

US00D869406S

(12) **United States Design Patent** (10) **Patent No.:** **US D869,406 S**
Minale et al. (45) **Date of Patent:** **** *Dec. 10, 2019**

(54) **SWITCH PLATE**

(71) Applicant: **Buster and Punch Limited**, Stamford (GB)

(72) Inventors: **Massimo Minale**, London (GB); **Iain Dulley**, Winchester (GB)

(73) Assignee: **Buster and Punch Limited**, Stamford (GB)

(*) Notice: This patent is subject to a terminal disclaimer.

(**) Term: **15 Years**

(21) Appl. No.: **29/663,810**

(22) Filed: **Sep. 19, 2018**

Related U.S. Application Data

(60) Division of application No. 29/617,045, filed on Sep. 11, 2017, now Pat. No. Des. 851,609, which is a continuation-in-part of application No. 29/588,290, filed on Dec. 20, 2016, now Pat. No. Des. 801,289, which is a division of application No. 29/527,388, filed on May 19, 2015, now Pat. No. Des. 776,628.

(30) **Foreign Application Priority Data**

Apr. 23, 2015	(EM)	002688093-0001
Apr. 23, 2015	(EM)	002688093-0002
Apr. 23, 2015	(EM)	002688093-0003
Apr. 23, 2015	(EM)	002688093-0004
Apr. 23, 2015	(EM)	002688093-0005
Apr. 23, 2015	(EM)	002688093-0006
Apr. 23, 2015	(EM)	002688093-0007
Apr. 23, 2015	(EM)	002688093-0008
Apr. 23, 2015	(EM)	002688093-0009
Apr. 23, 2015	(EM)	002688093-00010
Apr. 23, 2015	(EM)	002688093-00011
Apr. 23, 2015	(EM)	002688093-00012

(51) **LOC (12) Cl.** **13-03**

(52) **U.S. Cl.**

USPC **D13/169**

(58) **Field of Classification Search**

USPC D13/162, 169, 173, 177

CPC H01H 3/04; H01H 21/36; H01H 25/00;

H01H 25/04; H01H 25/06; H01H 23/00;

H01H 23/02; H01H 23/04; H01H 23/08;

H01H 23/14; H01H 23/146; H01H

23/148; H01H 23/16; H01H 23/162;

H01H 23/164; H01H 23/168; H01H

36/006; G05G 1/04

See application file for complete search history.

(56) **References Cited**

U.S. PATENT DOCUMENTS

1,857,379 A	5/1932	Hubbell
4,347,758 A	9/1982	Geil
D311,678 S	10/1990	Graef et al.

(Continued)

Primary Examiner — Selina Sikder

(74) *Attorney, Agent, or Firm* — Dascenzo Intellectual Property Law, P.C.; David S. D'Ascenzo

(57) **CLAIM**

The ornamental design for a switch plate, as shown and described.

DESCRIPTION

FIG. 1 is a perspective view of a switch plate according to the present invention.

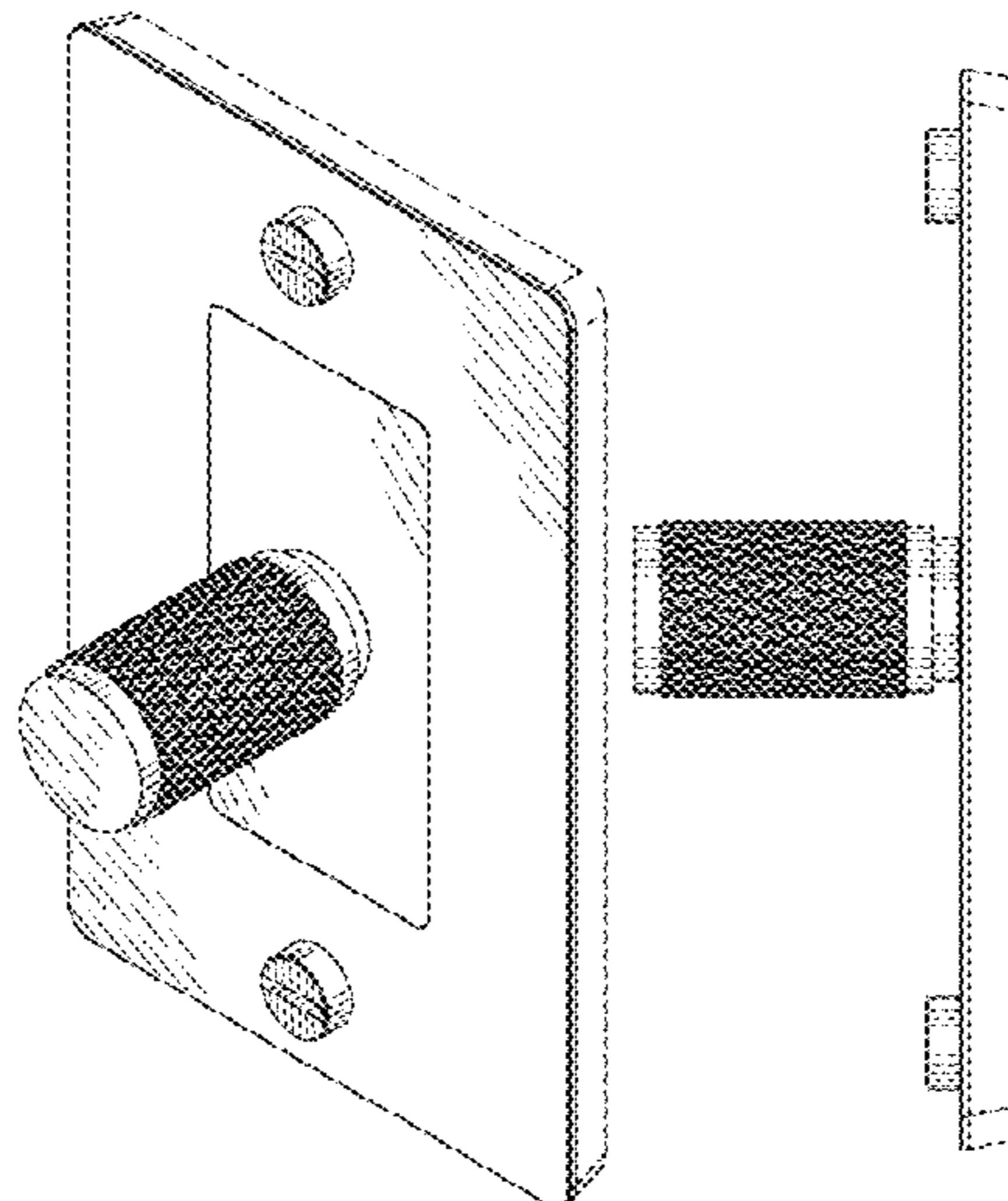
FIG. 2 is a front view of the switch plate of FIG. 1.

FIG. 3 is a top view of the switch plate of FIG. 1. The opposite bottom view is identical thereto; and,

FIG. 4 is a side view of the switch plate of FIG. 1. The opposite side view is identical thereto.

The rear of the switch plate of FIG. 1 forms no part of the claimed design. The dashed lines shown in the drawings illustrate portions of the switch plate that are not claimed and thus form no part of the claimed design.

1 Claim, 4 Drawing Sheets



(56)

References Cited

U.S. PATENT DOCUMENTS

6,392,170	B1	5/2002	Wechsler	
D475,024	S	5/2003	Bennett et al.	
D487,429	S	3/2004	Bennett et al.	
6,710,273	B1	3/2004	Skarlupka	
6,713,693	B1	3/2004	Sadowski	
D513,237	S	12/2005	Langner	
D633,875	S	3/2011	Bauer	
7,977,594	B1	7/2011	Miserendino	
D658,591	S	5/2012	Margolin et al.	
9,331,688	B2	5/2016	Moreau	
D776,628	S	1/2017	Minale et al.	
D801,289	S	10/2017	Minale et al.	
D829,076	S	9/2018	Dulley	D8/310
2005/0045464	A1	3/2005	Eisenhower	
2007/0272532	A1	11/2007	Pessina et al.	

* cited by examiner

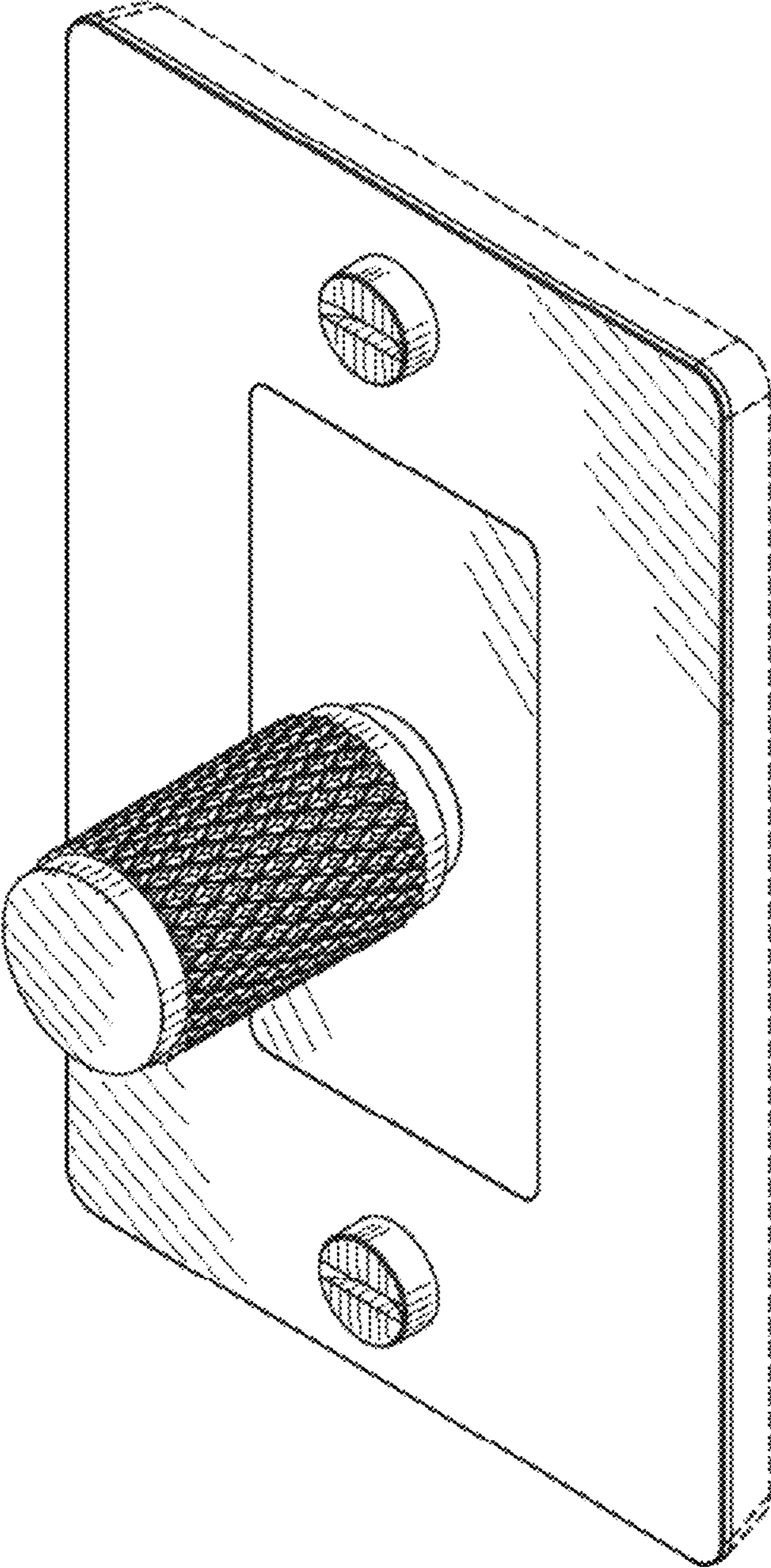


Fig. 1

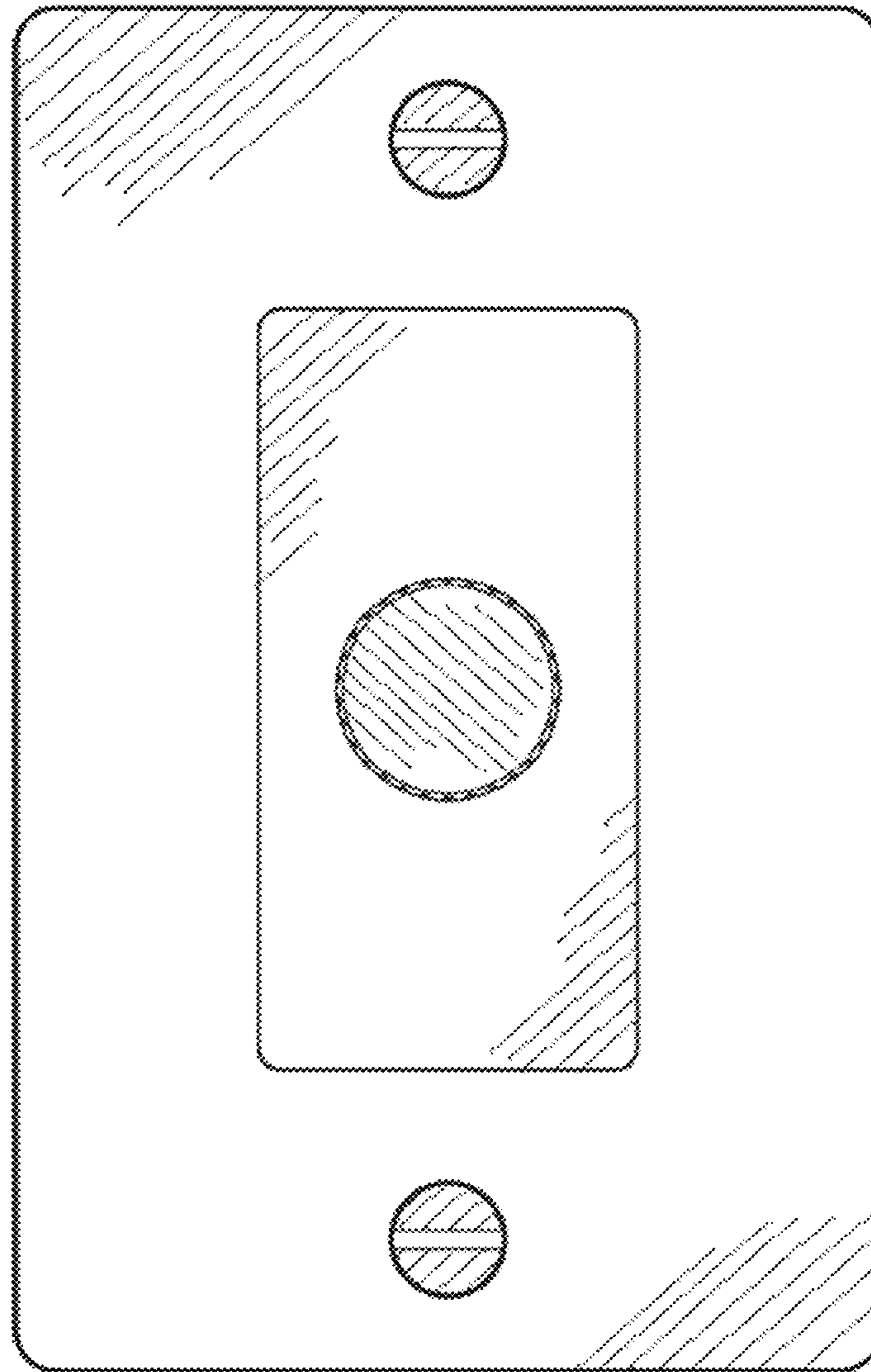


Fig. 2

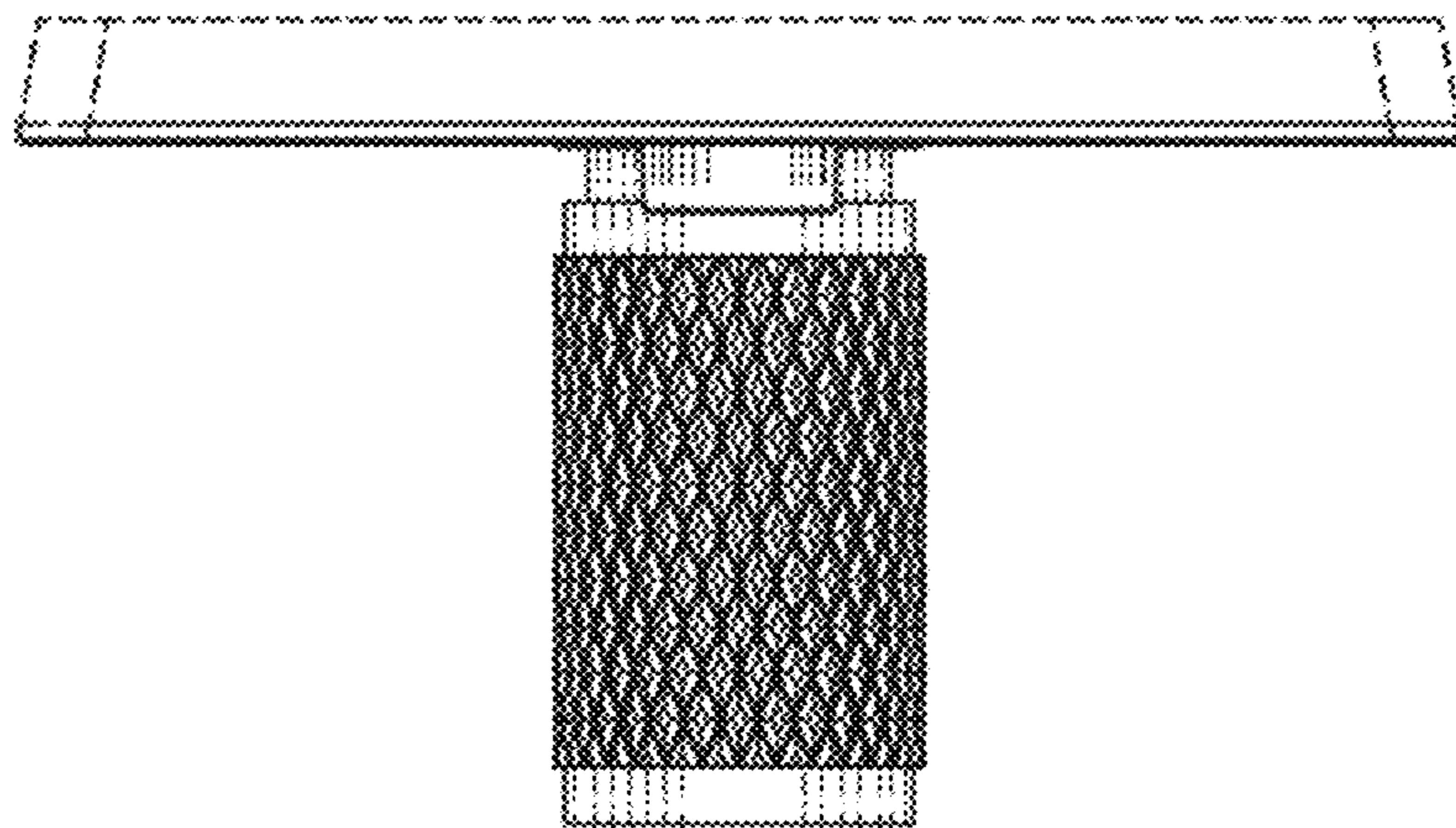


Fig. 3

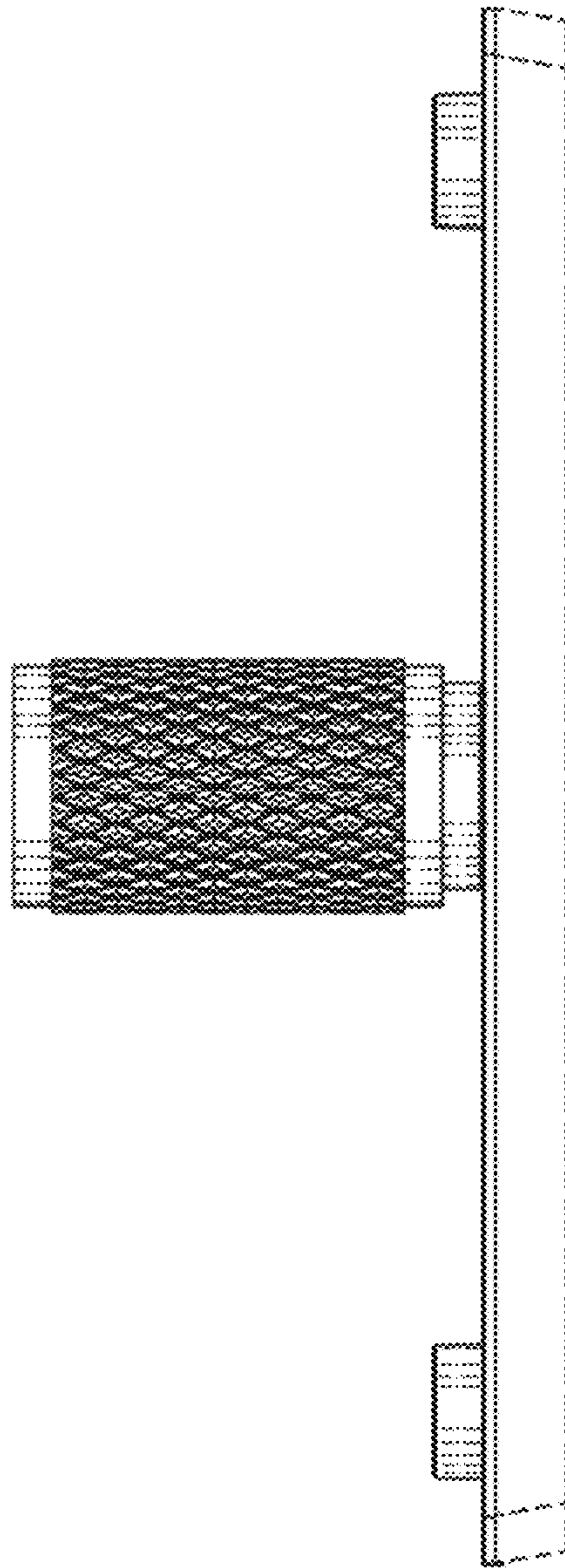


Fig. 4