



US00D869404S

(12) **United States Design Patent**  
**Ueda et al.**

(10) **Patent No.:** **US D869,404 S**

(45) **Date of Patent:** **\*\* Dec. 10, 2019**

(54) **GATEWAY**

(71) Applicant: **OMRON Corporation**, Kyoto-shi,  
Kyoto (JP)

(72) Inventors: **Hiroaki Ueda**, Otsu (JP); **Sadahito Otsu**, Kusatsu (JP); **Yoshimi Azuma**, Moriyama (JP); **Heita Nada**, Ritto (JP)

(73) Assignee: **OMRON Corporation**, Kyoto (JP)

(\*\*) Term: **15 Years**

(21) Appl. No.: **29/645,842**

(22) Filed: **Apr. 30, 2018**

(30) **Foreign Application Priority Data**

Nov. 24, 2017 (JP) ..... 2017-026209

(51) **LOC (12) Cl.** ..... **13-03**

(52) **U.S. Cl.**  
USPC ..... **D13/162.1**

(58) **Field of Classification Search**  
USPC ..... D13/123, 162, 162.1, 184  
CPC ..... G05B 9/02; G05B 19/05; G05B 19/054;  
G05B 19/056; G06F 1/182; G06F 1/183;  
H05K 7/1462; H05K 7/1467; H05K  
7/1474

See application file for complete search history.

(56) **References Cited**

**U.S. PATENT DOCUMENTS**

D307,263 S *	4/1990	Ishida .....	D13/162.1
D309,446 S *	7/1990	Russell .....	D13/162.1
D325,900 S *	5/1992	Shimizu .....	D13/162.1
D482,663 S *	11/2003	Droulin .....	D13/162.1
D527,349 S *	8/2006	Lee .....	D13/162.1
D559,205 S *	1/2008	Takahashi .....	D13/162.1
D770,975 S *	11/2016	Nada .....	D13/110
9,699,930 B2 *	7/2017	Miura .....	H05K 7/1474
D815,606 S *	4/2018	Nada .....	D13/162.1

10,194,553 B1 *	1/2019	Chakraborty .....	H01R 13/6272
2007/0073912 A1 *	3/2007	Ozaki .....	G05B 19/054 710/8
2016/0170922 A1 *	6/2016	Rose .....	G05B 19/054 710/305
2016/0205801 A1 *	7/2016	Miura .....	H05K 7/1474 361/679.01
2017/0244197 A1 *	8/2017	Takahashi .....	H01R 13/514
2018/0098453 A1 *	4/2018	Ueda .....	H01R 13/2492
2018/0132382 A1 *	5/2018	Baran .....	F04D 25/0613

**OTHER PUBLICATIONS**

Google image; GE Automation RX3i PLC, prior to Apr. 30, 2017, 1 pg.; [https://www.google.com/search?hl=en&biw=1536&bih=813&fbs=cd%3A1%2Ccd\\_max%3A4%2F30%2F2017&tbm=isch&sa=1&ei=1QO2XPrPNp\\_DI\\_Qb5npSQBg&q=programmable+automation+controller&oq=automation+controller&gs\\_l=img.1.1.0j0i5i30i4.201431.217966..221246...2.0.\\*](https://www.google.com/search?hl=en&biw=1536&bih=813&fbs=cd%3A1%2Ccd_max%3A4%2F30%2F2017&tbm=isch&sa=1&ei=1QO2XPrPNp_DI_Qb5npSQBg&q=programmable+automation+controller&oq=automation+controller&gs_l=img.1.1.0j0i5i30i4.201431.217966..221246...2.0.*)

(Continued)

*Primary Examiner* — Selina Sikder

(74) *Attorney, Agent, or Firm* — Capitol City TechLaw

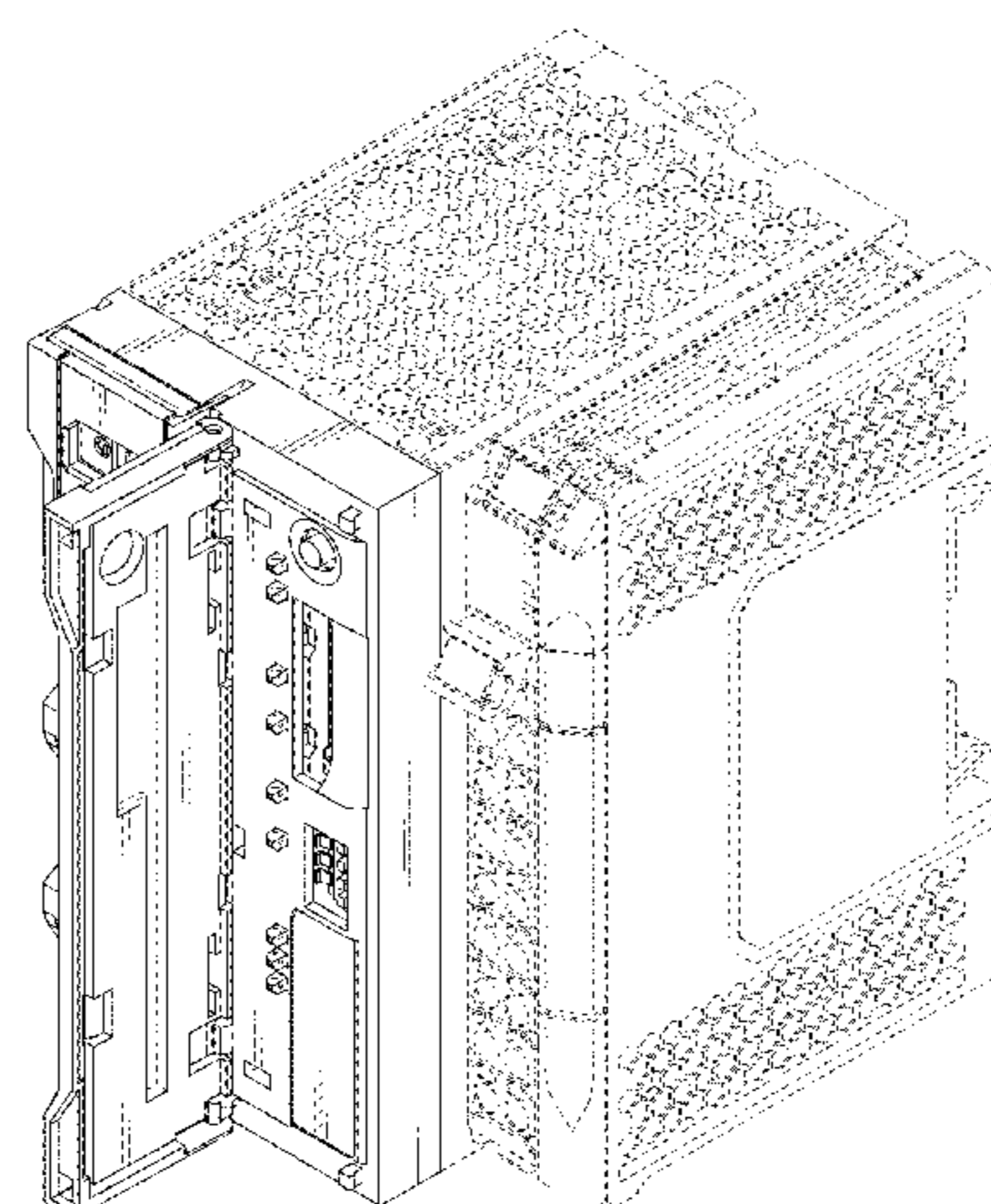
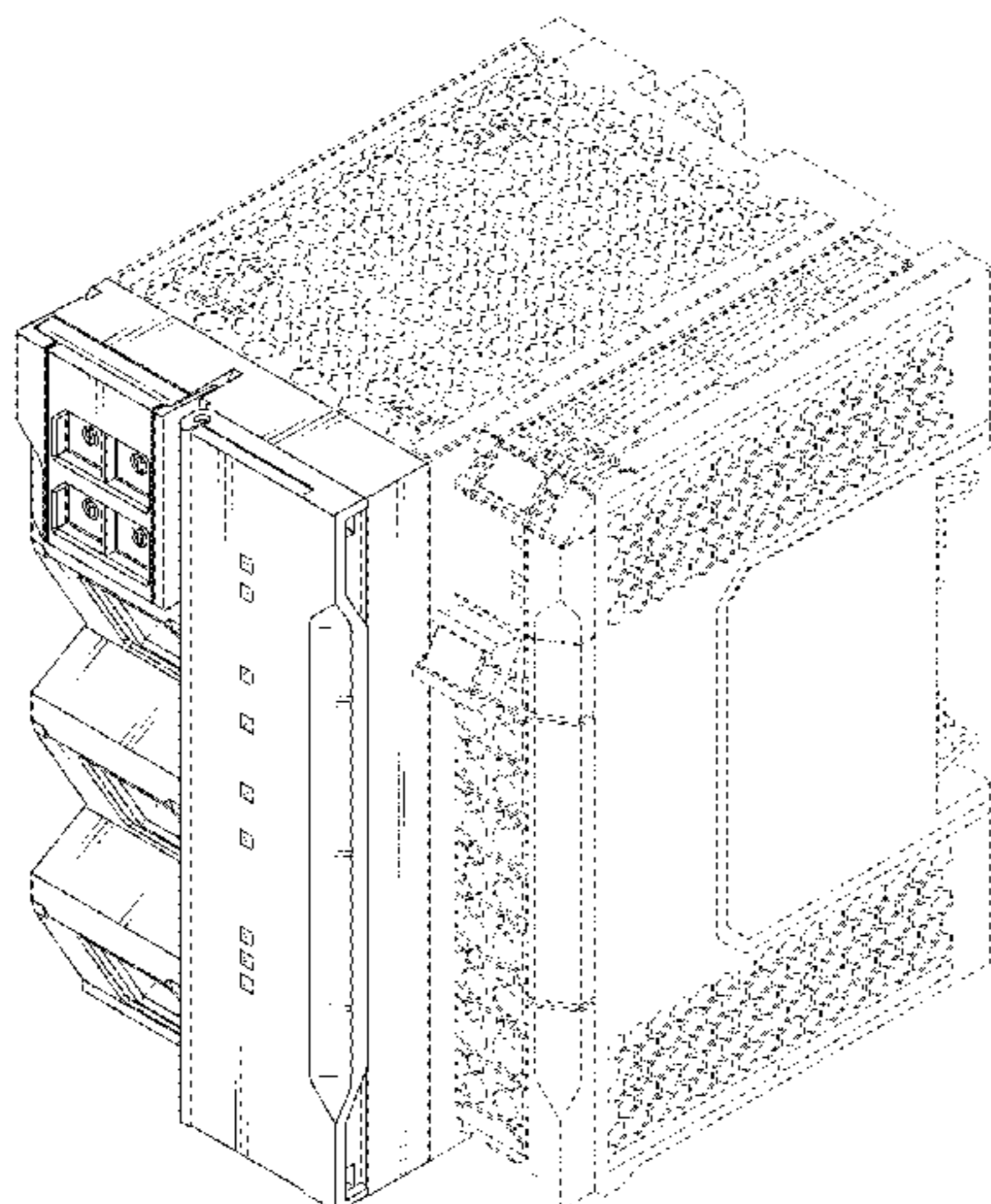
(57) **CLAIM**

The ornamental design for a gateway, as shown and described.

**DESCRIPTION**

FIG. 1 is a top, front, and right side perspective view of a gateway showing our new design; FIG. 2 is a front view thereof; FIG. 3 is a left side view thereof; FIG. 4 is a right side view thereof; FIG. 5 is a top view thereof; FIG. 6 is a bottom view thereof; and, FIG. 7 is a top, front, and right side perspective view in an opened condition. The broken lines in the figures show portions of the gateway that form no part of the claimed design.

**1 Claim, 5 Drawing Sheets**



(56)

**References Cited**

OTHER PUBLICATIONS

Google image; 5 levels of programmable logic controller, prior to Apr. 30, 2017., 1 pg.; [https://www.google.com/search?hl=en&biw=1536&bih=813&tbs=cdr%3A1%2Ccd\\_max%3A5%2F24%2F2017&tbm=isch&sa=1&ei=8Ae2XN7oAYOc\\_QbMp6WwBQ&q=programmable+logic+controller&oq=pr&gs\\_l=img.1.1.0i6713j017.9500.9974..14654..0.0..0.55.\\*](https://www.google.com/search?hl=en&biw=1536&bih=813&tbs=cdr%3A1%2Ccd_max%3A5%2F24%2F2017&tbm=isch&sa=1&ei=8Ae2XN7oAYOc_QbMp6WwBQ&q=programmable+logic+controller&oq=pr&gs_l=img.1.1.0i6713j017.9500.9974..14654..0.0..0.55.*)

Google image; CompactLogix 5370 L3 Programmable Automation Controller, prior to Apr. 30, 2017; 1pg. [https://www.google.com/search?hl=en&biw=1536&bih=813&tbs=cdr%3A1%2Ccd\\_max%3A5%2F24%2F2017&tbm=isch&sa=1&ei=Zwq2XLqLNMm7ggfGjLLIBw&q=programmable+automation+controller&oq=programmable+automation+controller&gs\\_l=im.\\*](https://www.google.com/search?hl=en&biw=1536&bih=813&tbs=cdr%3A1%2Ccd_max%3A5%2F24%2F2017&tbm=isch&sa=1&ei=Zwq2XLqLNMm7ggfGjLLIBw&q=programmable+automation+controller&oq=programmable+automation+controller&gs_l=im.*)

Google image, VIPA Programmable Logic Controller, prior to Apr. 30, 2018; 1 pg.; [https://www.google.com/search?hl=en&biw=1536&bih=813&tbs=cdr%3A1%2Ccd\\_max%3A4%2F30%2F2018&tbm=isch&sa=1&ei=gA22XK0tDouzggfW\\_5\\_wBQ&q=programmable+logic+controller&oq=programmable+&gs\\_l=img.1.1.0i67j016j0i67j012.182237.211965..216634.\\*](https://www.google.com/search?hl=en&biw=1536&bih=813&tbs=cdr%3A1%2Ccd_max%3A4%2F30%2F2018&tbm=isch&sa=1&ei=gA22XK0tDouzggfW_5_wBQ&q=programmable+logic+controller&oq=programmable+&gs_l=img.1.1.0i67j016j0i67j012.182237.211965..216634.*)

Hiroaki Ueda et al., Programmable Controller, Design U.S. Appl. No. 29/645,818, filed Apr. 30, 2018, in the USPTO.

\* cited by examiner

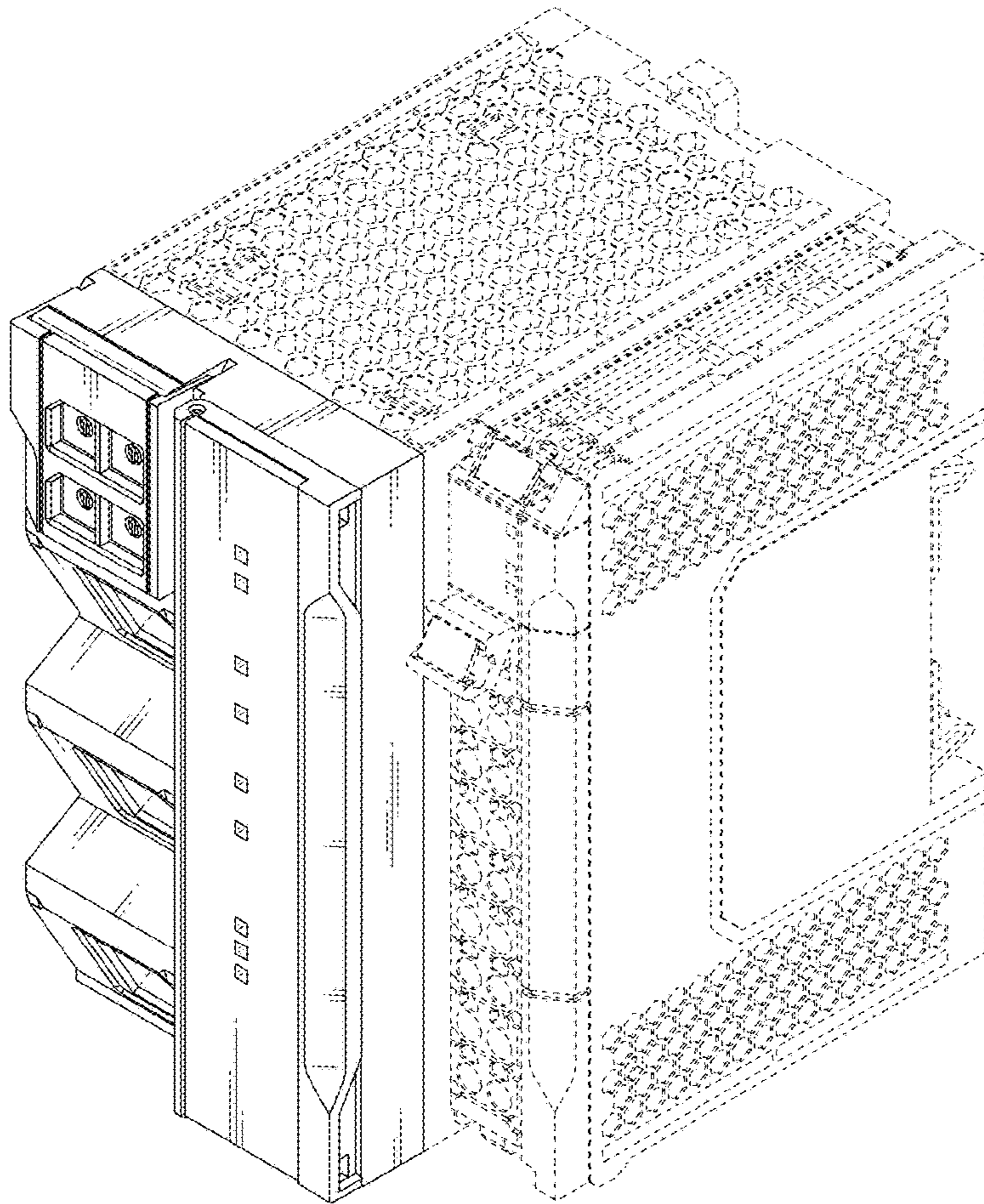


FIG. 1

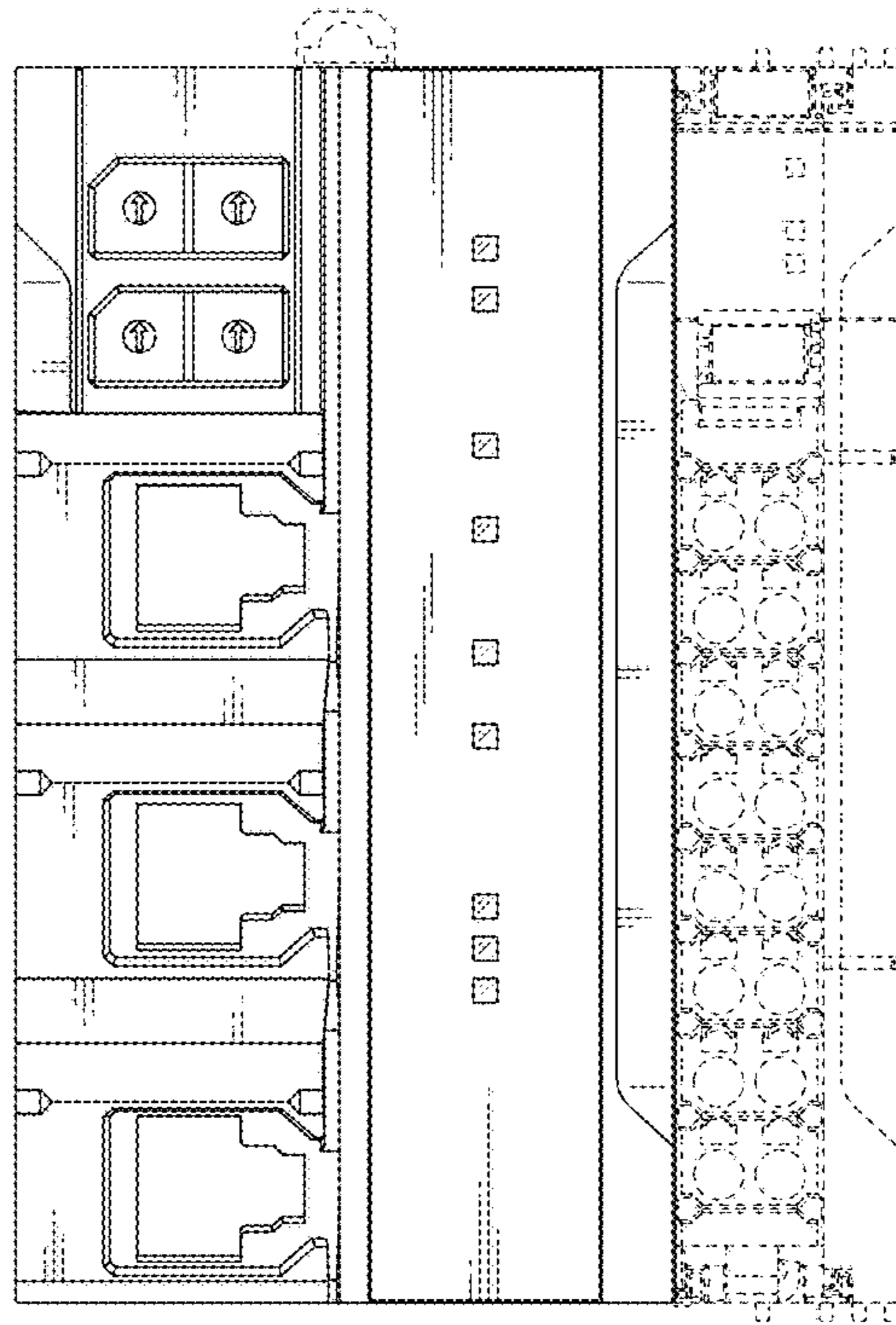


FIG. 2

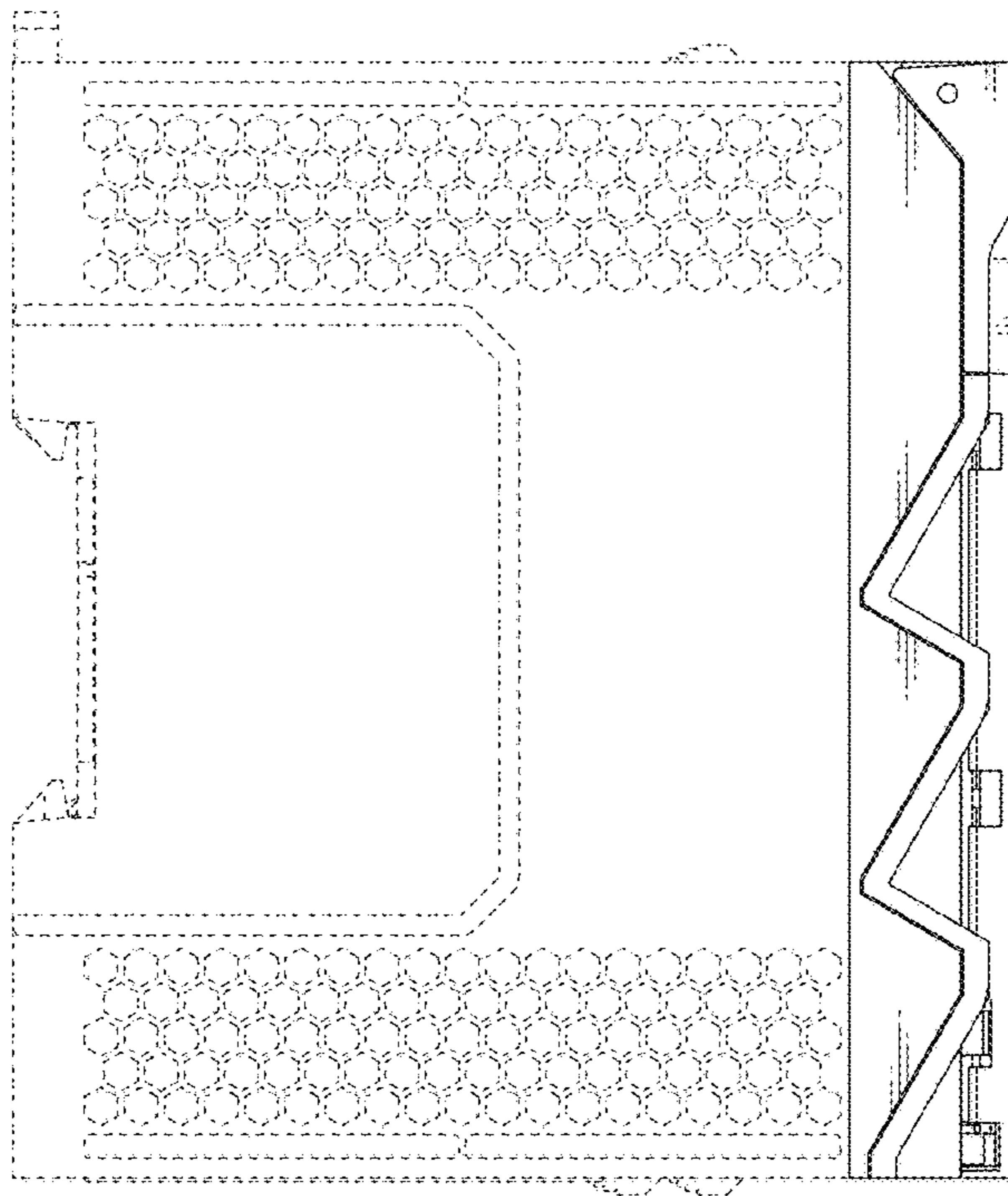


FIG. 3

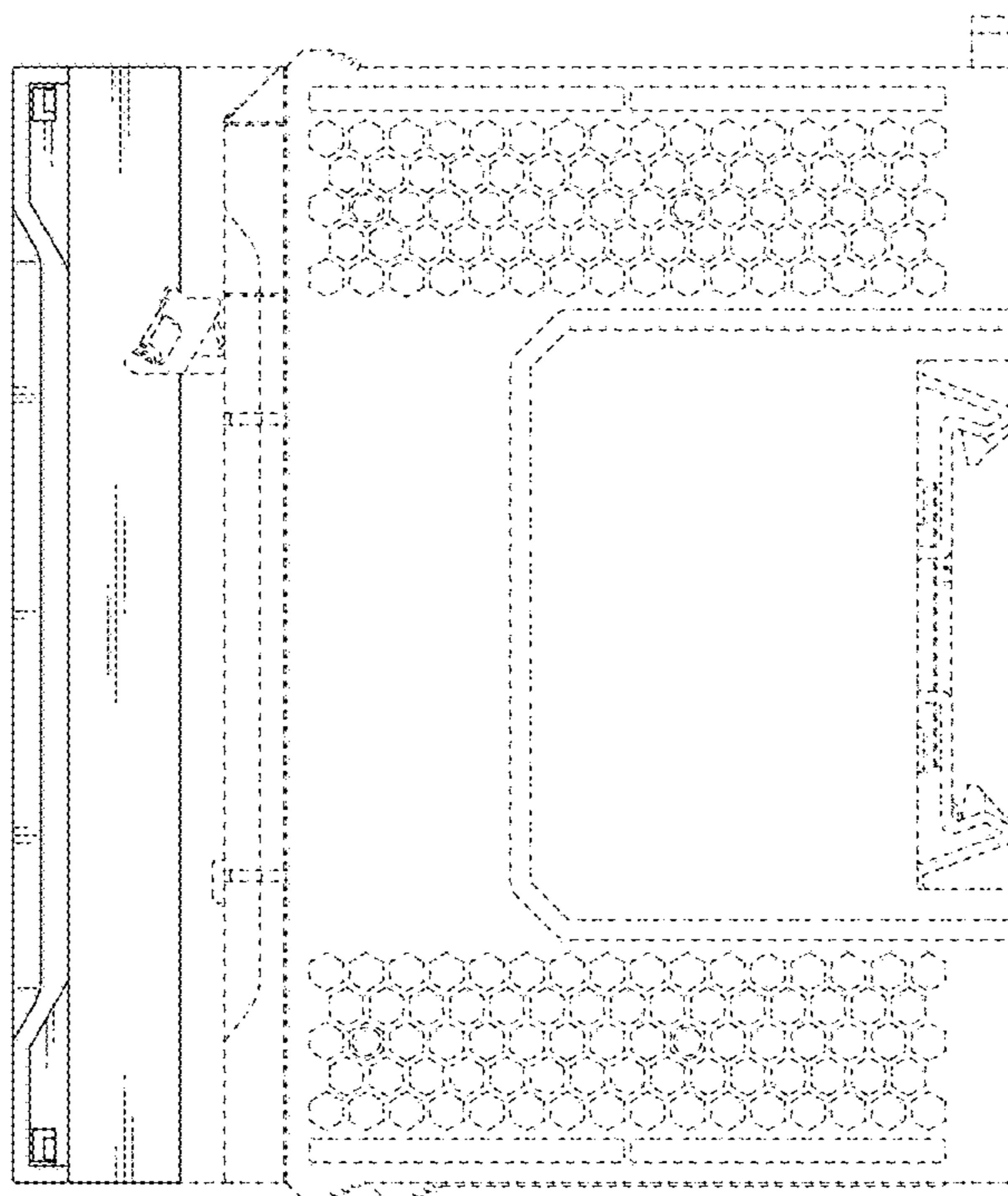


FIG. 4

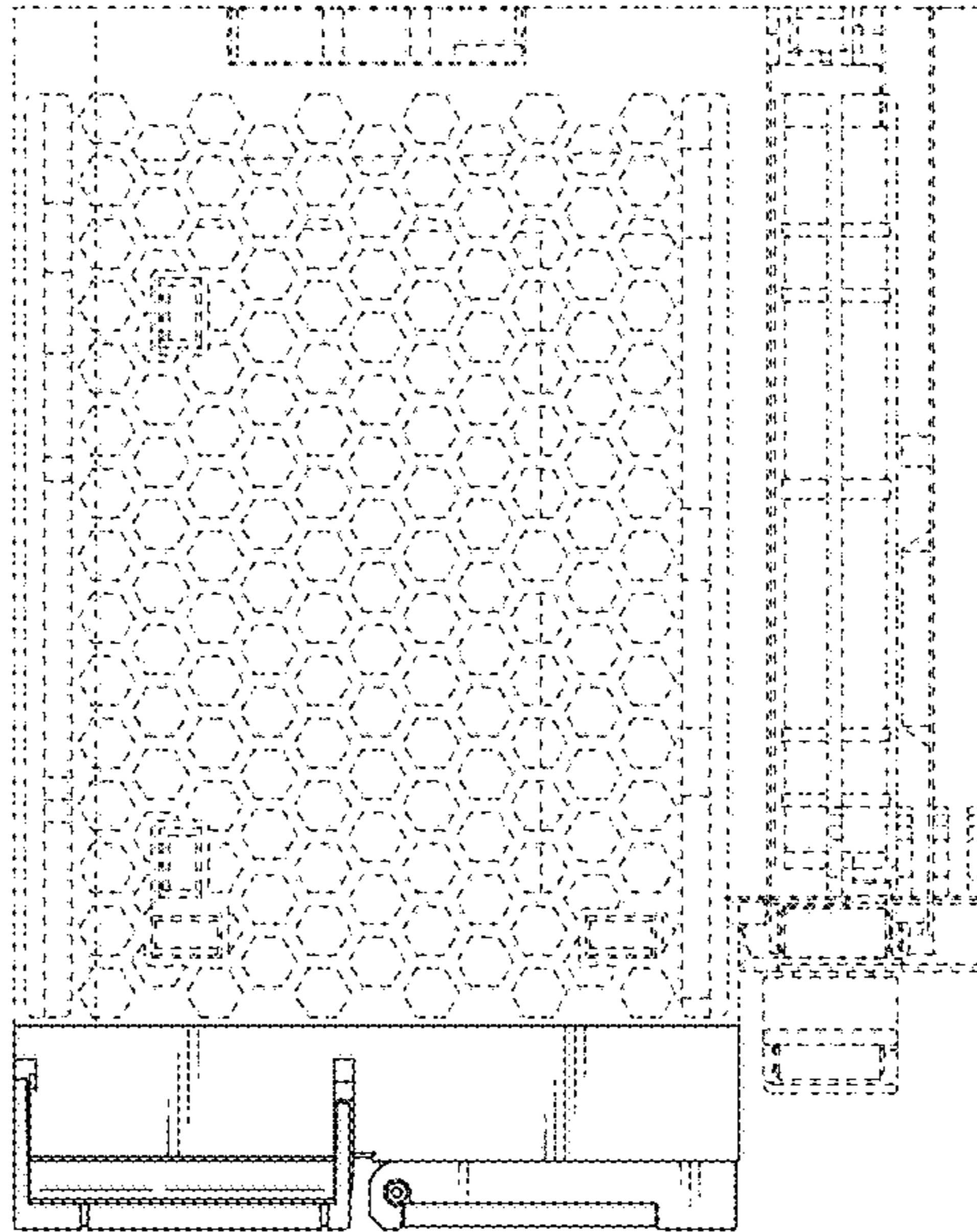


FIG. 5

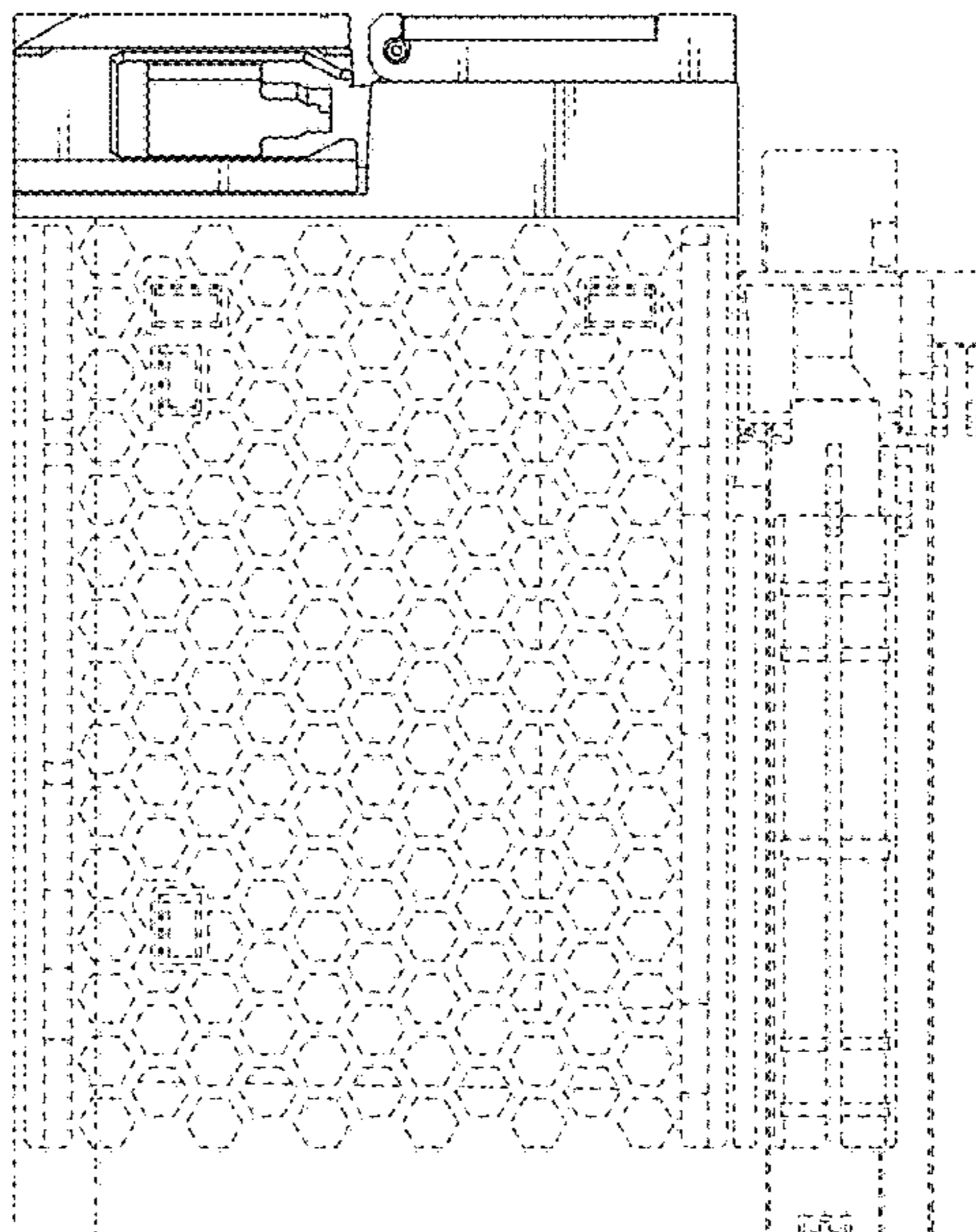


FIG. 6

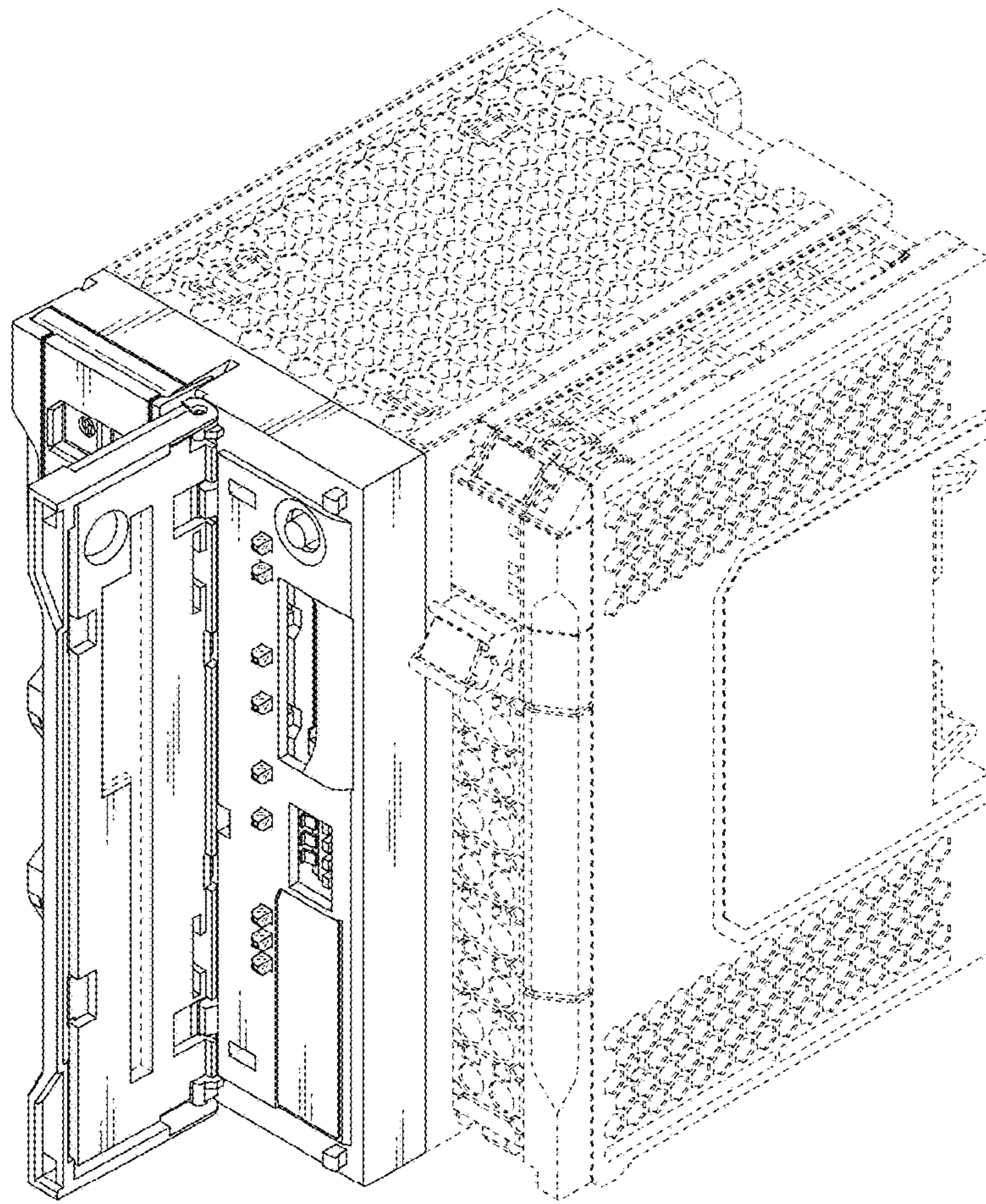


FIG. 7

UNITED STATES PATENT AND TRADEMARK OFFICE  
**CERTIFICATE OF CORRECTION**

PATENT NO. : D869,404 S  
APPLICATION NO. : 29/645842  
DATED : December 10, 2019  
INVENTOR(S) : Heroaki Ueda et al.

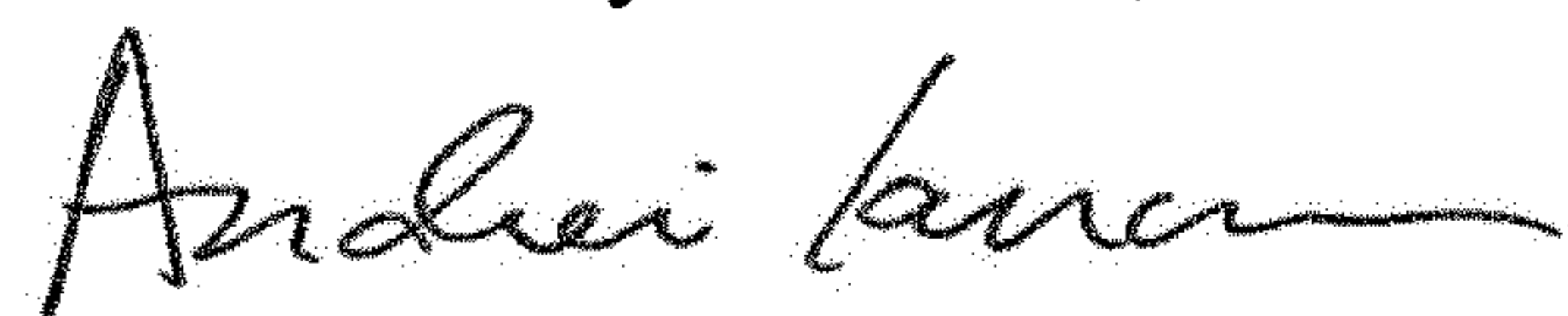
Page 1 of 1

It is certified that error appears in the above-identified patent and that said Letters Patent is hereby corrected as shown below:

On the Title Page

After item (73), insert --(\*) Notice: This patent is subject to a terminal disclaimer.--

Signed and Sealed this  
Third Day of March, 2020



Andrei Iancu  
*Director of the United States Patent and Trademark Office*