



US00D869402S

(12) **United States Design Patent**  
**Sisley et al.**

(10) **Patent No.:** **US D869,402 S**

(45) **Date of Patent:** **\*\* Dec. 10, 2019**

(54) **CIRCUIT BREAKER WITH A FRONT PANEL**

(57) **CLAIM**

(71) Applicant: **Eaton Intelligent Power Limited**,  
Dublin (IE)

The ornamental design for a circuit breaker with a front panel, as shown and described.

(72) Inventors: **James Patrick Sisley**, Baden, PA (US);  
**James Leo Lagree**, Robinson  
Township, PA (US); **Chad Elliott  
Murff**, Coraopolis, PA (US); **Richard  
Paul Malingowski**, McDonald, PA  
(US); **Kelly Julia McCarthy**,  
Pittsburgh, PA (US)

**DESCRIPTION**

(73) Assignee: **Eaton Intelligent Power Limited**,  
Dublin (IE)

FIG. 1 is a front, side perspective view of a circuit breaker with a front panel showing our design;  
FIG. 2 is a front, side perspective, exploded view of the circuit breaker with a front panel shown in FIG. 1;  
FIG. 3 is a front view of the circuit breaker with a front panel shown in FIG. 1;  
FIG. 4 is a top view of the circuit breaker with a front panel shown in FIG. 1;  
FIG. 5 is a bottom view of the circuit breaker with a front panel shown in FIG. 1;  
FIG. 6 is a side view of the circuit breaker with a front panel shown in FIG. 1;  
FIG. 7 is an opposing side view of the circuit breaker with a front panel shown in FIG. 6;  
FIG. 8 is a front, side perspective view of another embodiment, illustrating a circuit breaker with a front panel showing our design;  
FIG. 9 is a front, side perspective, exploded view of the circuit breaker with a front panel shown in FIG. 8;  
FIG. 10 is a front view of the circuit breaker with a front panel shown in FIG. 8;  
FIG. 11 is a top view of the circuit breaker with a front panel shown in FIG. 8;  
FIG. 12 is a bottom view of the circuit breaker with a front panel shown in FIG. 8;  
FIG. 13 is a side view of the circuit breaker with a front panel shown in FIG. 8; and,  
FIG. 14 is an opposing side view of the circuit breaker with a front panel shown in FIG. 13.  
The broken line portions of the drawings is included to show portions of the article that form no part of the claimed design.

(\*\*) Term: **15 Years**

(21) Appl. No.: **29/591,666**

(22) Filed: **Jan. 23, 2017**

**Related U.S. Application Data**

(62) Division of application No. 29/517,913, filed on Feb. 18, 2015, now Pat. No. Des. 781,244.

(51) **LOC (12) Cl.** ..... **13-03**

(52) **U.S. Cl.**  
USPC ..... **D13/160**

(58) **Field of Classification Search**  
USPC ..... D13/118, 123, 154, 158-161, 173, 184,  
D13/199, 156, 177, 178

(Continued)

(56) **References Cited**

**U.S. PATENT DOCUMENTS**

3,148,356 A 9/1964 Hedden, Jr.  
4,503,408 A 3/1985 Mrenna et al.

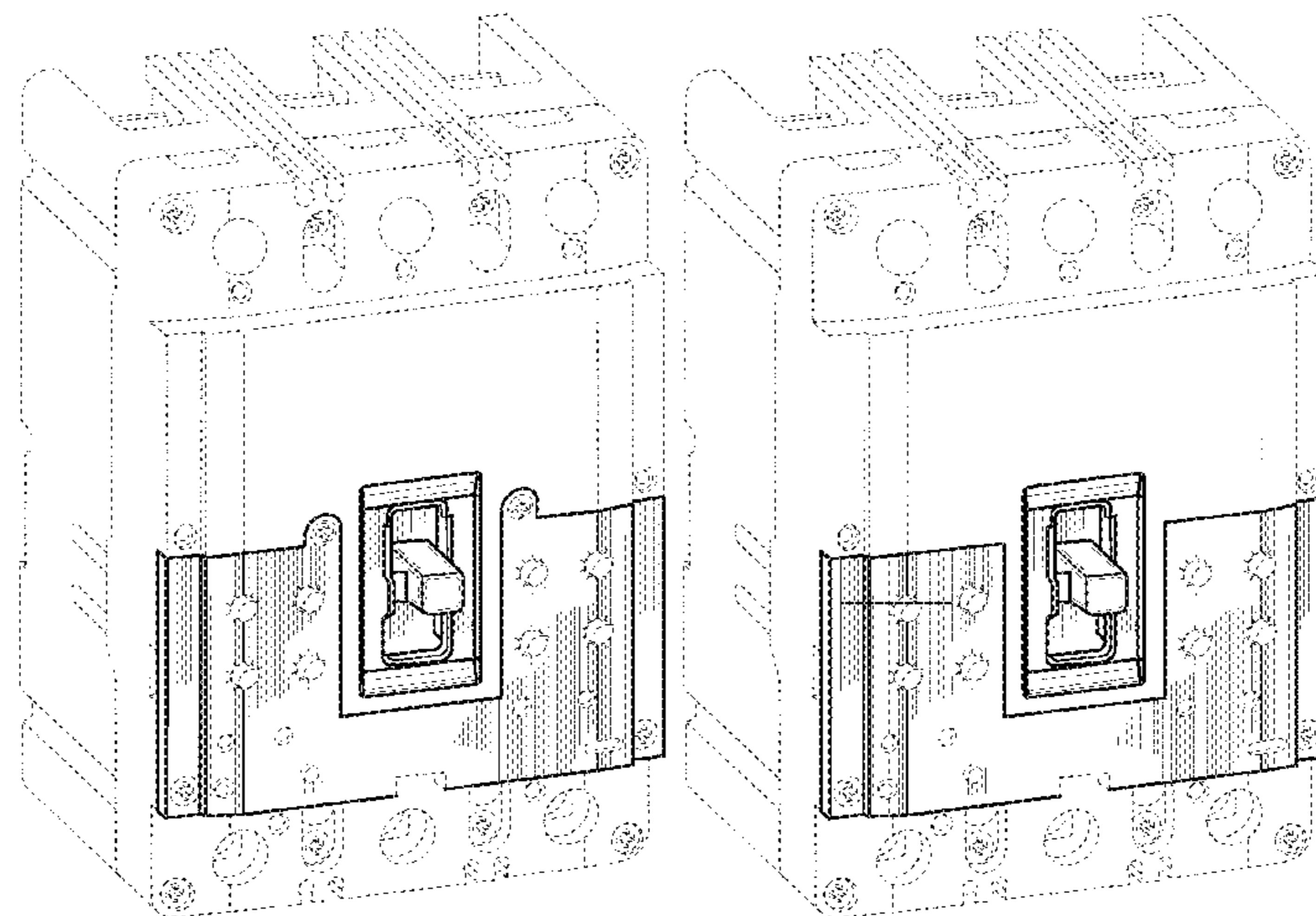
(Continued)

*Primary Examiner* — Angela J Lee

*Assistant Examiner* — Shawn T Gingrich

(74) *Attorney, Agent, or Firm* — Myers Bigel, P.A.

**1 Claim, 12 Drawing Sheets**



(58) **Field of Classification Search**  
 CPC ..... H01H 33/02; H01H 9/20; H01H 33/04;  
                   H01H 11/00; H01H 33/66; H01H  
                   71/0228; H01H 9/00; H01H 9/28; H01H  
                   33/00; H01H 33/08; H02G 3/083  
 See application file for complete search history.

6,052,047	A	4/2000	Malingowski et al.
D442,146	S	5/2001	Greenberg et al.
6,239,977	B1	5/2001	Price et al.
6,735,855	B2	5/2004	Akram et al.
D511,502	S	11/2005	Kim
D547,730	S	7/2007	Azzola et al.
7,365,624	B2	4/2008	Young et al.
D587,658	S	3/2009	Azzola et al.
D593,506	S	6/2009	Azzola et al.
D611,002	S	3/2010	Azzola et al.
D631,446	S	1/2011	Lanfear et al.
8,222,983	B2	7/2012	Zhou et al.
D687,387	S	8/2013	Besana et al.
D707,636	S	6/2014	Besana et al.
D713,801	S	9/2014	Johansson
D781,244	S *	3/2017	Sisley ..... D13/160
2011/0017581	A1	1/2011	Hardin et al.
2015/0122626	A1	5/2015	Cho
2019/0164711	A1 *	5/2019	Caffro ..... H01B 7/0045
2019/0164713	A1 *	5/2019	Devine ..... H01H 71/123

(56) **References Cited**  
 U.S. PATENT DOCUMENTS

4,654,472	A	3/1987	Goldfarb
4,736,174	A	4/1988	Castonguay et al.
4,786,885	A	11/1988	Morris et al.
4,830,620	A	5/1989	Marks et al.
5,117,211	A	5/1992	Morgan et al.
5,204,798	A	4/1993	Scott
5,583,741	A	12/1996	Dosmo et al.
5,607,313	A	3/1997	Nyman
5,943,216	A	8/1999	Schmidt

\* cited by examiner

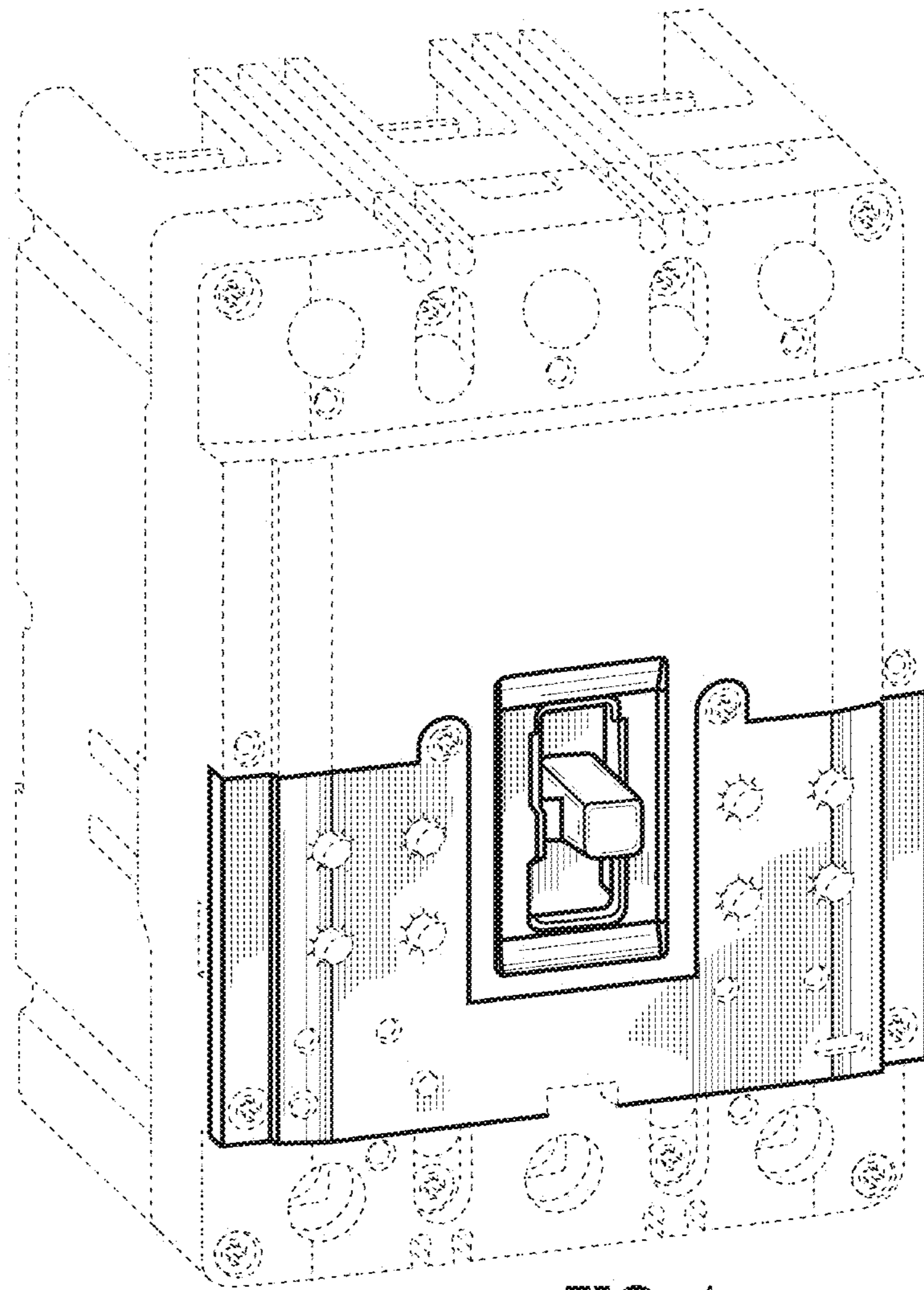


FIG. 1



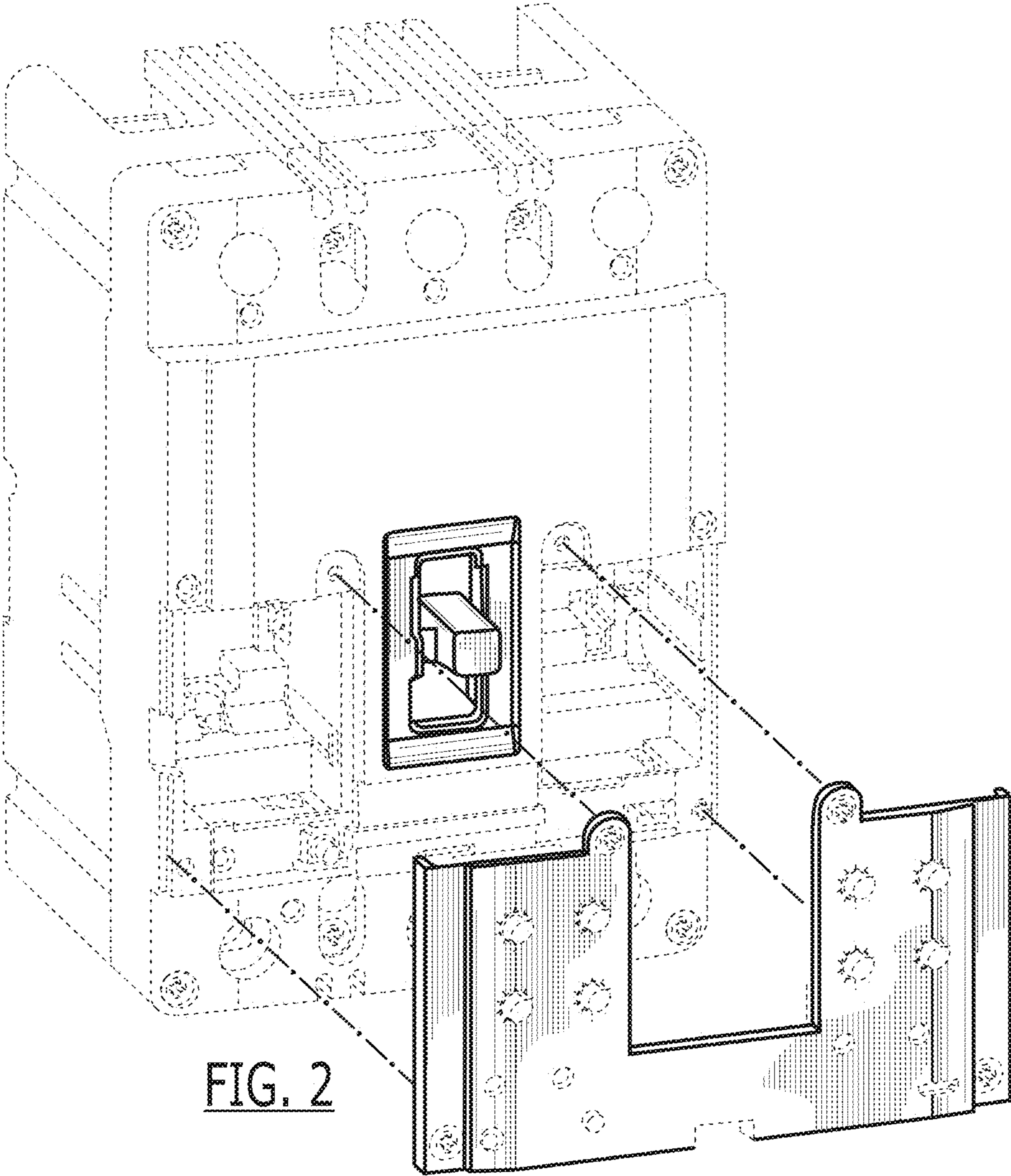


FIG. 2

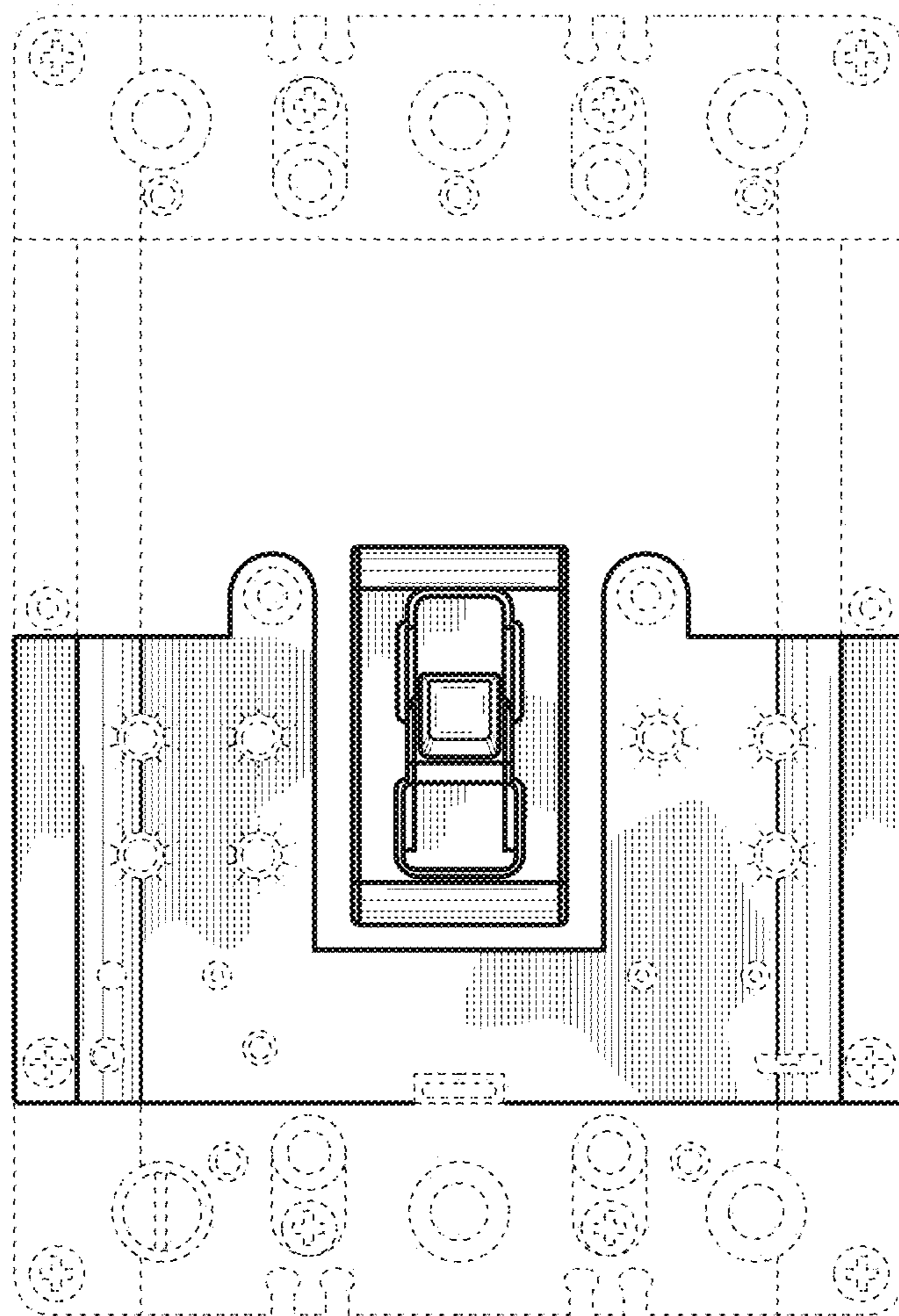
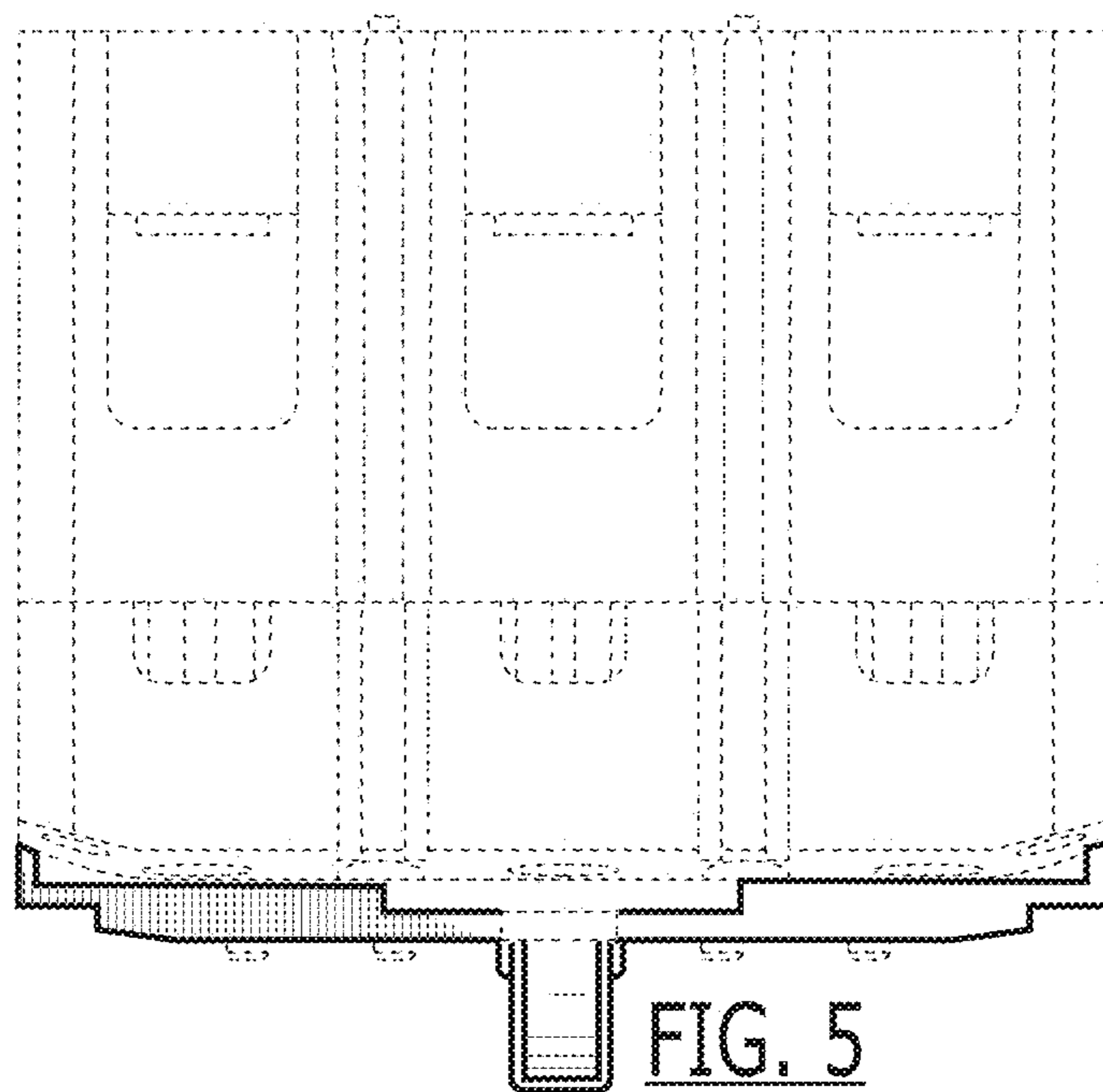
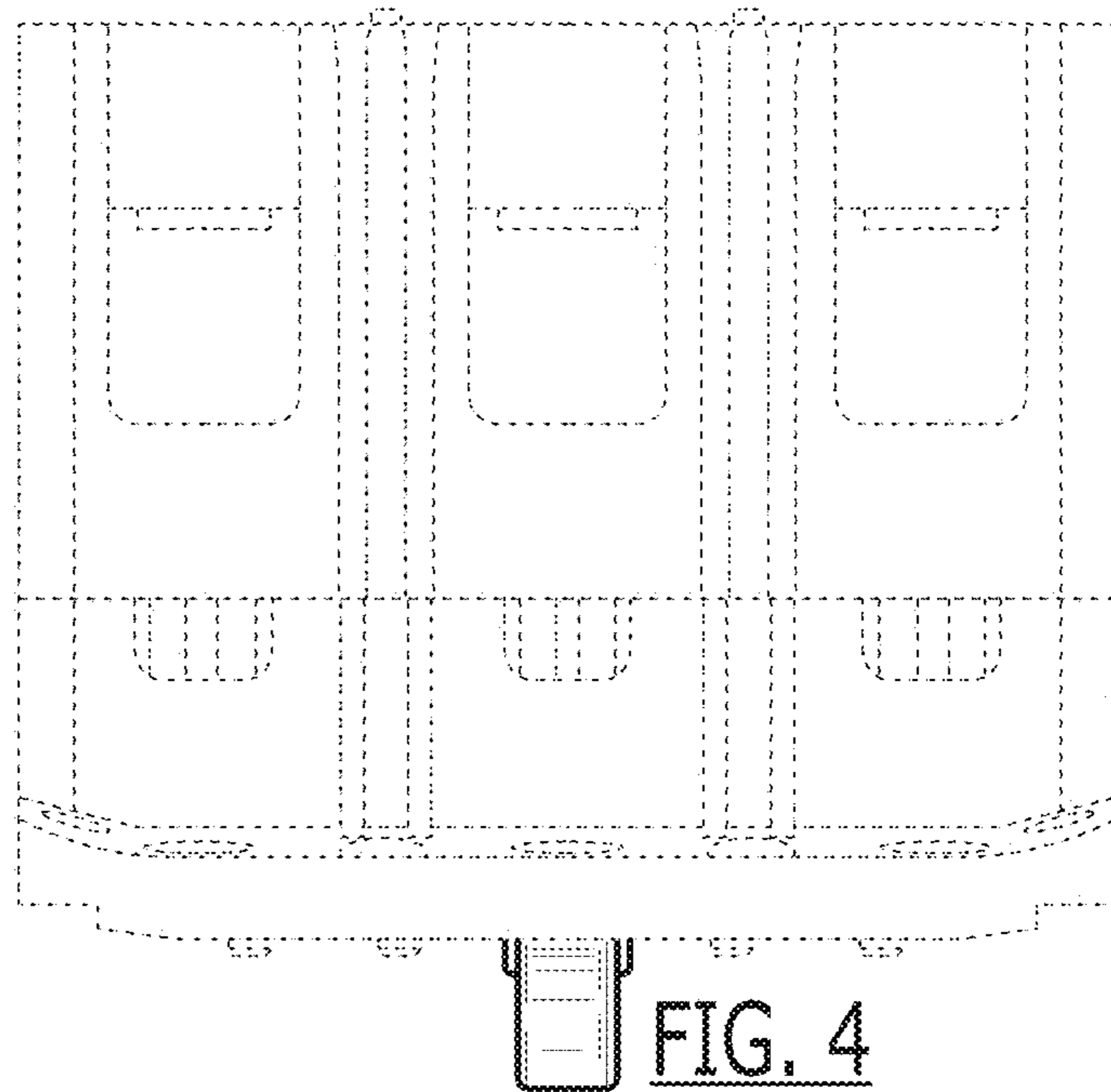


FIG. 3



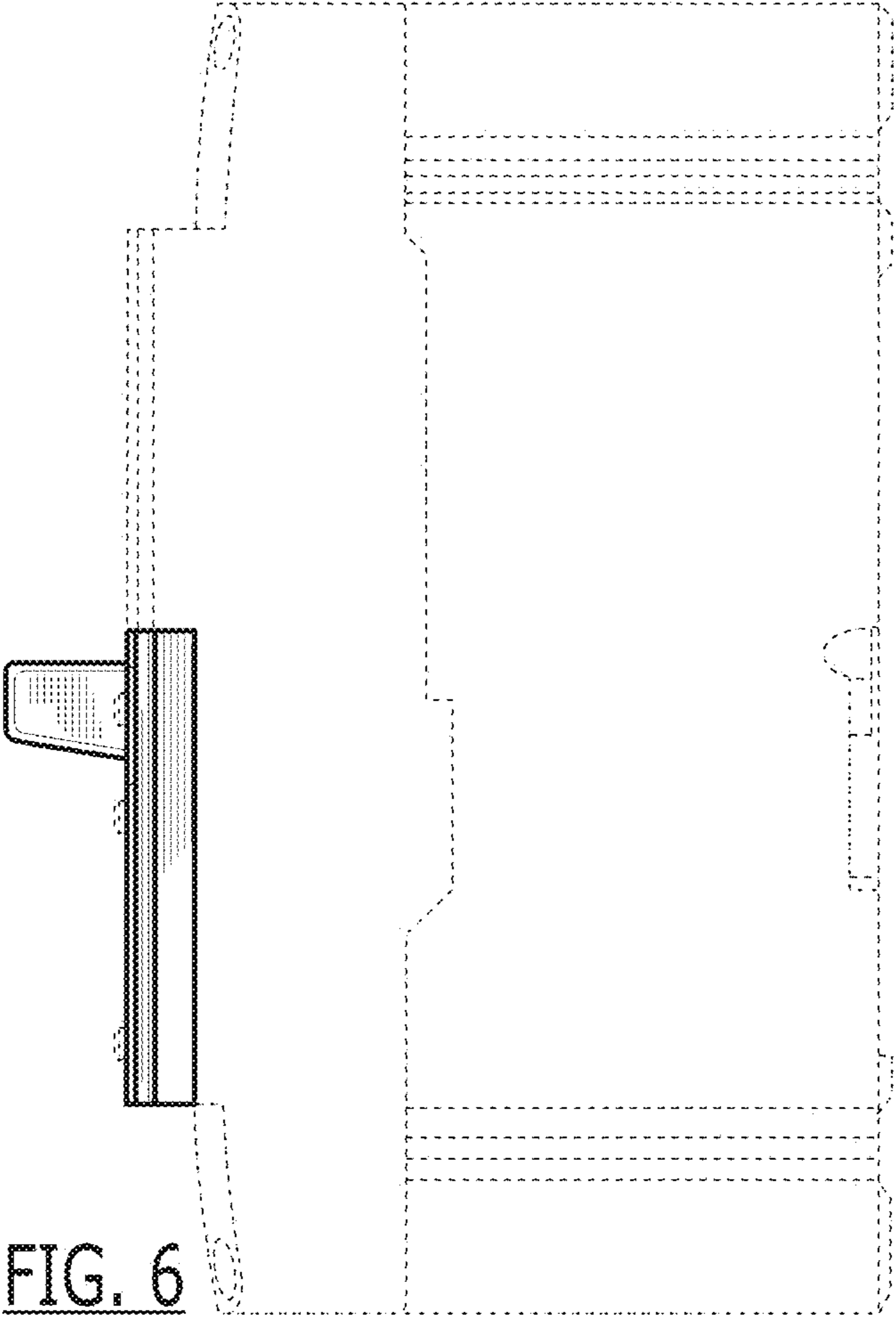
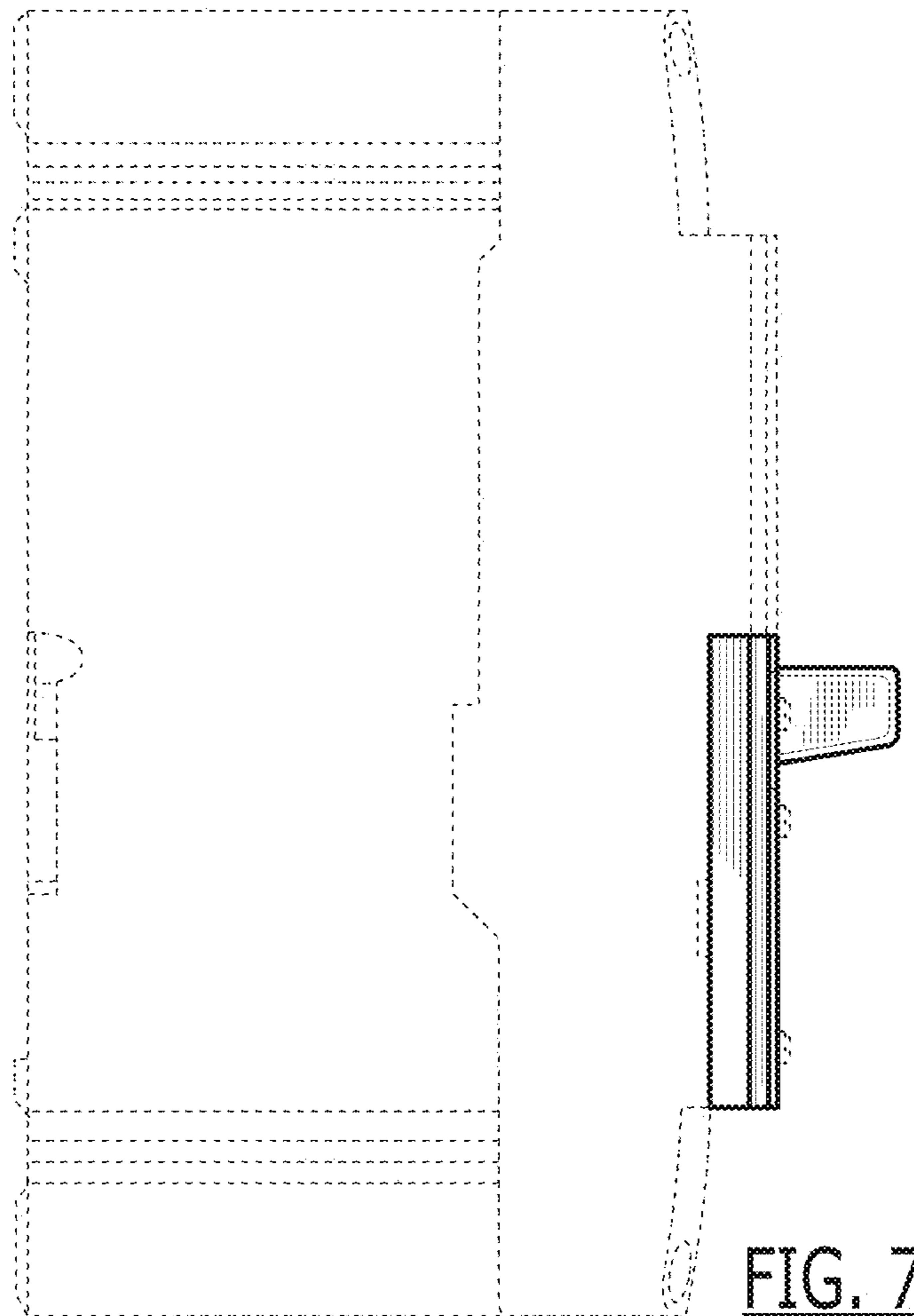


FIG. 6





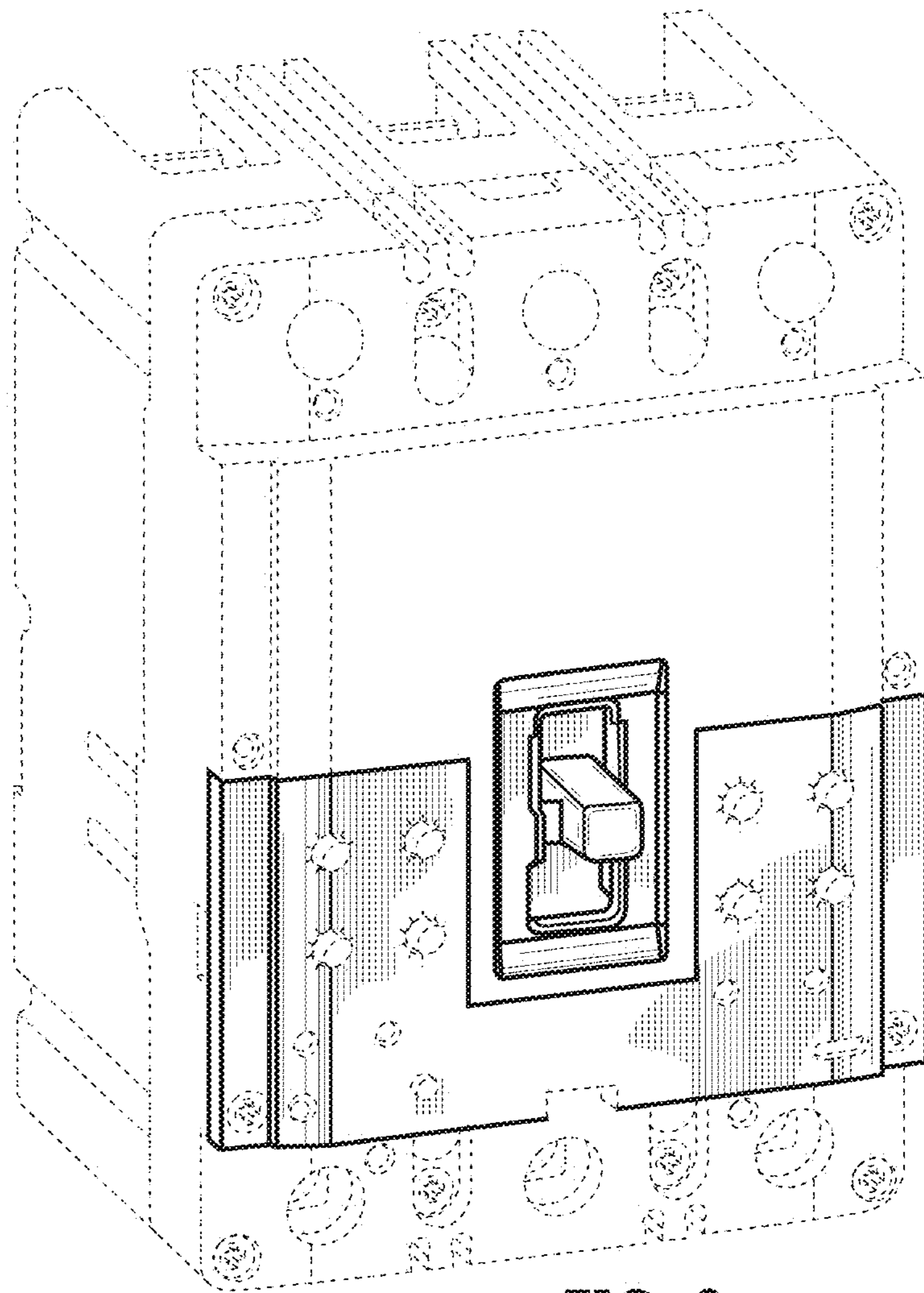
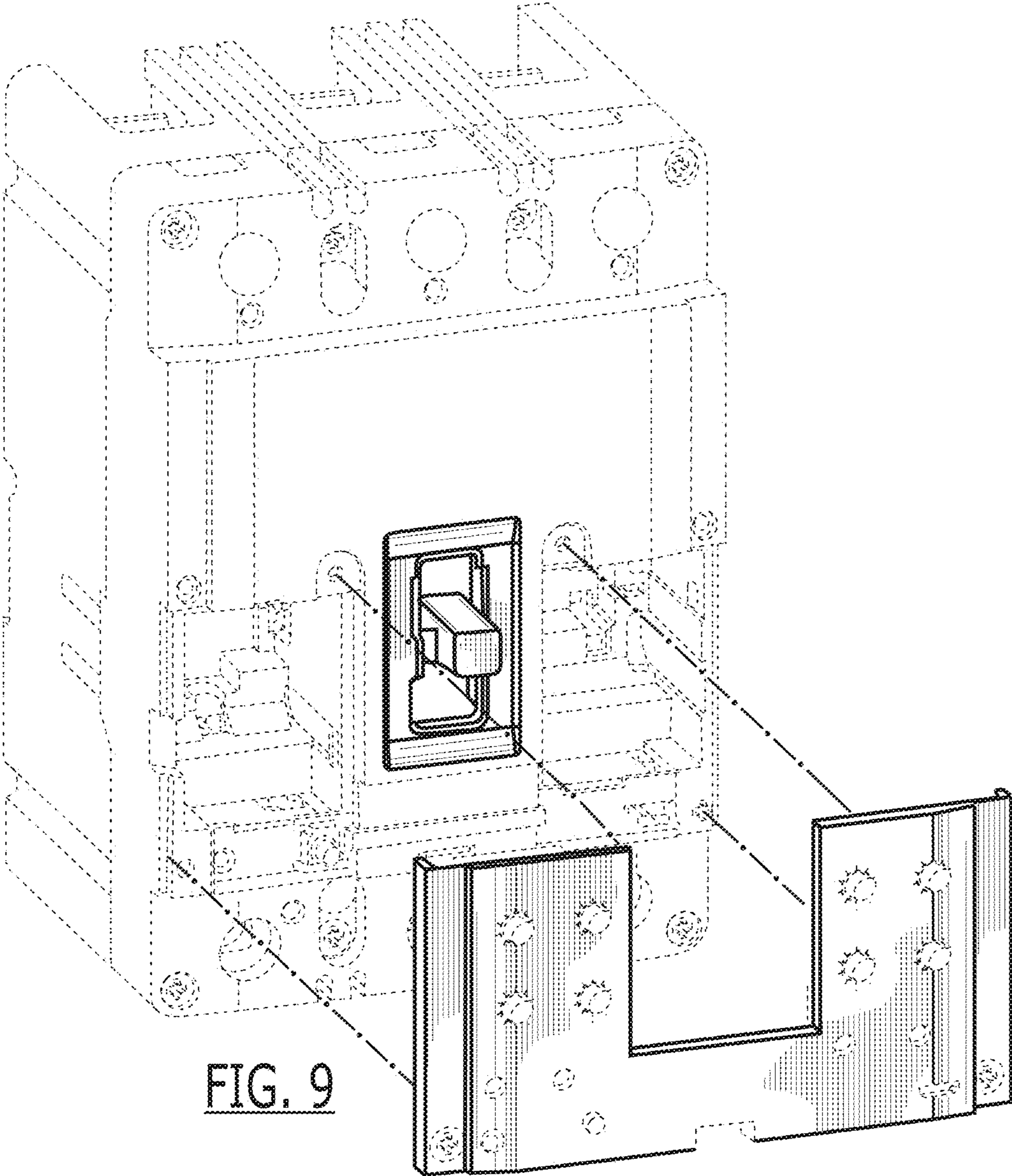


FIG. 8



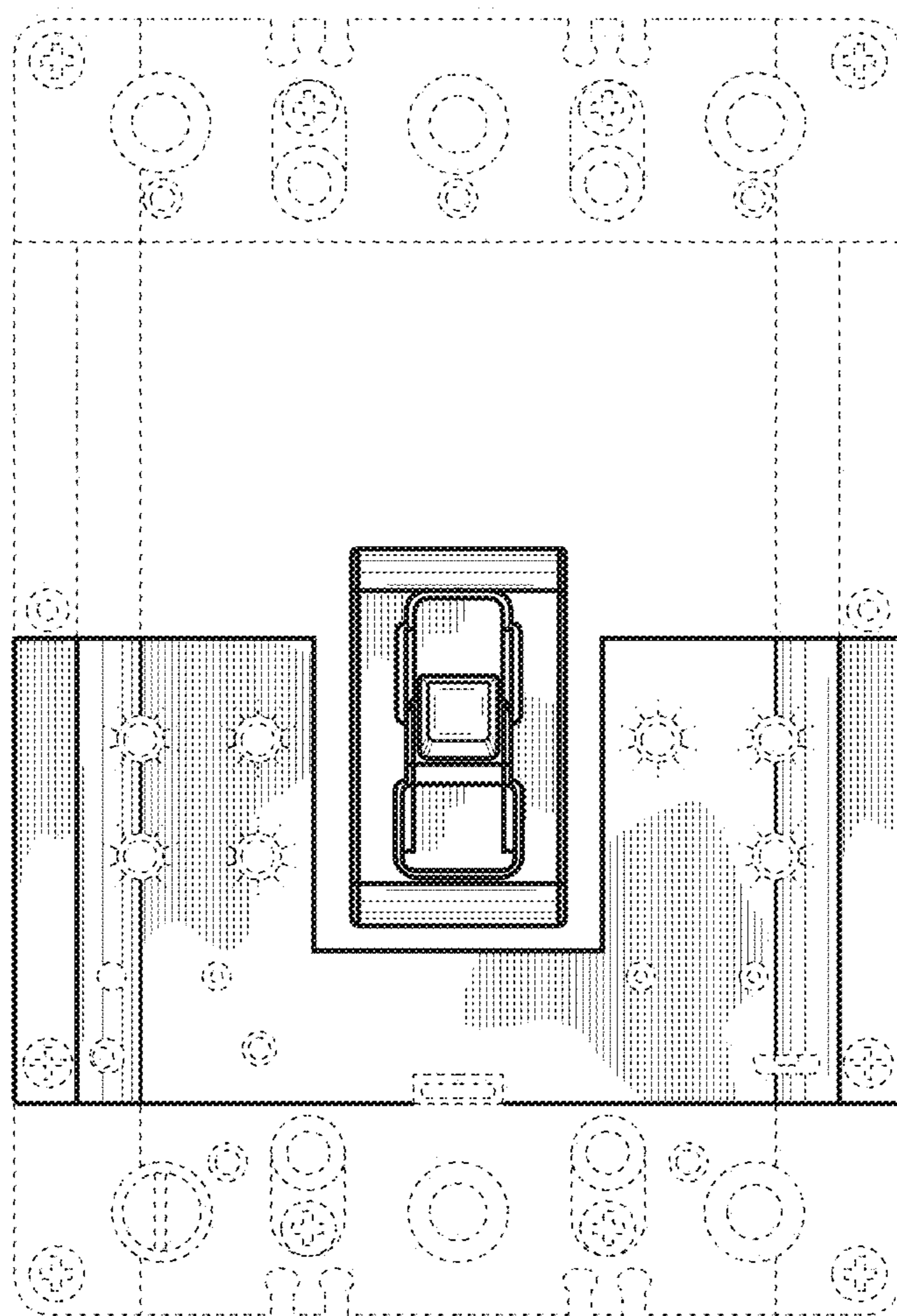


FIG. 10

