



US00D869401S

(12) **United States Design Patent**  
**Sakurai et al.**

(10) **Patent No.:** **US D869,401 S**

(45) **Date of Patent:** **\*\* Dec. 10, 2019**

(54) **ELECTROMAGNETIC CONTACTOR**

(71) Applicant: **FUJI ELECTRIC FA COMPONENTS & SYSTEMS CO., LTD.**, Tokyo (JP)

(72) Inventors: **Yuya Sakurai**, Saitama (JP); **Yasuhiro Naka**, Saitama (JP); **Hideo Adachi**, Saitama (JP); **Koujun Konishi**, Saitama (JP); **Mitsuya Itou**, Saitama (JP)

(73) Assignee: **FUJI ELECTRIC FA COMPONENTS & SYSTEMS CO., LTD.**, Tokyo (JP)

(\*\*) Term: **15 Years**

(21) Appl. No.: **29/665,303**

(22) Filed: **Oct. 2, 2018**

(30) **Foreign Application Priority Data**

May 18, 2018 (JP) ..... 2018-010964

(51) **LOC (12) Cl.** ..... **13-03**

(52) **U.S. Cl.**  
USPC ..... **D13/159**

(58) **Field of Classification Search**  
USPC ..... D13/110, 112, 118, 123, 133, 154, D13/158-162.1, 169-171, 173, 175, 178, D13/184, 199  
CPC ..... H01H 9/443; H01H 13/04; H01H 33/18; H01H 47/00; H01H 49/00; H01H 50/04; H01H 50/023; H01H 50/36; H01H 50/42; H01H 50/64; H01H 51/28; H01H 75/00  
See application file for complete search history.

(56) **References Cited**

**U.S. PATENT DOCUMENTS**

4,481,555 A \* 11/1984 Yoshida ..... H01H 50/541  
361/155  
6,111,488 A \* 8/2000 Nakamura ..... H01H 50/045  
335/132

D656,902 S \* 4/2012 Suzuki ..... D13/159  
D656,903 S \* 4/2012 Suzuki ..... D13/159  
D656,904 S \* 4/2012 Suzuki ..... D13/159  
D690,660 S \* 10/2013 Suzuki ..... D13/159  
D729,747 S \* 5/2015 Suzuki ..... D13/159  
D787,449 S \* 5/2017 Tashima ..... D13/159  
D826,869 S \* 8/2018 Sakurai ..... D13/159  
2015/0022293 A1 \* 1/2015 Naka ..... H01H 50/023  
335/153

(Continued)

**FOREIGN PATENT DOCUMENTS**

JP 2012146502 A \* 8/2012  
JP 2018116766 A \* 7/2018

*Primary Examiner* — Angela J Lee

*Assistant Examiner* — Shawn T Gingrich

(74) *Attorney, Agent, or Firm* — IPUSA, PLLC

(57) **CLAIM**

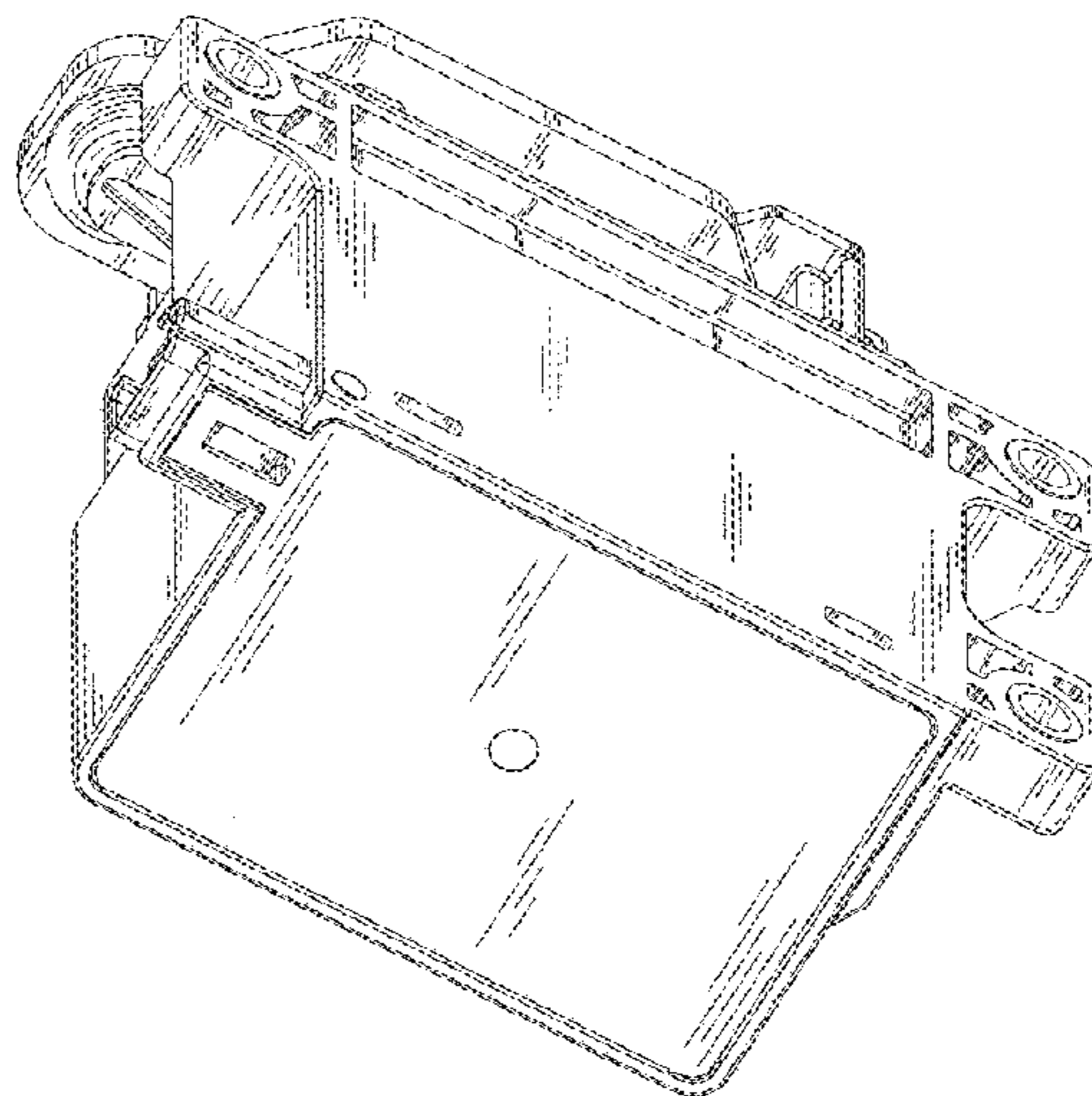
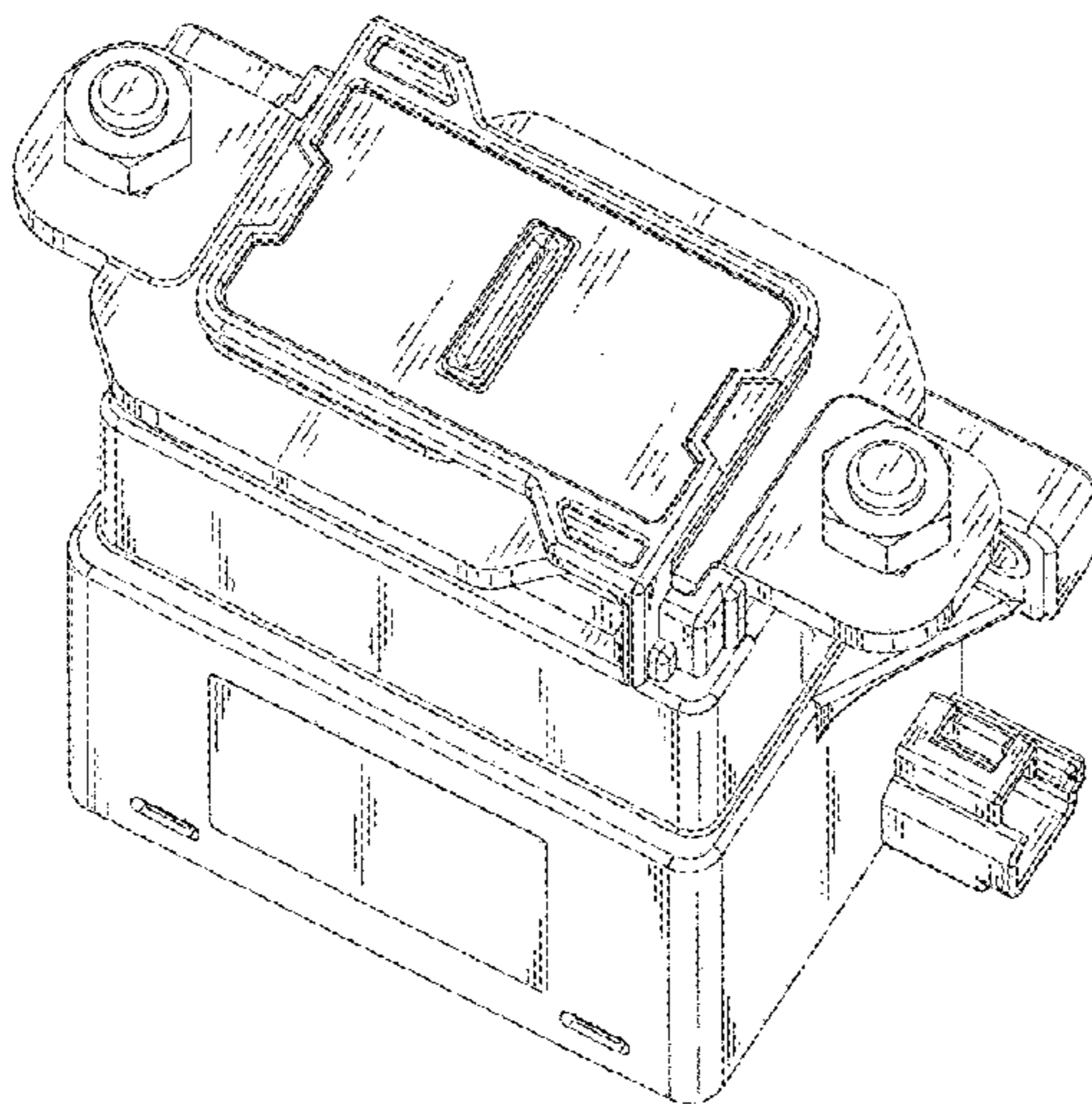
The ornamental design for an electromagnetic contactor, as shown and described.

**DESCRIPTION**

FIG. 1 is a front, top, right side perspective view of an electromagnetic contactor, showing our new design; FIG. 2 is a front, bottom, left side perspective view thereof; FIG. 3 is a rear, bottom, right side perspective view thereof; FIG. 4 is a front view thereof; FIG. 5 is a rear view thereof; FIG. 6 is a top plan view thereof; FIG. 7 is a bottom plan view thereof; FIG. 8 is a right side view thereof; and, FIG. 9 is a left side view thereof.

The broken lines in the drawings illustrate portions of the electromagnetic contactor that form no part of the claimed design.

**1 Claim, 6 Drawing Sheets**



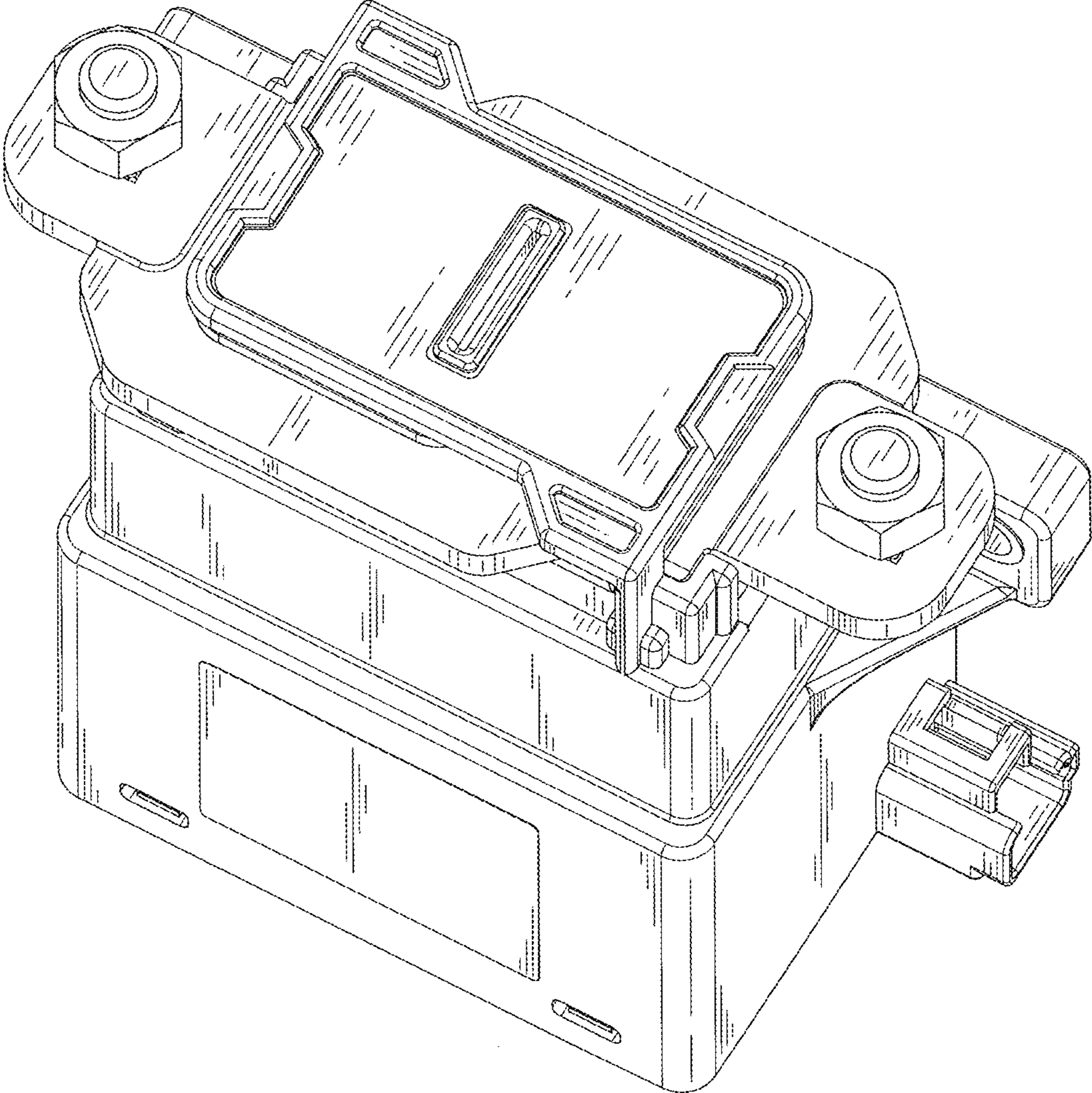
(56)

**References Cited**

U.S. PATENT DOCUMENTS

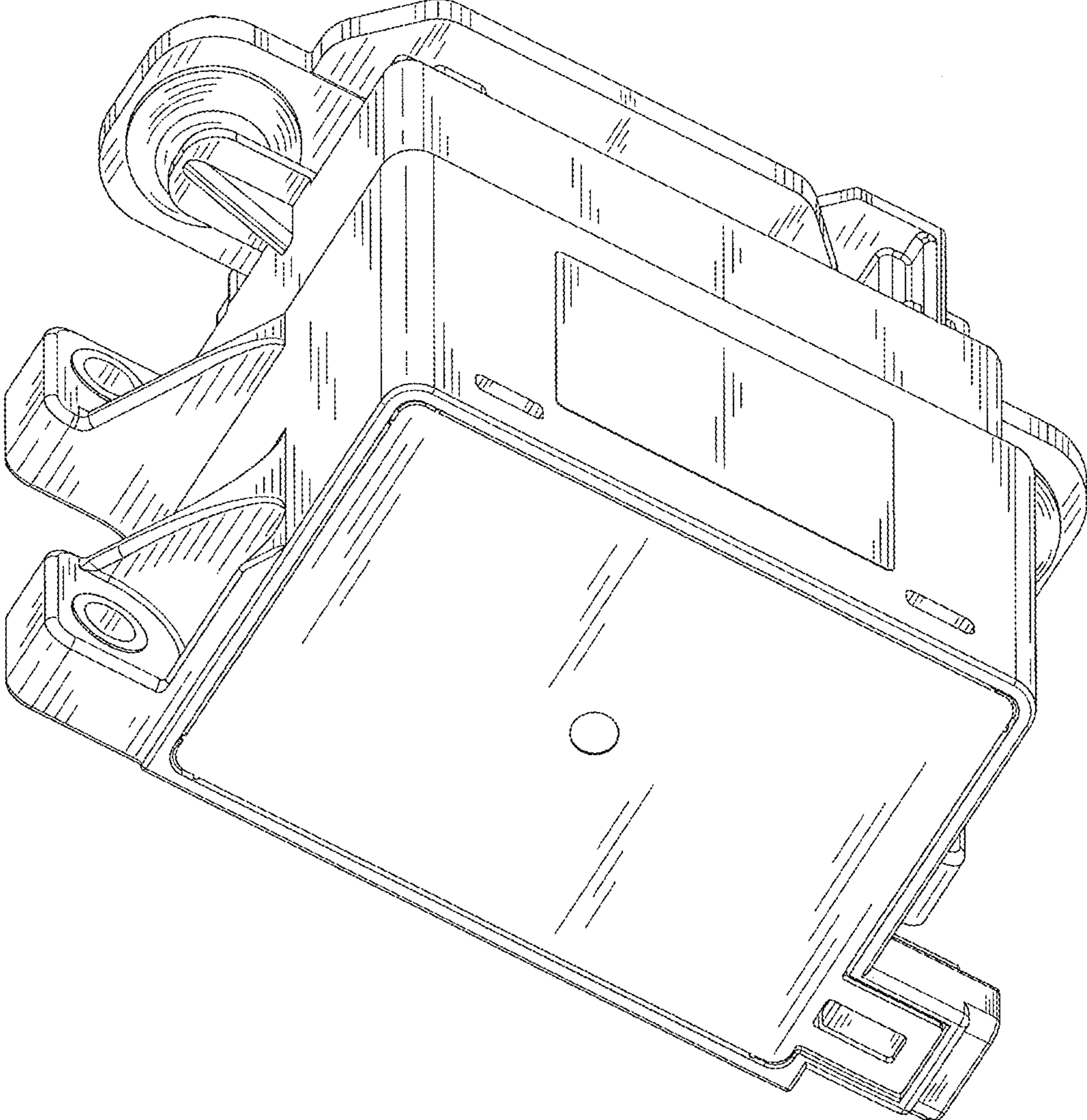
2016/0189899 A1\* 6/2016 Shiinoki ..... H01H 50/047  
335/132  
2019/0304726 A1\* 10/2019 Ishikawa ..... H01H 50/18  
2019/0304729 A1\* 10/2019 Minowa ..... H01H 50/58

\* cited by examiner

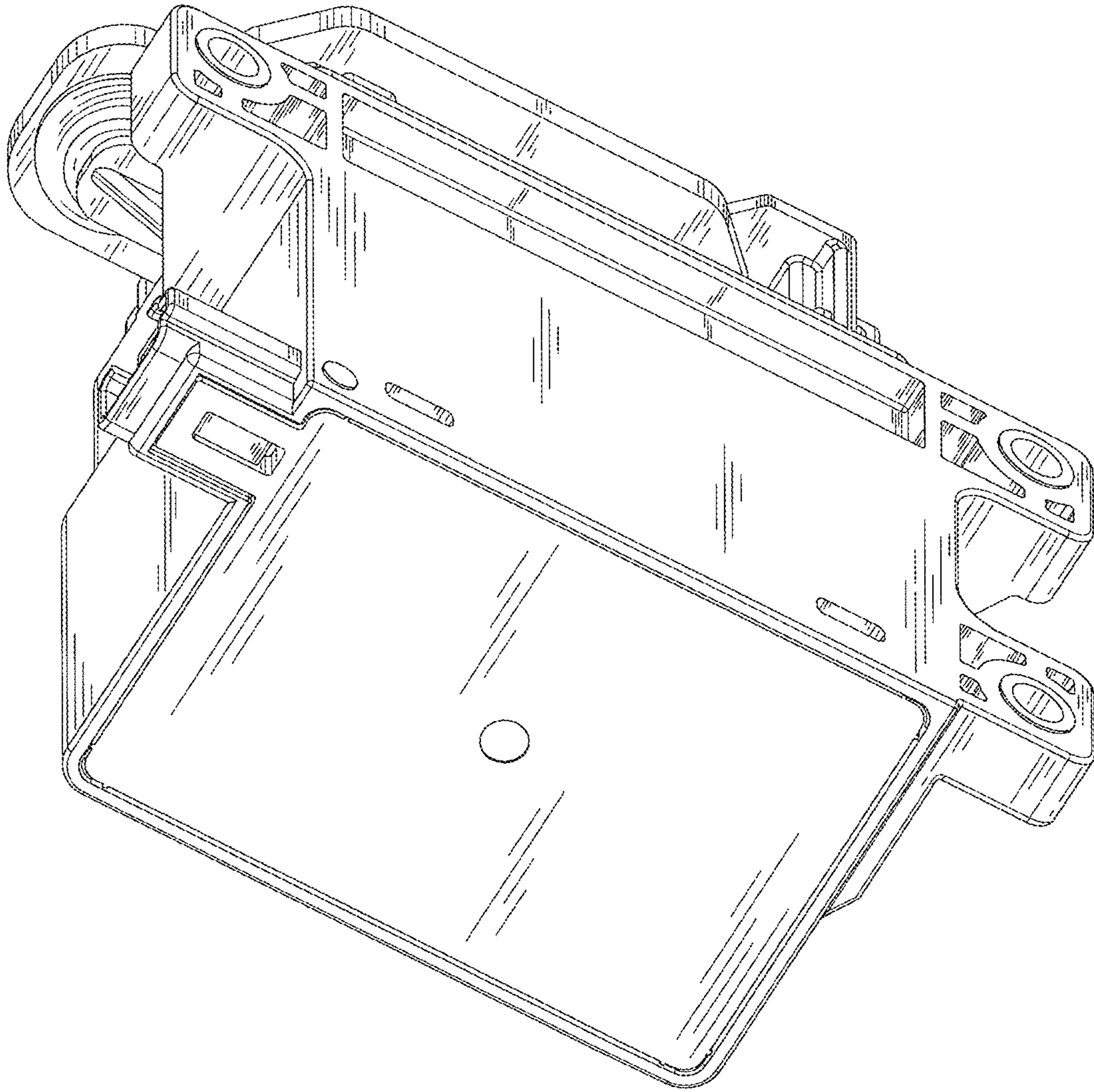


*Fig. 1*

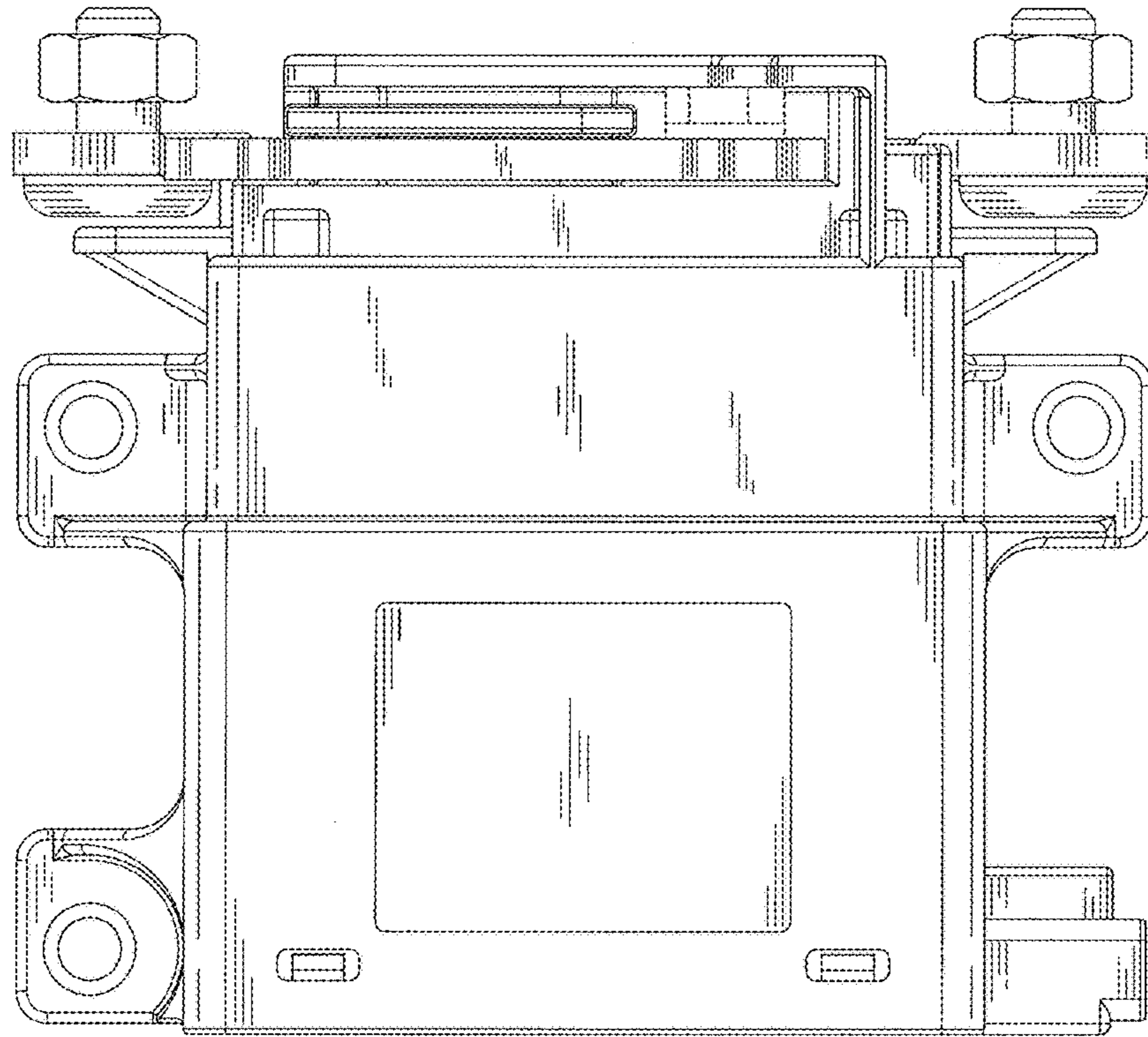




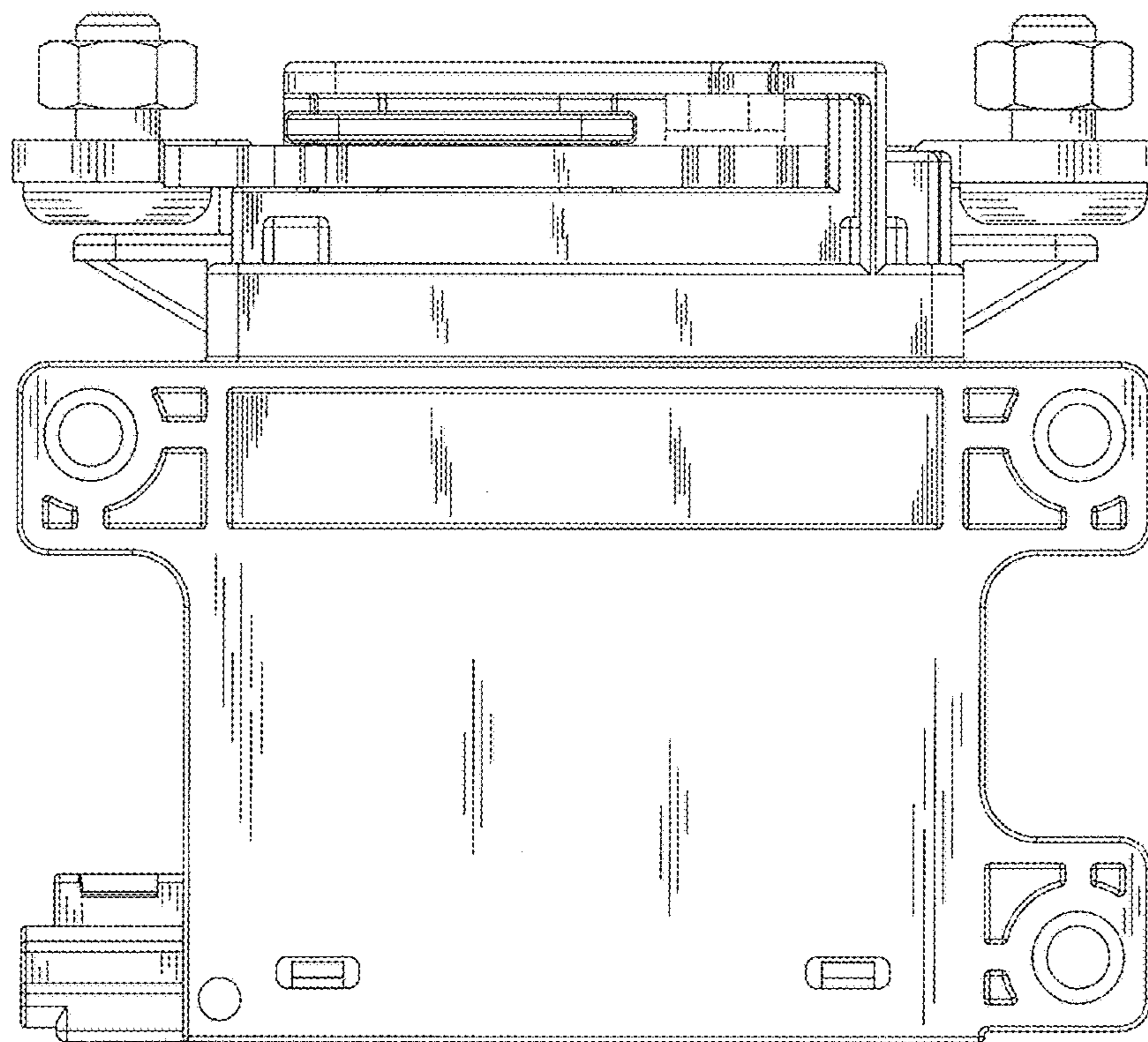
*Fig. 2*



*Fig. 3*

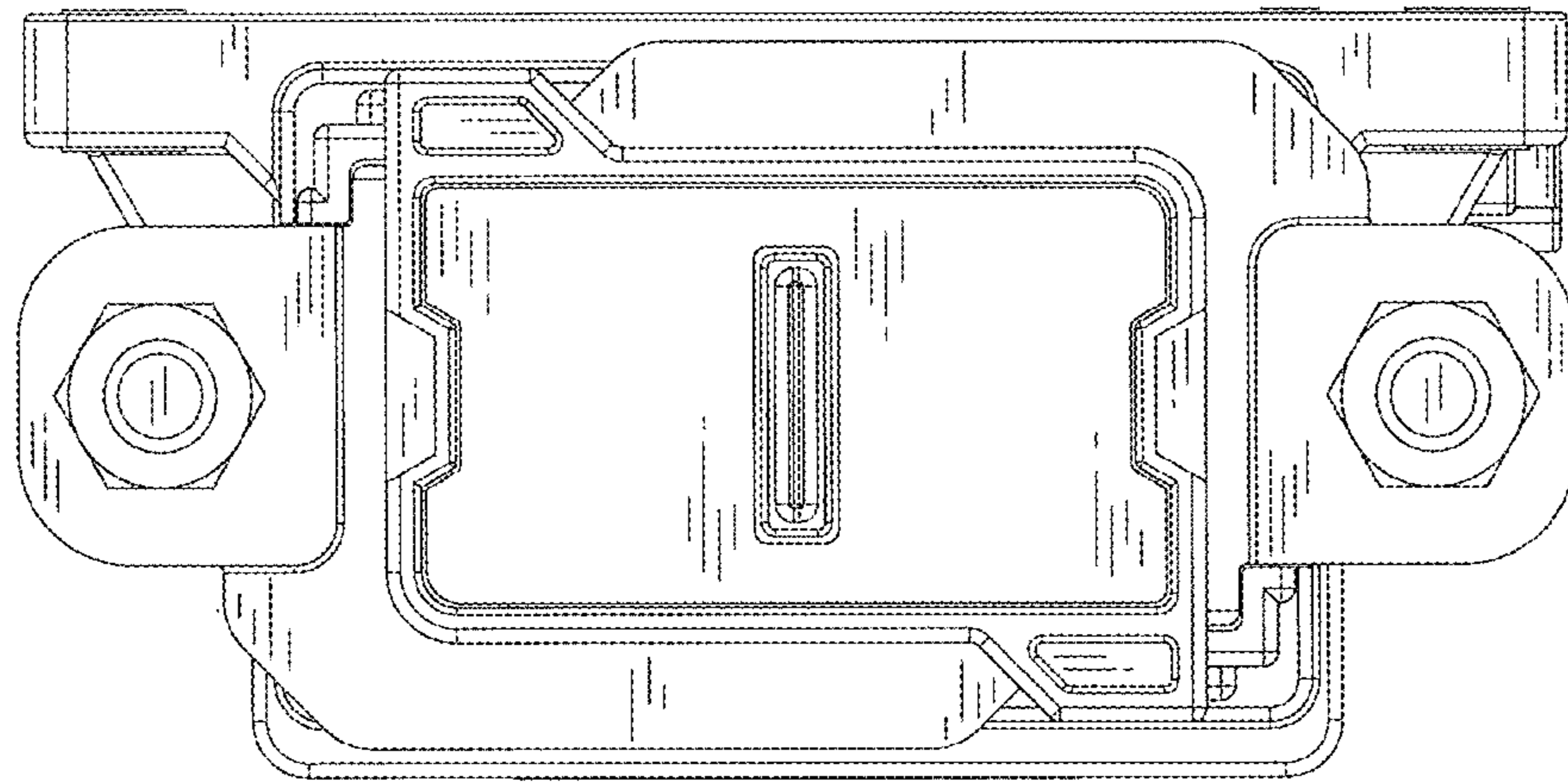


*Fig. 4*

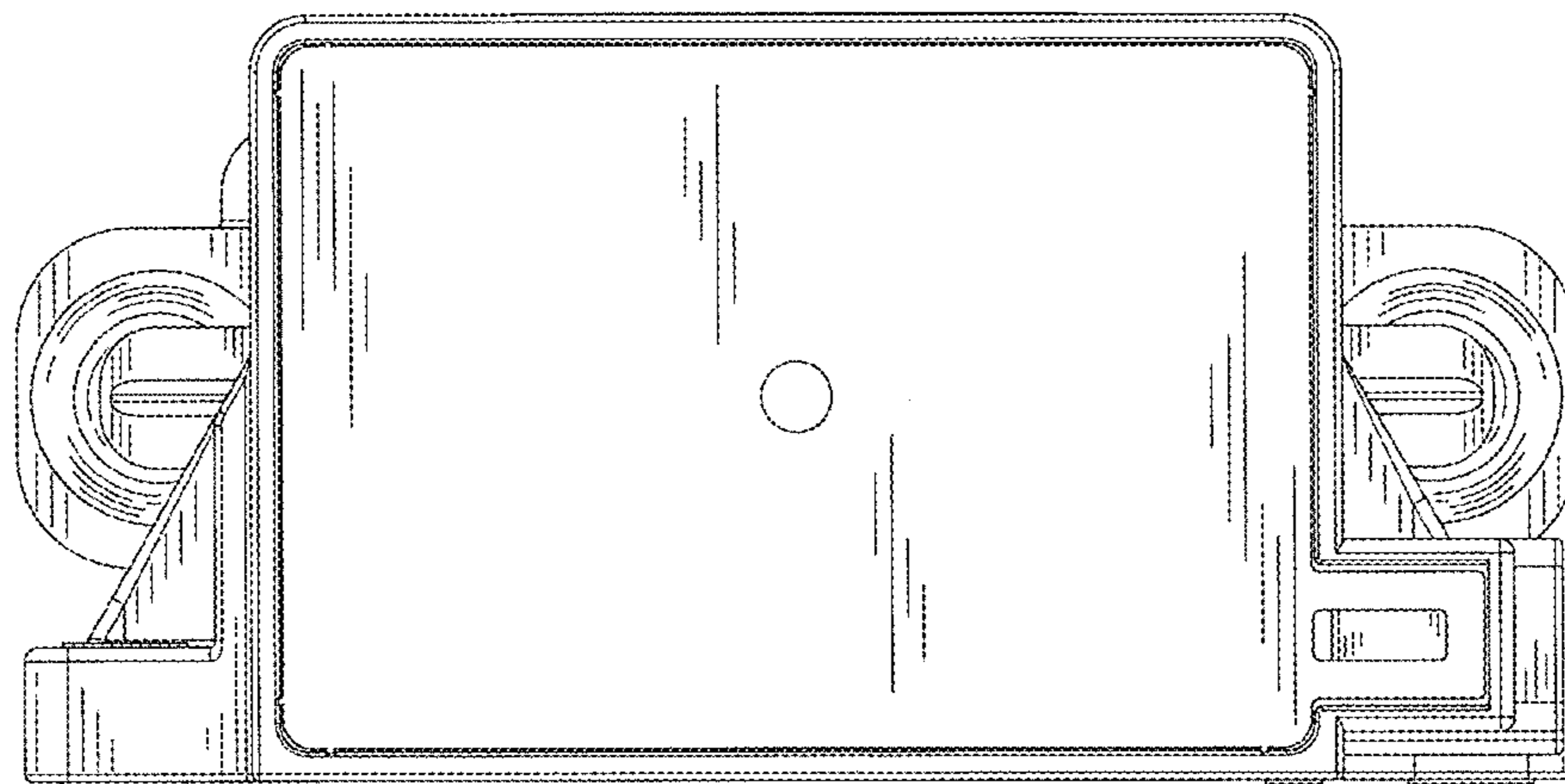


*Fig. 5*

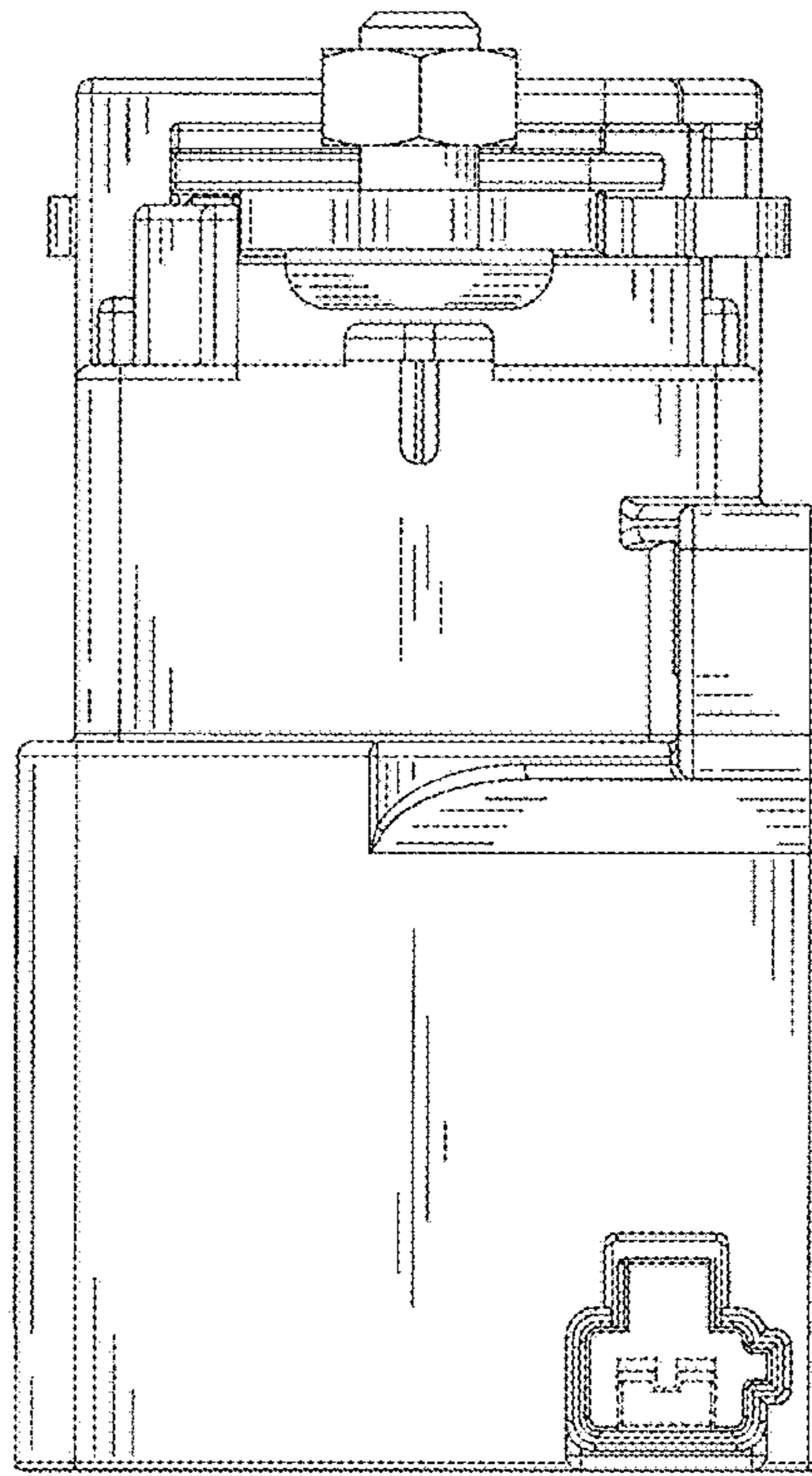




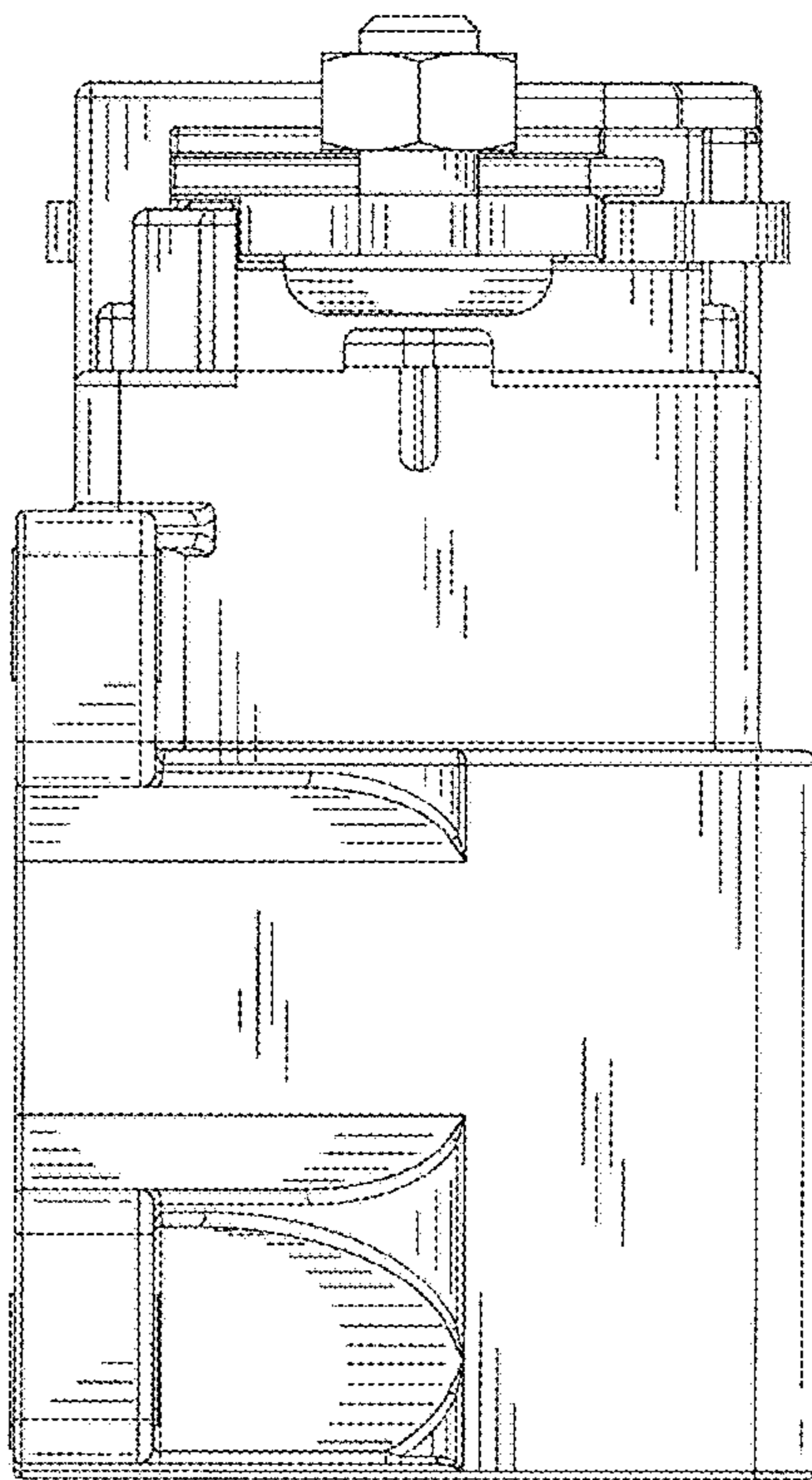
*Fig. 6*



*Fig. 7*



*Fig. 8*



*Fig. 9*