



US00D869400S

(12) **United States Design Patent**
Wu

(10) **Patent No.:** **US D869,400 S**

(45) **Date of Patent:** **** Dec. 10, 2019**

(54) **REINFORCED ELECTRICAL CONTACT**

(71) Applicants: **DINKLE ENTERPRISE CO., LTD.**,
New Taipei (TW); **DINKLE**
ELECTRIC MACHINERY (CHINA)
CO., LTD., Kunshan, Jiangsu (CN)

(72) Inventor: **Shang-Tsai Wu**, New Taipei (TW)

(73) Assignees: **DINKLE ENTERPRISE CO., LTD.**,
New Taipei (TW); **DINKLE**
ELECTRIC MACHINERY (CHINA)
CO., LTD., Kunshan, Jiangsu (CN)

(**) Term: **15 Years**

(21) Appl. No.: **29/662,480**

(22) Filed: **Sep. 6, 2018**

(51) **LOC (12) Cl.** **13-03**

(52) **U.S. Cl.**
USPC **D13/154**; D13/133

(58) **Field of Classification Search**
USPC D13/118-123, 133, 146, 147, 149,
D13/151-156, 173, 184, 199
CPC ... H01R 4/24; H01R 4/48; H01R 9/00; H01R
9/05; H01R 12/00; H01R 12/16; H01R
12/58; H01R 12/82; H01R 13/00; H01R
13/02; H01R 13/11; H01R 13/115; H01R
13/15; H01R 13/18; H01R 13/24; H01R
13/514; H01R 13/62; H01R 13/627;
H01R 24/00
See application file for complete search history.

(56) **References Cited**

U.S. PATENT DOCUMENTS

4,317,609 A * 3/1982 Lapraik H01R 12/721
439/636
4,408,824 A * 10/1983 Weidler H01R 4/2462
439/398
4,540,235 A * 9/1985 Lolic, Sr. H01R 13/11
439/839

4,553,808 A * 11/1985 Weidler H01R 13/113
439/391
4,932,877 A * 6/1990 Zinn H01R 13/18
439/839
4,975,066 A * 12/1990 Sucheski H01R 13/11
439/63
5,007,865 A * 4/1991 Jakobeit H01R 13/18
439/839
5,266,046 A * 11/1993 Bogiel H01R 13/28
439/290
D540,265 S * 4/2007 Lai D13/149
7,909,663 B1 * 3/2011 Bouffet H01R 13/18
439/212

(Continued)

Primary Examiner — Angela J Lee

Assistant Examiner — Shawn T Gingrich

(74) *Attorney, Agent, or Firm* — Chun-Ming Shih; HDLS
IPR Services

(57) **CLAIM**

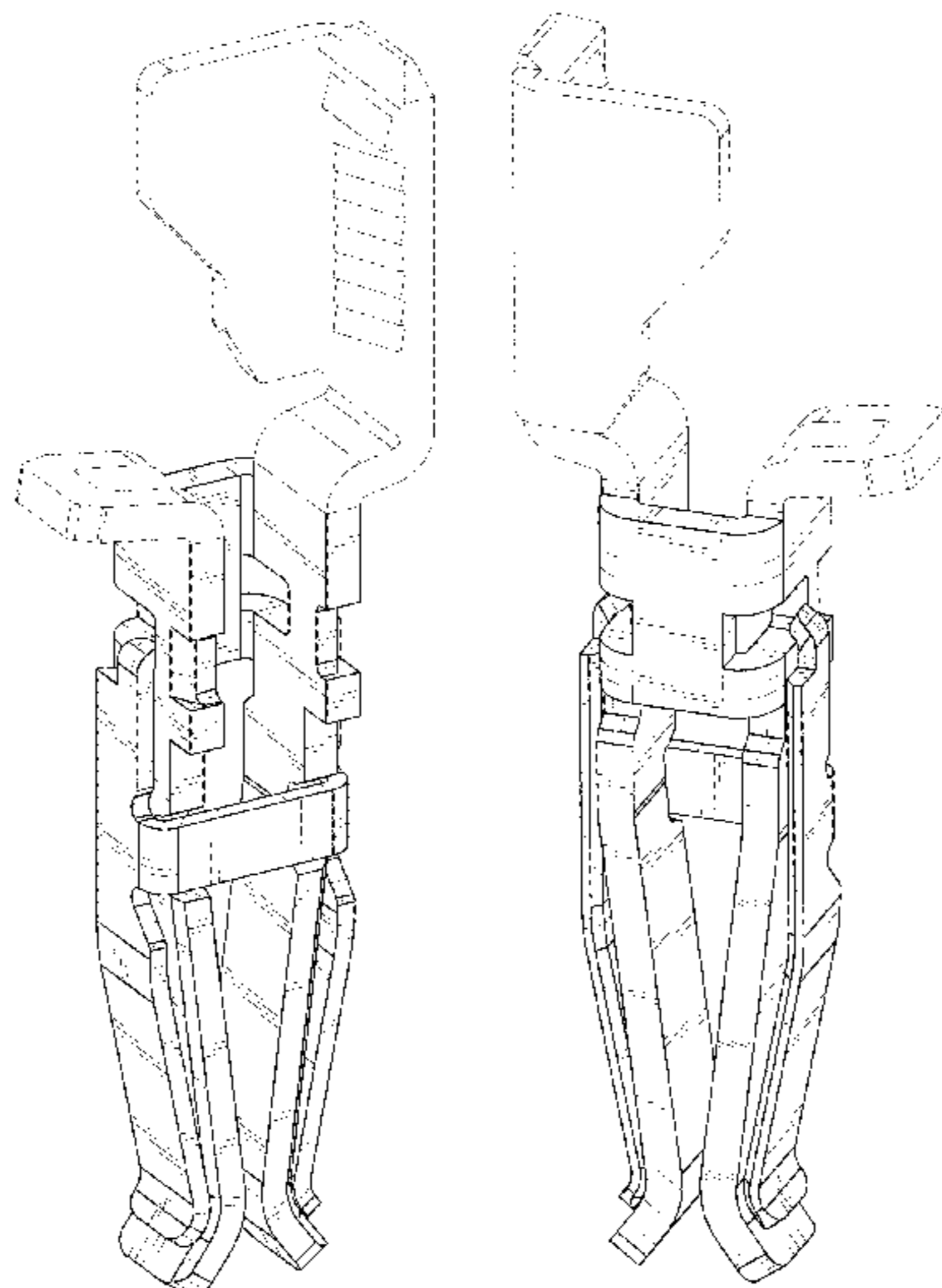
The ornamental design for a reinforced electrical contact, as shown and described.

DESCRIPTION

FIG. 1 is a perspective view of a reinforced electrical contact showing my new design;
FIG. 2 is a front view thereof;
FIG. 3 is a rear view thereof;
FIG. 4 is a left side view thereof;
FIG. 5 is a right side view thereof;
FIG. 6 is a top view thereof;
FIG. 7 is a bottom view thereof; and,
FIG. 8 is second perspective view showing the reinforced electrical contact.

The Dash-Dash broken line portion of the figure drawings is included to show portions of the article that form no part of the claimed design. The Dash-Dot broken line portion of the figure drawings is included to show claim boundaries that form no part of the claimed design.

1 Claim, 8 Drawing Sheets



(56)

References Cited

U.S. PATENT DOCUMENTS

8,047,864 B1 * 11/2011 Ju H01R 4/58
439/342
8,083,532 B1 * 12/2011 Nicholson H01R 13/193
439/180
D665,360 S * 8/2012 Gieski D13/154
D668,621 S * 10/2012 Gieski D13/154
9,293,852 B2 * 3/2016 Glick H01R 43/20
9,711,926 B2 * 7/2017 Belanger, Jr. B33Y 80/00
10,424,858 B2 * 9/2019 Ju H01R 13/2492
2008/0227324 A1 * 9/2008 Cheng H01R 13/11
439/342
2012/0129407 A1 * 5/2012 Glick H01R 13/113
439/817
2012/0315804 A1 * 12/2012 Wang H01R 4/02
439/816
2013/0023163 A1 * 1/2013 Glick H01R 13/422
439/752
2013/0090025 A1 * 4/2013 Trout H01R 4/028
439/884
2015/0229056 A1 * 8/2015 Morello H01R 13/18
439/370
2019/0267737 A1 * 8/2019 Venaleck H01R 13/112

* cited by examiner

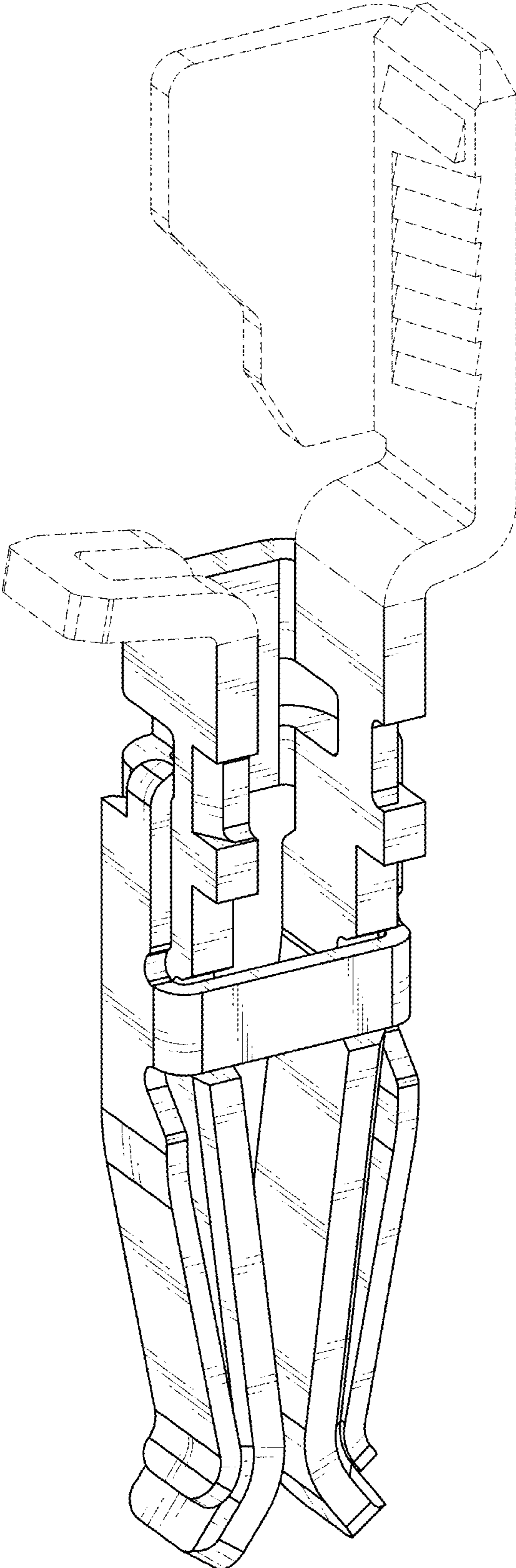


FIG. 1

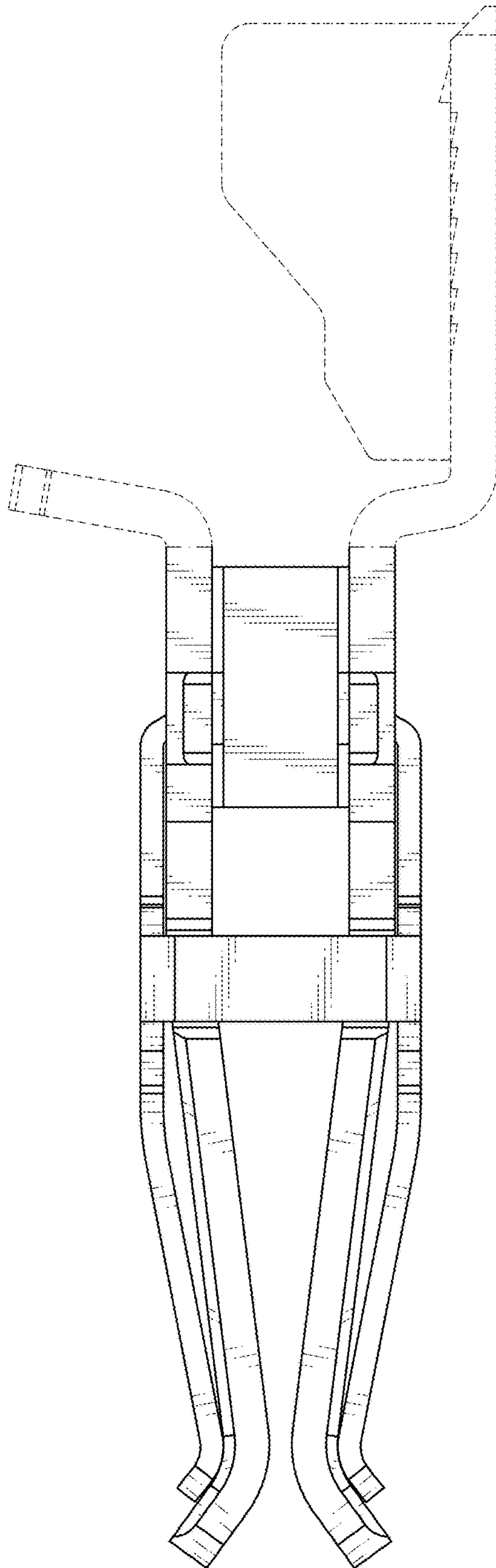


FIG.2

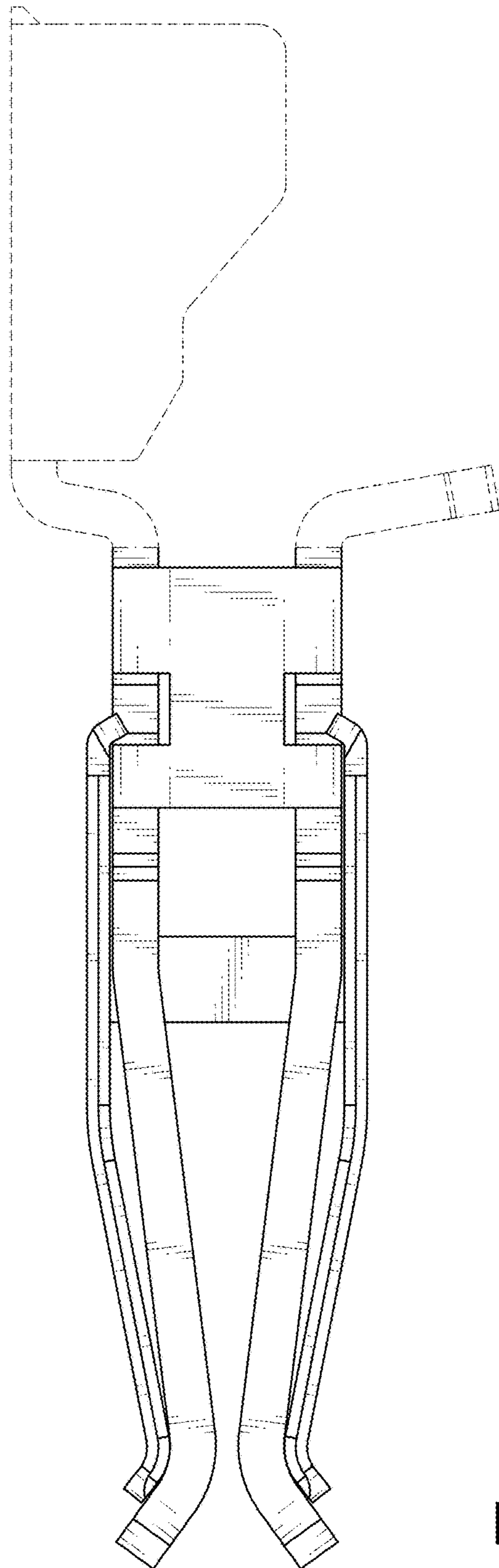


FIG.3

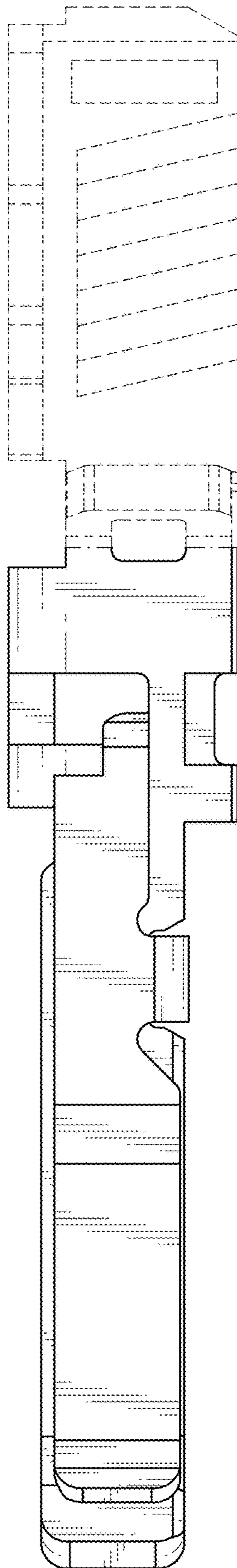


FIG.4

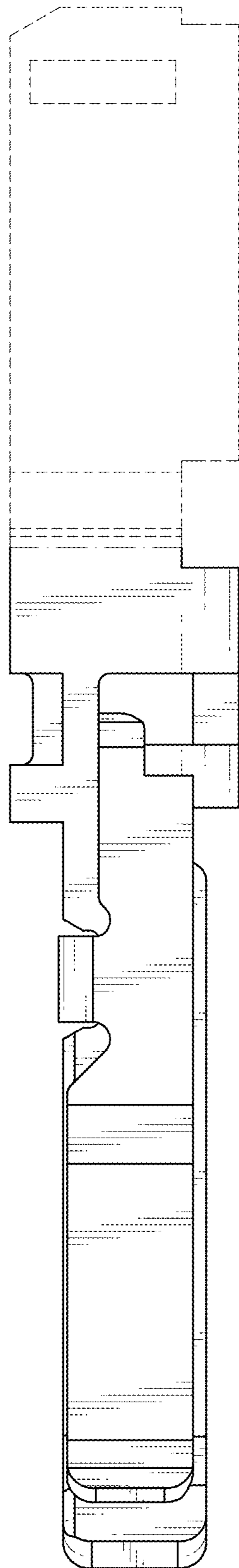


FIG. 5

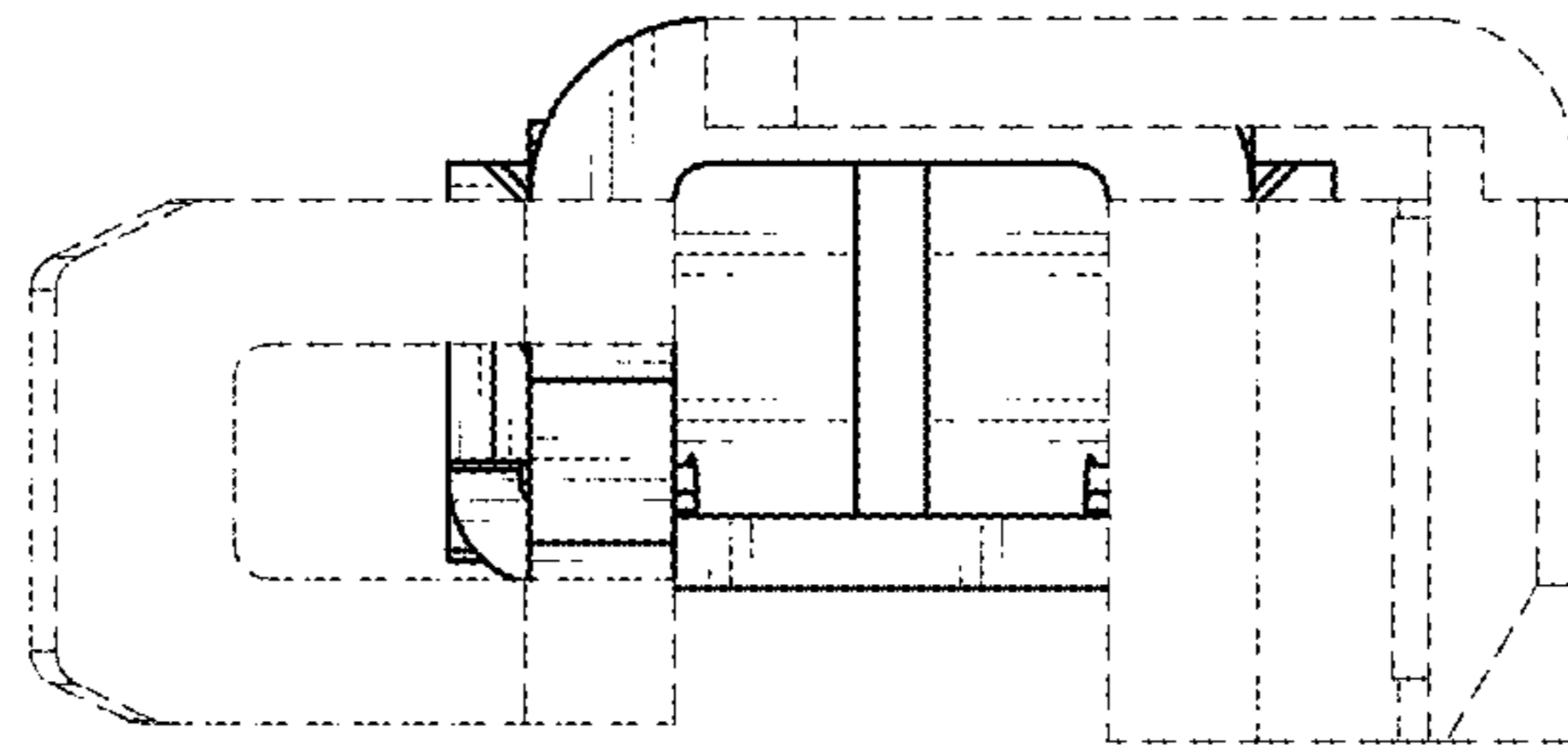


FIG.6

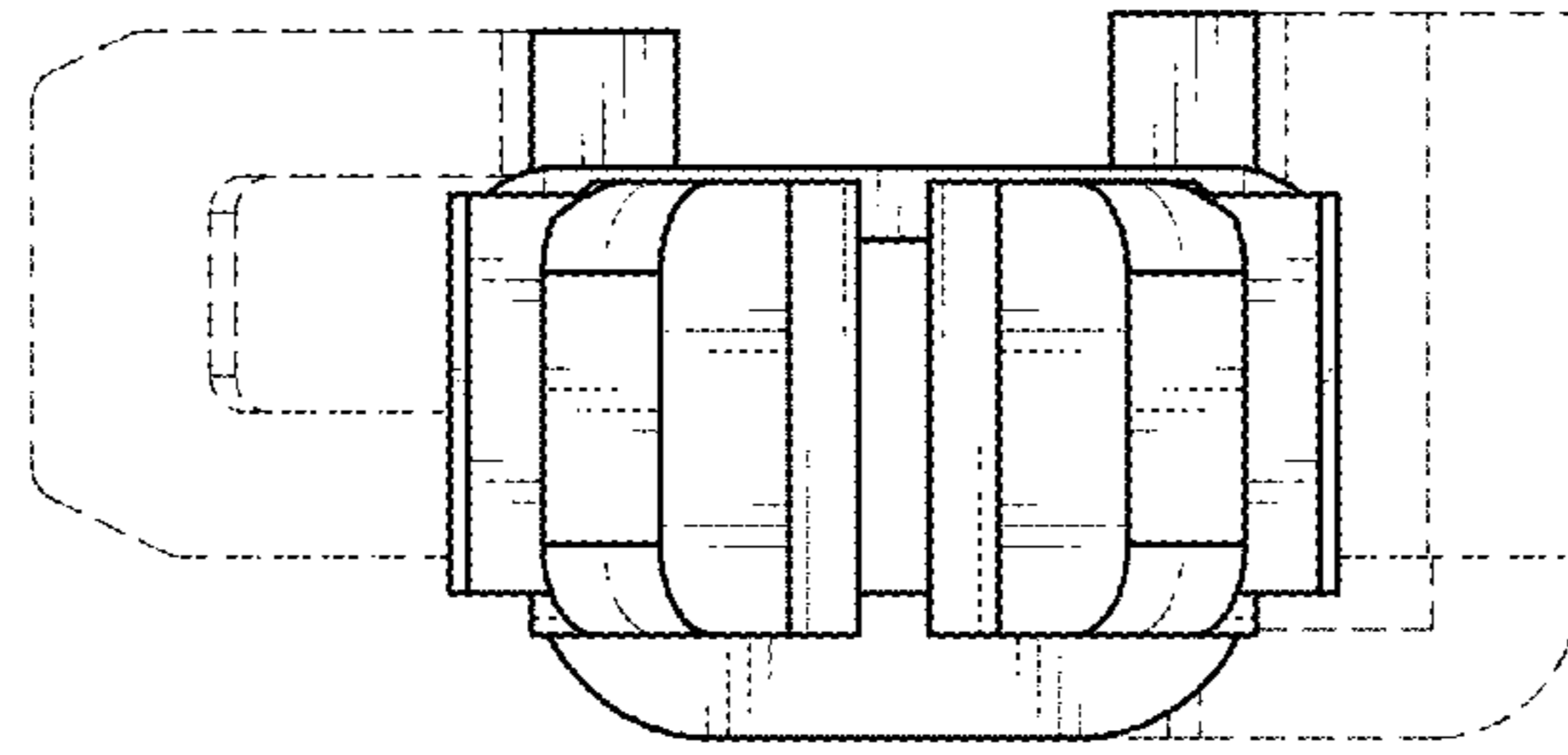


FIG.7

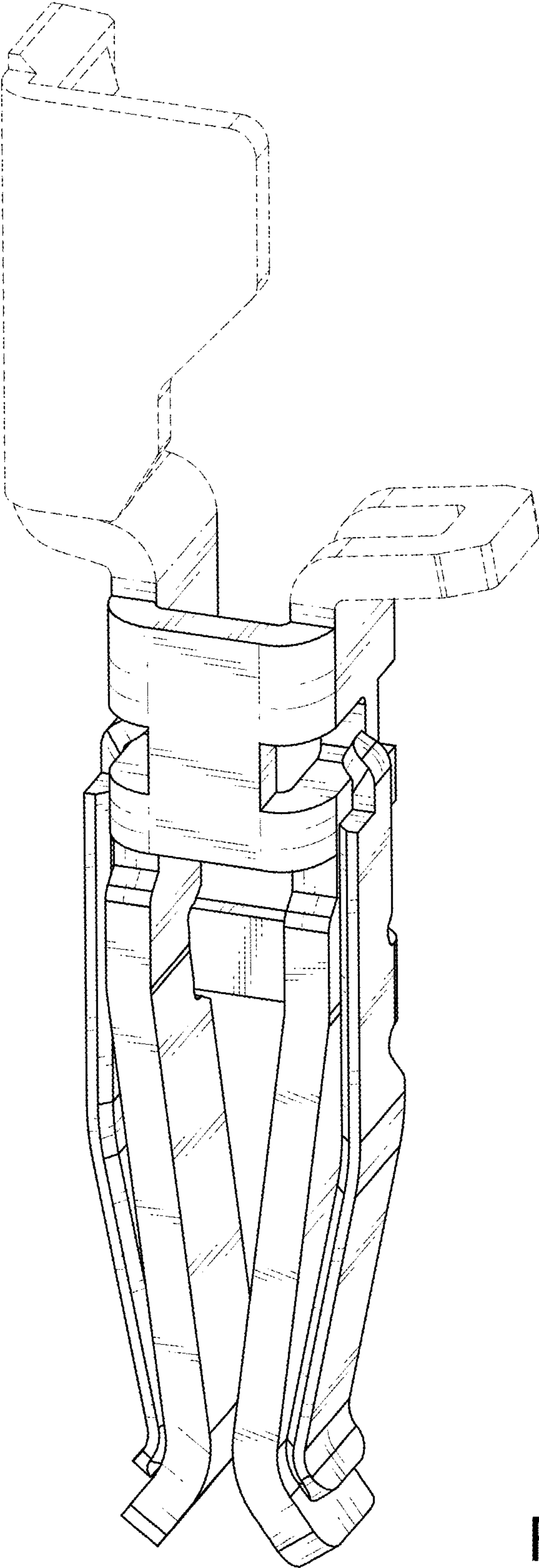


FIG.8