



US00D869399S

(12) **United States Design Patent** (10) **Patent No.:** **US D869,399 S**
Ko (45) **Date of Patent:** **** Dec. 10, 2019**

(54) **CABLE CONNECTOR FOR LAMP**

(56) **References Cited**

(71) Applicants: **VISION X ASIA CO., LTD.**,
Hwaseong-si (KR); **In Hong Ko**, Seoul
(KR)

U.S. PATENT DOCUMENTS

D804,426 S *	12/2017	Watkins	D13/151
D810,029 S *	2/2018	Robert	D13/151
D824,862 S *	8/2018	Corona	D13/149
D830,312 S *	10/2018	Nguyen	D13/154
D837,741 S *	1/2019	Corona	D13/151
D838,247 S *	1/2019	Corona	D13/151
D839,213 S *	1/2019	Maroney	D13/154
D848,376 S *	5/2019	Hewitt	D13/153
D859,320 S *	9/2019	Corona	D13/151

(72) Inventor: **In Hong Ko**, Seoul (KR)

* cited by examiner

(73) Assignees: **VISION X ASIA CO., LTD.**,
Hwaseong-si (KR); **In Hong Ko**, Seoul
(KR)

Primary Examiner — Rosemary K Tarcza

Assistant Examiner — Christy M Nemeth

(**) Term: **15 Years**

(74) *Attorney, Agent, or Firm* — Cantor Colburn LLP

(21) Appl. No.: **29/649,056**

(22) Filed: **May 25, 2018**

(57) **CLAIM**

The ornamental design for a cable connector for lamp, as shown and described.

(30) **Foreign Application Priority Data**

Dec. 18, 2017 (KR) 30-2017-0059820

DESCRIPTION

(51) **LOC (12) Cl.** **13-03**

(52) **U.S. Cl.**
USPC **D13/153**

(58) **Field of Classification Search**
USPC D13/107–110, 137.1–137.4, 138.1–138.2,
D13/139.1–139.8, 149–157, 199, 133;
D14/432, 433, 435.1; D8/350, 353–356
CPC H01R 25/00; H01R 25/003; H01R 25/006;
H01R 11/00; H01R 9/00; H01R 13/5845;
H01R 13/72; H01R 13/46; H01R 31/06;
H01R 24/28; H02J 2007/0062; H01B
7/2806; A61F 2/962

FIG. 1 is a perspective view of a cable connector for lamp showing my new design;
FIG. 2 is a front elevational view thereof;
FIG. 3 is a rear elevational view thereof;
FIG. 4 is a left side elevational view thereof;
FIG. 5 is a right side elevational view thereof;
FIG. 6 is a top plan view thereof; and,
FIG. 7 is a bottom plan view thereof.

The broken lines in the drawings are for the purpose of illustrating portions of the cable connector for lamp that form no part of the claimed design.

See application file for complete search history.

1 Claim, 3 Drawing Sheets

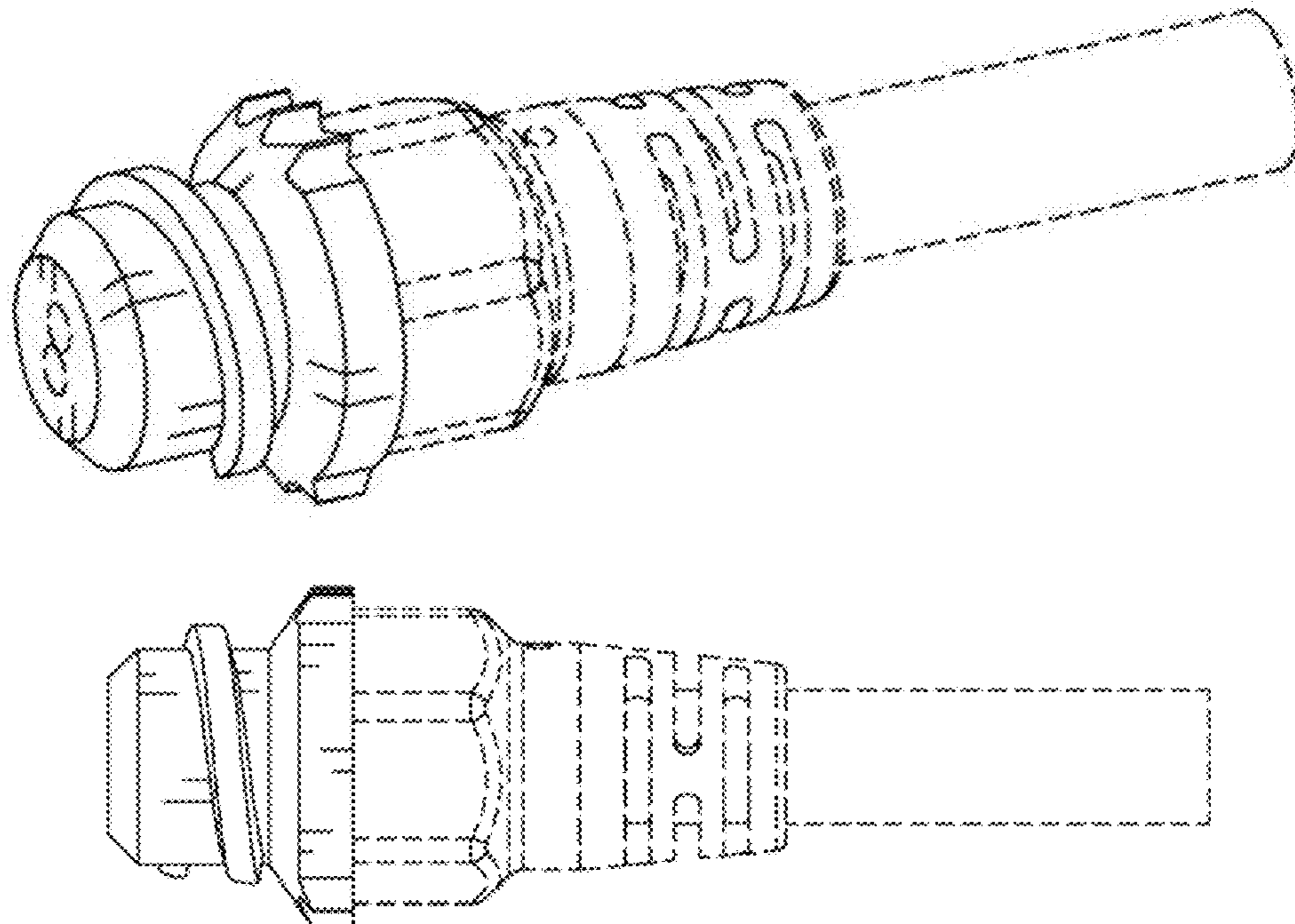


FIG. 1

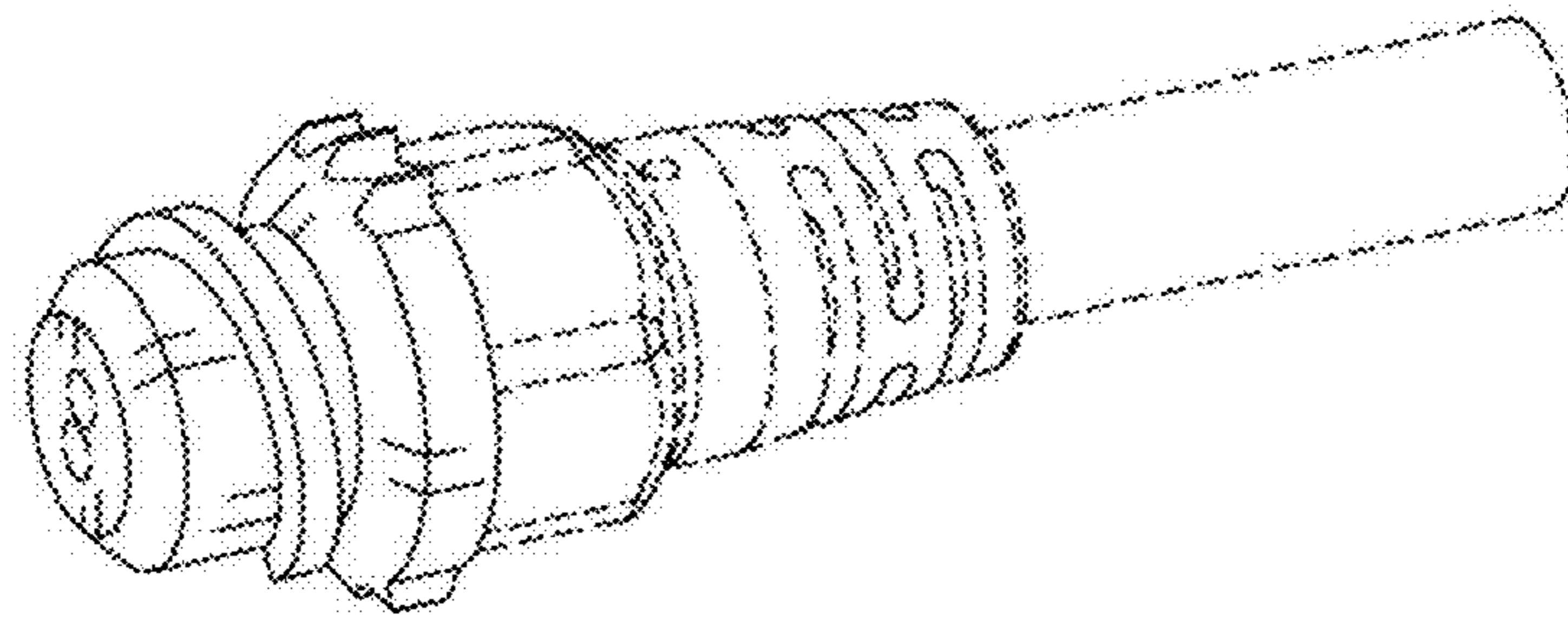


FIG. 2

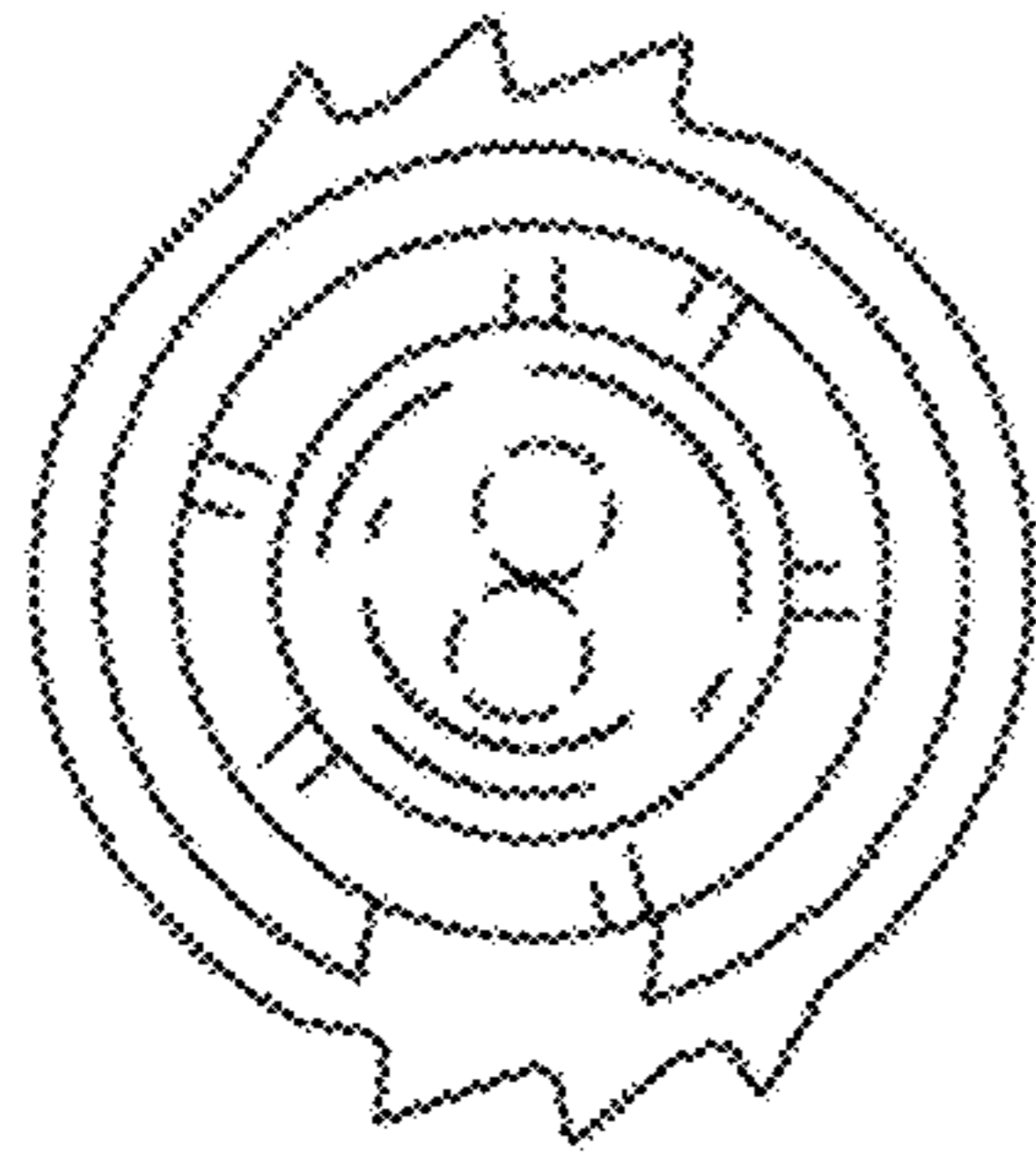


FIG. 3

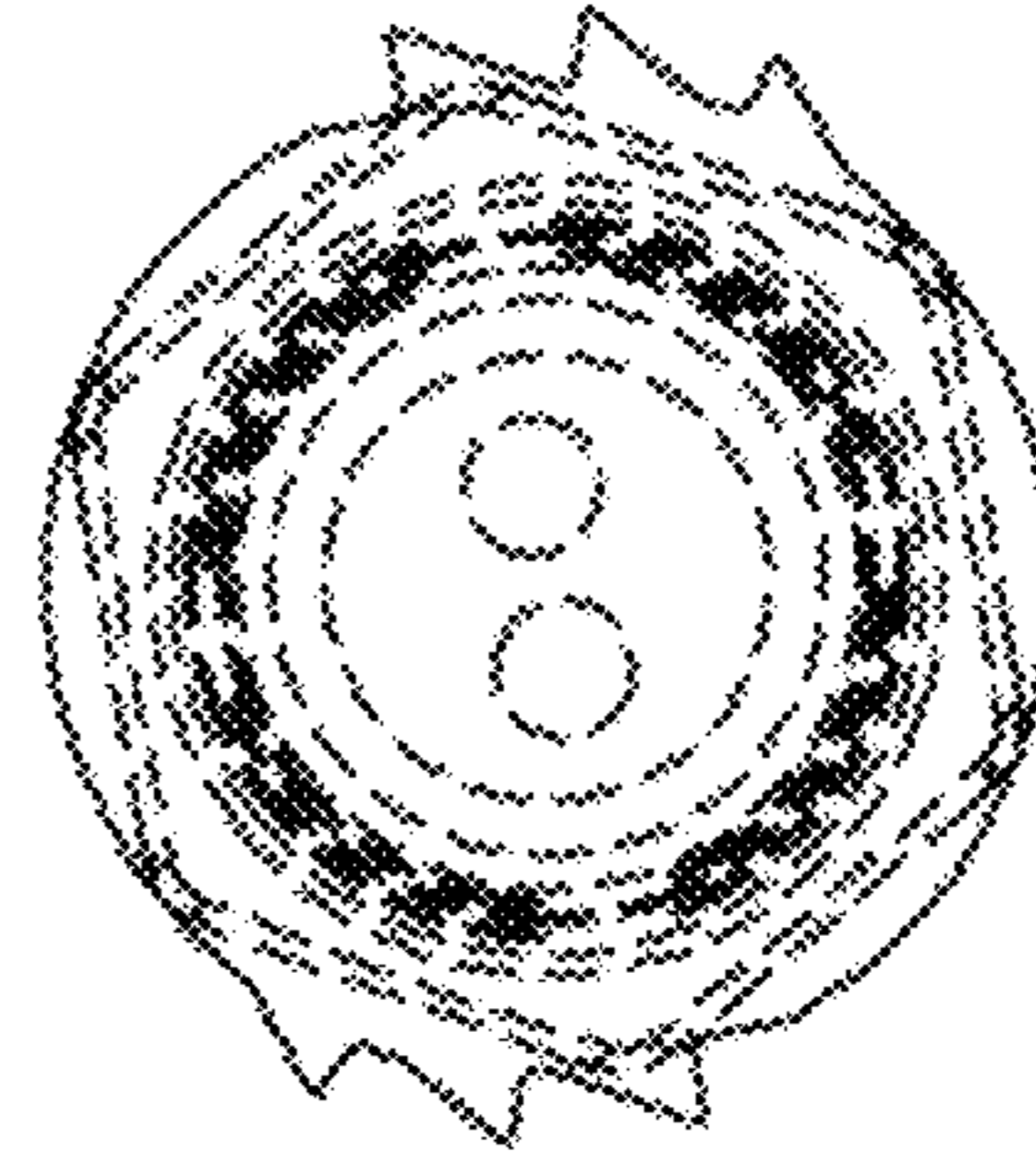


FIG. 4

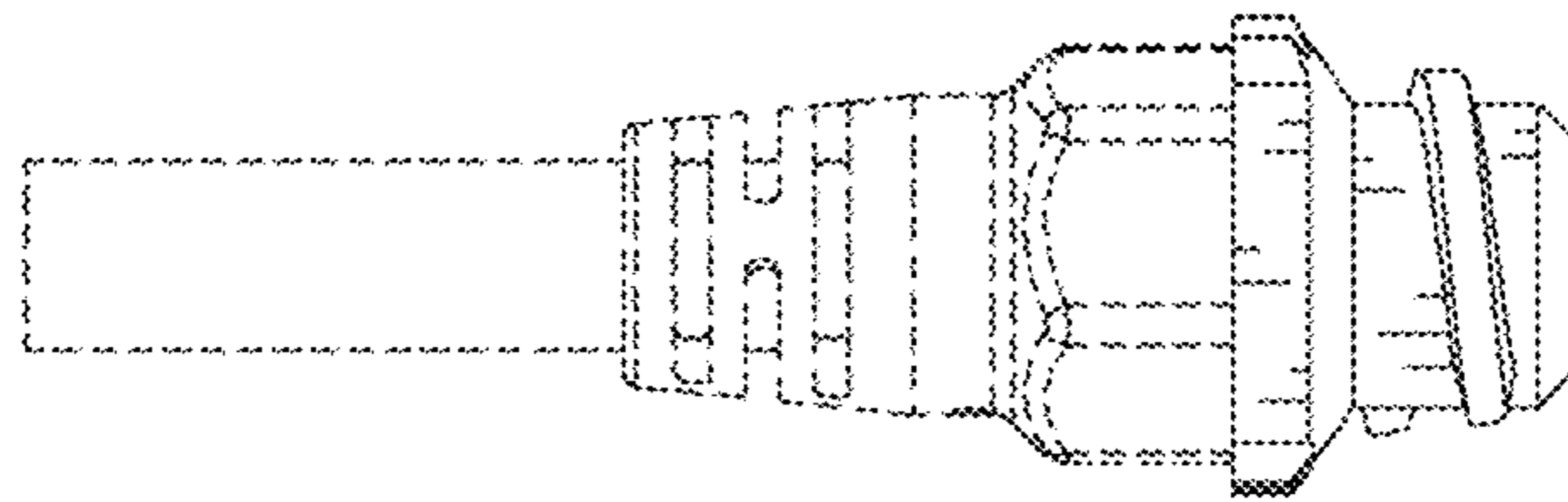


FIG. 5

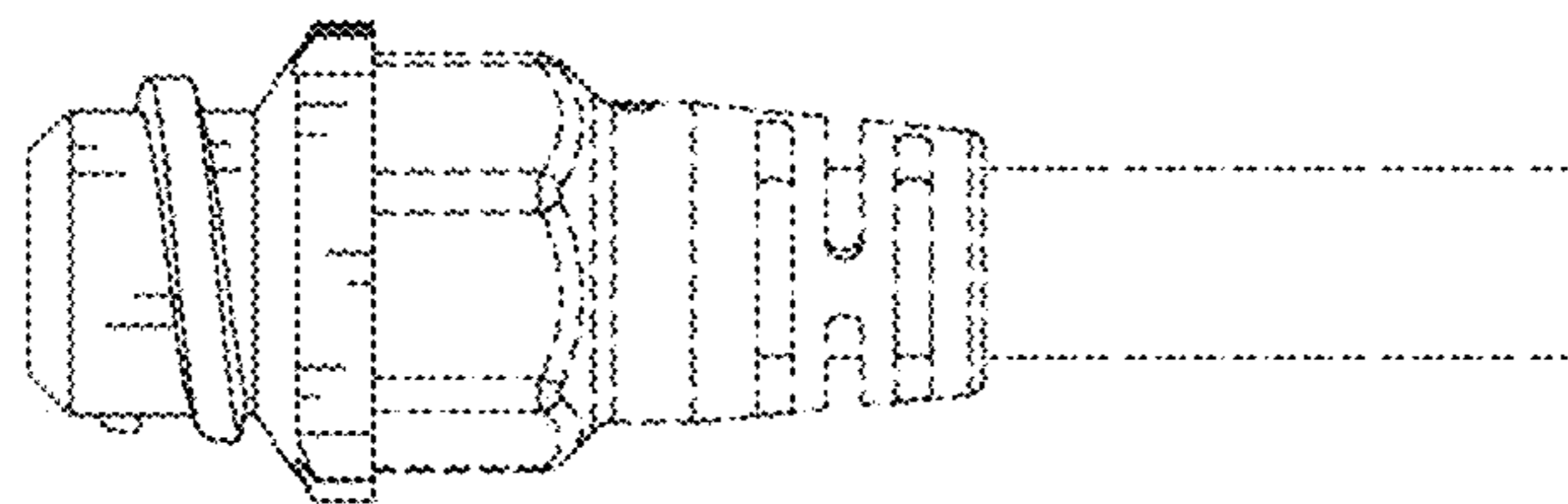


FIG. 6

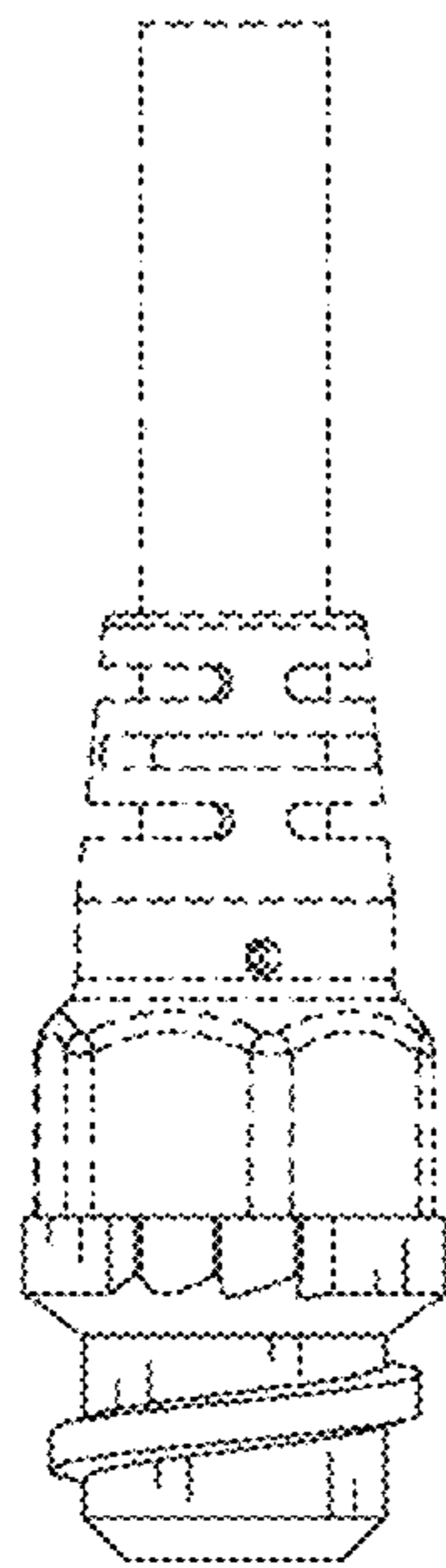


FIG. 7

