



US00D869397S

(12) **United States Design Patent**
Hayes et al.

(10) **Patent No.:** **US D869,397 S**

(45) **Date of Patent:** **** Dec. 10, 2019**

(54) **ELECTRICAL RECEPTACLE WITH IN-LINE POWER UNIT**

(71) Applicant: **Group Dekko, Inc.**, Garrett, IN (US)

(72) Inventors: **Daniel Hayes**, Kendallville, IN (US);
Brian Rupert, Kendallville, IN (US)

(73) Assignee: **Group Dekko Inc.**, Garrett, IN (US)

(**) Term: **15 Years**

(21) Appl. No.: **29/663,780**

(22) Filed: **Sep. 19, 2018**

Related U.S. Application Data

(63) Continuation of application No. 15/471,044, filed on Mar. 28, 2017, now abandoned.

(51) **LOC (12) Cl.** **13-03**

(52) **U.S. Cl.**
USPC **D13/137.2**

(58) **Field of Classification Search**
USPC D13/137.1-137.4, 138.1-138.2,
D13/139.1-139.8

CPC G06F 1/601; H02G 3/18; A47B 21/06;
H01R 13/641

See application file for complete search history.

(56) **References Cited**

U.S. PATENT DOCUMENTS

- 4,500,150 A 2/1985 Leibensperger et al.
- 6,004,157 A * 12/1999 Glass A47B 21/06
439/535
- 6,379,182 B1 4/2002 Byrne
- 6,595,144 B1 7/2003 Doyle

- D486,793 S * 2/2004 Gershfeld D13/139.4
- 7,640,866 B1 1/2010 Schermerhorn
- 8,276,523 B2 10/2012 Miller et al.
- 9,084,475 B2 7/2015 Hjelm
- 9,148,006 B2 * 9/2015 Byrne H02G 3/18
- D740,229 S * 10/2015 Page D13/139.4
- 9,804,652 B2 * 10/2017 Volek G06F 1/1601
- 10,116,094 B2 * 10/2018 Byrne H01R 13/641
- D839,828 S * 2/2019 Byrne D13/139.4
- D840,347 S * 2/2019 Byrne D13/139.4
- D848,371 S * 5/2019 Byrne D13/139.4
- D856,937 S * 8/2019 Rupert D13/139.4
- 2011/0120351 A1 5/2011 Shoenfeld
- 2012/0315787 A1 12/2012 Wiest et al.
- 2014/0096706 A1 4/2014 Labrosse et al.
- 2015/0147910 A1 5/2015 Johnescu et al.
- 2016/0095426 A1 4/2016 Tempas

* cited by examiner

Primary Examiner — Rhea Shields

(74) *Attorney, Agent, or Firm* — Taylor IP, P.C.

(57) **CLAIM**

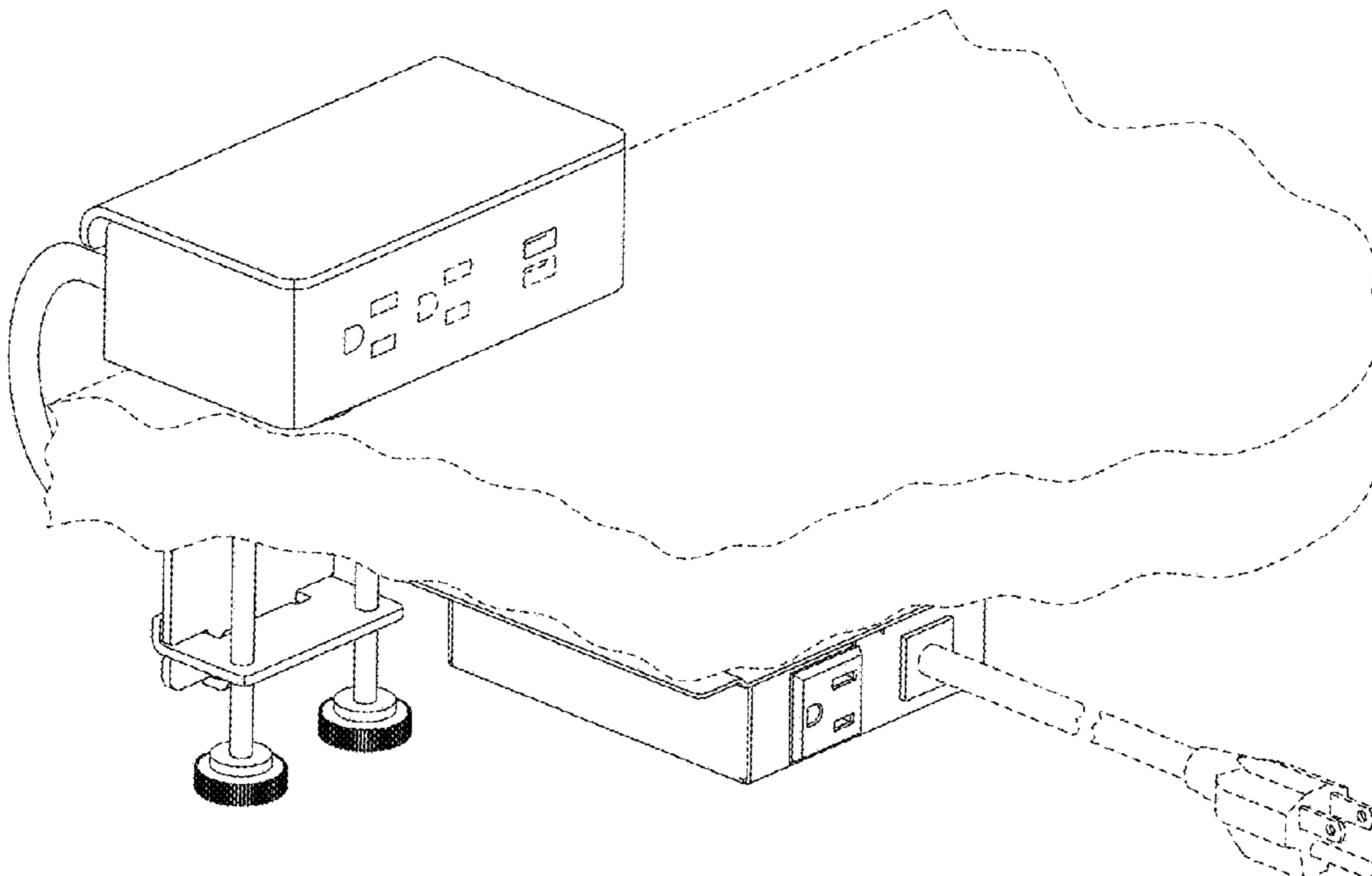
The ornamental design for the electrical receptacle with in-line power unit, as shown and described.

DESCRIPTION

FIG. 1 is a perspective view of an electrical receptacle with in-line power unit showing my new design;
FIG. 2 is a side view thereof;
FIG. 3 is a front view thereof;
FIG. 4 is another side view thereof;
FIG. 5 is a back view thereof;
FIG. 6 is a top view thereof; and,
FIG. 7 is a bottom view thereof.

In the drawings, the broken lines depict unclaimed subject matter only and form no part of the claimed design.

1 Claim, 7 Drawing Sheets



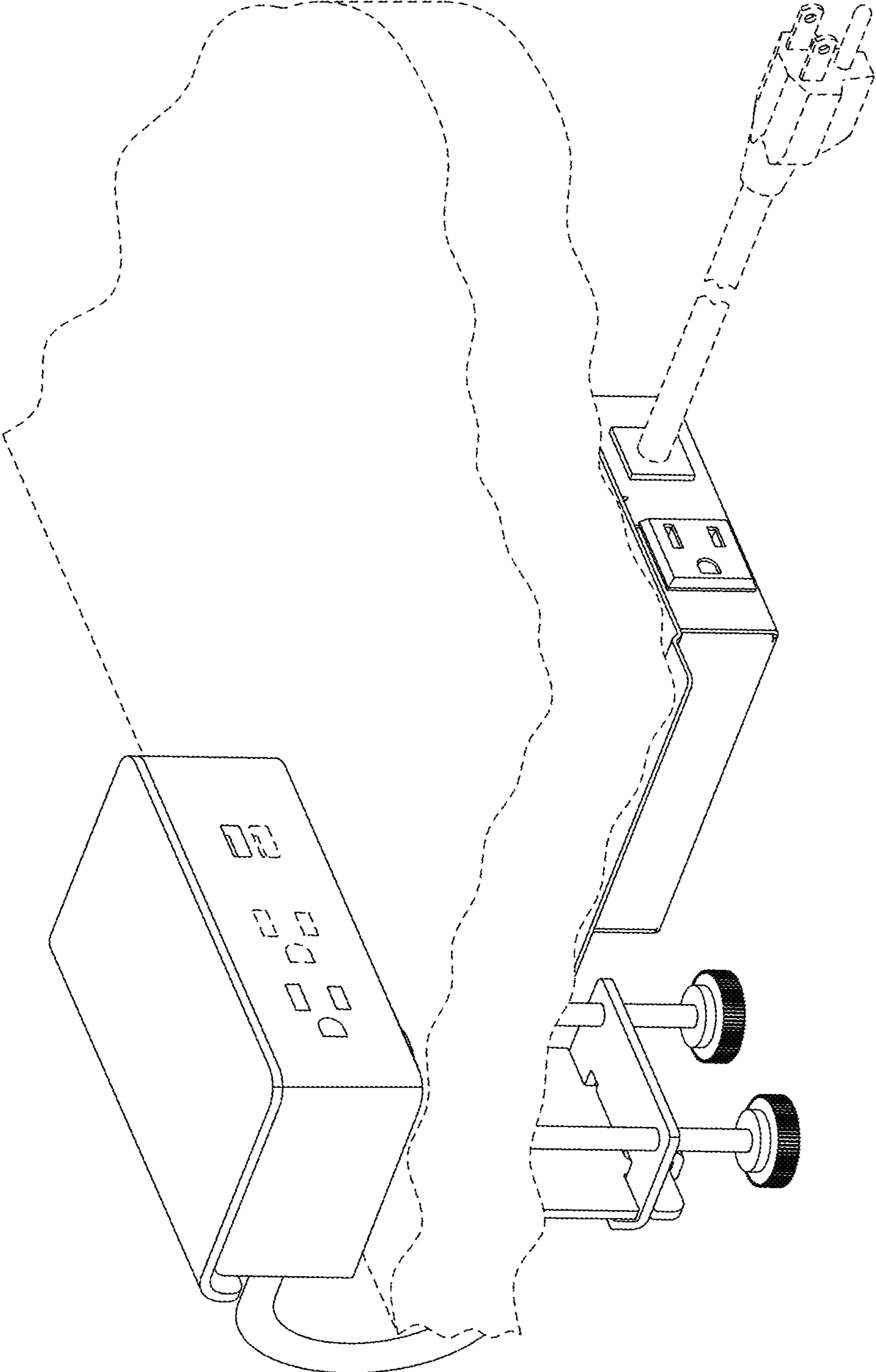


FIG. 1

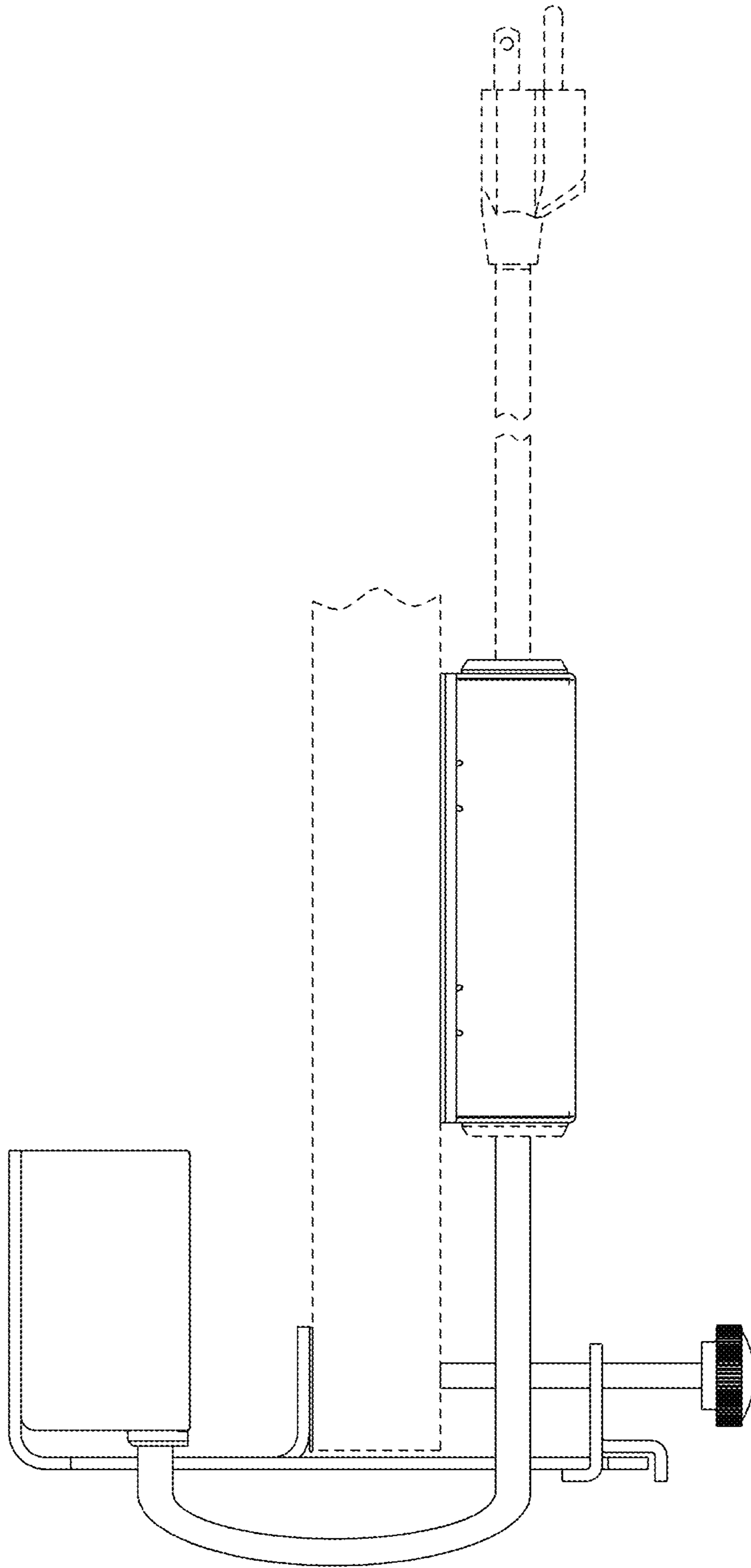


FIG. 2

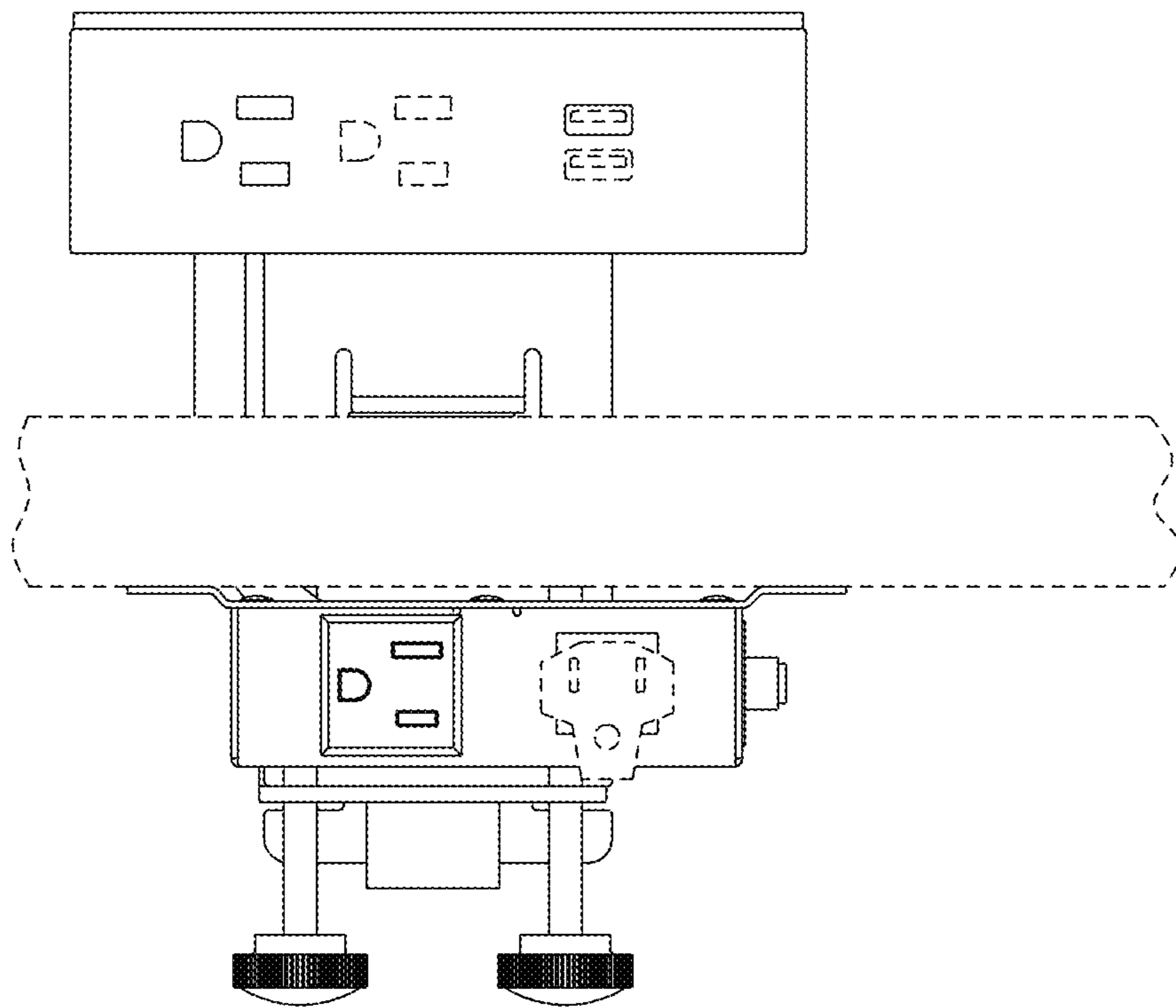


FIG. 3

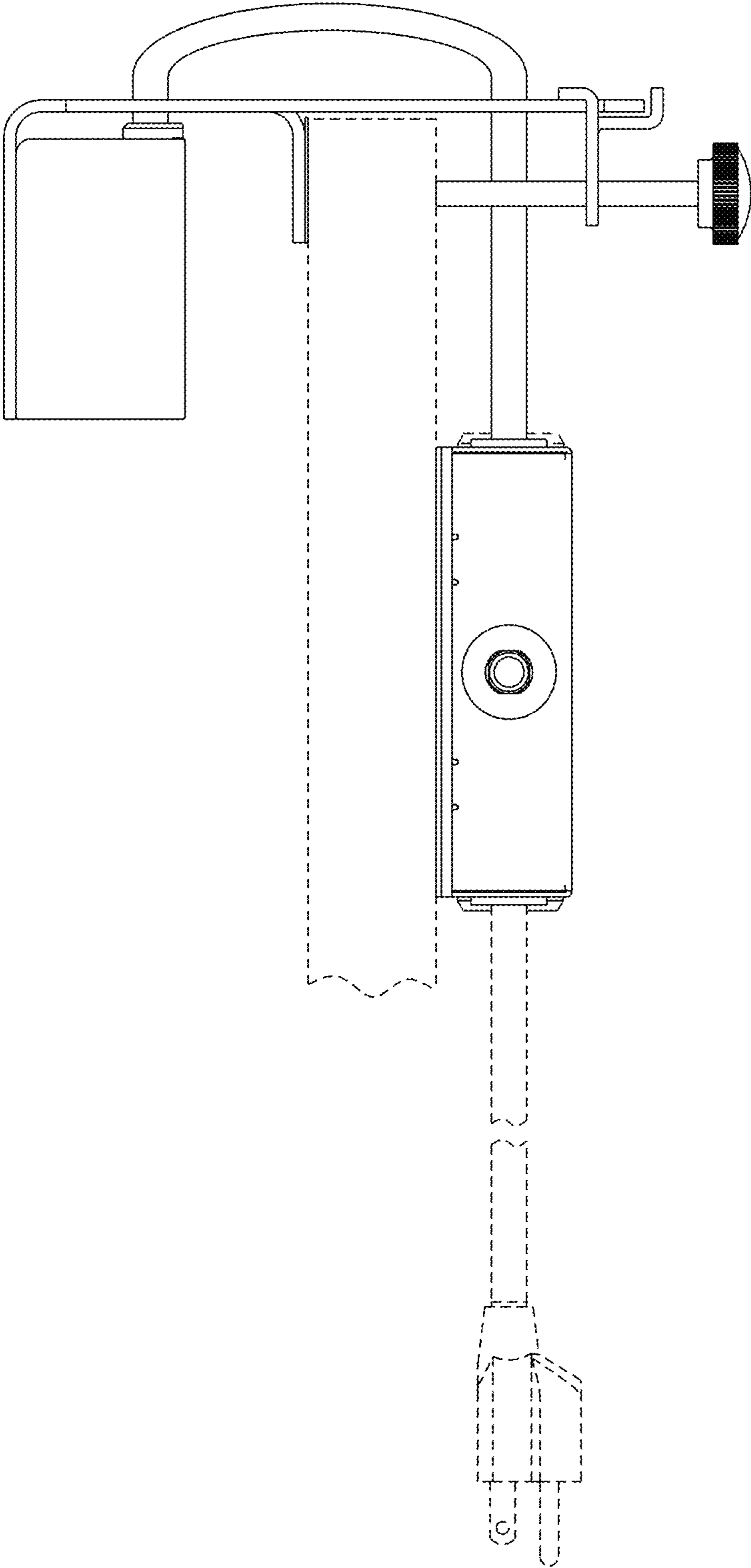


FIG. 4

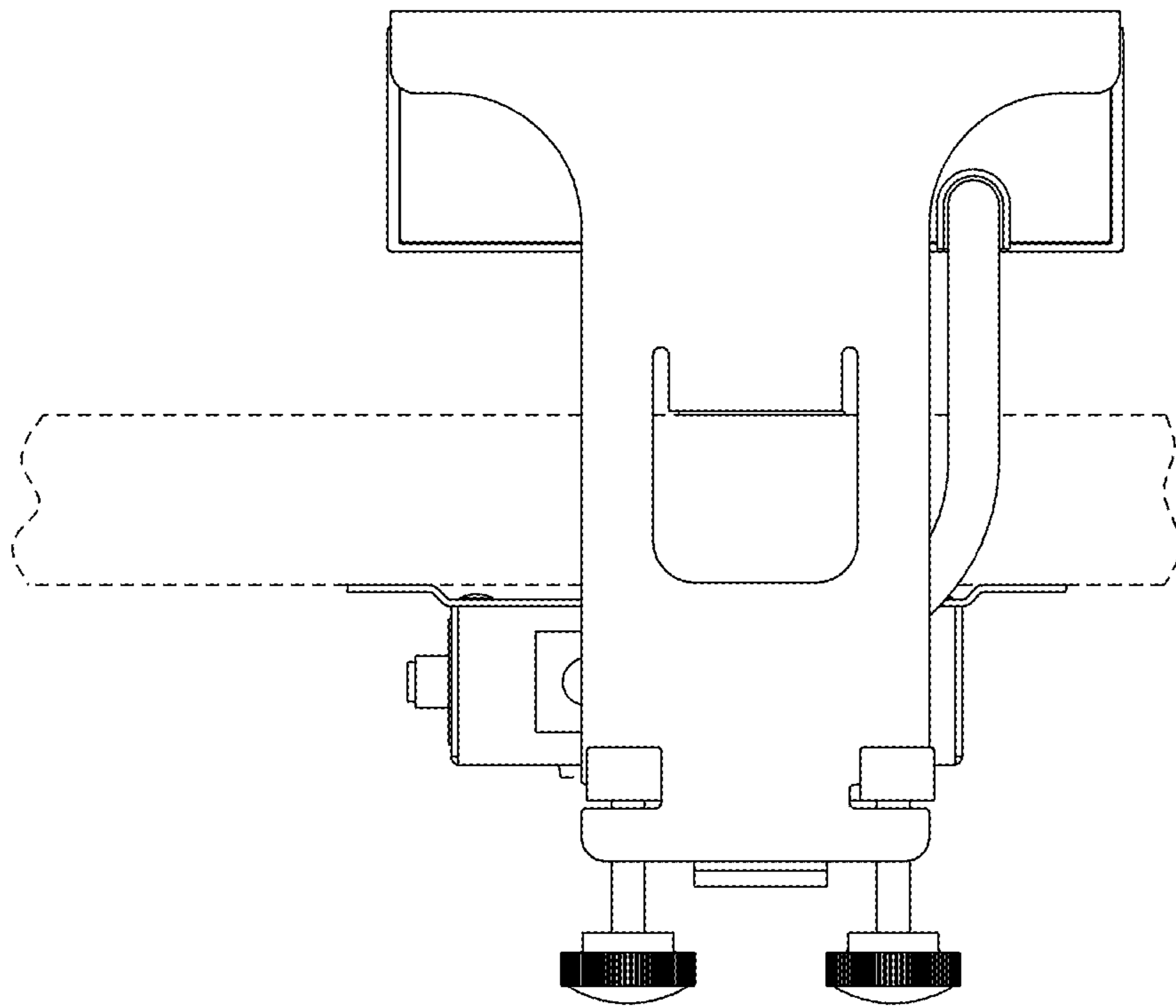


FIG. 5

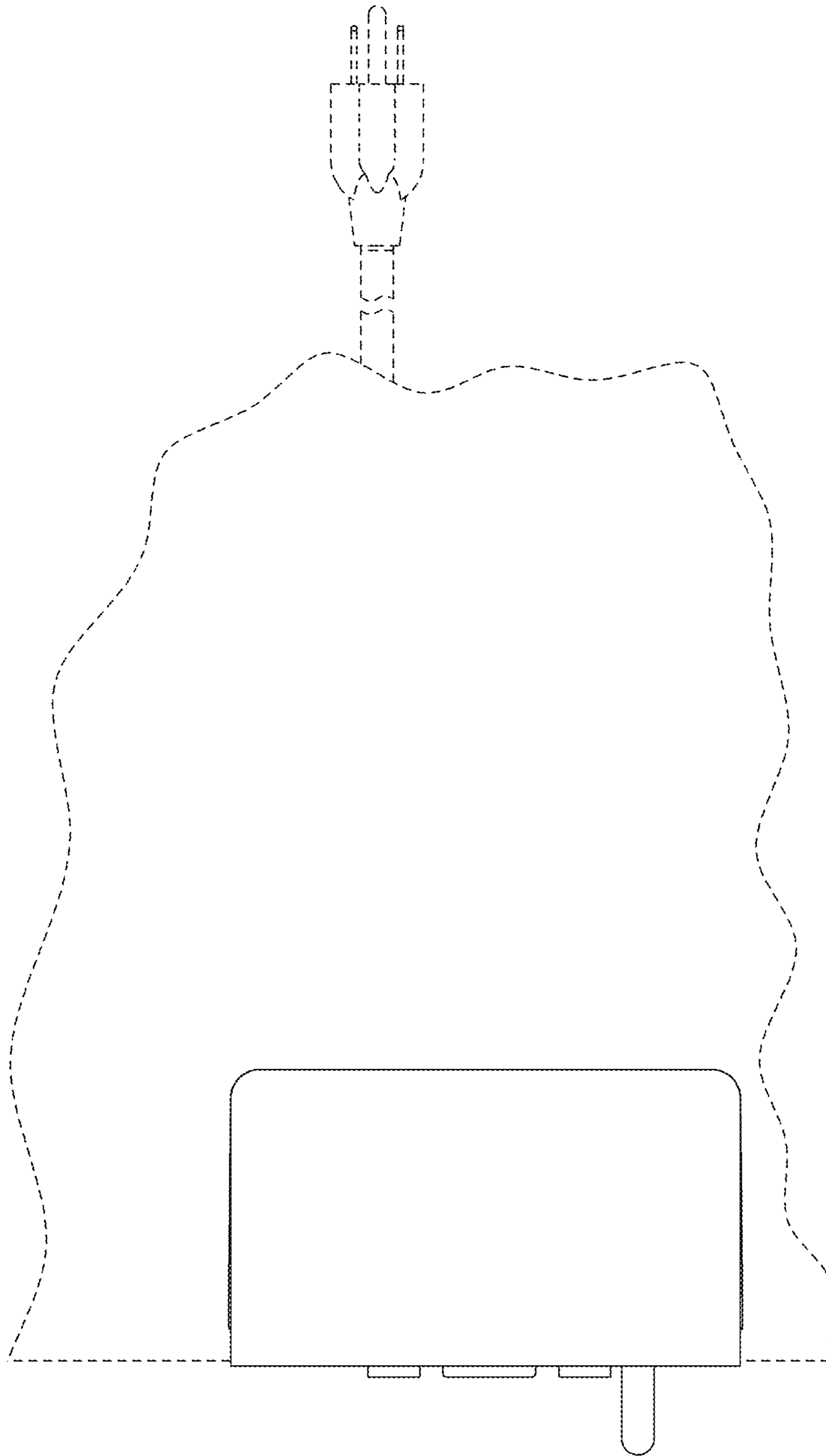


FIG. 6

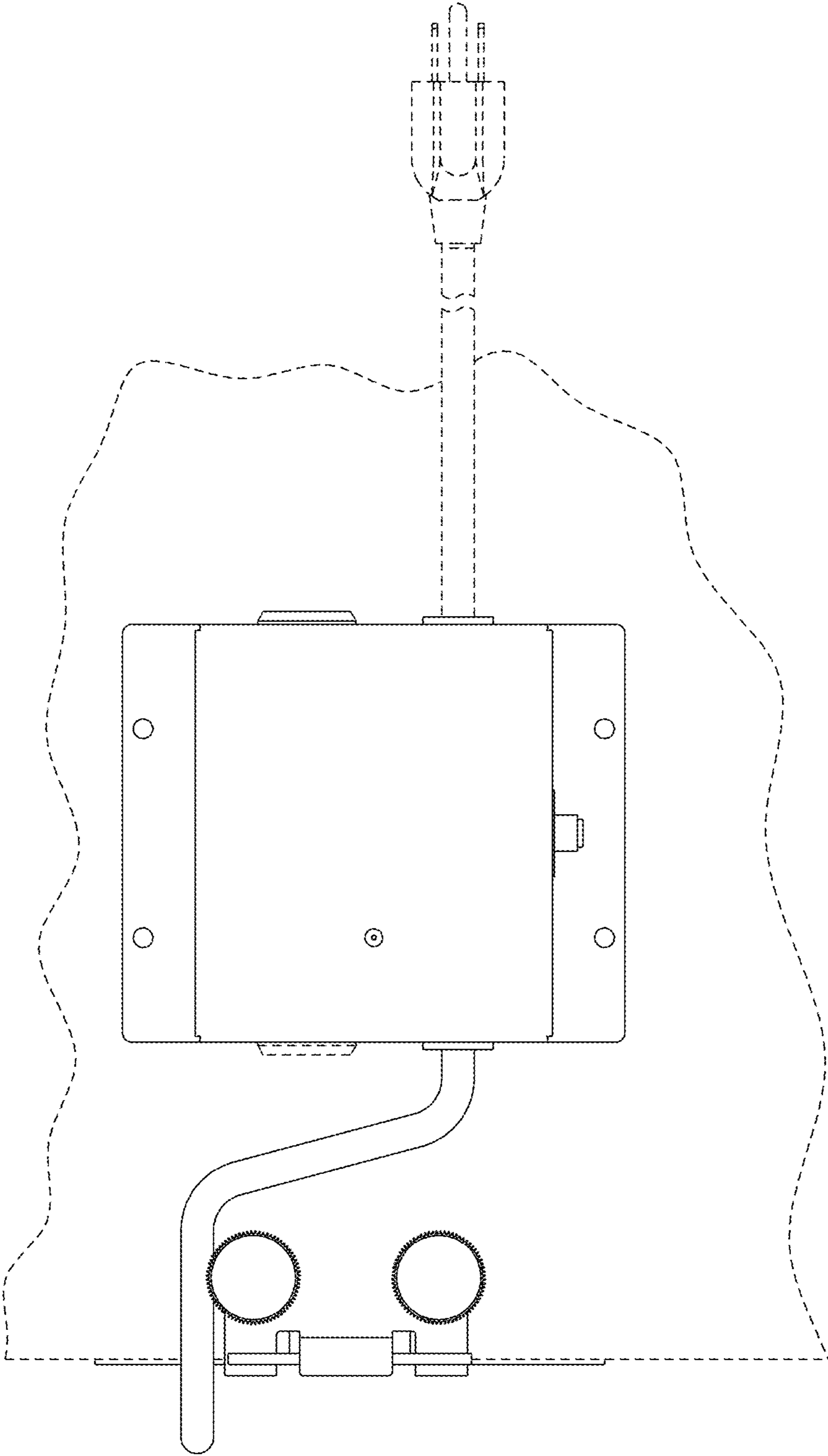


FIG. 7