

US00D869396S

(12) **United States Design Patent**
Yu et al.

(10) **Patent No.:** **US D869,396 S**

(45) **Date of Patent:** **** Dec. 10, 2019**

(54) **ELECTRICAL PLUG**

(71) Applicant: **NINGBO WELL ELECTRIC APPLANCE CO., LTD.**, Ningbo (CN)

(72) Inventors: **Guolin Yu**, Ningbo (CN); **Baoliang Xu**, Ningbo (CN)

(73) Assignee: **NINGBO WELL ELECTRIC APPLANCE CO., LTD.**, Ningbo (CN)

(**) Term: **15 Years**

(21) Appl. No.: **29/663,474**

(22) Filed: **Sep. 16, 2018**

(30) **Foreign Application Priority Data**

Sep. 4, 2018 (CN) 2018 3 0494551

(51) **LOC (12) Cl.** **13-03**

(52) **U.S. Cl.**
USPC **D13/137.2**

(58) **Field of Classification Search**

USPC D13/103, 107, 108, 110, 118, 119, 123,
D13/133, 137.1-137.4, 138.1-138.2,
D13/139.1-139.8, 152-154, 184, 199
CPC H01R 25/00; H01R 25/006; H01R 13/00;
H01R 13/04; H01R 13/10; H01R
13/6666; H01R 13/6675; H01R 9/00;
H01R 11/00; H01H 2207/00; H01H
2207/022; H01H 2203/00; H02J 7/00;
H02J 7/0003; H02J 7/0011; H02J 7/0013;
H02J 7/0054; H02J 7/0055; H02J 7/0057;
H01M 2/02; H01M 2/022; H01M 2/0202;
H01M 2/0207; H01M 2/0212; H01M
2220/10; H01M 2220/20; Y02E 60/12;
Y02E 60/122; Y02E 60/124; Y02E 60/50

See application file for complete search history.

(56) **References Cited**

U.S. PATENT DOCUMENTS

D466,867	S	*	12/2002	Krobusek	D13/137.4
D469,062	S	*	1/2003	Nieto	D13/137.2
D483,331	S	*	12/2003	Adachi	D13/139.7
D533,836	S	*	12/2006	Young	D13/137.1
D534,126	S	*	12/2006	Chan	D13/139.1
D562,240	S	*	2/2008	Lee	D13/137.2
D586,743	S	*	2/2009	Guccione	D13/107
D594,823	S	*	6/2009	Ho'o	D13/139.1
D612,333	S	*	3/2010	Wu	D13/139.1
D614,134	S	*	4/2010	Chen	D13/137.2
D618,617	S	*	6/2010	Lee	D13/137.2
D651,977	S	*	1/2012	Lee	D13/139.1
D667,792	S	*	9/2012	Angel	D13/133
D686,993	S	*	7/2013	Millar-Sax	D13/137.2
D790,459	S	*	6/2017	Eshelman	D13/110

(Continued)

Primary Examiner — Rosemary K Tarcza

Assistant Examiner — Christy M Nemeth

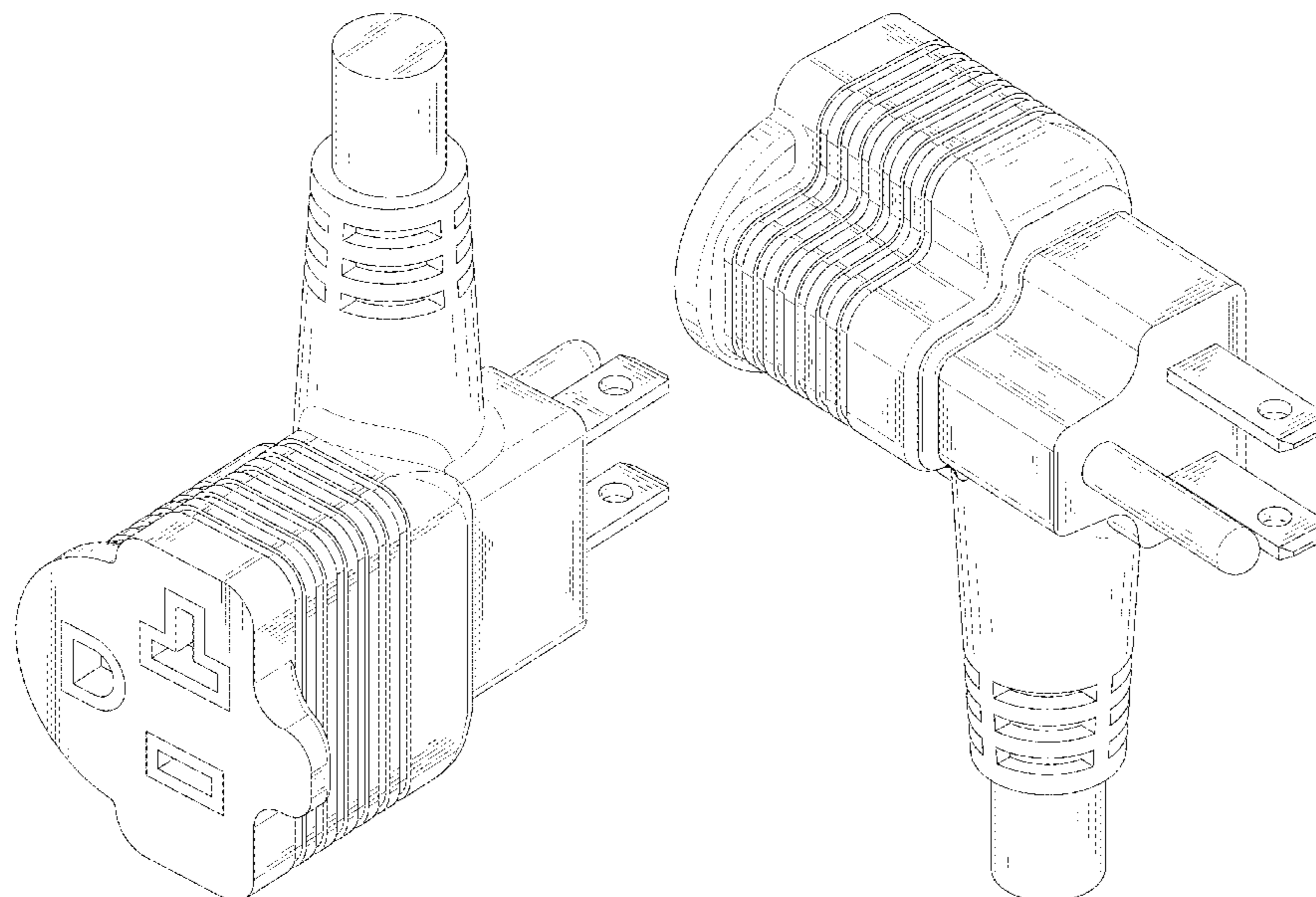
(57) **CLAIM**

The ornamental design for an electrical plug, as shown and described.

DESCRIPTION

FIG. 1 is a right, rear, bottom perspective view of an electrical plug showing our new design;
FIG. 2 is a left, front, top perspective view thereof;
FIG. 3 is a rear elevational view thereof;
FIG. 4 is a front elevational view thereof;
FIG. 5 is a right side elevational view thereof;
FIG. 6 is a left side elevational view thereof;
FIG. 7 is a top plan view thereof;
FIG. 8 is a bottom plan view thereof; and,
FIG. 9 is an enlarged view of circled portion IX in FIG. 8. The dash-dot line shown in FIGS. 8-9 is for the purpose of illustrating the boundaries of the enlarged fragment shown in FIG. 9, and forms no part of the claimed design.

1 Claim, 9 Drawing Sheets



(56)

References Cited

U.S. PATENT DOCUMENTS

D810,017 S * 2/2018 Short D13/108
D817,887 S * 5/2018 Yu D13/139.1
D821,978 S * 7/2018 Yu D13/139.7

* cited by examiner

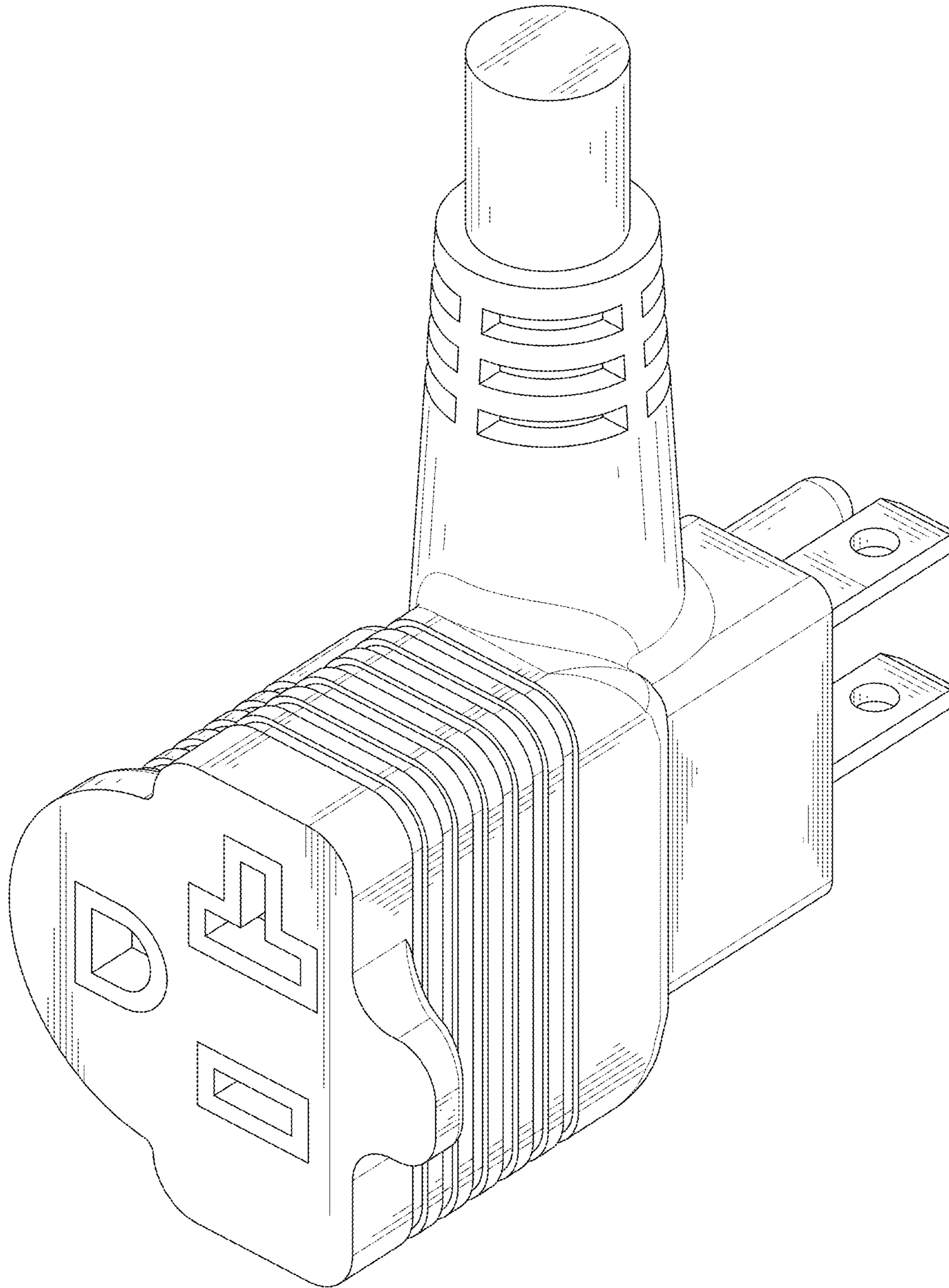


FIG. 1

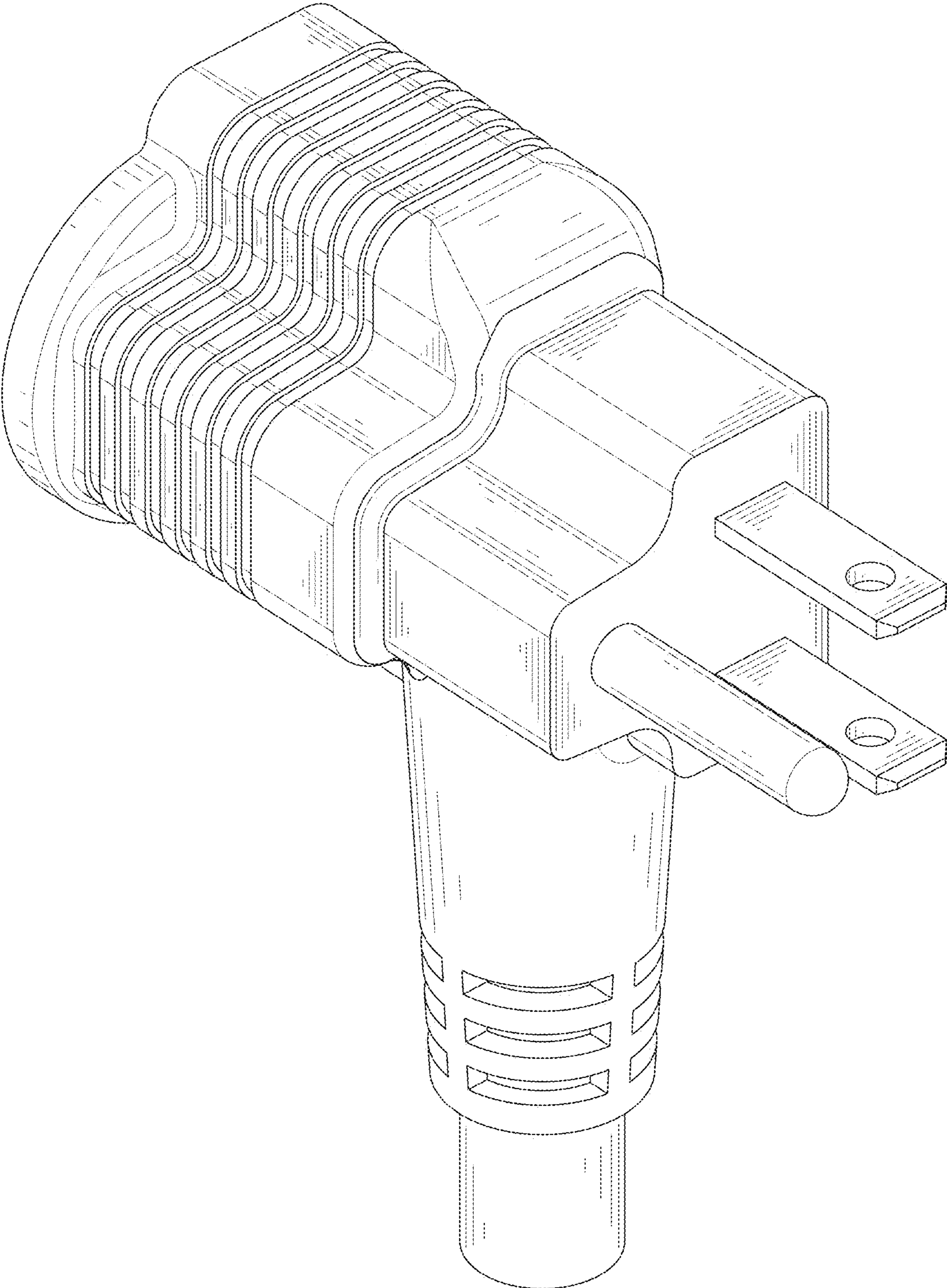


FIG. 2

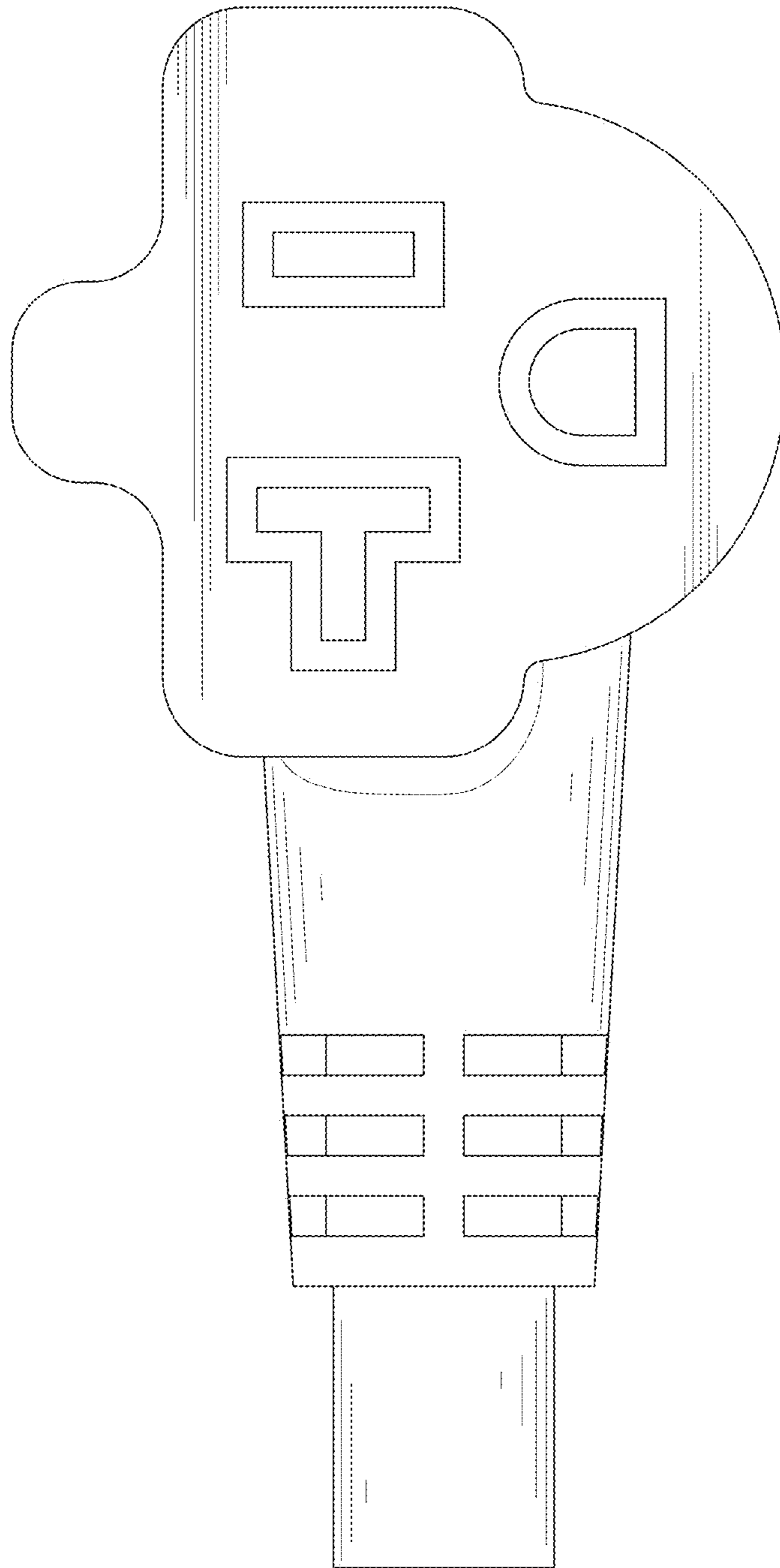


FIG. 3

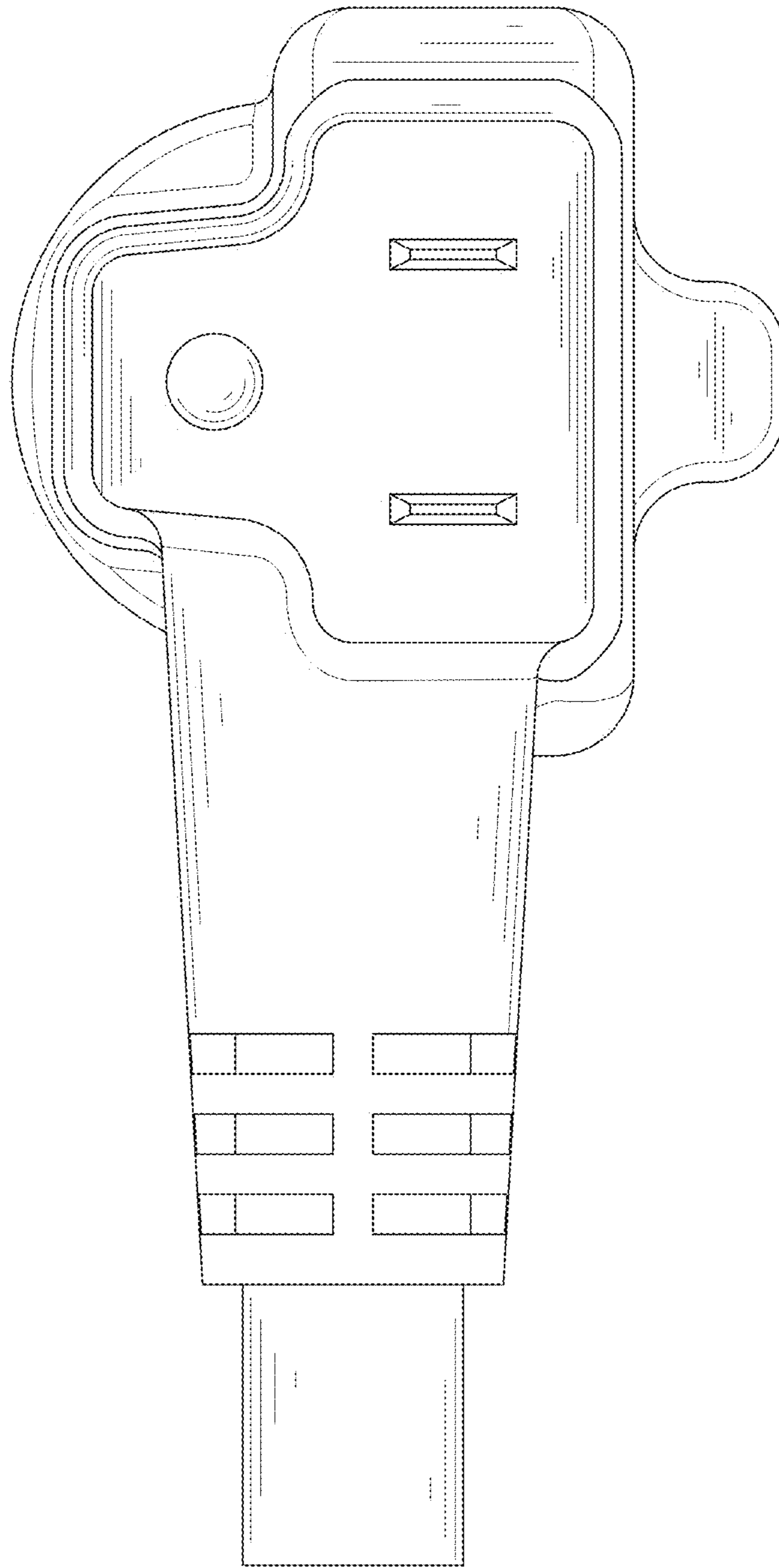


FIG. 4

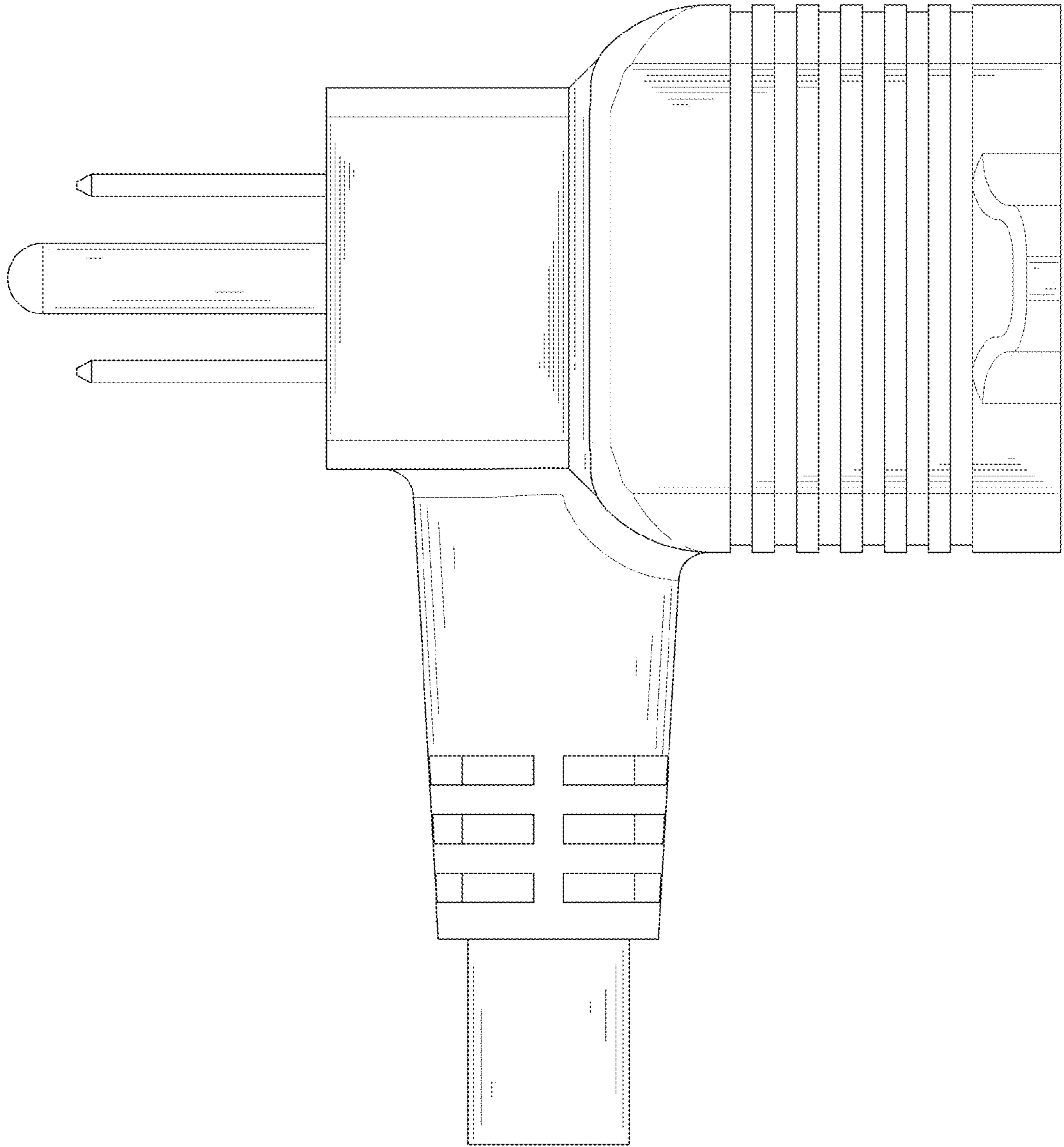


FIG. 5

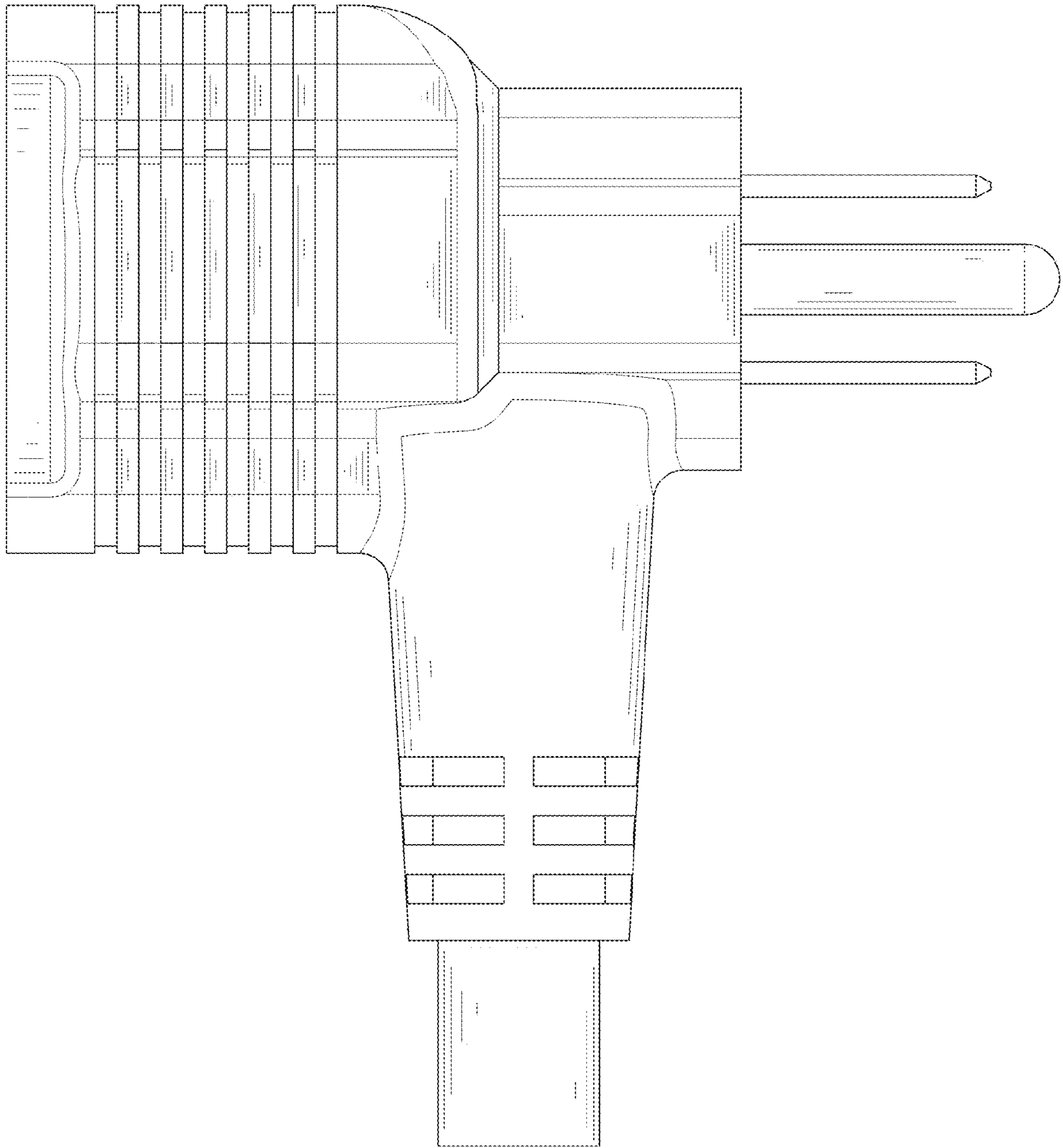


FIG. 6

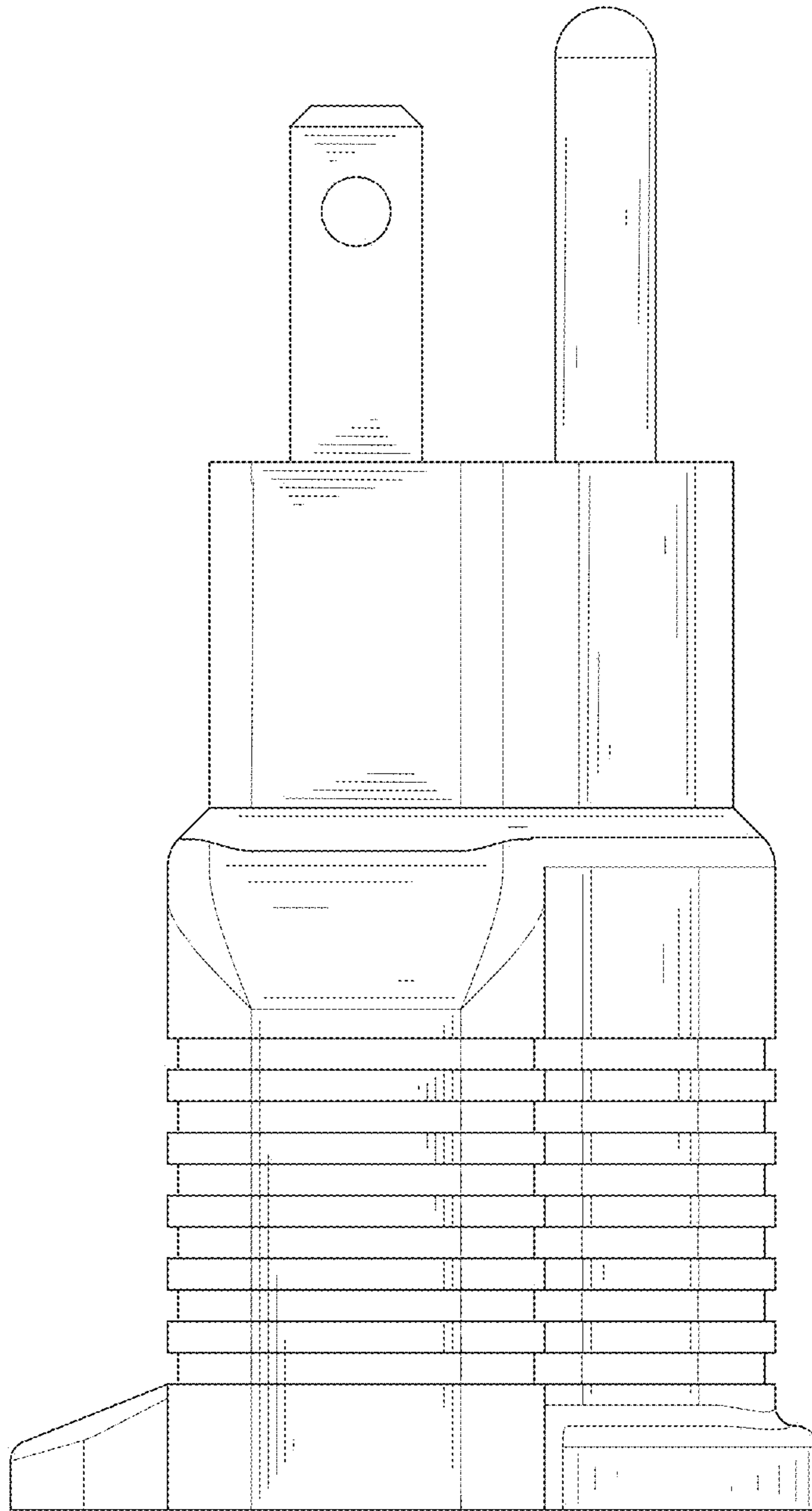


FIG. 7

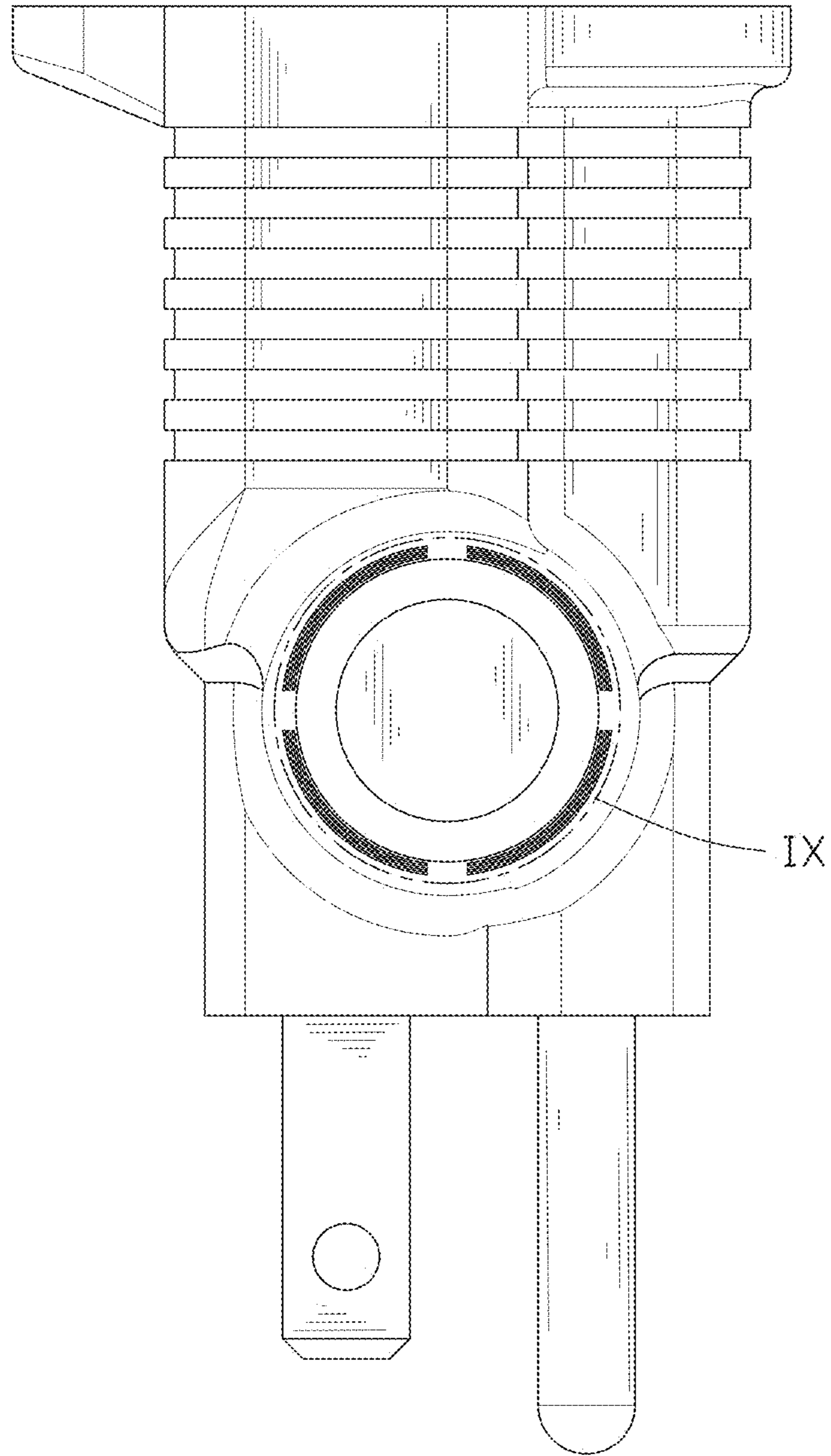


FIG. 8

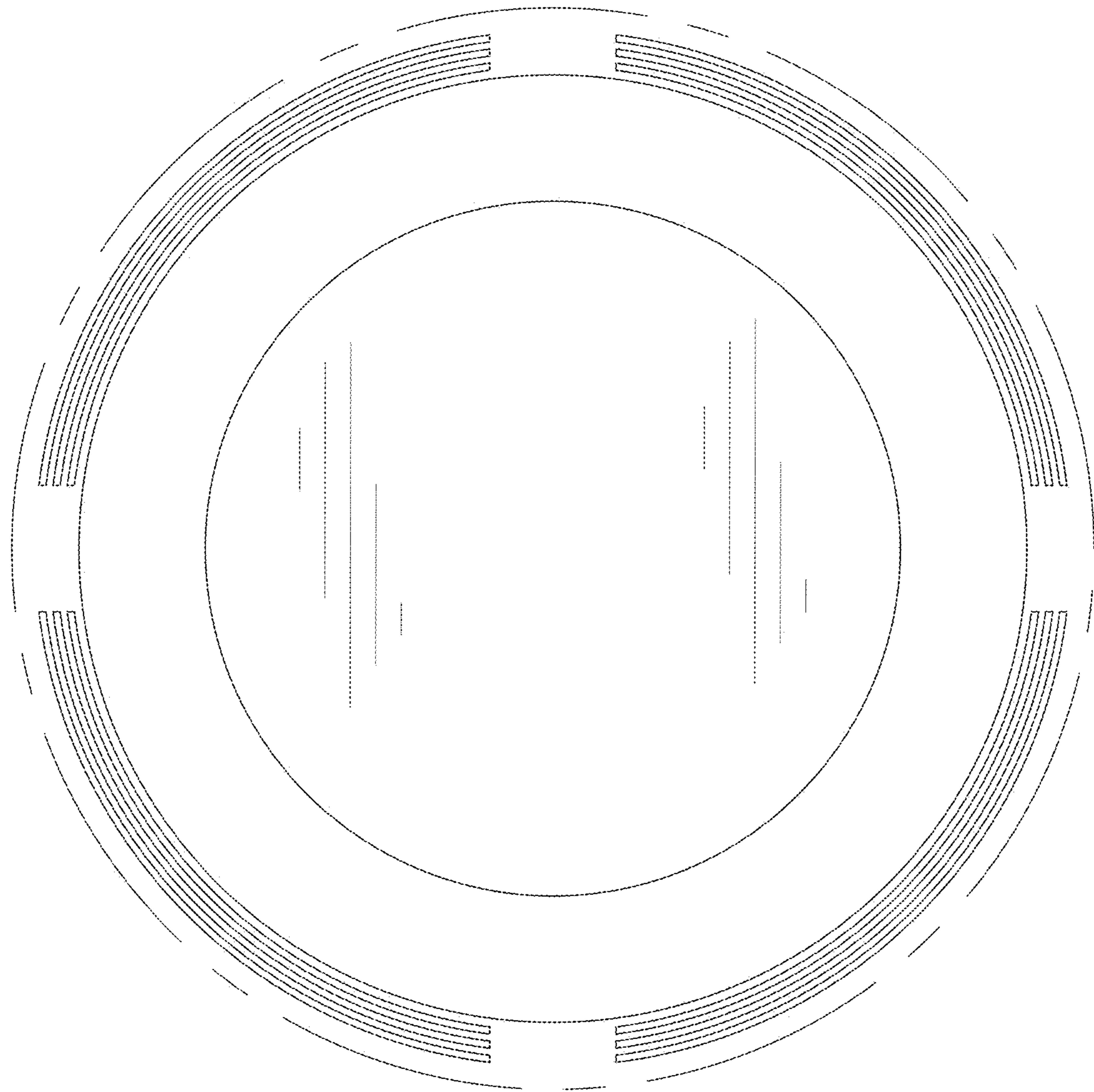


FIG. 9