



US00D869395S

(12) **United States Design Patent** (10) **Patent No.:** **US D869,395 S**  
**Huang et al.** (45) **Date of Patent:** **\*\* Dec. 10, 2019**

(54) **GUIDE VANE**

7/0248; F05D 2250/711; F05D 2250/712;  
Y02E 10/74

(71) Applicant: **GRAND MATE CO., LTD.**, Taichung  
(TW)

See application file for complete search history.

(72) Inventors: **Chung-Chin Huang**, Taichung (TW);  
**Chin-Ying Huang**, Taichung (TW);  
**Hsin-Ming Huang**, Taichung (TW);  
**Hsing-Hsiung Huang**, Taichung (TW);  
**Yen-Jen Yeh**, Taichung (TW);  
**Wei-Long Chen**, Taichung (TW);  
**Kuan-Chou Lin**, Taichung (TW);  
**Tang-Yuan Luo**, Taichung (TW)

(56) **References Cited**

U.S. PATENT DOCUMENTS

D554,546	S	*	11/2007	Hart	.....	D10/59
D610,542	S	*	2/2010	Raisanen	.....	D13/115
D671,070	S	*	11/2012	Joutsiniemi	.....	D13/115
D675,983	S	*	2/2013	Berdan	.....	D13/115
D704,136	S	*	5/2014	Rubio	.....	D13/115
2004/0061337	A1	*	4/2004	Becker	.....	F03D 3/002 290/44
2007/0029807	A1	*	2/2007	Kass	.....	F03D 3/065 290/55
2009/0317255	A1	*	12/2009	Bertony	.....	F03D 3/061 416/198 R
2011/0006542	A1	*	1/2011	Burrell, IV	.....	F03D 3/049 290/55
2016/0160838	A1	*	6/2016	Zhang	.....	F03D 3/064 416/204 R

(73) Assignee: **GRAND MATE CO., LTD.**, Taichung  
(TW)

(\*\*) Term: **15 Years**

\* cited by examiner

(21) Appl. No.: **29/596,963**

*Primary Examiner* — Derrick E Holland

(22) Filed: **Mar. 13, 2017**

(74) *Attorney, Agent, or Firm* — Muncy, Geissler, Olds & Lowe, P.C.

(51) **LOC (12) Cl.** ..... **13-01**

(52) **U.S. Cl.**  
USPC ..... **D13/115**

(57) **CLAIM**

The ornamental design for a guide vane, as shown and described.

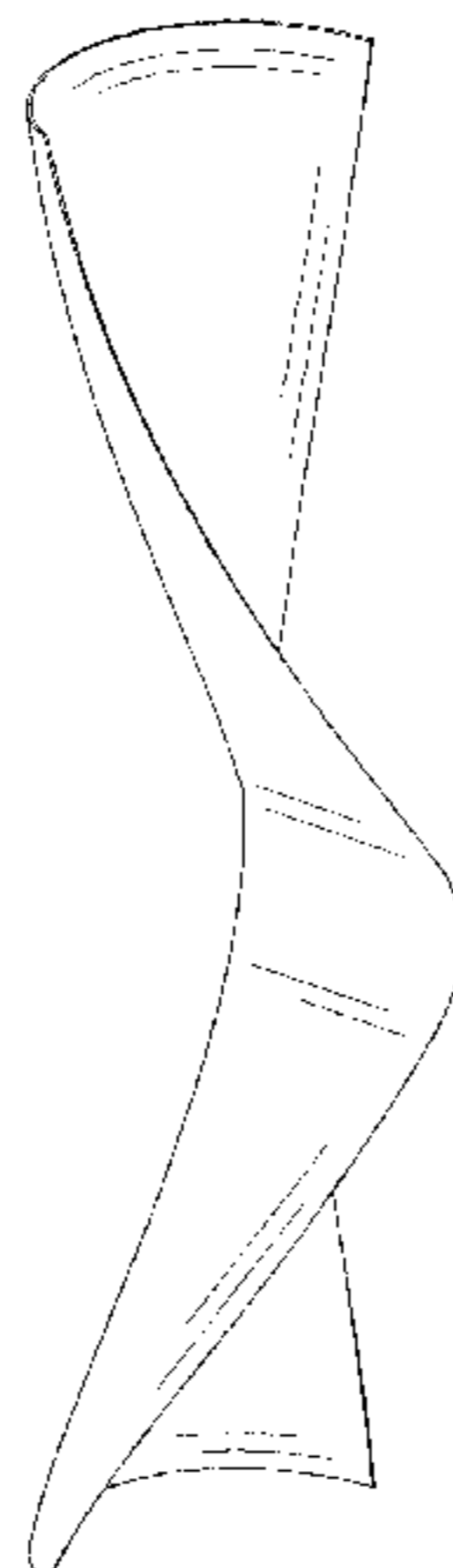
(58) **Field of Classification Search**

USPC ..... D13/115, 118, 122, 184, 199; D12/213,  
D12/214, 344, 345; D23/377; D21/441,  
D21/453, 458; 290/44, 52, 54, 55;  
415/199.4, 916; 416/24, 31, 37, 38,  
416/132 B, 132 R, 141, 142, 176, 177,  
416/186 R, 196 A, 223 A  
CPC . F03D 1/00; F03D 1/06; F03D 1/0625; F03D  
1/0633; F03D 3/00; F03D 3/002; F03D  
3/005; F03D 3/02; F03D 3/04; F03D  
3/06; F03D 3/049; F03D 3/061; F03D  
3/062; F03D 3/064; F03D 3/065; F03D  
3/068; F03D 7/06; F03D 7/0236; F03D

**DESCRIPTION**

FIG. 1 is a perspective view of a guide vane showing our new design;  
FIG. 2 is a front view of the guide vane;  
FIG. 3 is a rear view of the guide vane;  
FIG. 4 is a left side view of the guide vane;  
FIG. 5 is a right side view of the guide vane;  
FIG. 6 is a top view of the guide vane;  
FIG. 7 is a bottom view of the guide vane; and,  
FIG. 8 is a perspective view of the guide vane shown in environmental use.

(Continued)



The broken lines shown represent environmental subject matter and form no part of the claimed design.

**1 Claim, 7 Drawing Sheets**

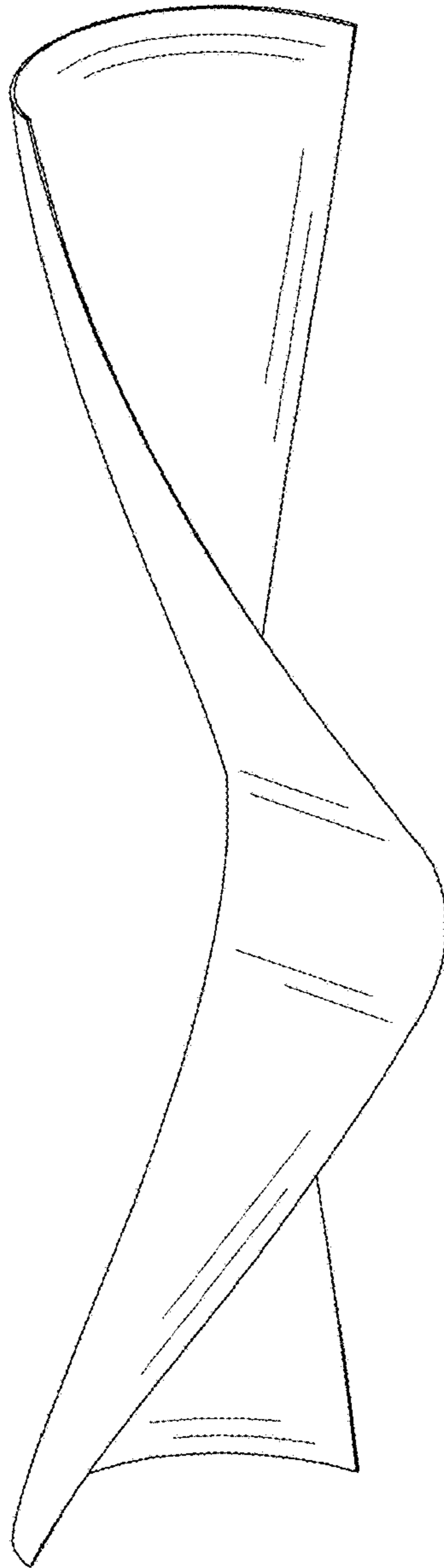


FIG.1

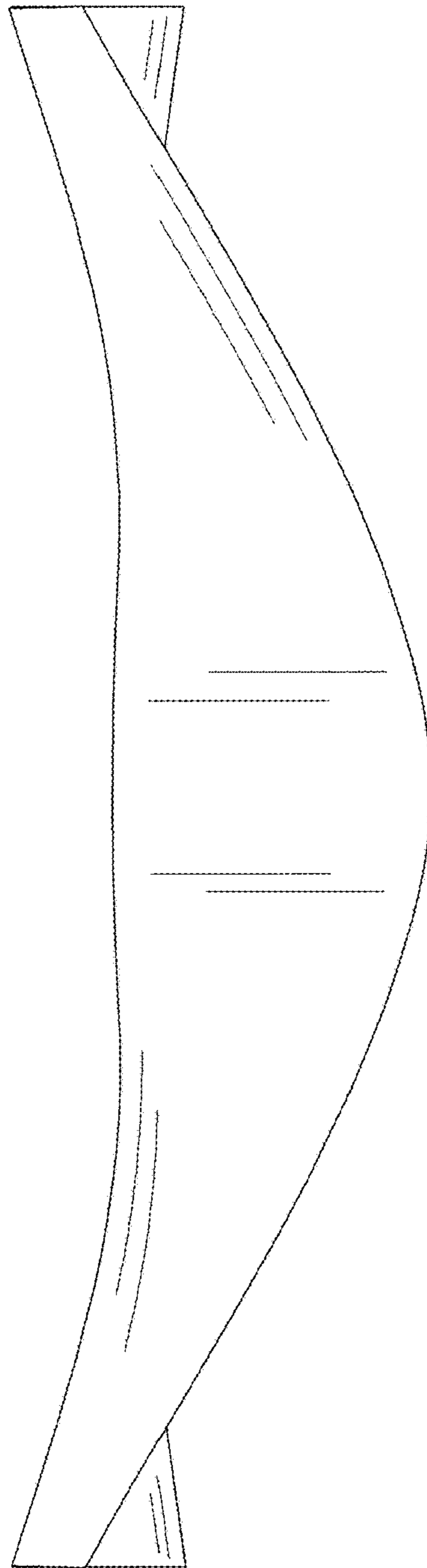


FIG. 2

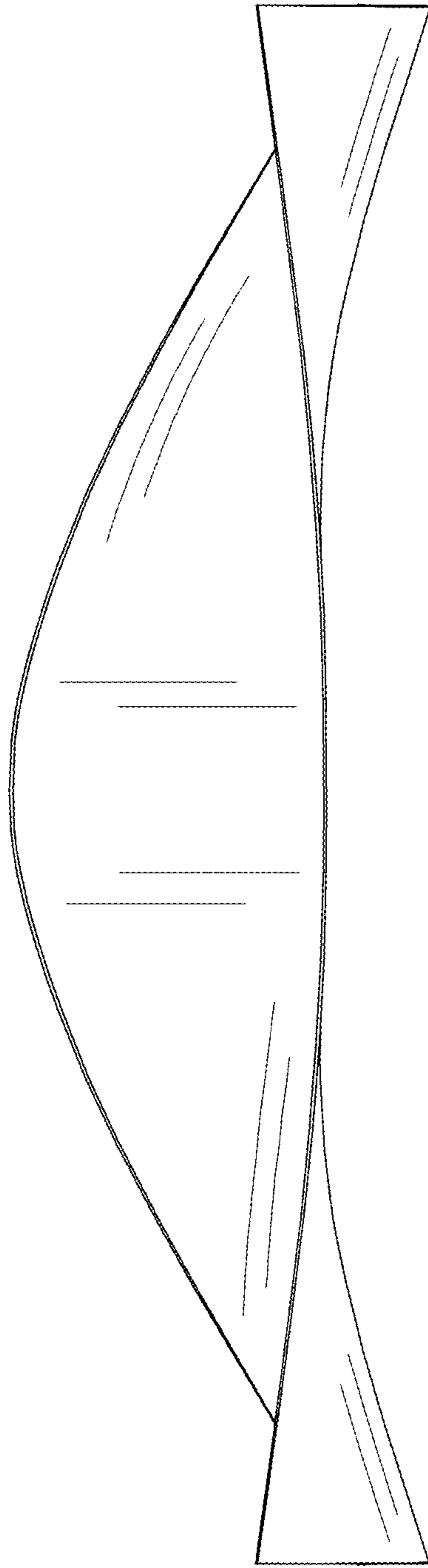


FIG. 3

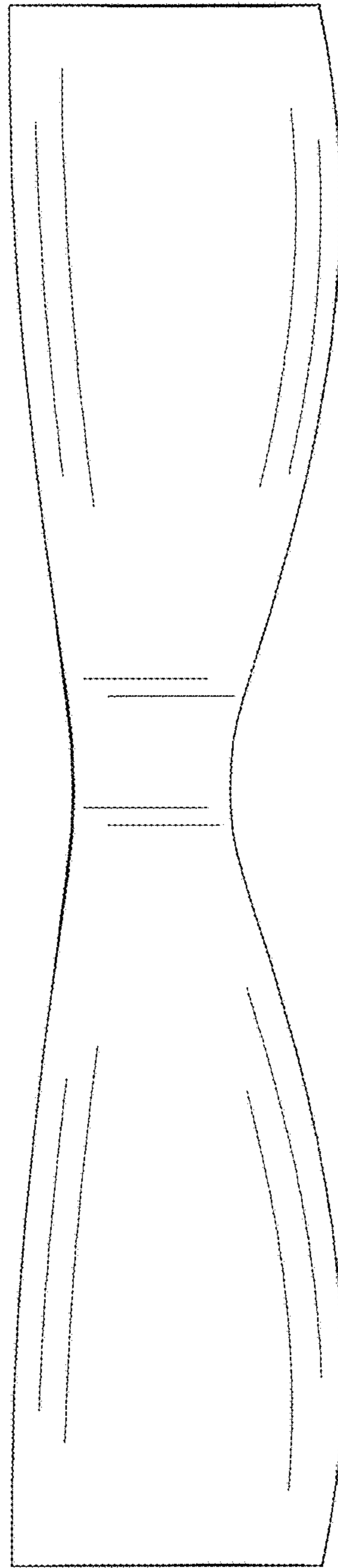


FIG. 4

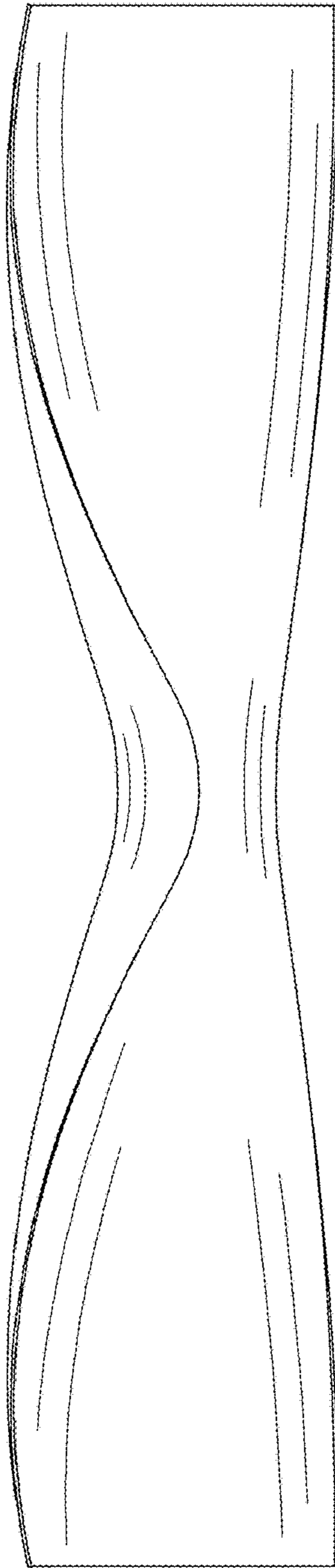


FIG. 5

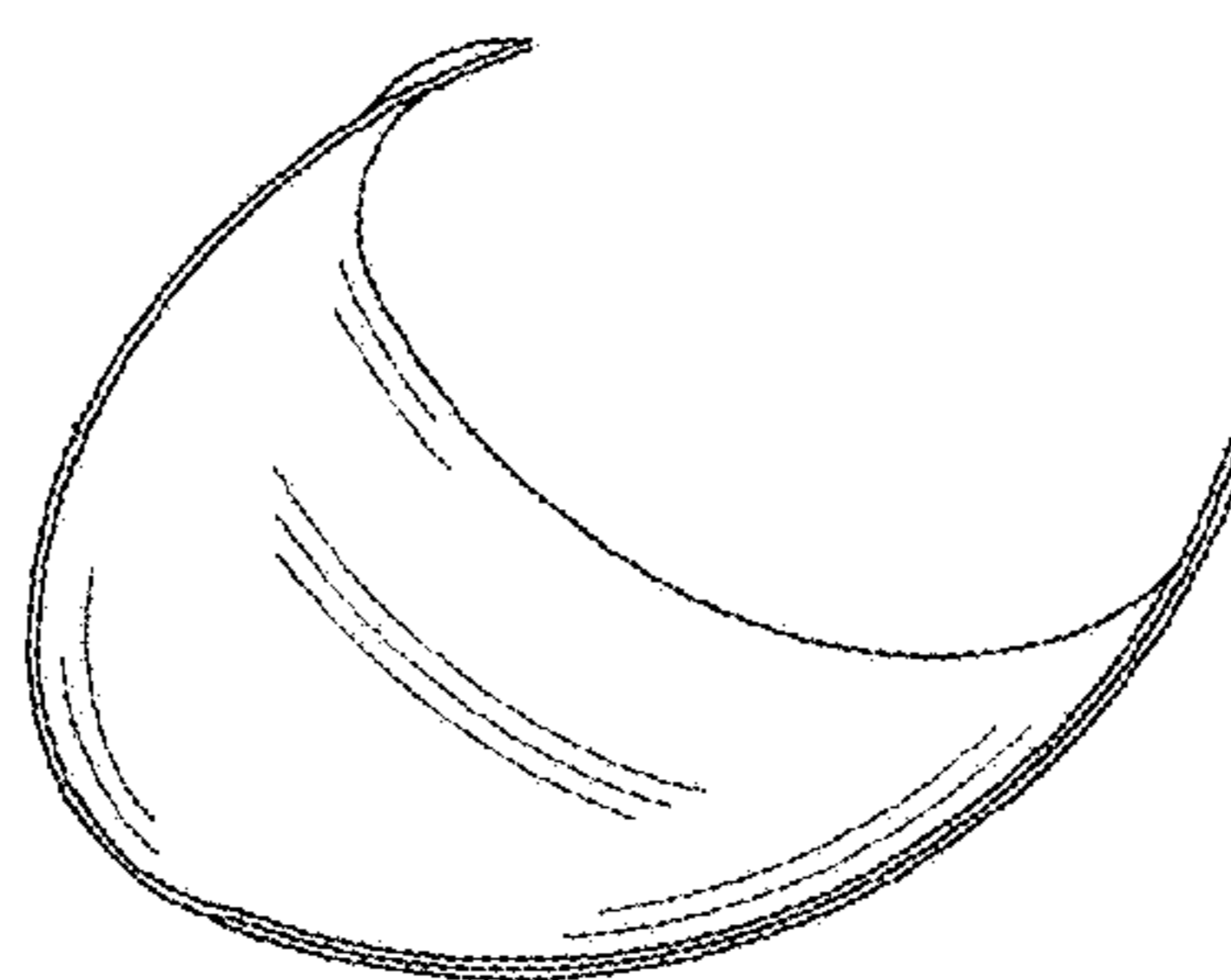


FIG. 6

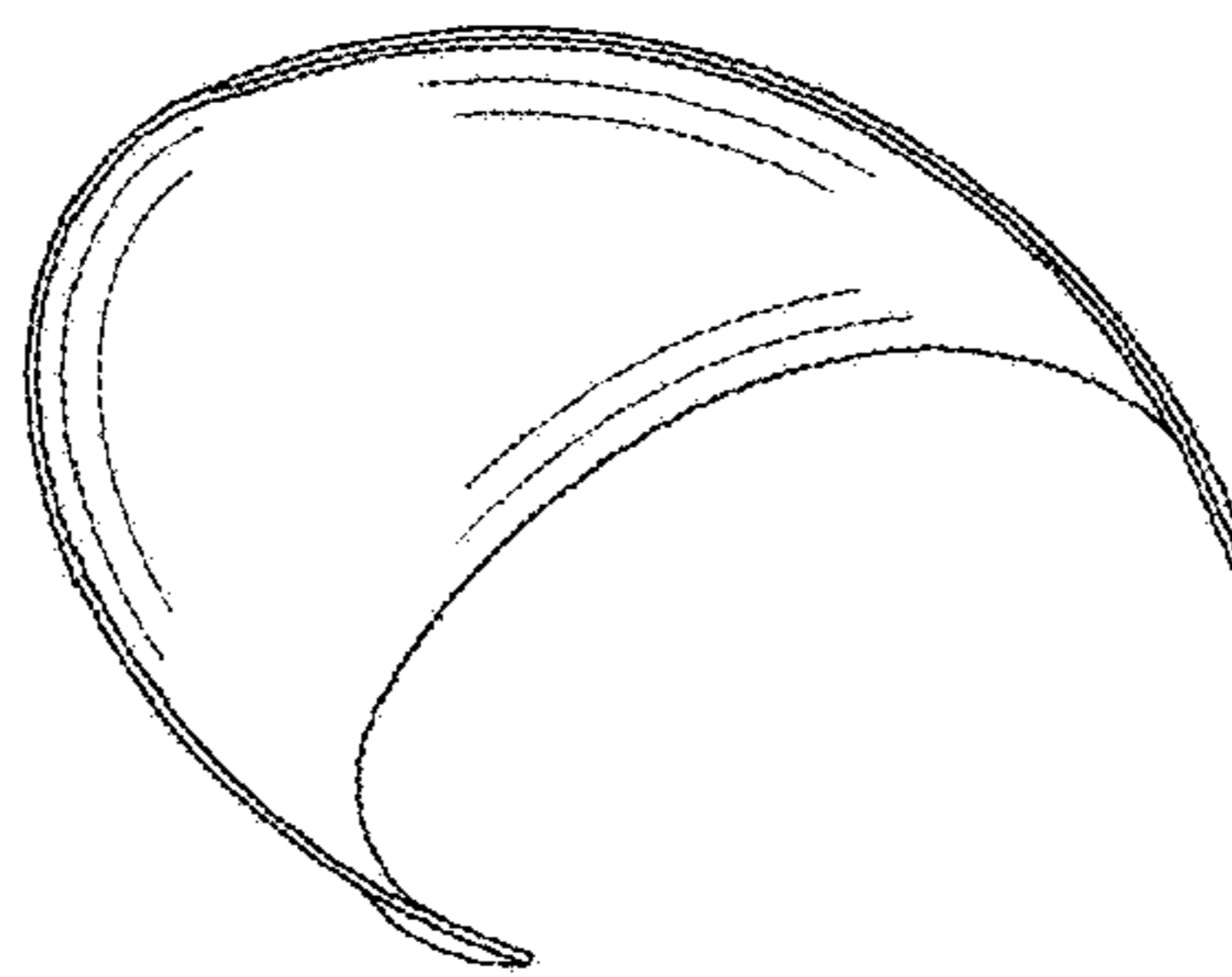


FIG. 7



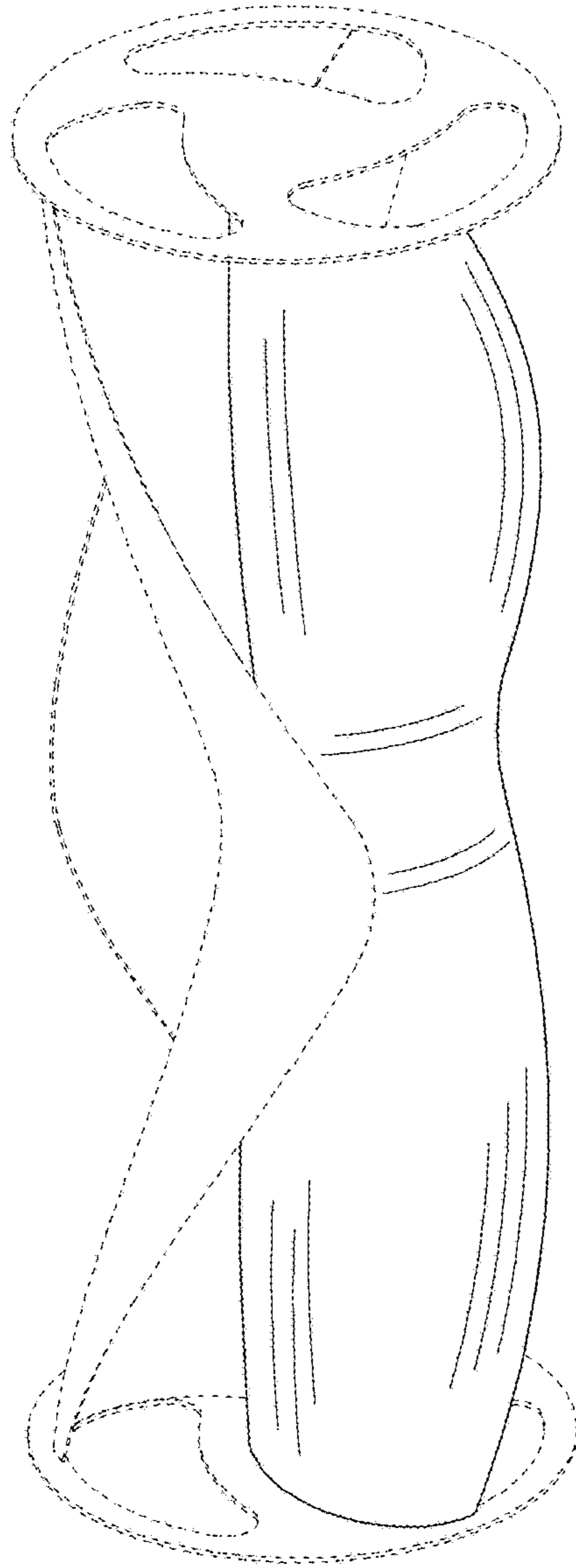


FIG. 8