



US00D869394S

(12) **United States Design Patent** (10) **Patent No.:** **US D869,394 S**
Robredo et al. (45) **Date of Patent:** **** Dec. 10, 2019**

(54) **UNINTERRUPTIBLE POWER SUPPLY WITH CHANGING ELONGATED LIGHT EMITTERS**

(71) Applicant: **Eaton Corporation**, Cleveland, OH (US)

(72) Inventors: **Pedro Robredo**, Raleigh, NC (US); **Bin Gao**, Shenzhen (CN); **Yunpeng Zheng**, Shenzhen (CN)

(73) Assignee: **Eaton Intelligent Power Limited**, Dublin (IE)

(**) Term: **15 Years**

(21) Appl. No.: **29/574,518**

(22) Filed: **Aug. 16, 2016**

Related U.S. Application Data

(63) Continuation of application No. 29/443,874, filed on Jan. 23, 2013, now Pat. No. Des. 764,407, which is a (Continued)

(51) **LOC (12) Cl.** **13-02**

(52) **U.S. Cl.**
USPC **D13/110**

(58) **Field of Classification Search**
USPC D13/110, 118, 123, 133, 163, 184, 199; D14/300, 301, 302, 900; 174/53, 54, 59, 174/61; 307/11, 150, 151; 320/107, 111, 320/112, 113, 114, 115; 361/600, 601, 361/603, 616, 622, 623, 679.01; 363/141, 363/142, 146, 178; 439/131, 172, 626, 439/628, 638
CPC Y04S 10/14; Y04S 10/16; Y04S 10/18; Y02A 30/18; Y02E 60/12; Y02E 60/50; Y02E 60/122; Y02E 60/124; H01M 2/0202; H01M 2/0207; H01M 2/0212; H01M

(Continued)

(56) **References Cited**

U.S. PATENT DOCUMENTS

D403,301 S * 12/1998 Lehmann D13/110
6,657,123 B2 * 12/2003 Moore H02B 1/32
174/38

(Continued)

Primary Examiner — Derrick E Holland

(74) *Attorney, Agent, or Firm* — Myers Bigel, P. A.

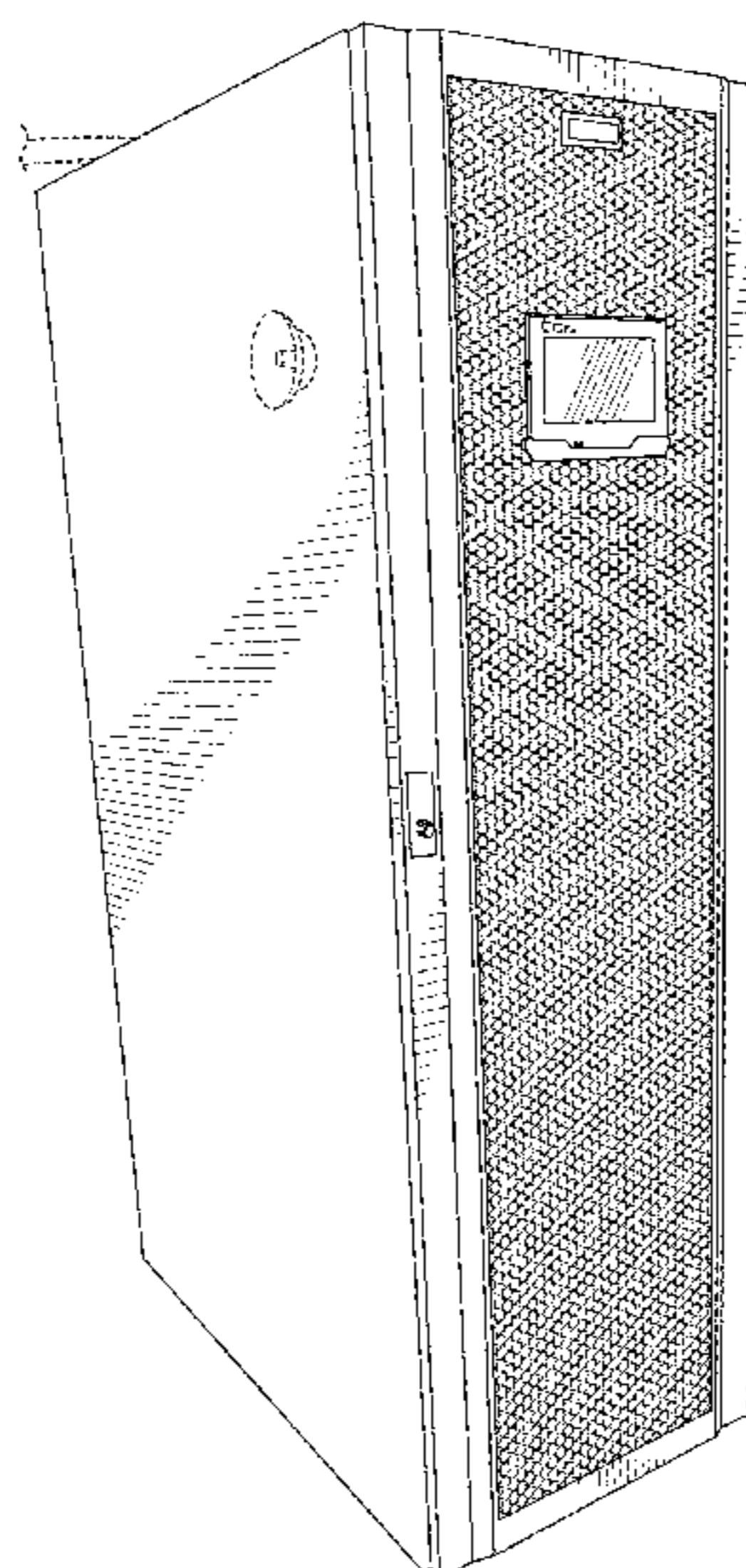
(57) **CLAIM**

The ornamental design for a uninterruptible power supply with changing elongated light emitters, as shown and described.

DESCRIPTION

FIG. 1 is a front perspective view of a first embodiment of an uninterruptible power supply with changing elongated light emitters showing our design; FIG. 2 is an enlarged partial top perspective view thereof; FIG. 3 front view thereof; FIG. 4 is a back view thereof; FIG. 5 is a side view thereof; FIG. 6 is an opposing side view thereof; FIG. 7 is a top view thereof; FIG. 8 is a bottom view thereof; FIG. 9 is a front perspective view of a second embodiment of an uninterruptible power supply with changing elongated light emitters showing our new design; FIG. 10 is a front view thereof; FIG. 11 is an enlarged partial front and left side perspective view in an alternate state thereof; and, FIG. 12 is an enlarged partial front view thereof with the side panels removed for ease of illustration. The different stippling patterns in the drawings indicate surfaces having a contrasting appearance as shown. The broken lines shown represent the portions of the design that form no part of the claimed design.

1 Claim, 12 Drawing Sheets



Related U.S. Application Data

continuation-in-part of application No. 29/441,202,
filed on Jan. 2, 2013, now Pat. No. Des. 742,313.

(58) **Field of Classification Search**

CPC .. 2/1022; H01M 2/1055; H01M 2/105; H01M
2/204; Y02B 70/3291

See application file for complete search history.

(56) **References Cited**

U.S. PATENT DOCUMENTS

D492,650	S *	7/2004	Nishi	D13/110
D508,561	S *	8/2005	Raspotnig	D23/393
D509,184	S *	9/2005	Schuttler	D13/110
D615,036	S *	5/2010	Liu	D13/110
8,154,856	B2 *	4/2012	Fontana	H02B 1/20 312/223.1
D768,072	S *	10/2016	Kim	D13/103
D771,563	S *	11/2016	Dolle	D13/107
D790,462	S *	6/2017	Yanagimoto	D13/110
2011/0013348	A1 *	1/2011	Seibold	G06F 1/189 361/679.02

* cited by examiner

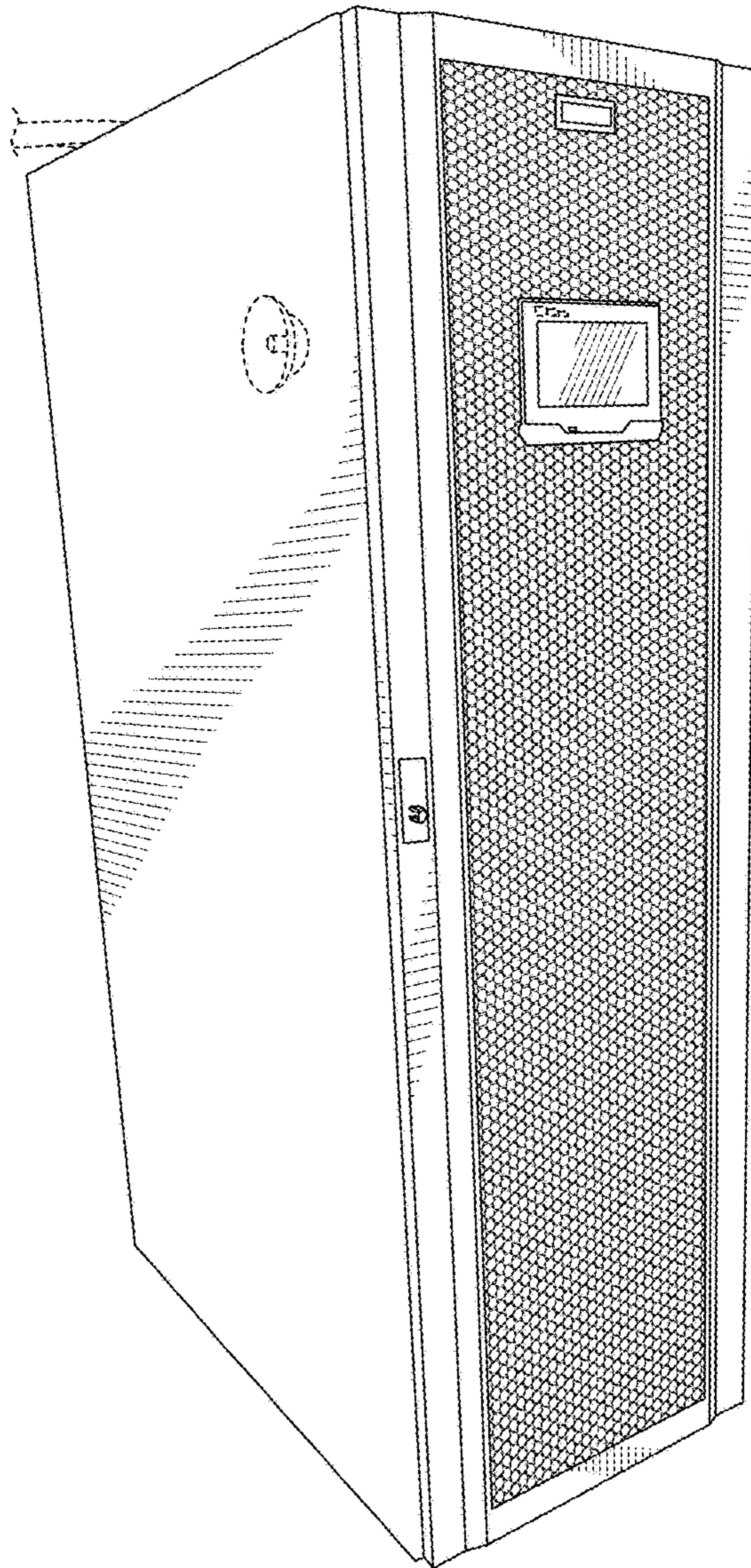


FIG. 1

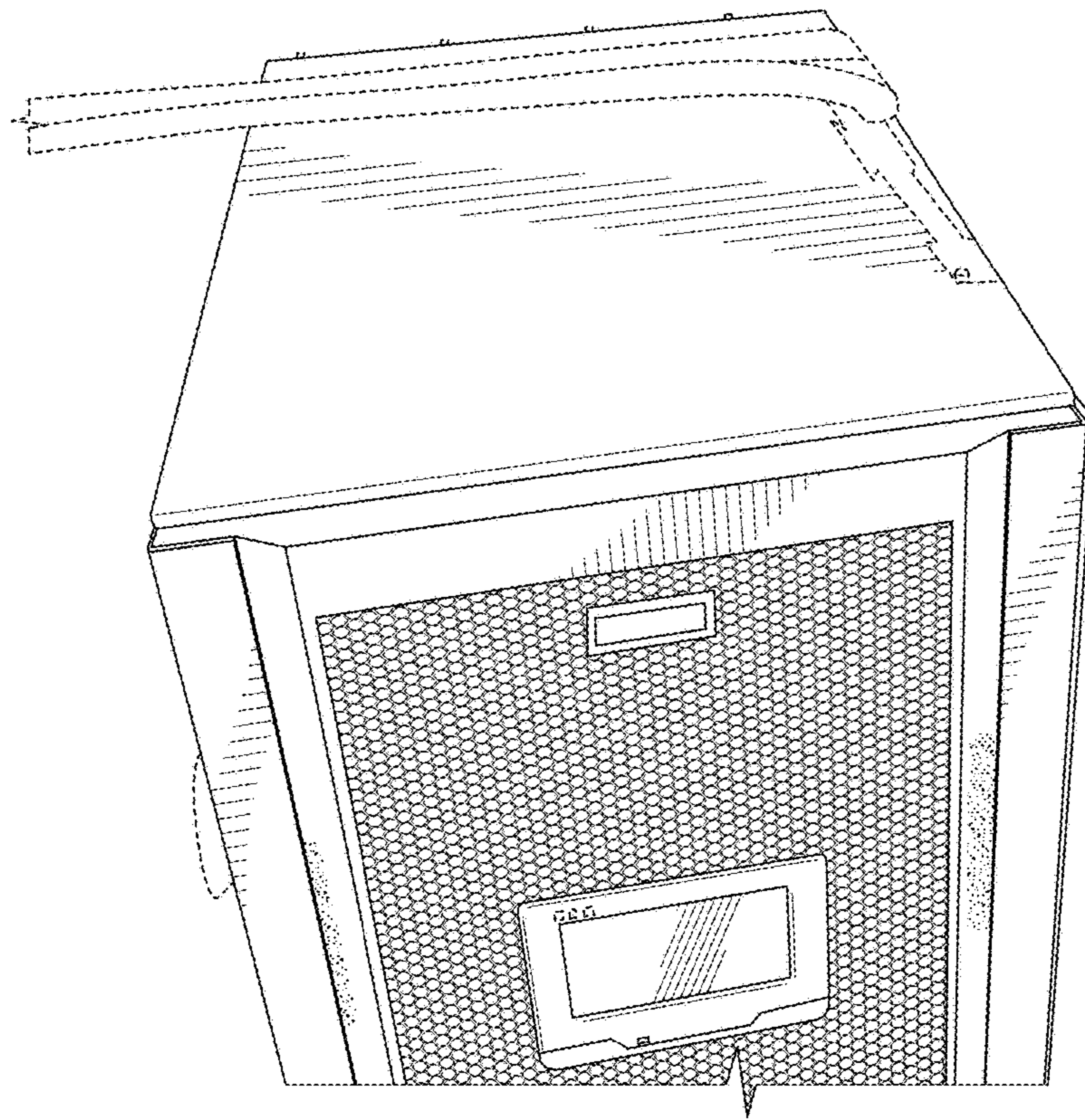


FIG. 2

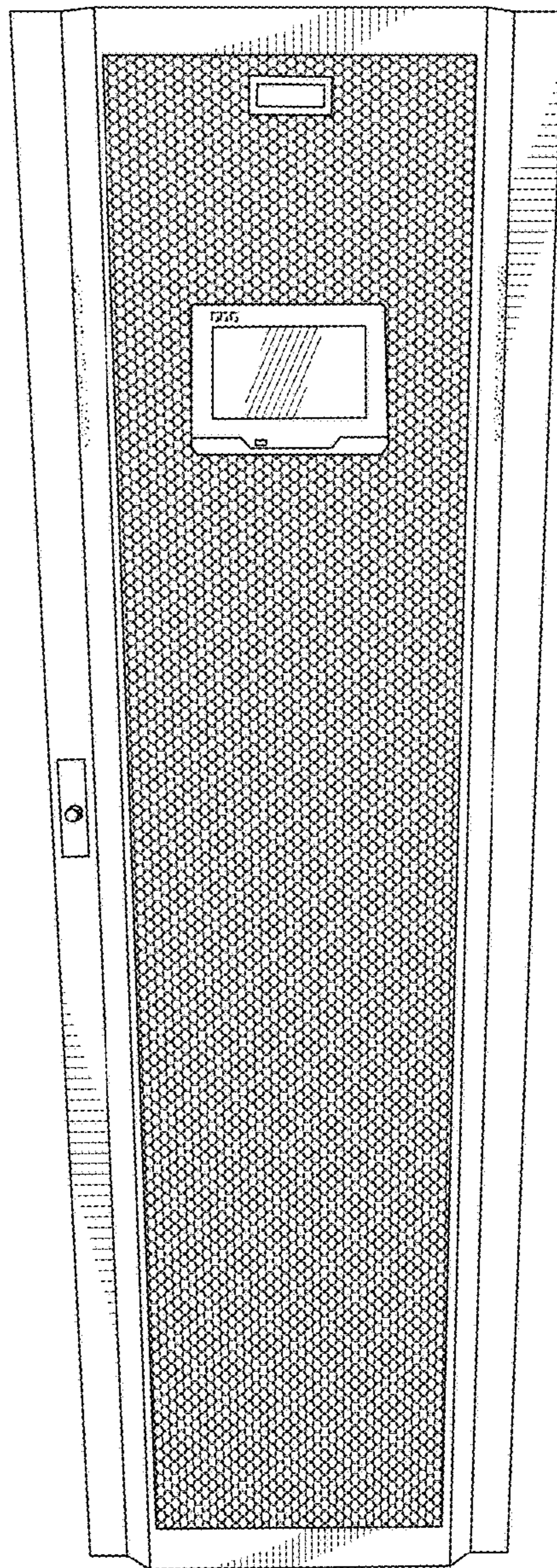


FIG. 3

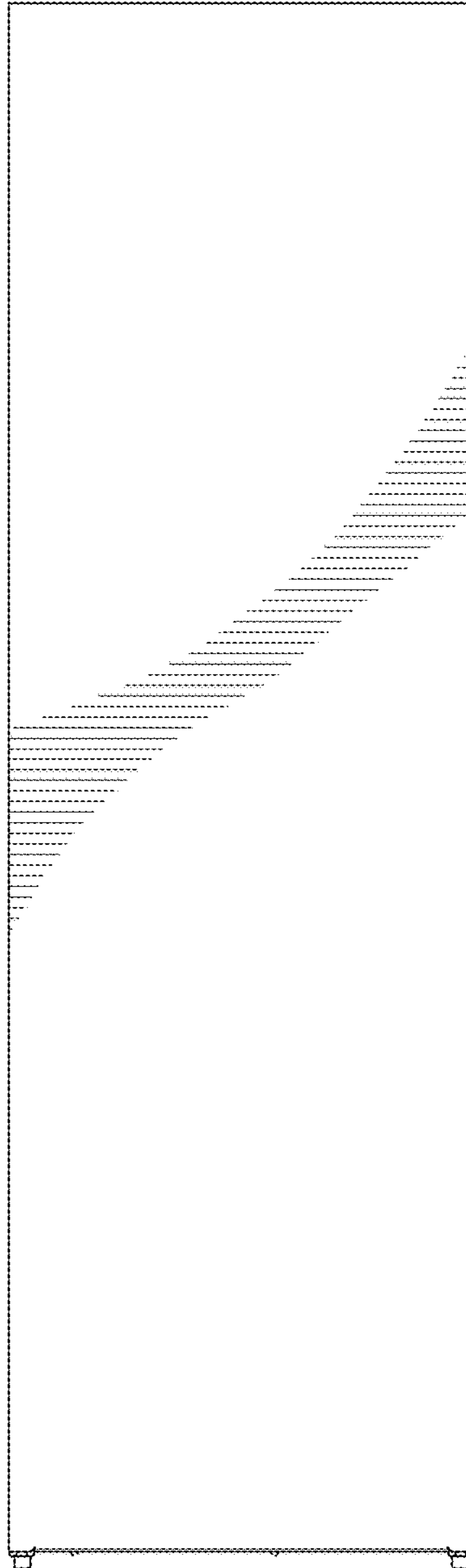


FIG. 4

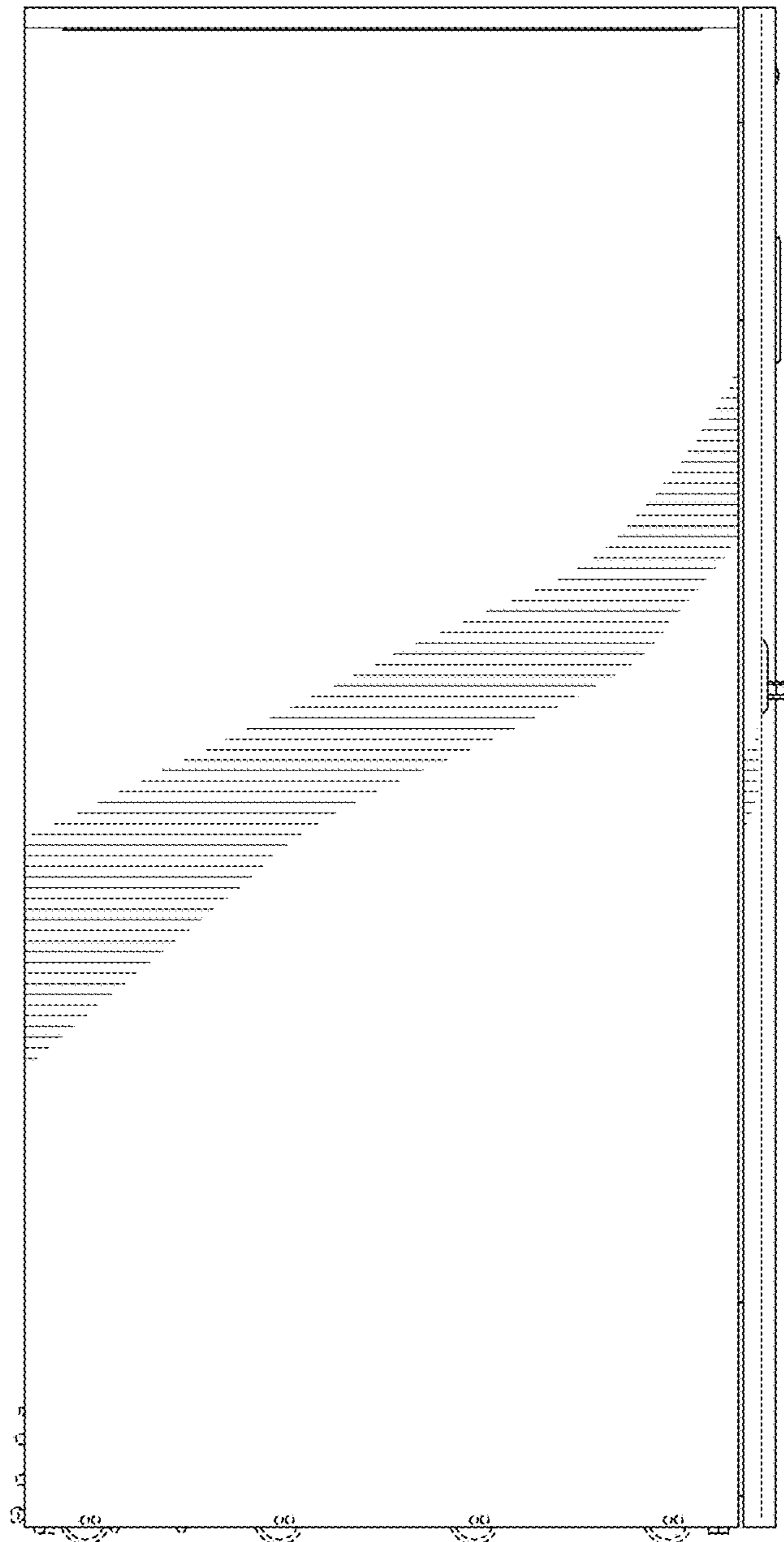


FIG. 5

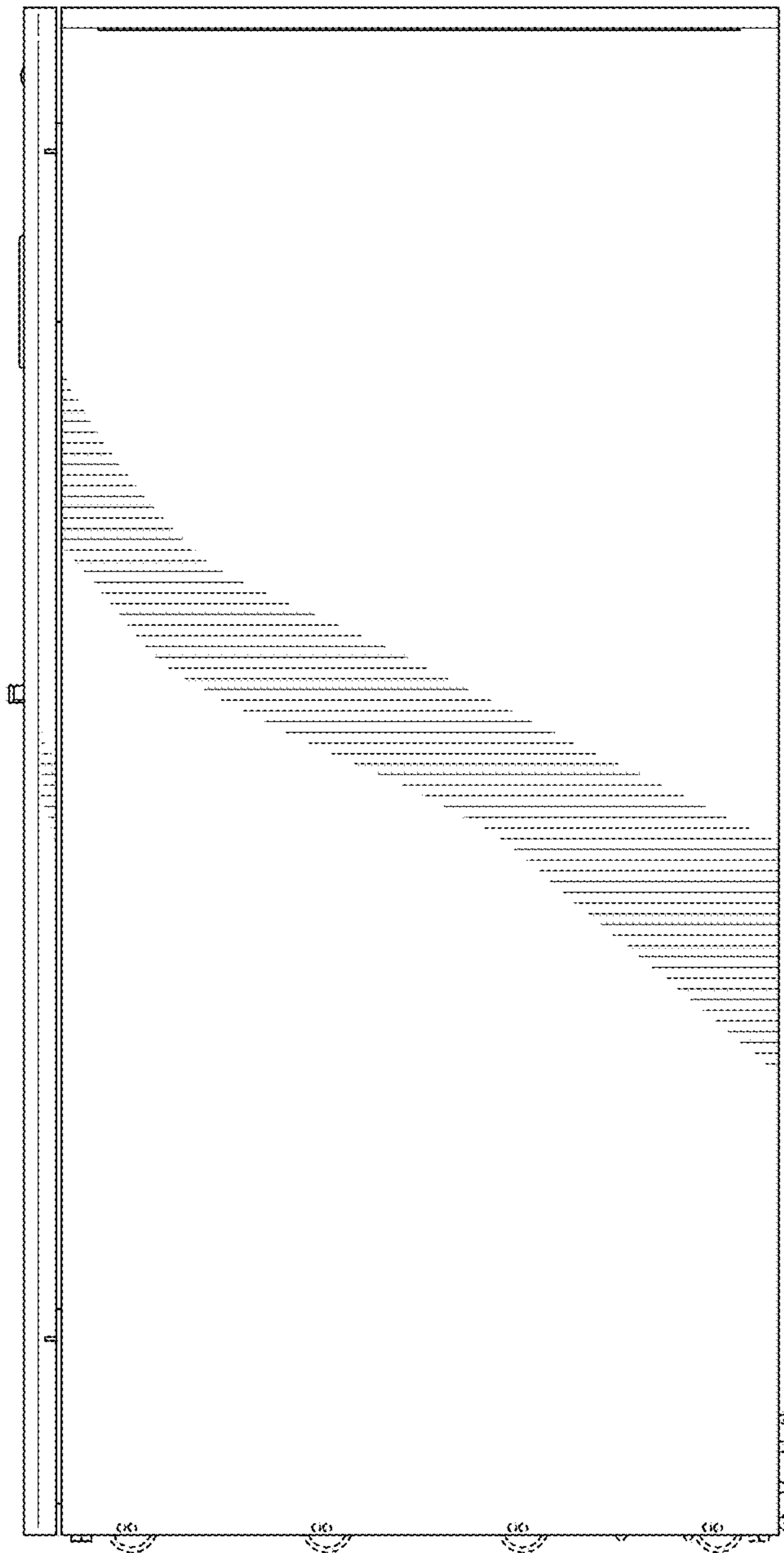


FIG. 6

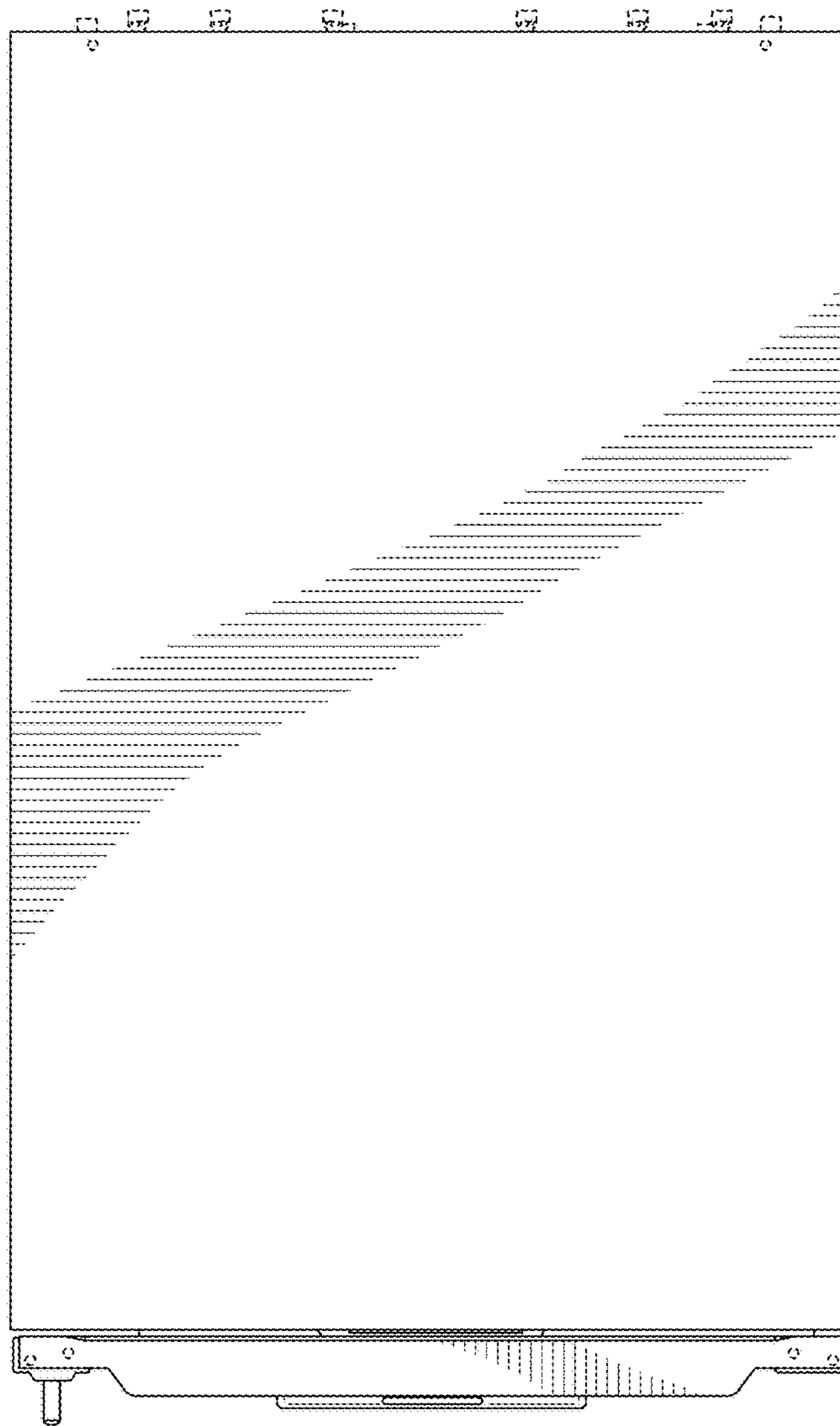


FIG. 7

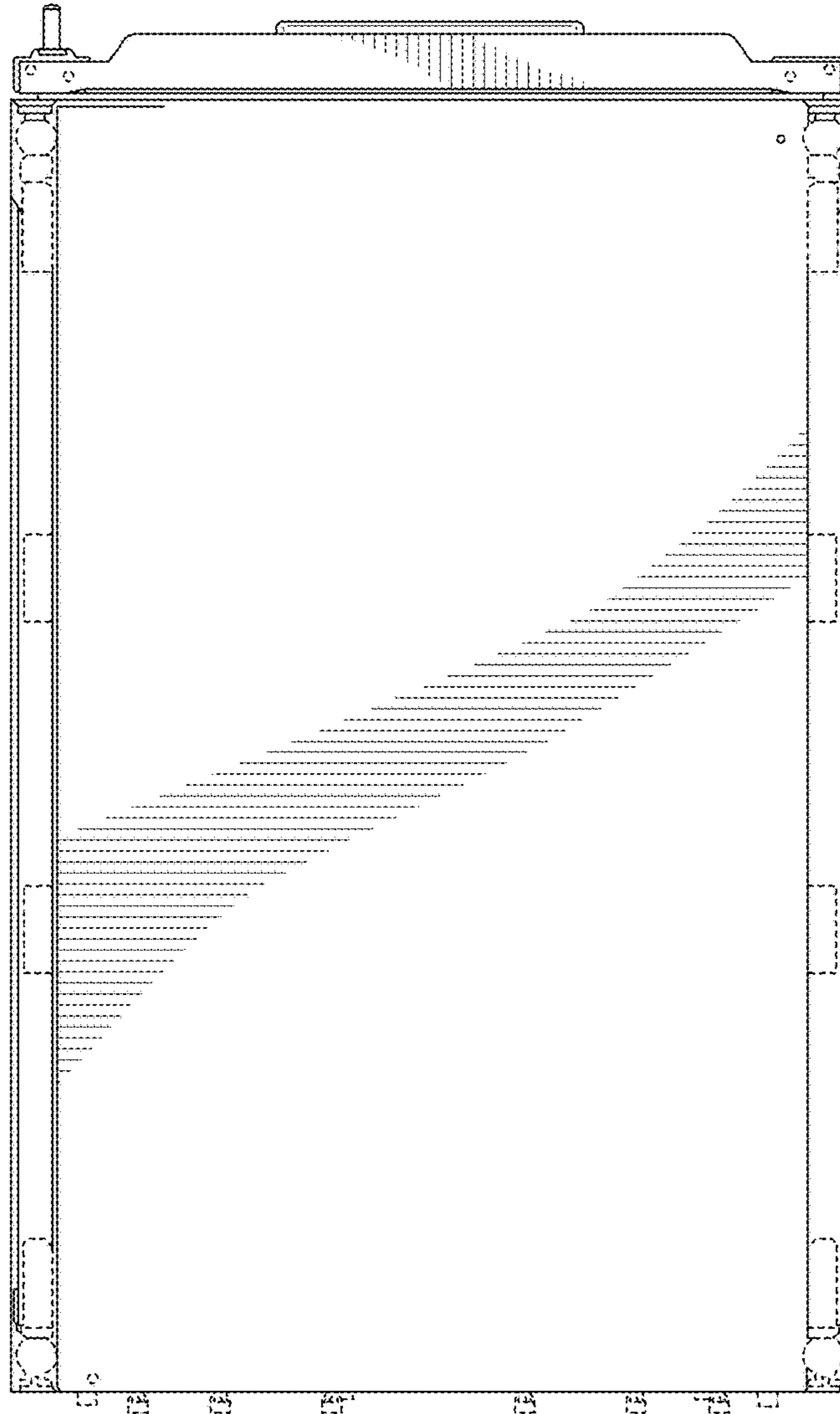


FIG. 8

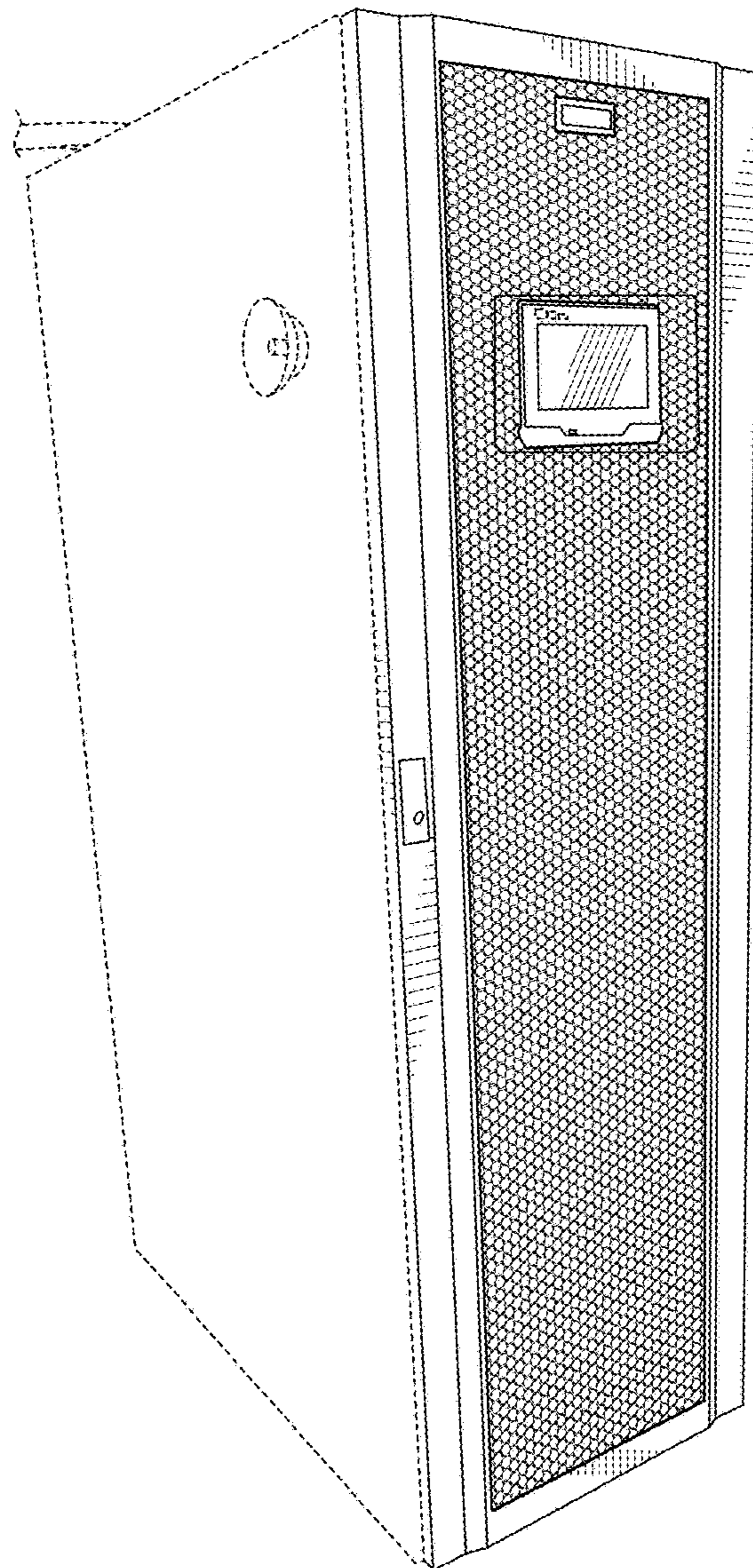


FIG. 9

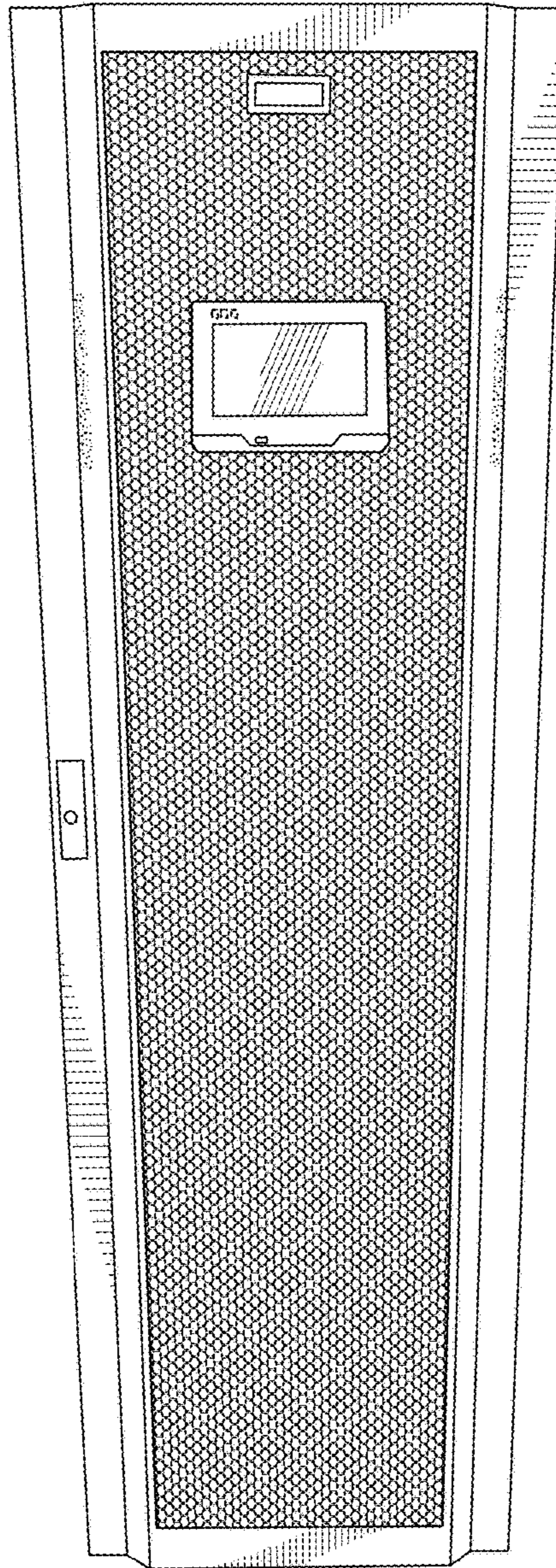


FIG. 10

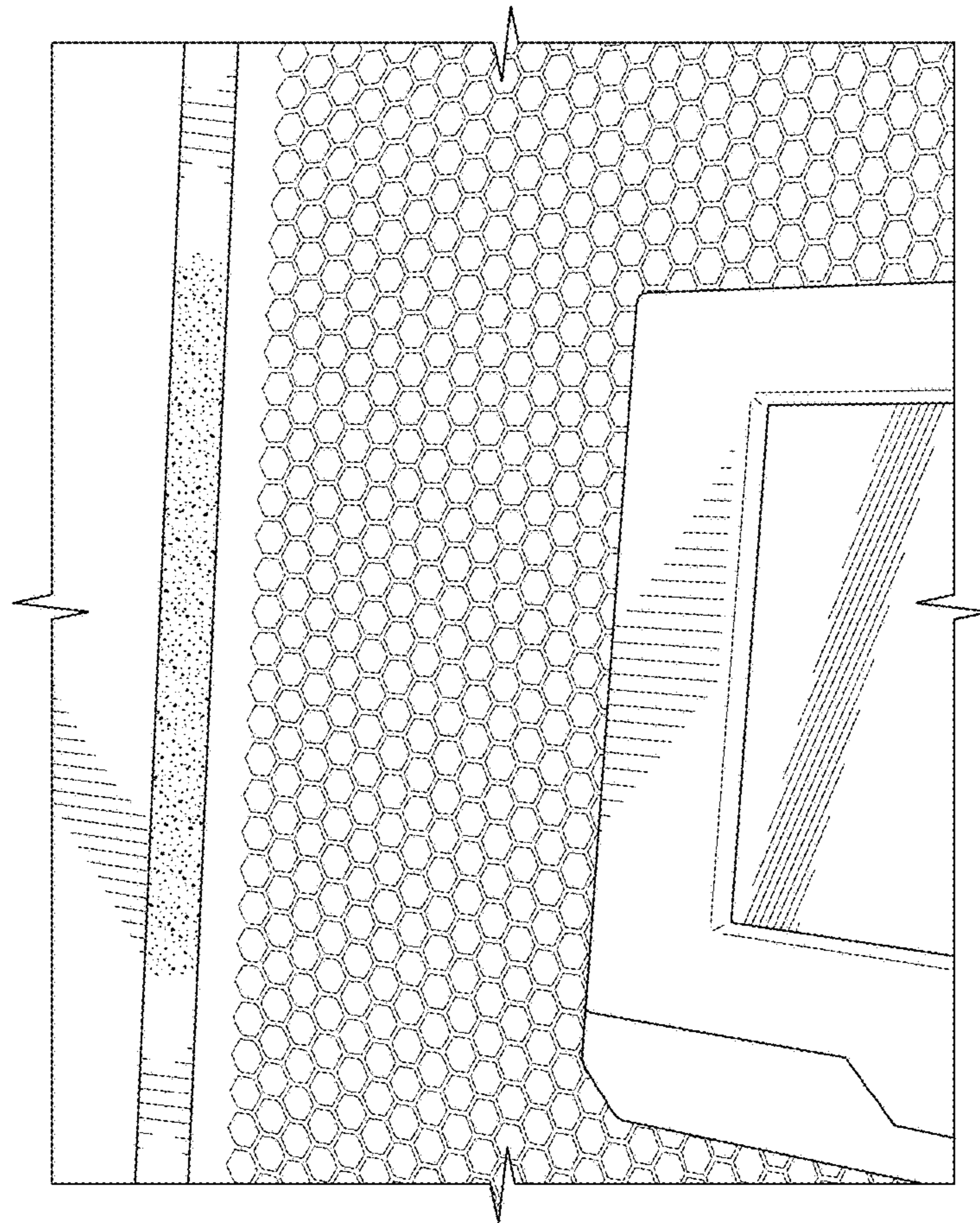


FIG. 11

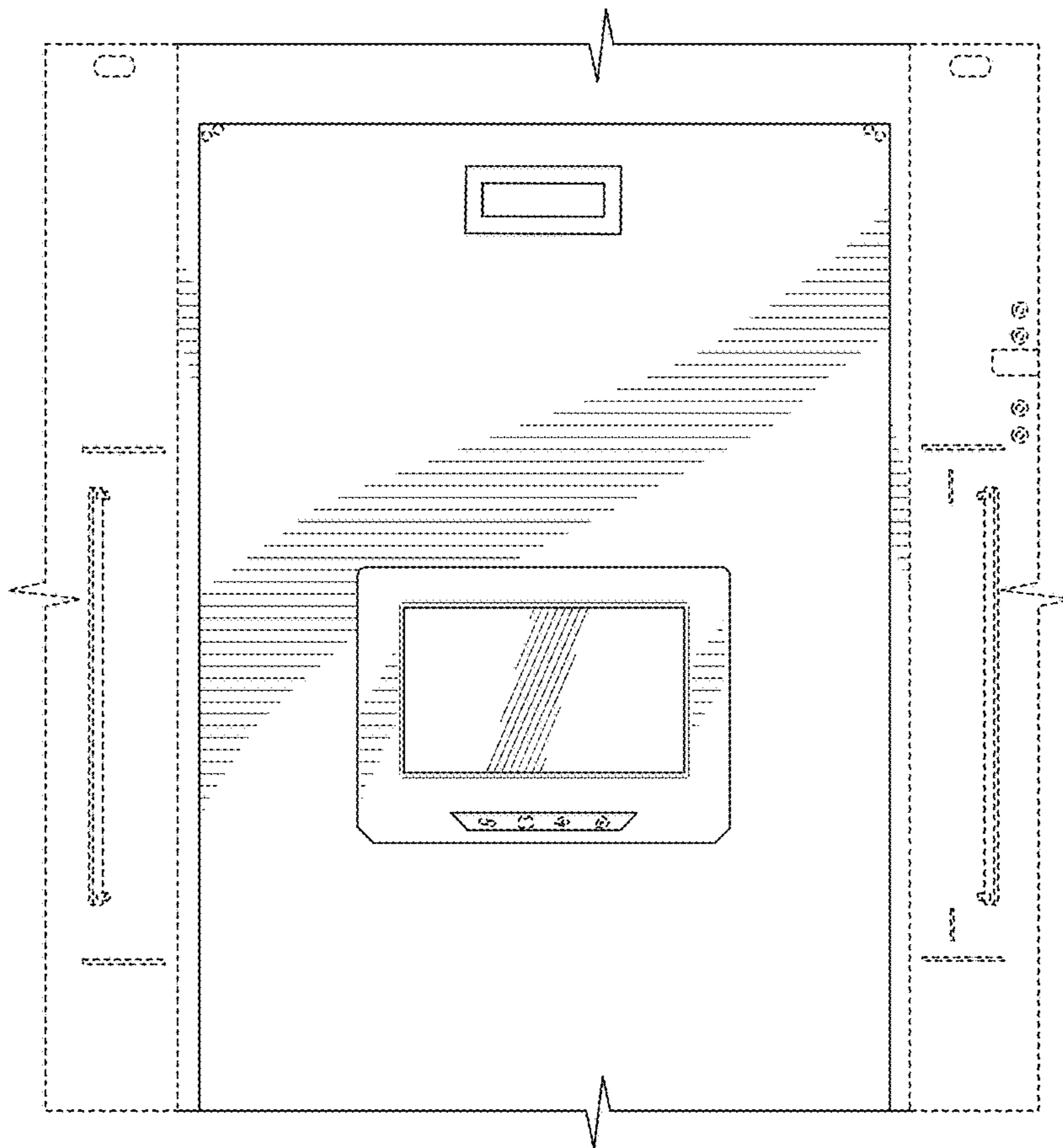


FIG. 12

UNITED STATES PATENT AND TRADEMARK OFFICE
CERTIFICATE OF CORRECTION

PATENT NO. : D869,394 S
APPLICATION NO. : 29/574518
DATED : December 10, 2019
INVENTOR(S) : Robredo et al.

Page 1 of 1

It is certified that error appears in the above-identified patent and that said Letters Patent is hereby corrected as shown below:

On the Title Page

(30) Foreign Application Priority Data:
Please add -- July 3, 2012 (CN) 2012302946236 --

Signed and Sealed this
Sixth Day of April, 2021



Drew Hirshfeld
*Performing the Functions and Duties of the
Under Secretary of Commerce for Intellectual Property and
Director of the United States Patent and Trademark Office*