



US00D869392S

(12) **United States Design Patent** (10) **Patent No.:** **US D869,392 S**
Roberts (45) **Date of Patent:** **** Dec. 10, 2019**

(54) **PORTABLE POWER BANK**
(71) Applicant: **James Roberts**, St Martin (JE)
(72) Inventor: **James Roberts**, St Martin (JE)
(73) Assignee: **Flashbay Electronics Hong Kong Limited**, Hong Kong (HK)
(**) Term: **15 Years**
(21) Appl. No.: **29/658,826**
(22) Filed: **Aug. 3, 2018**
(51) **LOC (12) Cl.** **13-02**
(52) **U.S. Cl.**
USPC **D13/108**
(58) **Field of Classification Search**
USPC D13/103, 107-110, 118-119, 184, 199;
D14/251, 253, 432, 434
CPC Y02E 60/10; Y02E 60/12; Y02E 60/122;
Y02E 60/124; Y02E 60/50; H02J 7/00;
H02J 7/0003; H02J 7/0011; H02J 7/0013;
H02J 7/0054; H02J 7/0055; H02J 7/0057;
H01M 10/44; H01M 10/46; H01M
10/465; H01M 10/482; H01M 2/02;
H01M 2/022; H01M 2/0202; H01M
2/0207; H01M 2/0212; H01M 2/1061;
H01M 2/1022; H01M 2/1055; H01M
2/1066; H01M 2/105; H01M 2/20; H01M
2/202; H01M 2/204; H01M 2/206; H01M
2200/30; H01M 2250/30; H01M 2250/40
See application file for complete search history.

(56) **References Cited**
U.S. PATENT DOCUMENTS
D246,240 S * 11/1977 Hansen D13/103
D599,738 S * 9/2009 Amidei D13/110

D628,535 S * 12/2010 Cheng D13/108
D682,196 S * 5/2013 Leung D13/103
D682,197 S * 5/2013 Leung D13/103
D697,867 S * 1/2014 Weinstein D13/108
D722,961 S * 2/2015 Lin D13/103
D742,311 S * 11/2015 Miller D13/103
D742,312 S * 11/2015 Gupta D13/103
D745,456 S * 12/2015 Fung D13/108
D764,404 S * 8/2016 Lau D13/103
D769,234 S * 10/2016 Rami D14/253
D783,525 S * 4/2017 Gupta D13/108
D798,811 S * 10/2017 Liao D13/110
D821,308 S * 6/2018 Chia D13/108
D823,239 S * 7/2018 Gupta D13/103
D824,329 S * 7/2018 Conocenti D13/108
D836,543 S * 12/2018 Sun D13/108
D850,372 S * 6/2019 Kong D13/108
D853,322 S * 7/2019 Xu D13/108
D853,959 S * 7/2019 Miller D13/108

* cited by examiner

Primary Examiner — Rosemary K Tarcza

(57) **CLAIM**

The ornamental design for a portable power bank, as shown and described.

DESCRIPTION

FIG. 1 is a front view of the portable power bank.
FIG. 2 is rear view of the portable power bank.
FIG. 3 is top view of the portable power bank, the bottom being a mirror image thereof.
FIG. 4 is a left side view of the portable power bank.
FIG. 5 is a top, front, left perspective view of the portable power bank.
FIG. 6 is a top, rear, right perspective view of the portable power bank; and,
FIG. 7 is a top, front, left perspective view of the portable power bank with the USB cable extended.

1 Claim, 2 Drawing Sheets

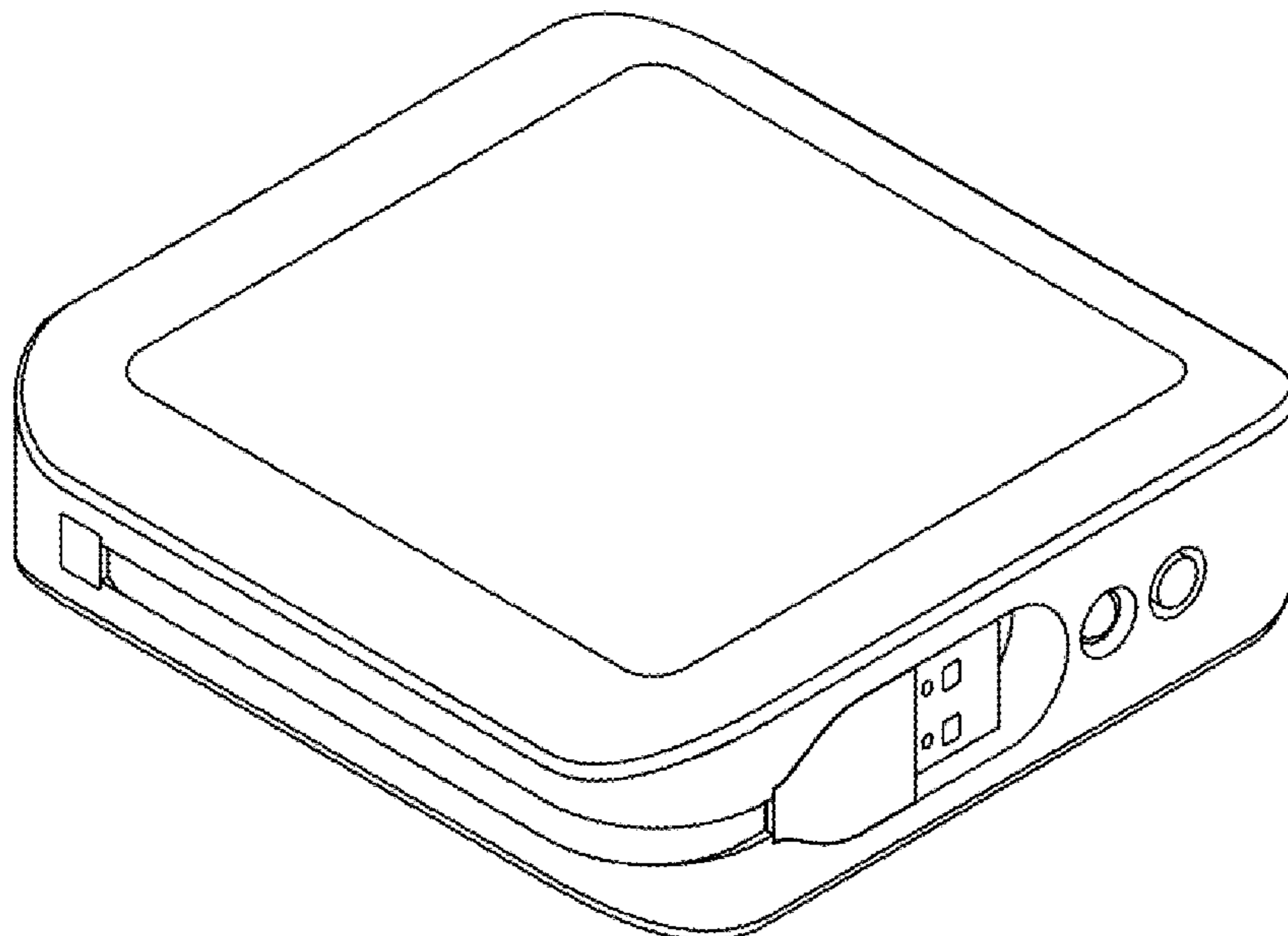


FIG.1

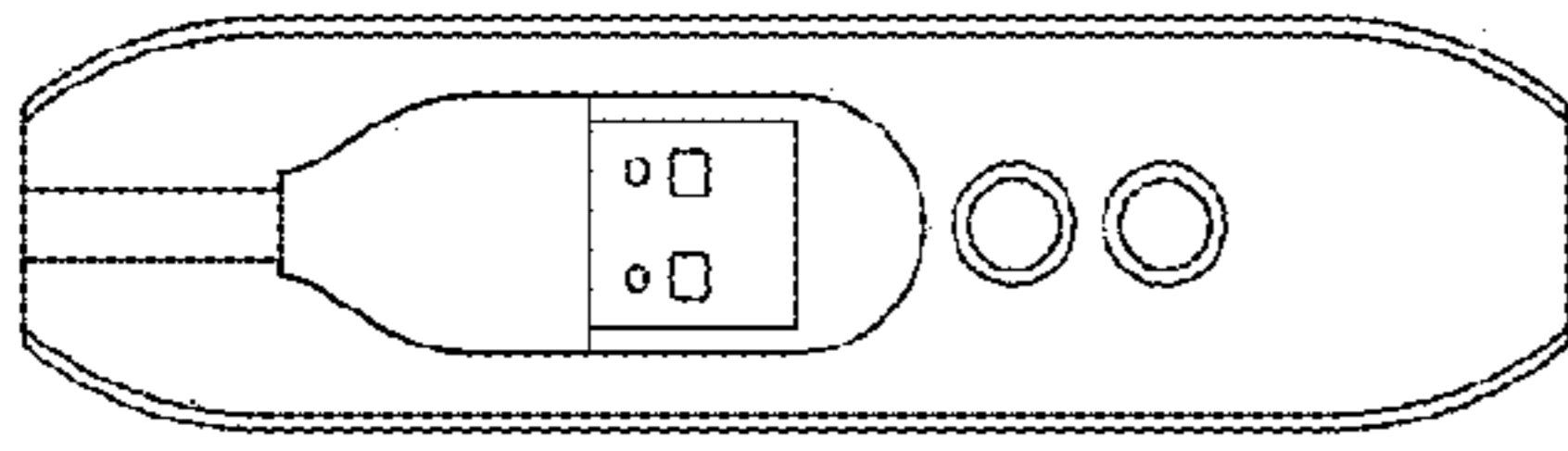


FIG.2

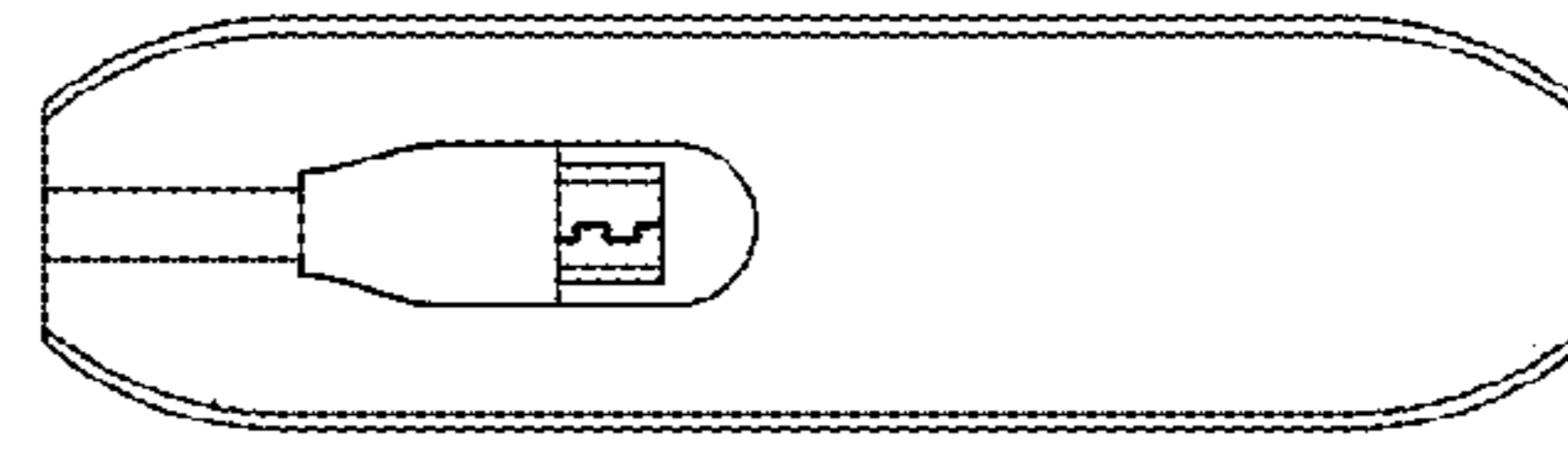


FIG.3

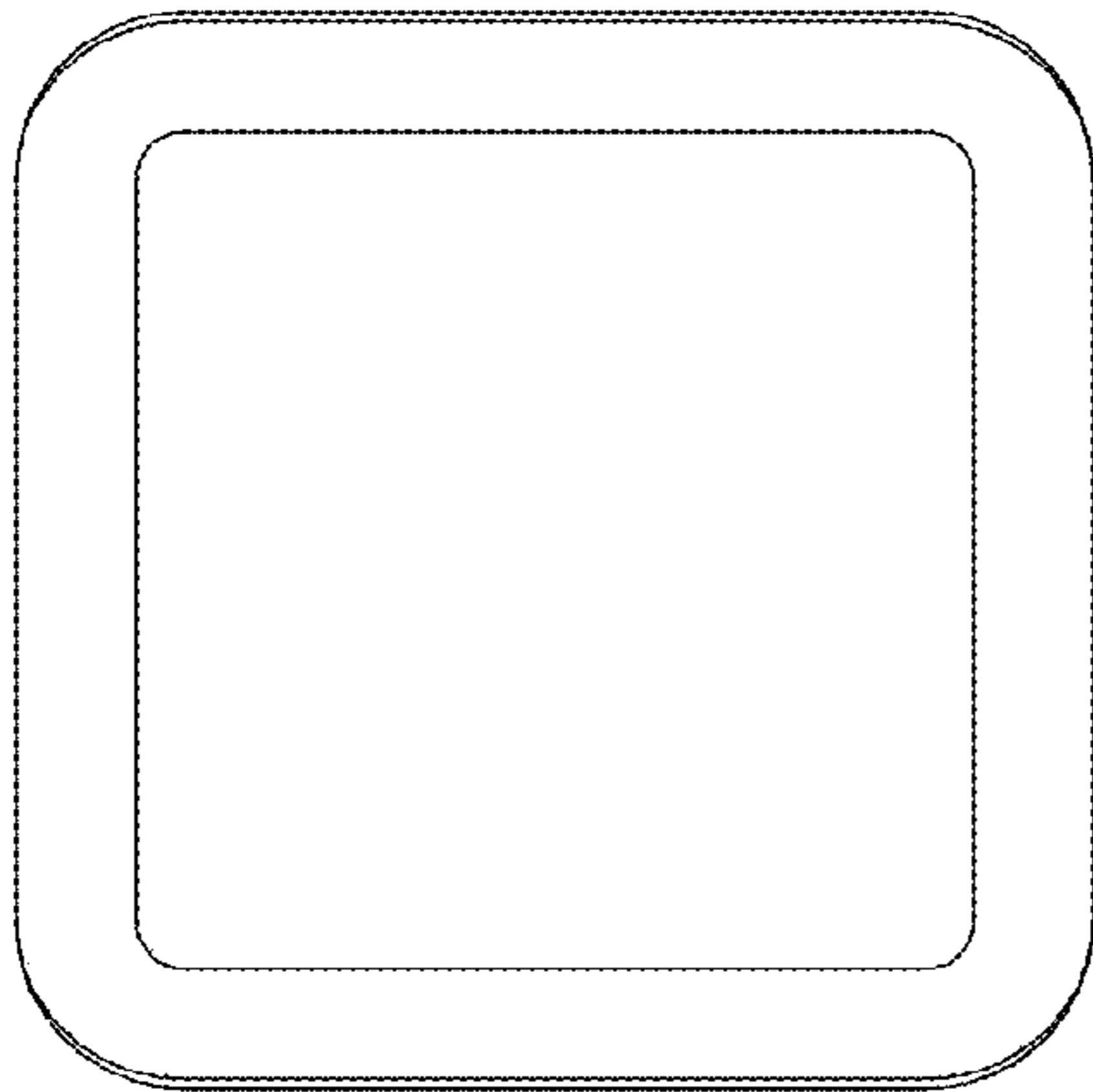


FIG.4

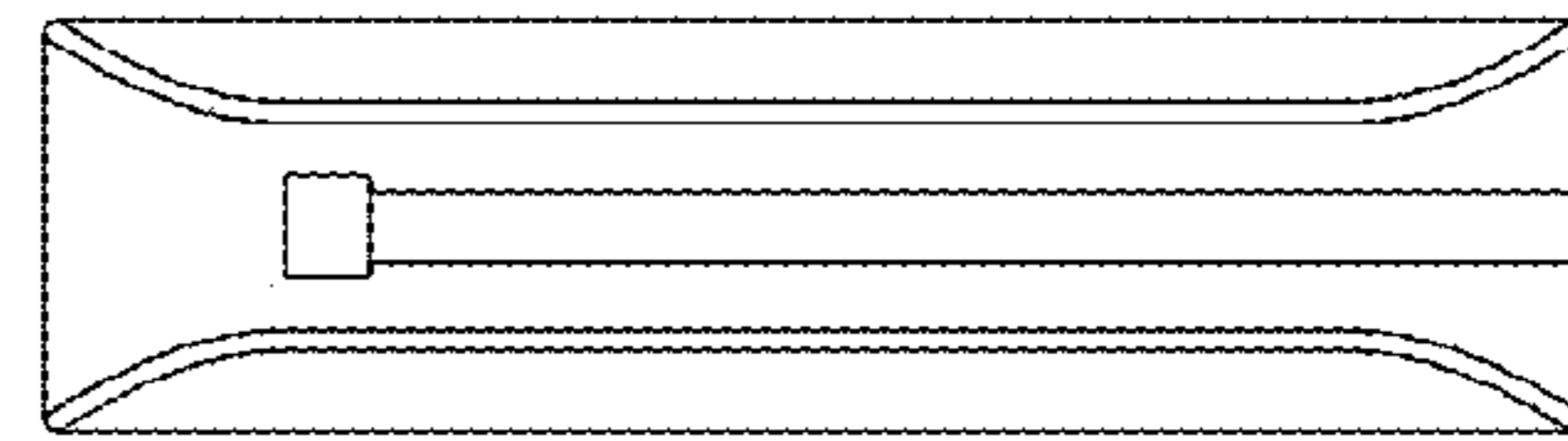


FIG.5

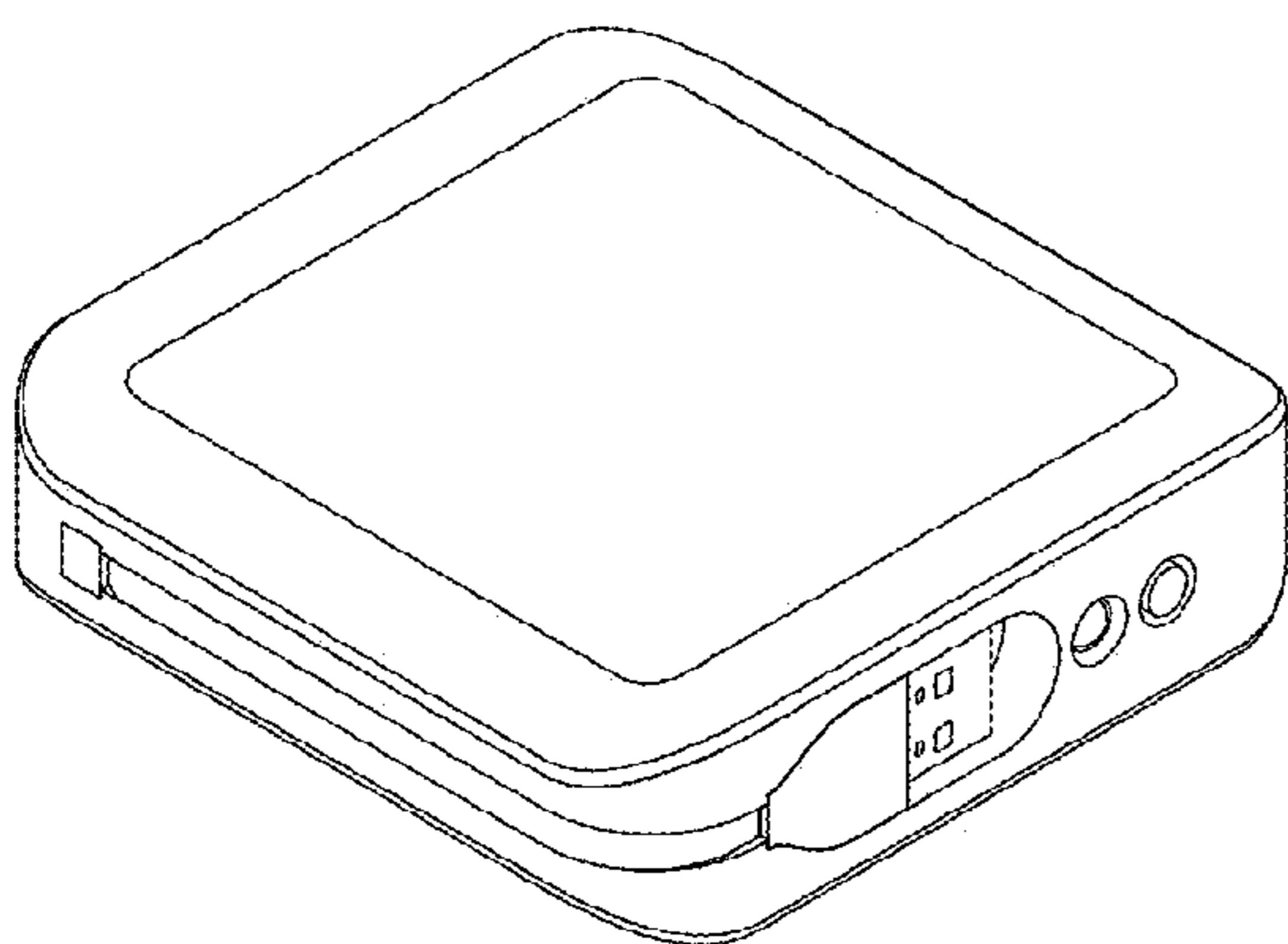


FIG.6

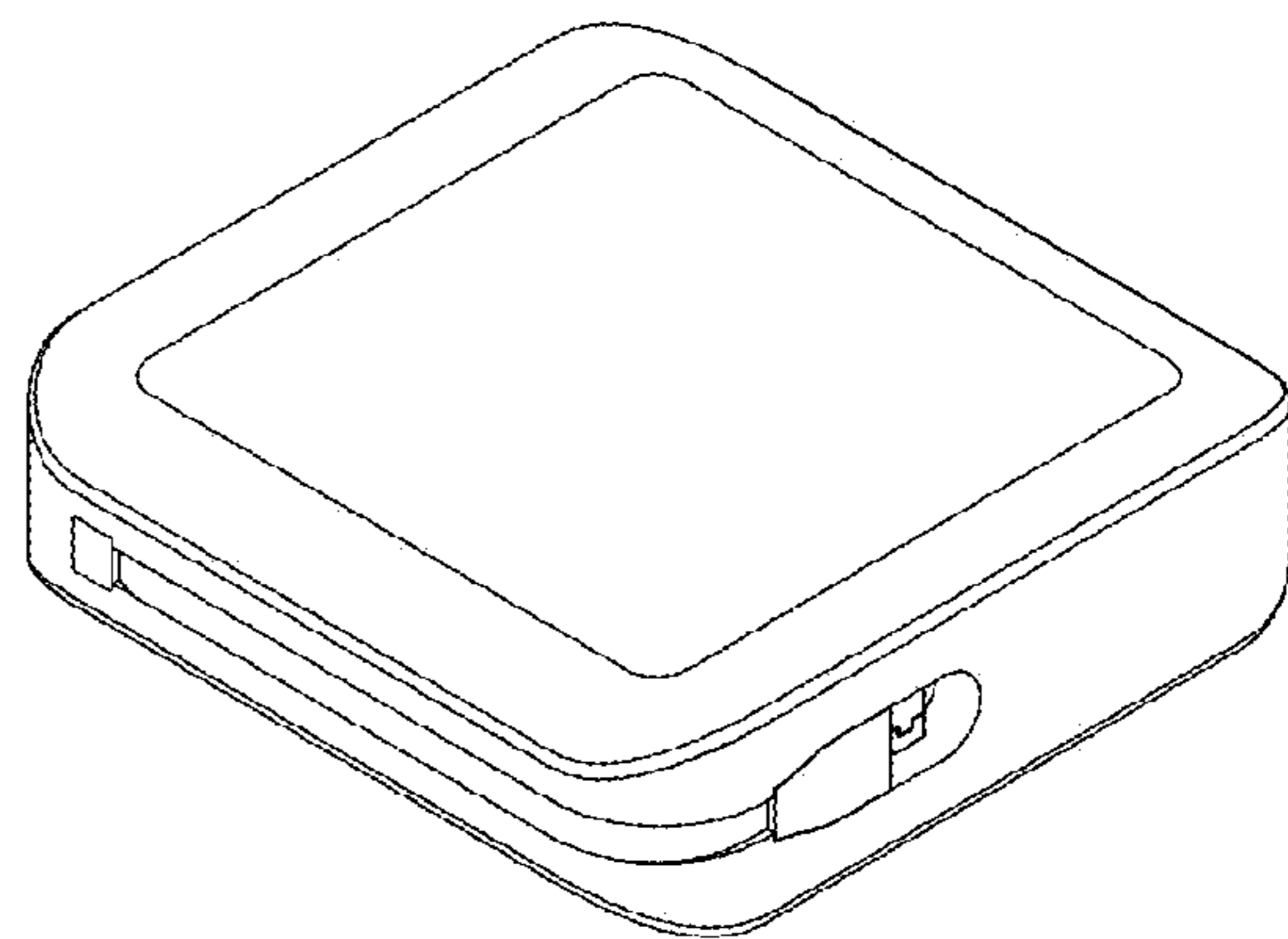


FIG.7

