



US00D869390S

(12) **United States Design Patent**
Li

(10) **Patent No.:** **US D869,390 S**

(45) **Date of Patent:** **** Dec. 10, 2019**

(54) **DESKTOP CHARGER**

(71) Applicant: **Bao-Tian Li**, Shenyang (CN)

(72) Inventor: **Bao-Tian Li**, Shenyang (CN)

(**) Term: **15 Years**

(21) Appl. No.: **29/647,950**

(22) Filed: **May 17, 2018**

(51) **LOC (12) Cl.** **13-02**

(52) **U.S. Cl.**
USPC **D13/108**

(58) **Field of Classification Search**
USPC D13/107-110, 118-119, 184; D14/251,
D14/253, 432, 434
CPC Y02E 60/12; Y02T 90/14; Y02T 90/122;
Y02T 90/128; Y02T 90/163; H02J 7/025;
H02J 7/0042; H02J 7/0044; H02J 7/0045;
H02J 7/0003; H01F 38/14; H01R
13/6675; H01M 2/1022; H01M 2/1055;
H01M 10/44; H01M 10/46; H01M
10/425; B60L 11/182

See application file for complete search history.

(56) **References Cited**

U.S. PATENT DOCUMENTS

D359,474 S * 6/1995 Palatov D13/108
D479,709 S * 9/2003 Cocks D13/184

D674,342 S * 1/2013 Ho D13/110
D725,099 S * 3/2015 Neumann D10/78
D765,597 S * 9/2016 Kim D13/108
D784,258 S * 4/2017 Vienna D13/108
D811,997 S * 3/2018 Sha D13/107
D841,576 S * 2/2019 Nauroy D13/108
D844,006 S * 3/2019 Molnar D14/434

* cited by examiner

Primary Examiner — Rosemary K Tarcza

(74) *Attorney, Agent, or Firm* — ScienBiziP, P.C.

(57) **CLAIM**

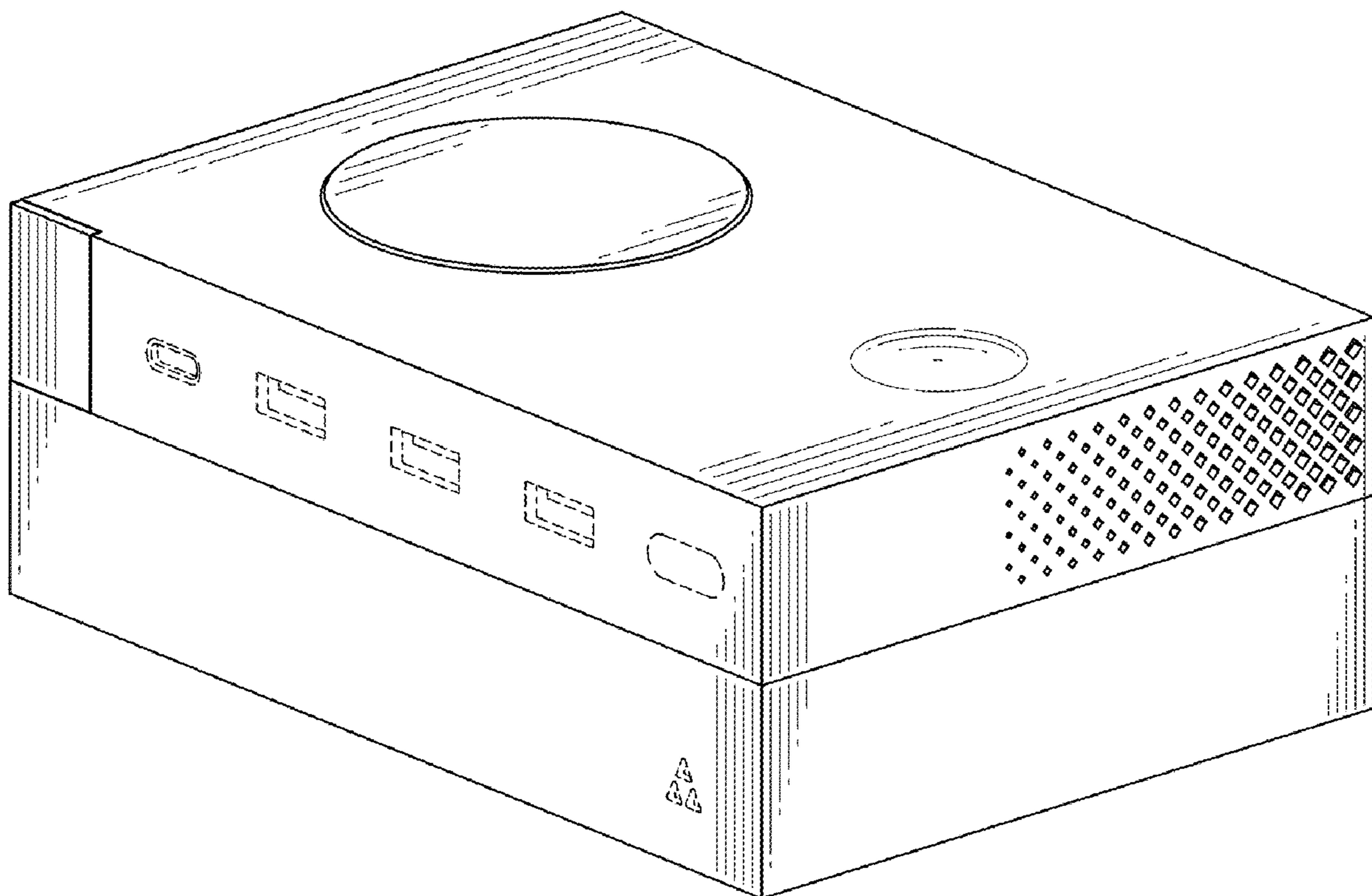
The ornamental design for a desktop charger, as shown and described.

DESCRIPTION

FIG. 1 is a top perspective view of a desktop charger, showing our new design;
FIG. 2 is a bottom perspective view thereof;
FIG. 3 is a front elevation view thereof;
FIG. 4 is a rear elevation view thereof;
FIG. 5 is a side elevation view thereof;
FIG. 6 is another side elevation view thereof;
FIG. 7 is a top plan view thereof; and,
FIG. 8 is a bottom plan view thereof.

The broken lines immediately adjacent to the claimed portions are boundaries, all other broken lines are environmental structures; all the broken lines form no part of the claimed design.

1 Claim, 8 Drawing Sheets



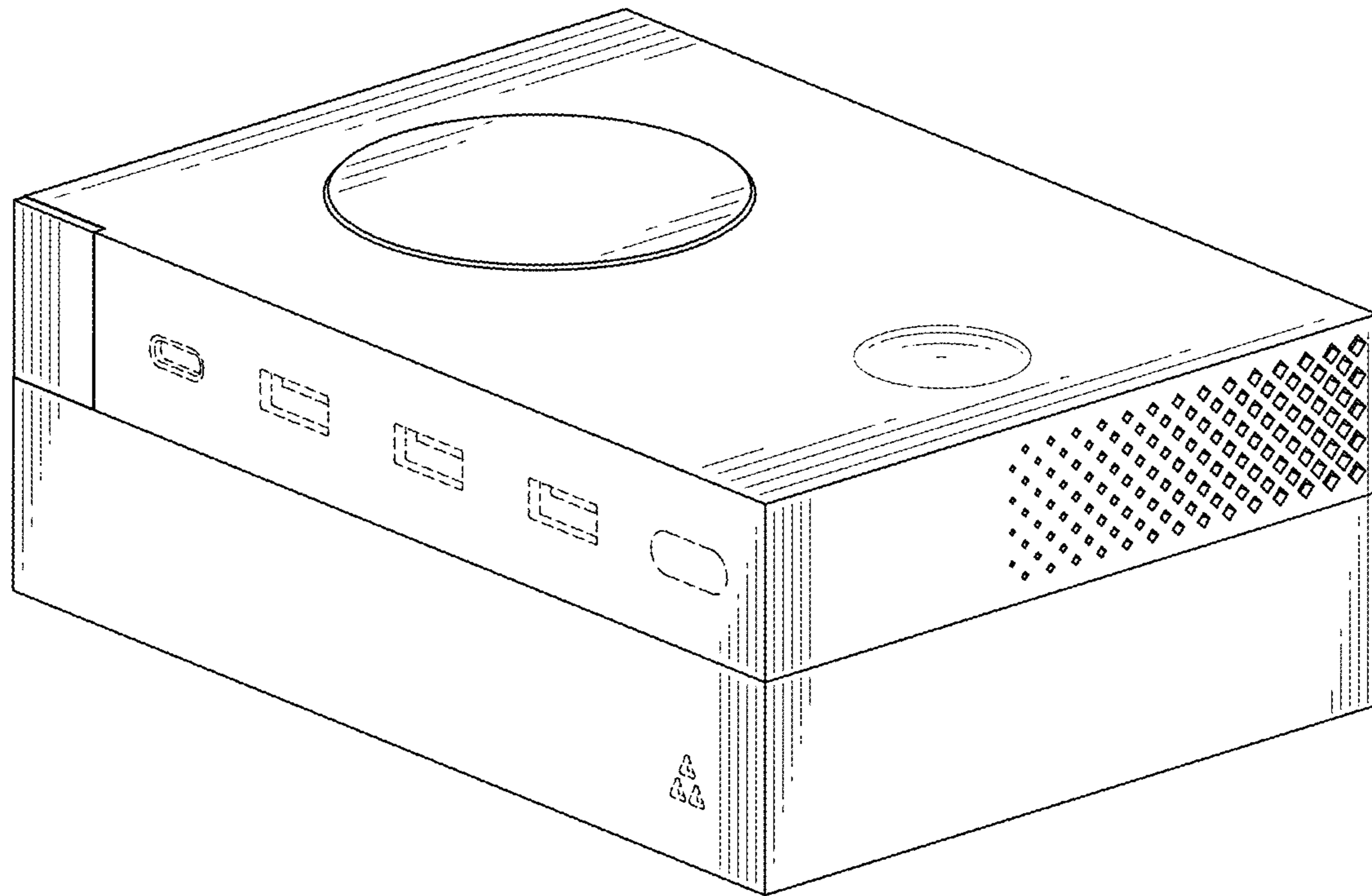


FIG. 1

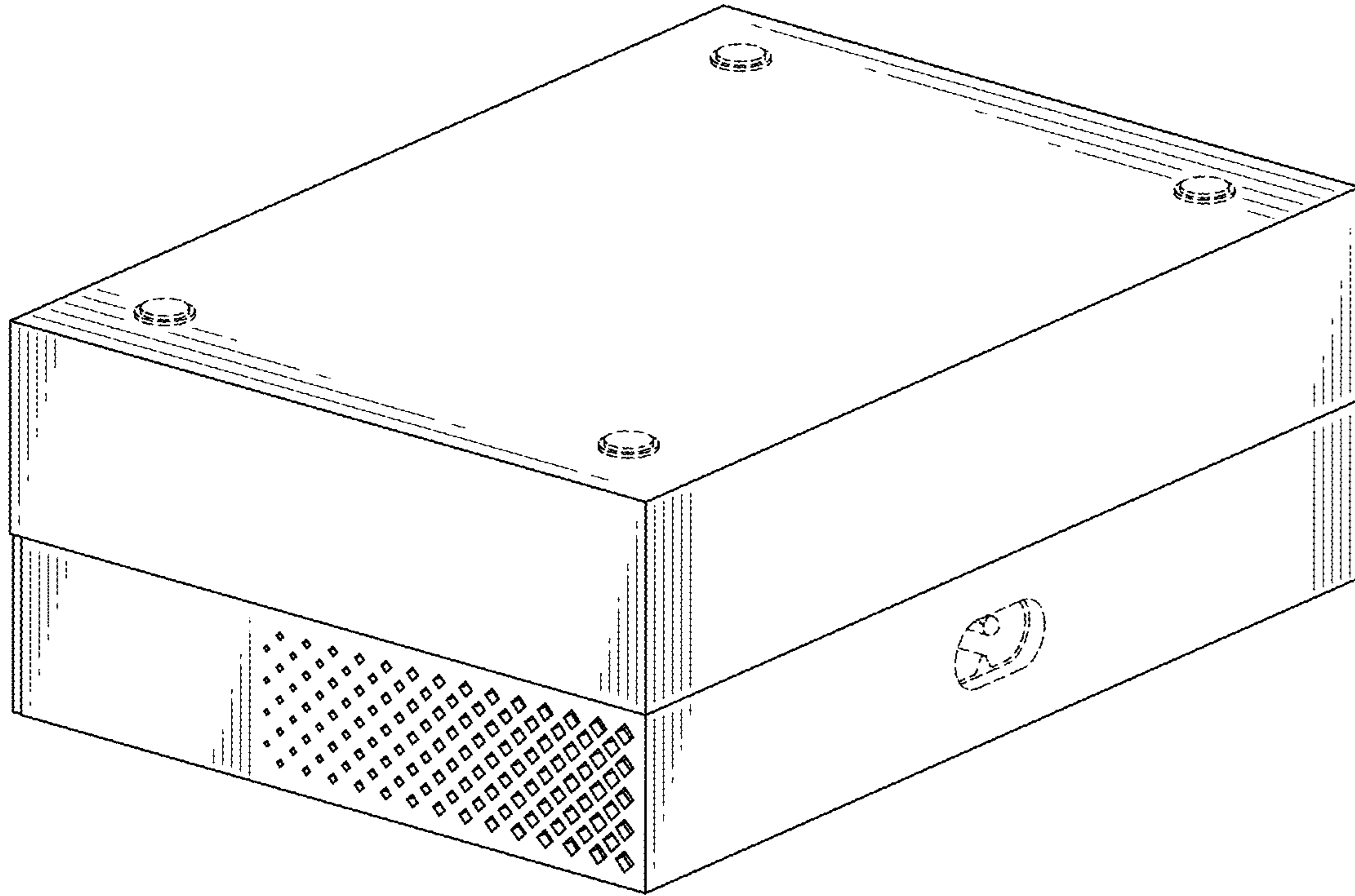


FIG. 2

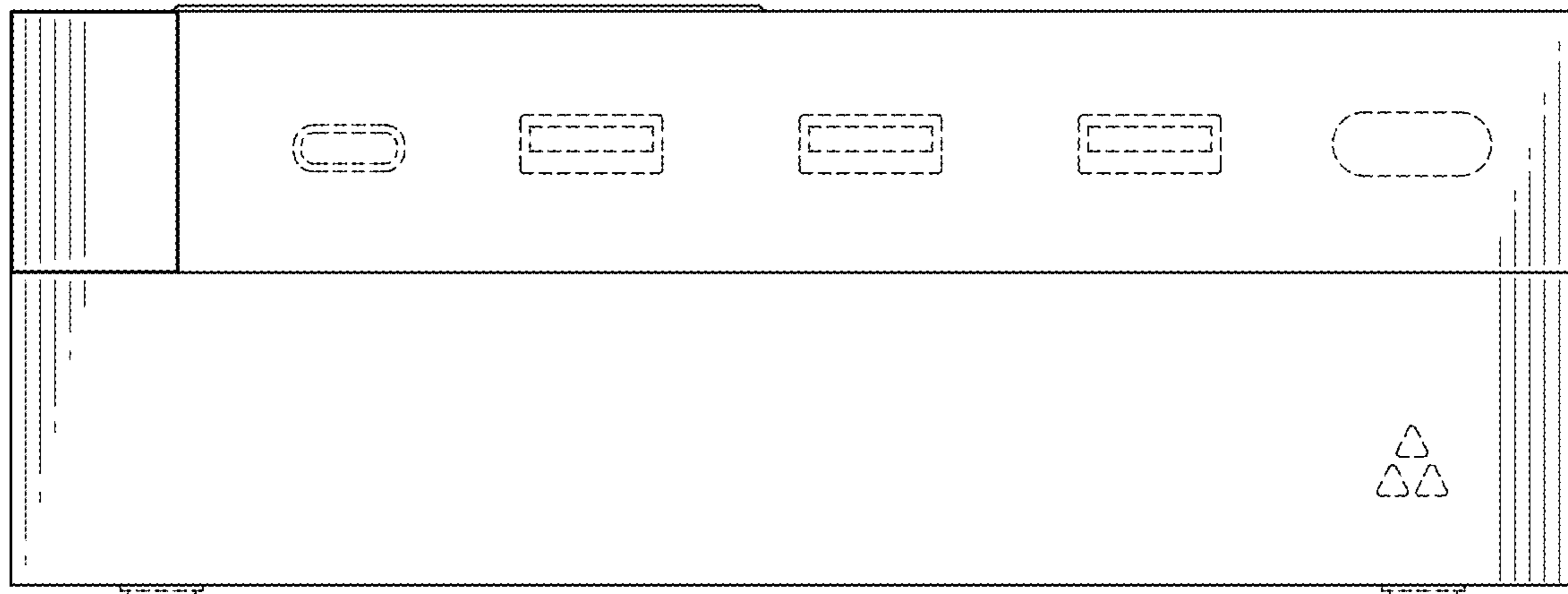


FIG. 3

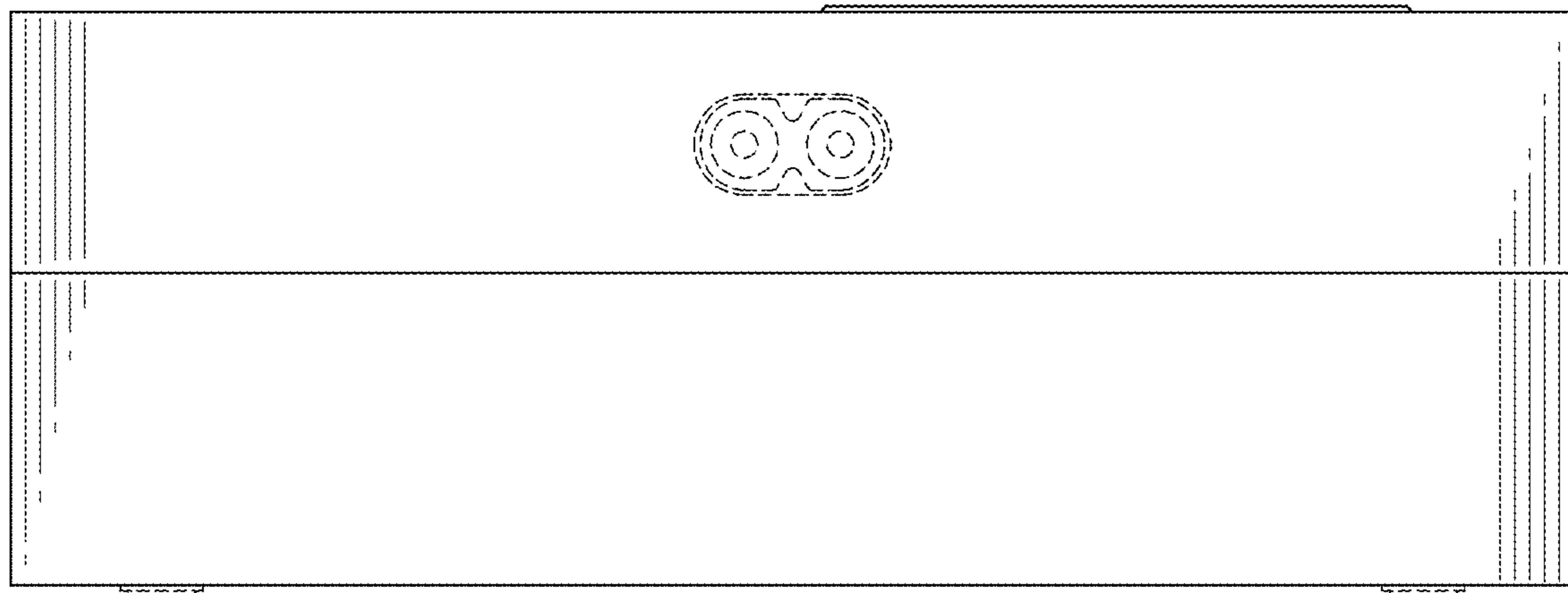


FIG. 4

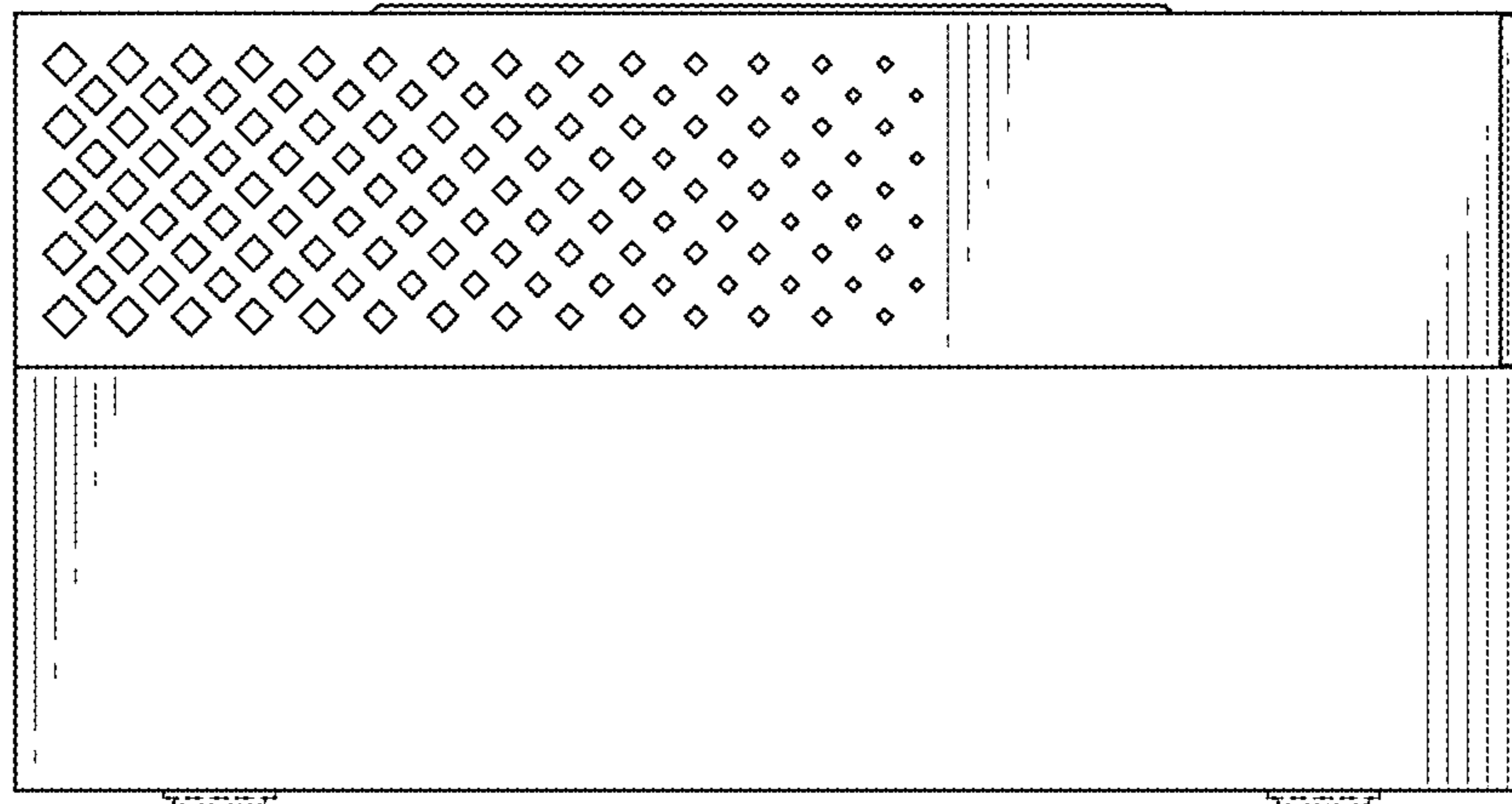


FIG. 5

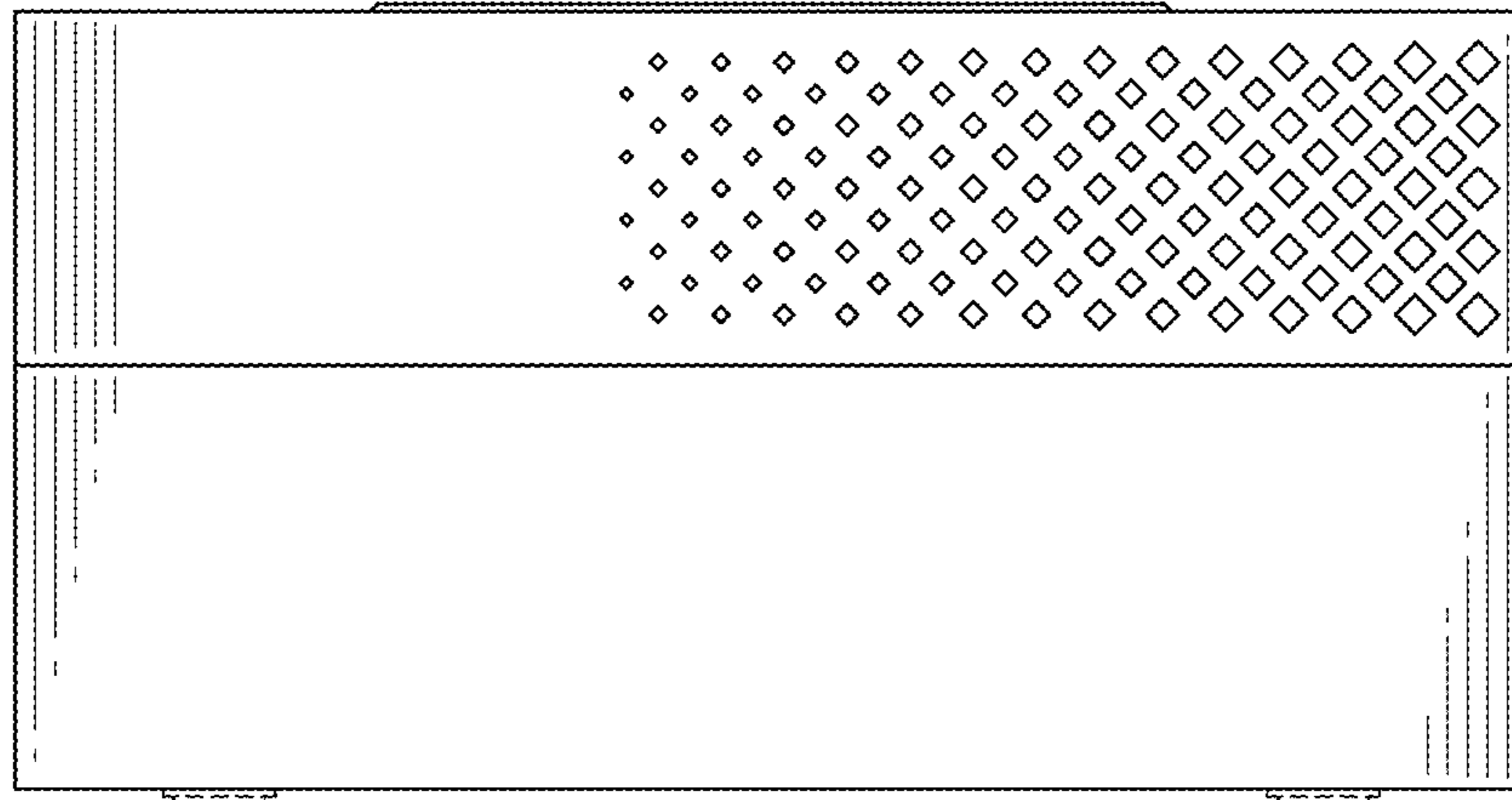


FIG. 6

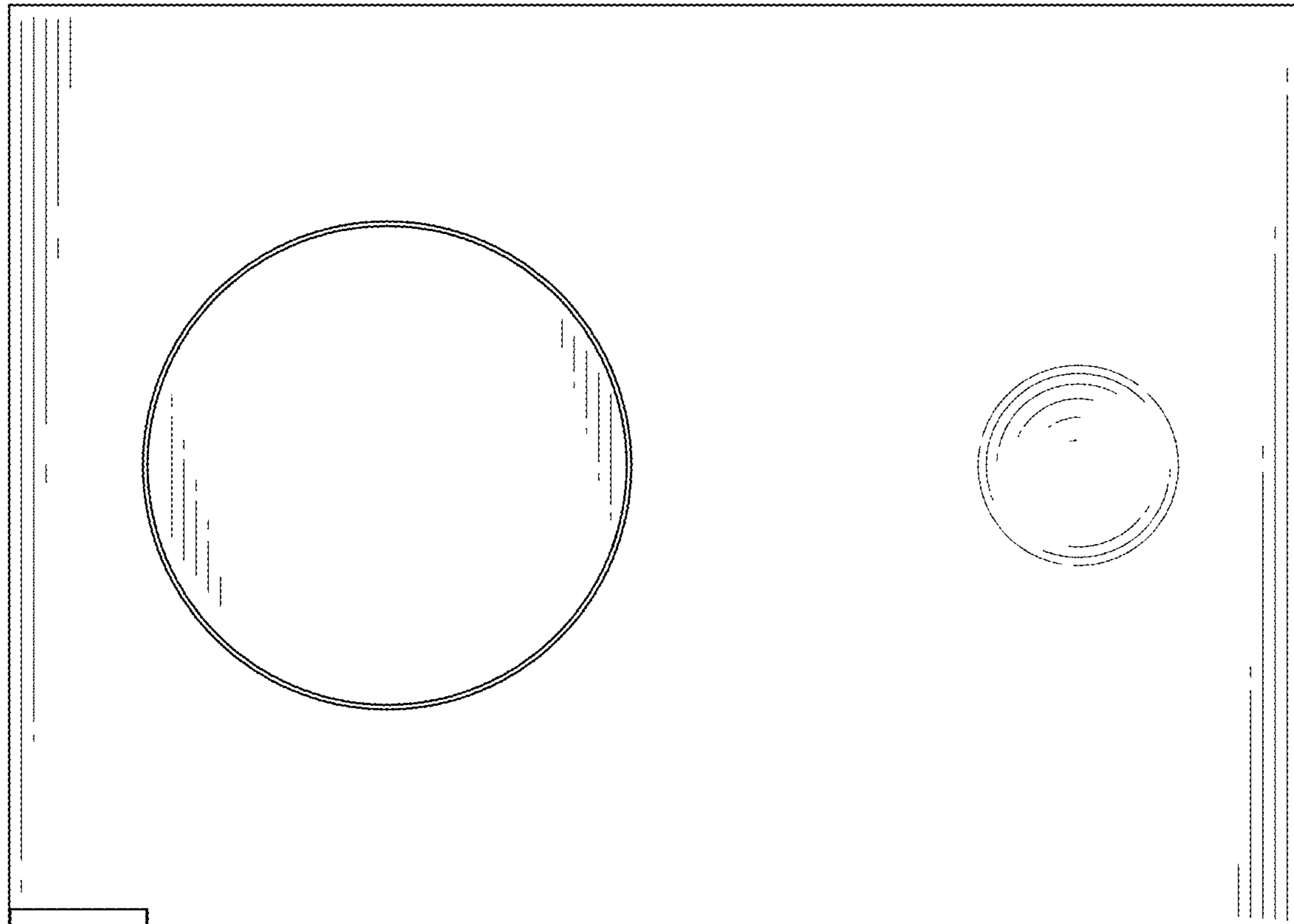


FIG. 7

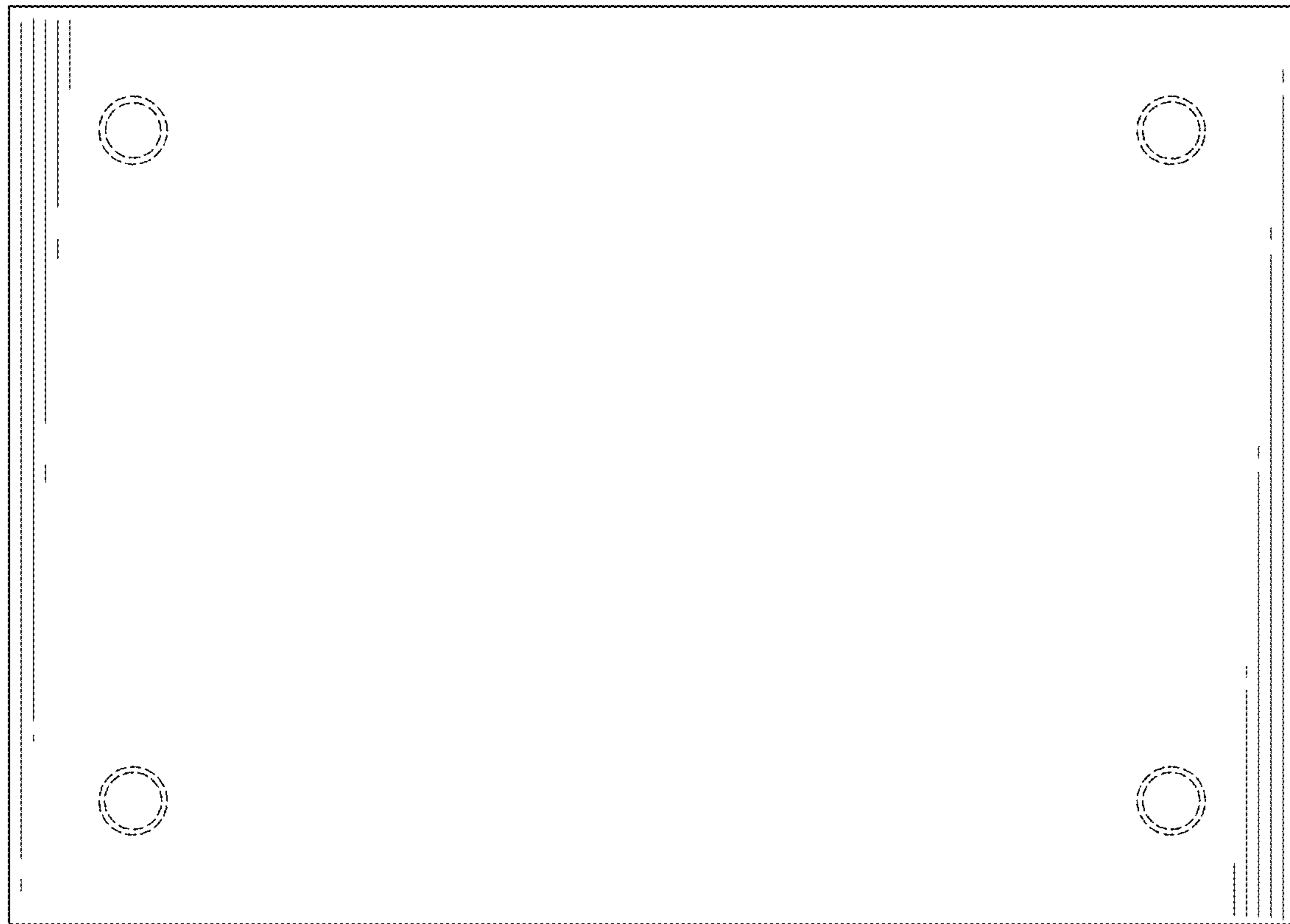


FIG. 8