



US00D869387S

(12) **United States Design Patent**
Ensing et al.

(10) **Patent No.:** **US D869,387 S**

(45) **Date of Patent:** **** Dec. 10, 2019**

(54) **RECHARGEABLE BATTERY**

(71) Applicant: **THERAGUN, LLC**, Beverly Hills, CA (US)

(72) Inventors: **Geert Ensing**, Shanghai (CN); **Michael Waldron**, Dunnington (GB)

(73) Assignee: **THERAGUN, LLC**, Santa Monica, CA (US)

(**) Term: **15 Years**

(21) Appl. No.: **29/619,833**

(22) Filed: **Oct. 2, 2017**

(51) **LOC (12) Cl.** **13-02**

(52) **U.S. Cl.**

USPC **D13/103**

(58) **Field of Classification Search**

USPC D13/103, 107, 108, 110, 123, 133,
D13/137.1-137.4, 138.1-138.2,
D13/139.1-139.8, 152, 154, 184, 118,
D13/119, 199

CPC H01R 25/00; H01R 25/006; H01R 13/00;
H01R 13/04; H01R 13/10; H01R
13/6666; H01R 13/6675; H01R 13/62;
H01R 13/66; H01R 9/00; H01R 11/00;
H01H 2207/00; H01H 2207/022; H01H
2203/00; H02J 7/00; H02J 7/0003; H02J
7/0011; H02J 7/0013; H02J 7/0054; H02J
7/0055; H02J 7/0057; H01M 2/02; H01M
2/022; H01M 2/0202; H01M 2/0207;
H01M 2/0212; H01M 2220/10; H01M
2220/20; Y02E 60/12; Y02E 60/122;
Y02E 60/124; Y02E 60/50; H02G 3/285

See application file for complete search history.

(56) **References Cited**

U.S. PATENT DOCUMENTS

D321,338 S * 11/1991 Sakamoto D13/103
D323,642 S * 2/1992 Liao D13/103

D345,727 S * 4/1994 Flowers D13/103
D383,435 S * 9/1997 Svetlik D13/103
D384,639 S * 10/1997 Kawakami D13/103
D412,485 S * 8/1999 Kato D13/103
D417,648 S * 12/1999 Clowers D13/103
6,007,939 A * 12/1999 Clowers B25F 5/00
429/100
D432,077 S * 10/2000 Zurwelle D13/103
D466,863 S * 12/2002 Zurwelle D13/119
D474,445 S * 5/2003 Matsuoka D13/103
D488,774 S * 4/2004 Zufall D13/103

(Continued)

OTHER PUBLICATIONS

Amazon.com: Energup Upgraded 2 Pack 12V 2500mAh Replacement . . . Date First Available on Amazon of Jul. 20, 2017. Retrieved from the internet at <<https://www.amazon.com/dp/B0744CV97H/>>, Sep. 6, 2019. 1 page. (Year: 2017).*

Primary Examiner — Rosemary K Tarcza

Assistant Examiner — Christy M Nemeth

(74) *Attorney, Agent, or Firm* — Jeffer Mangels; Butler & Mitchell LLP; Brennan C. Swain, Esq.

(57) **CLAIM**

The ornamental design for a rechargeable battery, as shown and described.

DESCRIPTION

FIG. 1 is a perspective view of a rechargeable battery of our new design;

FIG. 2 is a front elevational view thereof;

FIG. 3 is a rear elevational view thereof;

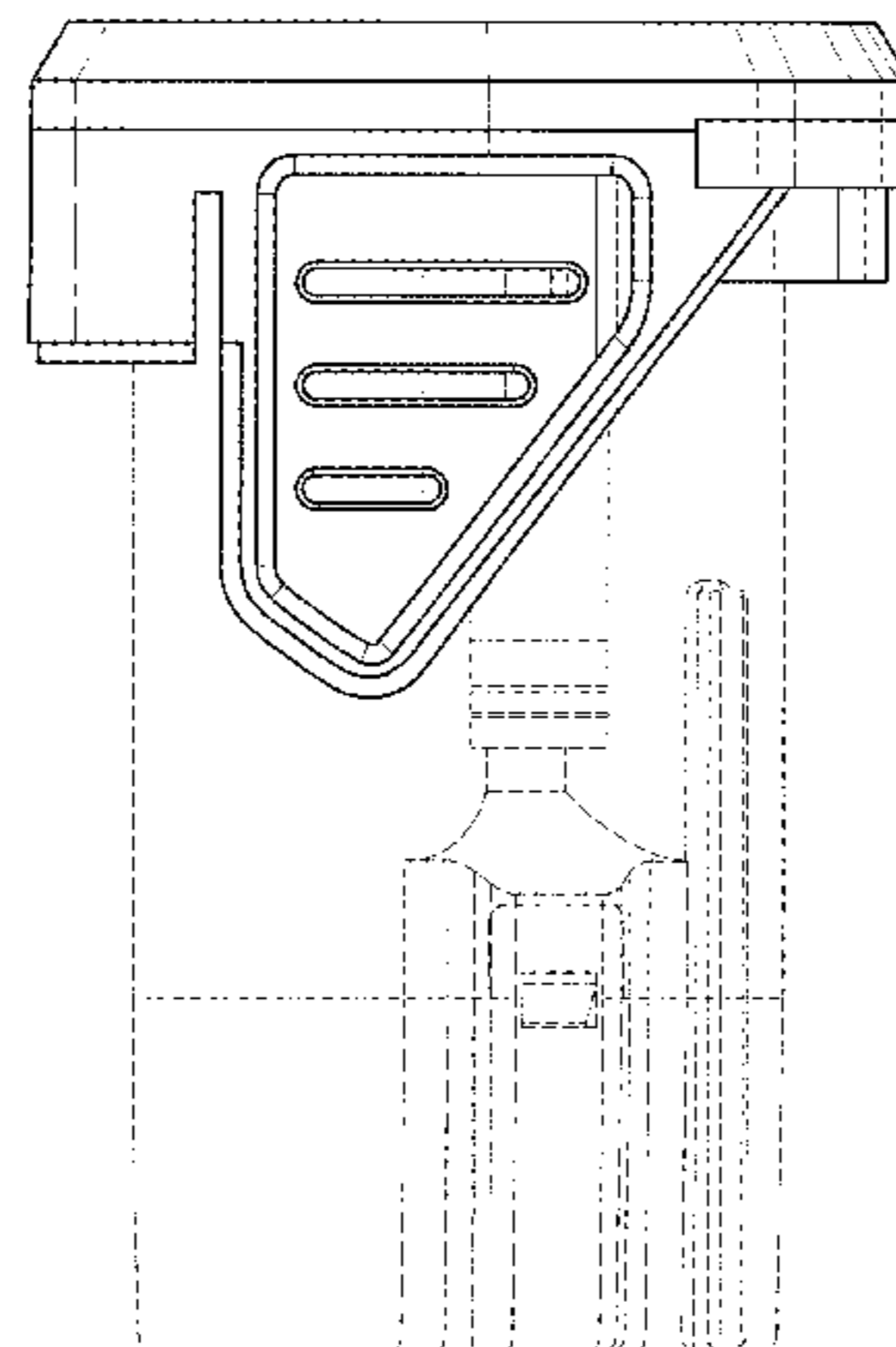
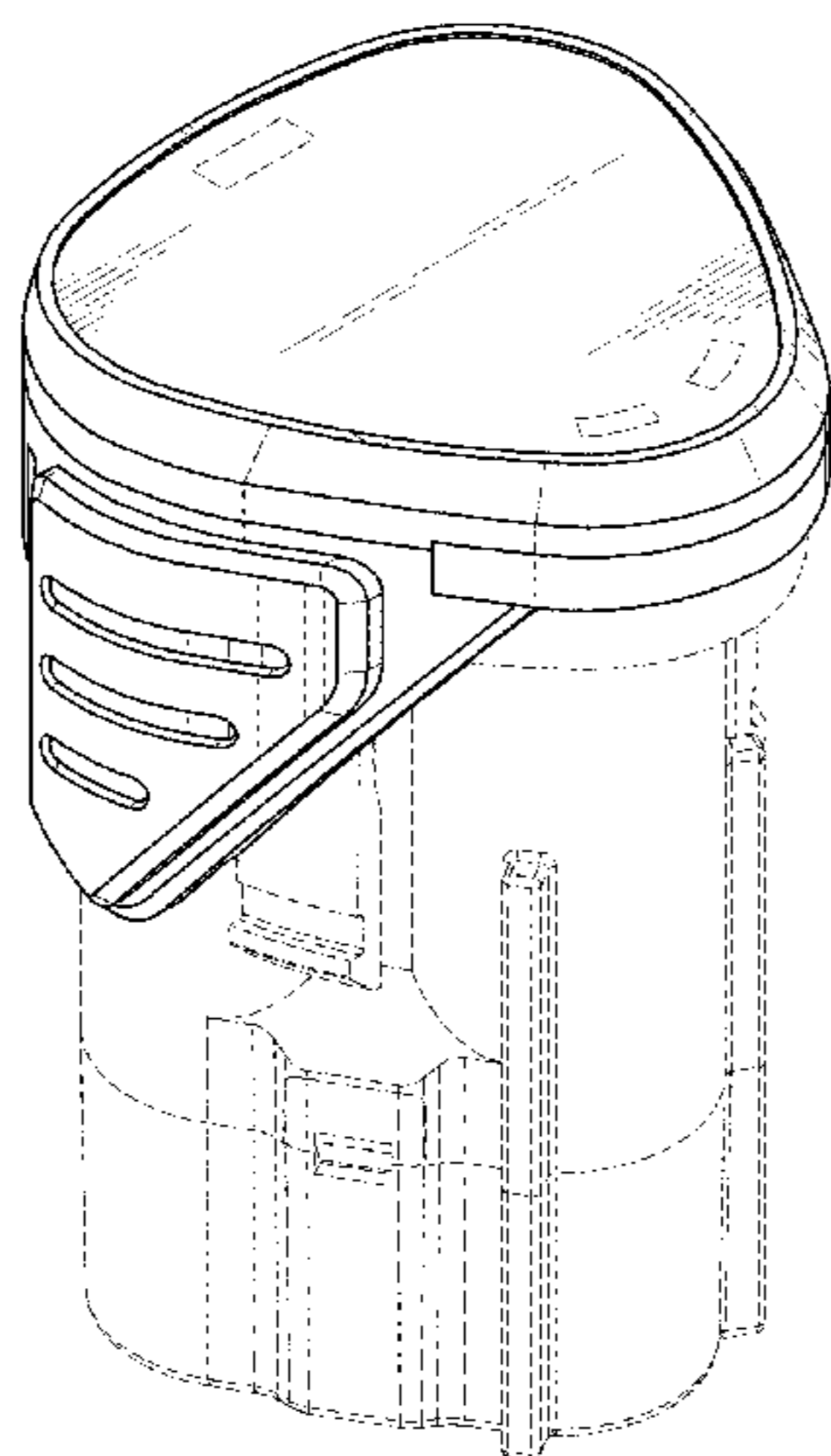
FIG. 4 is a right side elevational view, the left side elevational view being a mirror image thereof;

FIG. 5 is a top plan view thereof; and,

FIG. 6 is a bottom plan view thereof.

The broken lines in the drawings are for the purpose of illustrating portions of the rechargeable battery that form no part of the claimed design.

1 Claim, 6 Drawing Sheets



(56)

References Cited

U.S. PATENT DOCUMENTS

D504,111	S *	4/2005	Ozawa	D13/103
D504,394	S *	4/2005	Cheung	D13/103
D528,975	S *	9/2006	Chi	D13/103
D530,270	S *	10/2006	Ozawa	D13/103
D544,436	S *	6/2007	Kawahara	D13/103
D547,264	S *	7/2007	Kondo	D13/103
D553,562	S *	10/2007	Okada	D13/103
D579,868	S *	11/2008	Harrison	D13/103
D580,353	S *	11/2008	Harrison	D13/103
D590,333	S *	4/2009	Price	D13/103
D597,482	S *	8/2009	Kondo	D13/103
D598,844	S *	8/2009	Harrison	D13/103
D603,331	S *	11/2009	Schupp	D13/103
D622,660	S *	8/2010	Taniguchi	D13/103
7,799,448	B2 *	9/2010	Cruise	H01M 2/1022
				429/7
7,953,965	B2 *	5/2011	Qin	G06F 9/4401
				713/1
8,383,263	B2 *	2/2013	Cruise	H01M 2/1022
				429/163
D682,195	S *	5/2013	Aglassinger	D13/103
D699,672	S *	2/2014	Kosugi	D13/103
9,871,370	B2 *	1/2018	Friedman	H02H 3/087
D817,869	S *	5/2018	Lee	D13/103
D818,949	S *	5/2018	Dunkin	D13/103
D823,247	S *	7/2018	Lemelson	D13/108

* cited by examiner

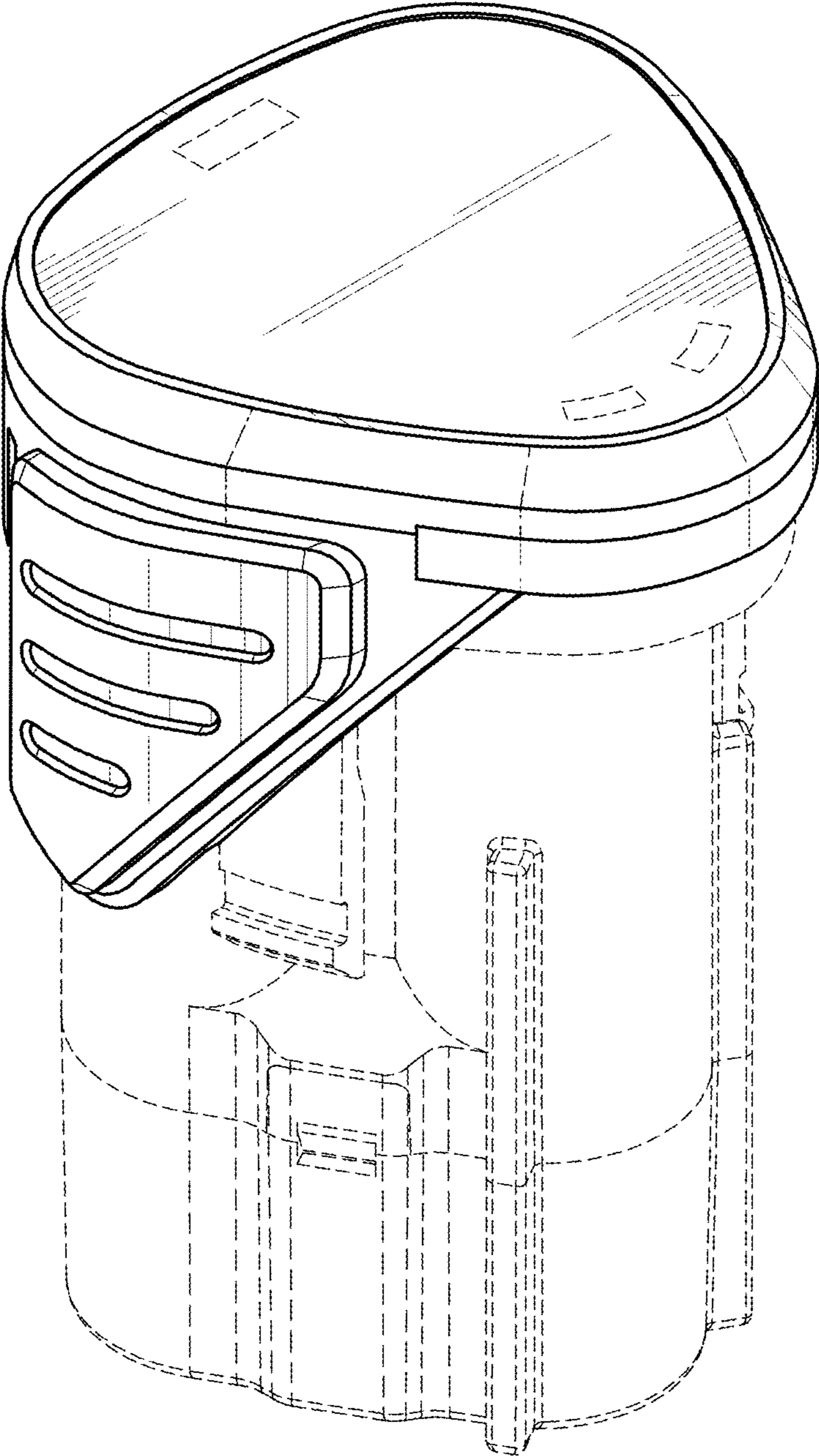


FIG. 1

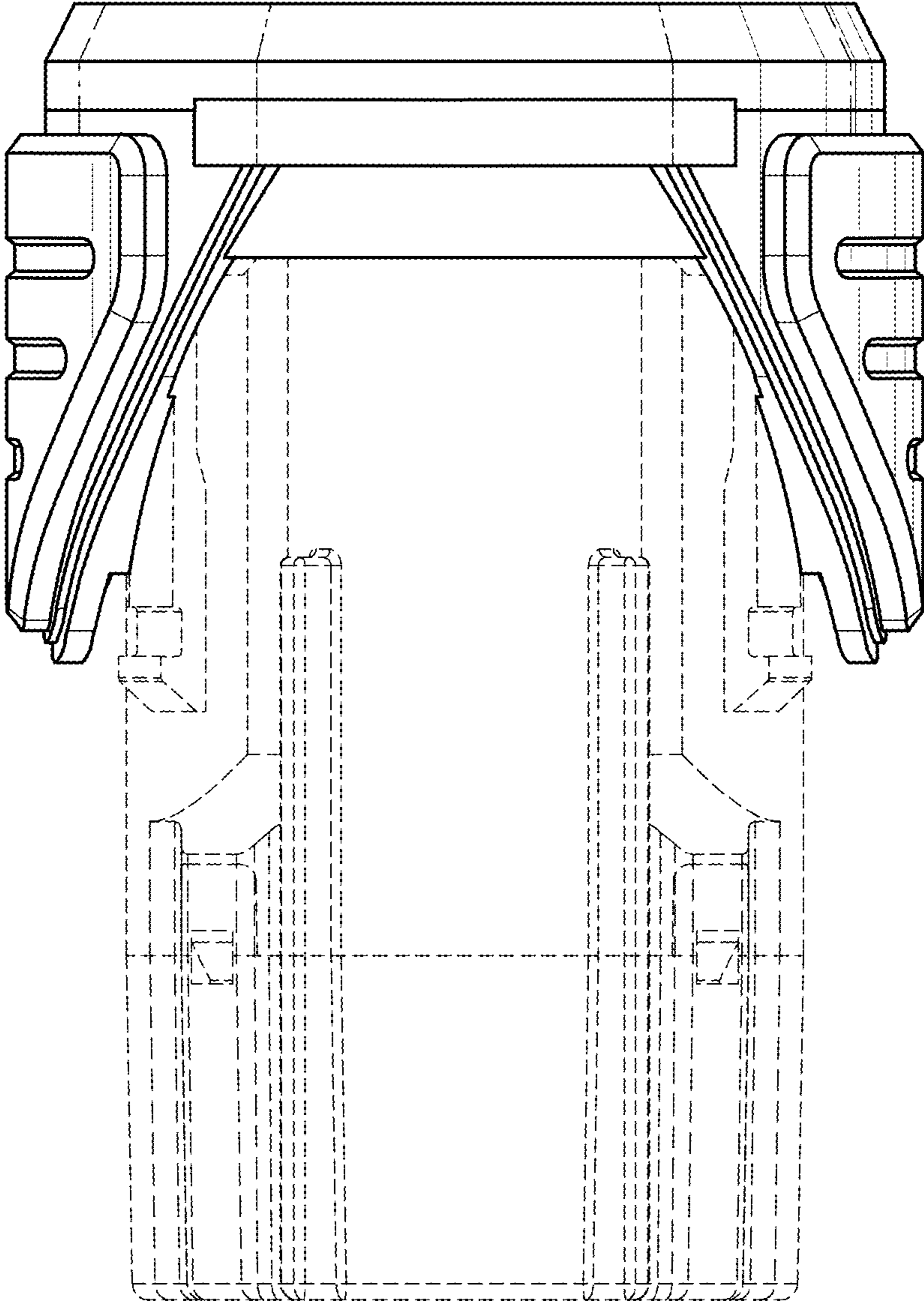


FIG. 2

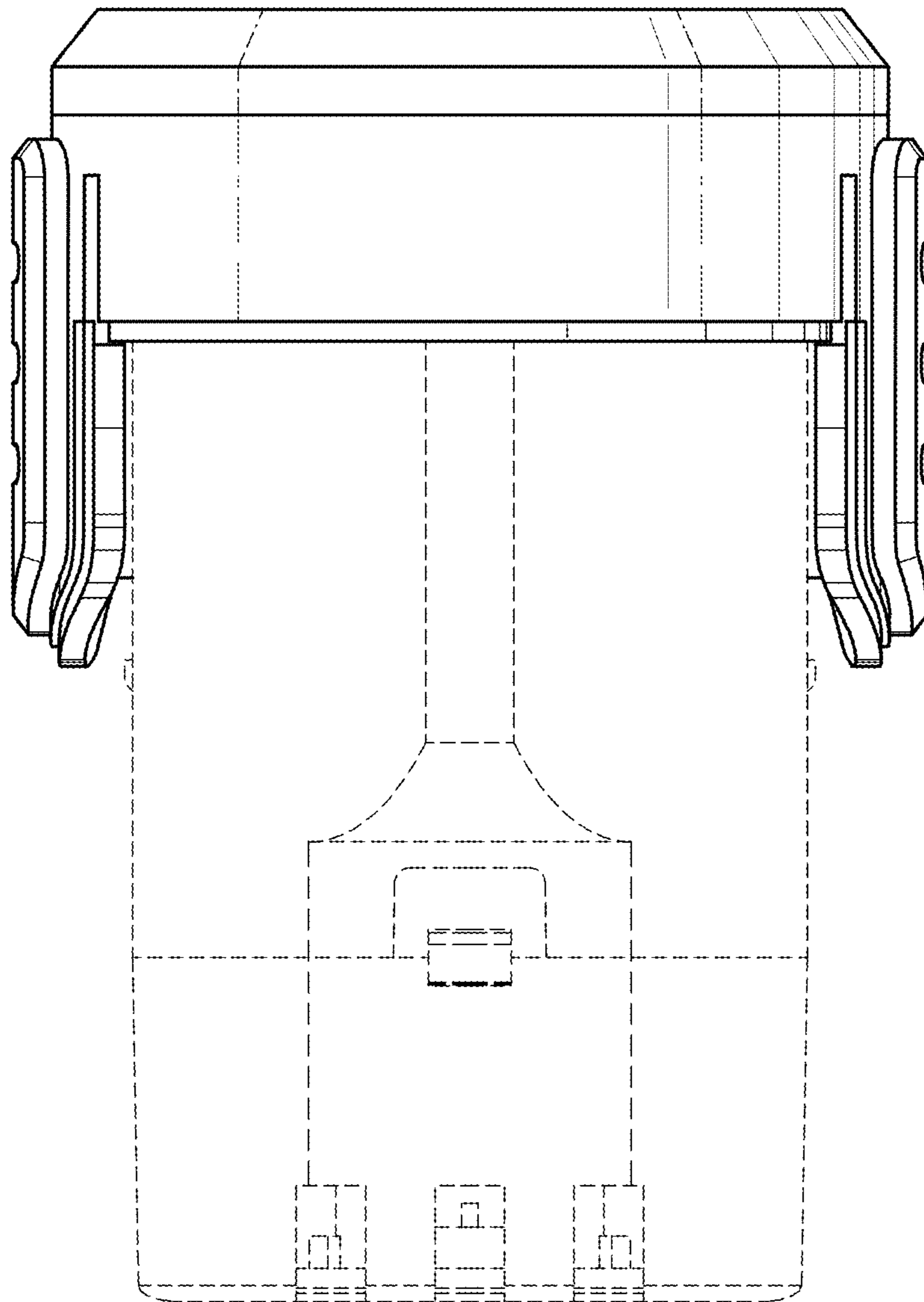


FIG. 3

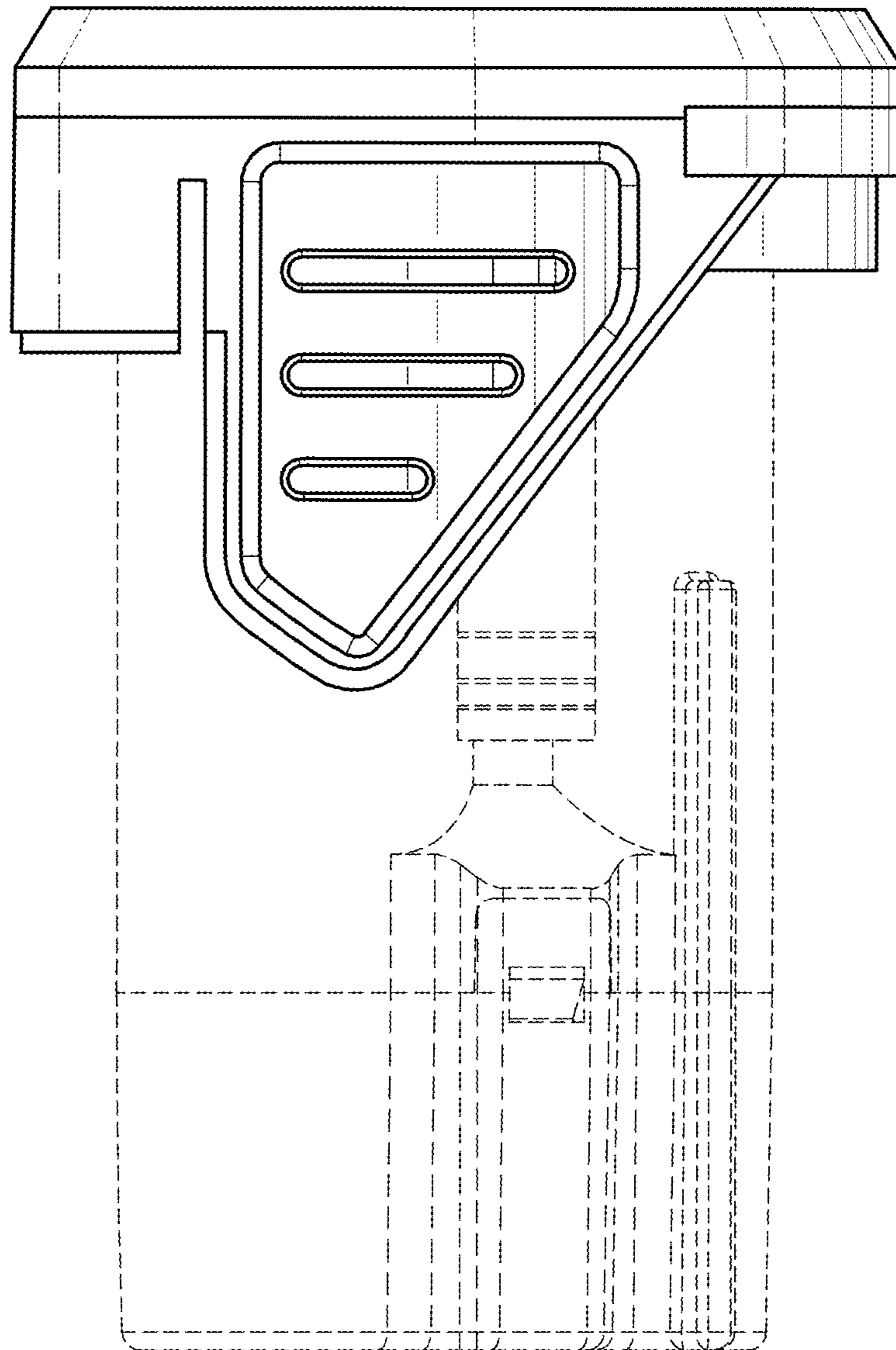


FIG. 4

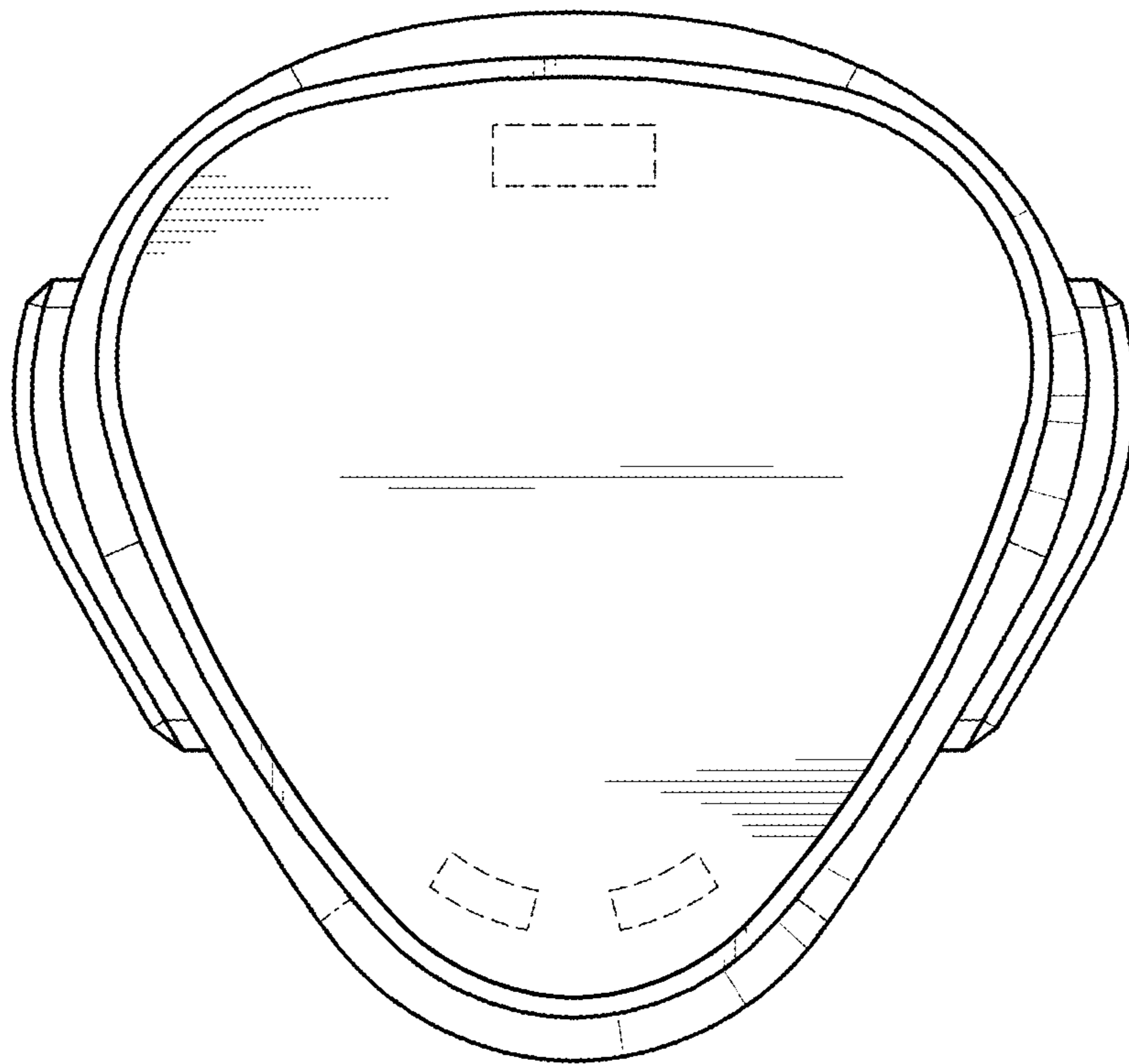


FIG. 5

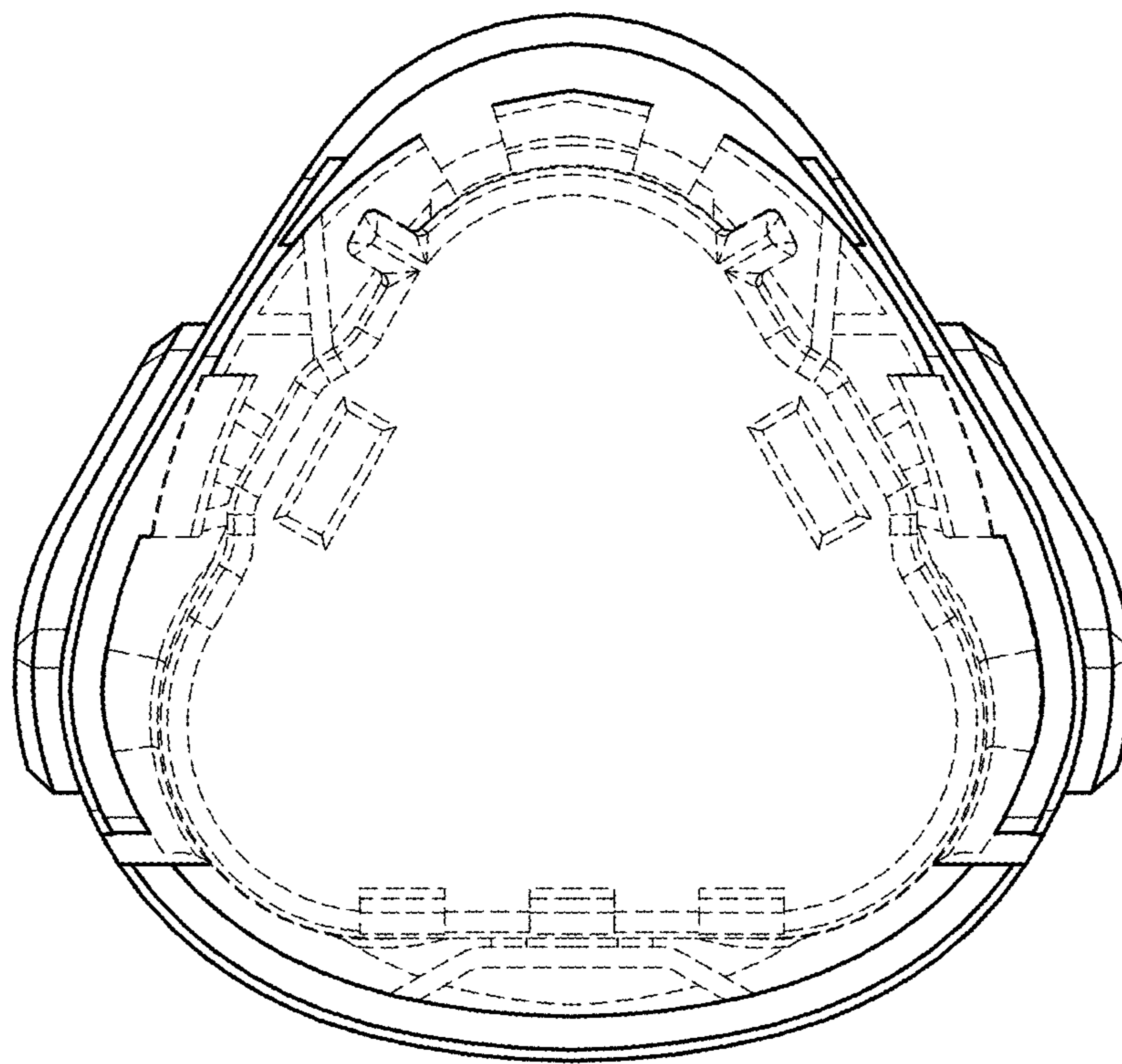


FIG. 6