



US00D869384S

(12) **United States Design Patent** (10) **Patent No.:** **US D869,384 S**
Hsueh (45) **Date of Patent:** **** Dec. 10, 2019**

- (54) **TIRE**
- (71) Applicant: **CHENG SHIN RUBBER IND. CO., LTD.**, Chang-Hwa (TW)
- (72) Inventor: **Chao Hsueh**, Chang-Hwa (TW)
- (73) Assignee: **Cheng Shin Rubber Industrial Co., Ltd.**, Tasuen, Changhua County (TW)
- (**) Term: **15 Years**
- (21) Appl. No.: **29/660,091**
- (22) Filed: **Aug. 17, 2018**
- (51) **LOC (12) Cl.** **12-15**
- (52) **U.S. Cl.**
USPC **D12/544**
- (58) **Field of Classification Search**
USPC D12/544, 545, 579, 580, 600
CPC B60C 11/11
See application file for complete search history.

- D449,804 S * 10/2001 Lo D12/544
- D548,676 S * 8/2007 Nishimori D12/544
- D554,575 S * 11/2007 Sakakibara D12/544
- D571,712 S * 6/2008 Ohigashi D12/536
- D600,632 S * 9/2009 Lo D12/544
- D751,973 S * 3/2016 Rooney D12/544
- D766,165 S * 9/2016 Chen D12/544
- D781,214 S * 3/2017 Lo D12/544
- D826,139 S * 8/2018 Chen D12/544

* cited by examiner

Primary Examiner — George D. Kirschbaum
Assistant Examiner — Joseph J Kukella
(74) *Attorney, Agent, or Firm* — Rosenberg, Klein & Lee

(57) **CLAIM**

The ornamental design for a tire, as shown and described.

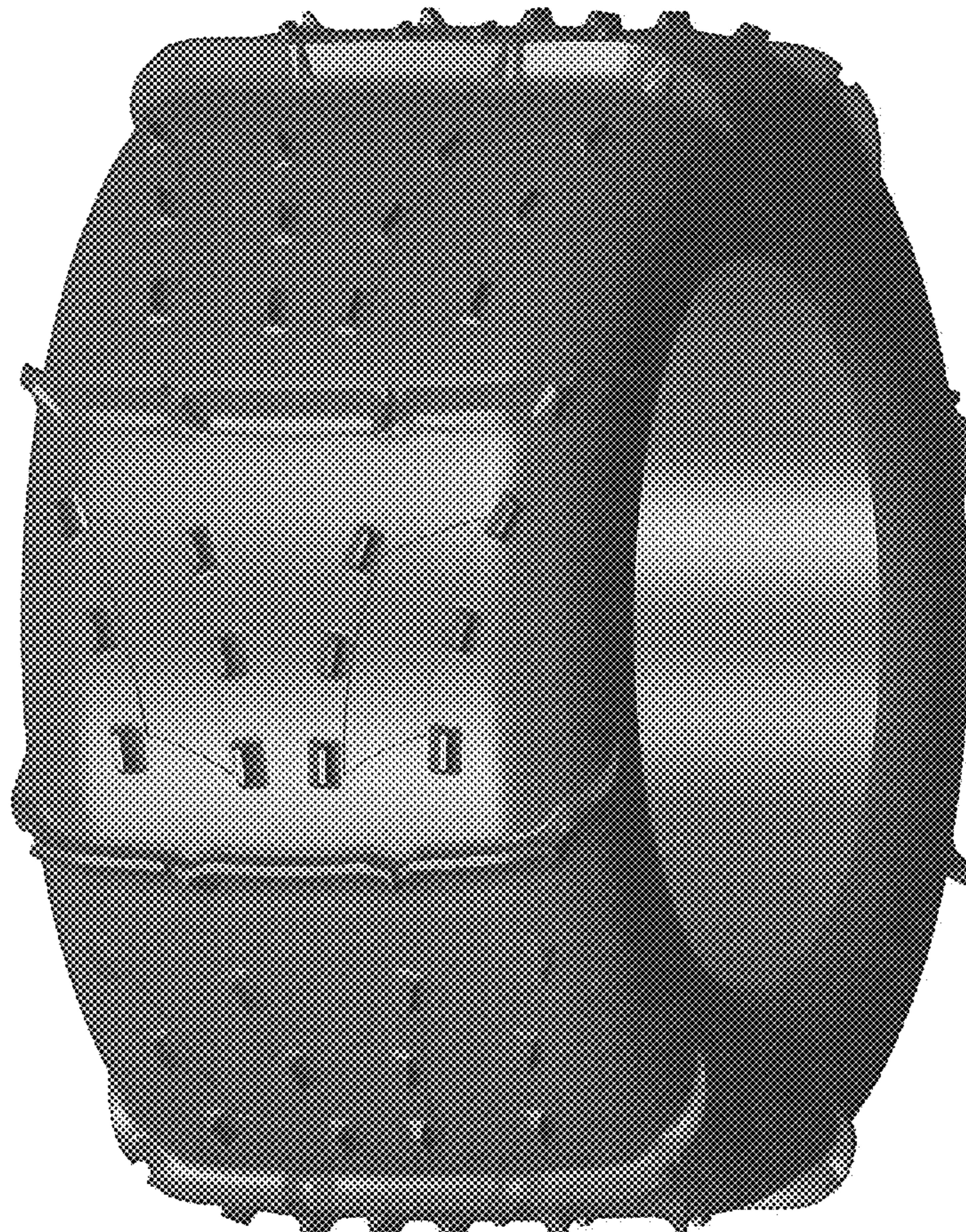
DESCRIPTION

FIG. 1 is a front-right-top perspective view of a tire showing my new design;
FIG. 2 is a front elevational view thereof, the opposite side being a mirror image;
FIG. 3 is a right elevational view thereof, the opposite side being a mirror image; and,
FIG. 4 is an enlarge fragmentary front elevational view thereof.

1 Claim, 4 Drawing Sheets

(56) **References Cited**
U.S. PATENT DOCUMENTS

- D306,001 S * 2/1990 Shimamoto D12/544
- D323,135 S * 1/1992 Thomas D12/504



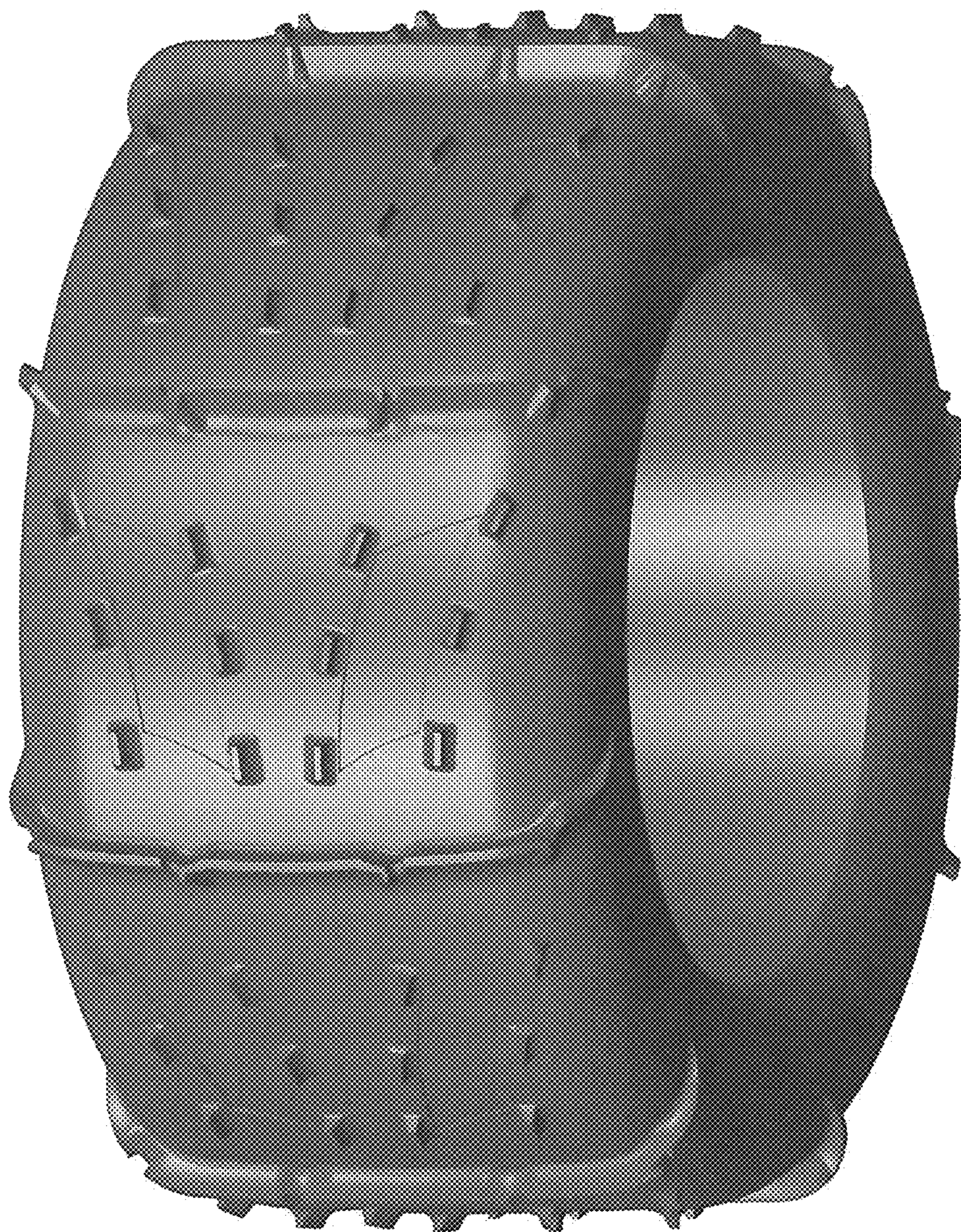


Fig. 1

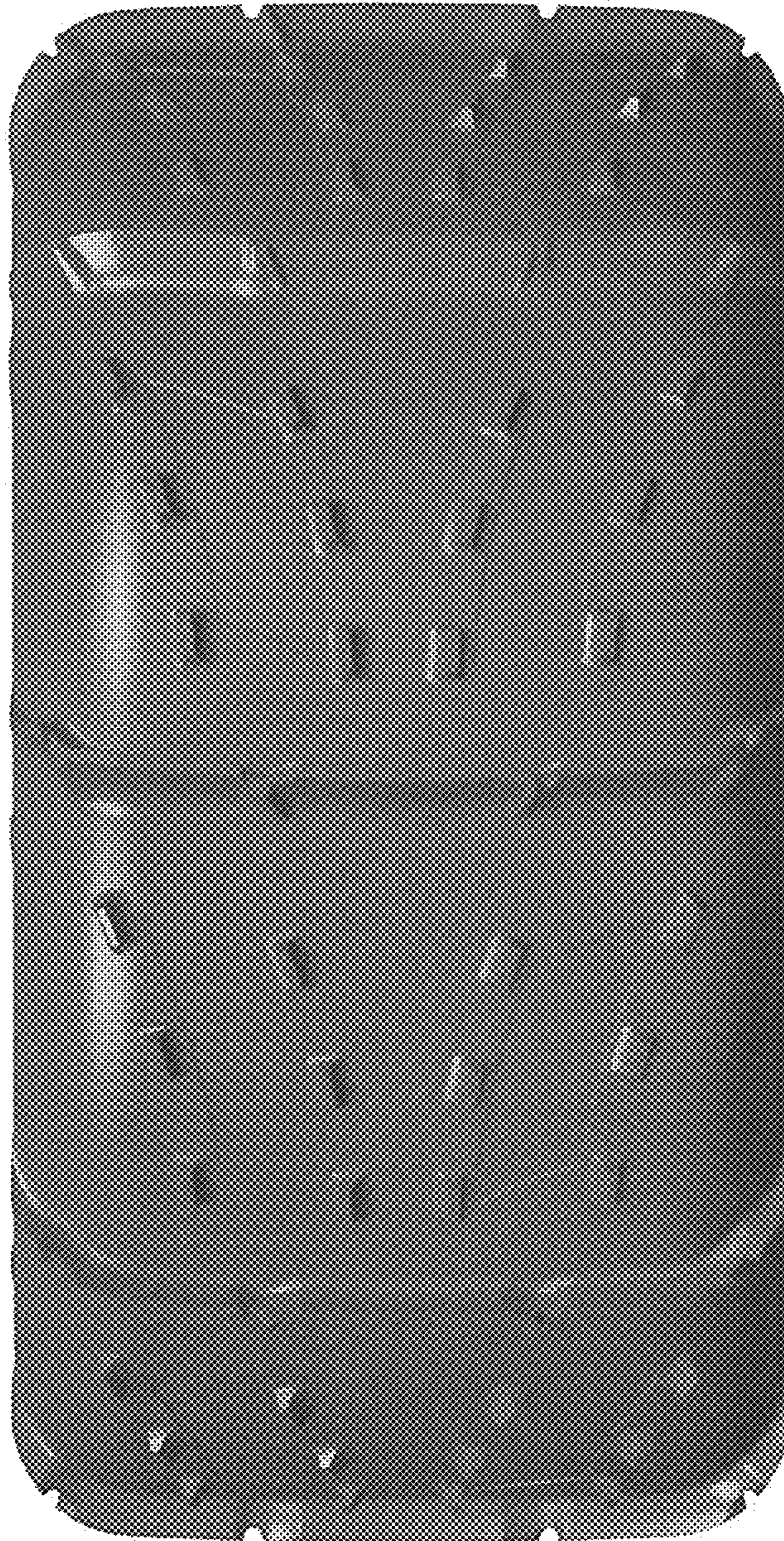


Fig. 2



Fig. 3

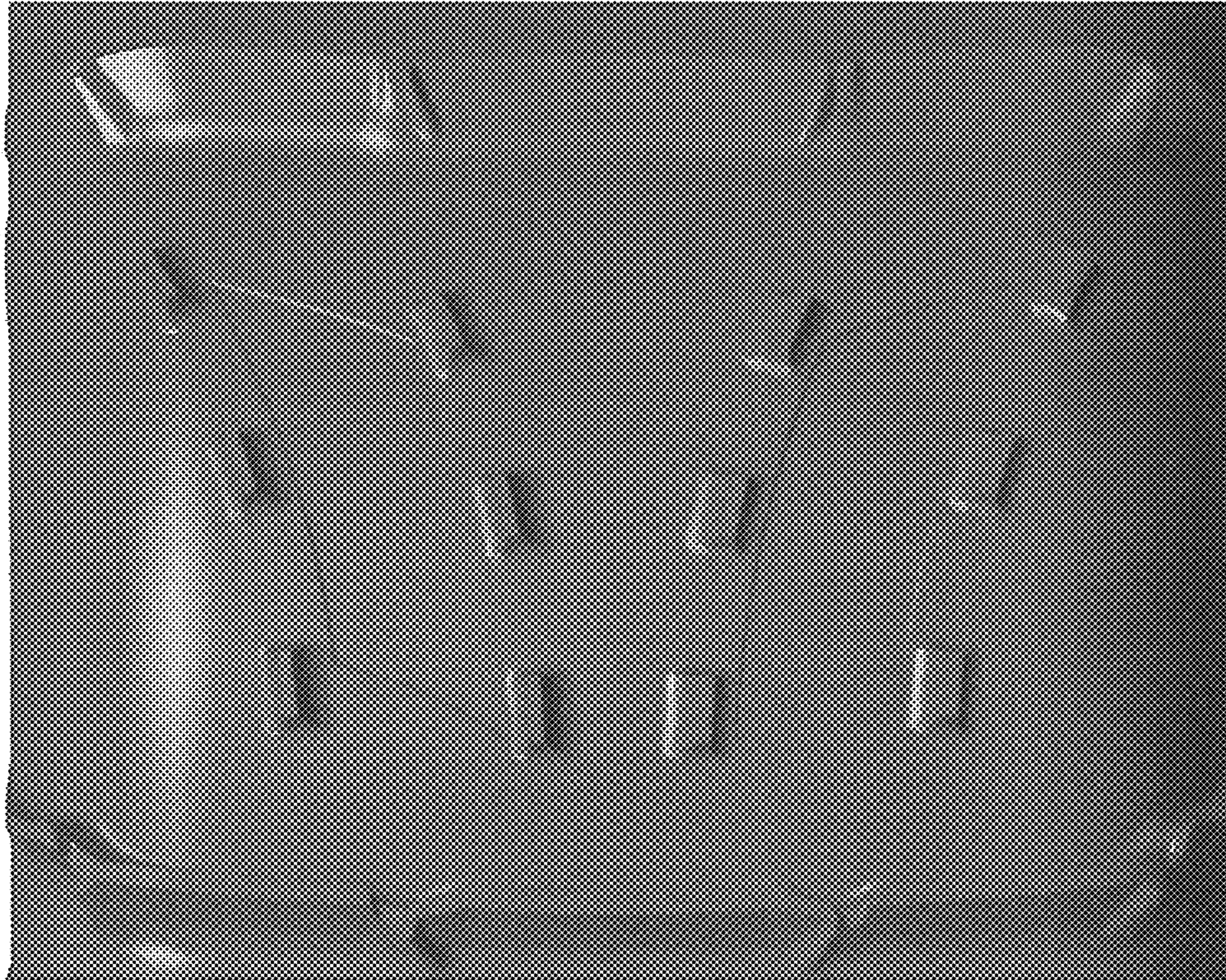


Fig. 4