

US00D869383S

(12) **United States Design Patent**  
**Basl et al.**

(10) **Patent No.:** **US D869,383 S**

(45) **Date of Patent:** **\*\* Dec. 10, 2019**

(54) **TIRE**

(71) Applicant: **The Goodyear Tire & Rubber Company, Akron, OH (US)**

(72) Inventors: **Jennifer Marie Basl, Akron, OH (US); Shannon Joseph Hughes, Rootstown, OH (US); Rachel Tamar Graves, Stow, OH (US); Jonathan Robert Luke, North Canton, OH (US); Dale Edward Umstot, Atwater, OH (US)**

(73) Assignee: **The Goodyear Tire & Rubber Company, Akron, OH (US)**

(\*\*) Term: **15 Years**

(21) Appl. No.: **29/654,757**

(22) Filed: **Jun. 27, 2018**

(51) **LOC (12) Cl.** ..... **12-15**

(52) **U.S. Cl.**  
USPC ..... **D12/521**

(58) **Field of Classification Search**  
USPC ..... D12/500-532, 604  
CPC ..... Y10T 152/10027; B60C 1/0016; B60C 11/0306; B60C 11/0302; B60C 3/06; B60C 9/17

See application file for complete search history.

(56) **References Cited**

**U.S. PATENT DOCUMENTS**

D453,730 S	2/2002	Weber	.....	D12/532
D480,351 S	10/2003	Dixon et al.	.....	D12/601
D517,001 S	3/2006	Maziarka et al.	.....	D12/597
D541,731 S	5/2007	Maziarka et al.	.....	D12/528
D586,727 S	2/2009	Campana	.....	D12/545
D601,950 S	10/2009	Pressley et al.	.....	D12/588
D616,810 S	6/2010	Scheuren et al.	.....	D12/601
D619,087 S	7/2010	Scheuren et al.	.....	D12/601

(Continued)

**OTHER PUBLICATIONS**

U.S. Appl. No. 29/629,201, filed Dec. 12, 2017, Goodyear.

*Primary Examiner* — Lakiya G Rogers

*Assistant Examiner* — John A Voytek

(74) *Attorney, Agent, or Firm* — Robert N. Lipsik

(57) **CLAIM**

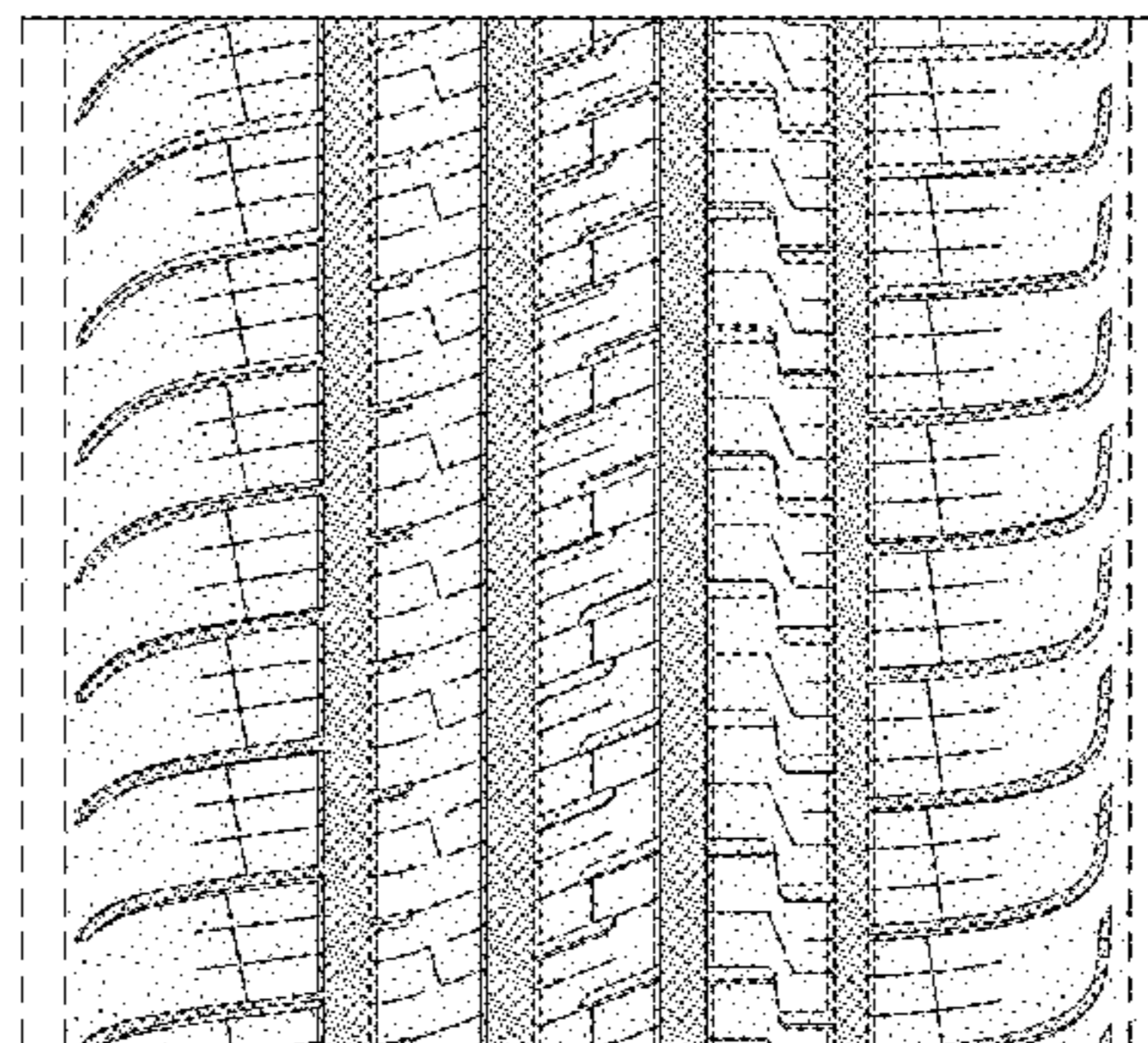
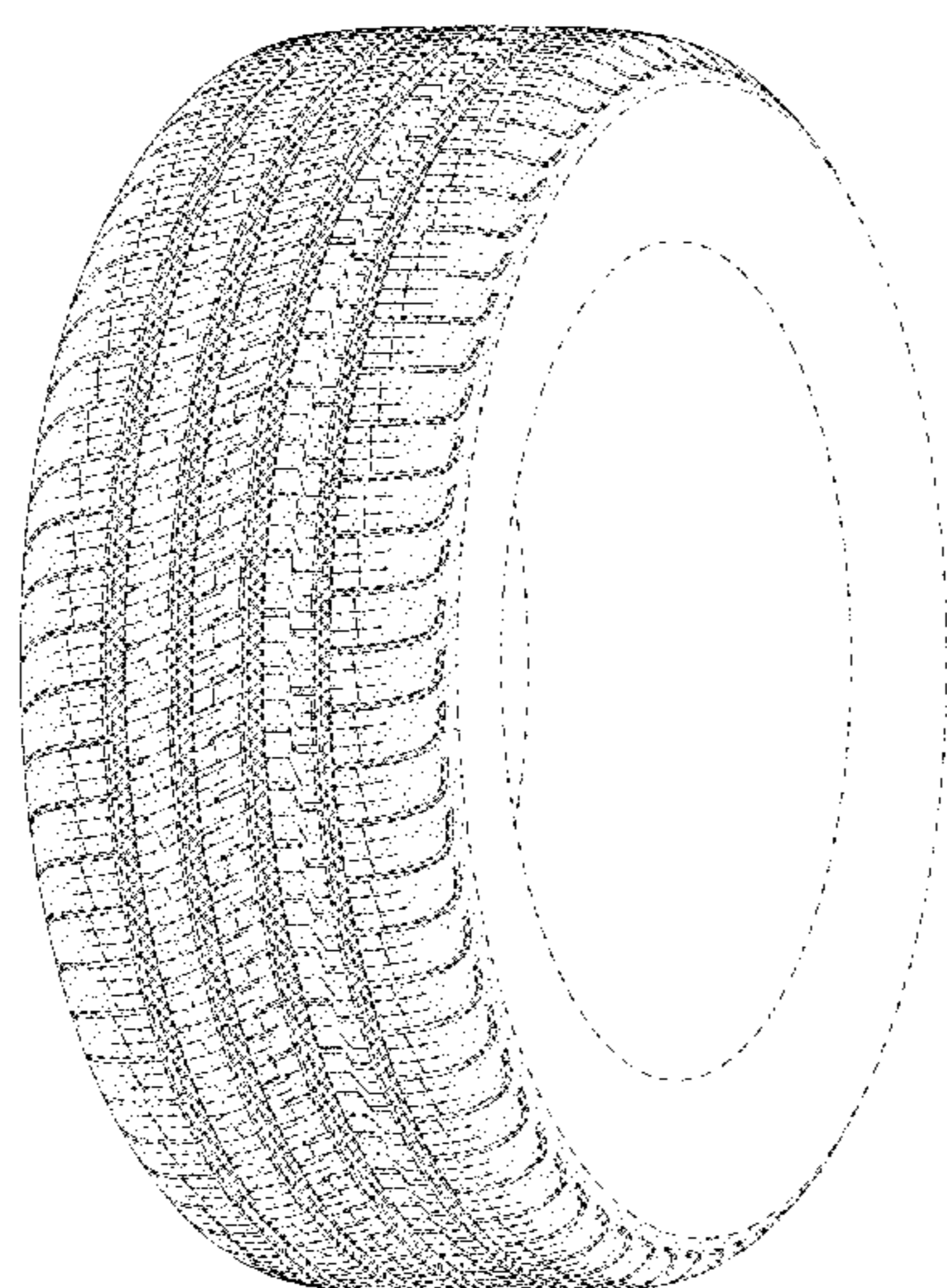
The ornamental Design for a tire, as shown and described.

**DESCRIPTION**

FIG. 1 is a right side perspective view of a tire showing our new design, it being understood that the pattern repeats uniformly throughout the circumference of the tread; FIG. 2 is a left side perspective view thereof; FIG. 3 is a front elevational view thereof; FIG. 4 is a right side elevational view thereof; FIG. 5 is a left side elevational view thereof; FIG. 6 is an enlarged fragmentary front elevational view thereof; FIG. 7 is a right side perspective view of a second embodiment of a tire showing our new design, it being understood that the interior of the tire forms no part of the claim, that the pattern repeats uniformly throughout the circumference of the tread and that the opposite side view is identical thereto; FIG. 8 is a left side perspective view of a second embodiment; and, FIG. 9 is a front elevational view of a second embodiment, it being understood that an enlarged fragmentary view thereof would be substantially identical to that shown in FIG. 6, with the exception of the inclusion of the sidewall in the claim.

In the drawings, the broken lines immediately adjacent to the outer edges of the tire shoulder represent boundaries of the claim, and the broken lines depict environmental subject matter only and form no part of the claimed design.

**1 Claim, 9 Drawing Sheets**



(56)

**References Cited**

U.S. PATENT DOCUMENTS

D635,916 S	4/2011	Krier .....	D12/588
D648,264 S	11/2011	Le et al. ....	D12/588
D651,159 S	12/2011	Scharis et al. ....	D12/517
D710,295 S	8/2014	Bortolet et al. ....	D12/601
D735,113 S *	7/2015	Schoeppner .....	D12/521
D740,210 S	10/2015	Uphouse et al. ....	D12/588
D740,214 S	10/2015	Le et al. ....	D12/600
D771,550 S *	11/2016	Davis .....	D12/521
D783,509 S	4/2017	Scalas .....	D12/567
D789,870 S *	6/2017	Dixon .....	D12/521
D795,793 S	8/2017	Schoeppner et al. ....	D12/523
D796,425 S *	9/2017	Sareen .....	D12/521
D800,636 S *	10/2017	Morita .....	D12/516
D836,533 S *	12/2018	Kubota .....	D12/518
D838,664 S *	1/2019	Pribula .....	D12/595
D847,726 S *	5/2019	Maggelet .....	D12/521
D850,358 S *	6/2019	Park .....	D12/523

\* cited by examiner

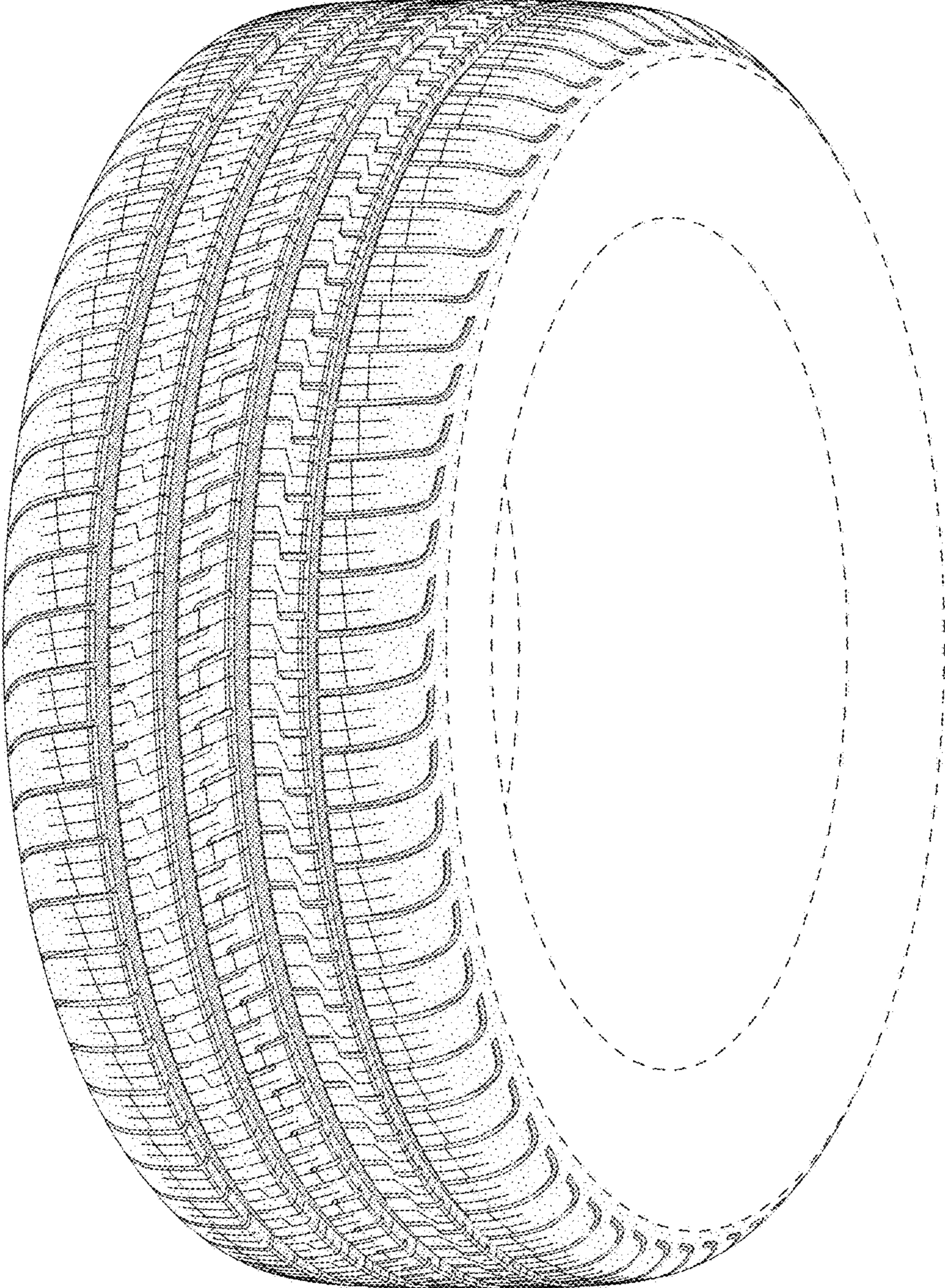


FIG - 1

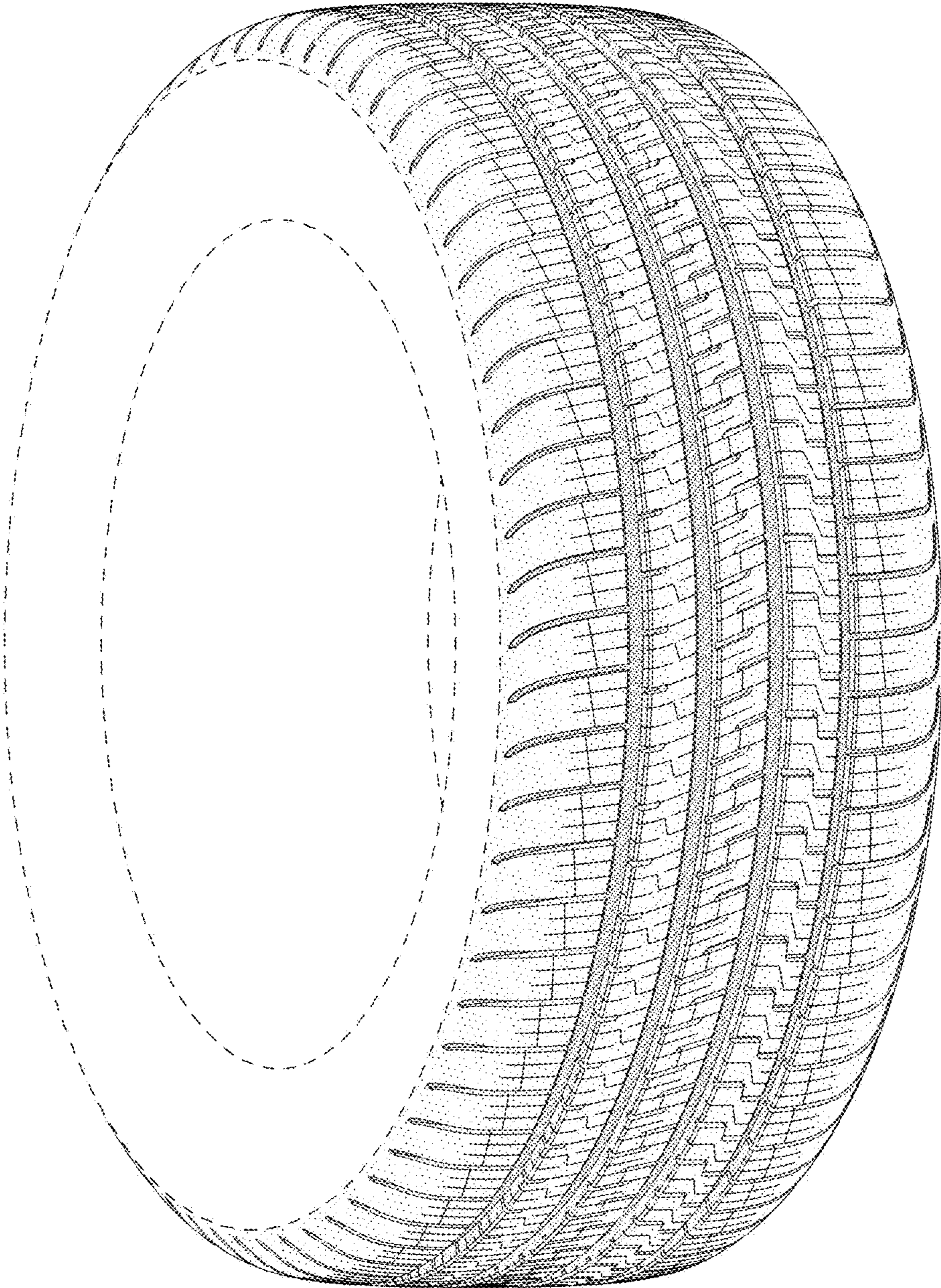


FIG - 2

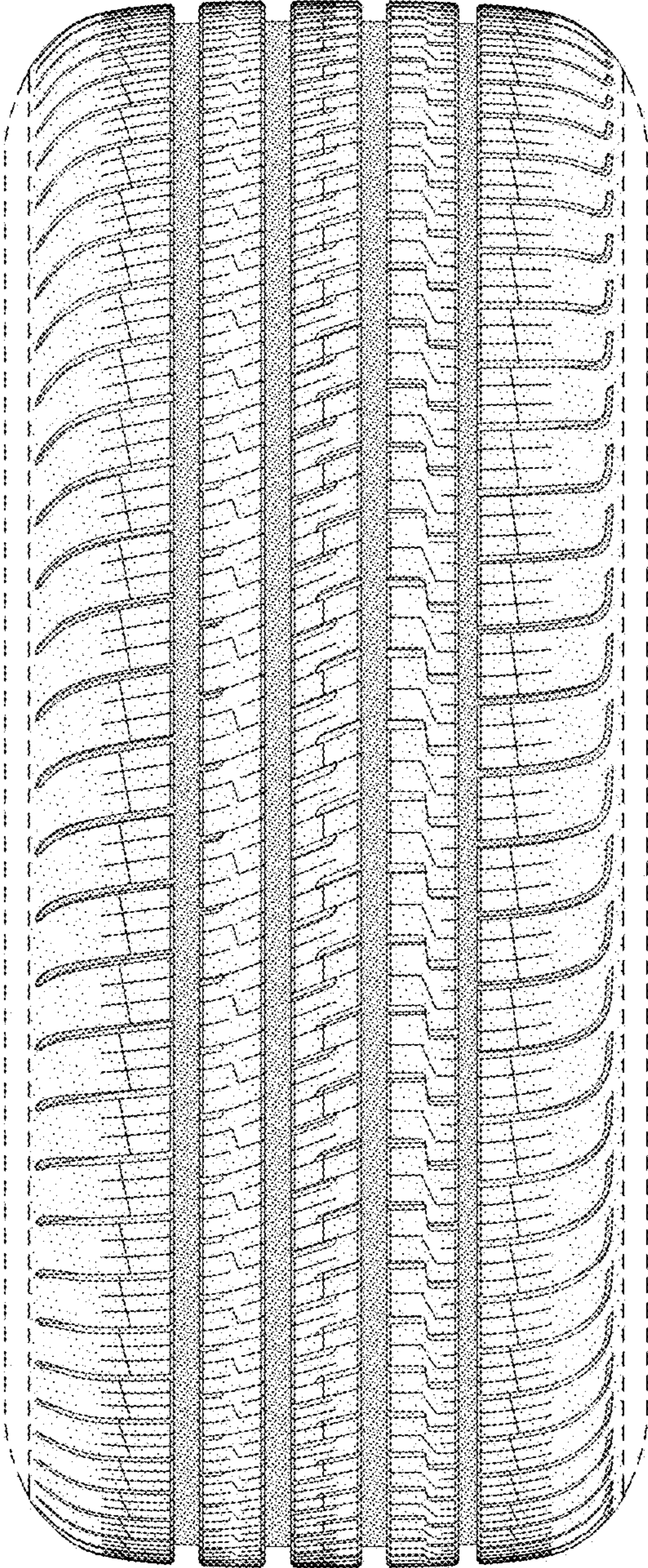


FIG - 3

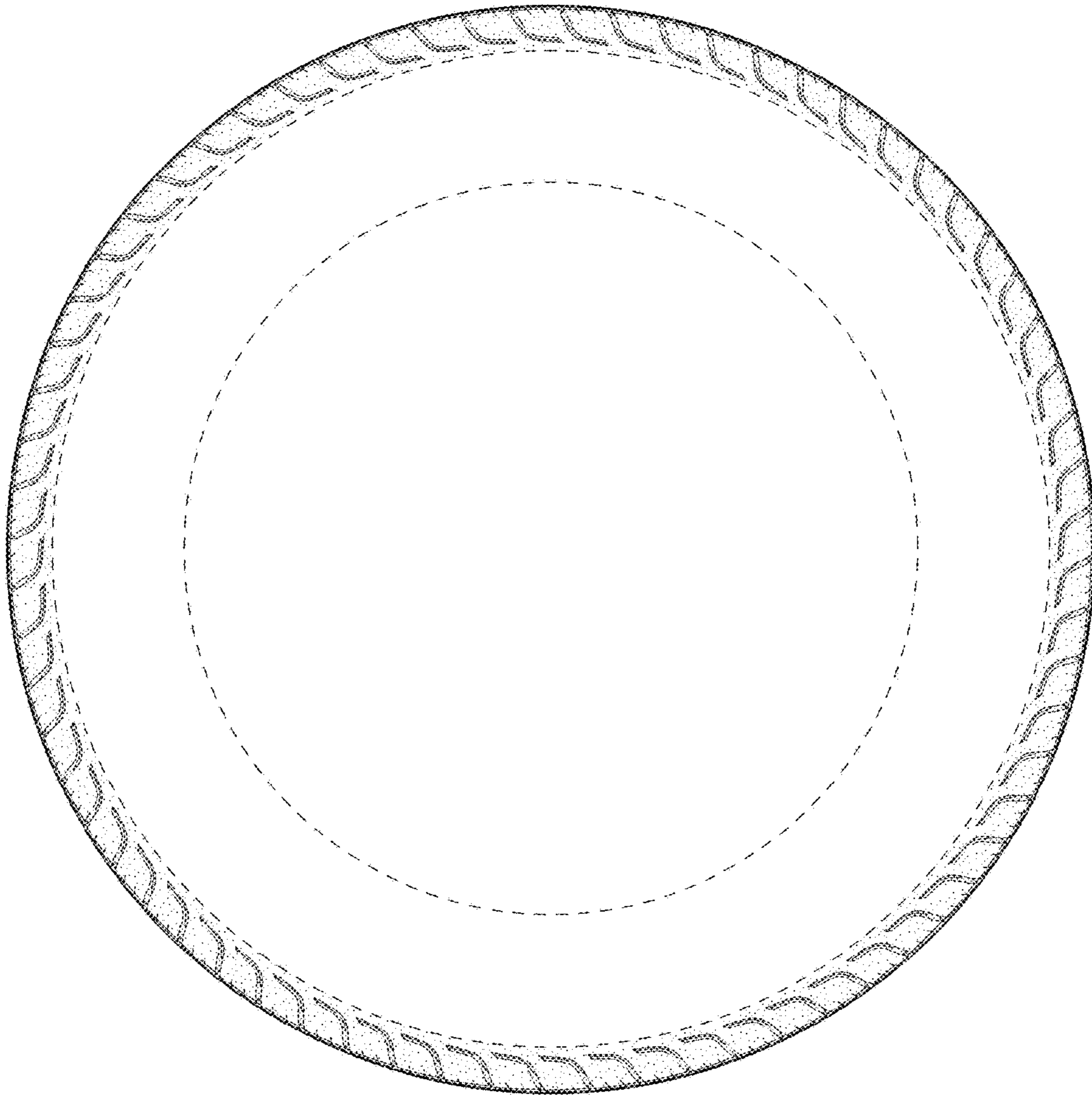


FIG - 4

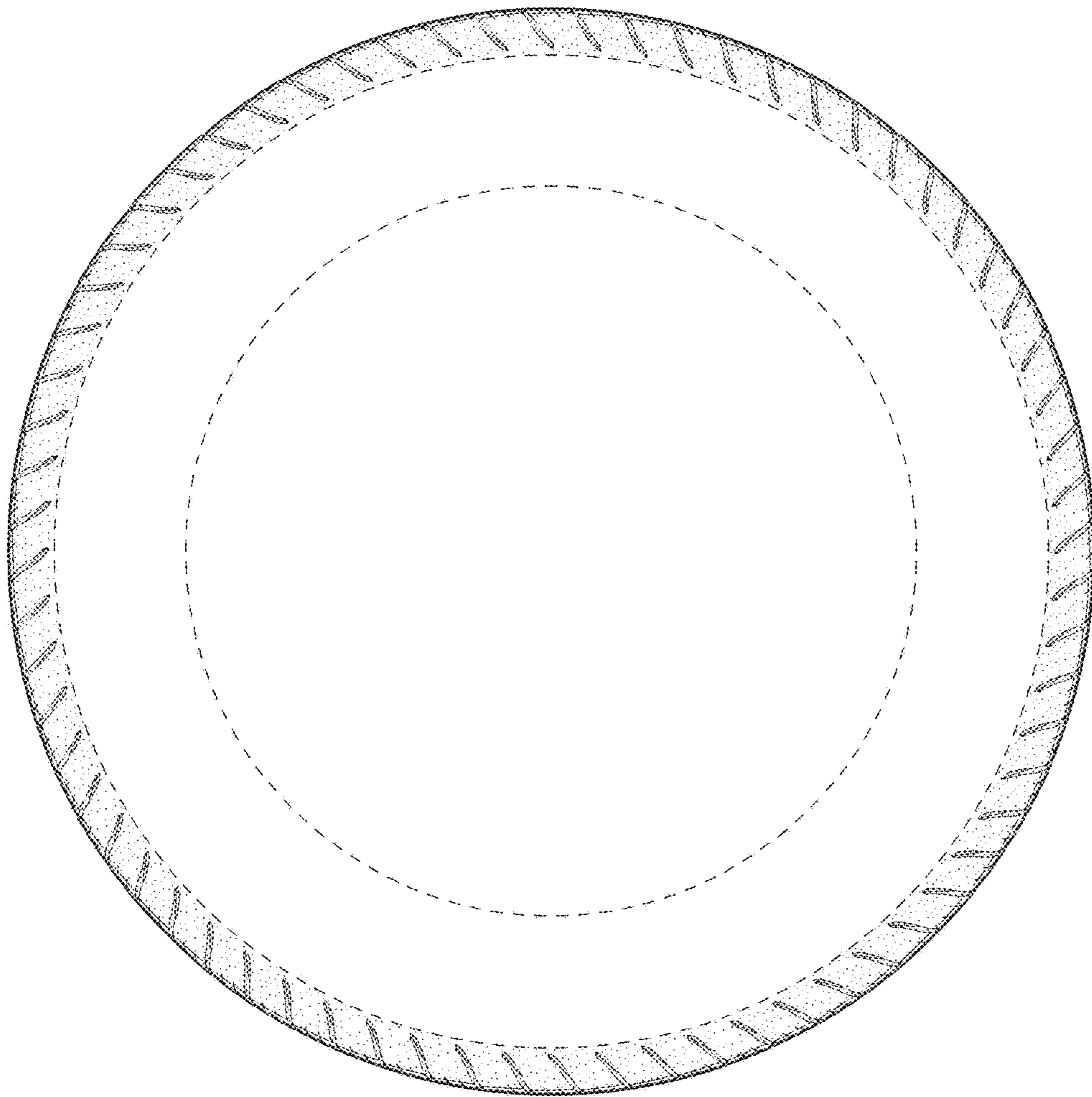


FIG - 5

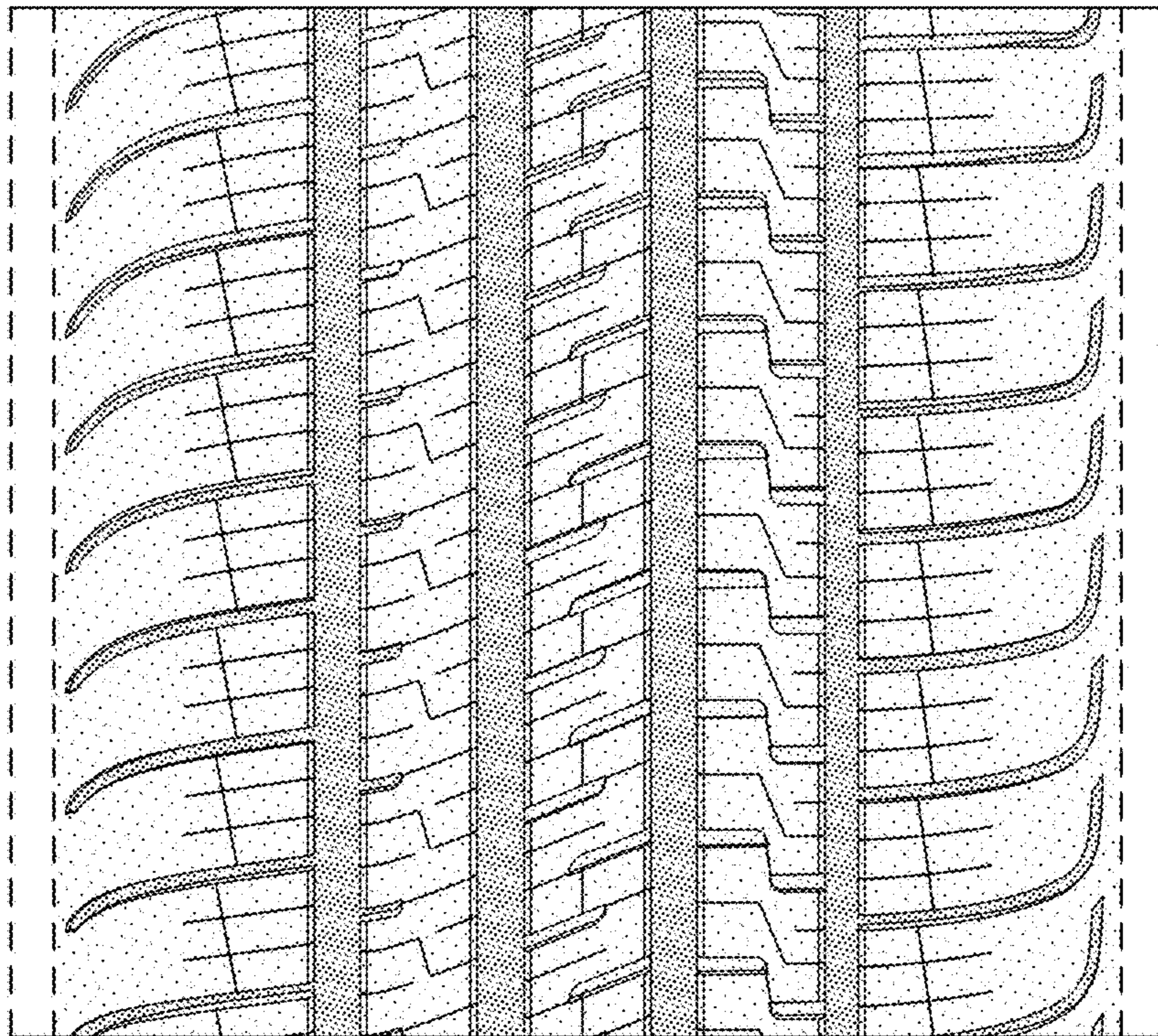


FIG - 6



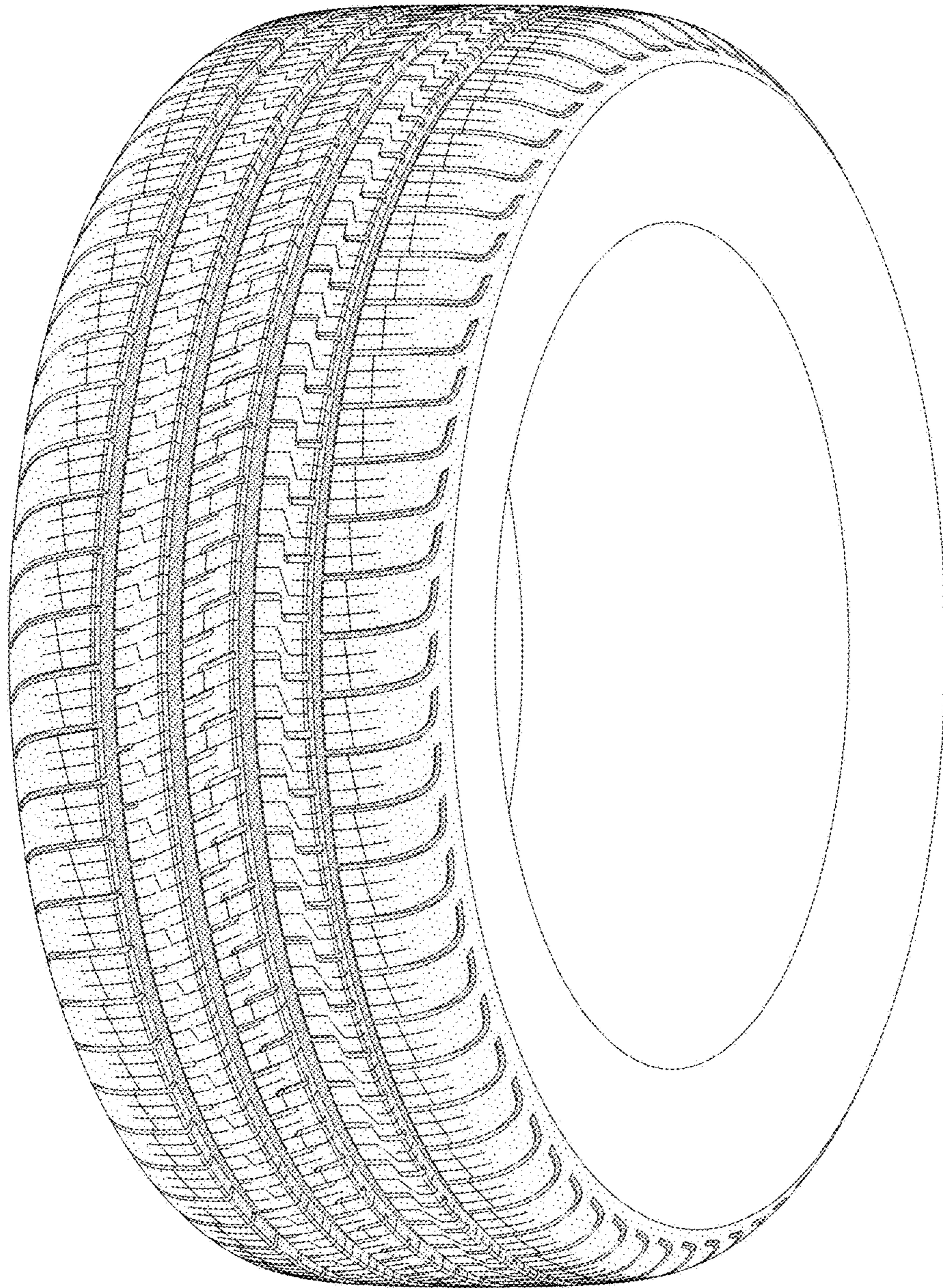


FIG - 7

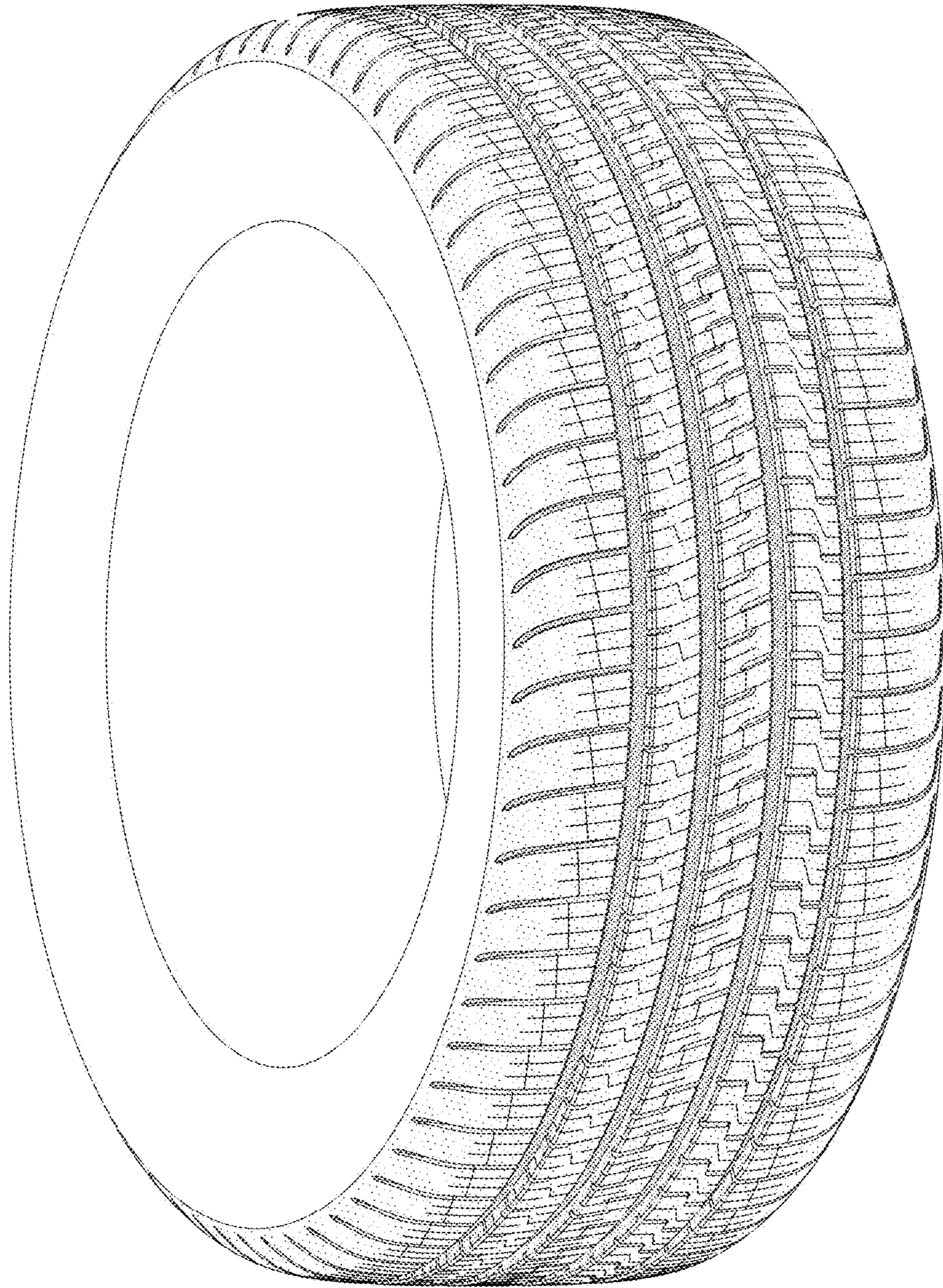


FIG - 8

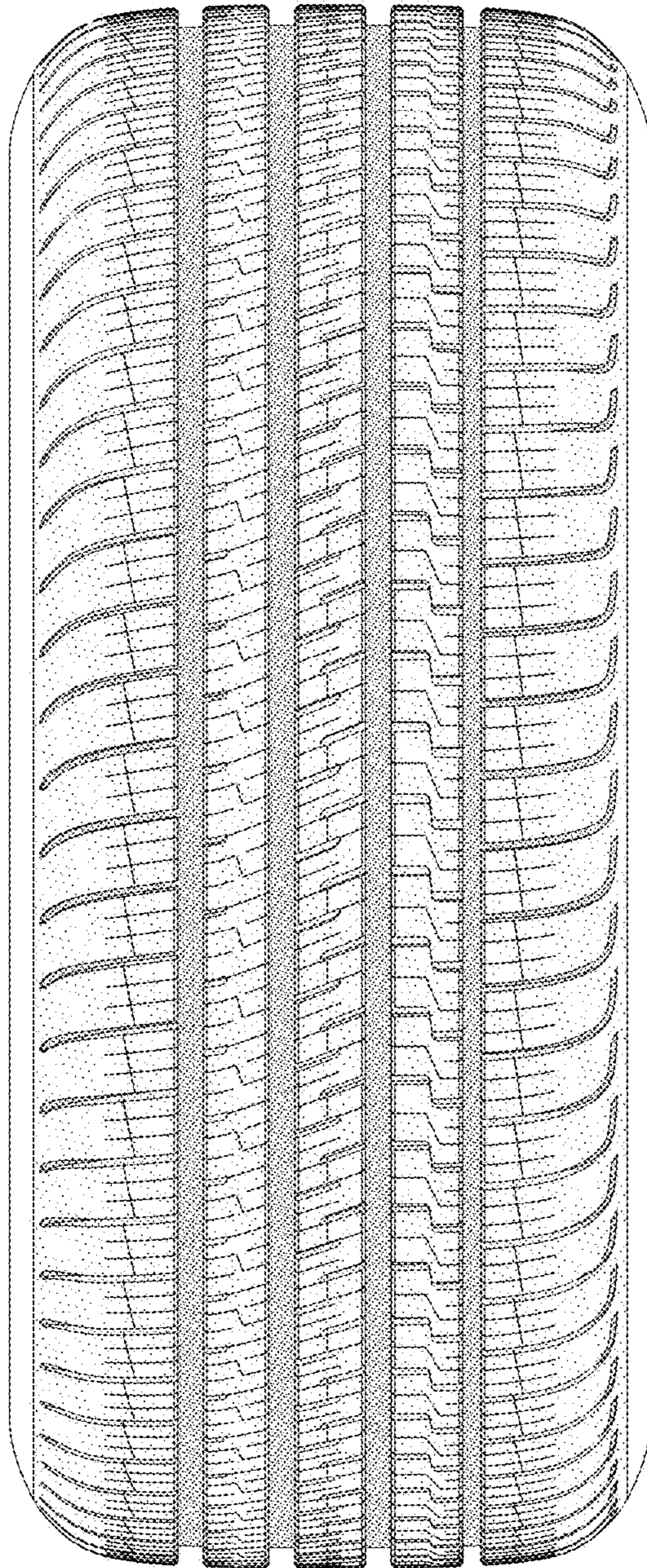


FIG - 9