



US00D869381S

(12) **United States Design Patent**
Speziari et al.

(10) **Patent No.:** **US D869,381 S**

(45) **Date of Patent:** **** Dec. 10, 2019**

- (54) **TIRE FOR VEHICLE WHEELS**
- (71) Applicant: **PIRELLI TYRE S.P.A.**, Milan (IT)
- (72) Inventors: **Diego Speziari**, Milan (IT); **Stefano Montesello**, Milan (IT); **Vito Bello**, Milan (IT)
- (73) Assignee: **PIRELLI TYRE S.p.A.**, Milan (IT)
- (**) Term: **15 Years**
- (21) Appl. No.: **29/648,139**
- (22) Filed: **May 18, 2018**

(30) **Foreign Application Priority Data**

Dec. 1, 2017 (EM) 004531010

(51) **LOC (12) Cl.** **12-15**

(52) **U.S. Cl.**
USPC **D12/521**

(58) **Field of Classification Search**
USPC D12/500-532, 604
CPC Y10T 152/10027; B60C 1/0016; B60C 11/0306; B60C 11/0302; B60C 3/06; B60C 9/17

See application file for complete search history.

(56) **References Cited**

U.S. PATENT DOCUMENTS

- D655,239 S * 3/2012 Zhao D12/521
- D692,822 S * 11/2013 Nakamura D12/521
- D737,751 S * 9/2015 Bourel D12/521
- D758,285 S * 6/2016 Wen D12/523
- D786,776 S * 5/2017 Aoki D12/521

- D789,870 S * 6/2017 Dixon D12/521
- D792,328 S * 7/2017 Takei D12/532
- D795,164 S * 8/2017 Philipot D12/521
- D803,148 S * 11/2017 Hayashi D12/521

* cited by examiner

Primary Examiner — Lakiya G Rogers

Assistant Examiner — John A Voytek

(74) *Attorney, Agent, or Firm* — Finnegan, Henderson, Farabow, Garrett & Dunner, L.L.P.

(57) **CLAIM**

The ornamental design for a tire for vehicle wheels, as shown and described.

DESCRIPTION

FIG. 1 is a left, perspective view of a tire for vehicle wheels, showing our new design;

FIG. 2 is a left side elevation view of the tire;

FIG. 3 is a front elevation view thereof, it being understood that the tread pattern is repeated throughout the circumference of the tire;

FIG. 4 is an enlarged front elevation view of FIG. 2, showing a portion thereof;

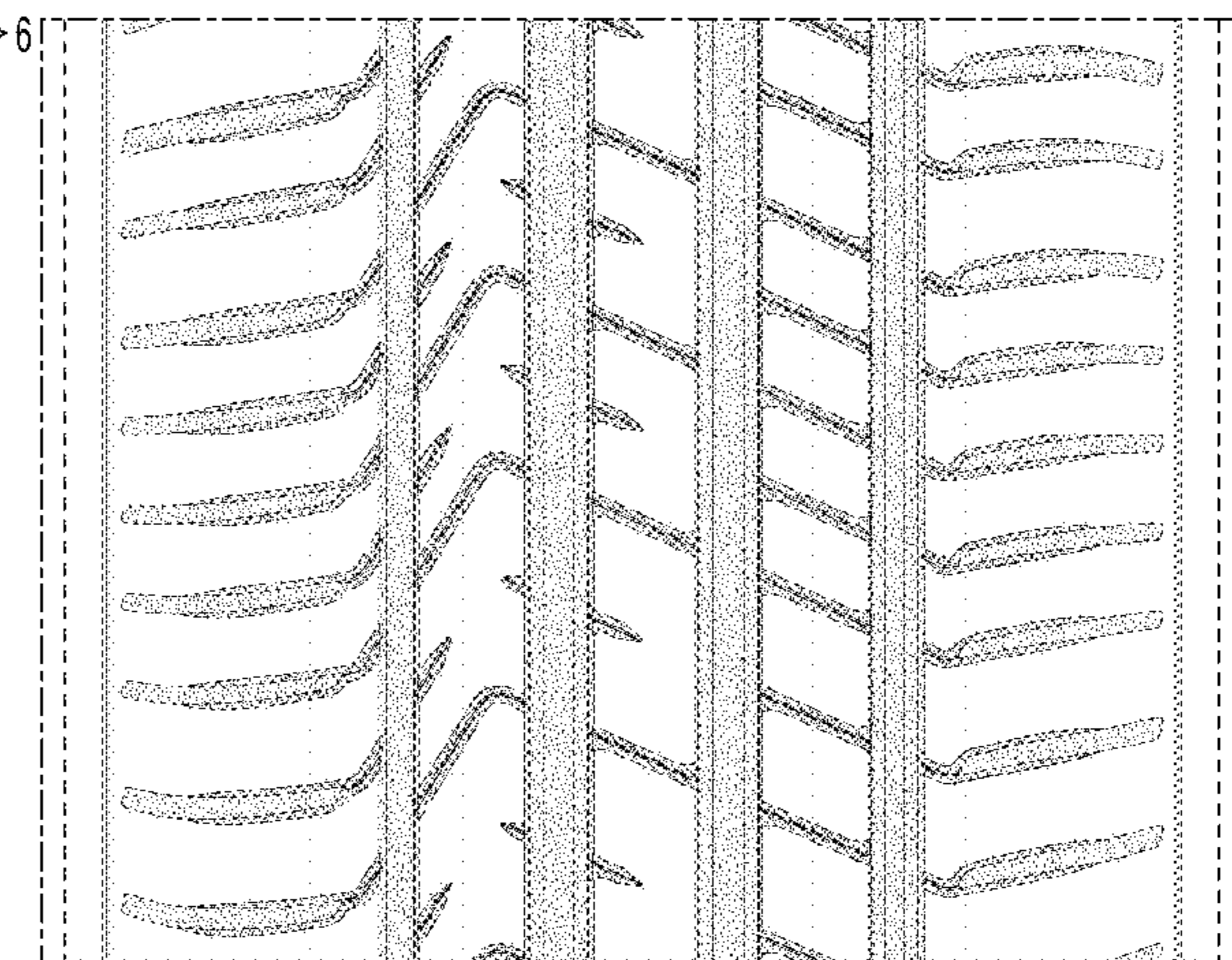
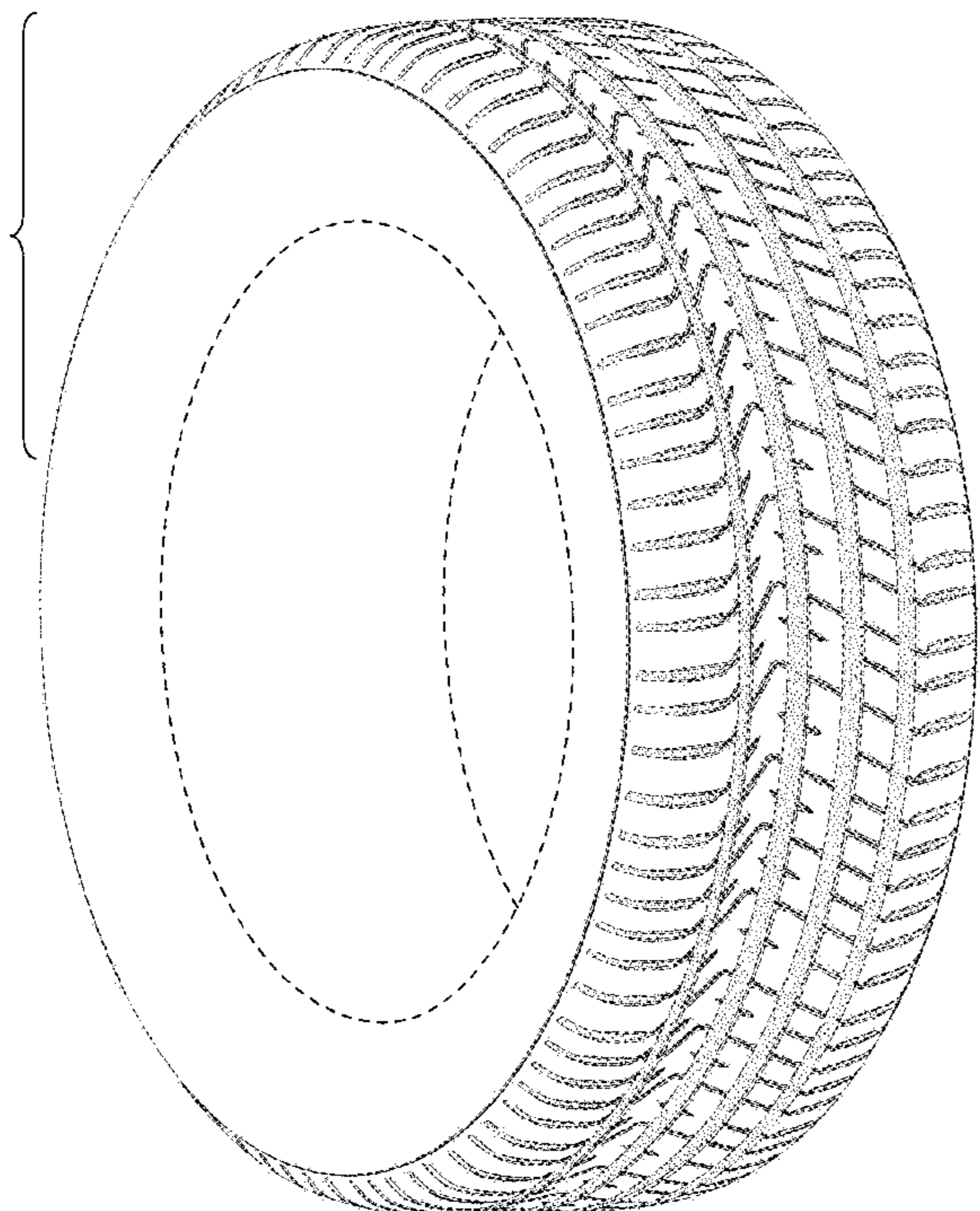
FIG. 5 is a right side elevation view of the tire;

FIG. 6 is an enlarged left, perspective view of FIG. 1, showing a portion thereof; and,

FIG. 7 is an enlarged left, perspective view of FIG. 6, showing a portion thereof.

The portions of the tire depicted in broken dashed lines of even length form no part of the claimed design. The broken dashed lines of uneven length depict a border of an enlarged portion of the tire and form no part of the claimed design.

1 Claim, 7 Drawing Sheets



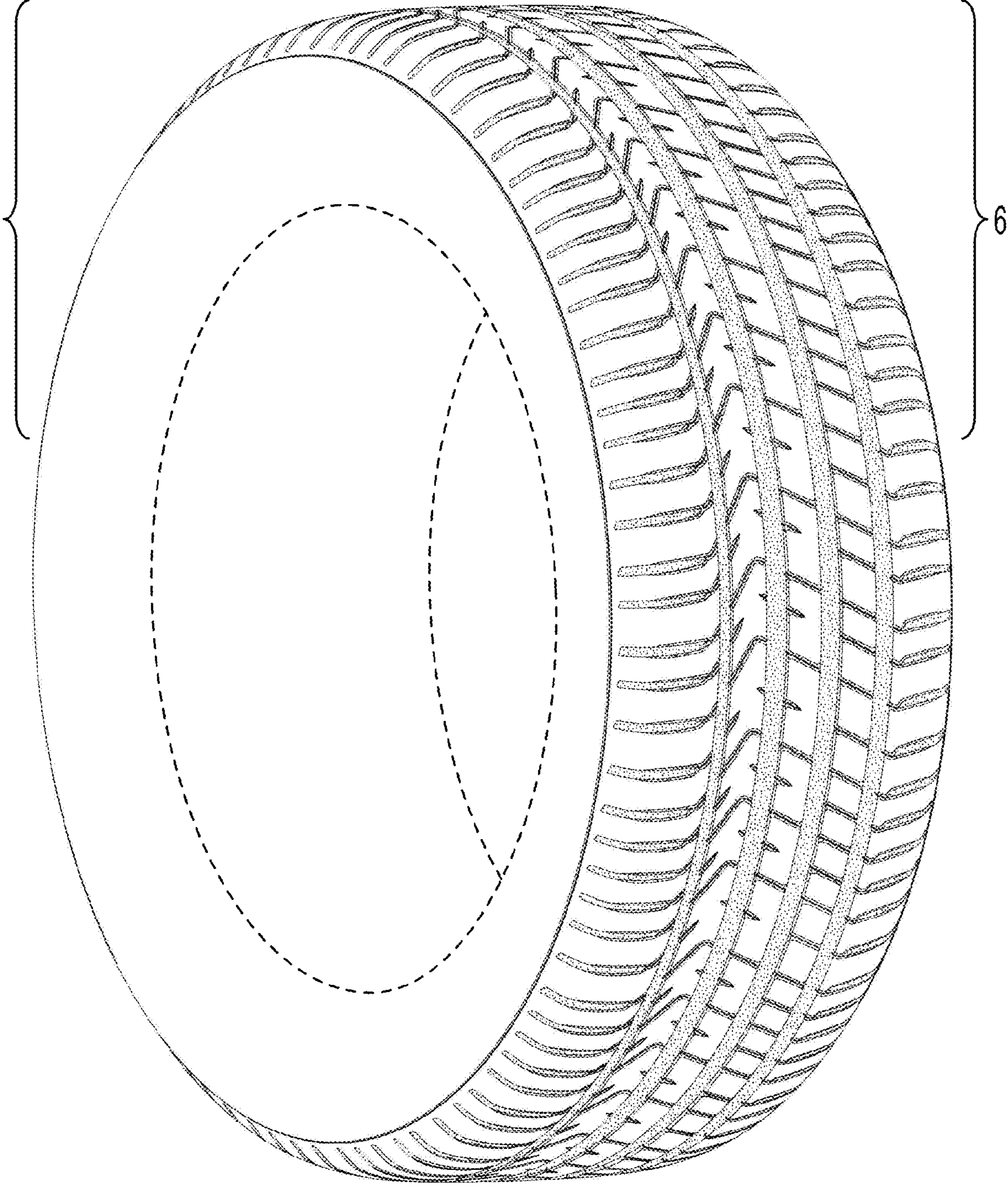


FIG. 1

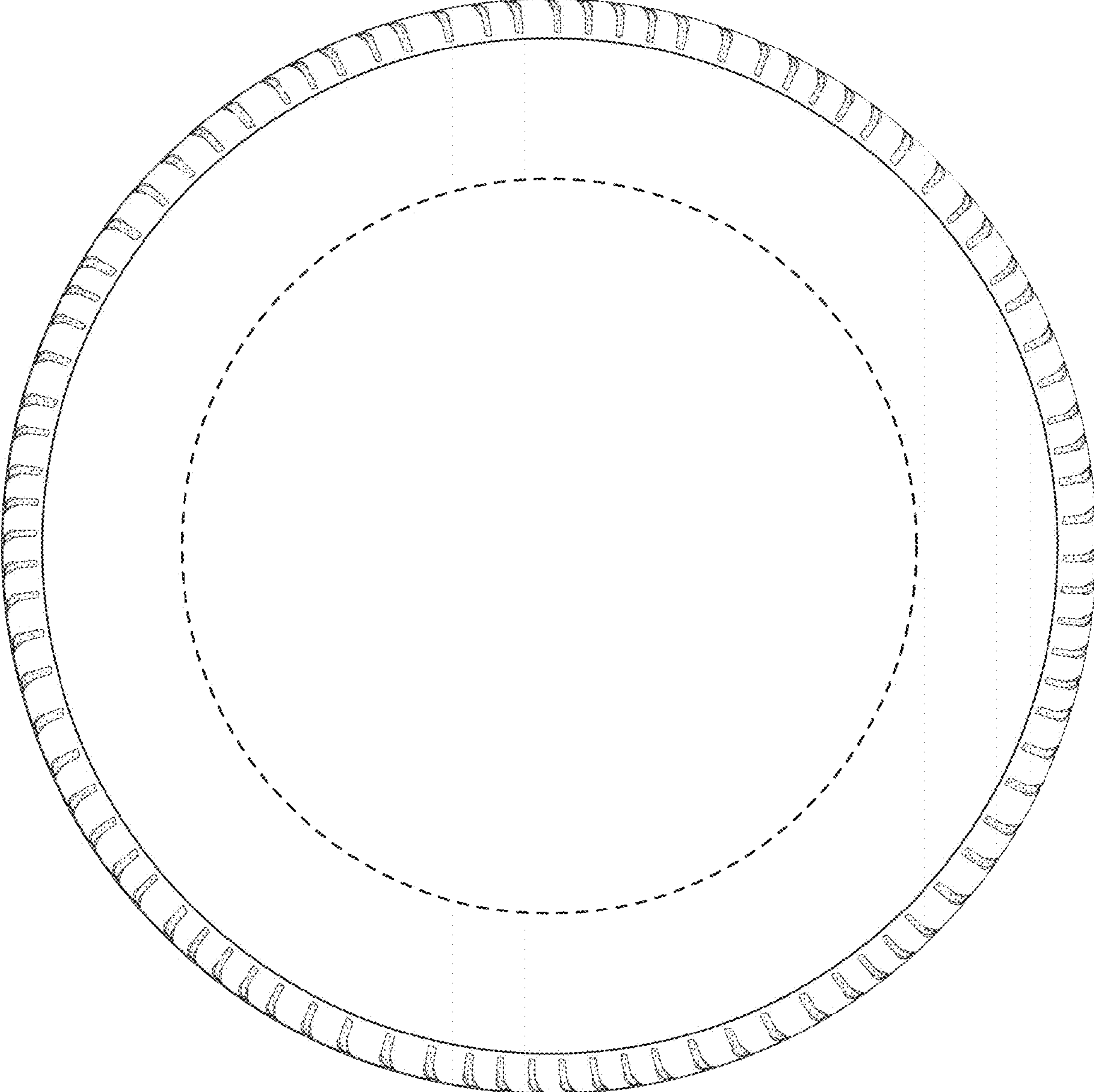


FIG. 2

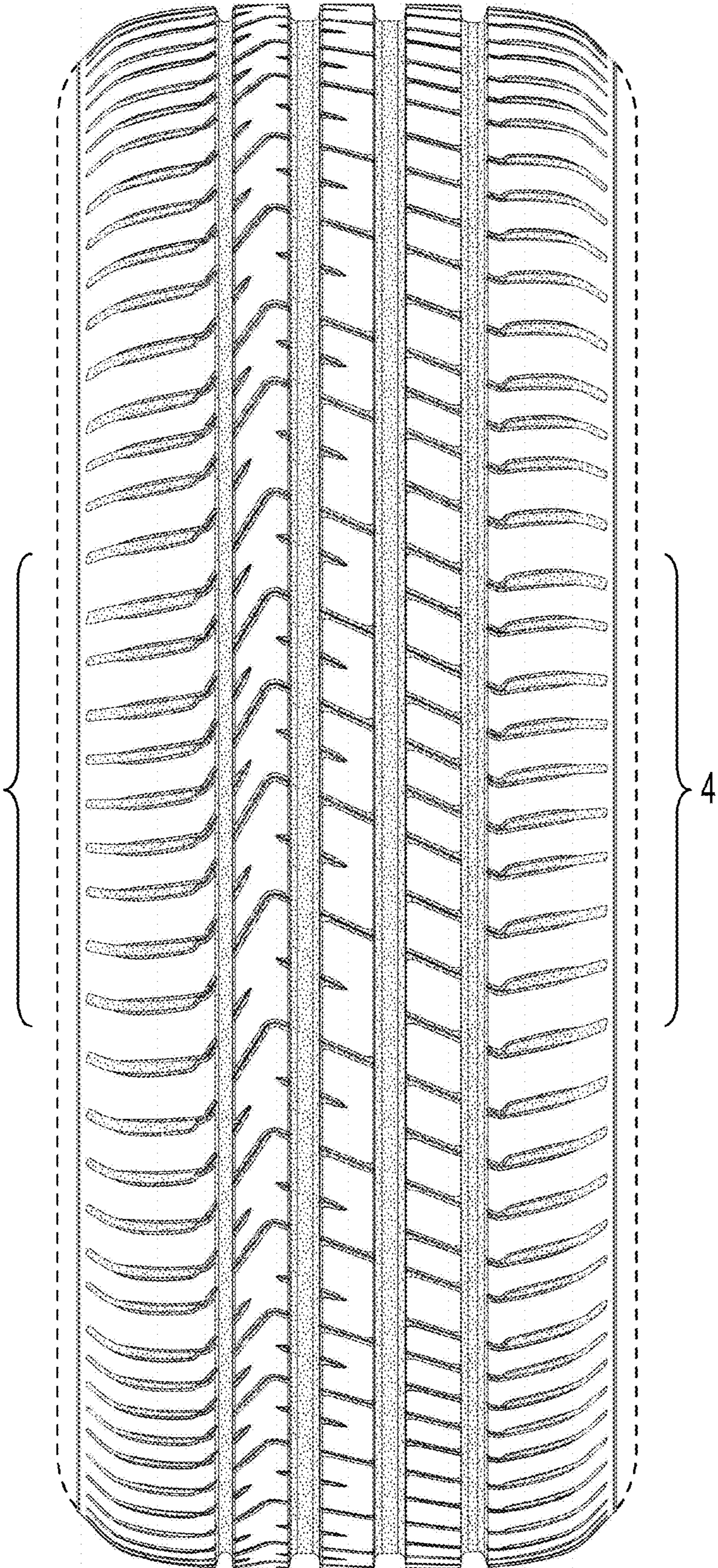


FIG. 3

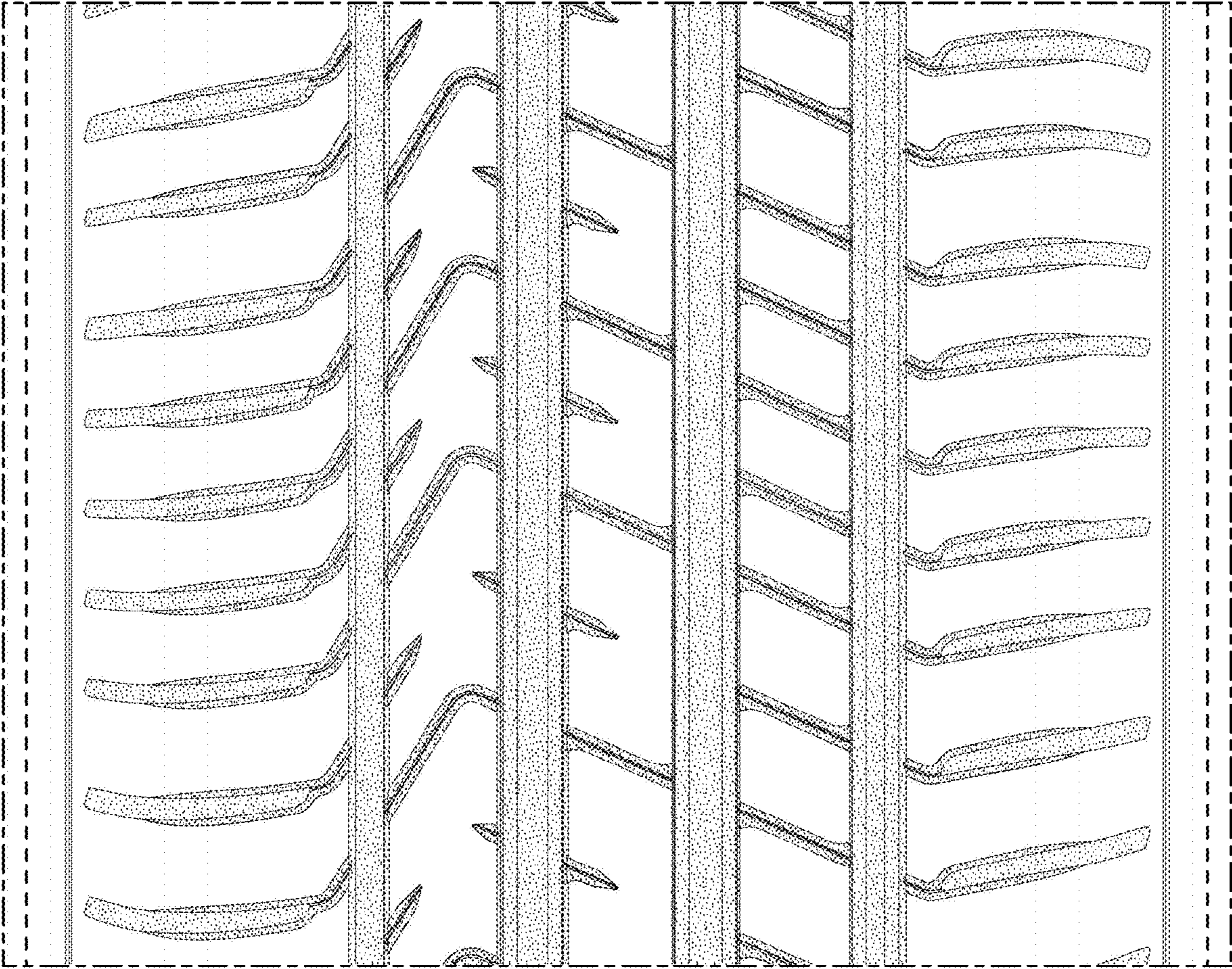


FIG. 4

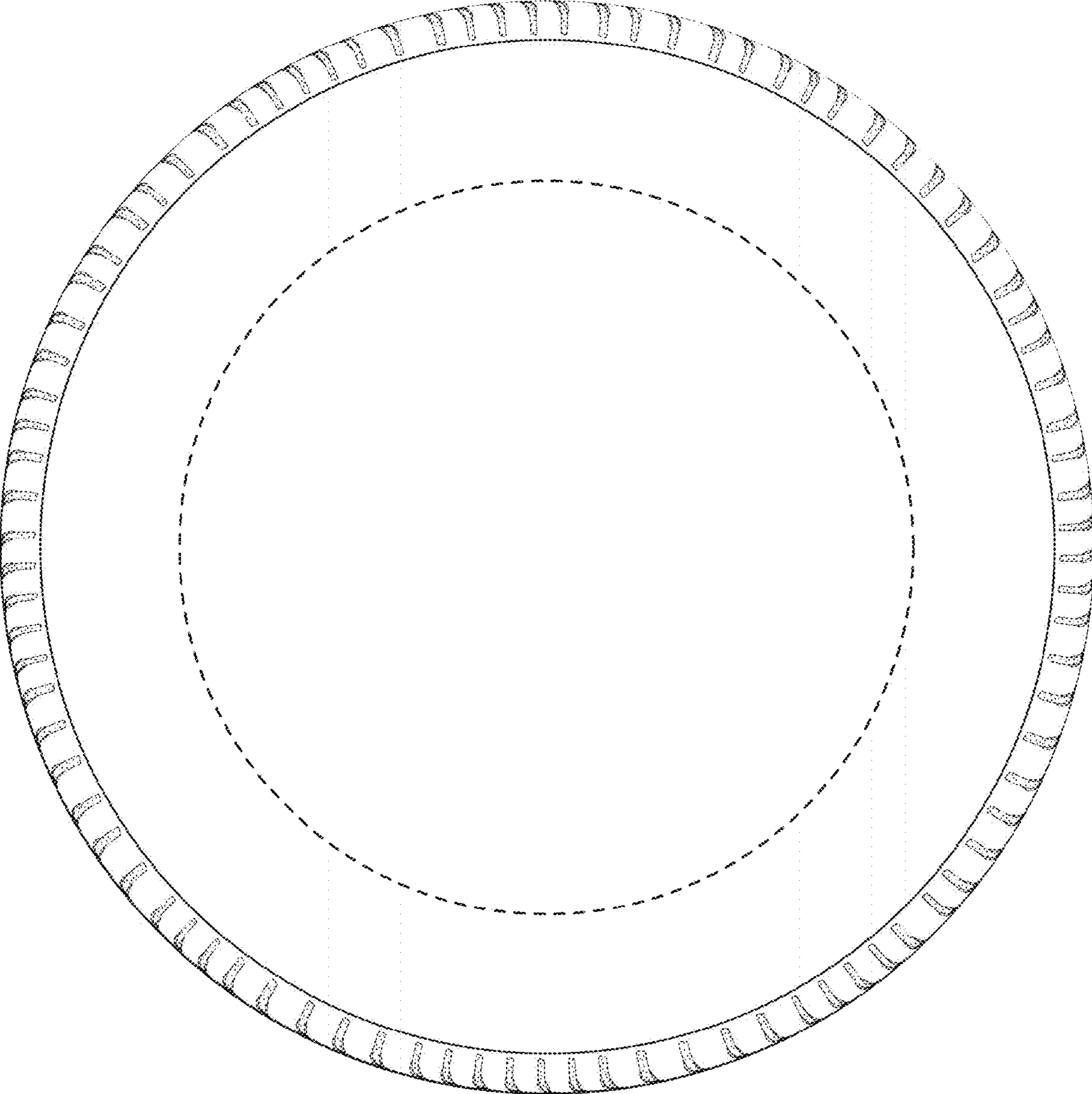


FIG. 5

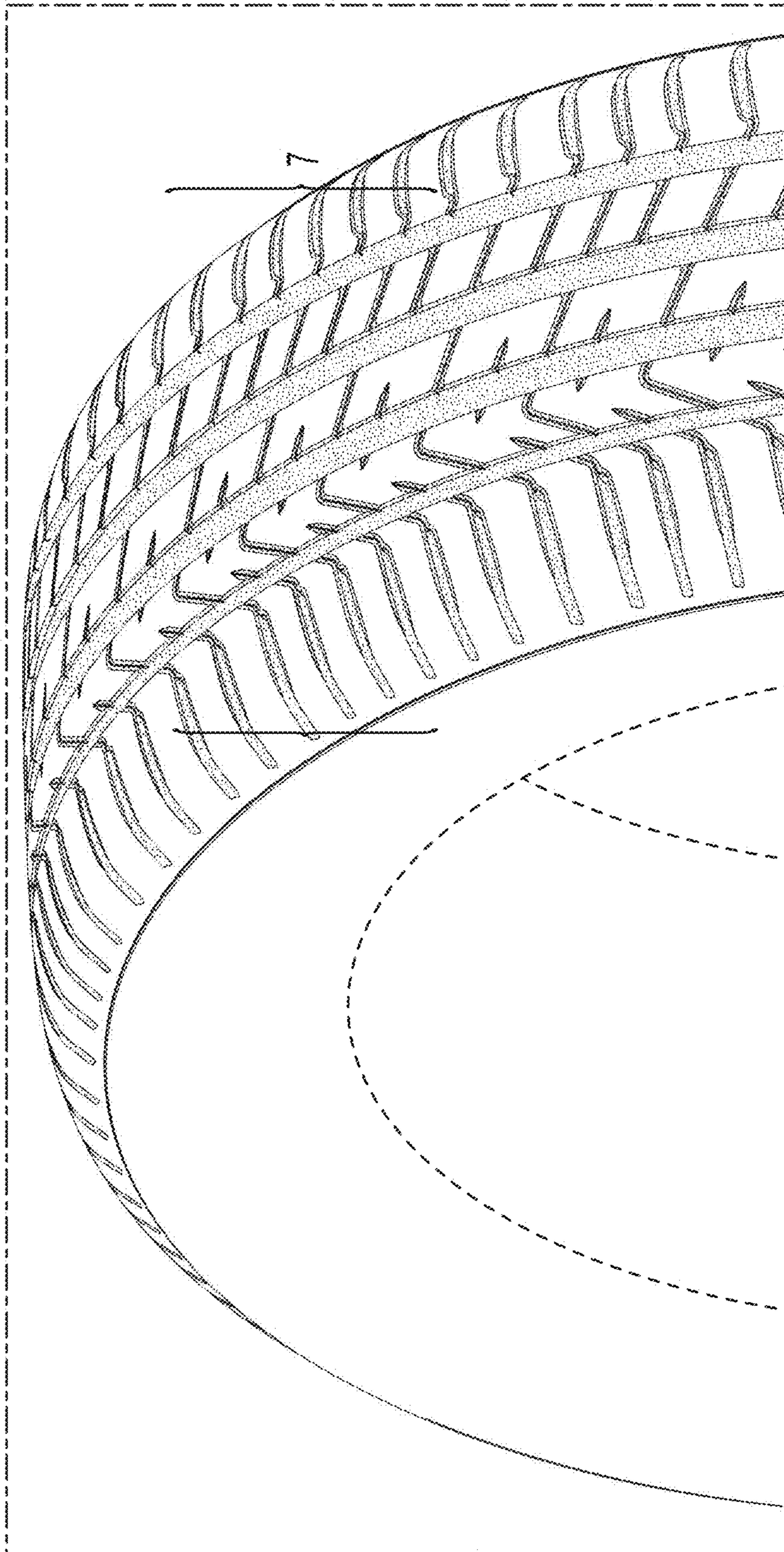


FIG. 6

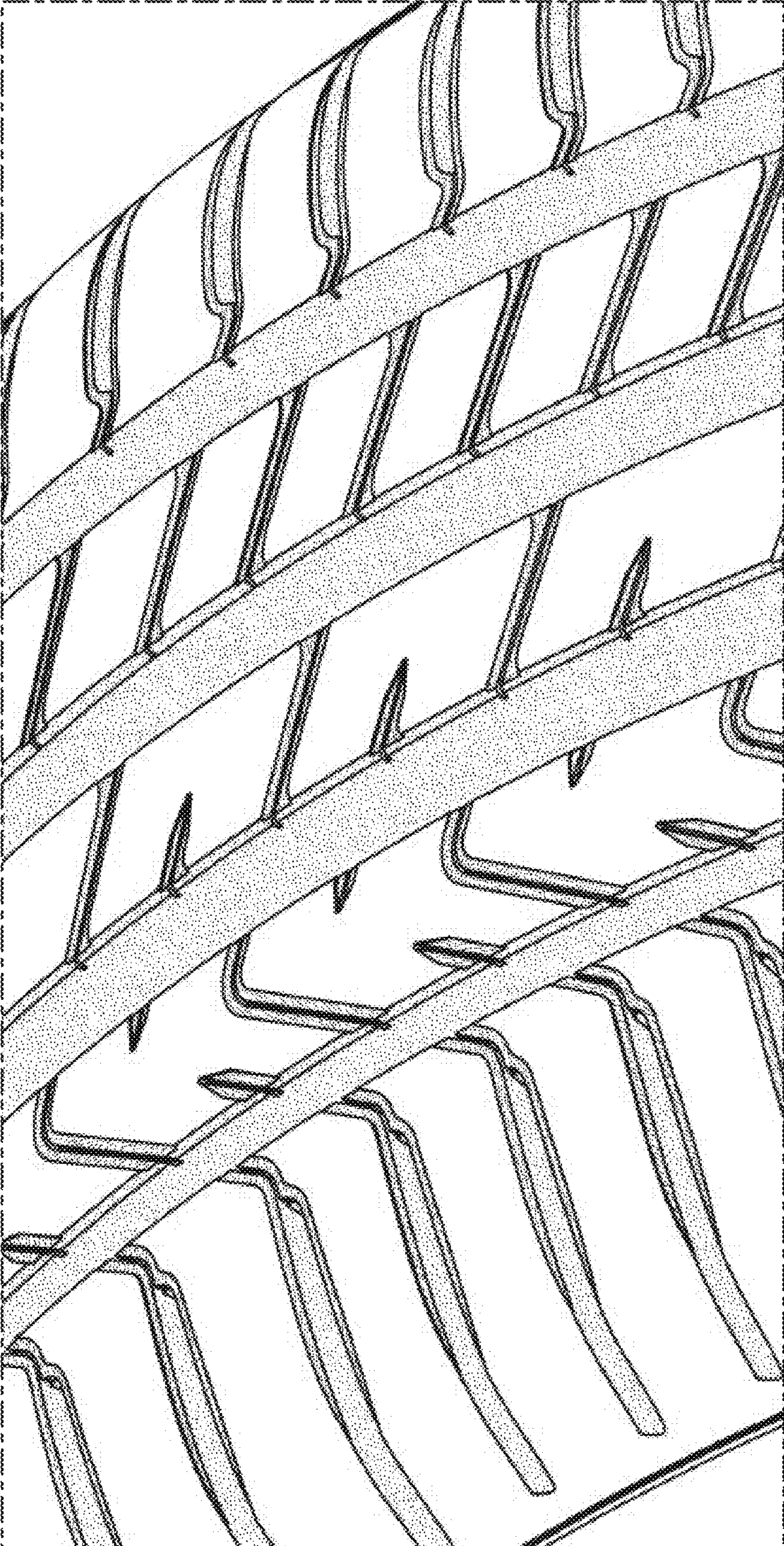


FIG. 7