



US00D869379S

(12) **United States Design Patent**
Eriksson et al.

(10) **Patent No.:** **US D869,379 S**

(45) **Date of Patent:** **** Dec. 10, 2019**

(54) **LOAD BAR**

D859,283 S * 9/2019 Adler D12/412

(71) Applicant: **Thule Sweden AB**, Hillerstorp (SE)

* cited by examiner

(72) Inventors: **Henrik Eriksson**, Jönköping (SE);
Johan Larsson, Jönköping (SE)

Primary Examiner — Abraham Bahta

(73) Assignee: **Thule Sweden AB**, Hillerstorp (SE)

(74) *Attorney, Agent, or Firm* — Sterne, Kessler,
Goldstein & Fox P.L.L.C.

(**) Term: **15 Years**

(21) Appl. No.: **29/653,537**

(22) Filed: **Jun. 15, 2018**

(51) **LOC (12) Cl.** **16-16**

(52) **U.S. Cl.**

USPC **D12/414**

(58) **Field of Classification Search**

USPC D12/401–414, 552, 561; 293/37.1, 3,
293/100; 224/309–310, 315–316,
224/323–329, 400; D6/552, 513, 567;
D3/304–306; 280/760–762, 848, 727,
280/769; D25/38.1, 43, 119, 121–124

CPC B60R 9/00; B60R 9/02; B60R 9/04; B60R
9/08; B60R 9/042; B60R 9/045; B60R
9/048; B60R 9/052; B60R 9/055; B60R
9/058; B60R 9/06; B60R 9/065; B60R
9/10; B60R 9/12

See application file for complete search history.

(56) **References Cited**

U.S. PATENT DOCUMENTS

D691,550 S 10/2013 Moeller
D855,551 S * 8/2019 Shen D12/412
D856,901 S * 8/2019 Elliott D12/412

(57) **CLAIM**

The ornamental design for a load bar, as shown and described.

DESCRIPTION

FIG. 1 is a top front perspective view of a load bar showing the claimed design;

FIG. 2 is a front view thereof;

FIG. 3 is a rear view thereof;

FIG. 4 is a left side view thereof;

FIG. 5 is a right side view thereof;

FIG. 6 is a top view thereof;

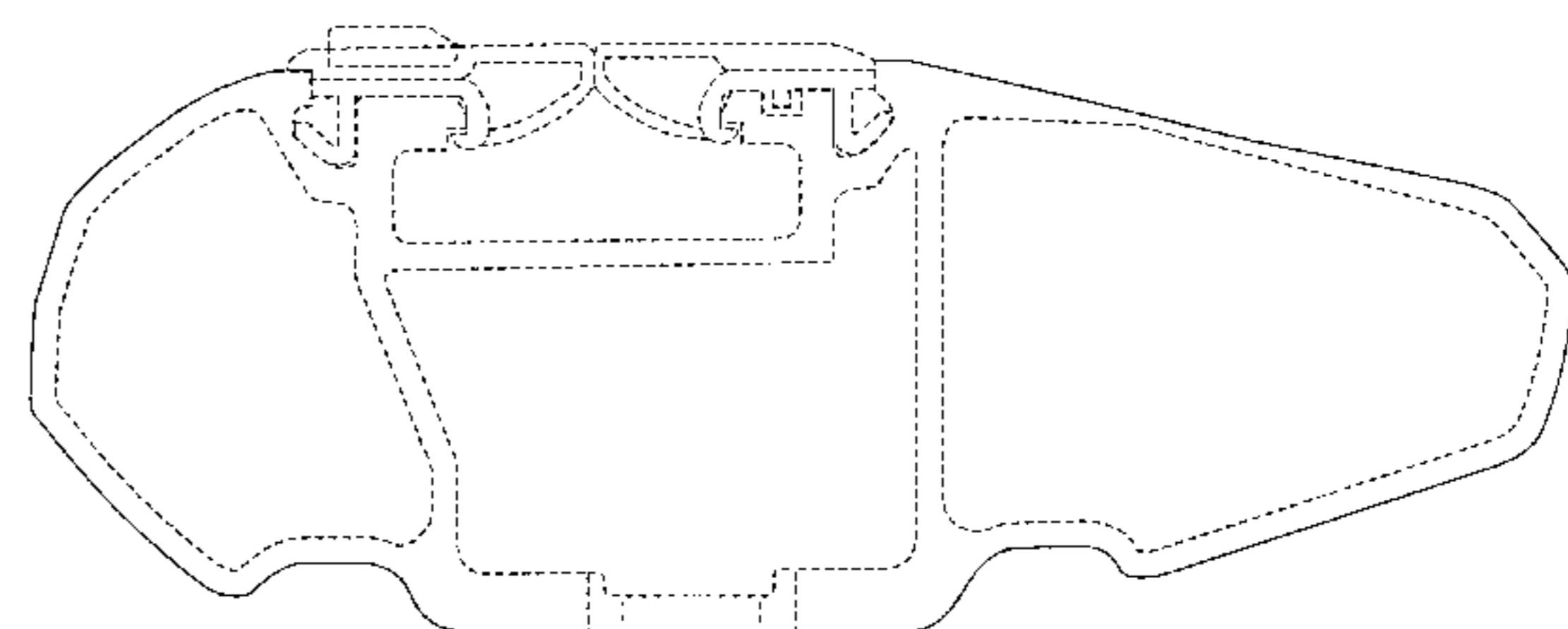
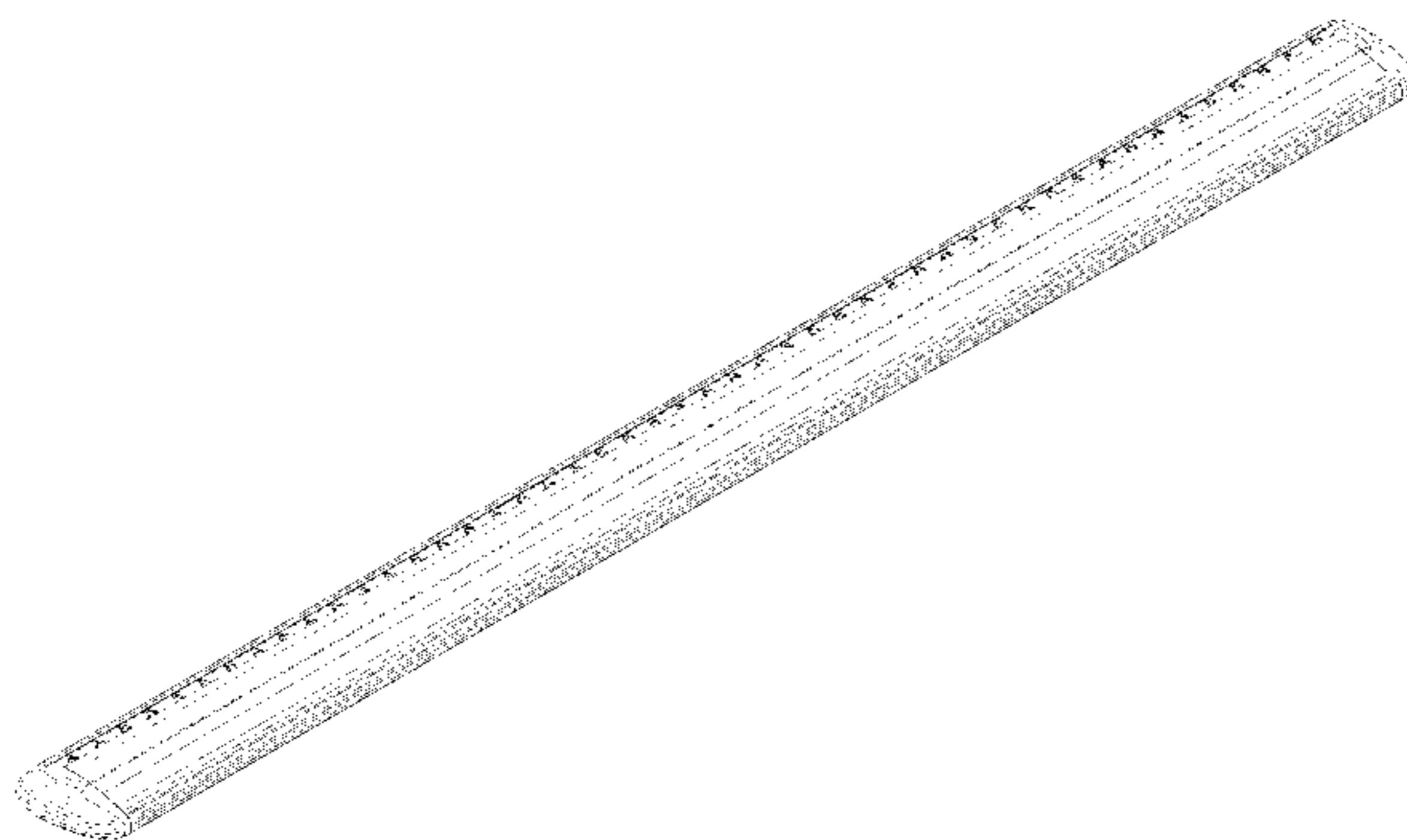
FIG. 7 is a bottom view thereof;

FIG. 8 is a bottom perspective view thereof; and,

FIG. 9 is a side view of the load bar of FIG. 1 with end cap and bottom scale removed.

The broken lines in the figures show portions of the load bar that form no part of the claimed design.

1 Claim, 6 Drawing Sheets



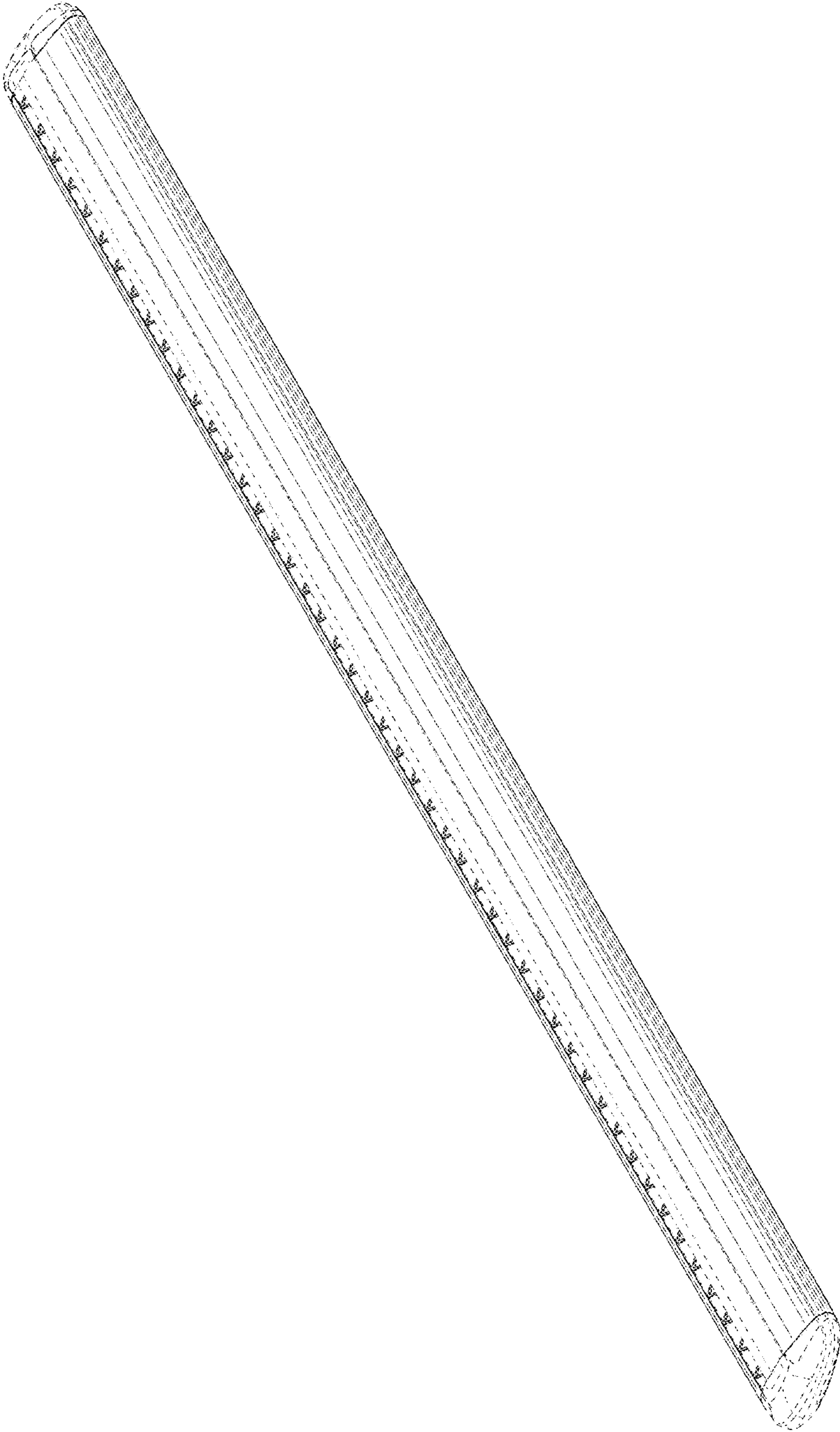


FIG. 1



FIG. 2



FIG. 3



FIG. 5



FIG. 4

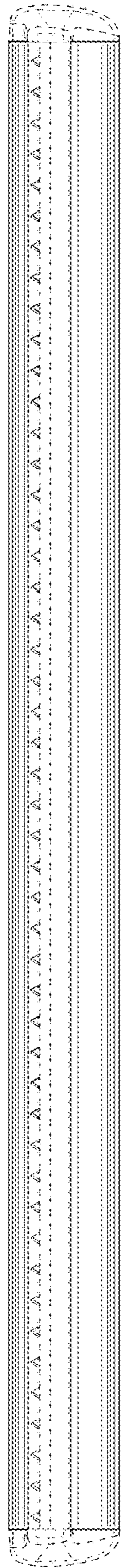


FIG. 6

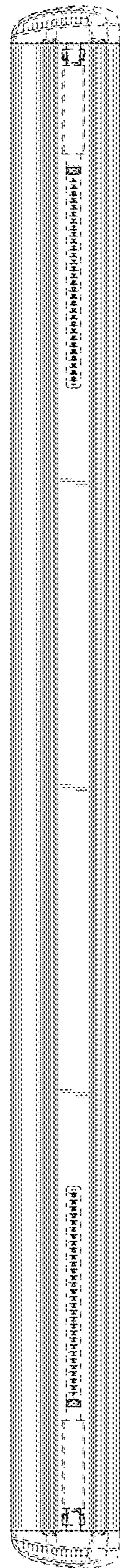


FIG. 7

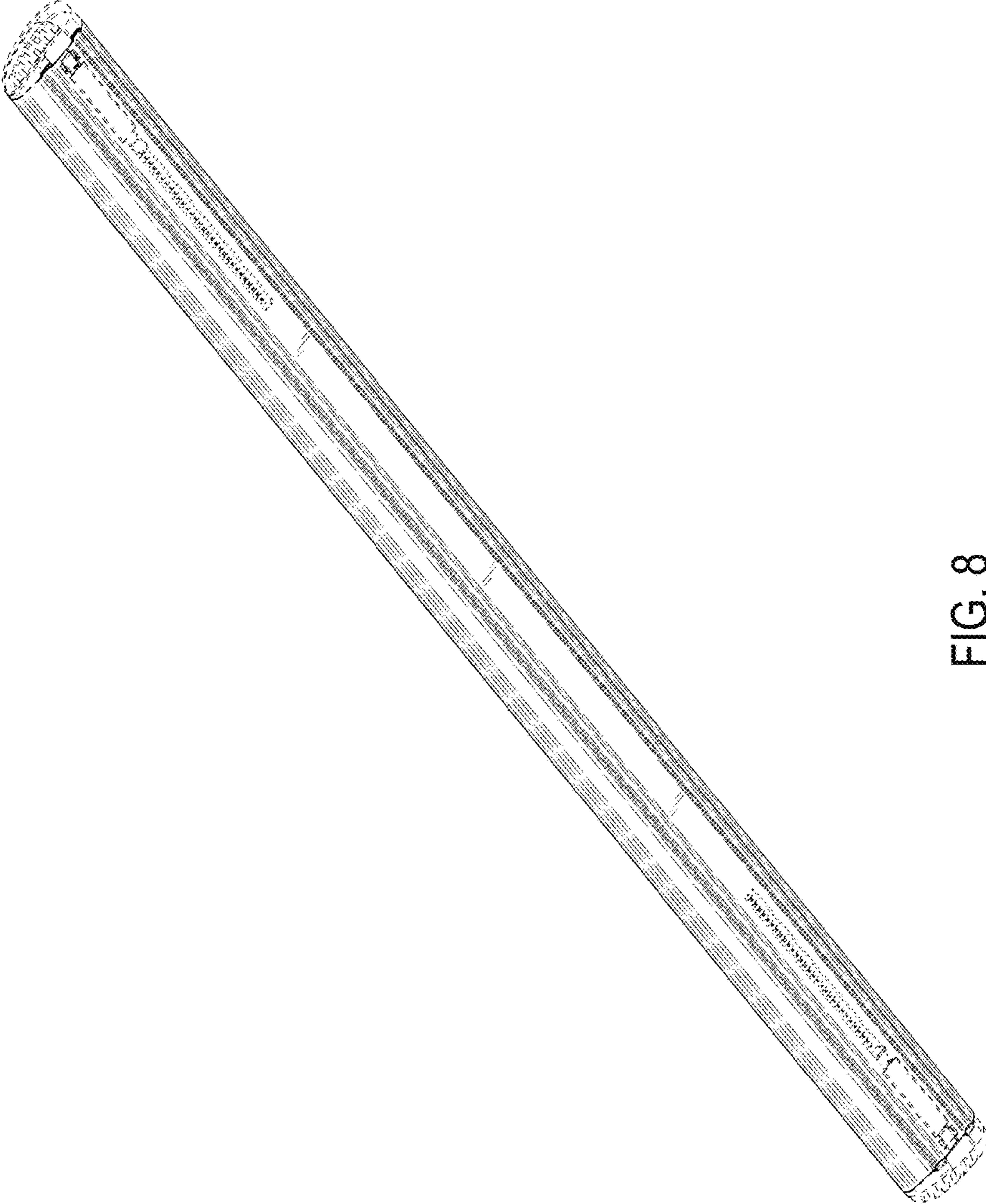


FIG. 8

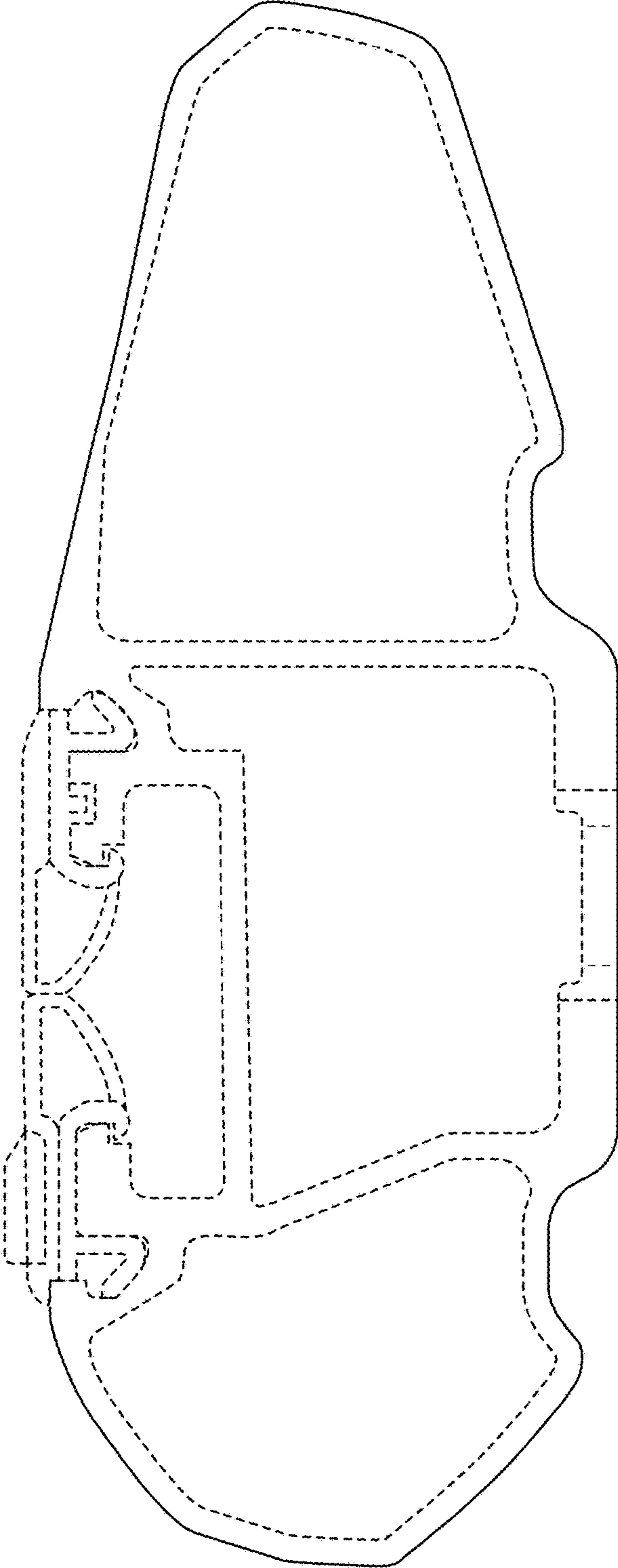


FIG. 9