



US00D869377S

(12) **United States Design Patent**
Smith et al.

(10) **Patent No.:** **US D869,377 S**

(45) **Date of Patent:** **** Dec. 10, 2019**

(54) **VEHICLE ROOF WINDOW**

(71) Applicants: **Jeffrey P. Smith**, Prosper, TX (US);
Victor Garcia, Aubrey, TX (US);
Bradley D. Powell, Corinth, TX (US)

(72) Inventors: **Jeffrey P. Smith**, Prosper, TX (US);
Victor Garcia, Aubrey, TX (US);
Bradley D. Powell, Corinth, TX (US)

(73) Assignee: **PACCAR Inc**, Bellevue, WA (US)

(**) Term: **15 Years**

(21) Appl. No.: **29/622,493**

(22) Filed: **Oct. 17, 2017**

(51) **LOC (12) Cl.** **12-16**

(52) **U.S. Cl.**
USPC **D12/404**

(58) **Field of Classification Search**
USPC D12/182, 183, 401-412, 418, 195, 191;
296/97.1; 150/168; 160/DIG. 2-DIG. 3;
224/311-312
CPC B60J 1/00; B60J 1/20; B60J 1/2008; B60J
1/2005; B60J 10/70
See application file for complete search history.

(56) **References Cited**

U.S. PATENT DOCUMENTS

D244,182 S *	5/1977	Skidmore	D12/404
D265,983 S	8/1982	Sullivan et al.		
D268,021 S	2/1983	Wiley, Jr. et al.		
4,401,338 A	8/1983	Caldwell		
4,408,792 A	10/1983	Sullivan		
D271,191 S	11/1983	Amprim et al.		
D289,891 S	5/1987	Bielby		
D290,455 S	6/1987	Konen et al.		
D307,731 S	5/1990	Kerney et al.		
D308,032 S	5/1990	Fingerle		
4,925,235 A	5/1990	Kerney et al.		
D311,506 S	10/1990	Marlowe et al.		

D312,805 S 12/1990 Marlowe et al.
D313,966 S 1/1991 Marlowe et al.
D314,163 S 1/1991 Harris et al.

(Continued)

OTHER PUBLICATIONS

“AeroCab,” Kenworth Truck Company, Kirkland, Washington, as early as 1995, 3-page brochure.

(Continued)

Primary Examiner — Abraham Bahta

(74) *Attorney, Agent, or Firm* — Christensen O’Connor Johnson Kindness PLLC

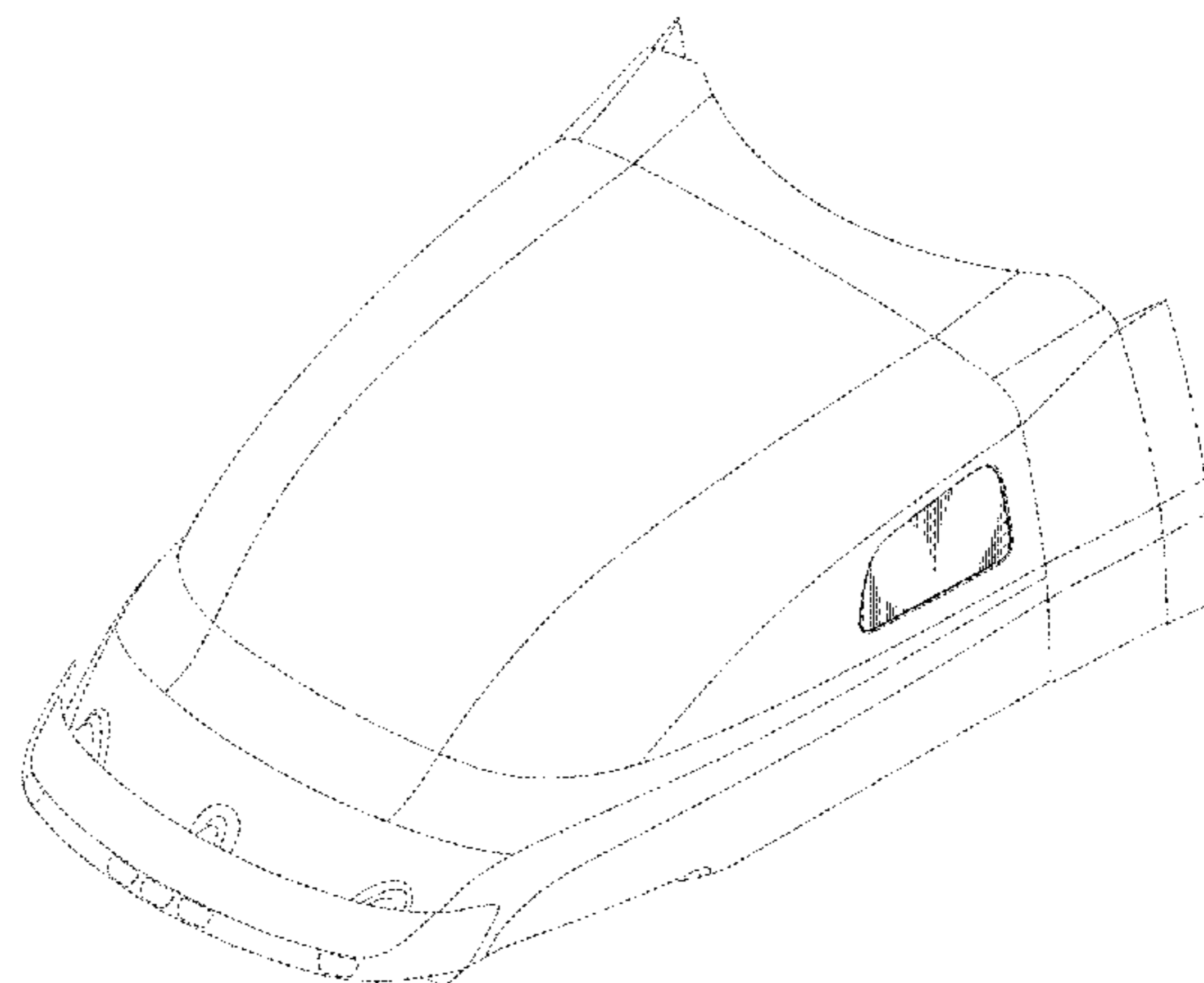
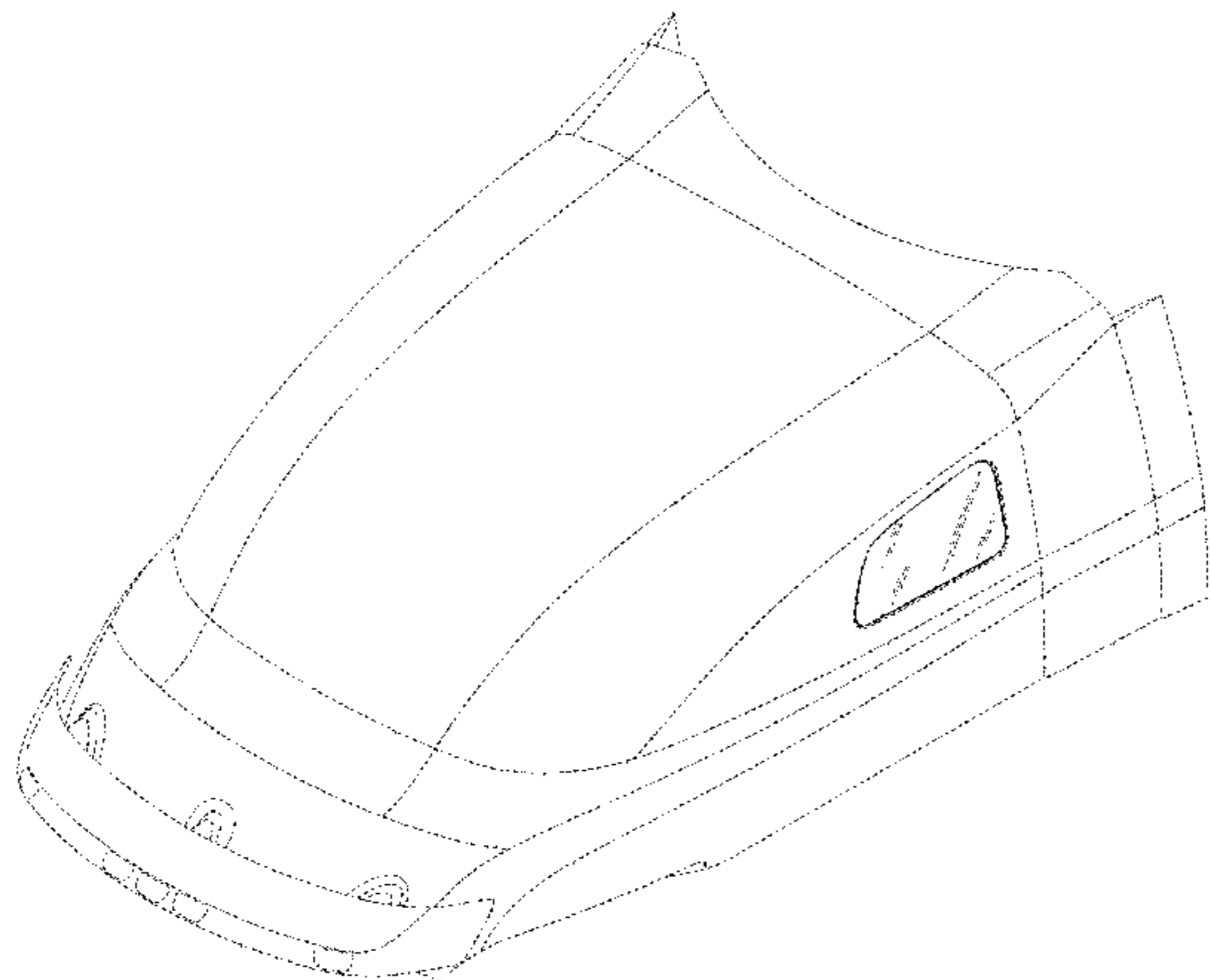
(57) **CLAIM**

The ornamental design for a vehicle roof window, as shown and described.

DESCRIPTION

FIG. 1 is a first perspective environmental view of the vehicle roof window, wherein the window is translucent or transparent, showing our design;
FIG. 2 is a front perspective view thereof;
FIG. 3 is a left side elevational view thereof;
FIG. 4 is a top plan view thereof;
FIG. 5 is a front elevational view thereof;
FIG. 6 is a bottom plan view thereof;
FIG. 7 is a right side elevational view thereof;
FIG. 8 is a second environmental view of the vehicle roof window, wherein the vehicle roof window is opaque;
FIG. 9 is a front perspective view thereof;
FIG. 10 is a left side-elevational view thereof;
FIG. 11 is a top plan view thereof;
FIG. 12 is a front elevational view thereof;
FIG. 13 is a bottom plan view thereof; and,
FIG. 14 is a right side elevational view thereof.
The dashed broken lines in the drawings show portions of the vehicle roof window that form no part of the claimed design.

1 Claim, 6 Drawing Sheets



(56)

References Cited

U.S. PATENT DOCUMENTS

4,991,906 A 2/1991 Fingerle
 D319,036 S 8/1991 Fingerle
 D319,807 S 9/1991 Simons et al.
 D320,582 S 10/1991 Fingerle
 D320,583 S 10/1991 Simons et al.
 5,054,799 A 10/1991 Fingerle
 D325,551 S * 4/1992 Quiniones D12/404
 D329,214 S 9/1992 Marlowe et al.
 D335,855 S 5/1993 Callaway et al.
 5,249,937 A 10/1993 Aubert
 D341,563 S 11/1993 Niemi
 D343,819 S 2/1994 Meryman et al.
 D356,770 S 3/1995 Almen
 D374,418 S 10/1996 Griffin
 D375,925 S 11/1996 Griffin
 D381,949 S 8/1997 Barrett, Jr. et al.
 D384,914 S 10/1997 Bingaman
 D385,223 S 10/1997 Marlowe et al.
 D391,524 S 3/1998 Anderson et al.
 D395,269 S 6/1998 McCauley, Jr.
 D395,848 S 7/1998 Meryman et al.
 D399,465 S 10/1998 Saleen
 D399,791 S 10/1998 Hellhake et al.
 D399,792 S 10/1998 Hellhake et al.
 D400,158 S 10/1998 Meryman et al.
 D403,999 S 1/1999 Lund
 D411,140 S 6/1999 Meryman et al.
 D422,957 S 4/2000 Damon et al.
 D423,990 S 5/2000 Meryman et al.
 D424,011 S 5/2000 Morris
 D424,489 S 5/2000 Damon et al.
 D424,999 S 5/2000 Carlson et al.
 D431,511 S 10/2000 Damon et al.
 D433,365 S 11/2000 Beigel
 D433,967 S 11/2000 Delashaw et al.
 D433,981 S 11/2000 Davis et al.
 D434,347 S 11/2000 Damon et al.
 D434,348 S 11/2000 Delashaw et al.
 D435,237 S 12/2000 Damon et al.
 D436,894 S 1/2001 Barraclough et al.
 D437,258 S 2/2001 Meryman et al.
 D460,023 S 7/2002 Beigel
 D465,749 S 11/2002 Beigel
 D475,657 S 6/2003 Wong et al.
 D476,929 S 7/2003 Dozier et al.
 D490,103 S * 5/2004 Rangel D19/10
 D496,620 S 9/2004 Perfetti et al.
 D499,679 S 12/2004 Perfetti et al.
 6,986,544 B2 1/2006 Wood
 D519,891 S 5/2006 Lai
 D522,426 S 6/2006 Beigel et al.
 D522,945 S 6/2006 Beigel et al.
 D525,574 S 7/2006 Conway et al.
 D531,946 S 11/2006 Angelo et al.
 D531,948 S 11/2006 Angelo et al.
 D532,731 S 11/2006 Angelo et al.
 D535,597 S 1/2007 Herpel
 D558,643 S 1/2008 Beigel et al.
 D563,854 S 3/2008 Stuart
 D567,156 S 4/2008 Hutchins
 D597,908 S 8/2009 Raghavendran et al.
 D603,315 S 11/2009 Gamou
 D607,359 S 1/2010 Mammoto et al.
 D613,224 S 4/2010 Beigel et al.
 D633,015 S 2/2011 Peltola et al.
 D666,541 S 9/2012 Stimel, Jr.
 D686,123 S 7/2013 Peltola et al.
 D687,359 S 8/2013 Peltola et al.
 D699,648 S 2/2014 Sancer et al.
 D707,608 S 6/2014 Smith
 D709,007 S 7/2014 Henry et al.
 D709,008 S 7/2014 Brzustowicz et al.
 D709,009 S 7/2014 Brzustowicz et al.
 D710,771 S 8/2014 Hovind et al.
 D722,544 S 2/2015 Ito et al.

D769,789 S * 10/2016 Golden D12/404
 D793,945 S * 8/2017 Short D12/404
 D845,387 S * 4/2019 Mills D19/9

OTHER PUBLICATIONS

“AG130 Front Air Suspension,” Kenworth Truck Company, Kirkland, Washington, 2008, 2-page brochure.
 “C500B,” Kenworth Truck Company, Kirkland, Washington, as early as 1990, 4-page brochure.
 “Class Pays,” Peterbilt Motors Company, Denton, Texas, Sep. 1997, 10-page brochure.
 “Class Pays,” Peterbilt Motors Company, Denton, Texas, Nov. 1998, 10-page brochure.
 “Class Pays, Construction Trucks,” Peterbilt Motors Company, Denton, Texas, Nov. 2003, 16-page brochure.
 “Class Pays, Truck Models,” Peterbilt Motors Company, Denton, Texas, Mar. 2005, 24-page brochure.
 Foreground: International Daycab, multi-piece fairing assembly, at least as early as 2005; Background: Volvo Daycab, single-piece fairing, at least as early as 2005, 1 page.
 Ford Daycab, two-piece fairing assembly, at least as early as 2005, 1 page.
 Freightliner Daycab, multi-piece fairing assembly, at least as early as 2005, 1 page.
 “Interiors,” Kenworth Truck Company, Kirkland, Washington, 2005, 16-page brochure.
 International Daycab, one-piece fairing, at least as early as 2005, 1 page.
 “K100E,” Kenworth Truck Company, Kirkland, Washington, 1984, 8-page brochure.
 Kenworth T800 Daycab with 3-piece roof fairing, at least as early as 2005, 1 page
 “Kenworth T2000 Daycab,” Kenworth Truck Company, Kirkland, Washington, 1997, 2 pages.
 “Kenworth T2000 Daycab Roof,” Kenworth Truck Company, Kirkland, Washington, 1997, 2 pages.
 “Kenworth T2000 Standard Cab with sleeper and one-piece fairing,” Kenworth Truck Company, Kirkland, Washington, 1997, 2 pages.
 “Kenworth Truck Models,” Kenworth Truck Company, Kirkland, Washington, 2010, 16-page brochure.
 Left: Volvo Daycab, adjustable roof fairing, at least as early as 2005; Right: Freightliner Daycab, one-piece fairing, at least as early as 2005, 1 page.
 Mack Daycab, single-piece fairing, at least as early as 2005, 1 page.
 “Model 377A/E,” Peterbilt Motors Company, Denton, Texas, Jan. 1995, 6-page brochure.
 “Model 377A/E,” Peterbilt Motors Company, Denton, Texas, Aug. 1997, 2-page brochure.
 “Model 378,” Peterbilt Motors Company, Denton, Texas, Mar. 1998, 3-page brochure.
 “Model 385,” Peterbilt Motors Company, Denton, Texas, Oct. 1996, 5-page brochure.
 “Model 387,” Peterbilt Motors Company, Denton, Texas, Oct. 2002, 2-page brochure.
 “PACCAR Engines, 2010 Medium Duty Engines,” PACCAR Inc, Bellevue, Washington, 2010, 6-page brochure.
 “PACCAR MX,” PACCAR Inc, Bellevue, Washington, 2010, 4-page brochure.
 “Studio Sleeper,” Kenworth Truck Company, Kirkland, Washington, 1993, 5-page brochure.
 “T170 Class 5,” Kenworth Truck Company, Kirkland, Washington, 2008, 4-page brochure.
 “T270 Class 6 and T370 Class 7,” Kenworth Truck Company, Kirkland, Washington, 2008, 6-page brochure.
 “T270 Class 6 and T370 Class 7,” Kenworth Truck Company, Kirkland, Washington, 2009, 6-page brochure.
 “T270 Class 6 and T370 Class 7 Hybrid,” Kenworth Truck Company, Kirkland, Washington, 2009, 6-page brochure.
 “T300,” Kenworth Truck Company, Kirkland, Washington, 1994, 4-page brochure.

(56)

References Cited

OTHER PUBLICATIONS

“T300,” Kenworth Truck Company, Kirkland, Washington, 2001, 16-page brochure.
 “T300,” Kenworth Truck Company, Kirkland, Washington, 2005, 16-page brochure.
 “T400B and T450B,” Kenworth Truck Company, Kirkland, Washington, 1992, 10-page brochure.
 “T440,” Kenworth Truck Company, Kirkland, Washington, 2010, 2-page brochure.
 “T440,” Kenworth Truck Company, Kirkland, Washington, 2010, 6-page brochure.
 “T470,” Kenworth Truck Company, Kirkland, Washington, 2010, 6-page brochure.
 “T470H,” Kenworth Truck Company, Kirkland, Washington, 2009, 2-page brochure.
 “T600,” Kenworth Truck Company, Kirkland, Washington, 1996, 7-page brochure.
 “T600,” Kenworth Truck Company, Kirkland, Washington, 2002, 28-page brochure.
 “T600,” Kenworth Truck Company, Kirkland, Washington, 2005, 24-page brochure.
 “T600, Ten Years of Innovation,” Kenworth Truck Company, Kirkland, Washington, 1995, 6-page brochure.
 “T660,” Kenworth Truck Company, Kirkland, Washington, 2007, 36-page brochure.
 “T660,” Kenworth Truck Company, Kirkland, Washington, 2009, 36-page brochure.
 “T700,” Kenworth Truck Company, Kirkland, Washington, 2010, 6-page brochure.
 “T800,” Kenworth Truck Company, Kirkland, Washington, 2002, 32-page brochure.

“T800,” Kenworth Truck Company, Kirkland, Washington, 2003, 32-page brochure.
 “T800,” Kenworth Truck Company, Kirkland, Washington, 2005, 28-page brochure.
 “T800,” Kenworth Truck Company, Kirkland, Washington, 2009, 28-page brochure.
 “T800B,” Kenworth Truck Company, Kirkland, Washington, 1993, 8-page brochure.
 “T2000,” Kenworth Truck Company, Kirkland, Washington, 1999, 20-page brochure.
 “T2000,” Kenworth Truck Company, Kirkland, Washington, 2002, 20-page brochure.
 “T2000,” Kenworth Truck Company, Kirkland, Washington, 2005, 20-page brochure.
 Top: Mack Daycab, single-piece fairing, at least as early as 2005;
 Bottom: Volvo Daycab, multi-piece fairing assembly, at least as early as 2005, 1 page.
 “Unibilt™ Cab Sleeper System,” Peterbilt Motors Company, Denton Texas, Aug. 1994, 6-page brochure.
 Volvo Daycab, roof fairings comprised of multi-piece assembly, at least as early as 2005, 1 page.
 “W900,” Kenworth Truck Company, Kirkland, Washington, 1996, 7-page brochure.
 “W900,” Kenworth Truck Company, Kirkland, Washington, 2002, 32-page brochure.
 “W900,” Kenworth Truck Company, Kirkland, Washington, 2005, 28-page brochure.
 “W900,” Kenworth Truck Company, Kirkland, Washington, 2009, 28-page brochure.
 “The World’s Best,” Kenworth Truck Company, Kirkland, Washington, 1992, 12-page brochure.

* cited by examiner

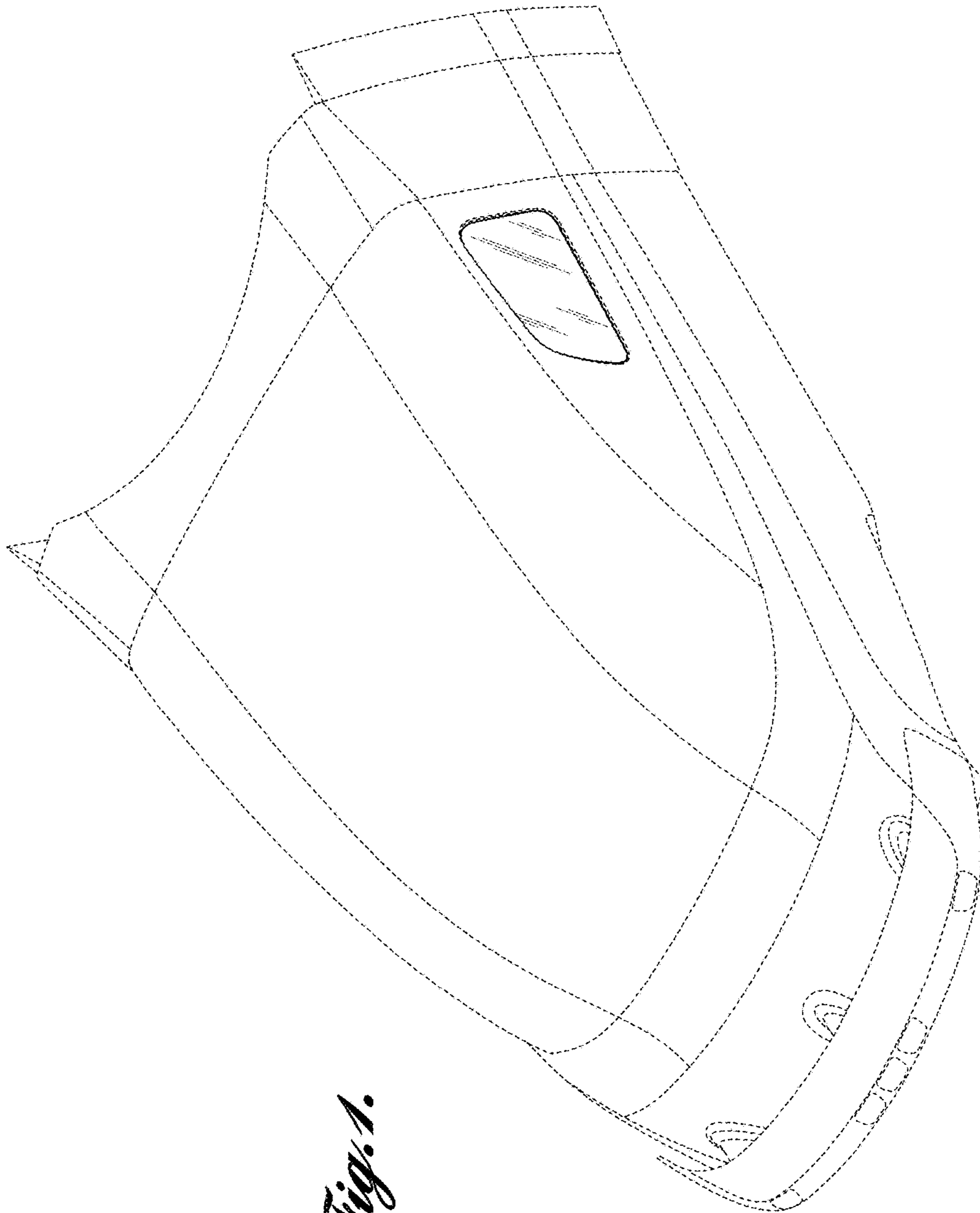


Fig. 1.

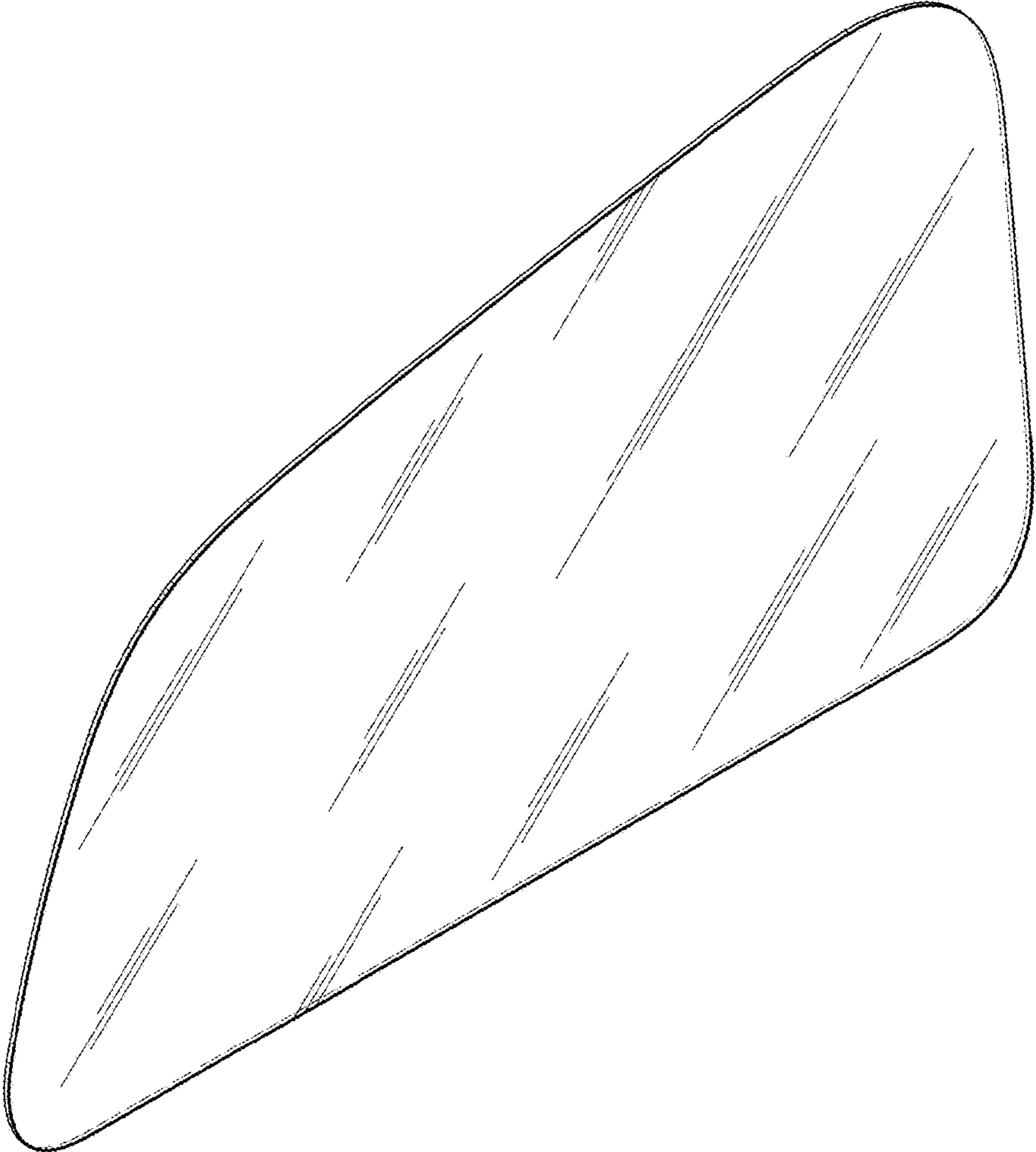


Fig. 2.

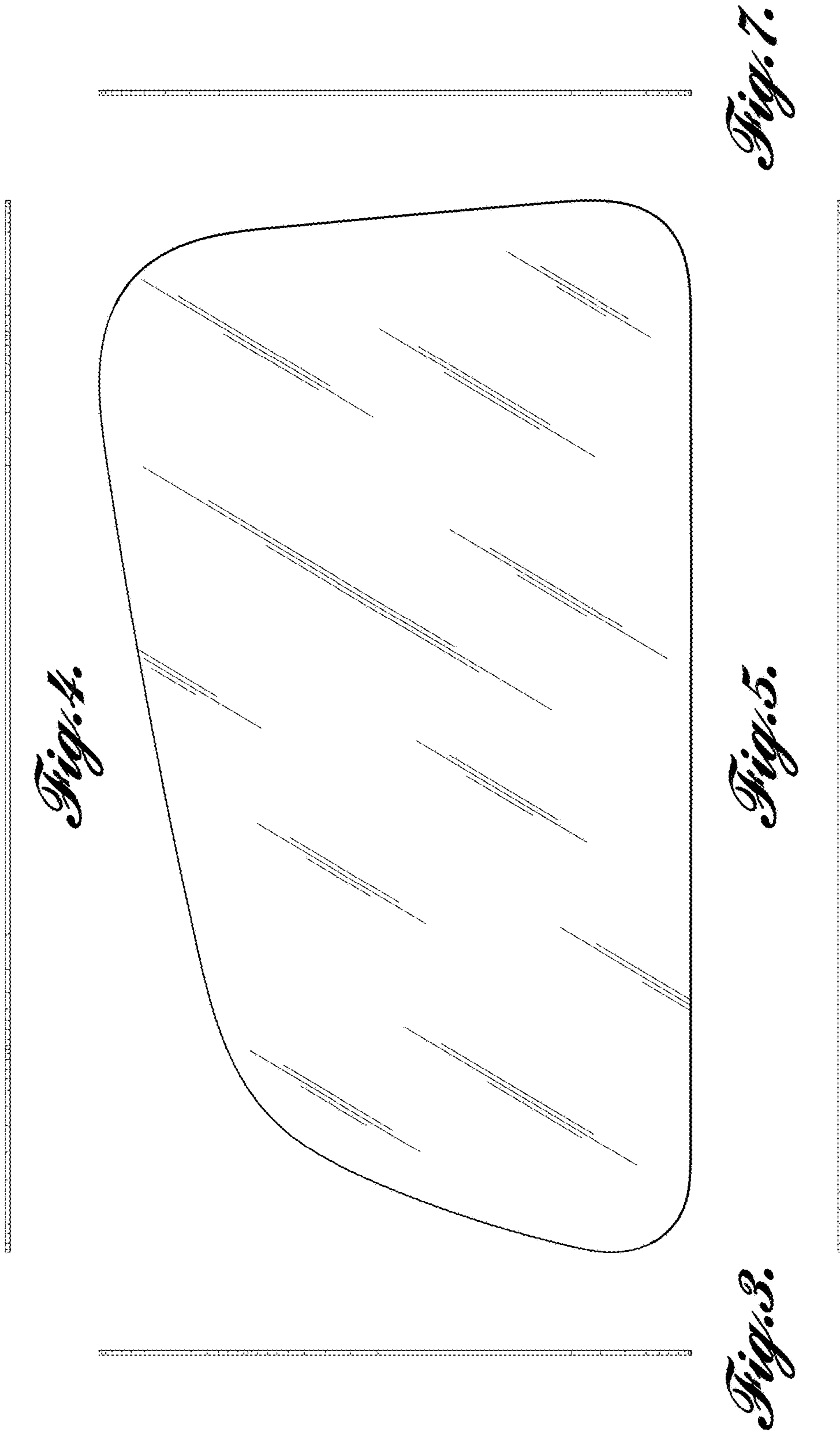


Fig. 4.

Fig. 7.

Fig. 5.

Fig. 6.

Fig. 3.

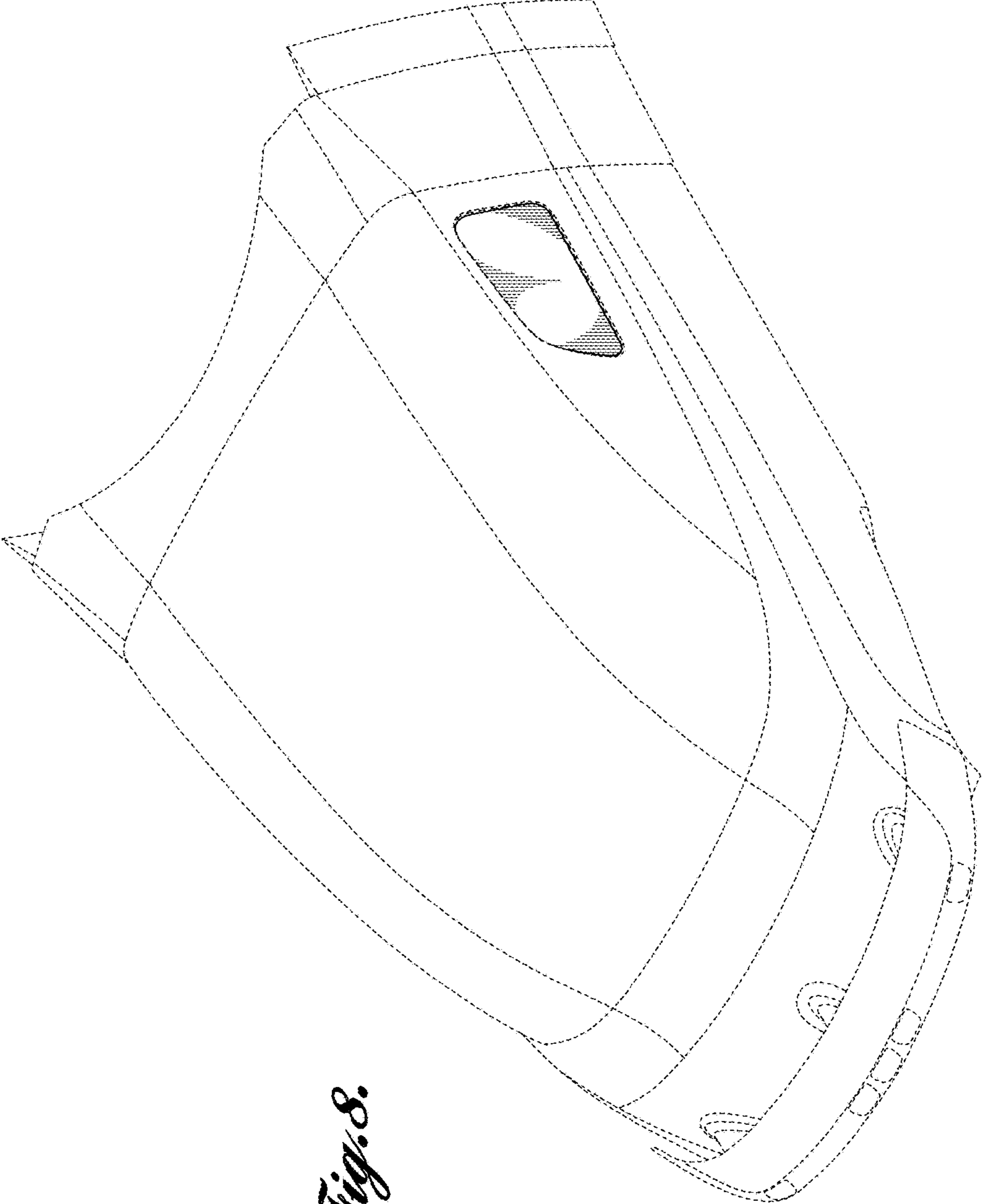


Fig. 8.

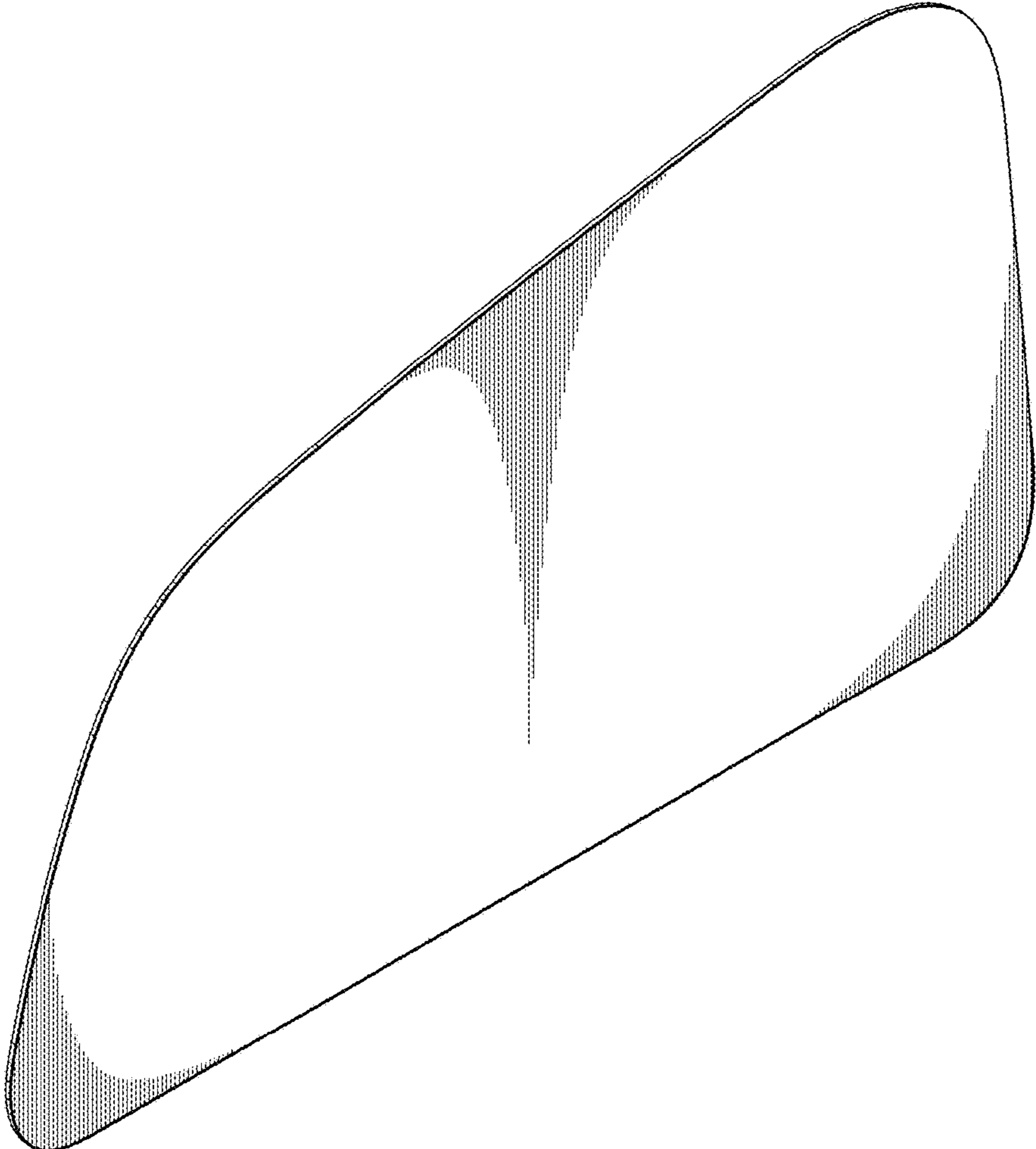


Fig. 9.

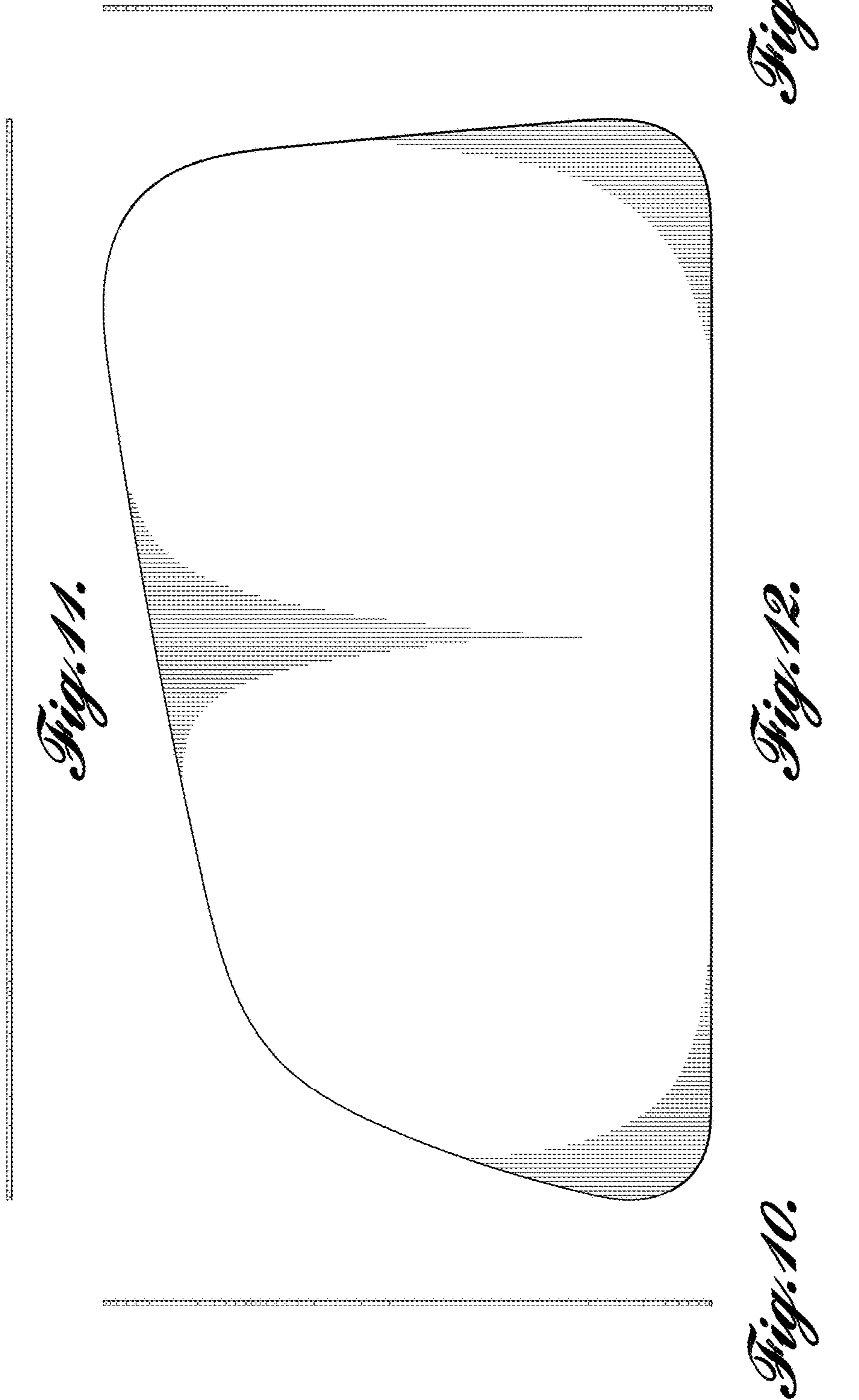


Fig. 11.

Fig. 10.

Fig. 12.

Fig. 14.

Fig. 13.