



US00D869376S

(12) **United States Design Patent**
King et al.

(10) **Patent No.:** **US D869,376 S**

(45) **Date of Patent:** **** Dec. 10, 2019**

(54) **VENTING DEVICE**

(71) Applicants: **Justin King**, Altamonte Springs, FL (US); **Jarad King**, Altamonte Springs, FL (US)

(72) Inventors: **Justin King**, Altamonte Springs, FL (US); **Jarad King**, Altamonte Springs, FL (US)

(73) Assignee: **Protective Enclosures Company, LLC**, Altamonte Springs, FL (US)

(**) Term: **15 Years**

(21) Appl. No.: **29/644,020**

(22) Filed: **Apr. 13, 2018**

(51) **LOC (12) Cl.** **12-16**

(52) **U.S. Cl.**
USPC **D12/401**

(58) **Field of Classification Search**
USPC D12/93, 94, 95, 96, 97, 98, 99, 100, 400, D12/401, 406, 412, 413, 414.1, 101, 102, D12/103, 104, 105, 106, 403; D23/370, D23/371, 386, 387, 388, 389, 390, 391, D23/392, 393, 395, 397, 400, 499; 16/110.1; 454/155

CPC .. B60P 1/56; B60P 3/222; B60P 3/224; B61D 7/00; B61D 7/02; B23K 31/02

See application file for complete search history.

(56) **References Cited**

U.S. PATENT DOCUMENTS

D100,160 S * 6/1936 Graff D23/327
D109,479 S * 5/1938 Goldberg D23/390
4,785,596 A * 11/1988 Wiley F24F 13/08
454/250
4,899,647 A * 2/1990 Garries E06B 7/02
454/277
4,911,066 A * 3/1990 Carew F24F 13/08
454/277
D432,226 S * 10/2000 Orendorff D23/393

D466,605 S * 12/2002 Ziegler D23/393
D468,008 S * 12/2002 Fraser D23/390
D512,671 S * 12/2005 Juraschek D12/192

(Continued)

FOREIGN PATENT DOCUMENTS

KR 20160002012 * 6/2016 B63J 2/02

OTHER PUBLICATIONS

Sea Dog Stainless Steel Round Louvered Vent, WholesaleMarine.com, [online], [site visited Jul. 7, 2019]. <URL: https://www.wholesalemarine.com/sea-dog-stainless-steel-round-louvered-vent.html?gclid=EAlalQobChMI4czNk4yj4wIVrgOzAB2Wnw11EAQYBiABEgJ--vD_BwE> (Year: 2019).*

(Continued)

Primary Examiner — T Chase Nelson

Assistant Examiner — Jonathan J. Han

(74) *Attorney, Agent, or Firm* — Erica M. Cipparone; Beusse Wolter Sanks & Maire, PLLC

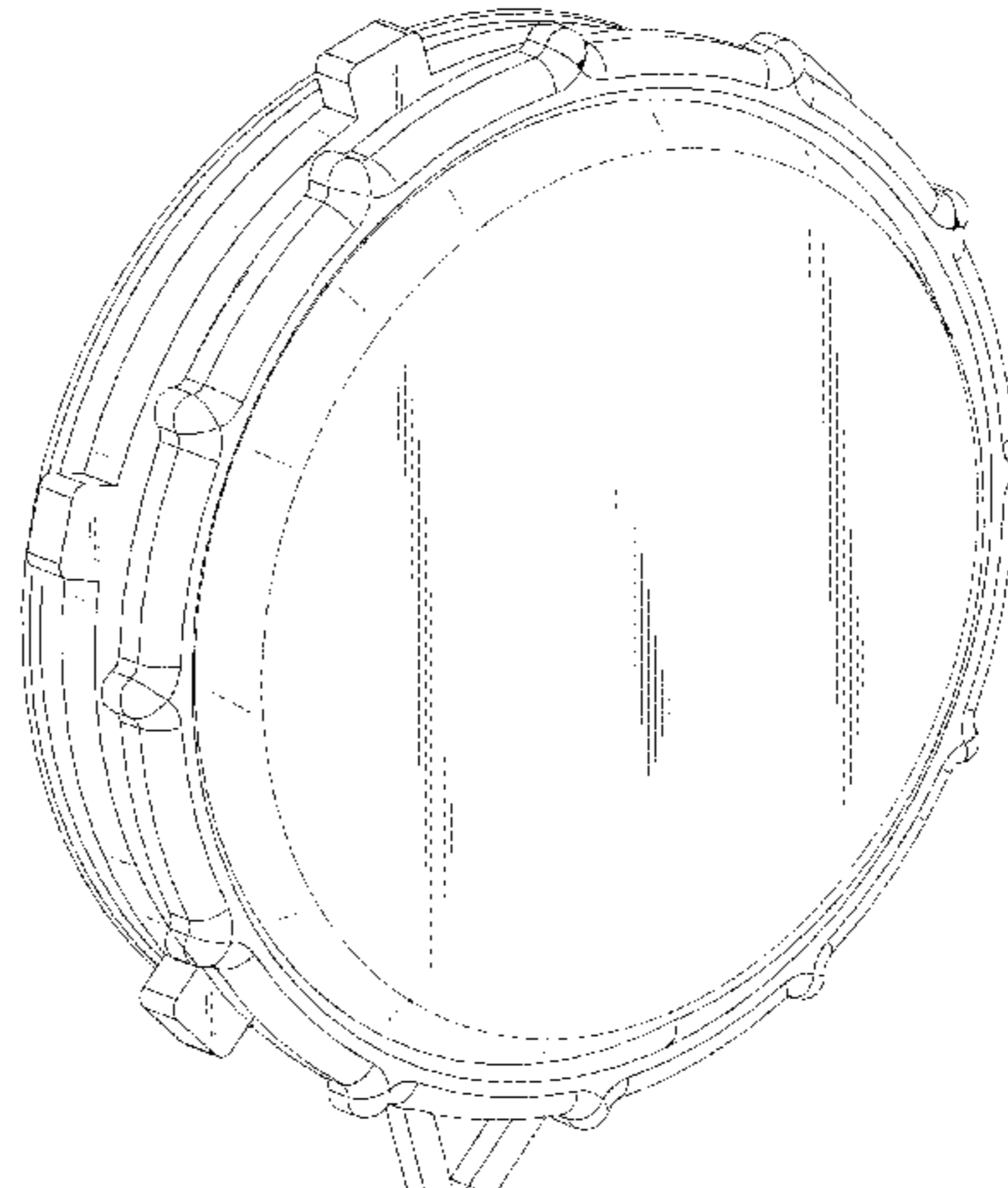
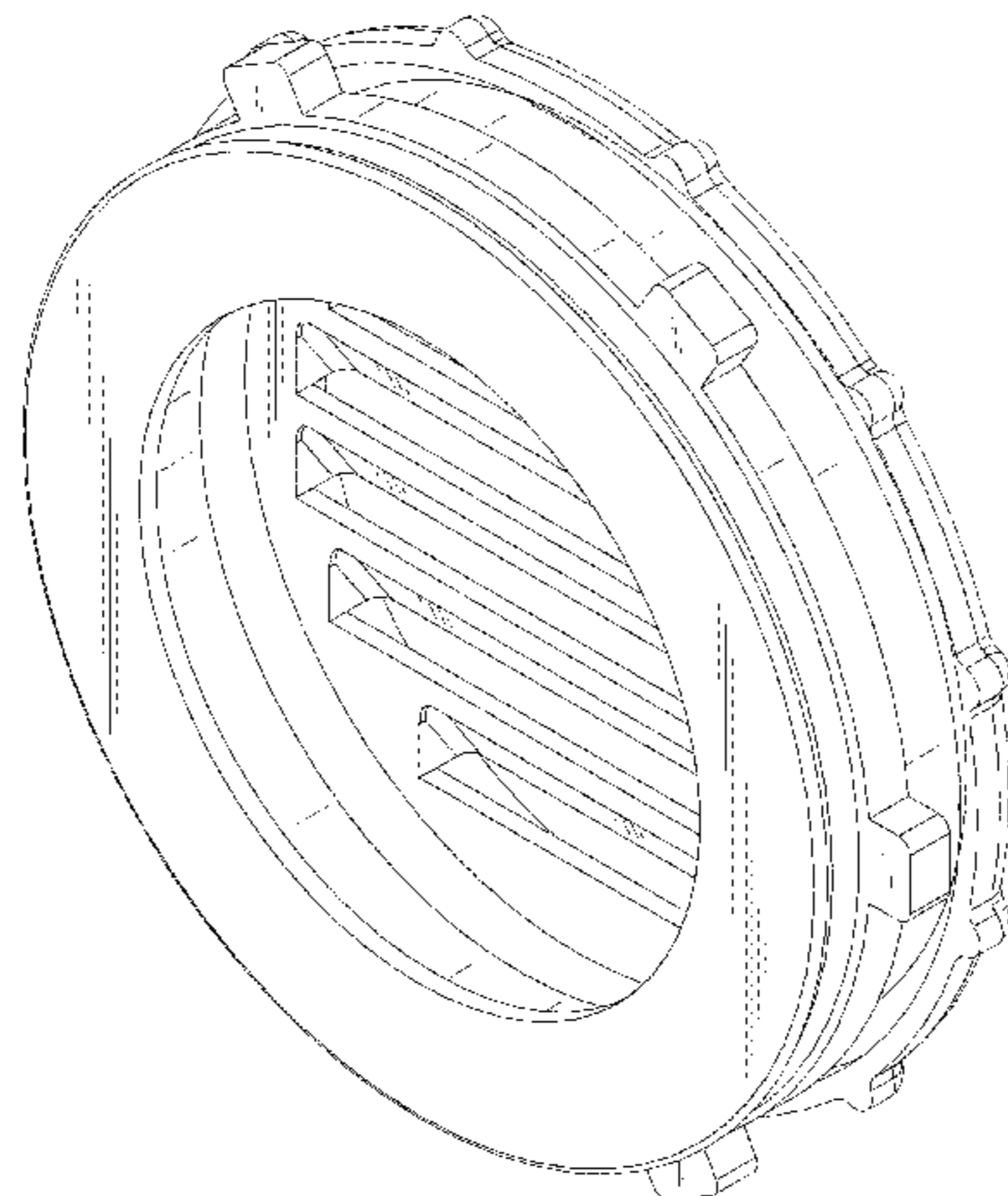
(57) **CLAIM**

The ornamental design for a venting device, as shown and described.

DESCRIPTION

FIG. 1 is a back perspective view of the venting device; FIG. 2 is a front perspective view thereof; FIG. 3 is a front elevational view thereof; FIG. 4 is a back elevational view thereof; FIG. 5 is a right side elevational view thereof; FIG. 6 is a left side elevational view thereof; FIG. 7 is a top plan view thereof; FIG. 8 is a bottom plan view thereof; FIG. 9 is a front perspective view with the cap portion removed; and, FIG. 10 is a front elevational view with the cap portion removed.

1 Claim, 8 Drawing Sheets



(56)

References Cited

U.S. PATENT DOCUMENTS

D535,732 S * 1/2007 Klopp, III D12/195
 7,544,123 B2 * 6/2009 Krause B60H 1/3421
 454/310
 D612,921 S * 3/2010 Rosenbohm D23/327
 8,651,924 B1 * 2/2014 Jones B64D 13/02
 244/118.5
 D705,270 S * 5/2014 Richard D15/5
 D715,409 S * 10/2014 Raimondi D23/259
 D717,416 S * 11/2014 Wakabayashi D23/332
 D723,144 S * 2/2015 Rejkowski D23/324
 D726,897 S * 4/2015 Hatz D23/411
 9,091,452 B2 * 7/2015 Yen F24F 6/12
 D752,201 S * 3/2016 Herbst D23/370
 D761,411 S * 7/2016 Schanzenbach D23/371
 D804,436 S * 12/2017 Tauchi D13/182
 9,840,128 B2 * 12/2017 Livingston B60H 1/00964
 D813,355 S * 3/2018 Weatherby D23/259
 2002/0025774 A1 * 2/2002 Yamaguchi B60H 1/3428
 454/155
 2003/0157880 A1 * 8/2003 Nishida B60H 1/3414
 454/155
 2004/0127153 A1 * 7/2004 Demerath B60H 1/3421
 454/155

2004/0142653 A1 * 7/2004 Gehring B60H 1/3421
 454/155
 2006/0040606 A1 * 2/2006 Park B60H 1/3428
 454/155
 2006/0052046 A1 * 3/2006 Krause B60H 1/3421
 454/155

OTHER PUBLICATIONS

Valterra Heating and A/C Vent Register—Round—Black, eTrailer.com, [online], [site visited Jul. 7, 2019]. <URL: https://www.etrailer.com/RV-Vents-and-Fans/Valterra/A10-3353VP.html?feed=npn&gclid=EA1a1QobChM1koDT5oyj4wIVR_fjBx3OWwUSEAQYBCABEgKkFPD_BwE> (Year: 2019).
 Premium Cast Vinyl Decal Inner AC Vent Ring Kit for 2016-2019 Tacoma, TVDvinylDecals.com, [online], [site visited Jul. 7, 2019]. <URL: <https://tvdvinyldecals.com/products/premiunn-vinyl-decal-inner-ac-vent-ring-kit-for-2016-2018-toyota-tacoma>> (Year: 2019).
 2014 Mercedes-Benz S550 4matic: Mercedes: 1, Winter: 0, GuideAutoWeb.com, by Denis Duquet, Feb. 27, 2014, [online], [site visited Jul. 7, 2019]. <URL: <https://www.guideautoweb.com/en/galleries/24075/2014-mercedes-benz-s550-4matic-mercedes-1-winter-0/?im=22>> (Year: 2014).*

* cited by examiner

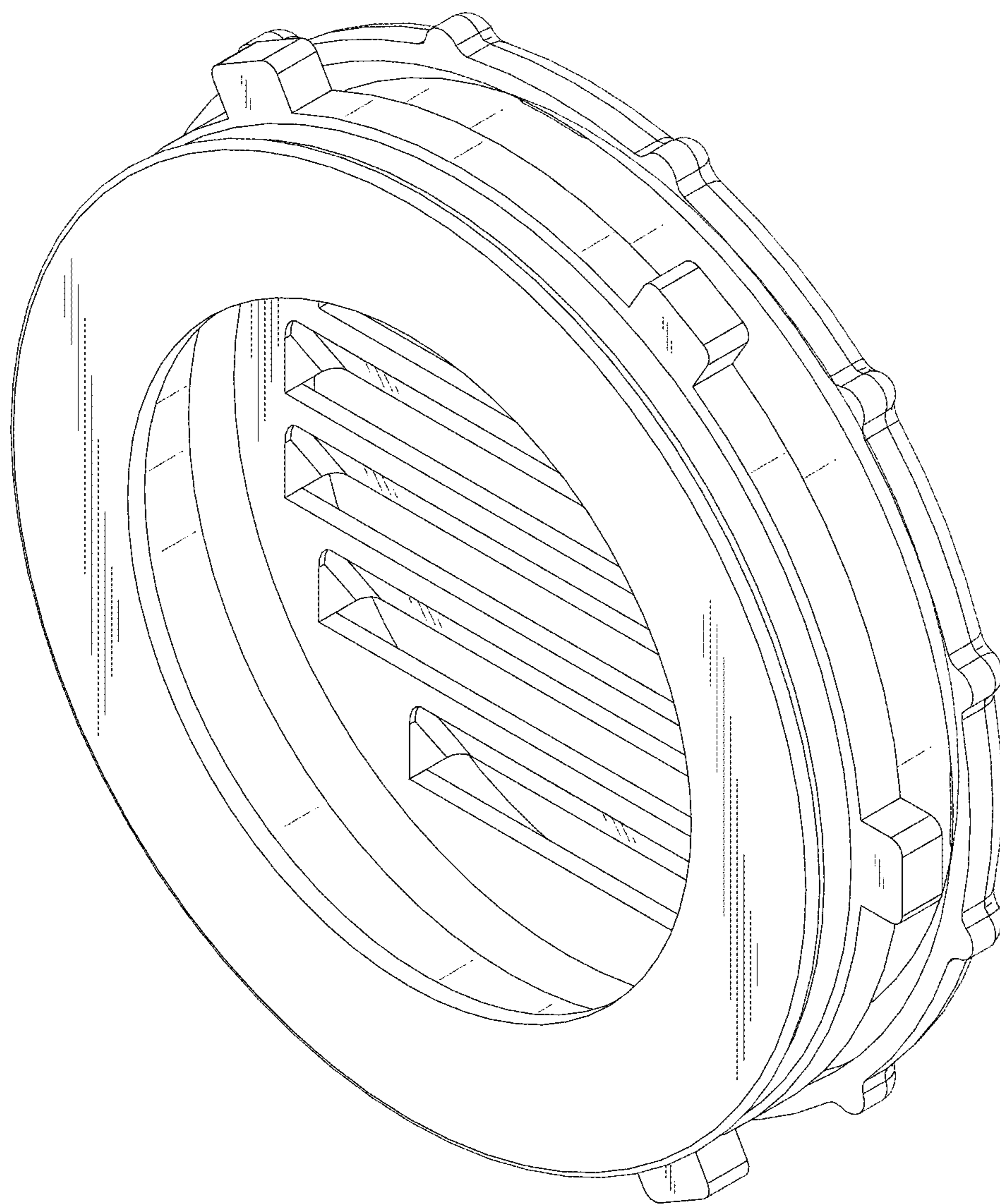


FIG. 1

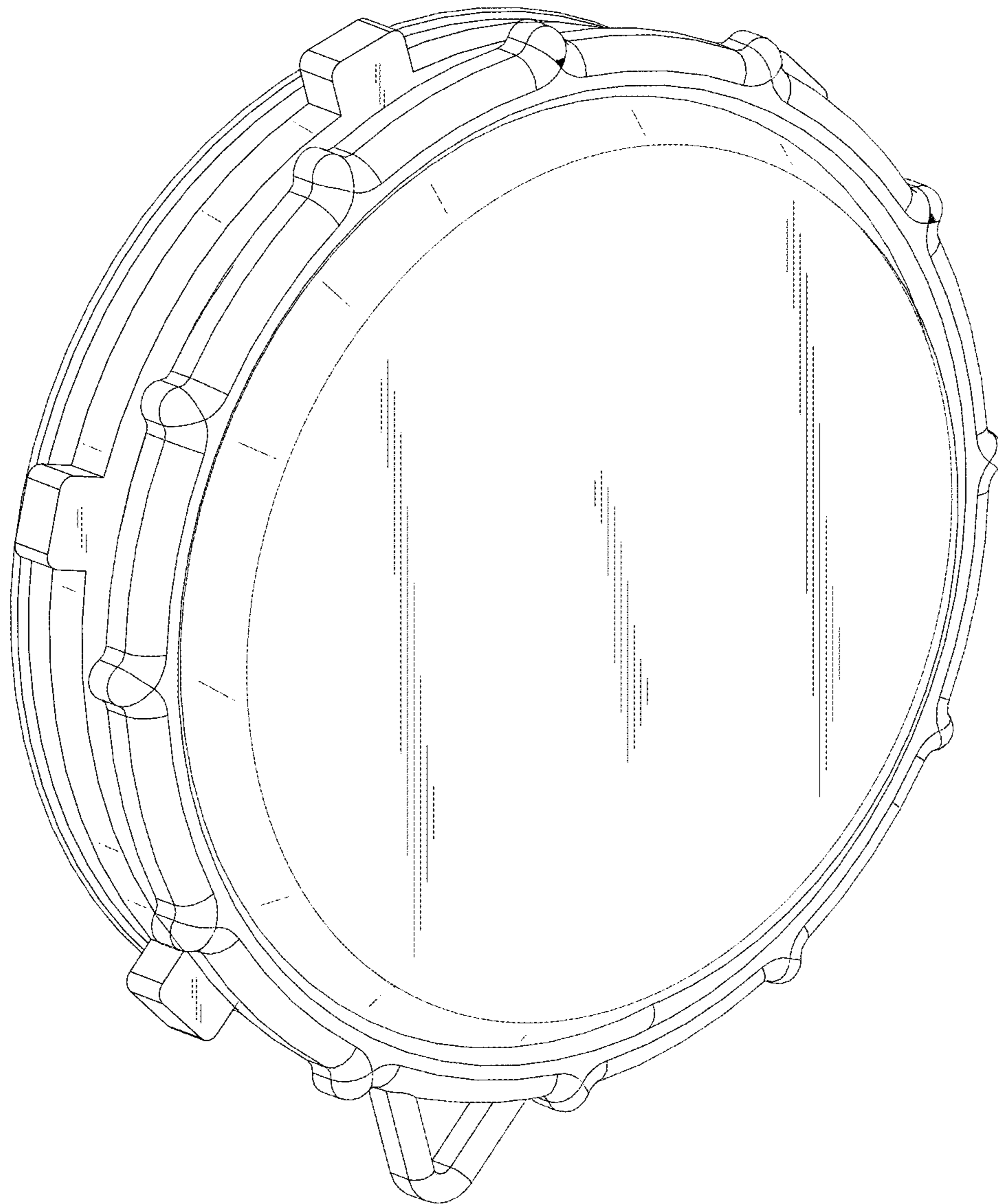


FIG. 2

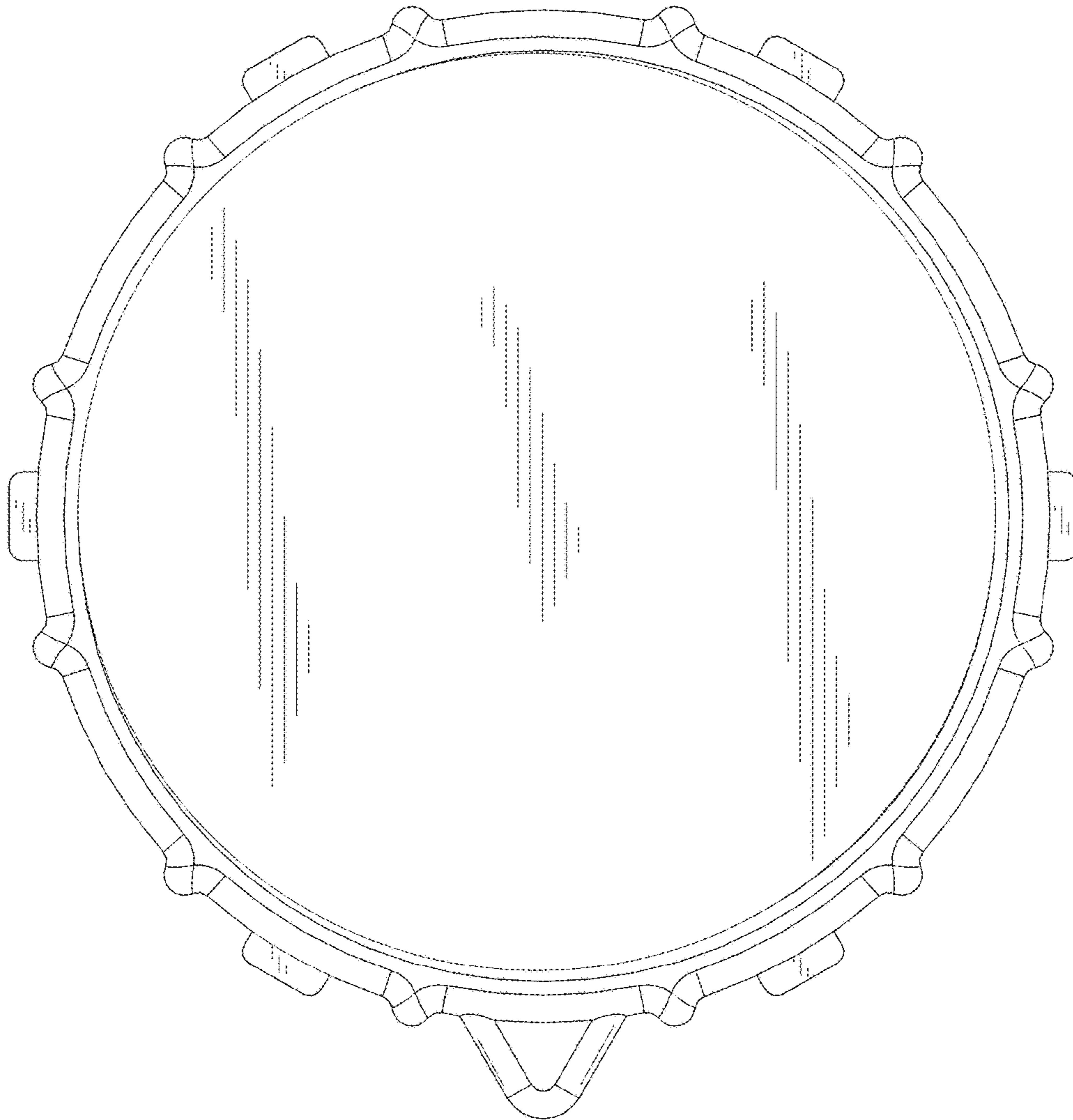


FIG. 3

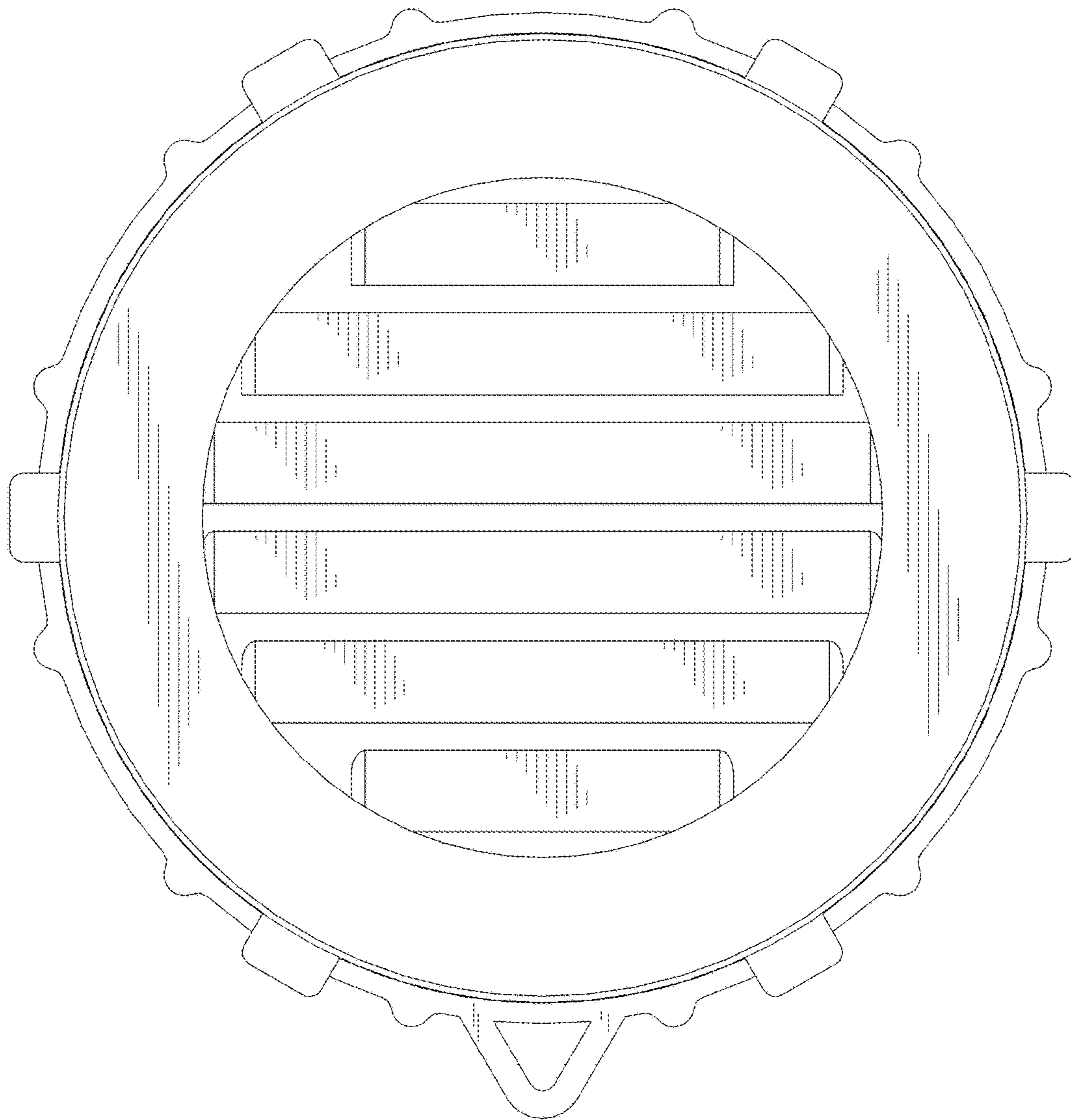


FIG. 4

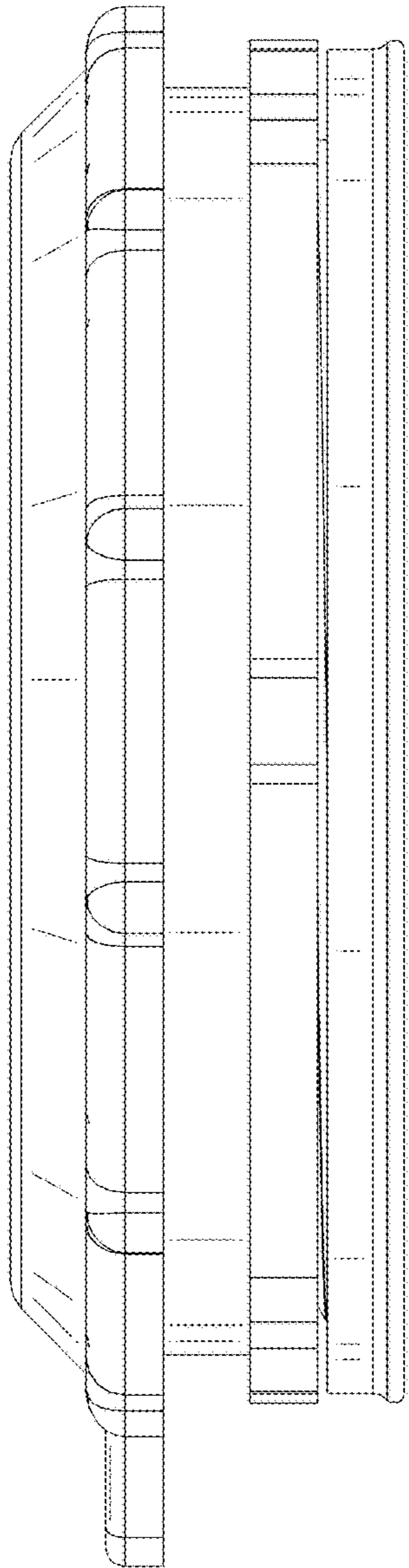


FIG. 5

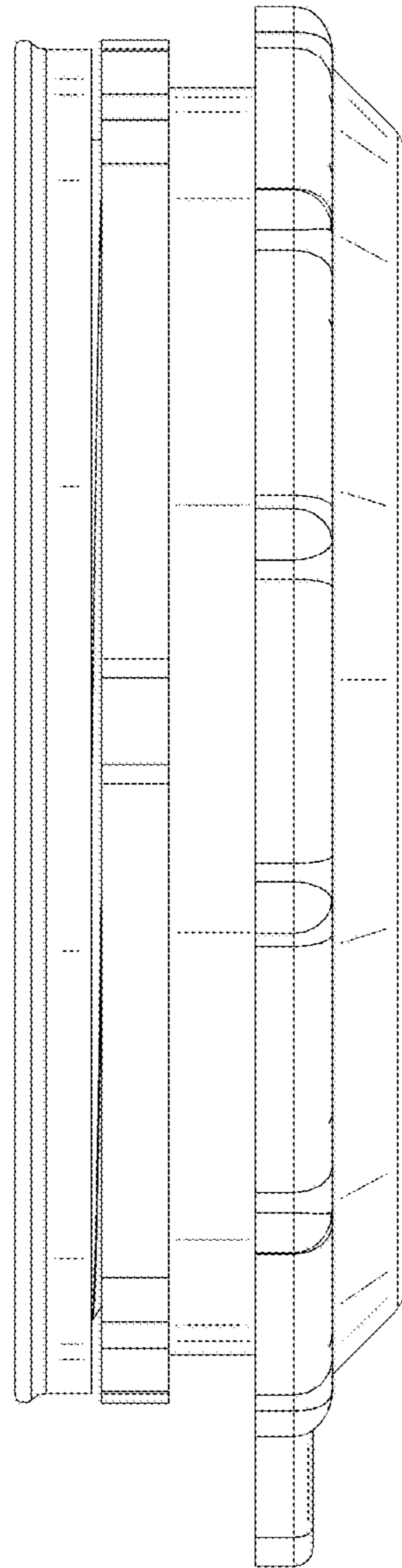


FIG. 6

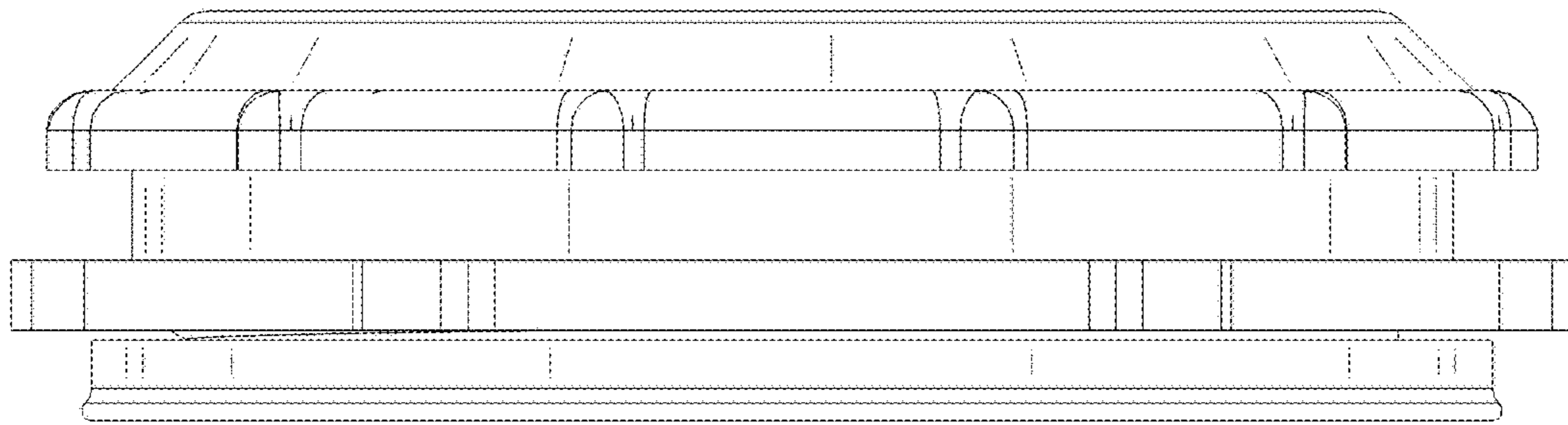


FIG. 7

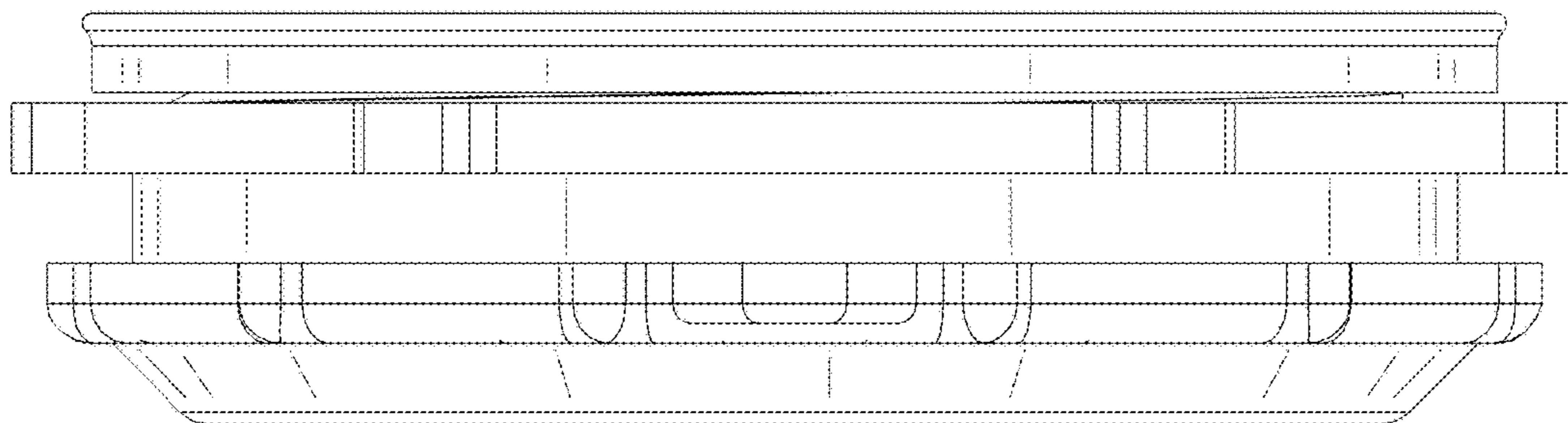


FIG. 8

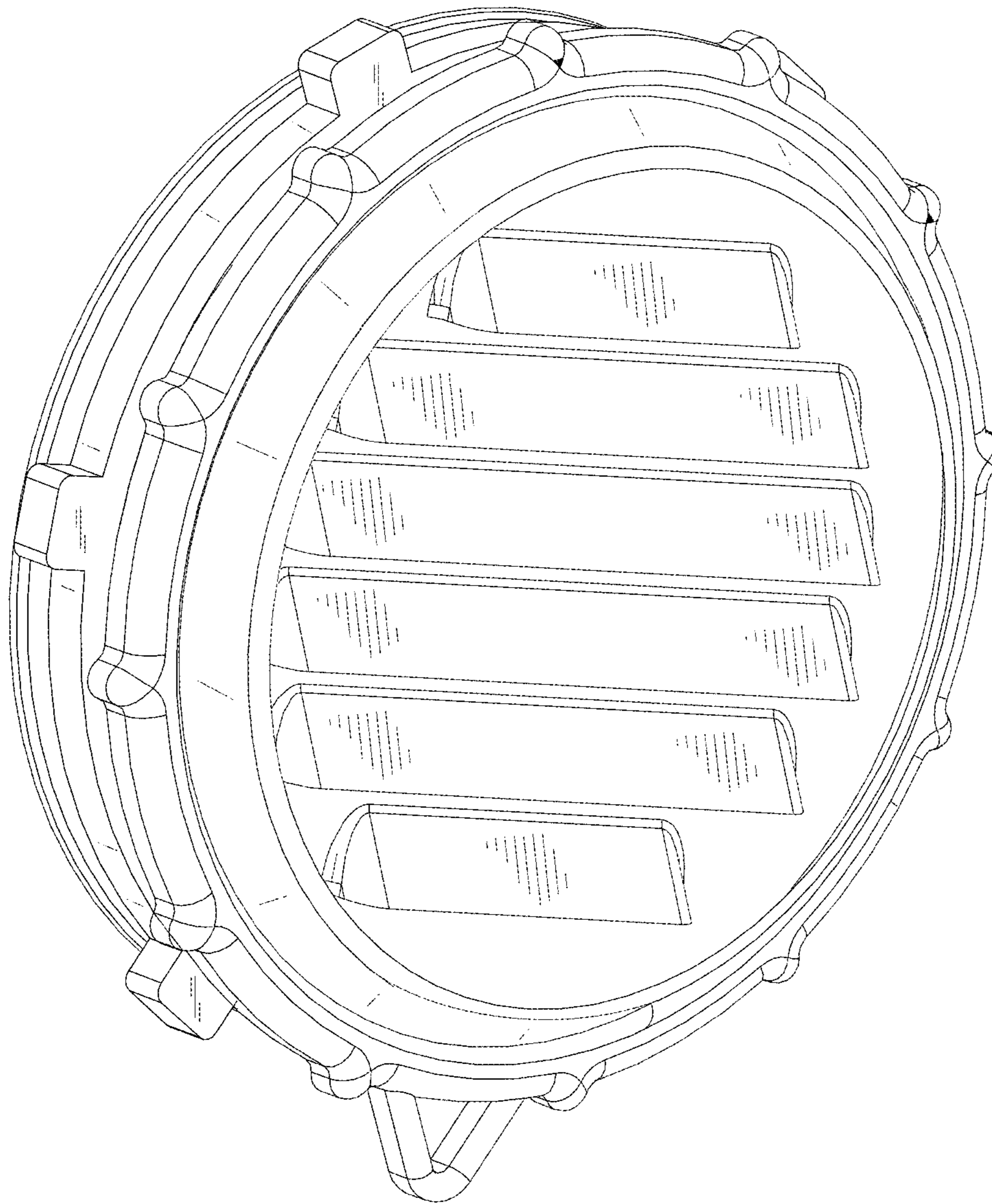


FIG. 9

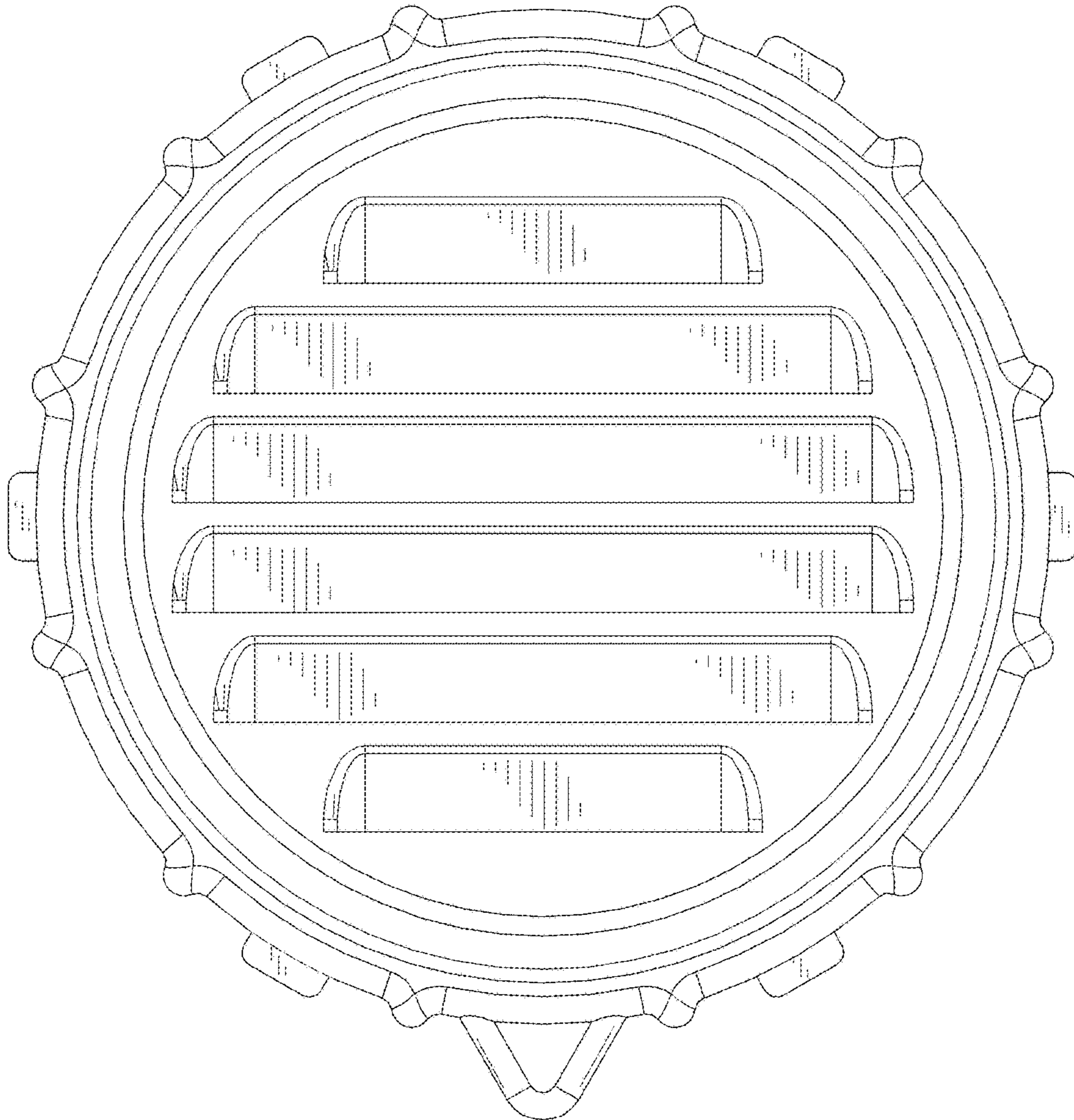


FIG. 10