



US00D869375S

(12) **United States Design Patent**
Kim et al.

(10) **Patent No.:** **US D869,375 S**

(45) **Date of Patent:** **** Dec. 10, 2019**

(54) **AERIAL VEHICLE**

(71) Applicant: **SZ DJI Technology Co., Ltd.**,
Shenzhen (CN)

(72) Inventors: **Min Kim**, Shenzhen (CN); **Siyoon Kim**, Shenzhen (CN); **Guisheng Nong**, Shenzhen (CN); **Lei Zhang**, Shenzhen (CN); **Peng Bin**, Shenzhen (CN); **Tianhang Ma**, Shenzhen (CN)

(73) Assignee: **SZ DJI Technology Co., Ltd.**,
Shenzhen (CN)

(**) Term: **15 Years**

(21) Appl. No.: **29/600,615**

(22) Filed: **Apr. 13, 2017**

(51) **LOC (12) Cl.** **12-02**

(52) **U.S. Cl.**
USPC **D12/328**

(58) **Field of Classification Search**
USPC D12/1-4, 16.1, 319-345; D21/436-454;
D11/116, 61, 157; D18/26, 28; D20/29
CPC B64C 39/024; B64C 13/16; B64C 19/00;
B64C 2201/021; B64C 2201/141; B60H
1/3442; A63H 27/10

See application file for complete search history.

(56) **References Cited**

U.S. PATENT DOCUMENTS

D691,514 S	*	10/2013	Wang	D12/16.1
D710,454 S	*	8/2014	Barajas	D12/16.1
D745,435 S	*	12/2015	Park	D12/16.1
D759,764 S	*	6/2016	Lai	D12/16.1
D760,848 S	*	7/2016	McKenna	D12/16.1
D763,134 S	*	8/2016	Wang	D12/16.1
D768,539 S	*	10/2016	Lee	D12/16.1
D772,991 S	*	11/2016	Caubel	D12/16.1
D777,263 S	*	1/2017	Lavagen	D12/16.1
D782,366 S	*	3/2017	Xiao	D12/16.1

D784,202 S	*	4/2017	Park	D12/16.1
D784,854 S	*	4/2017	Huang	D12/16.1
D785,541 S	*	5/2017	Du	D12/328
D795,967 S	*	8/2017	Haley	D12/16.1
D796,586 S	*	9/2017	Chen	D12/16.1
D798,961 S	*	10/2017	Li	D21/441
D806,606 S	*	1/2018	Morrison	D12/16.1
D809,992 S	*	2/2018	Hu	D12/328
D810,653 S	*	2/2018	Hu	D12/327
D813,724 S	*	3/2018	Hu	D12/16.1
D814,385 S	*	4/2018	Zhao	D12/328
D814,970 S	*	4/2018	Chen	D12/16.1
D814,971 S	*	4/2018	Huang	D12/16.1

(Continued)

OTHER PUBLICATIONS

Dji Spark vs Dji Mavic Pro Comparison. dated Oct. 28, 2017. found online [Jul. 23, 2019] <https://www.mydronesreview.com/2017/05/dji-spark-vs-dji-mavic-pro-comparison.html>.*

Primary Examiner — Marissa J Cash

(74) *Attorney, Agent, or Firm* — Sterne, Kessler, Goldstein & Fox P.L.L.C.

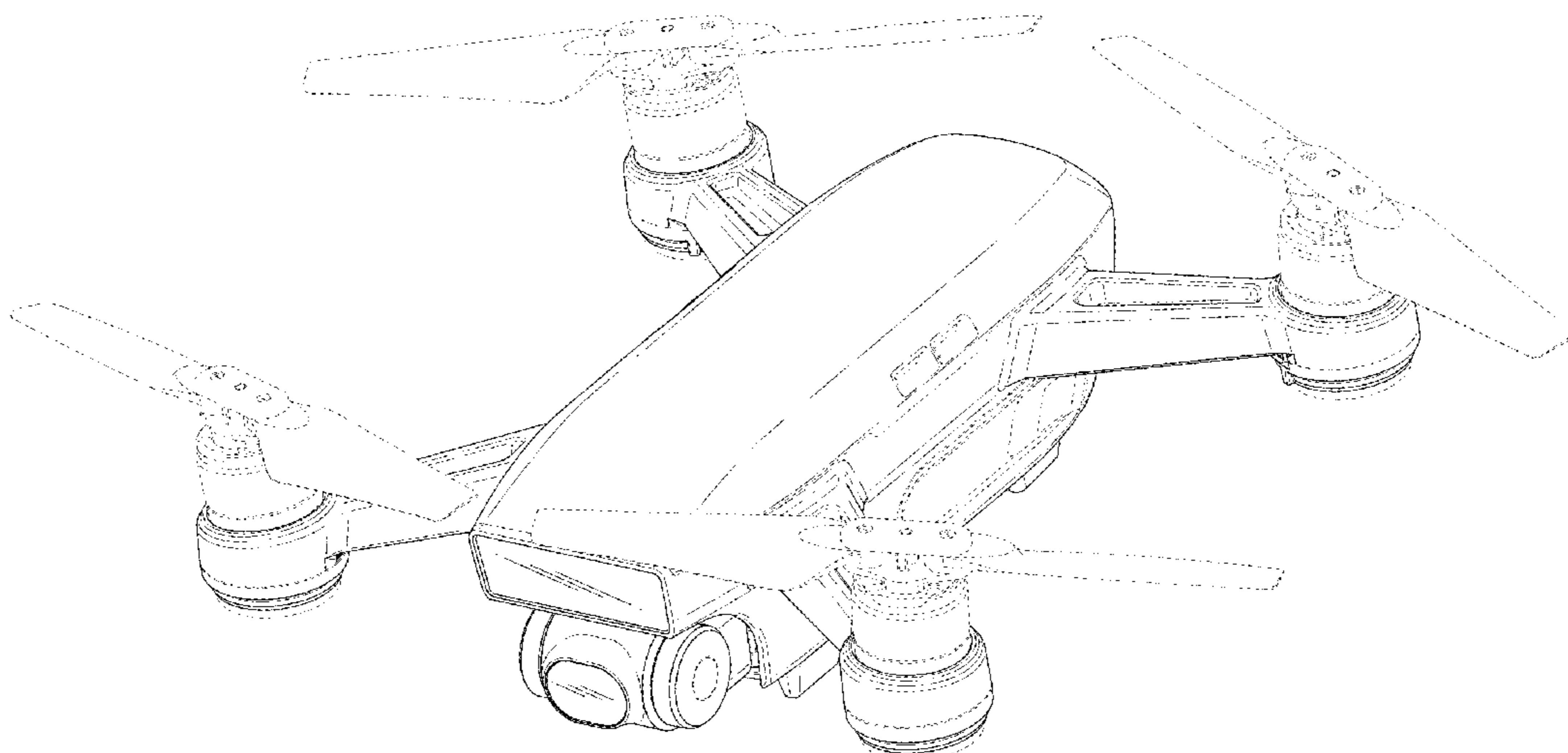
(57) **CLAIM**

The ornamental design for an aerial vehicle, as shown and described.

DESCRIPTION

FIG. 1 is a top front perspective view of an aerial vehicle showing the claimed design;
FIG. 2 is a bottom rear perspective view thereof;
FIG. 3 is a front view thereof;
FIG. 4 is a rear view thereof;
FIG. 5 is a left side view thereof;
FIG. 6 is a right side view thereof;
FIG. 7 is a top view thereof; and,
FIG. 8 is a bottom view thereof.
The dashed broken lines in the figures show portions of the aerial vehicle that form no part of the claimed design.

1 Claim, 6 Drawing Sheets



(56)

References Cited

U.S. PATENT DOCUMENTS

D816,546 S * 5/2018 Wang D12/16.1
D816,582 S * 5/2018 Liang D12/328
D817,850 S * 5/2018 Xiao D12/328
D818,872 S * 5/2018 Ho D12/16.1
D818,874 S * 5/2018 Tian D12/16.1
D819,749 S * 6/2018 Caubel D21/449
D820,158 S * 6/2018 Jeong D12/16.1
D821,263 S * 6/2018 Goldy D12/16.1
D825,379 S * 8/2018 Gury D12/16.1
D825,380 S * 8/2018 Tompkin D12/16.1
D825,381 S * 8/2018 Meugnier D12/16.1
D825,669 S * 8/2018 Tompkin D21/441
D827,723 S * 9/2018 Barajas D21/442
D827,724 S * 9/2018 Barajas D21/453
D828,222 S * 9/2018 Yu D12/16.1
D830,229 S * 10/2018 Lutterodt D12/16.1
D830,896 S * 10/2018 Lutterodt D12/16.1
D831,538 S * 10/2018 Gan D12/16.1
D843,267 S * 3/2019 Gao D12/16.1
D843,921 S * 3/2019 Shi D12/345
D849,845 S * 5/2019 Zhao D21/436
D850,978 S * 6/2019 Gao D12/16.1
D852,091 S * 6/2019 Tompkin D12/16.1
D852,673 S * 7/2019 Chen D12/16.1
D853,279 S * 7/2019 Gan D12/16.1
D854,448 S * 7/2019 Chen D12/16.1
10,343,785 B1 * 7/2019 Reese B64D 27/24
2017/0144751 A1 * 5/2017 Yu B64C 27/001
2017/0144753 A1 * 5/2017 Yu B64C 39/024
2017/0183074 A1 * 6/2017 Hutson B64C 1/061
2017/0221395 A1 * 8/2017 Benatar B64C 39/024
2018/0093768 A1 * 4/2018 Castleman B64C 39/024
2018/0111685 A1 * 4/2018 Tian B64C 39/024
2018/0149947 A1 * 5/2018 Kim B64C 25/10
2018/0183496 A1 * 6/2018 Gasnier A63H 27/00

* cited by examiner

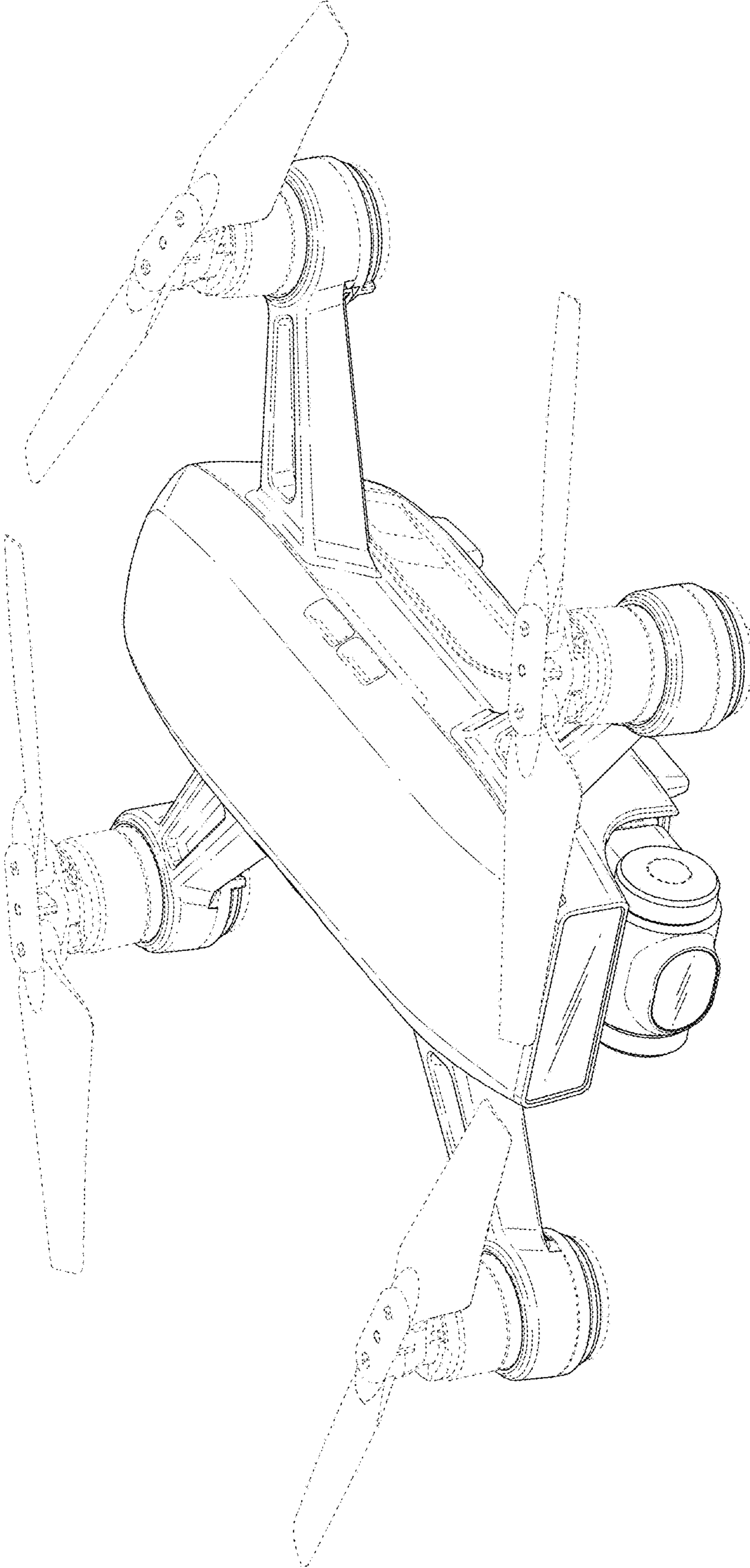


FIG. 1

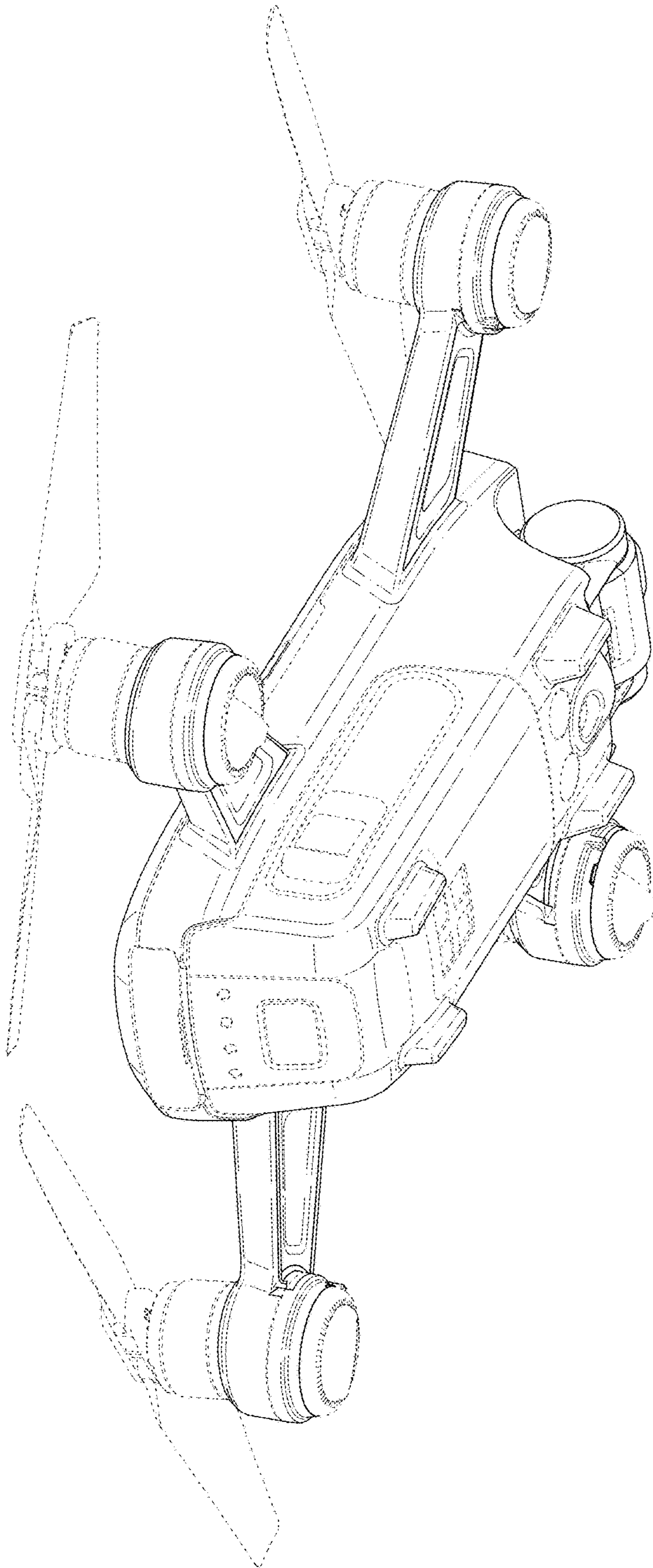


FIG. 2

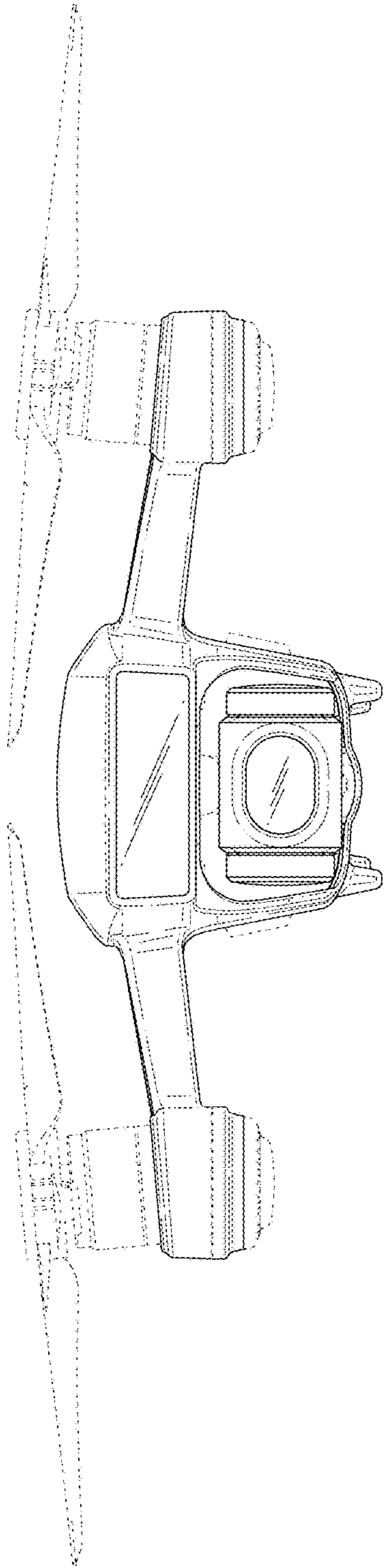


FIG. 3

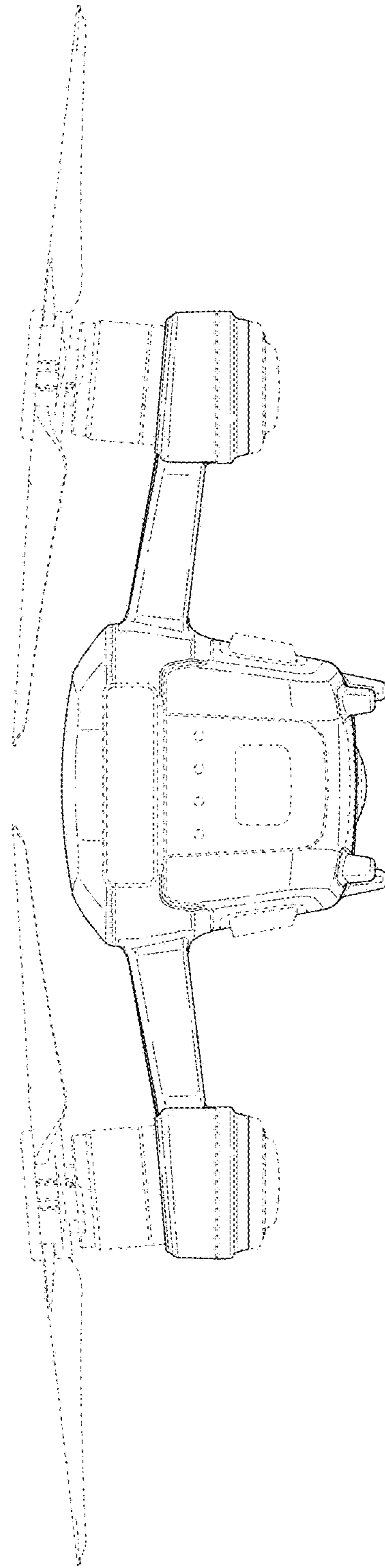


FIG. 4

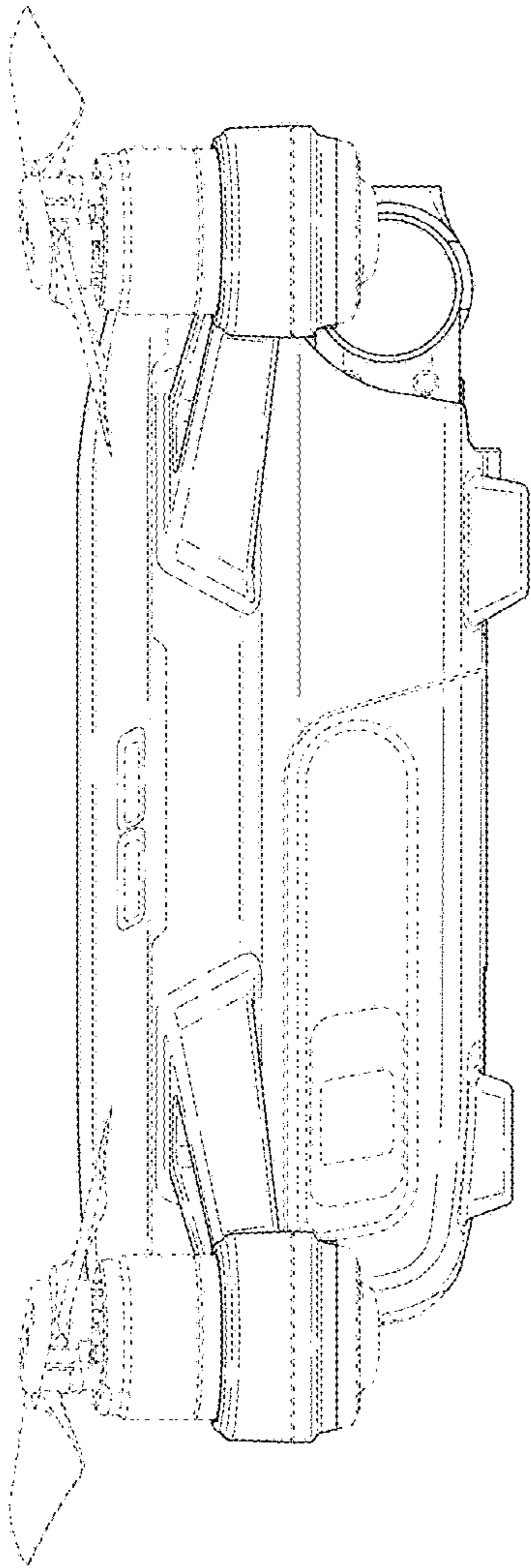


FIG. 5

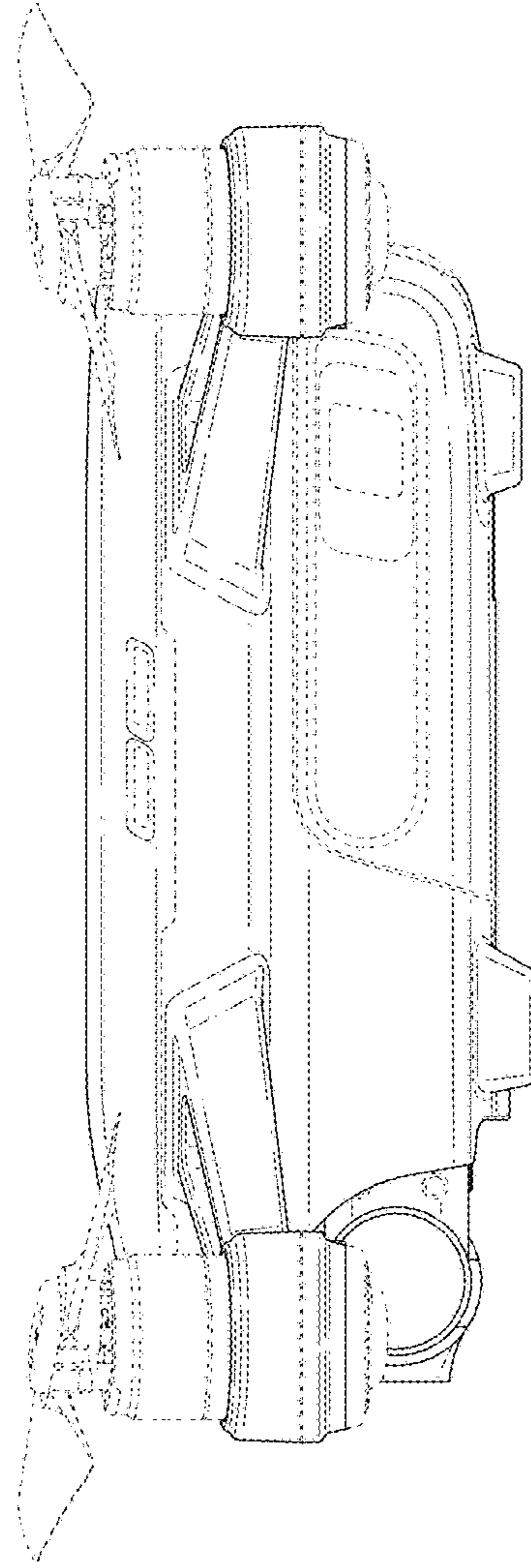


FIG. 6

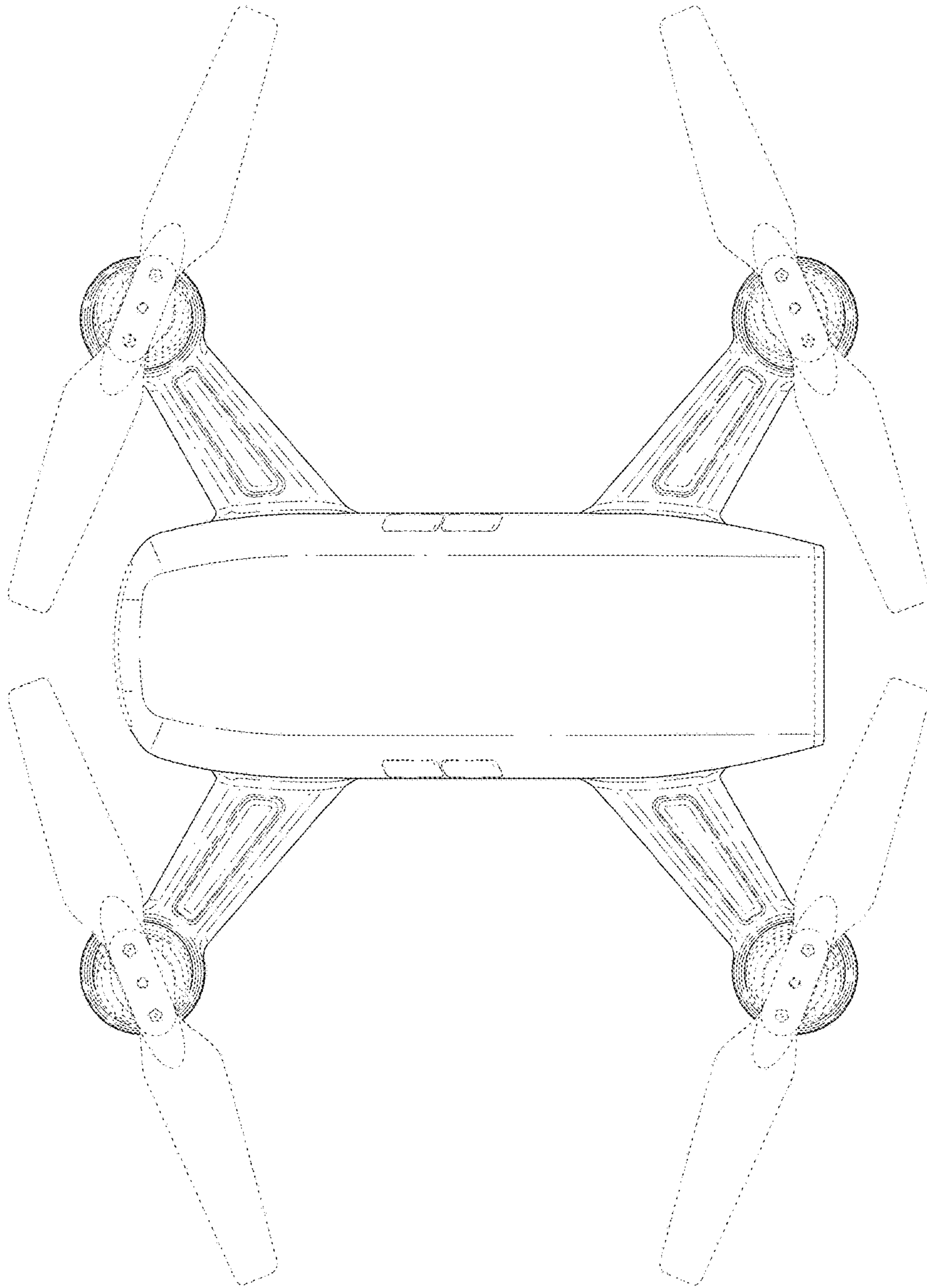


FIG. 7

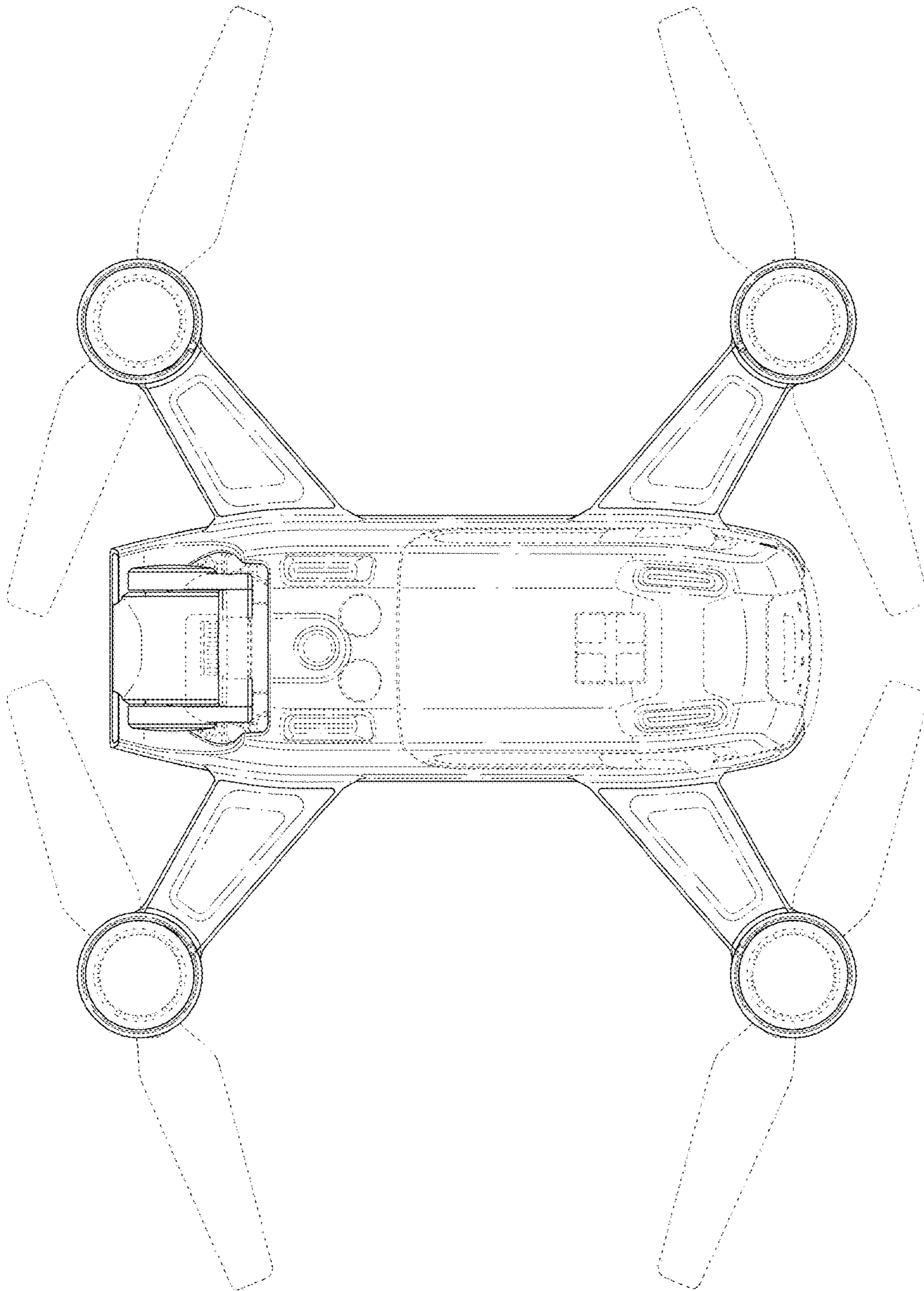


FIG. 8