



US00D869374S

(12) **United States Design Patent**
Chen et al.

(10) **Patent No.:** **US D869,374 S**
(45) **Date of Patent:** **** Dec. 10, 2019**

(54) **UNDERWATER ROBOT**
(71) Applicant: **SHENZHEN GENEINNO TECHNOLOGY CO., LTD.**,
Guangdong (CN)
(72) Inventors: **Zengqiang Chen**, Guangdong (CN);
Chao Lu, Guangdong (CN)
(73) Assignee: **SHENZHEN GENEINNO TECHNOLOGY CO., LTD.**,
Guangdong (CN)

(**) Term: **15 Years**
(21) Appl. No.: **29/640,329**

(22) Filed: **Mar. 14, 2018**

(30) **Foreign Application Priority Data**

Jan. 12, 2018 (CN) 2018 3 0014978
(51) **LOC (12) Cl.** **12-06**
(52) **U.S. Cl.**
USPC **D12/308**

(58) **Field of Classification Search**
USPC D12/308, 317, 318; D21/545, 801
CPC B63G 8/00; B63G 8/001; B63G 8/002;
B63G 8/08; B63G 8/41; B63G 8/42;
B63B 3/13; B63B 1/107; B63C 11/36;
B63C 11/40; B63C 11/42
See application file for complete search history.

(56) **References Cited**

U.S. PATENT DOCUMENTS

D221,261 S * 7/1971 Tallarico D12/308
D304,923 S * 12/1989 Pado D12/308

D447,109 S * 8/2001 Paoli D12/308
D503,754 S * 4/2005 Winston D21/545
D677,211 S * 3/2013 Tavares D12/308
8,651,041 B2 * 2/2014 Myers B63C 11/46
114/315
9,227,709 B1 * 1/2016 Schill B63G 8/16
D803,759 S * 11/2017 Habeger D12/308
2002/0083880 A1 * 7/2002 Shelton B63G 8/001
114/312
2005/0066871 A1 * 3/2005 Shelton B63G 8/001
114/312
2007/0283871 A1 * 12/2007 Millum B63C 11/42
114/331
2013/0291781 A1 * 11/2013 Myers B63C 11/46
114/315
2018/0001981 A1 * 1/2018 Boss B63G 8/16
2018/0203449 A1 * 7/2018 Tavares B63G 8/001
2018/0222560 A1 * 8/2018 Postic B63G 8/001

* cited by examiner

Primary Examiner — Cynthia M. Chin

(74) *Attorney, Agent, or Firm* — JCIPRNET

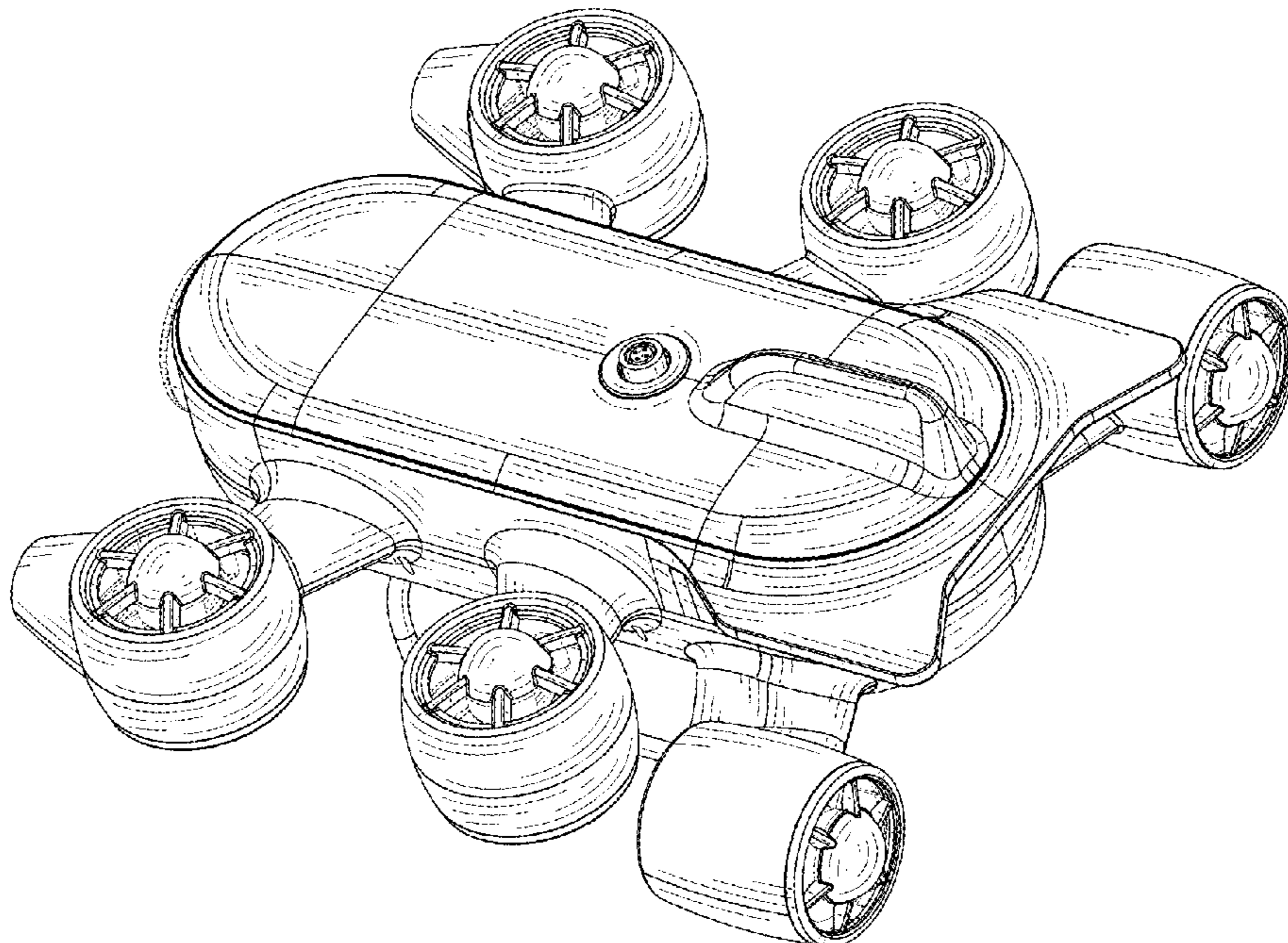
(57) **CLAIM**

The ornamental design for an underwater robot, as shown.

DESCRIPTION

FIG. 1 is a perspective view of an underwater robot showing our new design;
FIG. 2 is a front view thereof;
FIG. 3 is a rear view thereof;
FIG. 4 is a left view thereof;
FIG. 5 is a right view thereof;
FIG. 6 is a top view thereof; and,
FIG. 7 is a bottom view thereof.
The broken lines are for the purpose of illustrating portions of the article that form no part of the claim.

1 Claim, 5 Drawing Sheets



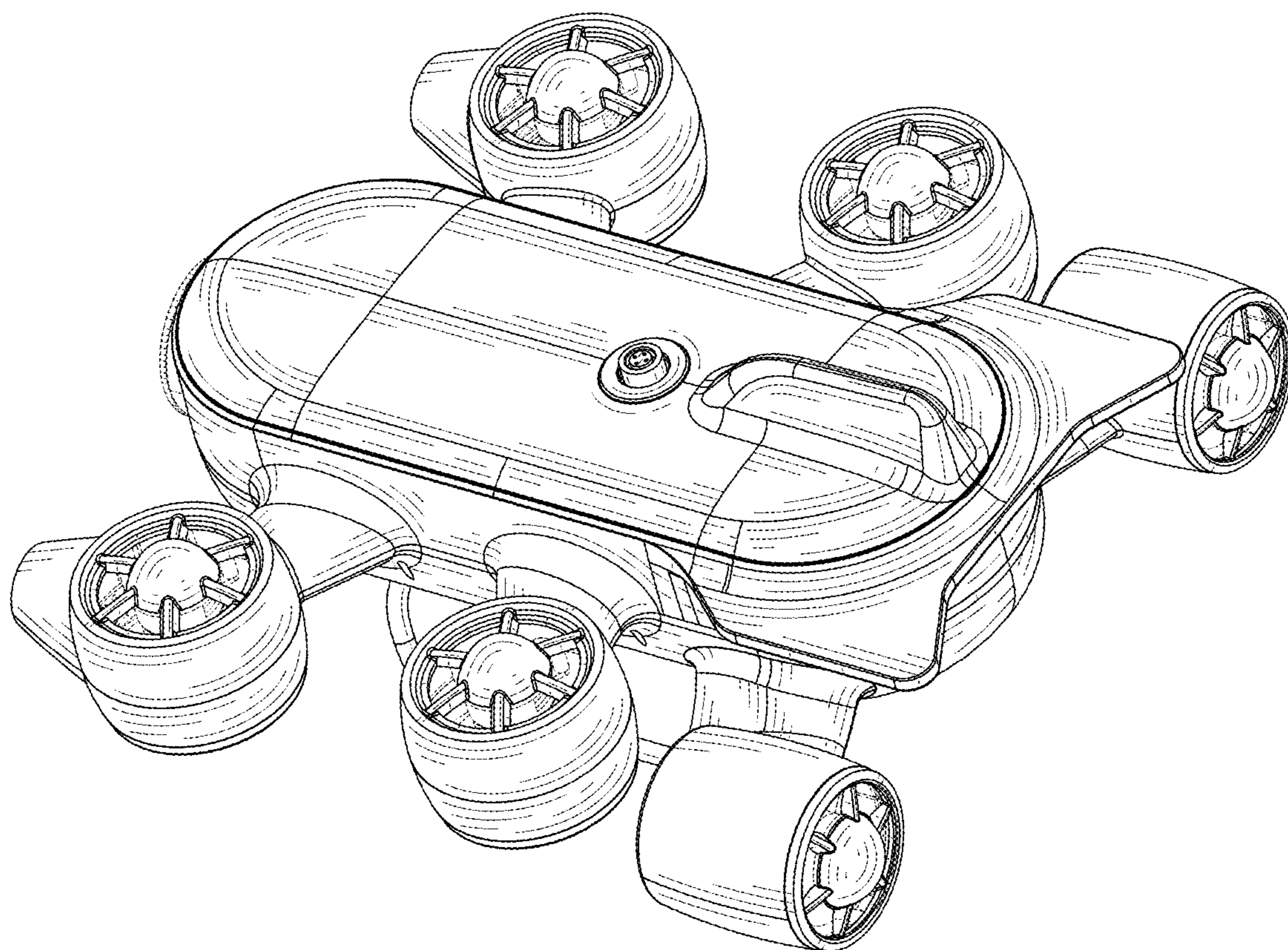


FIG. 1

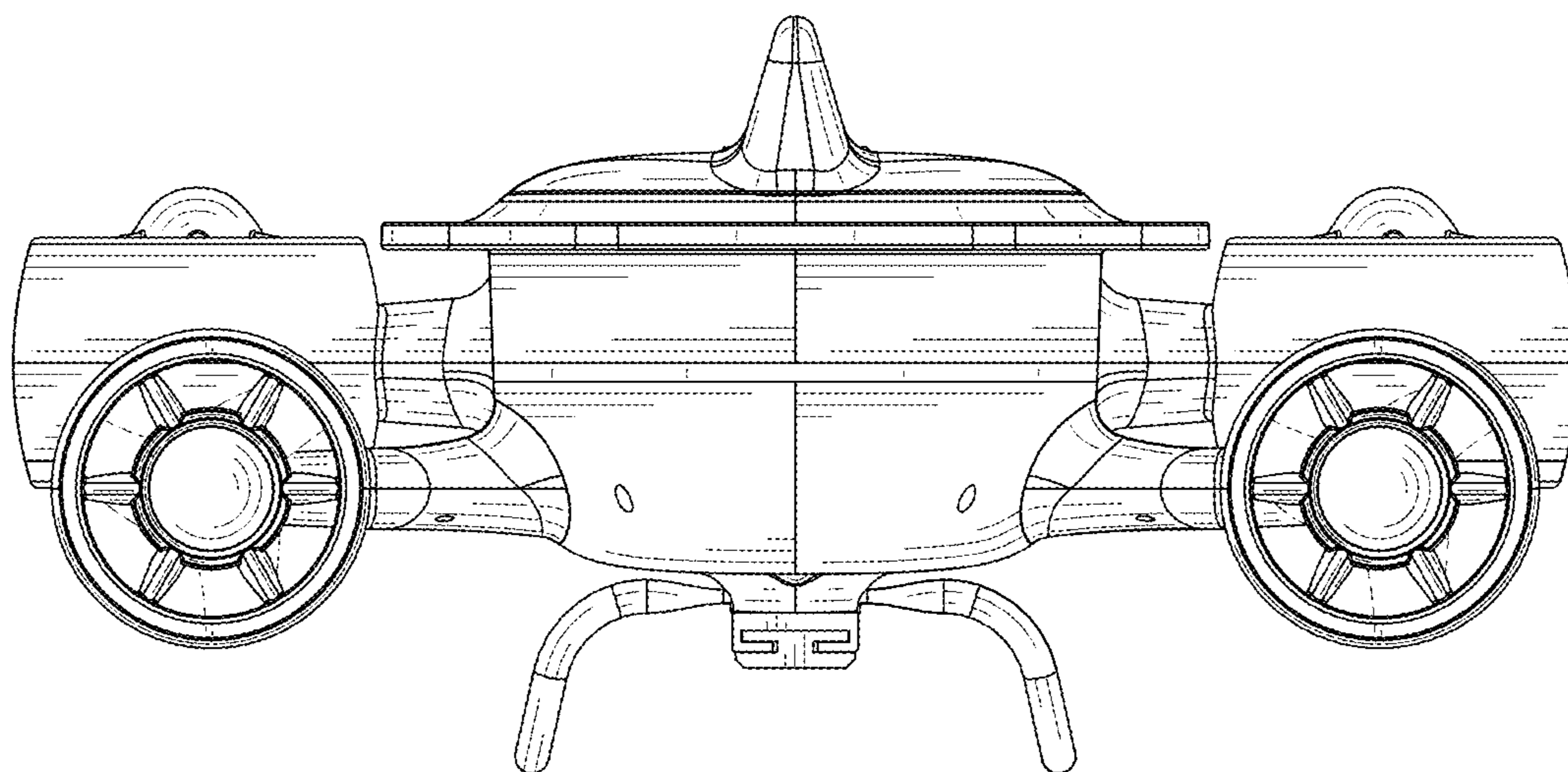


FIG. 2

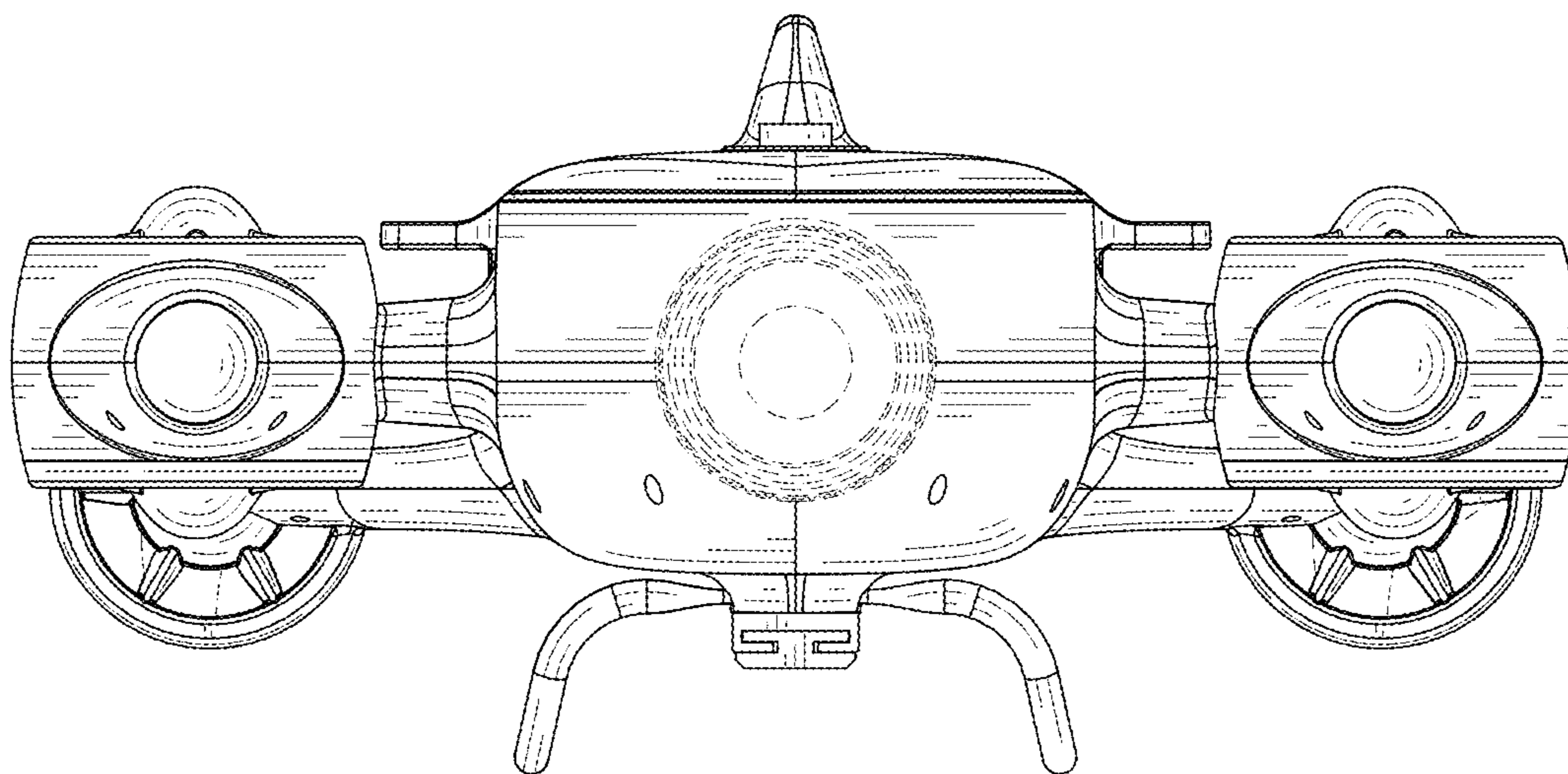


FIG. 3

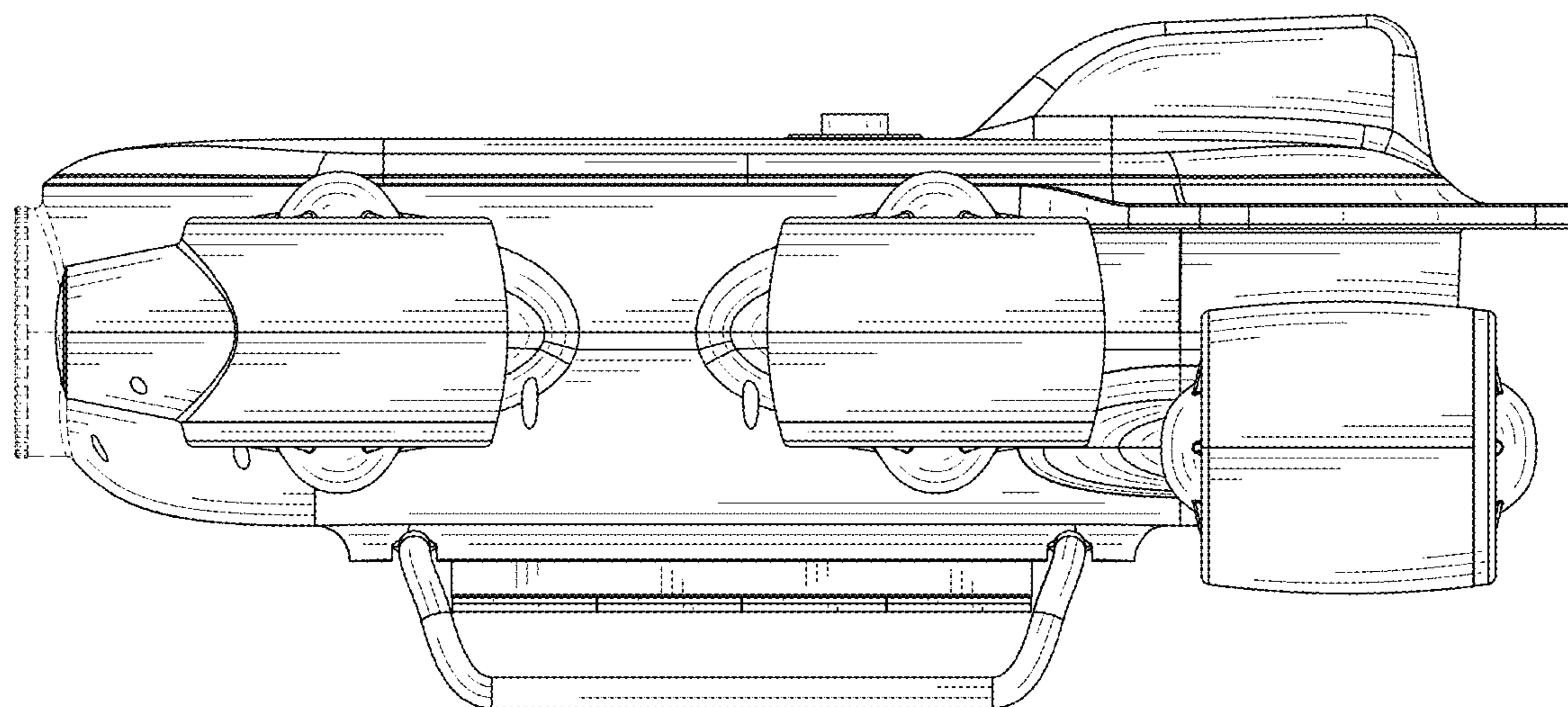


FIG. 4

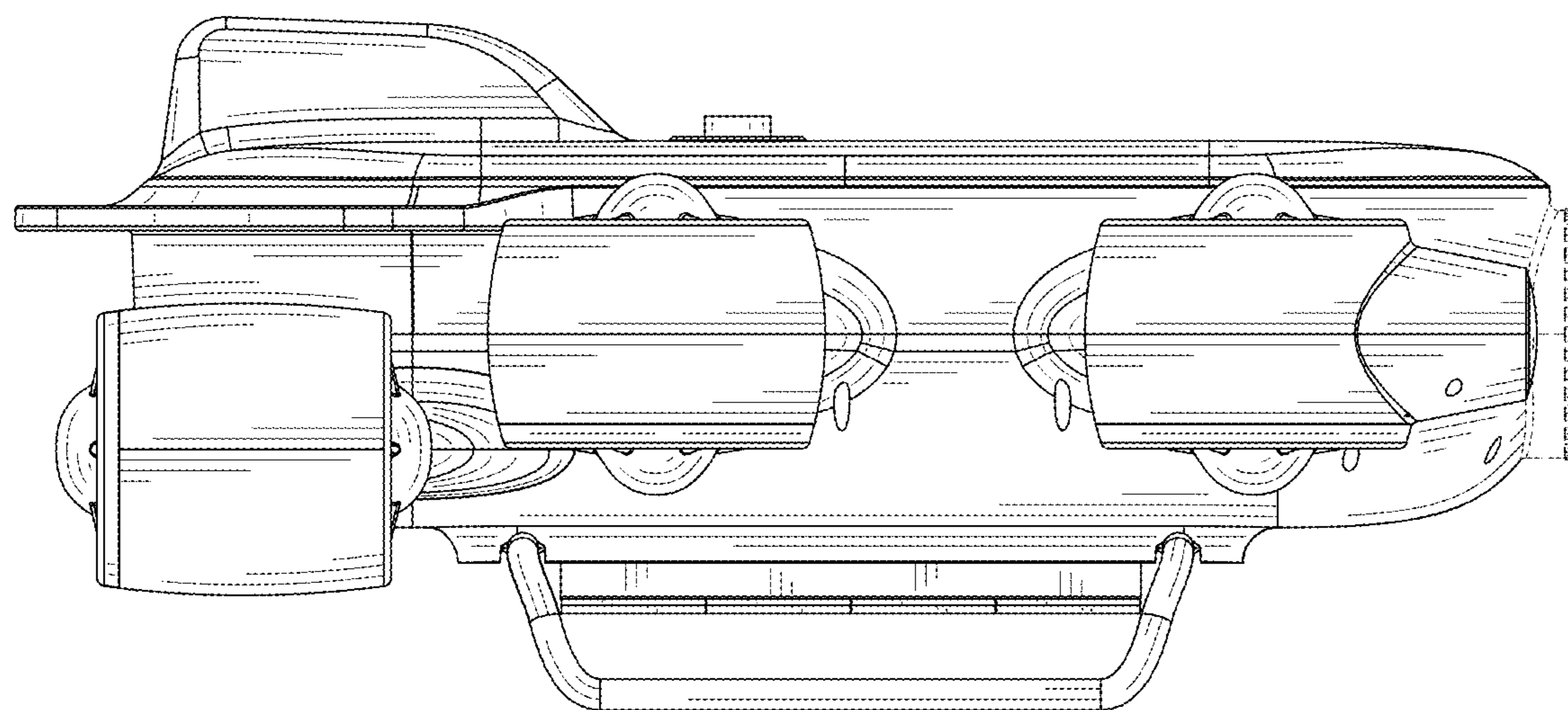


FIG. 5

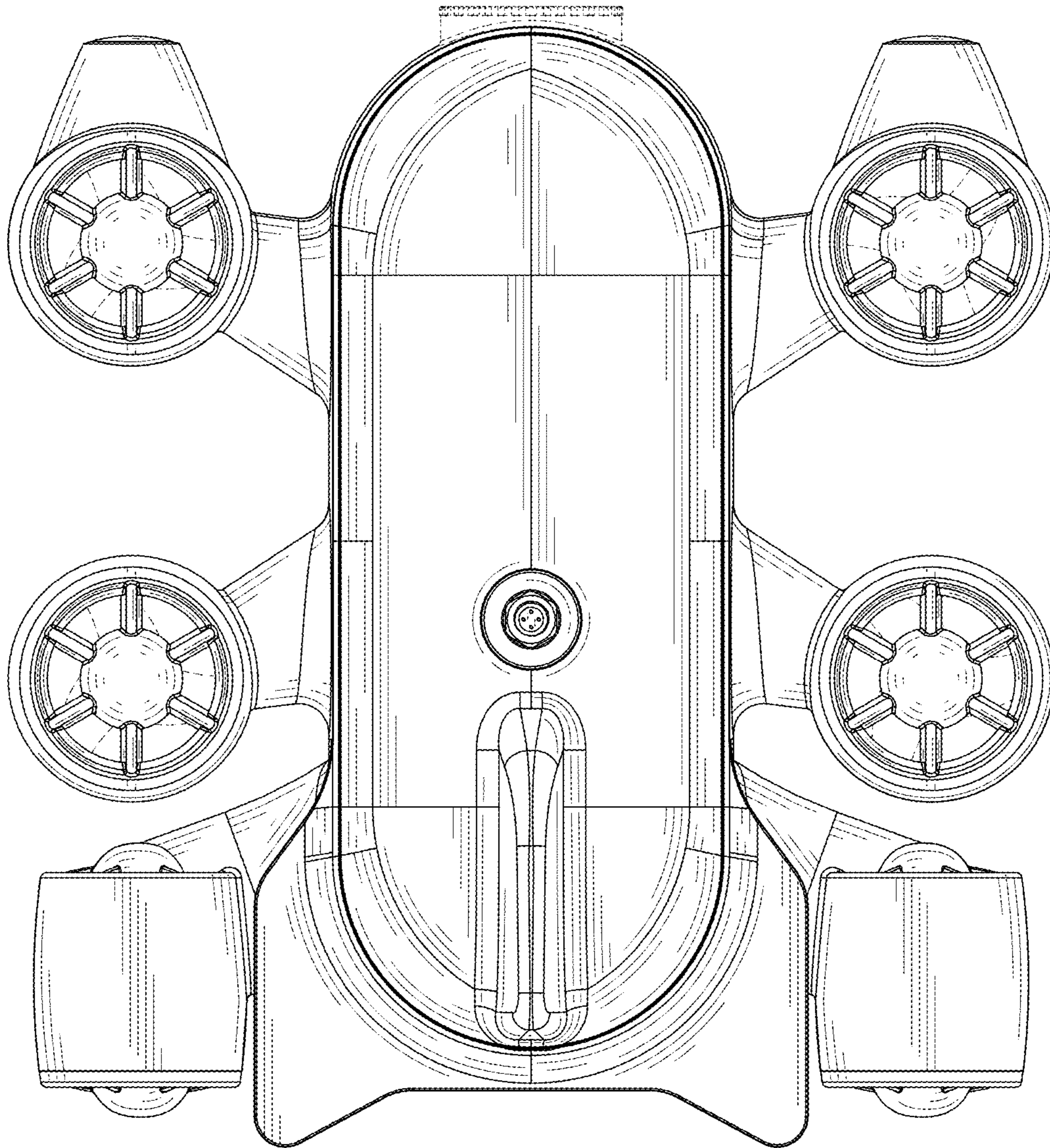


FIG. 6

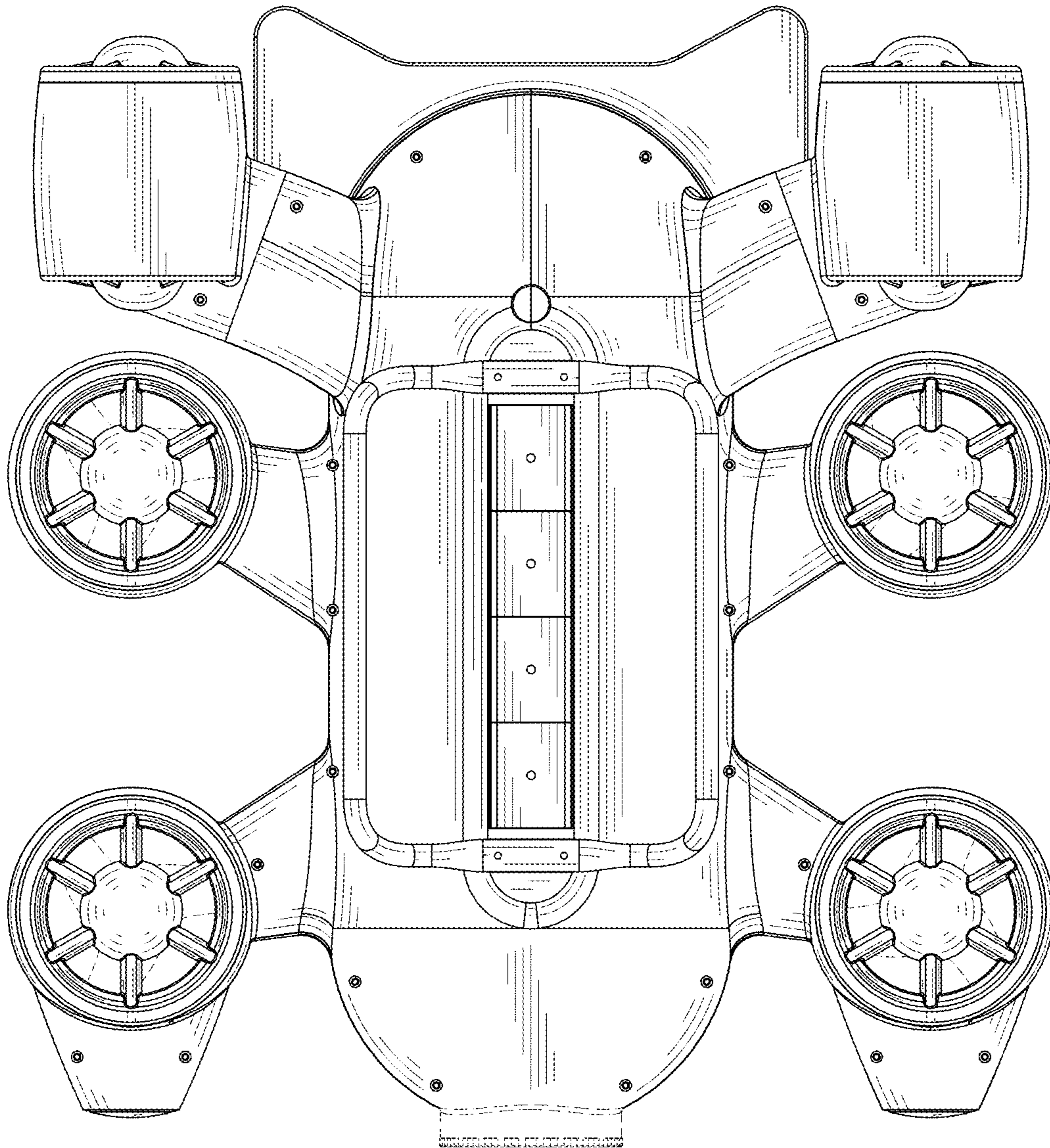


FIG. 7