



US00D869372S

(12) **United States Design Patent**
Yamamoto

(10) **Patent No.:** **US D869,372 S**

(45) **Date of Patent:** **** Dec. 10, 2019**

(54) **WATER SCOOTER**

(71) Applicant: **Yamaha Hatsudoki Kabushiki Kaisha,**
Shizuoka-ken (JP)

(72) Inventor: **Hisashi Yamamoto,** Kyoto (JP)

(73) Assignee: **YAMAHA HATSUDOKI**
KABUSHIKI KAISHA (JP)

(**) Term: **15 Years**

(21) Appl. No.: **29/630,029**

(22) Filed: **Dec. 19, 2017**

(51) **LOC (12) Cl.** **12-06**

(52) **U.S. Cl.**
USPC **D12/307**

(58) **Field of Classification Search**
USPC D12/307; 114/55.5, 55.51-55.58, 345
CPC B63B 35/73; B63B 35/731
See application file for complete search history.

(56) **References Cited**

U.S. PATENT DOCUMENTS

D569,330 S *	5/2008	Hattori	D12/307
D603,319 S *	11/2009	Cote	D12/307
D608,719 S *	1/2010	Cote	D12/307
D632,632 S *	2/2011	Cote	D12/307
8,505,475 B2 *	8/2013	Otsuka	B63B 49/00
				114/55.5
D721,634 S *	1/2015	Cote	D12/307

D749,033 S *	2/2016	Yamamoto	D12/307
D750,006 S *	2/2016	Yamamoto	D12/307
D817,849 S *	5/2018	Yamamoto	D12/307
10,011,327 B2 *	7/2018	Sato	B63B 25/002
2004/0007167 A1 *	1/2004	Cassell	B63B 17/00
				114/55.57
2009/0194010 A1 *	8/2009	Spade	B63B 35/731
				114/55.57

* cited by examiner

Primary Examiner — Cynthia M. Chin

(74) *Attorney, Agent, or Firm* — Ostrolenk Faber LLP

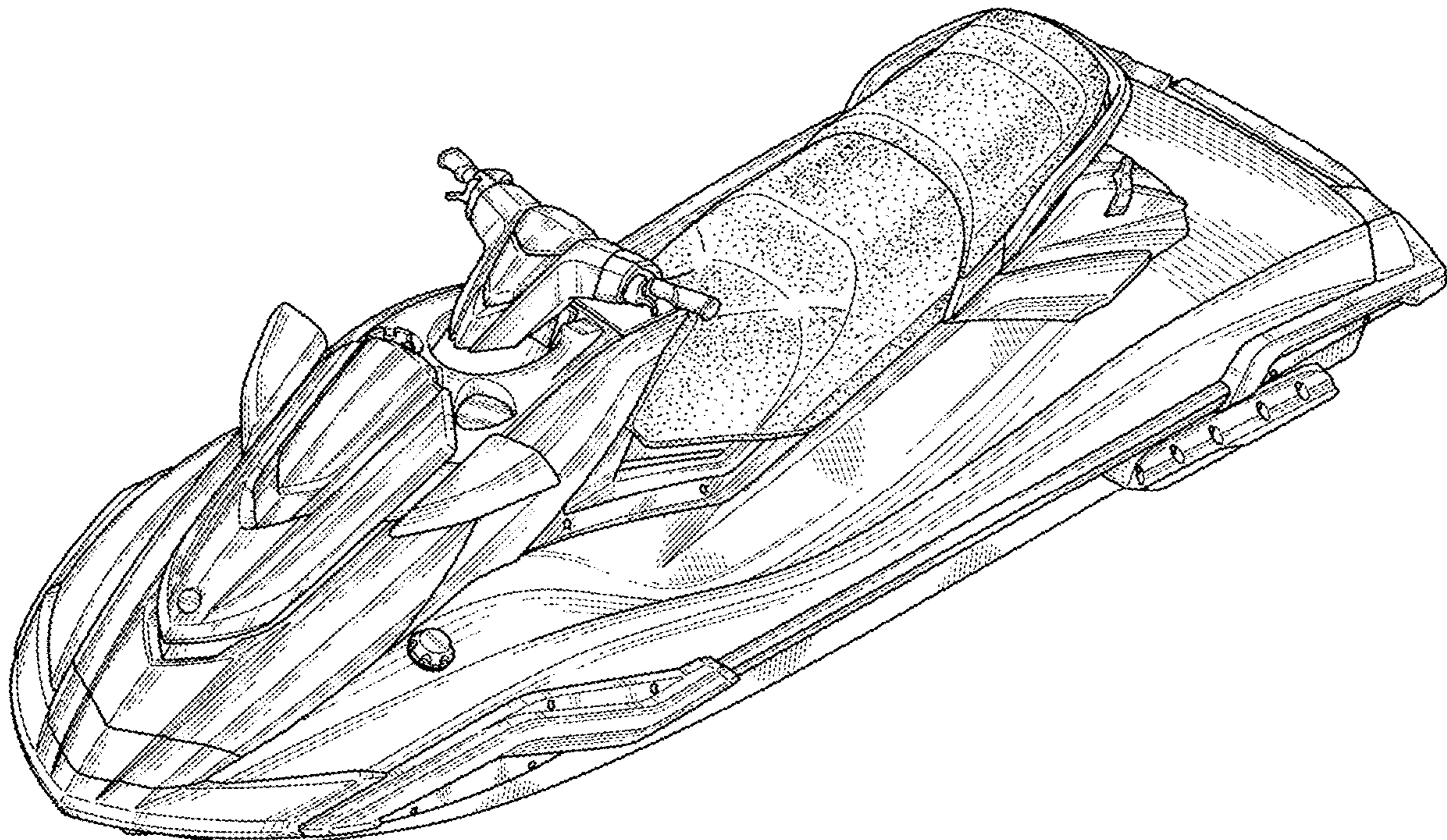
(57) **CLAIM**

The ornamental design for a water scooter, as shown and described.

DESCRIPTION

FIG. 1 is a first perspective view of a water scooter;
FIG. 2 is a second perspective view thereof;
FIG. 3 is a front view thereof;
FIG. 4 is a rear view thereof;
FIG. 5 is a left side view thereof;
FIG. 6 is a right side view thereof;
FIG. 7 is a top view thereof; and,
FIG. 8 is a bottom view thereof.
The broken lines are for the purpose of illustrating portions of the article that form no part of the claimed design.

1 Claim, 8 Drawing Sheets



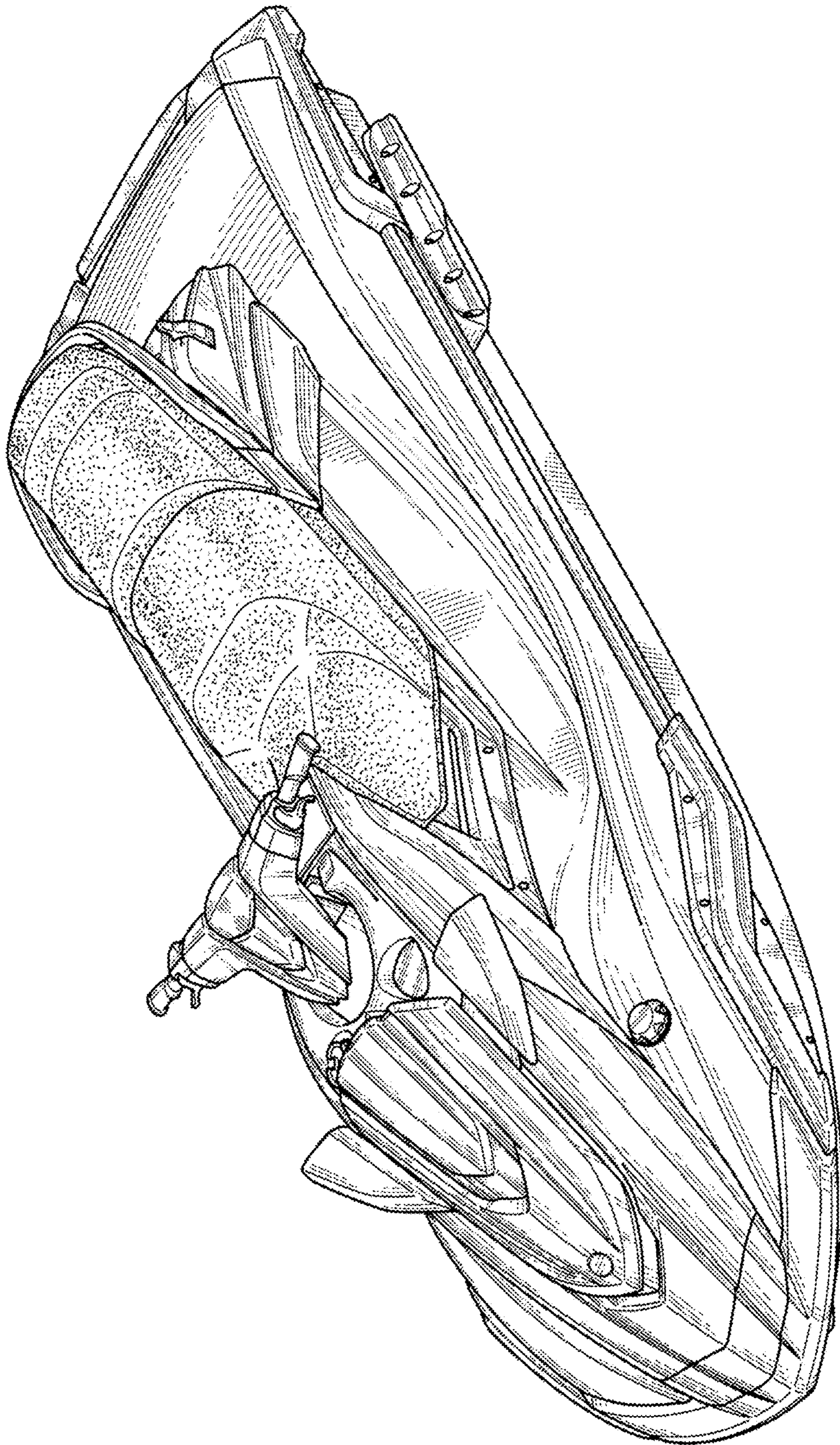


Fig. 1

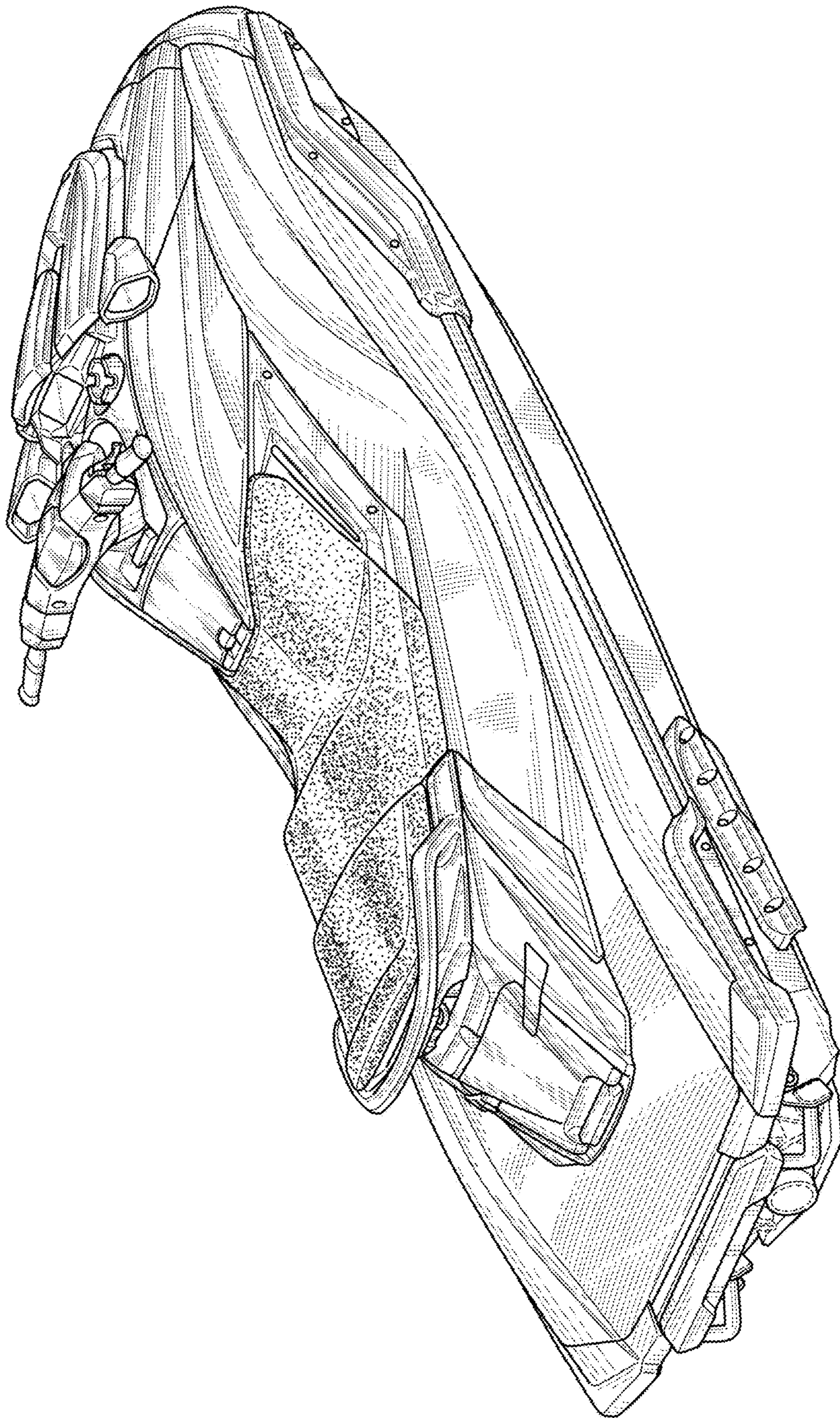


Fig. 2

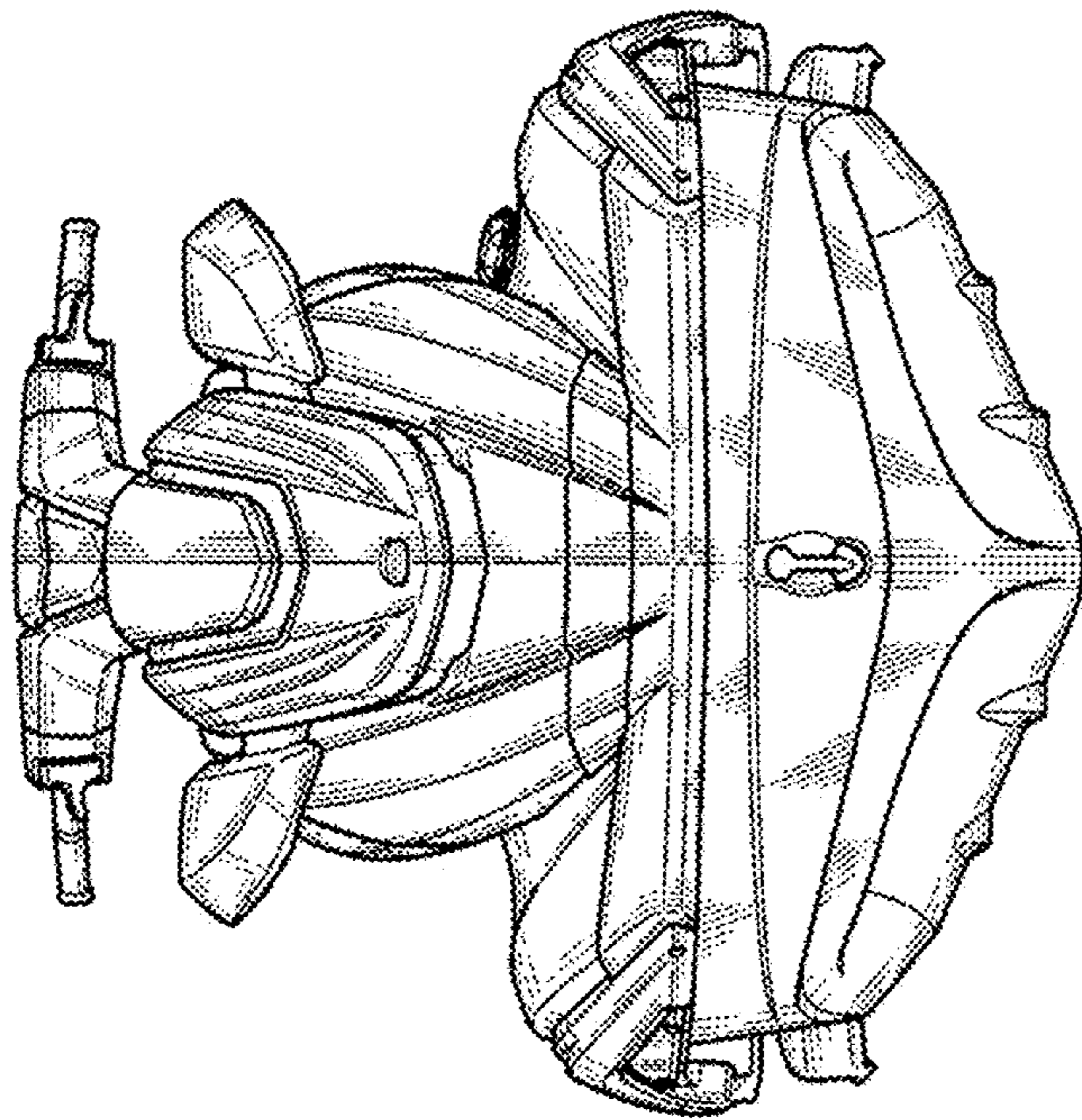


Fig. 3

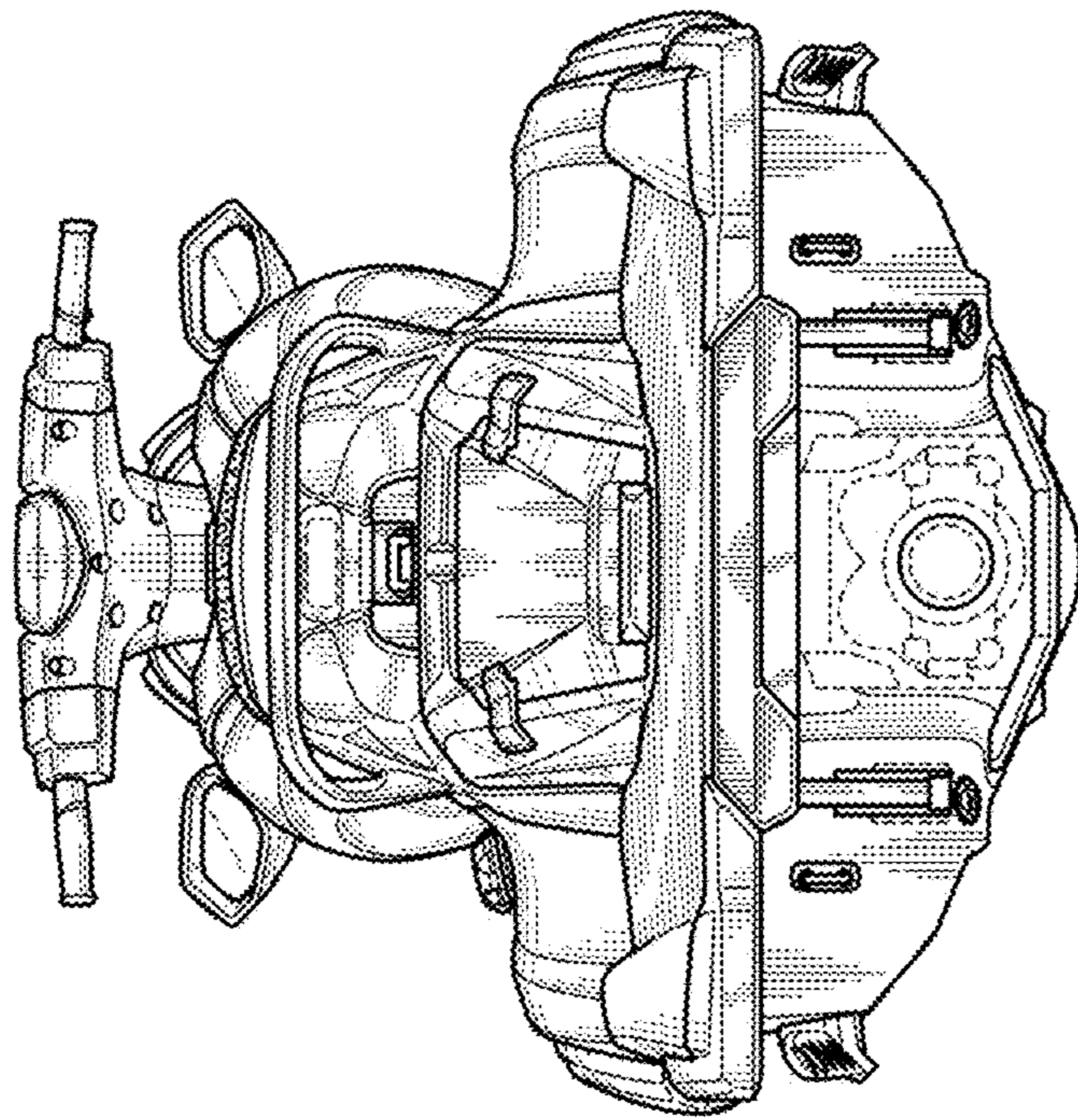


Fig. 4

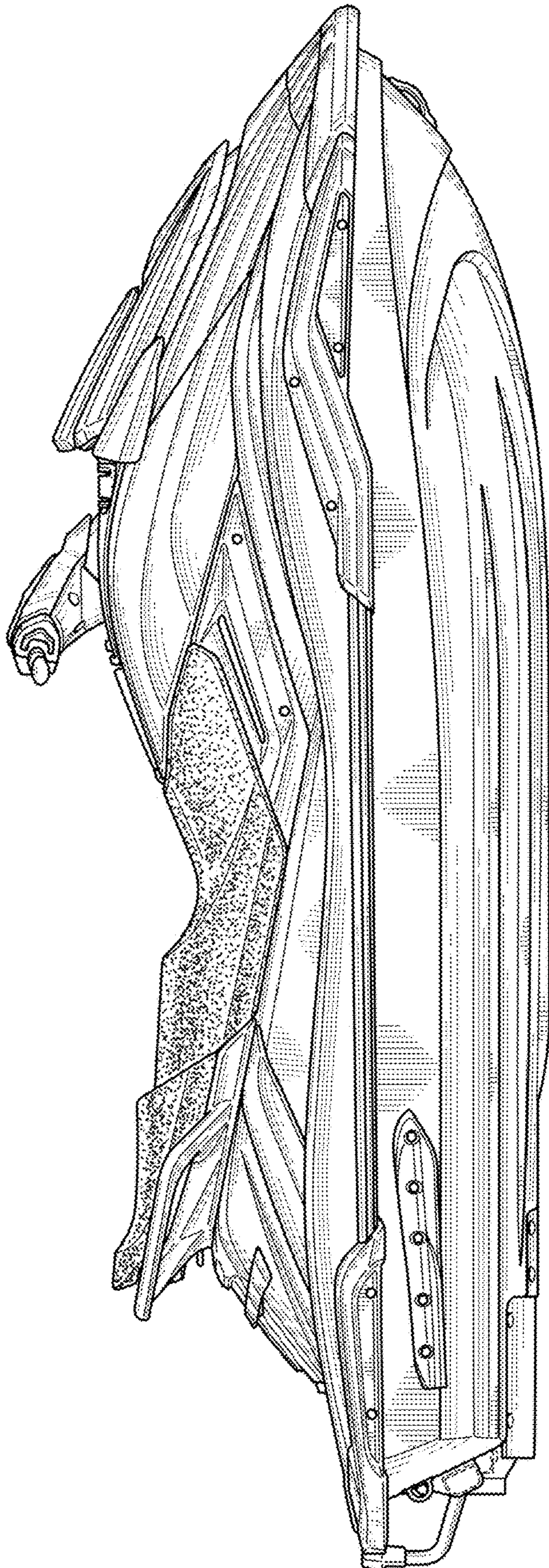


Fig. 5

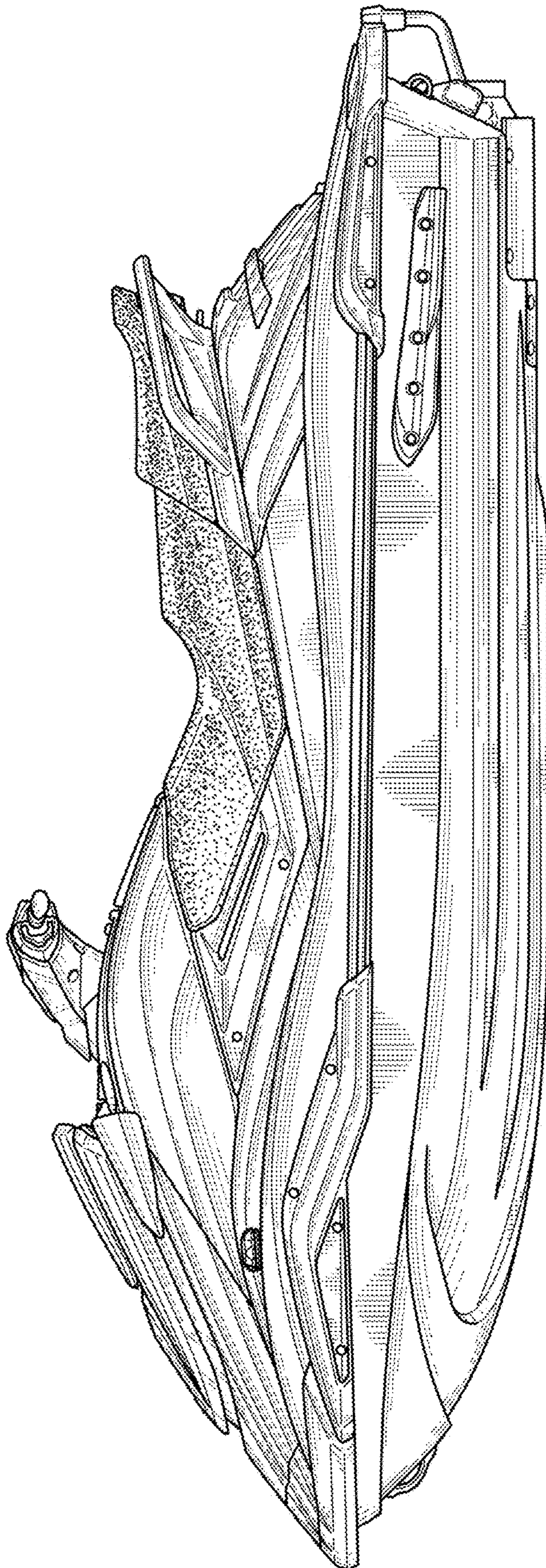


Fig. 6

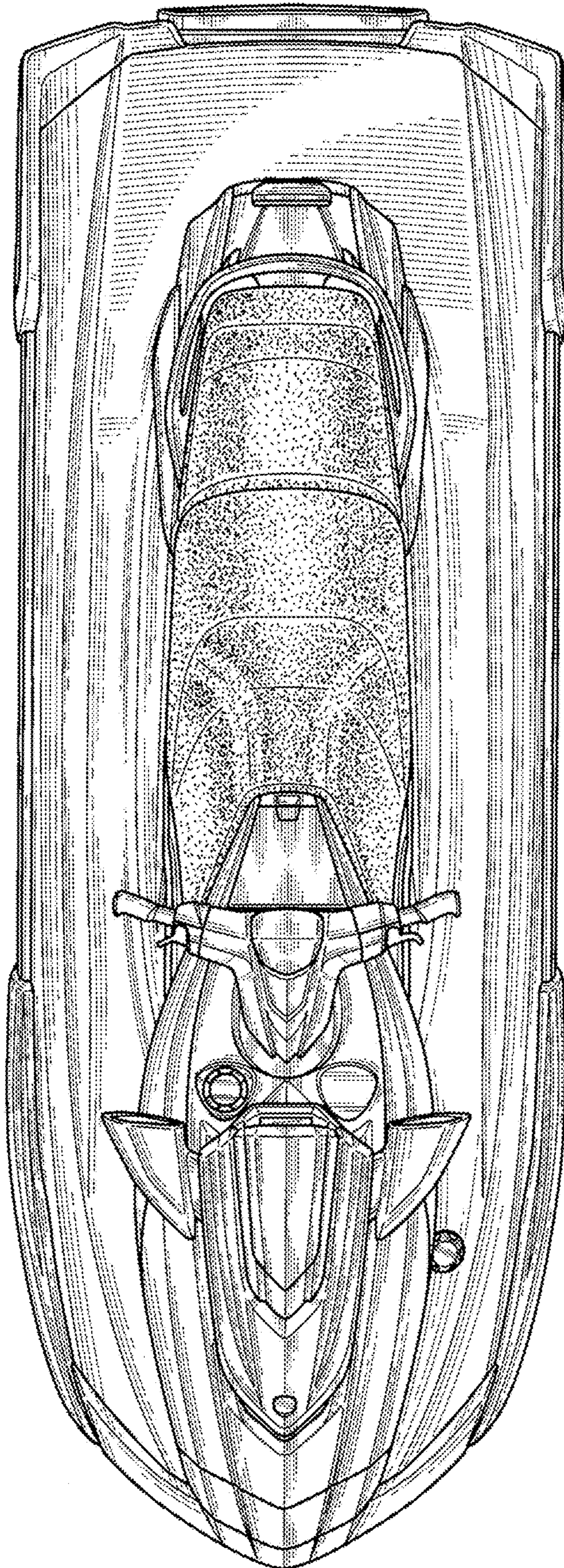


Fig. 7

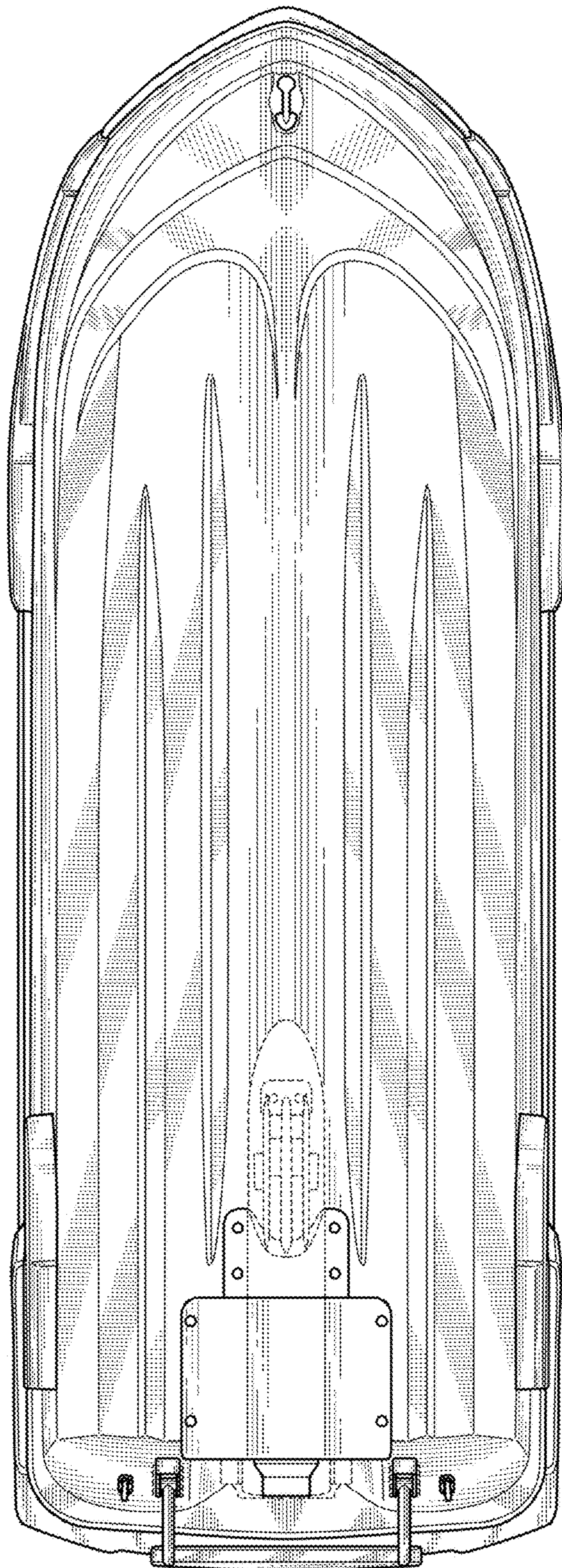


Fig. 8