



US00D869371S

(12) **United States Design Patent**
Dane

(10) **Patent No.:** **US D869,371 S**

(45) **Date of Patent:** **** Dec. 10, 2019**

(54) **SAILING VESSEL**

(71) Applicant: **SOLAR SAILOR PTY LTD**, Sydney (AU)

(72) Inventor: **Robert A. W. Dane**, Sydney (AU)

(73) Assignee: **SOLAR SAILOR PTY LTD**, Sydney (AU)

(**) Term: **15 Years**

(21) Appl. No.: **29/625,014**

(22) Filed: **Nov. 6, 2017**

(51) **LOC (12) Cl.** **12-06**

(52) **U.S. Cl.**
USPC **D12/303; D12/317**

(58) **Field of Classification Search**
USPC **D12/300, 303, 317, 318**
CPC **B63B 2035/006; B63B 2035/007; B63B 2035/008; B63H 9/02; B63H 9/04; B63H 9/0621; B63H 9/0635; G05D 1/00; G05D 1/0206**

See application file for complete search history.

(56) **References Cited**

U.S. PATENT DOCUMENTS

5,236,378	A *	8/1993	Newman	B60L 8/00 114/95
6,273,015	B1 *	8/2001	Motsenbocker	B63B 1/107 114/61.12
6,854,406	B2 *	2/2005	Cardoza	B63B 22/18 114/144 RE

(Continued)

OTHER PUBLICATIONS

YouTube Video available at <https://www.youtube.com/watch?v=iE6Eb-Bjyvw&t=10s>, uploaded on Feb. 2, 2017.

(Continued)

Primary Examiner — Cynthia M. Chin

(74) *Attorney, Agent, or Firm* — Young Law Firm, P.C.

(57) **CLAIM**

The ornamental design for a sailing vessel, as shown and described.

DESCRIPTION

FIG. 1 is a front perspective view of a sailing vessel with the sail in a stowed configuration.

FIG. 2 is a front perspective view of the sailing vessel of FIG. 1 with the sail in a deployed configuration.

FIG. 3 is a rear perspective view of the sailing vessel of FIG. 1 with the sail in a stowed configuration.

FIG. 4 is a rear perspective view of the sailing vessel of FIG. 1 with the sail in a deployed configuration.

FIG. 5 is a right-hand side view of the sailing vessel of FIG. 1 with the sail in a stowed configuration.

FIG. 6 is a right-hand side view of the sailing vessel of FIG. 1 with the sail in a deployed configuration.

FIG. 7 is a left-hand side view of the sailing vessel of FIG. 1 with the sail in a stowed configuration.

FIG. 8 is a left-hand side view of the sailing vessel of FIG. 1 with the sail in a deployed configuration.

FIG. 9 is a front view of the sailing vessel of FIG. 1 with the sail in a stowed configuration.

FIG. 10 is a rear view of the sailing vessel of FIG. 1 with the sail in a stowed configuration.

FIG. 11 is a front view of the sailing vessel of FIG. 1 with the sail in a deployed configuration.

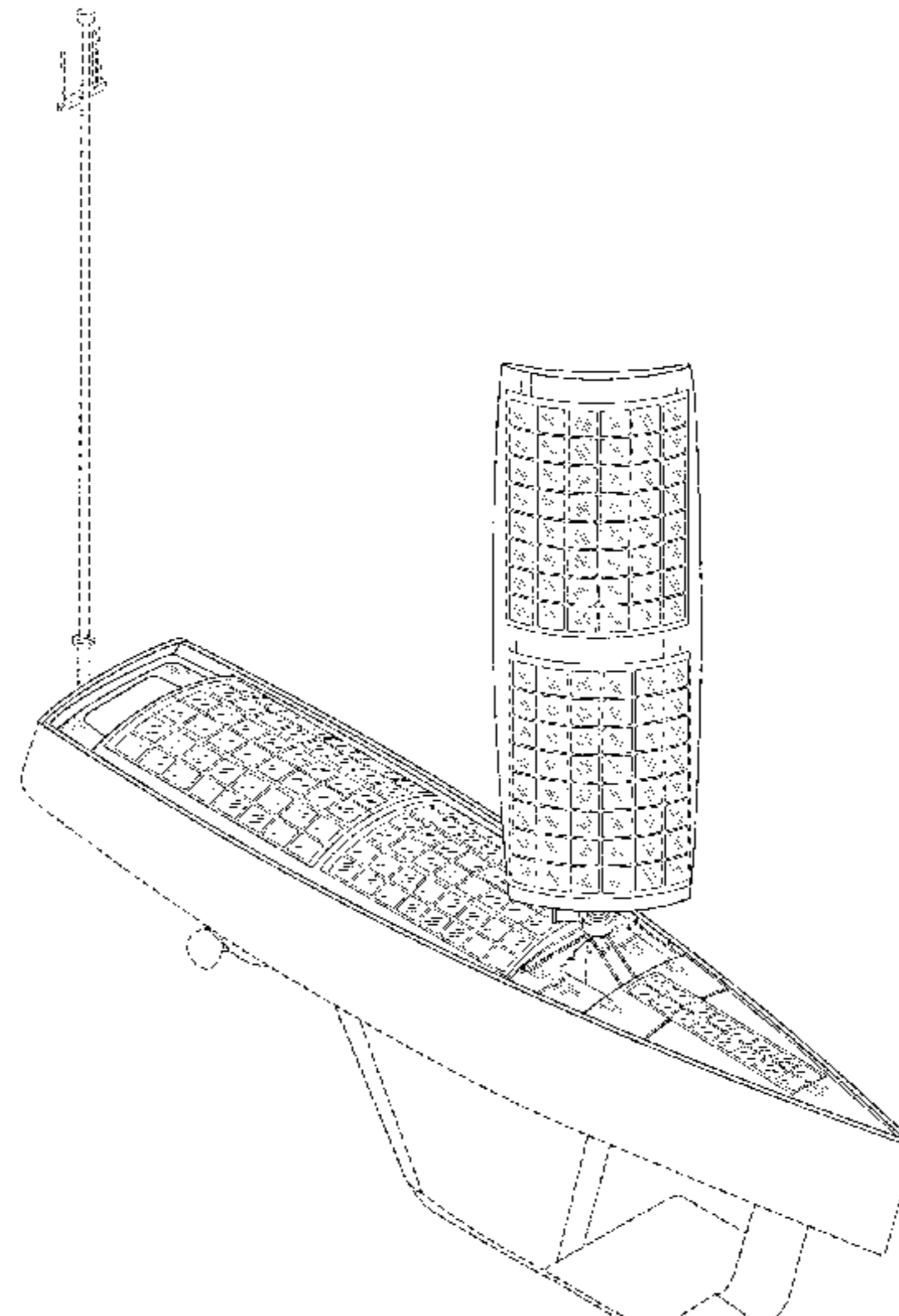
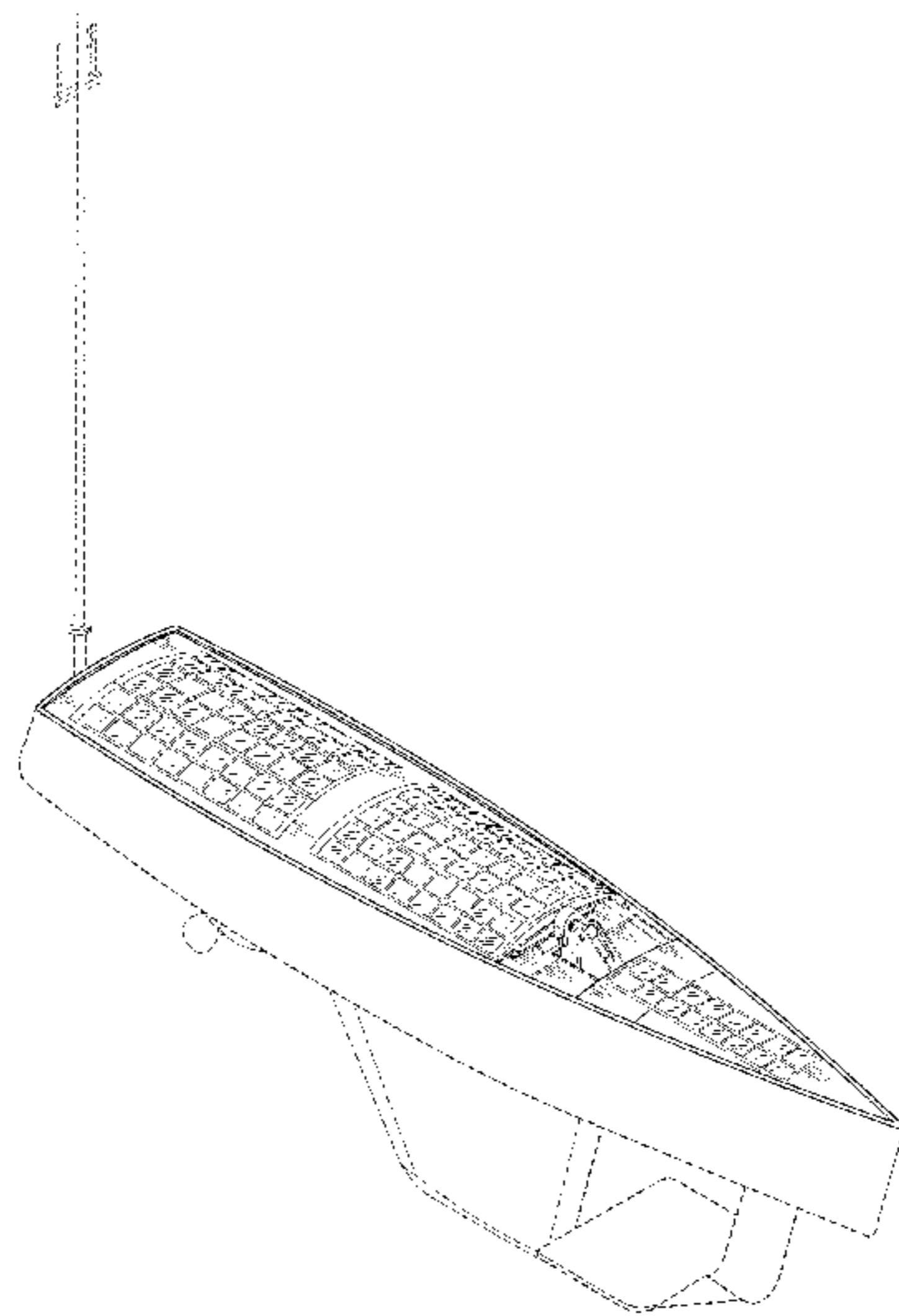
FIG. 12 is a rear view of the sailing vessel of FIG. 1 with the sail in a deployed configuration.

FIG. 13 is a top plan view of the sailing vessel of FIG. 1 with the sail in a stowed configuration; and,

FIG. 14 is a top plan view of the sailing vessel of FIG. 1 with the sail in a deployed configuration.

The broken lines are for the purpose of illustrating portions of the article that form no part of the claimed design.

1 Claim, 12 Drawing Sheets



(56)

References Cited

U.S. PATENT DOCUMENTS

7,789,723 B2 * 9/2010 Dane B63B 35/00
440/6
9,003,986 B2 * 4/2015 Jenkins B63B 9/02
114/39.23
2014/0261126 A1 * 9/2014 Jenkins B63B 9/02
114/39.23
2016/0147223 A1 * 5/2016 Edwards G05D 1/0027
701/2

OTHER PUBLICATIONS

YouTube Video available at <https://www.youtube.com/watch?v=DYb19kla12s>, uploaded on Mar. 9, 2017.

* cited by examiner

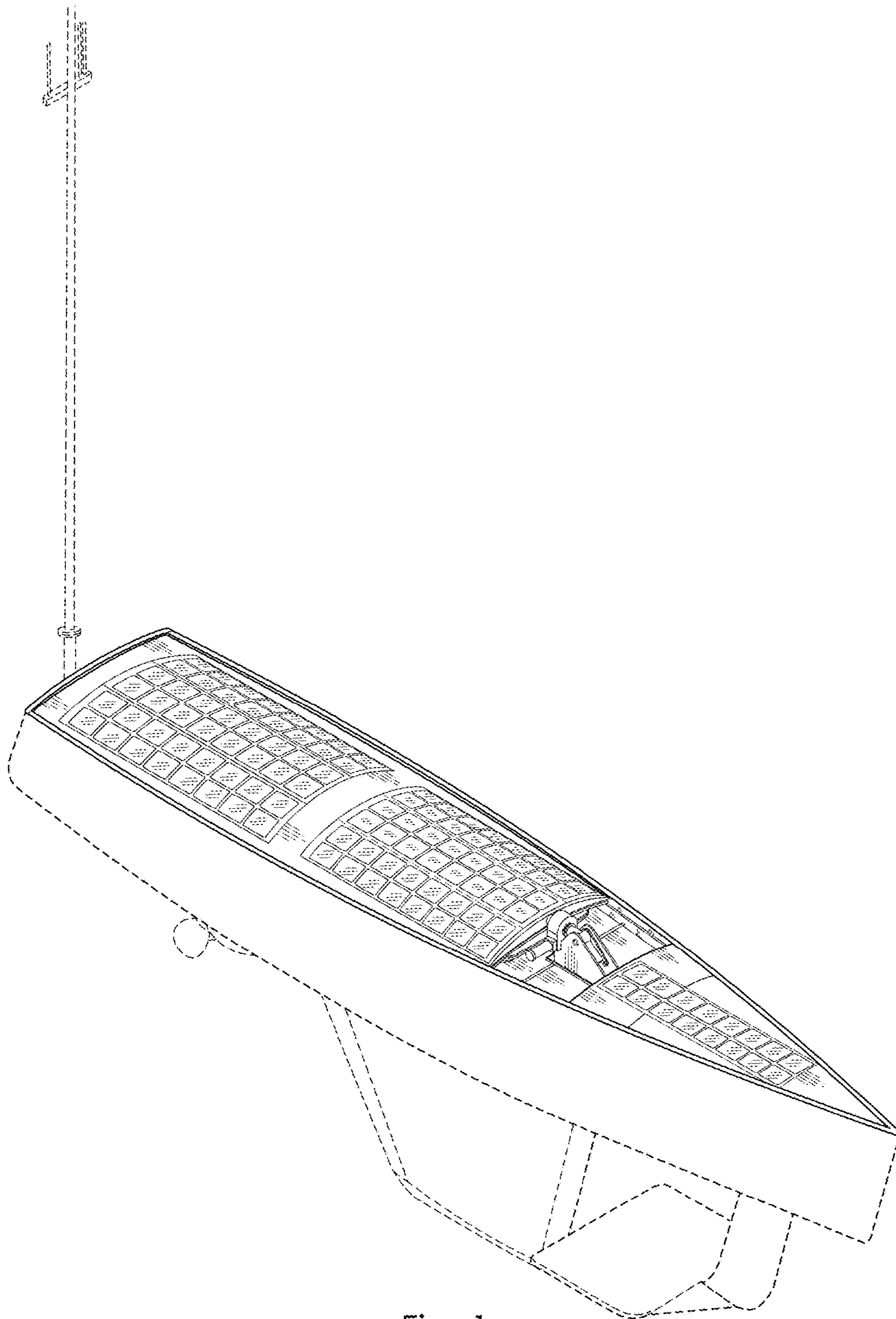


Fig. 1

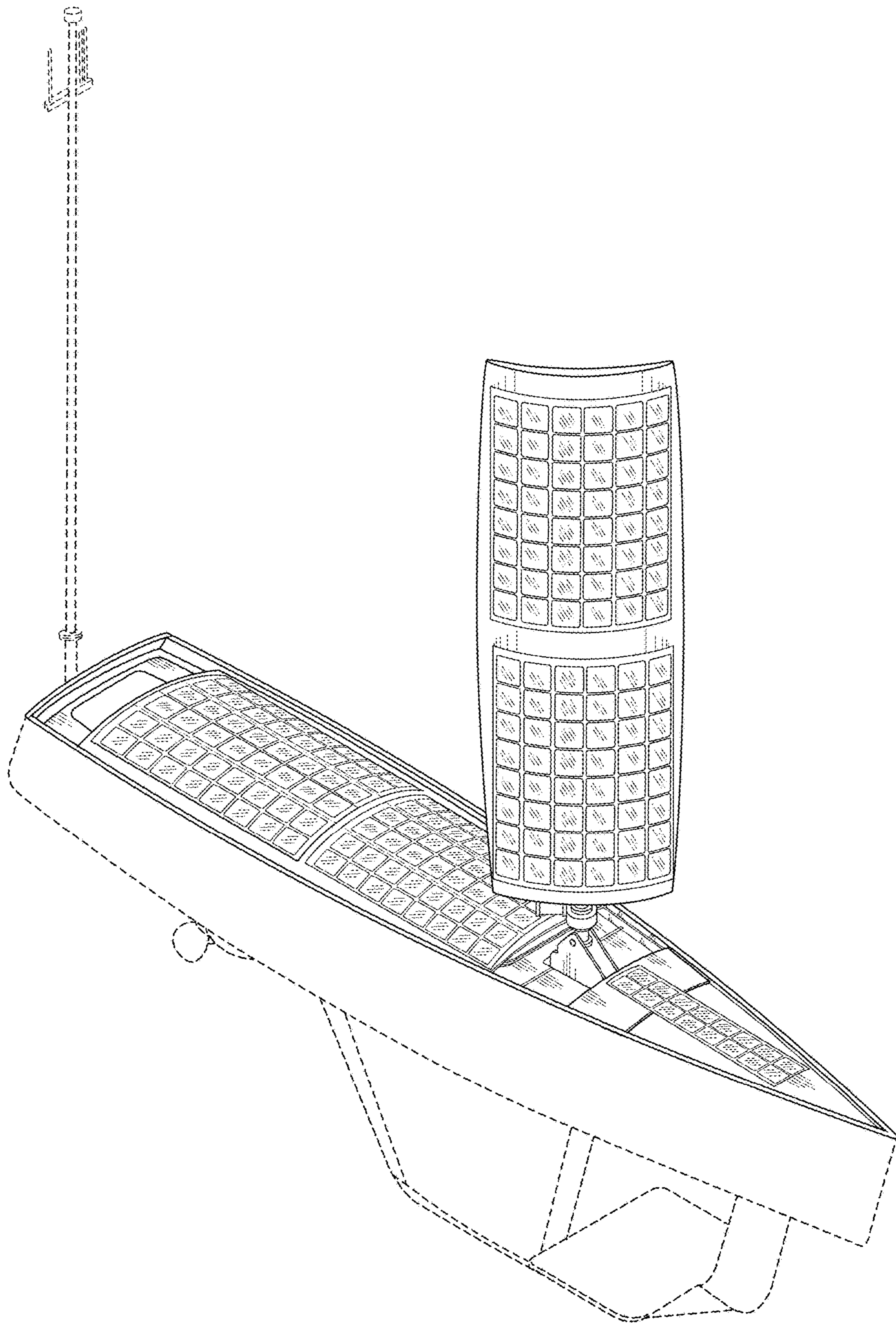


Fig. 2

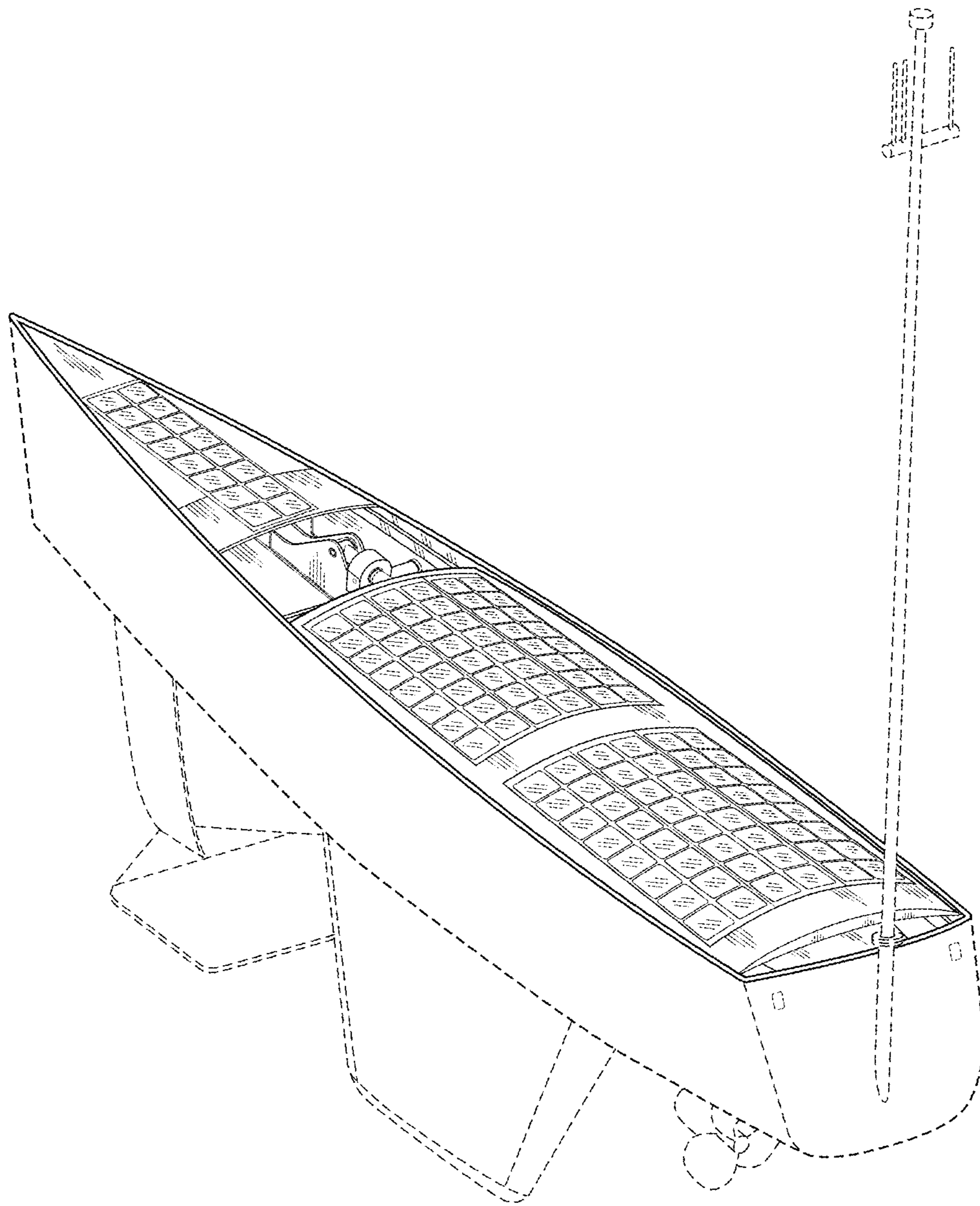


Fig. 3

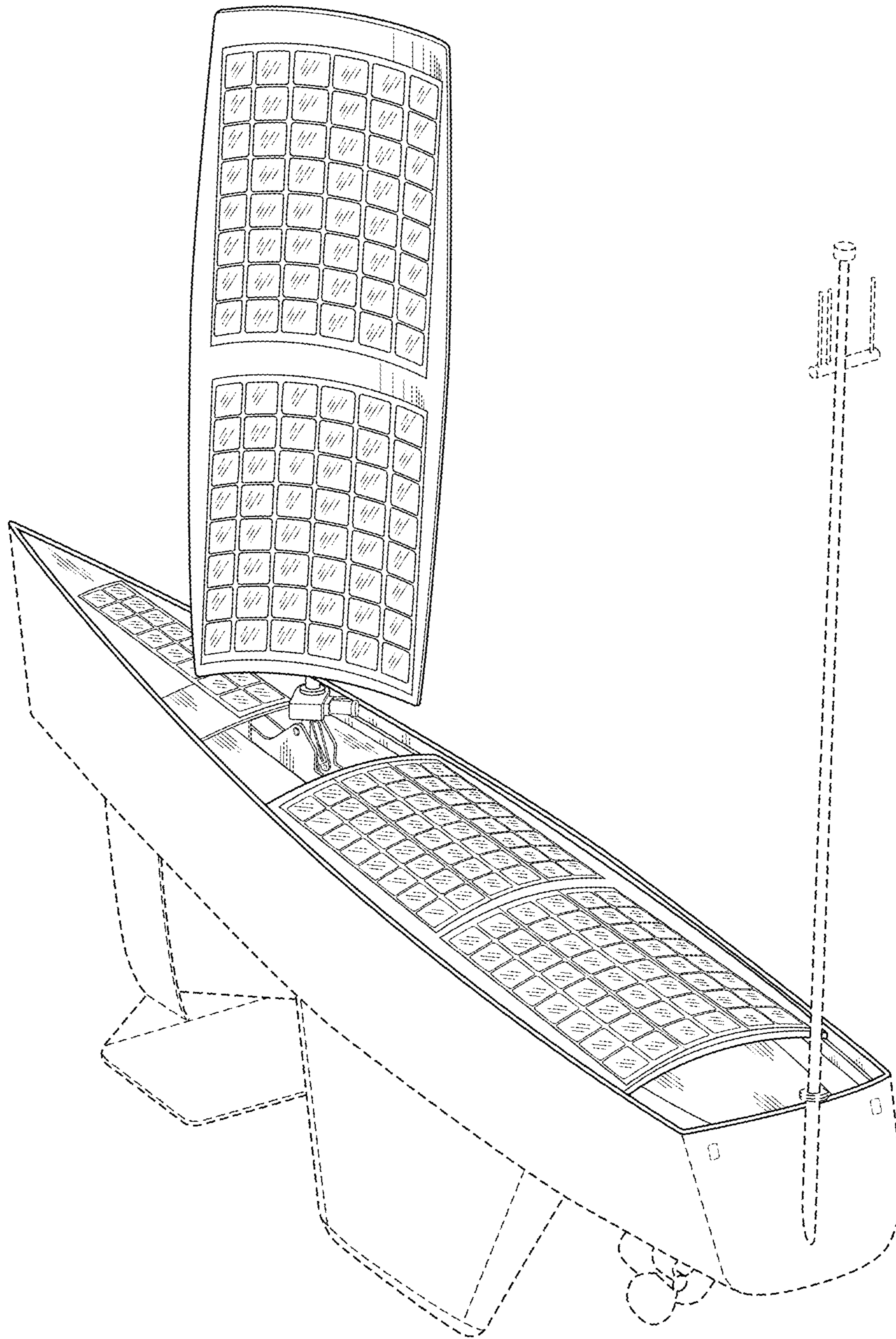


Fig. 4

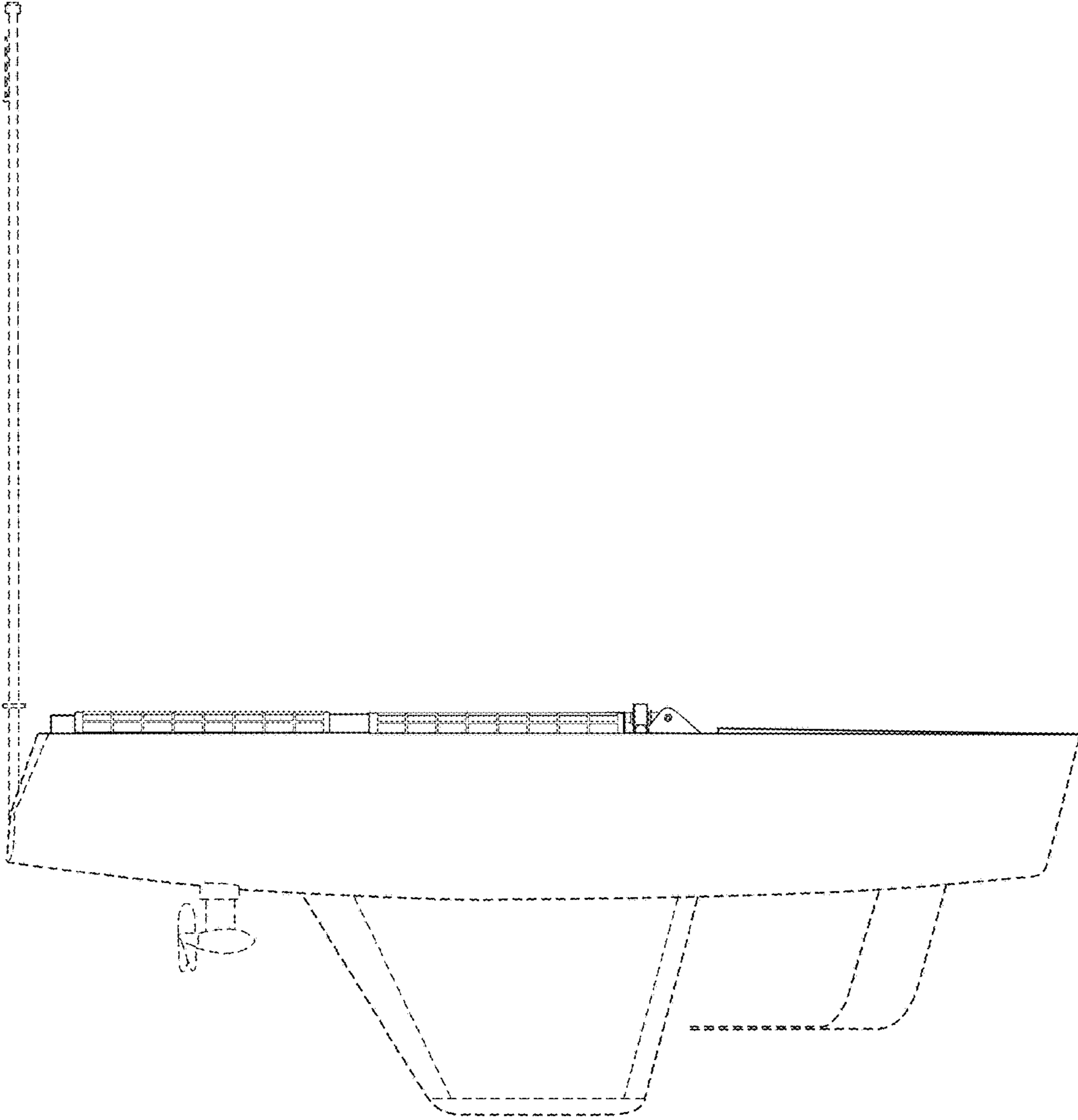


Fig. 5

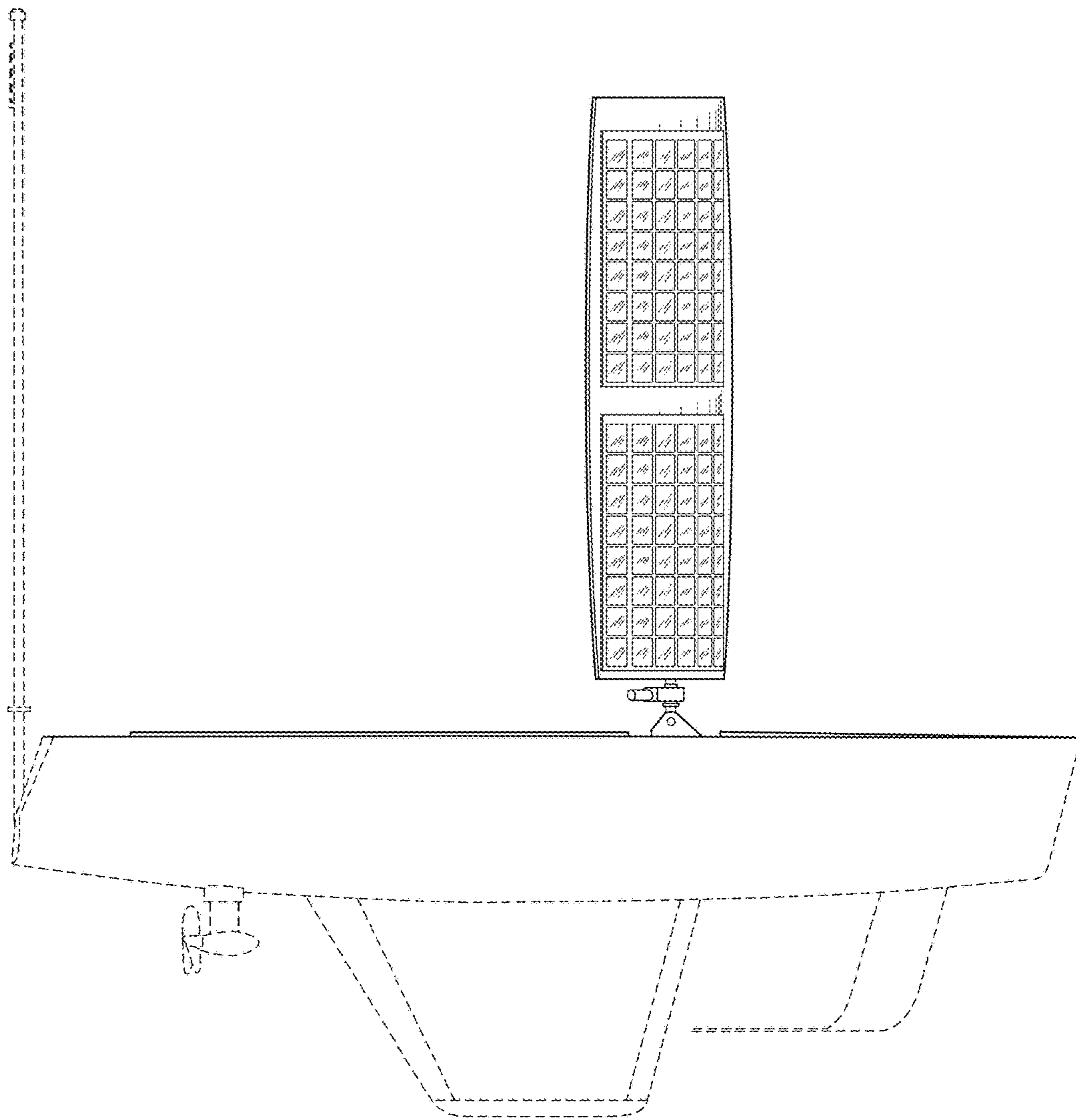


Fig. 6

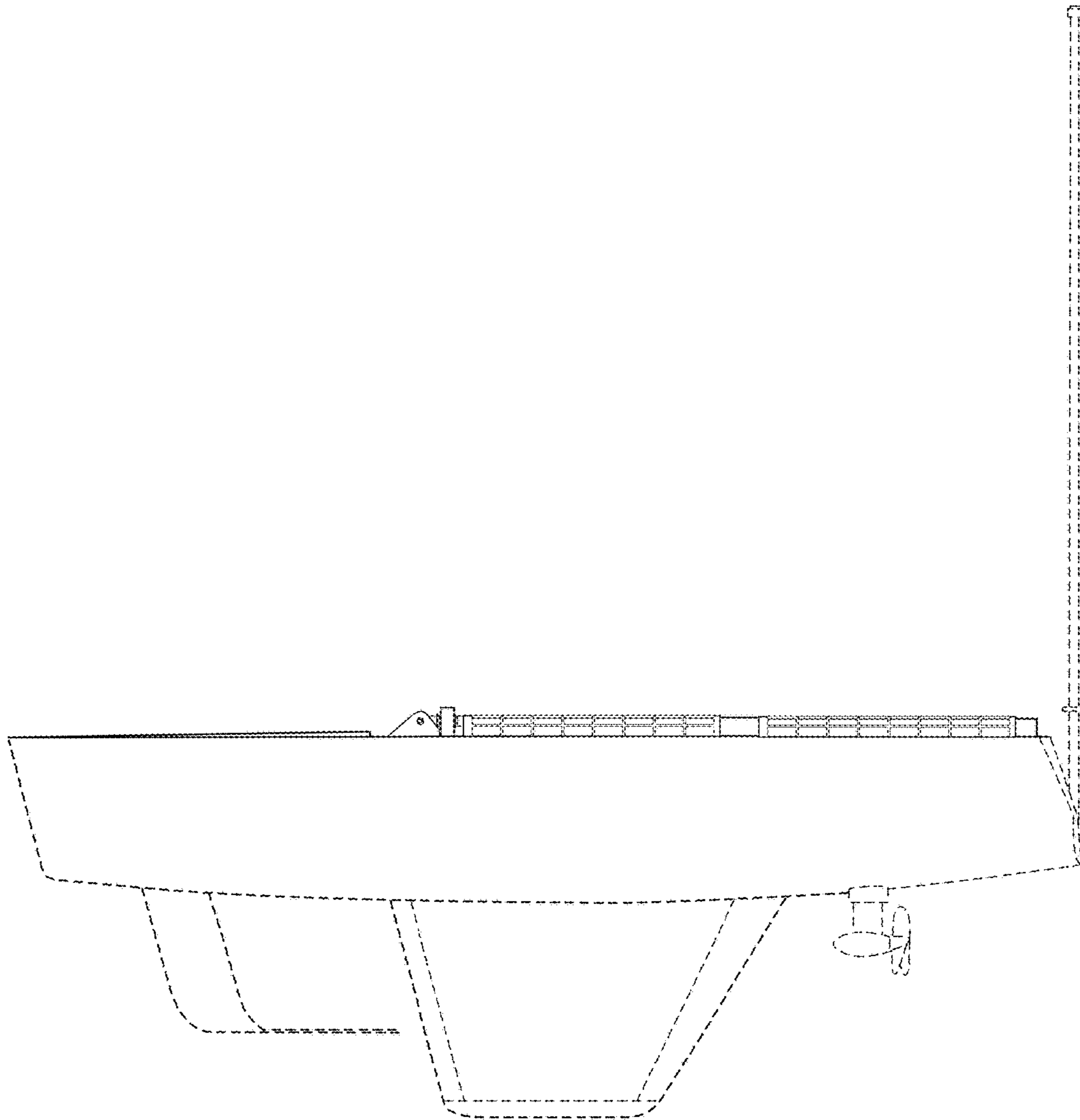


Fig. 7

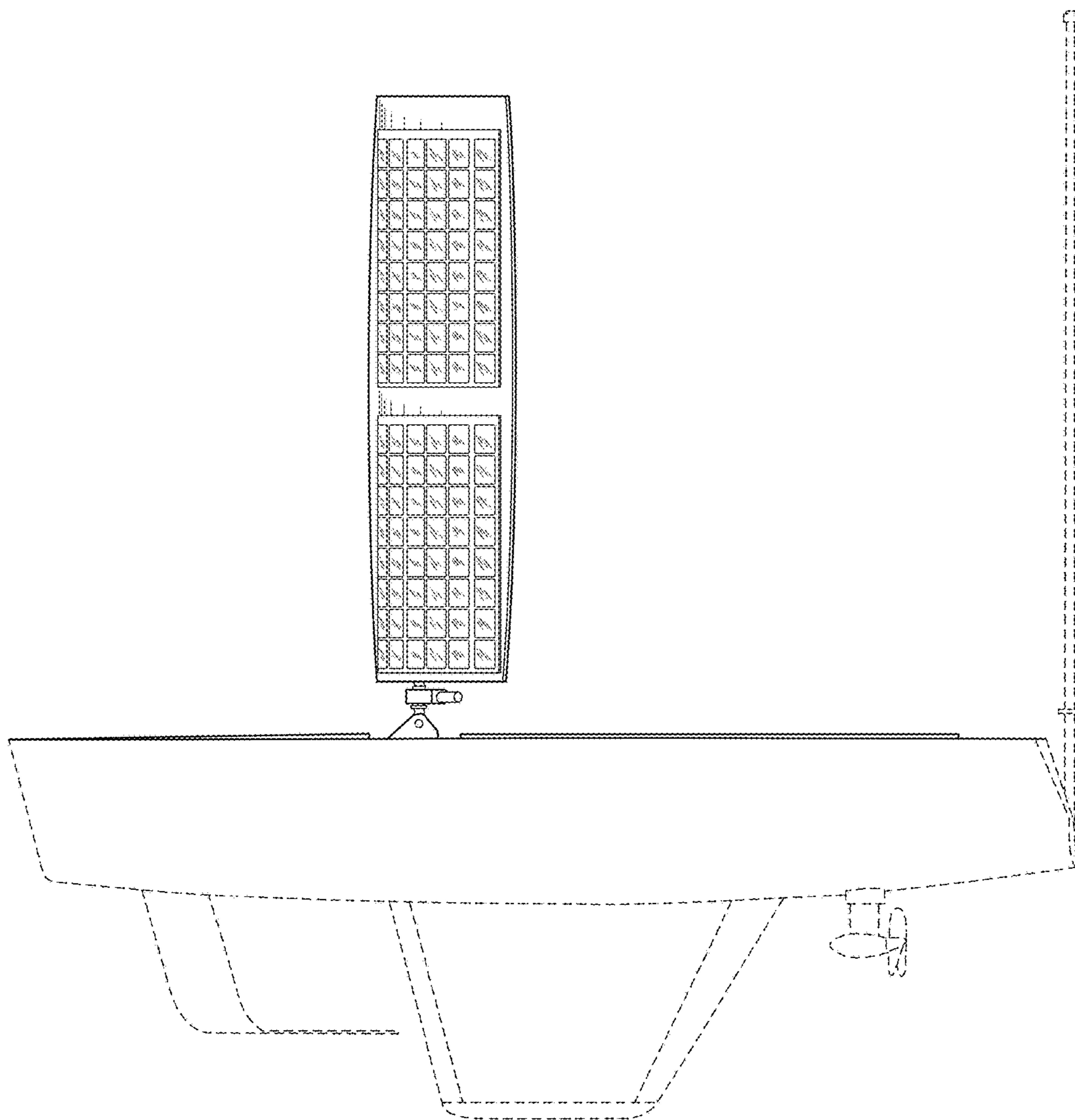


Fig. 8

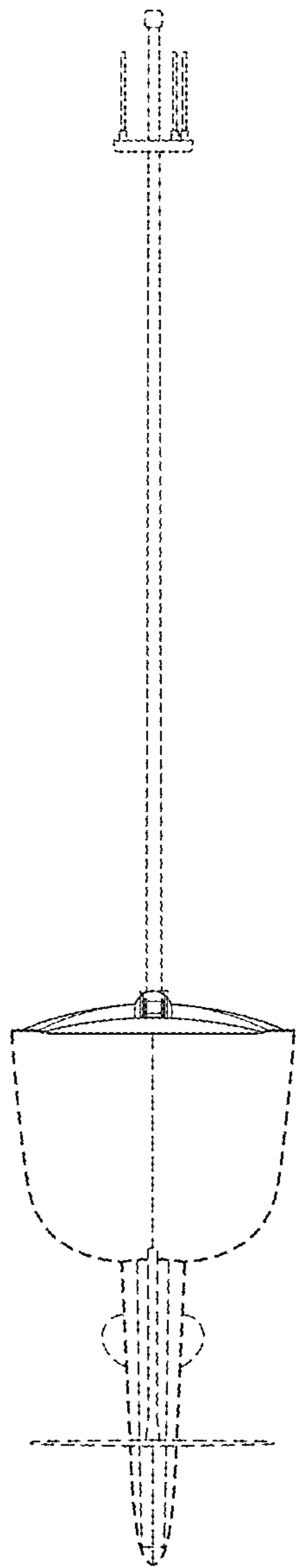


Fig. 9

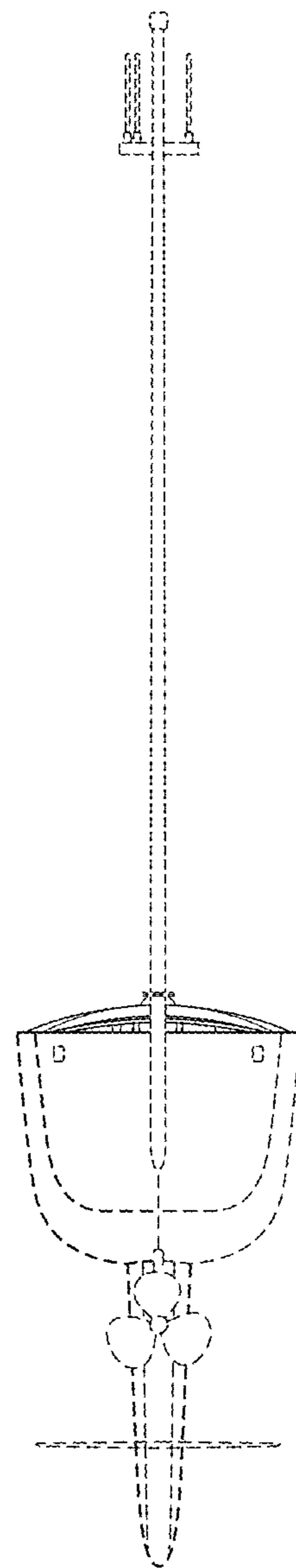


Fig. 10

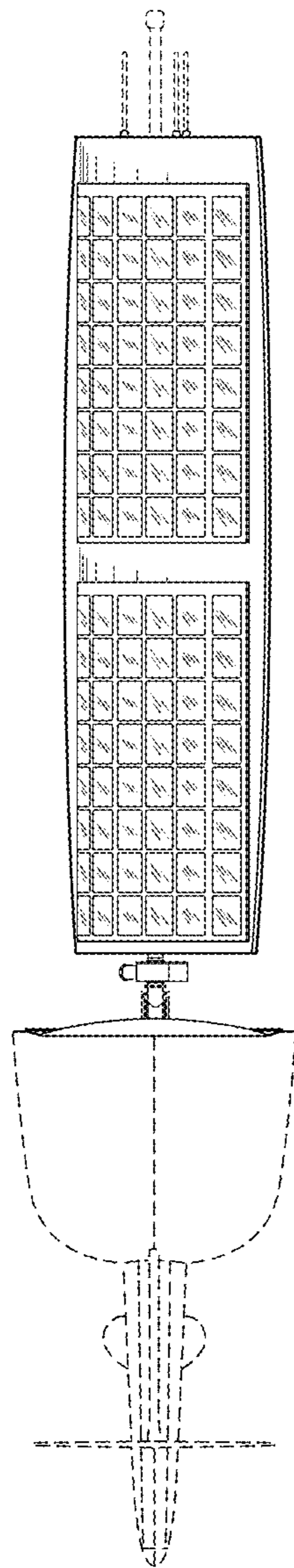


Fig. 11

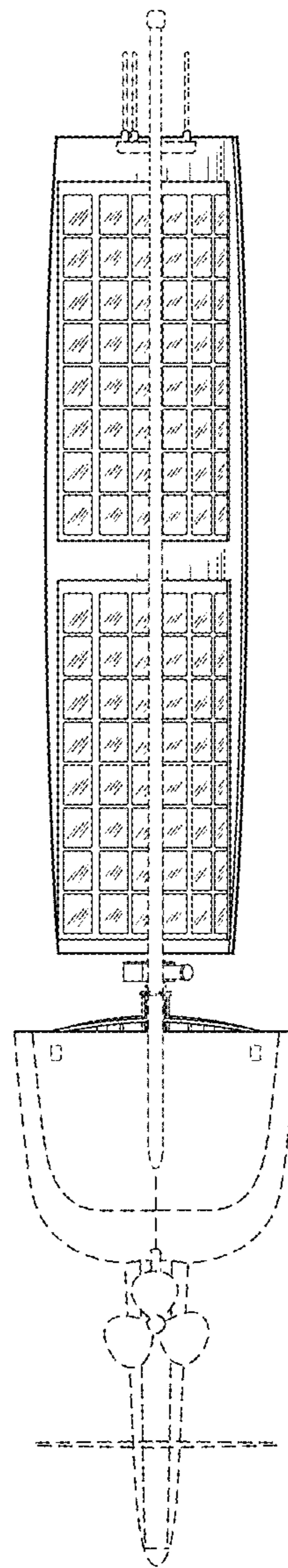


Fig. 12

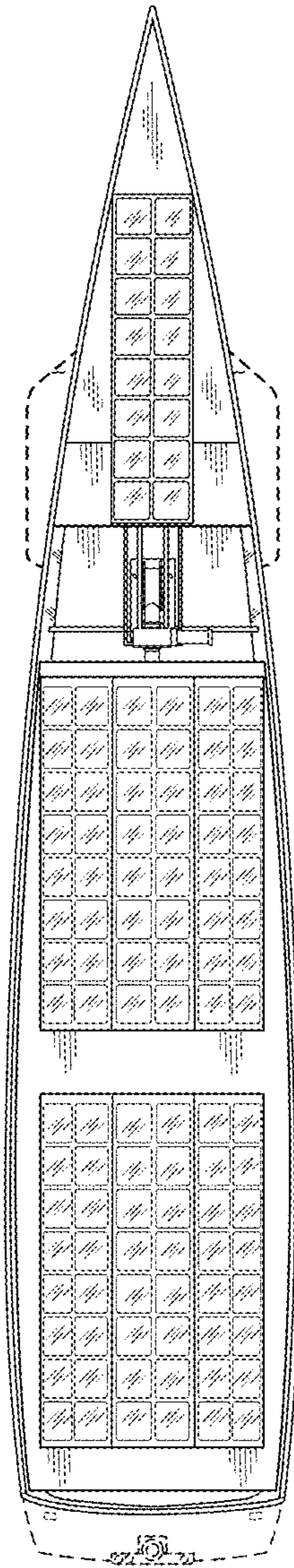


Fig. 13

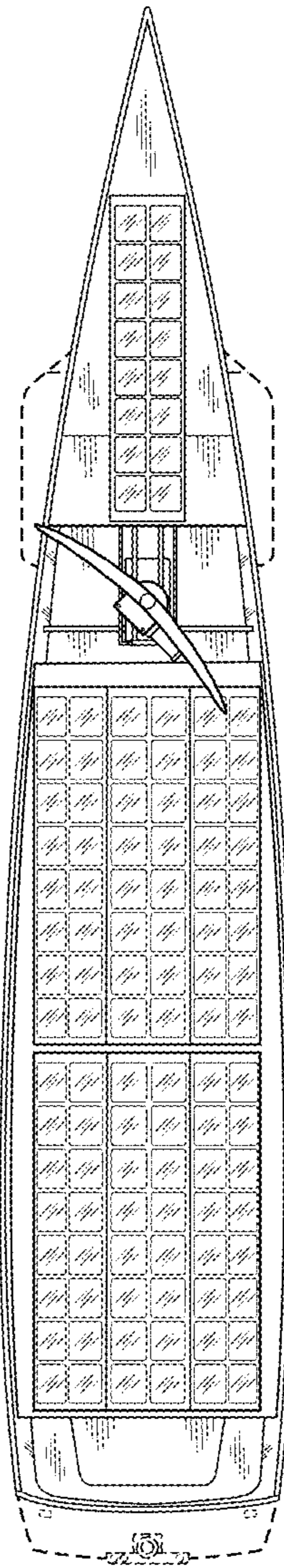


Fig. 14