



US00D869370S

(12) **United States Design Patent**  
**Mikhailov**

(10) **Patent No.:** **US D869,370 S**  
(45) **Date of Patent:** **\*\* Dec. 10, 2019**

- (54) **OFF-ROAD VEHICLE ROLL CAGE**
- (71) Applicant: **BOMBARDIER RECREATIONAL PRODUCTS INC., Valcourt (CA)**
- (72) Inventor: **Alexei Mikhailov, Bromont (CA)**
- (73) Assignee: **BOMBARDIER RECREATIONAL PRODUCTS INC., Valcourt (CA)**
- (\*\*) Term: **15 Years**
- (21) Appl. No.: **29/640,669**
- (22) Filed: **Mar. 16, 2018**

- D549,133 S 8/2007 Lepage
- D622,631 S 8/2010 Lai et al.
- D633,006 S \* 2/2011 Sanschagrín ..... D12/1
- D650,311 S 12/2011 Bracy
- D655,236 S \* 3/2012 Sanschagrín ..... D12/222
- D655,668 S \* 3/2012 Levorato ..... D12/222
- D660,746 S 5/2012 Bracy
- D682,739 S 5/2013 Patterson et al.
- D701,469 S 3/2014 Lai et al.
- D703,102 S \* 4/2014 Eck ..... D12/87
- D705,127 S 5/2014 Patterson et al.
- D712,311 S 9/2014 Morgan et al.
- D719,061 S \* 12/2014 Tandrup ..... D12/87
- D737,724 S 9/2015 Schroeder et al.
- D739,304 S 9/2015 Brown
- 9,327,587 B2 5/2016 Spindler et al.
- D758,281 S \* 6/2016 Galloway ..... D12/222
- D761,713 S \* 7/2016 Hensley ..... D12/222
- D762,522 S \* 8/2016 Kinoshita ..... D12/87
- D766,157 S \* 9/2016 Reynolds ..... D12/222

**Related U.S. Application Data**

- (63) Continuation-in-part of application No. 29/618,356, filed on Sep. 20, 2017.
- (51) **LOC (12) Cl.** ..... **12-03**
- (52) **U.S. Cl.**  
USPC ..... **D12/222**
- (58) **Field of Classification Search**  
USPC ..... D12/1, 14, 86, 87, 222, 223, 400, 401, D12/404, 406, 412, 414; D6/552; D26/31  
CPC ..... B62D 65/02; B62D 65/00; B62D 65/024  
See application file for complete search history.

**References Cited**

**U.S. PATENT DOCUMENTS**

- D286,760 S 11/1986 Ooba et al.
- D312,989 S 12/1990 Murata et al.
- D327,237 S 6/1992 Miyamoto et al.
- D500,707 S 1/2005 Lu
- D503,658 S 4/2005 Lu
- 6,908,108 B1 \* 6/2005 Scarla ..... A63H 17/262  
280/756
- D513,223 S \* 12/2005 Saito ..... D12/14

(Continued)

*Primary Examiner* — Darlington Ly

(74) *Attorney, Agent, or Firm* — BCF LLP

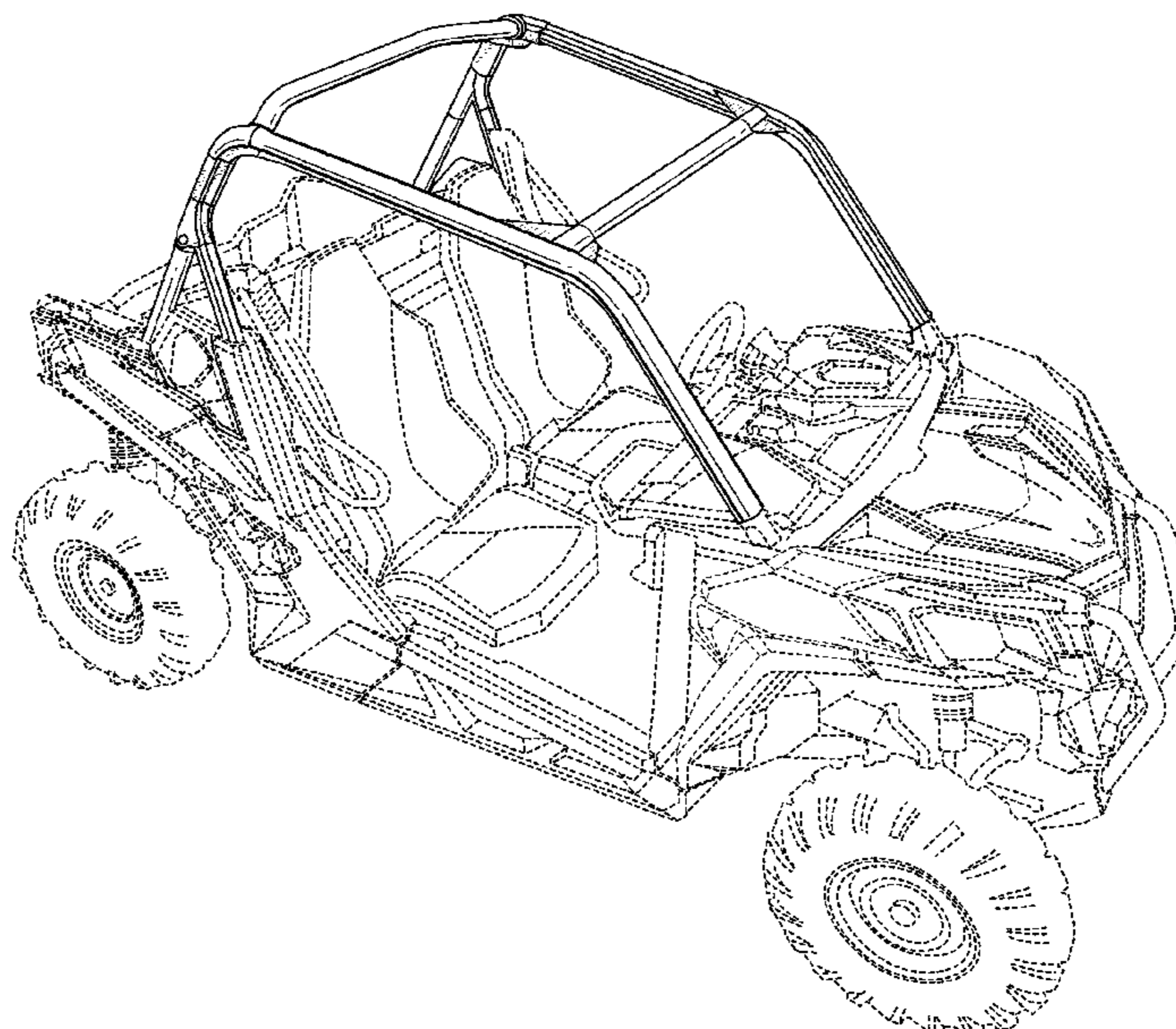
(57) **CLAIM**

The ornamental design for an off-road vehicle roll cage, as shown and described.

**DESCRIPTION**

FIG. 1 is a right side elevation view of an off-road vehicle roll cage showing my new design;  
 FIG. 2 is a front elevation view thereof;  
 FIG. 3 is a left side elevation view thereof;  
 FIG. 4 is a rear elevation view thereof;  
 FIG. 5 is a top plan view thereof; and,  
 FIG. 6 is a top, front, and right side perspective view thereof.  
 The broken line showing portions of the off-road vehicle is provided for the purpose of illustrating environmental structure and forms no part of the claimed design.

**1 Claim, 6 Drawing Sheets**



(56)

**References Cited**

U.S. PATENT DOCUMENTS

D772,755 S \* 11/2016 Tandrup ..... D12/14  
D783,502 S \* 4/2017 Hensley ..... D12/222  
D783,503 S \* 4/2017 Hensley ..... D12/222  
9,725,023 B2 \* 8/2017 Miller ..... B60P 1/04  
9,776,481 B2 10/2017 Deckard et al.  
D804,993 S 12/2017 Eck et al.  
D805,009 S 12/2017 Eck et al.  
D805,015 S 12/2017 Eck et al.  
D810,148 S \* 2/2018 Loew ..... D15/28  
D816,009 S \* 4/2018 Reynolds ..... D12/222  
D826,831 S \* 8/2018 Eck ..... D12/222  
D835,545 S \* 12/2018 Hanten ..... D12/87  
2019/0031260 A1 \* 1/2019 Filion ..... B62D 65/02

\* cited by examiner

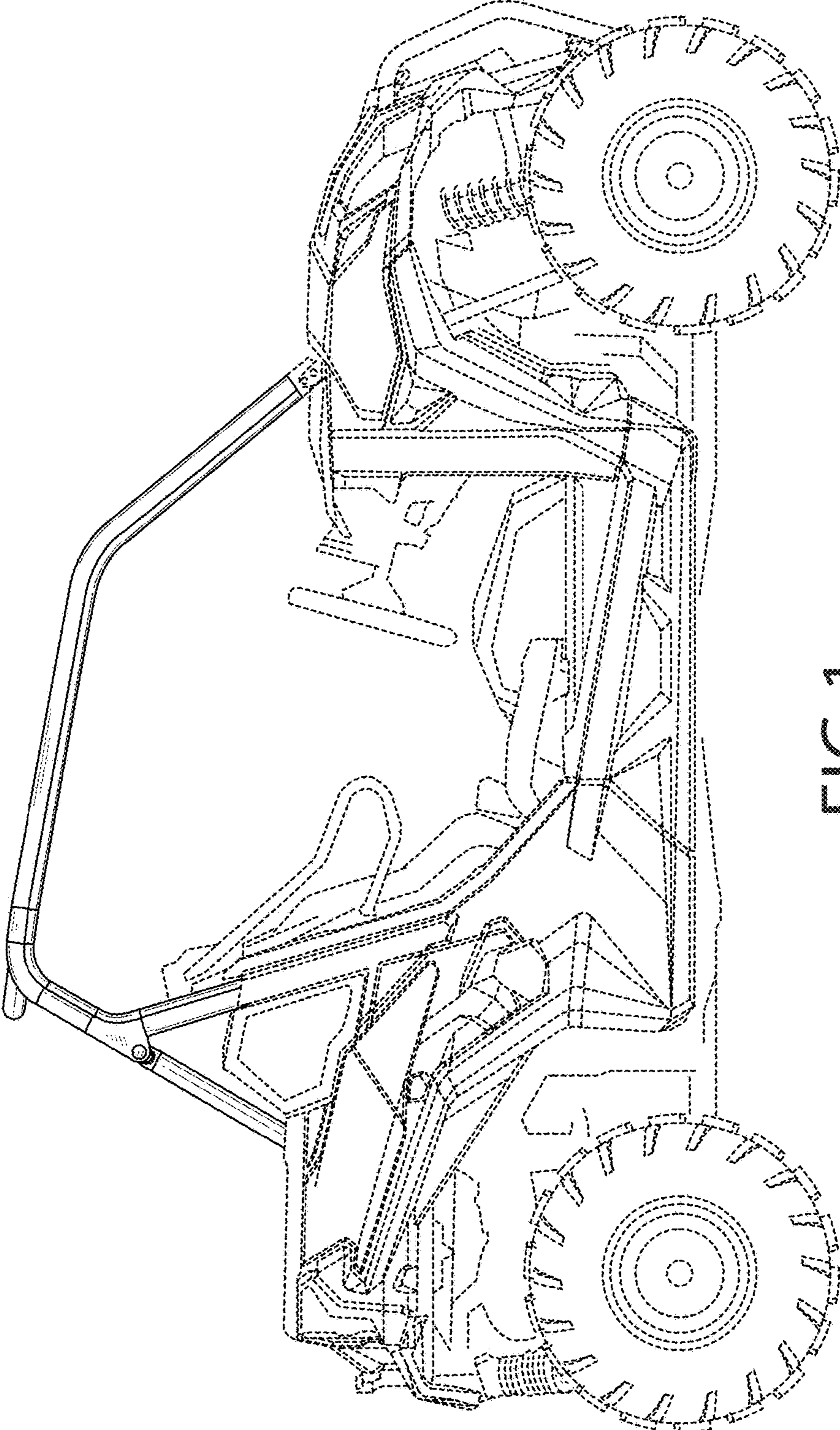


FIG.1

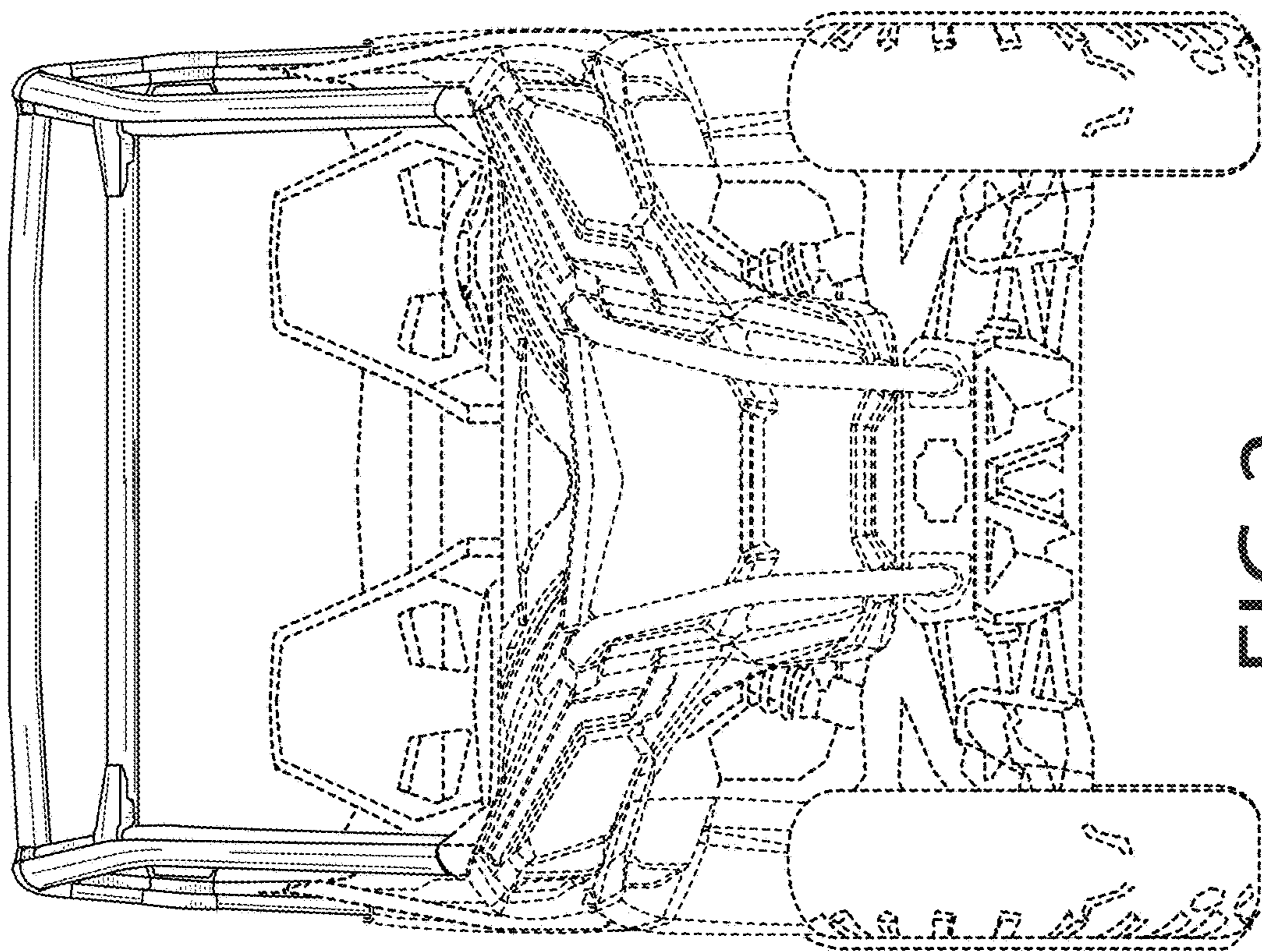


FIG.2

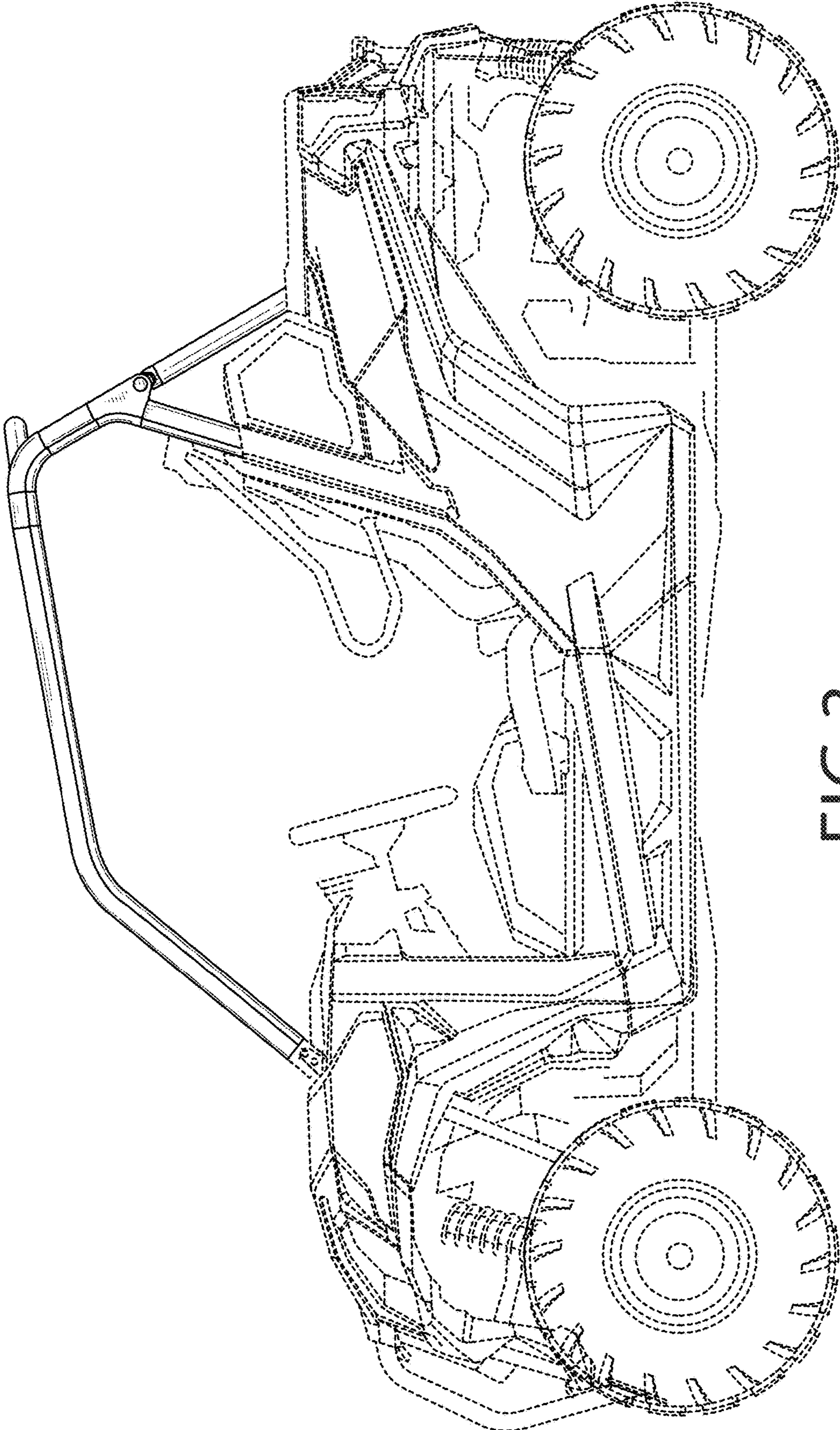


FIG.3

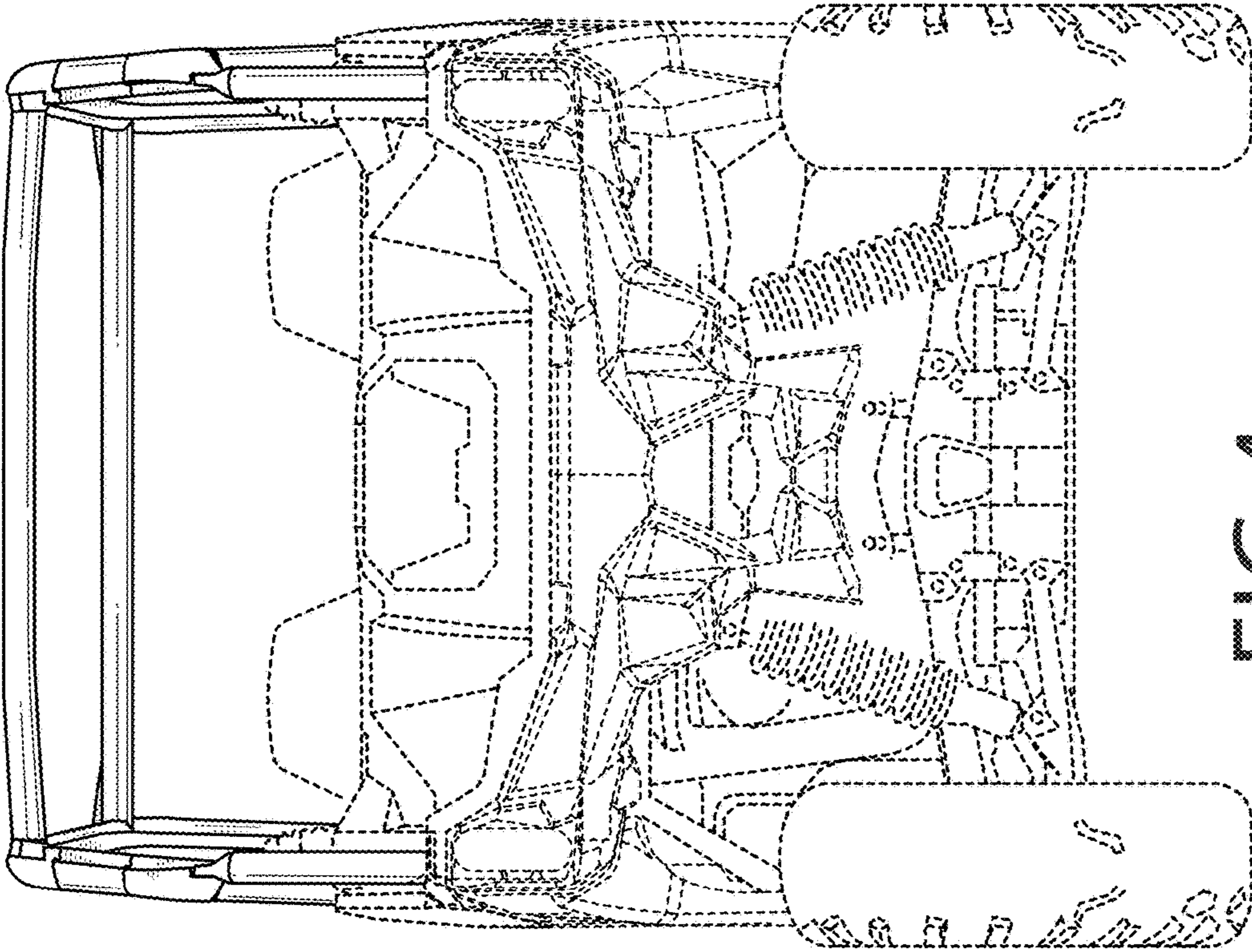


FIG.4

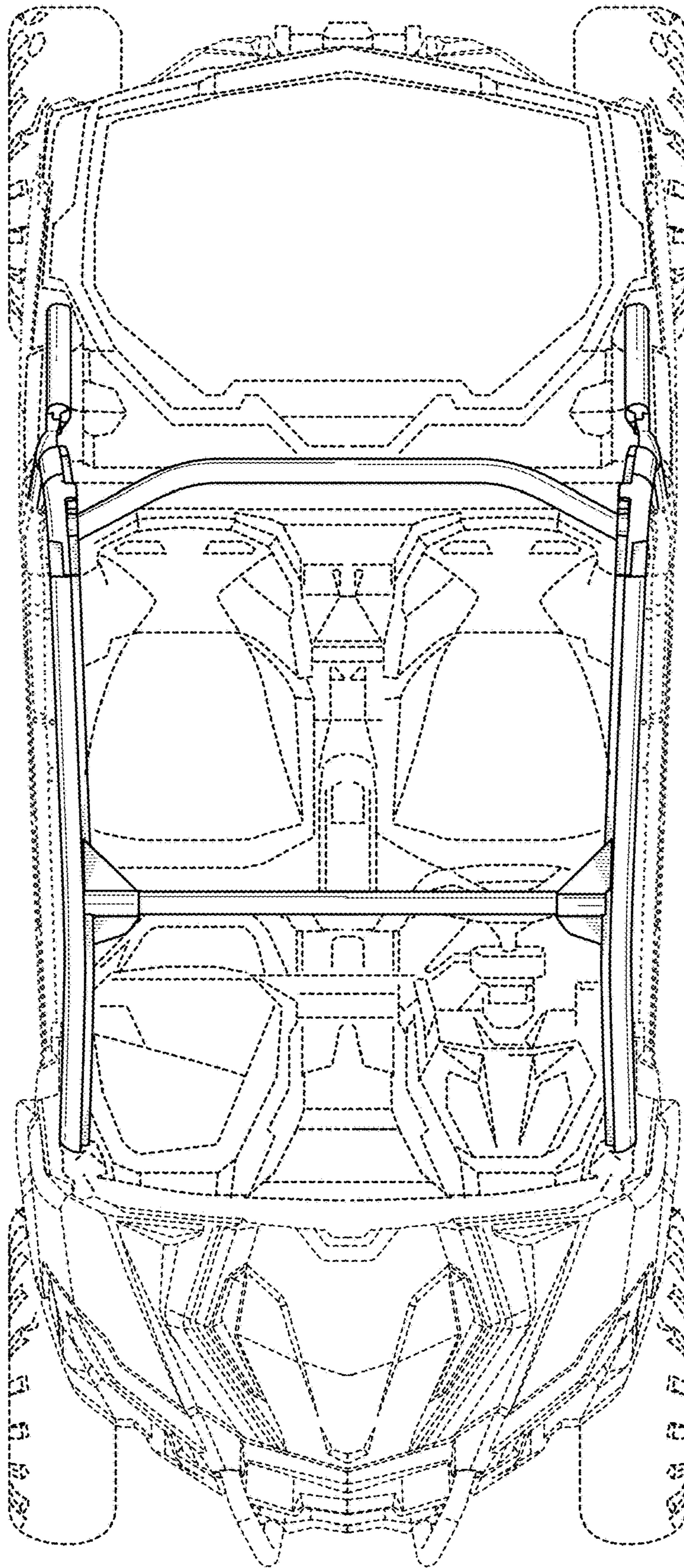


FIG.5

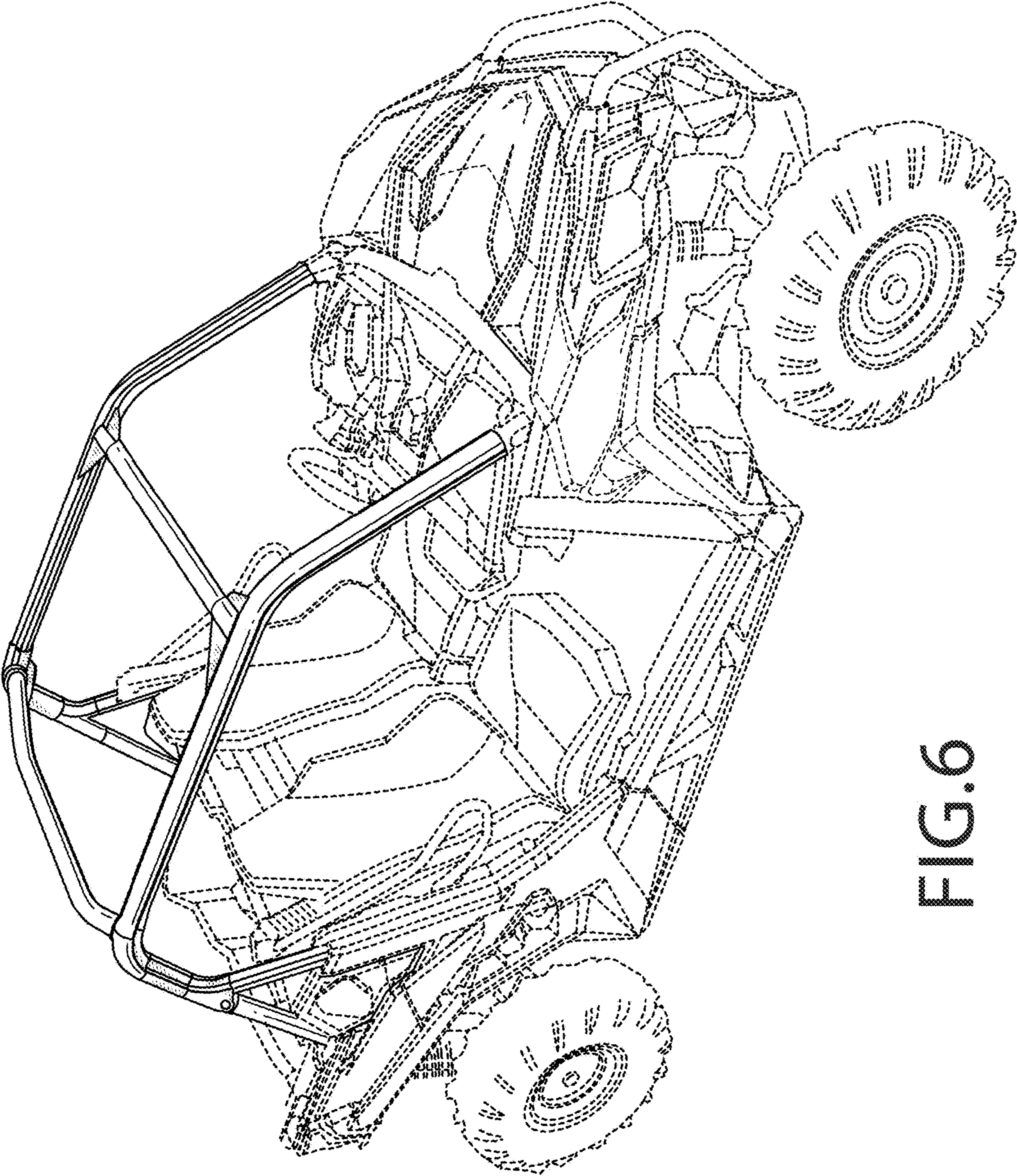


FIG.6