

US00D869366S

(12) **United States Design Patent**
Imazato et al.

(10) **Patent No.:** **US D869,366 S**

(45) **Date of Patent:** **** Dec. 10, 2019**

(54) **WHEEL**

(71) Applicant: **American Honda Motor Co., Inc.**,
Torrance, CA (US)

(72) Inventors: **Makoto Imazato**, Asaka (JP); **Tadashi Nakano**, Fujimino (JP)

(73) Assignee: **American Honda Motor Co., Inc.**,
Torrance, CA (US)

(**) Term: **15 Years**

(21) Appl. No.: **29/668,055**

(22) Filed: **Oct. 26, 2018**

(51) **LOC (12) Cl.** **12-16**

(52) **U.S. Cl.**
USPC **D12/209**

(58) **Field of Classification Search**
USPC D12/204–213
CPC B60B 7/00; B60B 7/02; B60B 7/04; B60B 7/01; B60B 7/06; B60B 3/02; B60B 3/04; B60B 3/06; B60B 3/10; B60B 1/00; B60B 1/08; B60B 1/10; B60B 1/12
See application file for complete search history.

(56) **References Cited**

U.S. PATENT DOCUMENTS

D508,884 S	*	8/2005	Fridie	D12/209
D535,603 S		1/2007	Guevara		
D576,094 S	*	9/2008	Bernoni	D12/211
D617,712 S		6/2010	Juergens et al.		
D635,076 S	*	3/2011	De Bono	D12/209
D647,450 S	*	10/2011	Platto	D12/209
D649,921 S	*	12/2011	Lucaora	D12/209
D652,362 S	*	1/2012	Lucaora	D12/209
D671,481 S	*	11/2012	Amezketta	D12/211
D673,493 S		1/2013	Lemke		
D692,364 S	*	10/2013	Barnes	D12/209
D697,009 S		1/2014	Pollmann		

D706,694 S	*	6/2014	Wheel	D12/209
D720,677 S	*	1/2015	Diephuis	D12/209
D732,450 S	*	6/2015	Guille	D12/209
D738,805 S	*	9/2015	Rueckheim	D12/209
D740,194 S	*	10/2015	Valencia Pollex	D12/209
D740,195 S	*	10/2015	Perini	D12/209
D741,771 S	*	10/2015	Johnson	D12/209
D788,004 S		5/2017	Mielke		
D788,681 S		6/2017	Juergens et al.		
D797,635 S		9/2017	Rueckheim		
D800,625 S		10/2017	Svensson et al.		
D801,901 S		11/2017	Gardavsky		
D803,128 S		11/2017	Svensson et al.		
D812,540 S	*	3/2018	Chung	D12/211
D822,572 S		7/2018	Smith		
D823,771 S		7/2018	Mueller et al.		
D824,312 S		7/2018	Simm		
D824,319 S		7/2018	Newmeister		

(Continued)

Primary Examiner — Stacia A Cadmus

(74) *Attorney, Agent, or Firm* — Arent Fox LLP

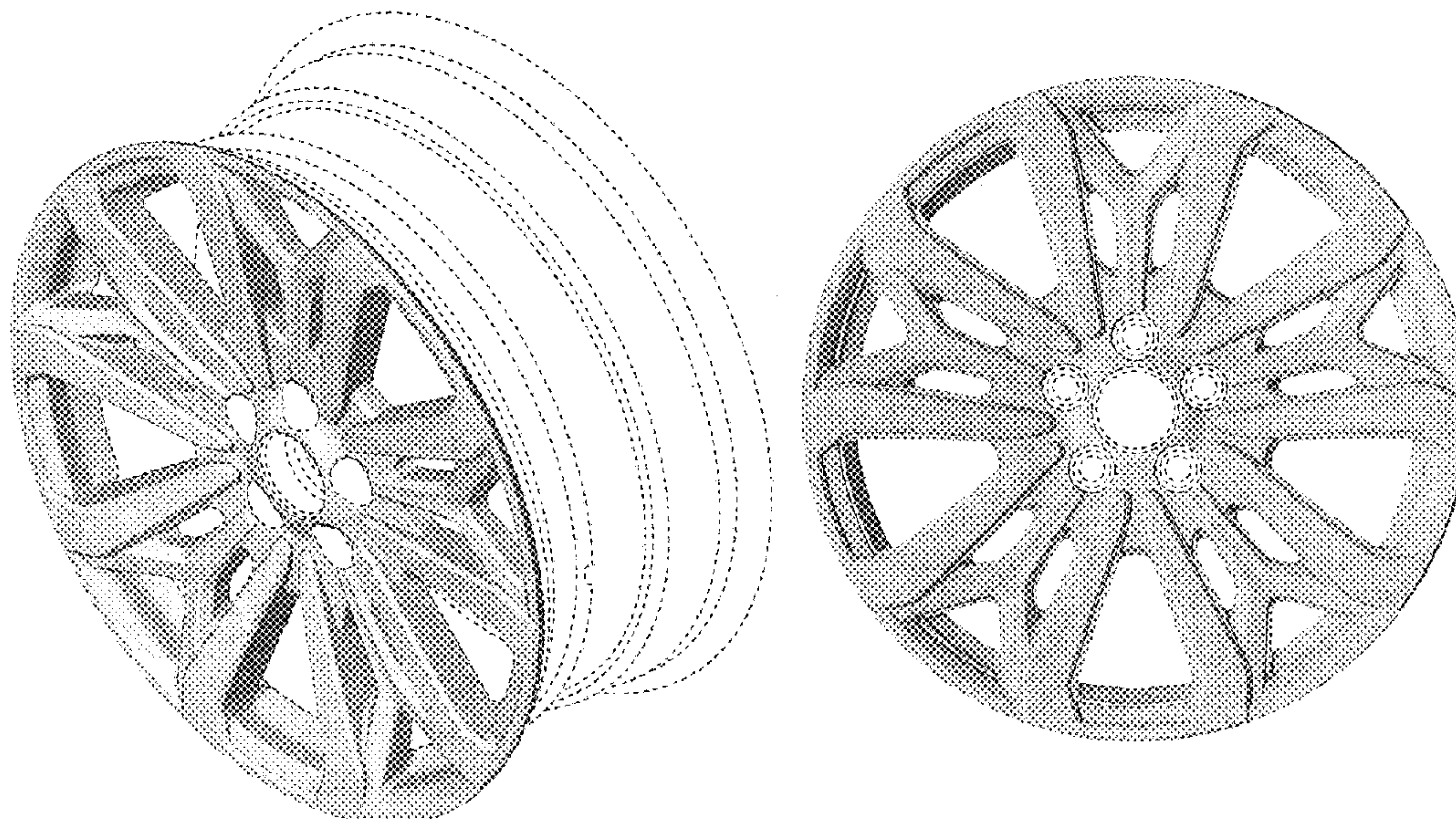
(57) **CLAIM**

The ornamental design for a wheel, as shown and described.

DESCRIPTION

FIG. 1 is a front right perspective view of a wheel showing our new design;
FIG. 2 is a rear left perspective view of the design shown in FIG. 1;
FIG. 3 is a front view of the design shown in FIG. 1;
FIG. 4 is a rear view of the design shown in FIG. 1;
FIG. 5 is a left side view of the design shown in FIG. 1;
FIG. 6 is a right side view of the design shown in FIG. 1;
FIG. 7 is a top view of the design shown in FIG. 1; and,
FIG. 8 is a bottom view of the design shown in FIG. 1;
The broken lines shown in the figures are included for the purpose of illustrating portions of the wheel and form no part of the claimed design.

1 Claim, 8 Drawing Sheets



(56)

References Cited

U.S. PATENT DOCUMENTS

D824,833 S	8/2018	Newmeister	
D830,936 S *	10/2018	Wheel	D12/209
D847,070 S *	4/2019	Greuer	D12/209
D851,007 S *	6/2019	Widua	D12/209
D852,704 S *	7/2019	Khachatryan	D12/209

* cited by examiner

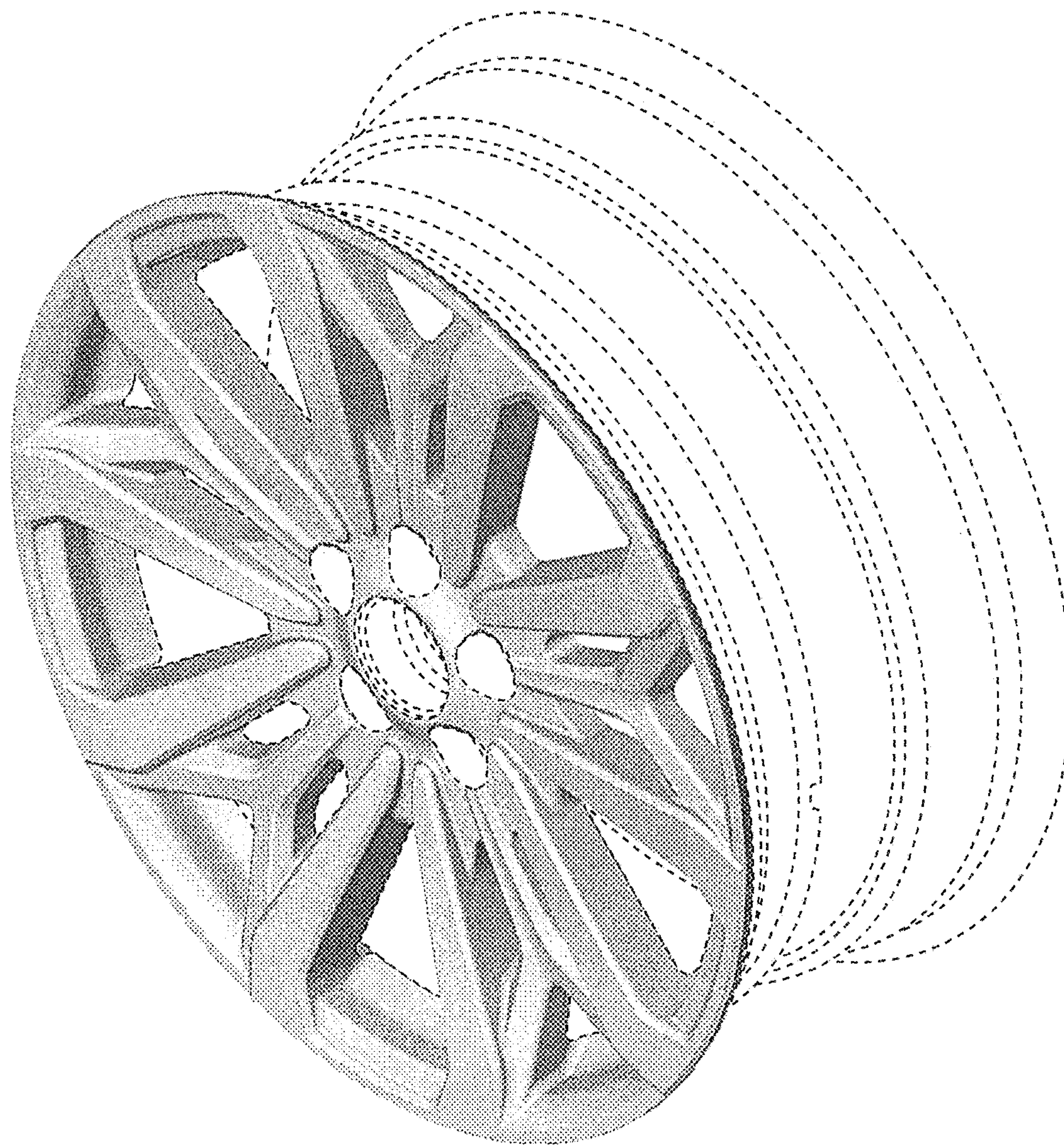


FIG. 1

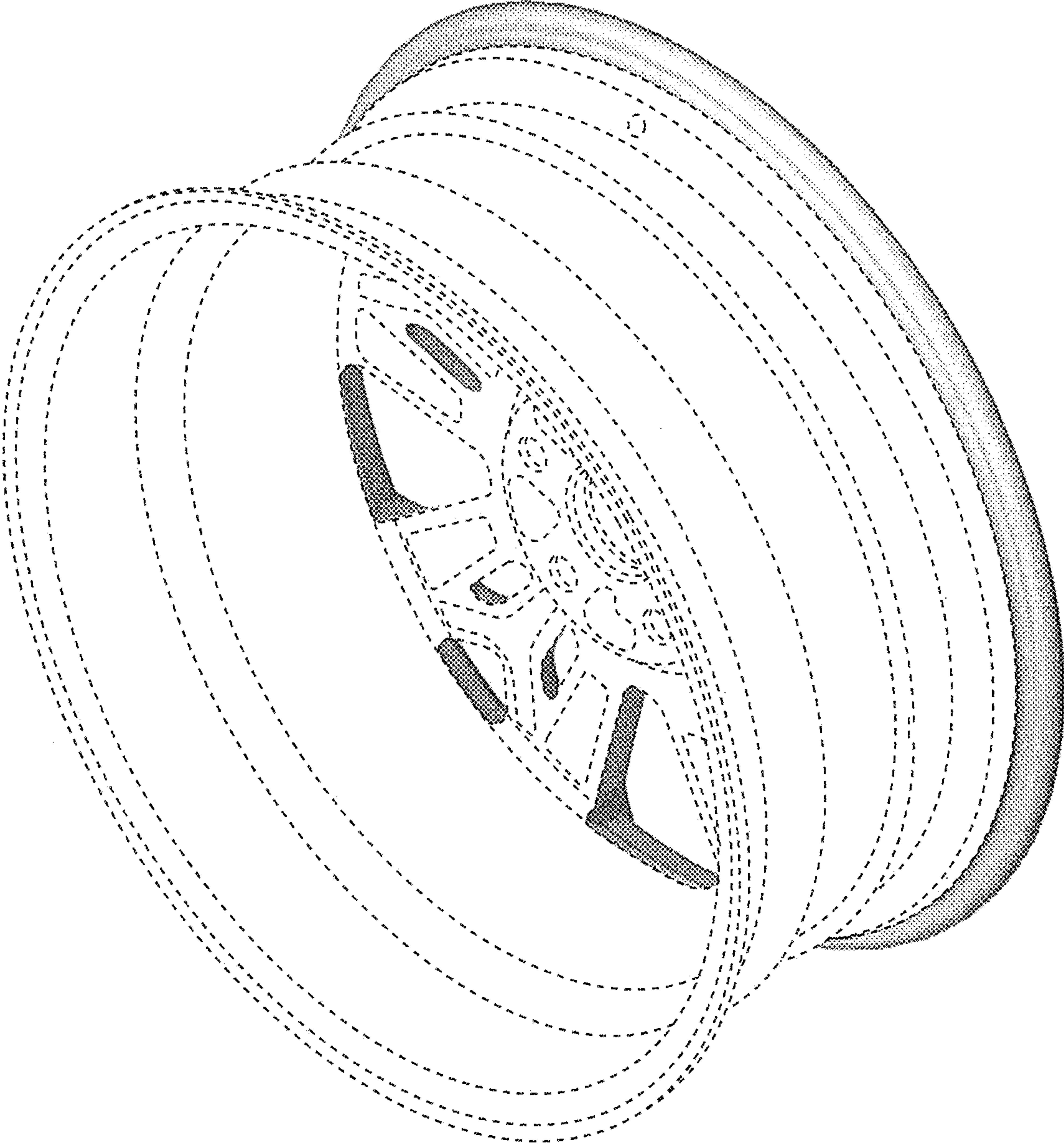


FIG. 2

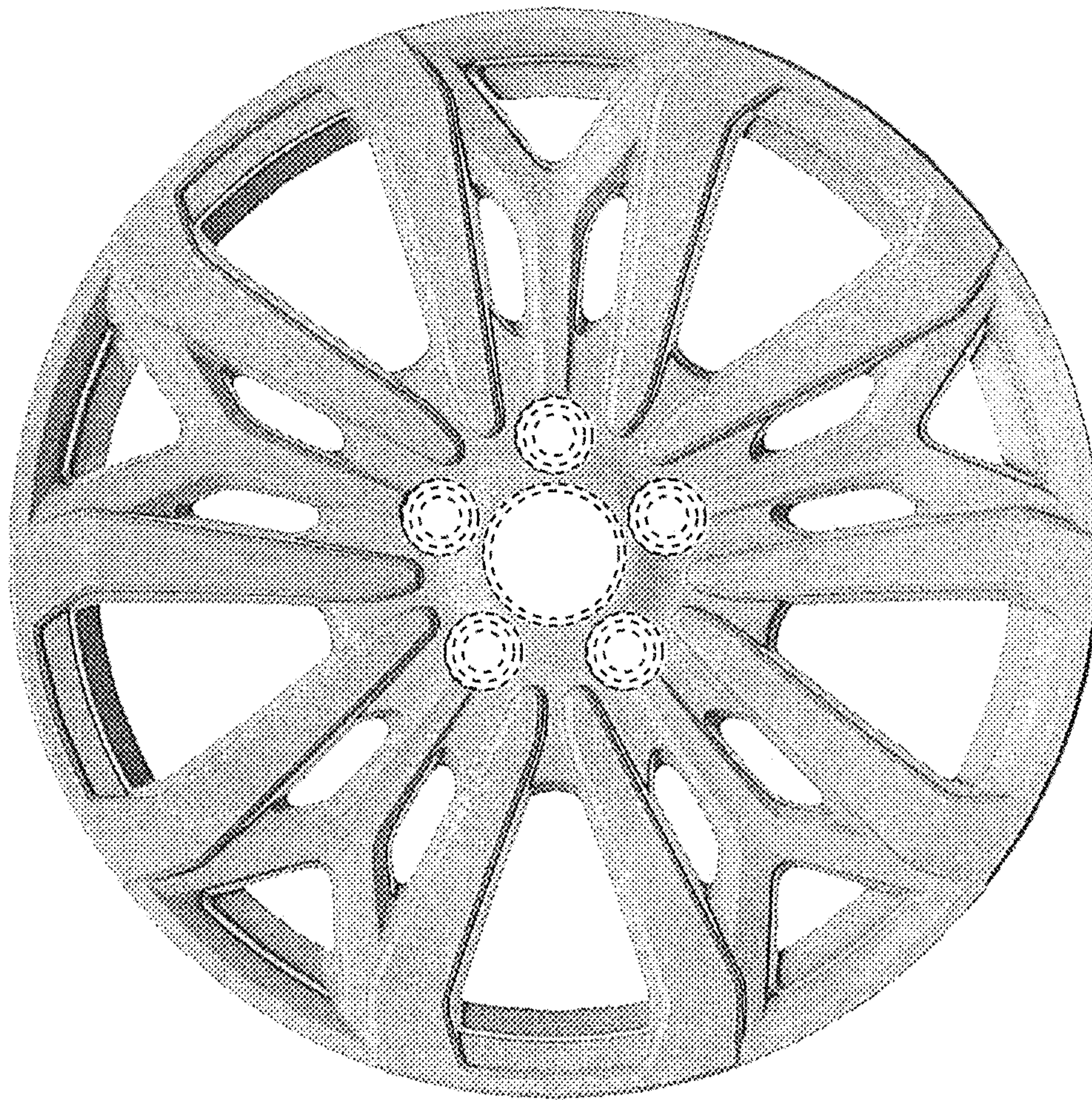


FIG. 3

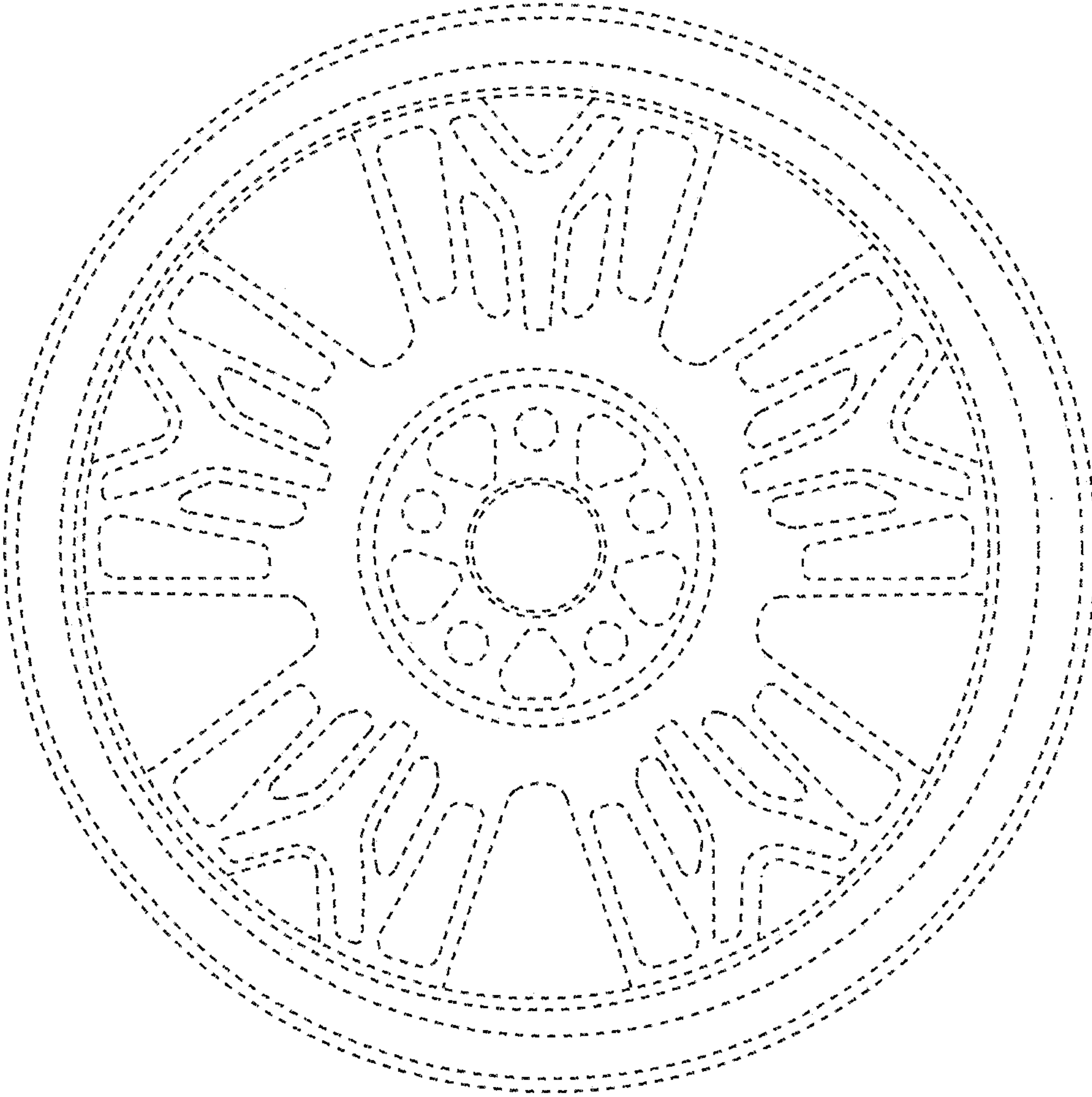


FIG. 4

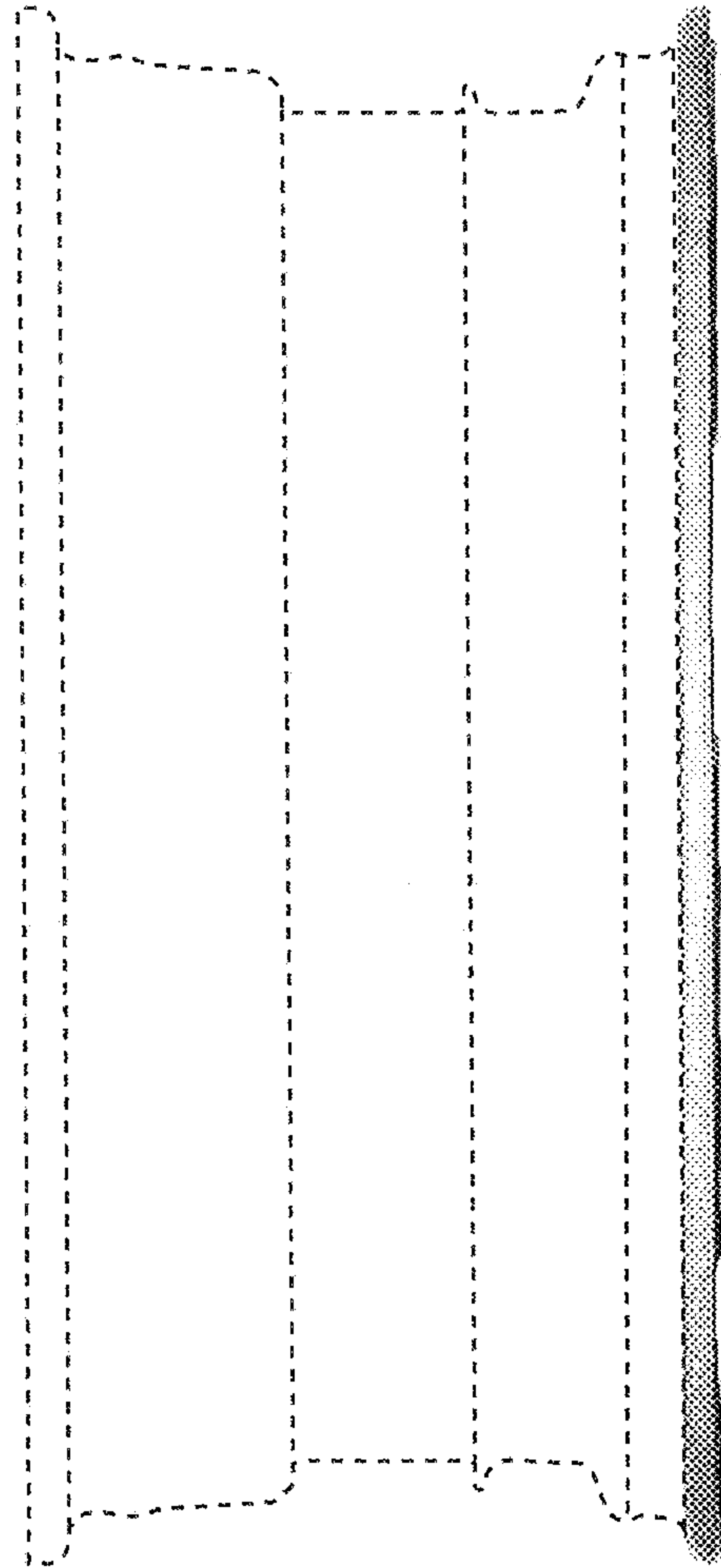


FIG. 5

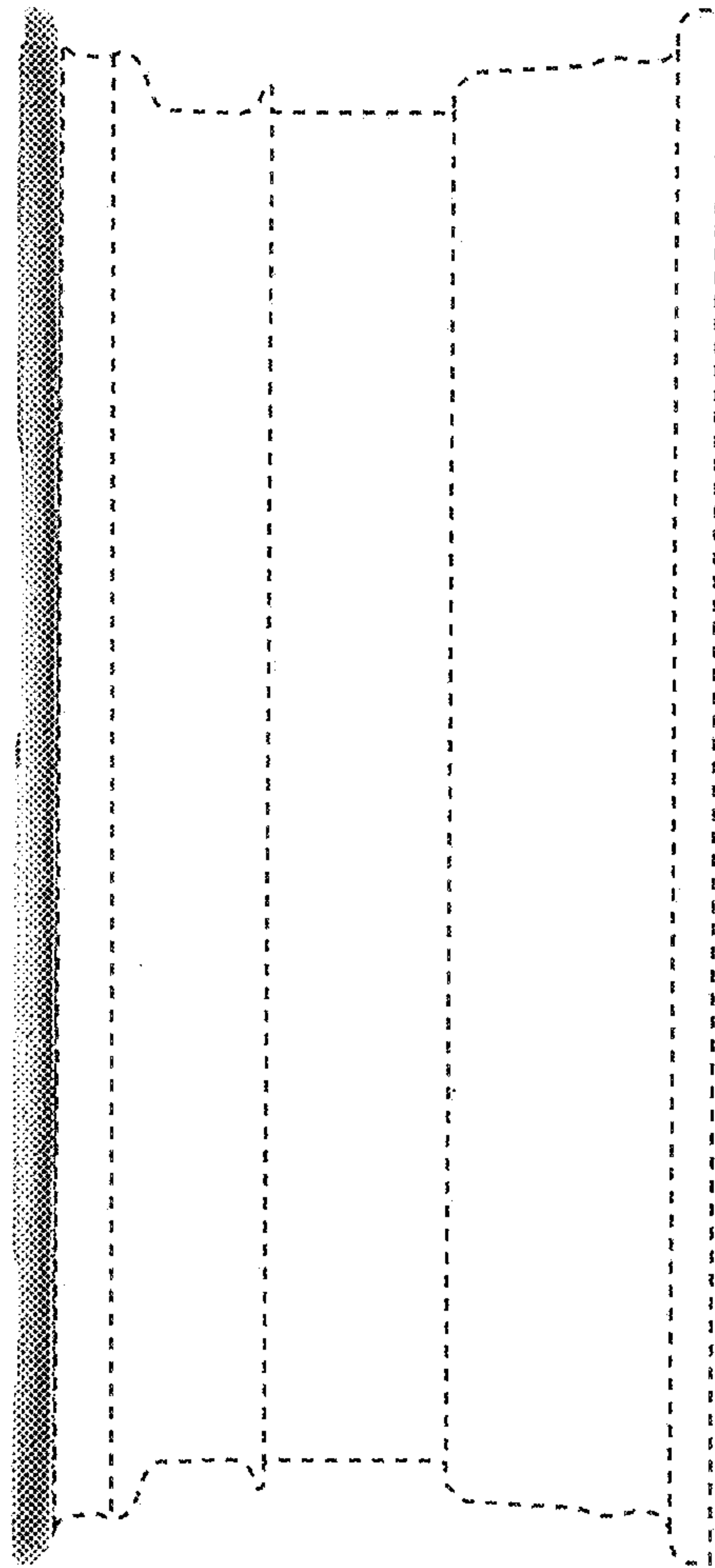


FIG. 6

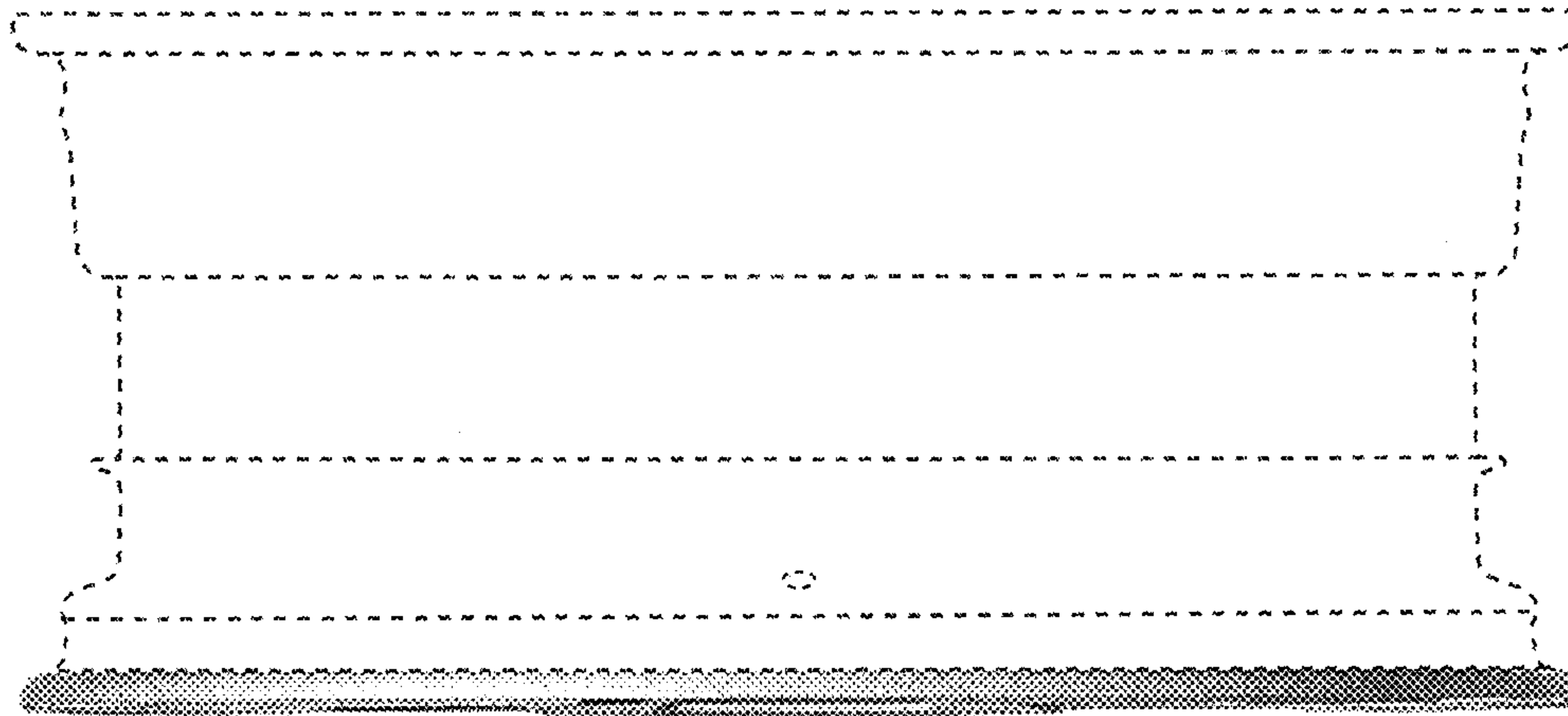


FIG. 7

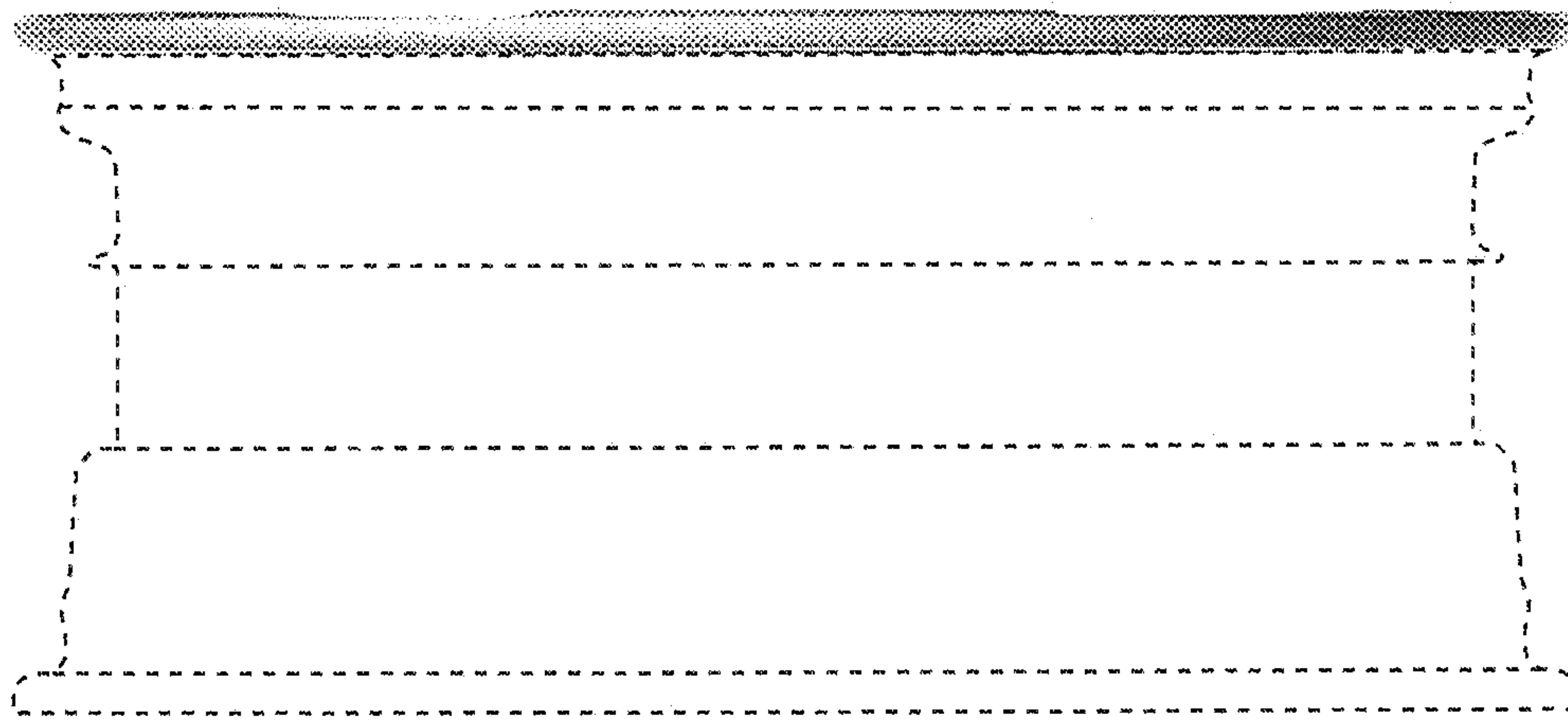


FIG. 8