



US00D869360S

(12) **United States Design Patent** (10) **Patent No.:** **US D869,360 S**  
**Roh et al.** (45) **Date of Patent:** **\*\* Dec. 10, 2019**

(54) **AUTOMOBILE FRONT BUMPER**  
(71) Applicants: **HYUNDAI MOTOR COMPANY**,  
Seoul (KR); **KIA MOTORS**  
**CORPORATION**, Seoul (KR)  
(72) Inventors: **Seung-Yoon Roh**, Suwon-si (KR);  
**Seung-Yeon Lee**, Gwacheon-si (KR)  
(\*\*) Term: **15 Years**  
(21) Appl. No.: **35/506,008**  
(22) Filed: **Sep. 14, 2018**  
(80) **Hague Agreement Data**  
Int. Filing Date: **Sep. 14, 2018**  
Int. Reg. No.: **DM/103447**  
Int. Reg. Date: **Sep. 14, 2018**  
Int. Reg. Pub. Date: **Nov. 9, 2018**

(30) **Foreign Application Priority Data**  
Apr. 16, 2018 (KR) ..... 30-2018-0017664  
(51) **LOC (12) Cl.** ..... **12-16**  
(52) **U.S. Cl.**  
USPC ..... **D12/169**  
(58) **Field of Classification Search**  
USPC ..... D12/86, 90, 91, 92, 163, 164, 169, 171,  
D12/196, 216  
CPC ..... B60R 19/02; B60R 19/18; B60R 19/24;  
B60R 19/56; B60R 2019/007  
See application file for complete search history.

(56) **References Cited**  
U.S. PATENT DOCUMENTS  
D626,473 S \* 11/2010 Mueller ..... D12/169  
D637,945 S \* 5/2011 Nakagawa ..... D12/169  
D656,871 S \* 4/2012 Fetherston ..... D12/169

D666,129 S \* 8/2012 Iida ..... D12/163  
D677,200 S \* 3/2013 Hamilton ..... D12/169  
D810,638 S \* 2/2018 Kwon ..... D12/169  
D814,369 S \* 4/2018 Loeb ..... D12/169  
D816,566 S \* 5/2018 Loeb ..... D12/169  
D817,826 S \* 5/2018 Seo ..... D12/169  
D819,526 S \* 6/2018 Behmer ..... D12/169  
D822,558 S \* 7/2018 Kim ..... D12/169  
D823,731 S \* 7/2018 Kim ..... D12/92  
D823,748 S \* 7/2018 Sunhwan ..... D12/169  
D825,411 S \* 8/2018 Choey ..... D12/169  
D827,515 S \* 9/2018 Whang ..... D12/169  
D829,618 S \* 10/2018 Kamahara ..... D12/169  
D829,620 S \* 10/2018 Lim ..... D12/169  
D830,920 S \* 10/2018 Munakata ..... D12/169  
D833,344 S \* 11/2018 Han ..... D12/169  
D834,473 S \* 11/2018 Han ..... D12/169  
D837,109 S \* 1/2019 Kozub ..... D12/169  
D839,154 S \* 1/2019 Kim ..... D12/169  
D840,295 S \* 2/2019 Peat ..... D12/169  
D840,296 S \* 2/2019 Buckingham ..... D12/169  
D842,176 S \* 3/2019 Lee ..... D12/169

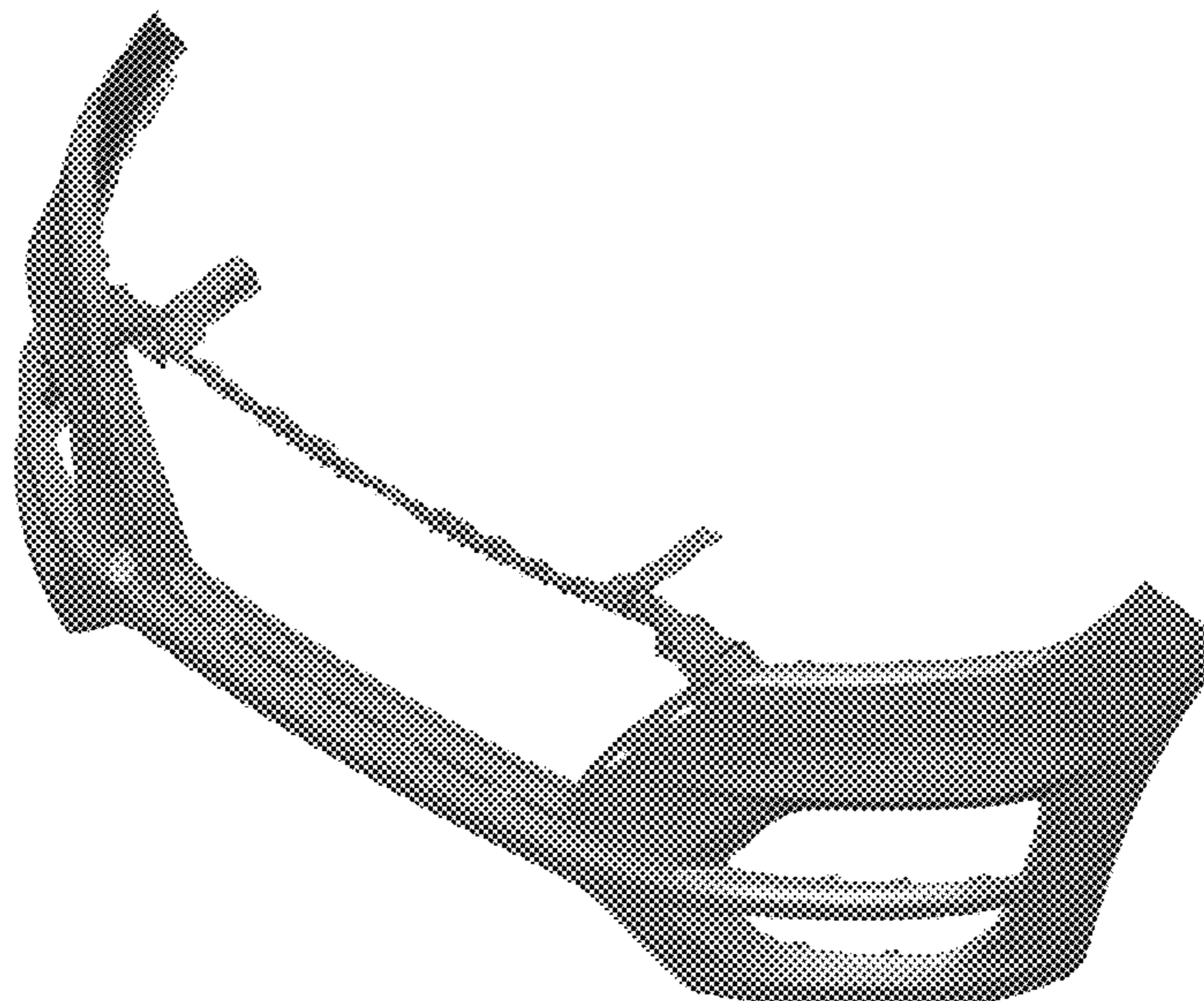
\* cited by examiner

*Primary Examiner* — Darlington Ly

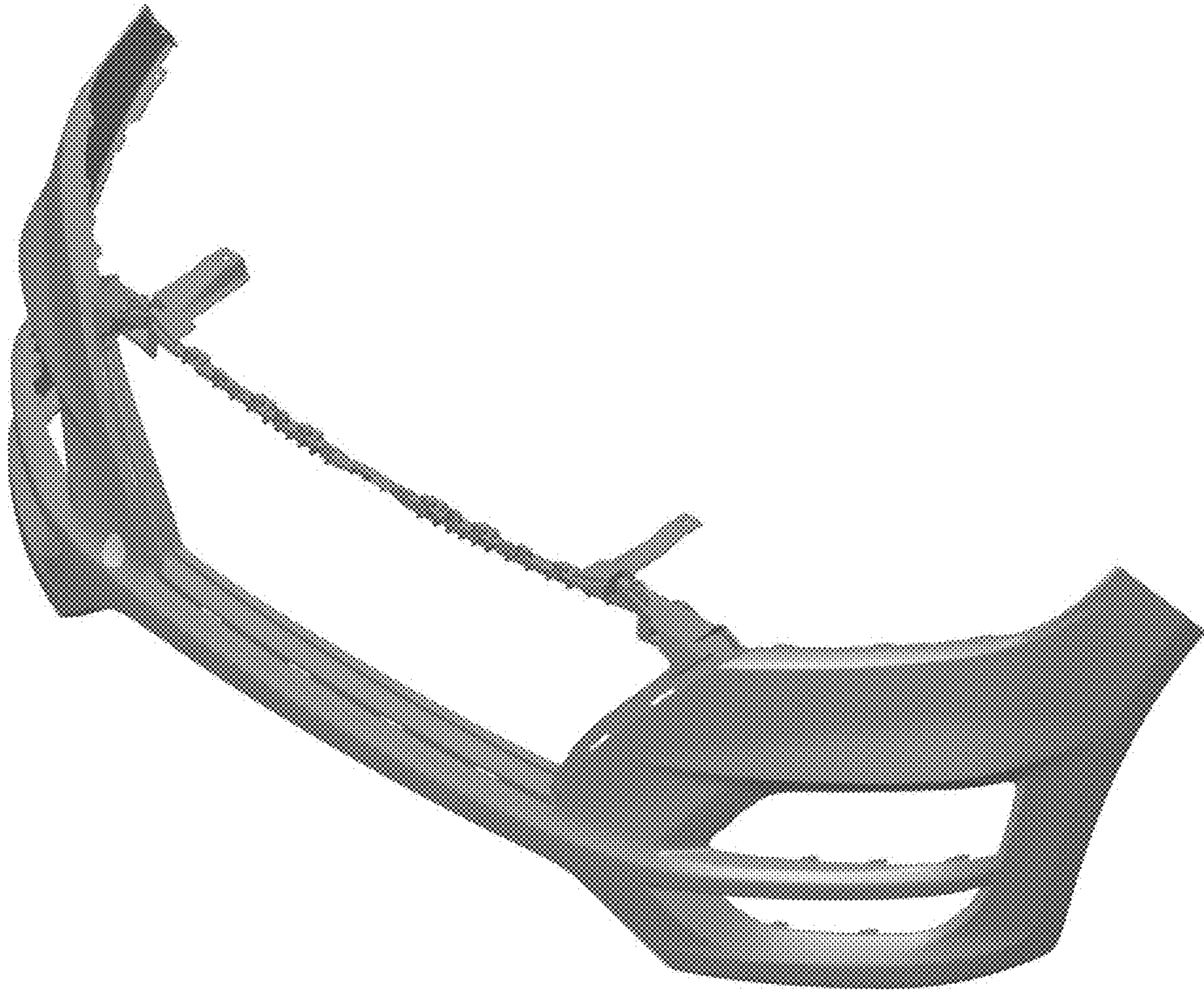
(57) **CLAIM**  
The ornamental design for an automobile front bumper, as shown and described.

**DESCRIPTION**  
1. Automobile front bumper  
1.1 is a front and left side perspective view of an automobile front bumper showing our new design;  
1.2 is a front elevation view thereof;  
1.3 is a rear elevation view thereof;  
1.4 is a right side elevation view thereof;  
1.5 is a left side elevation view thereof;  
1.6 is a top plan view thereof; and  
1.7 is a bottom plan view thereof.

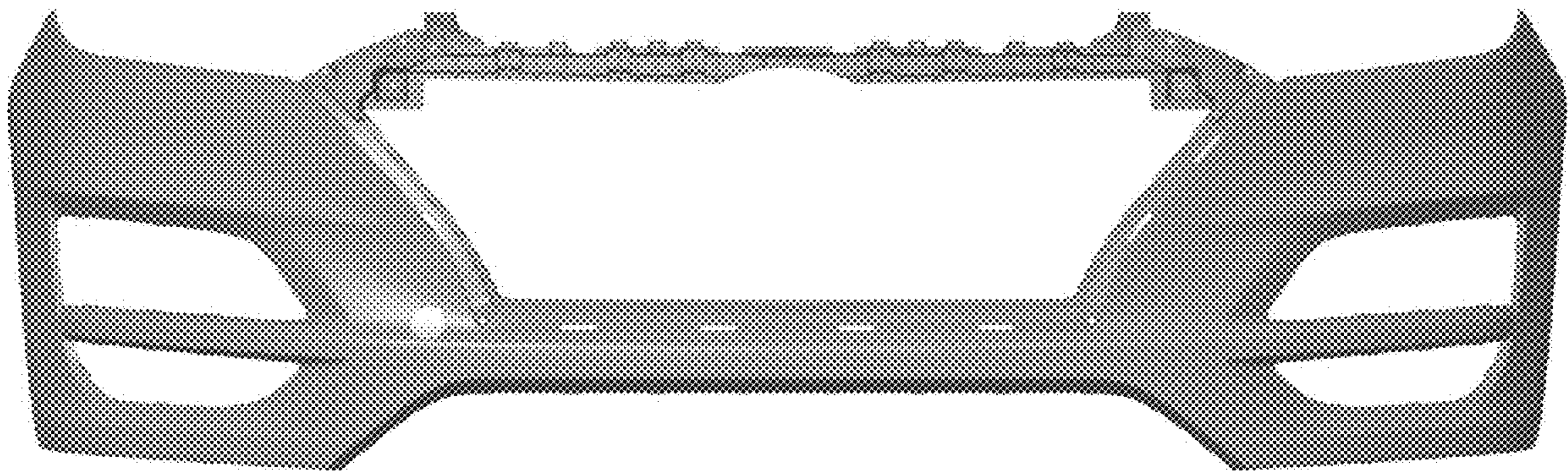
**1 Claim, 7 Drawing Sheets**



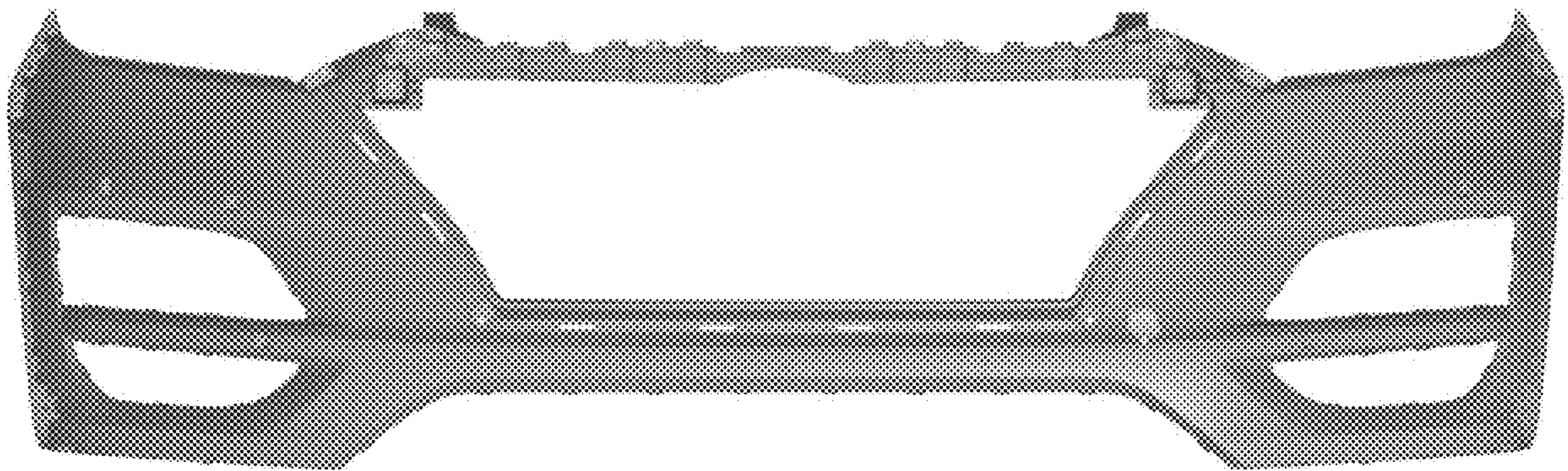
1.1



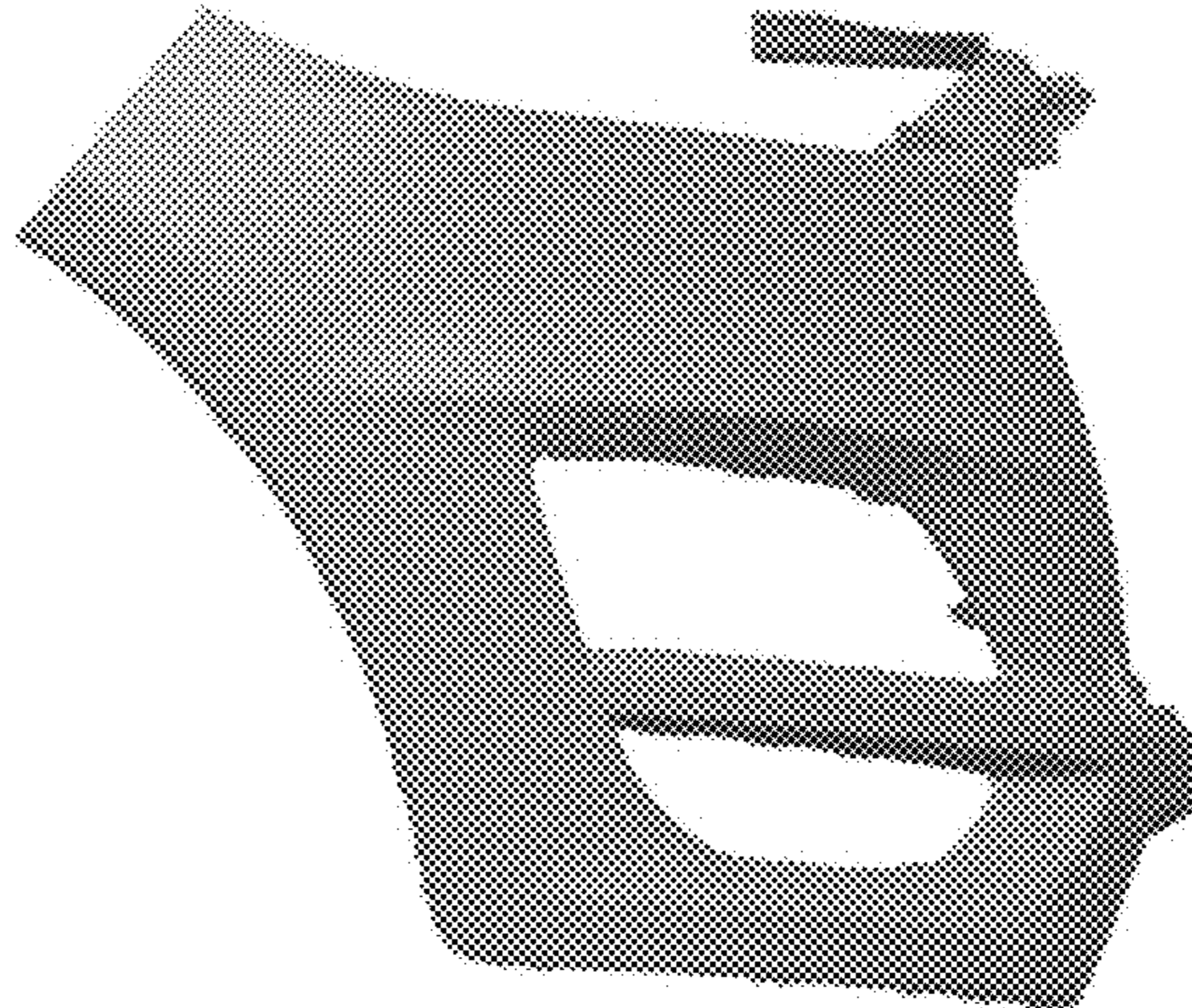
1.2



1.3



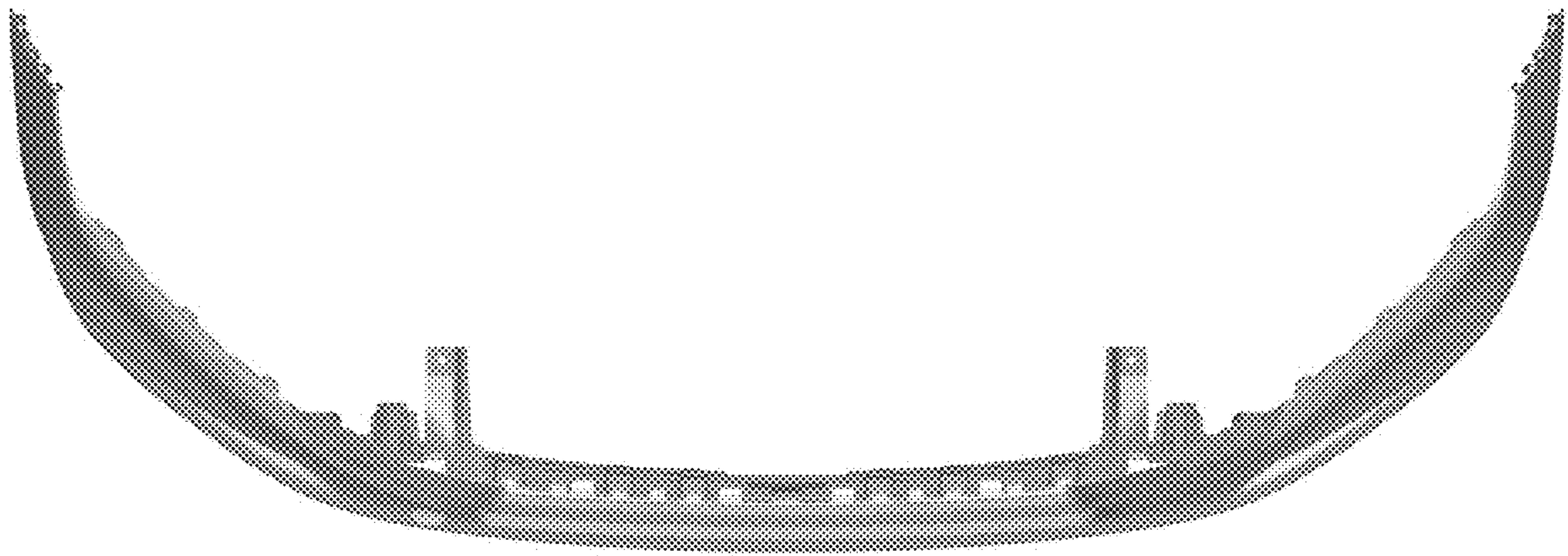
1.4



1.5



1.6



1.7

