

US00D869349S

(12) **United States Design Patent**
Wu

(10) **Patent No.:** **US D869,349 S**

(45) **Date of Patent:** **** Dec. 10, 2019**

(54) **VEHICULAR PROTECTIVE BAR**

D772,116 S * 11/2016 Wu D12/162
D858,369 S * 9/2019 Storer D12/162

(71) Applicant: **Yim Man Wu**, Elmhurst, NY (US)

* cited by examiner

(72) Inventor: **Yim Man Wu**, Elmhurst, NY (US)

Primary Examiner — Abraham Bahta

(**) Term: **15 Years**

(21) Appl. No.: **29/653,923**

(57) **CLAIM**

(22) Filed: **Jun. 19, 2018**

The ornamental design for a vehicular protective bar, as shown and described.

(51) **LOC (12) Cl.** **12-16**

(52) **U.S. Cl.**

USPC **D12/162**

(58) **Field of Classification Search**

USPC D12/203, 89, 98, 160, 161, 162, 196
CPC . B60D 1/60; B60D 1/065; B60D 1/00; B60D
1/06; B60R 3/002; B60R 3/02; B60R
3/00; B60R 3/005; B60R 3/007

See application file for complete search history.

DESCRIPTION

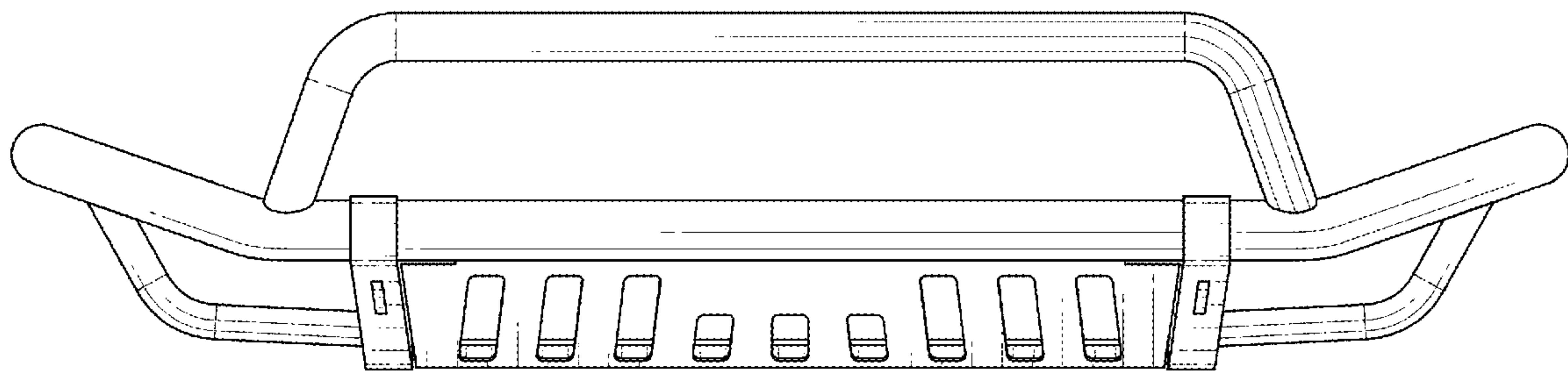
FIG. 1 is a front elevation view of a vehicular protective bar;
FIG. 2 is a back elevation view thereof;
FIG. 3 is a top plan view thereof;
FIG. 4 is a bottom plan view thereof;
FIG. 5 is a first side elevation view thereof;
FIG. 6 is a second side elevation view thereof;
FIG. 7 is a front perspective view thereof; and,
FIG. 8 is a back perspective view thereof.

(56) **References Cited**

U.S. PATENT DOCUMENTS

D770,948 S * 11/2016 Wu D12/162

1 Claim, 4 Drawing Sheets



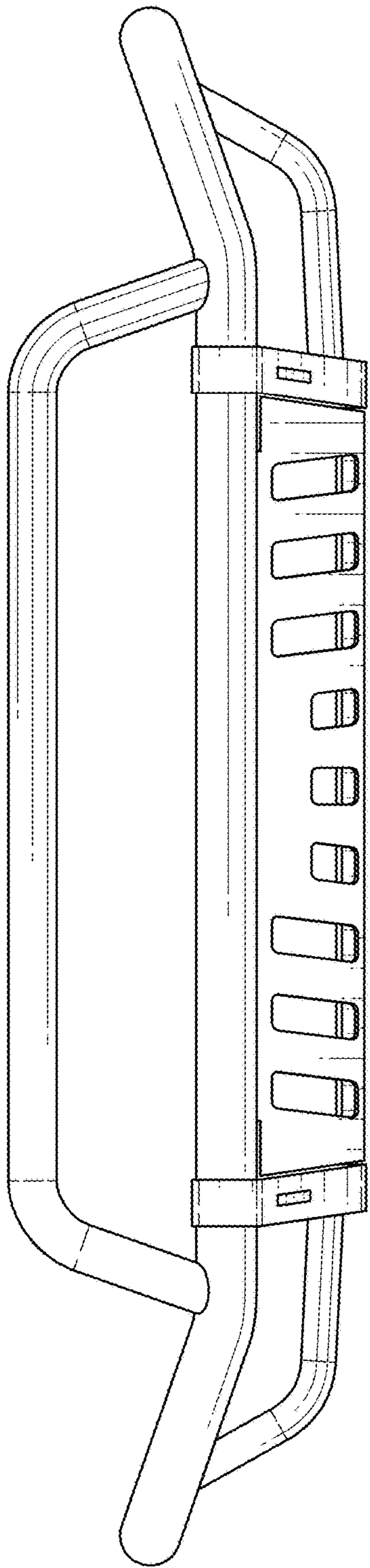


FIG. 1

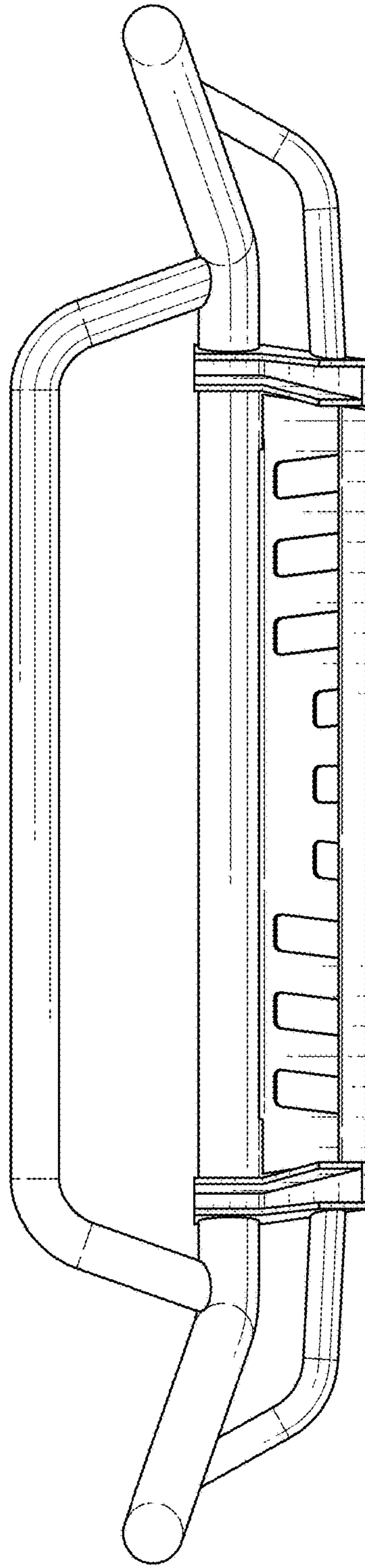


FIG. 2

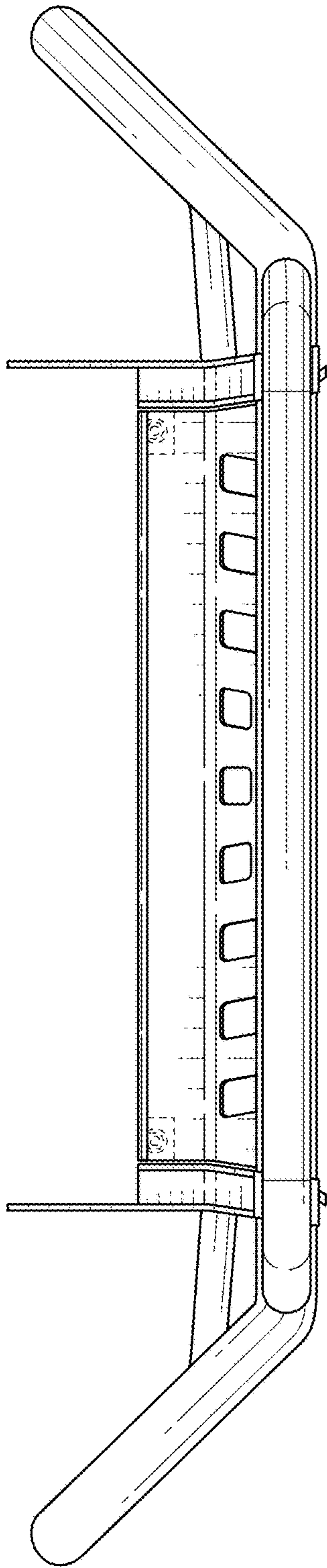


FIG. 3

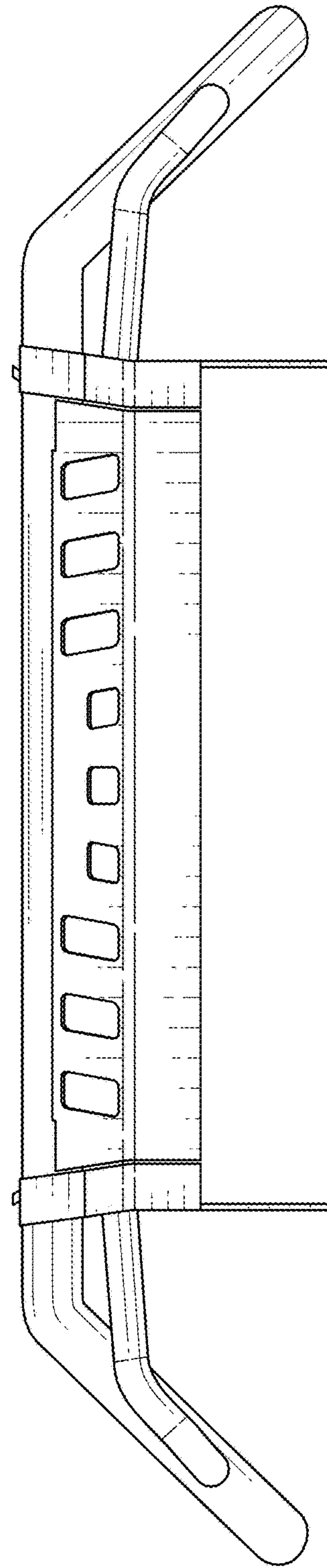


FIG. 4

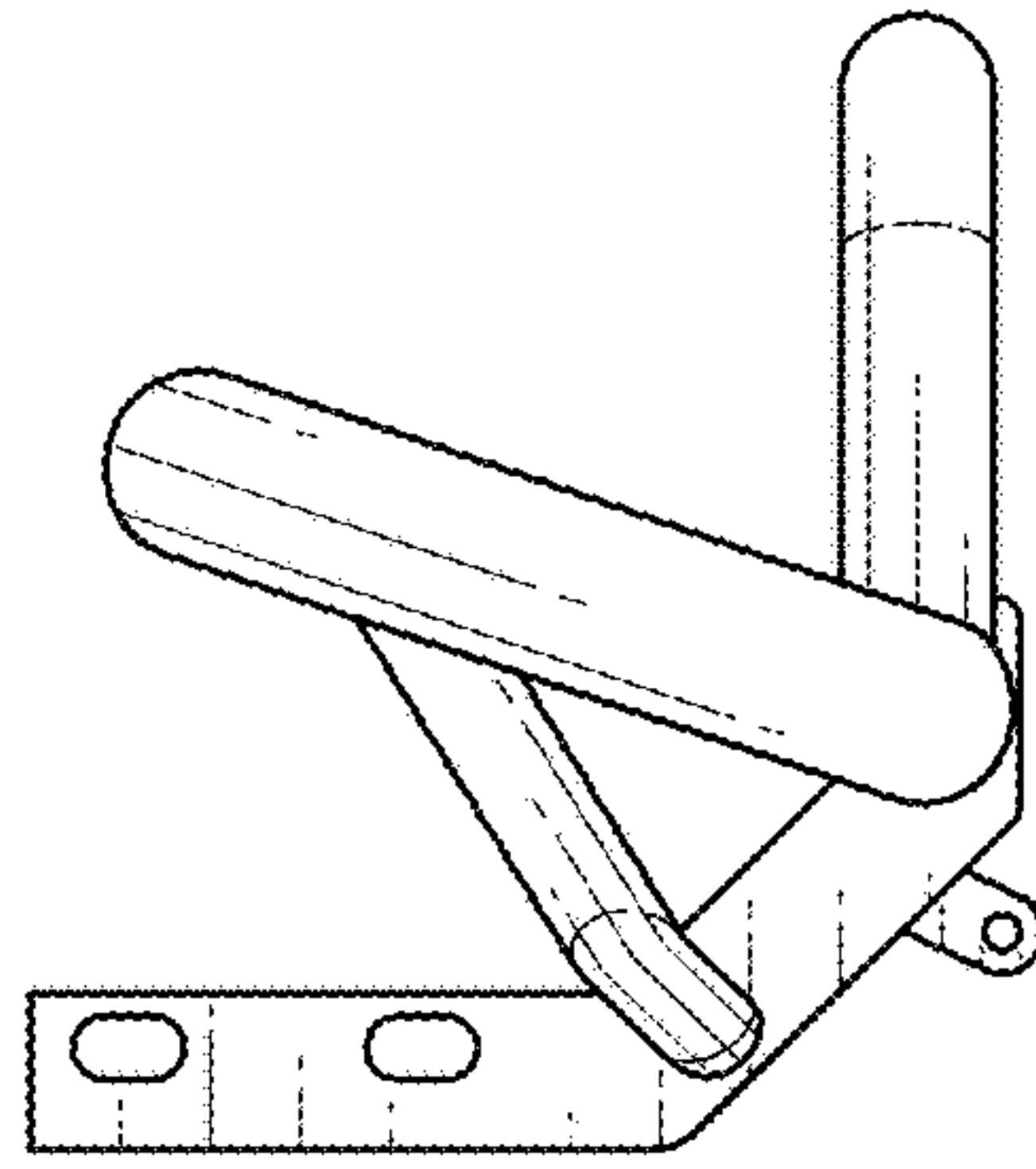


FIG. 5

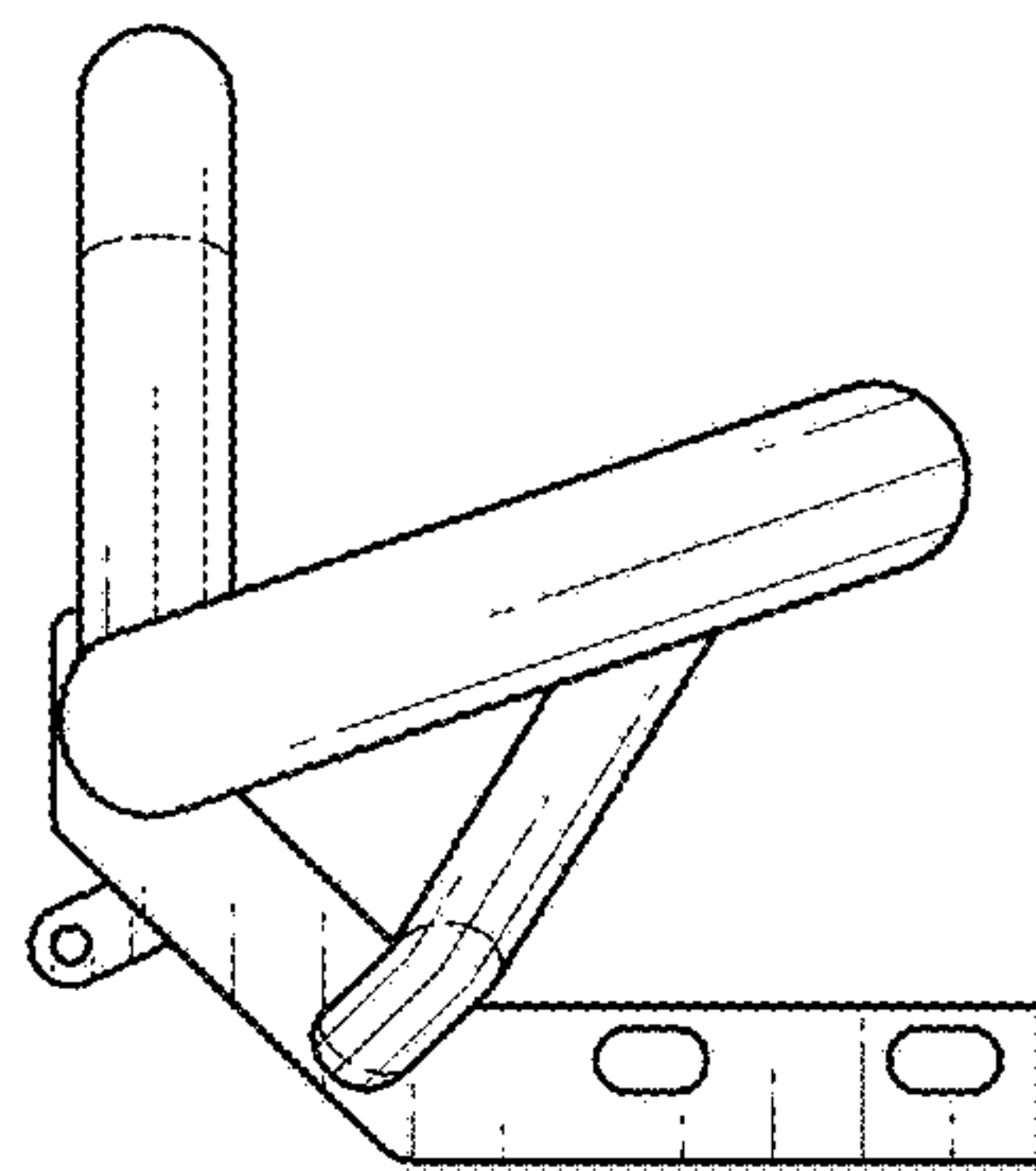


FIG. 6

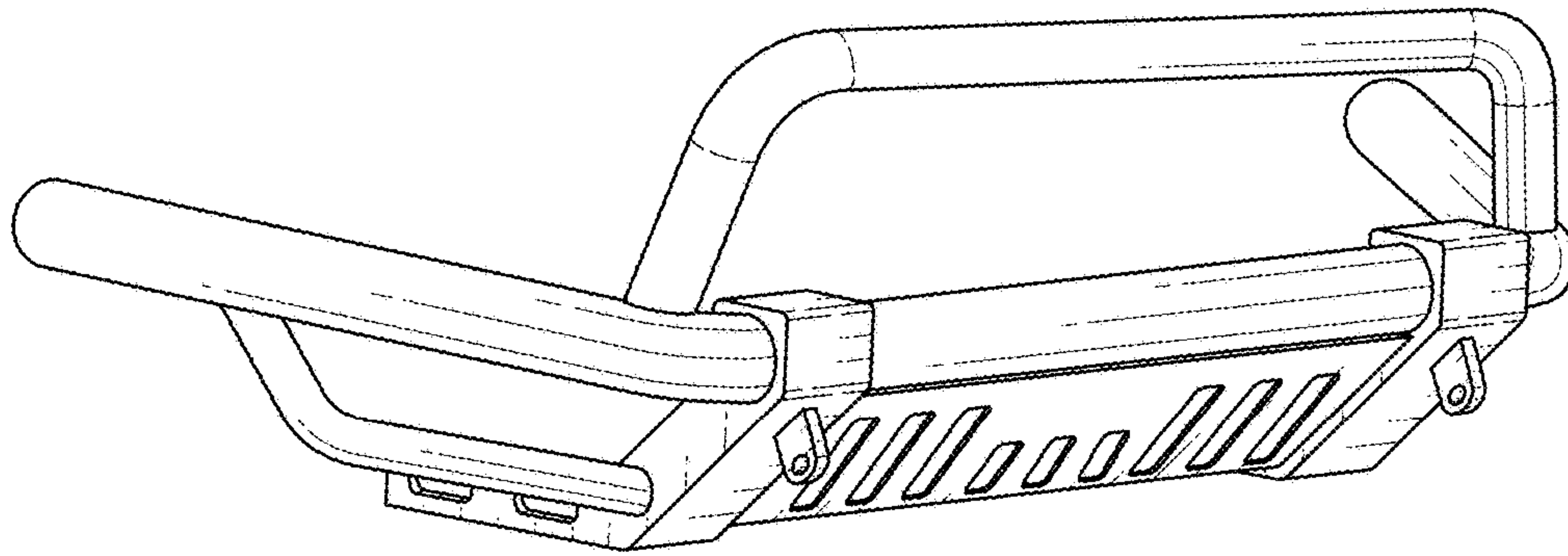


FIG. 7

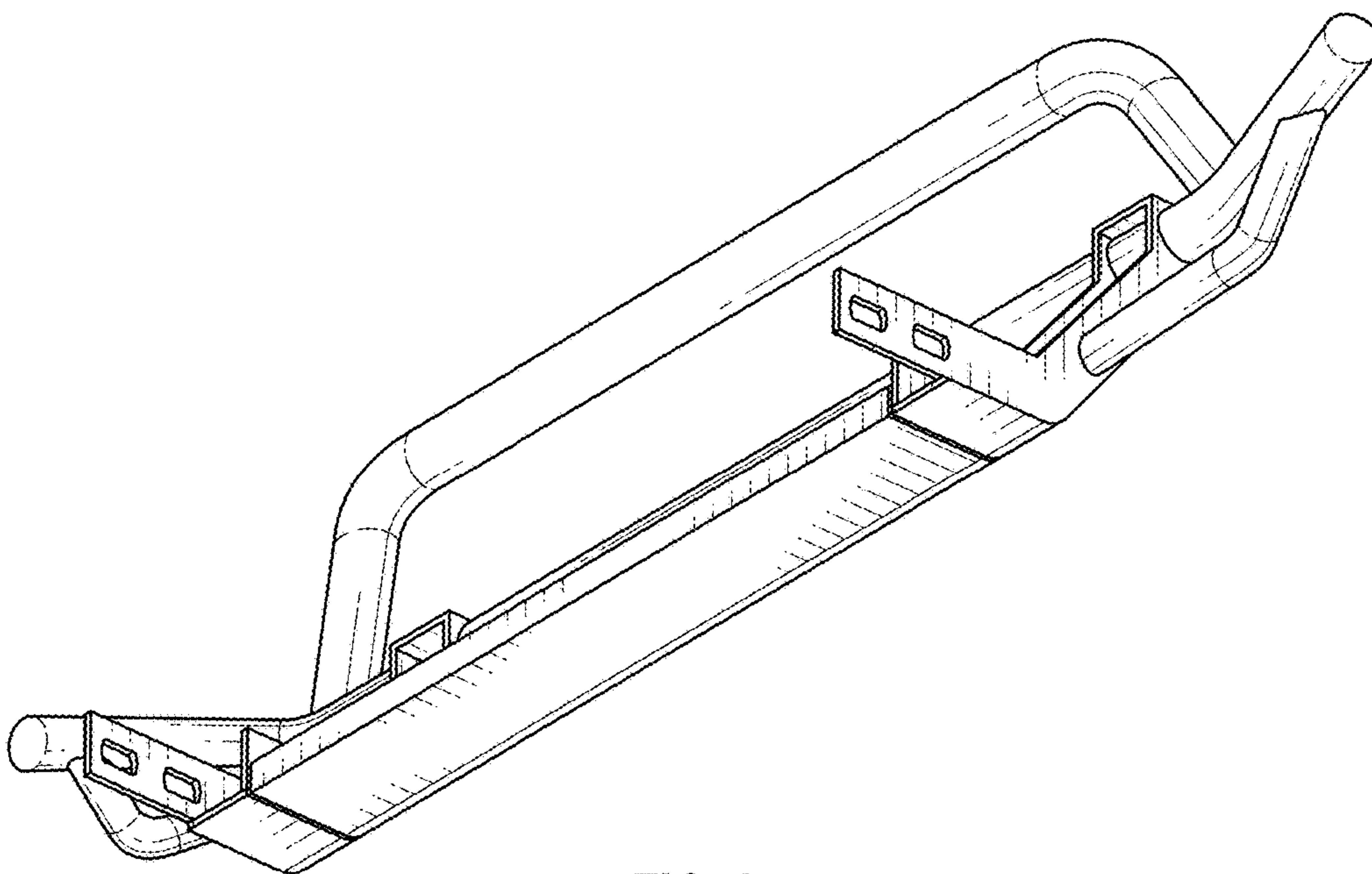


FIG. 8