



US00D869346S

(12) **United States Design Patent**
Berger et al.

(10) **Patent No.:** **US D869,346 S**

(45) **Date of Patent:** **** Dec. 10, 2019**

(54) **ASSISTIVE MOBILITY DEVICE**

(71) Applicant: **Ergosentri Concepts Inc.**, Vancouver (CA)

(72) Inventors: **Jean-Pierre Berger**, Vancouver (CA); **Gordon Thiessen**, Burnaby (CA); **Lisa Boulton**, Burnaby (CA); **Ernie Janzen**, Burnaby (CA); **Johanne Mattie**, Burnaby (CA)

(73) Assignee: **ERGOSENTRI CONCEPTS INC.**, Vancouver, British Columbia (CA)

(**) Term: **15 Years**

(21) Appl. No.: **29/648,445**

(22) Filed: **May 21, 2018**

(30) **Foreign Application Priority Data**

Nov. 24, 2017 (CA) 178397

(51) **LOC (12) Cl.** **12-12**

(52) **U.S. Cl.**
USPC **D12/130**

(58) **Field of Classification Search**
USPC D12/128-133
CPC A61H 3/00; A61H 3/04; A61H 2003/001-007; A61H 2003/043; A61H 2003/046

See application file for complete search history.

(56) **References Cited**

U.S. PATENT DOCUMENTS

D396,833 S * 8/1998 Eidt D12/112
6,003,532 A * 12/1999 Pi A61H 3/04
135/67

D420,624 S * 2/2000 Gonzalez D12/130
D497,845 S * 11/2004 Twigg D12/130
6,877,519 B2 * 4/2005 Fink A61H 3/04
135/67
D517,455 S * 3/2006 Allen D12/130
D561,065 S * 2/2008 Kindberg D12/130
D567,720 S * 4/2008 Graham D12/112
D618,140 S * 6/2010 Sanderson D12/130
D636,709 S * 4/2011 Cho D12/130
D651,946 S * 1/2012 Funk D12/130
D756,272 S * 5/2016 Okubo D12/130
D770,944 S * 11/2016 Aschenbrenner D12/130

* cited by examiner

Primary Examiner — Charles D Hanson

(74) *Attorney, Agent, or Firm* — Lewis Roca Rothgerber Christie LLP

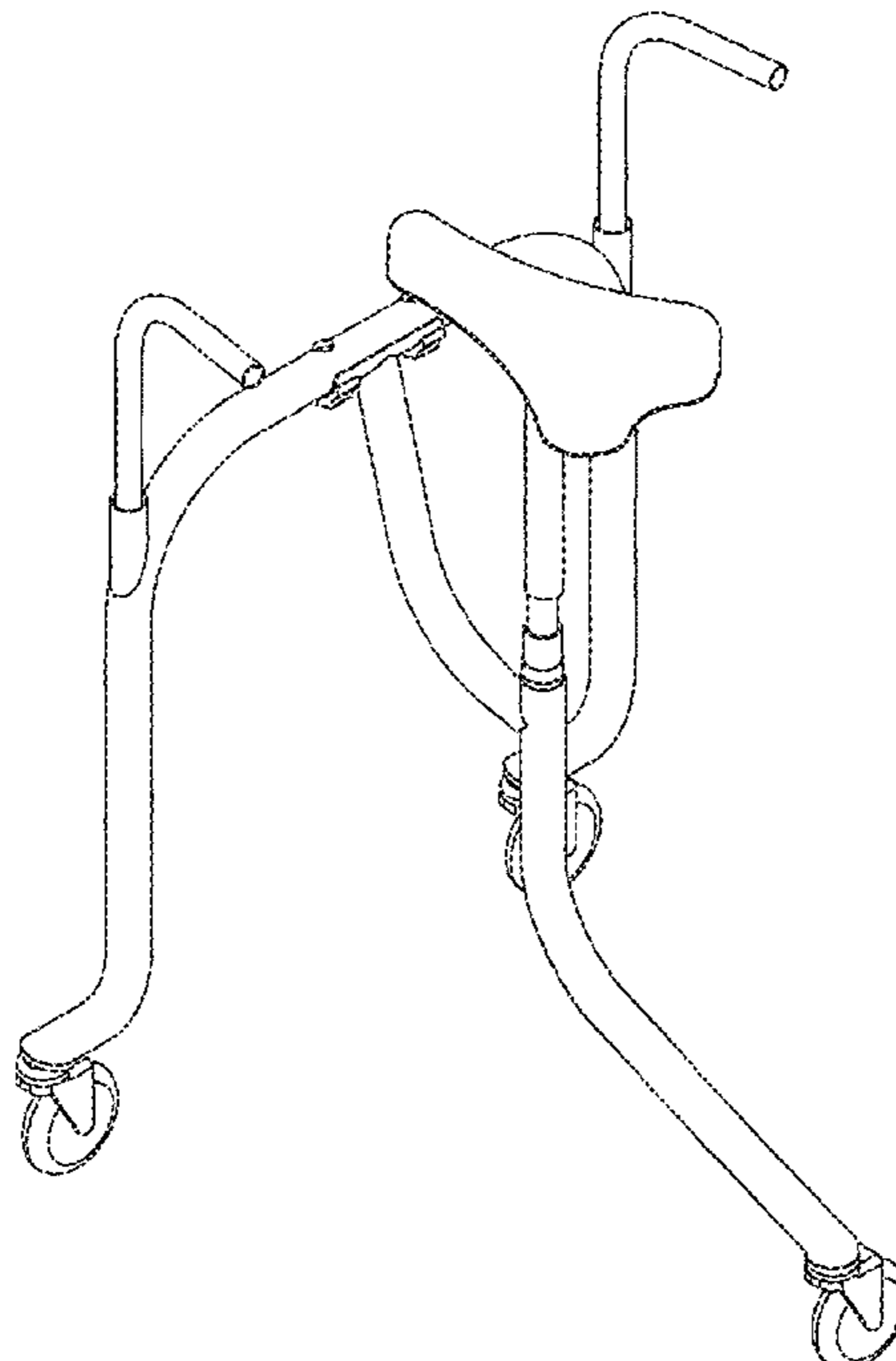
(57) **CLAIM**

The ornamental design for an assistive mobility device, as shown and described.

DESCRIPTION

FIG. 1 is a top view of an assistive mobility device;
FIG. 2 is a bottom view thereof;
FIG. 3 is a front view thereof;
FIG. 4 is a perspective view of thereof;
FIG. 5 is a rear view thereof;
FIG. 6 is a right side view thereof; and,
FIG. 7 is a left side view thereof.

1 Claim, 7 Drawing Sheets



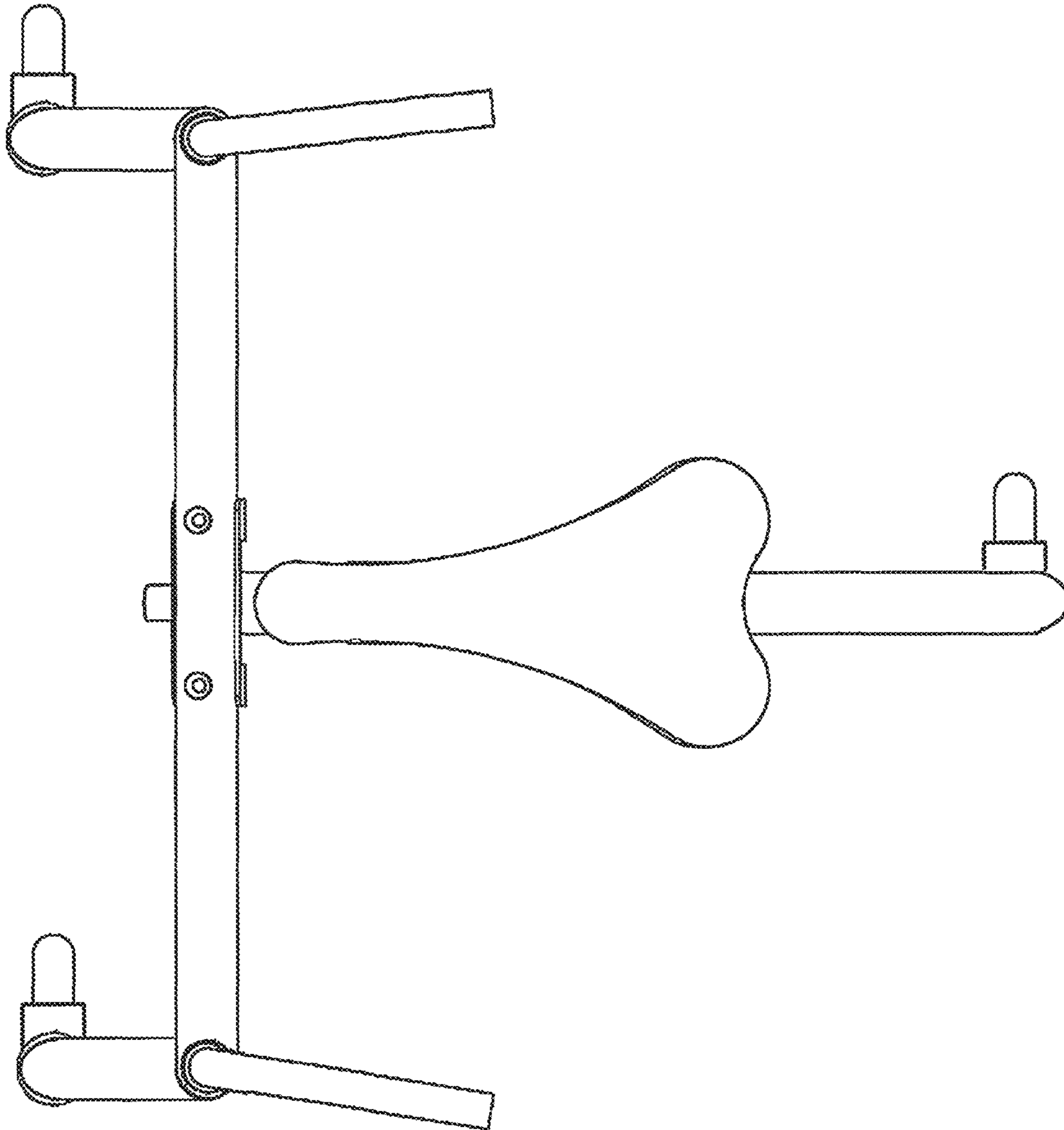


Fig. 1

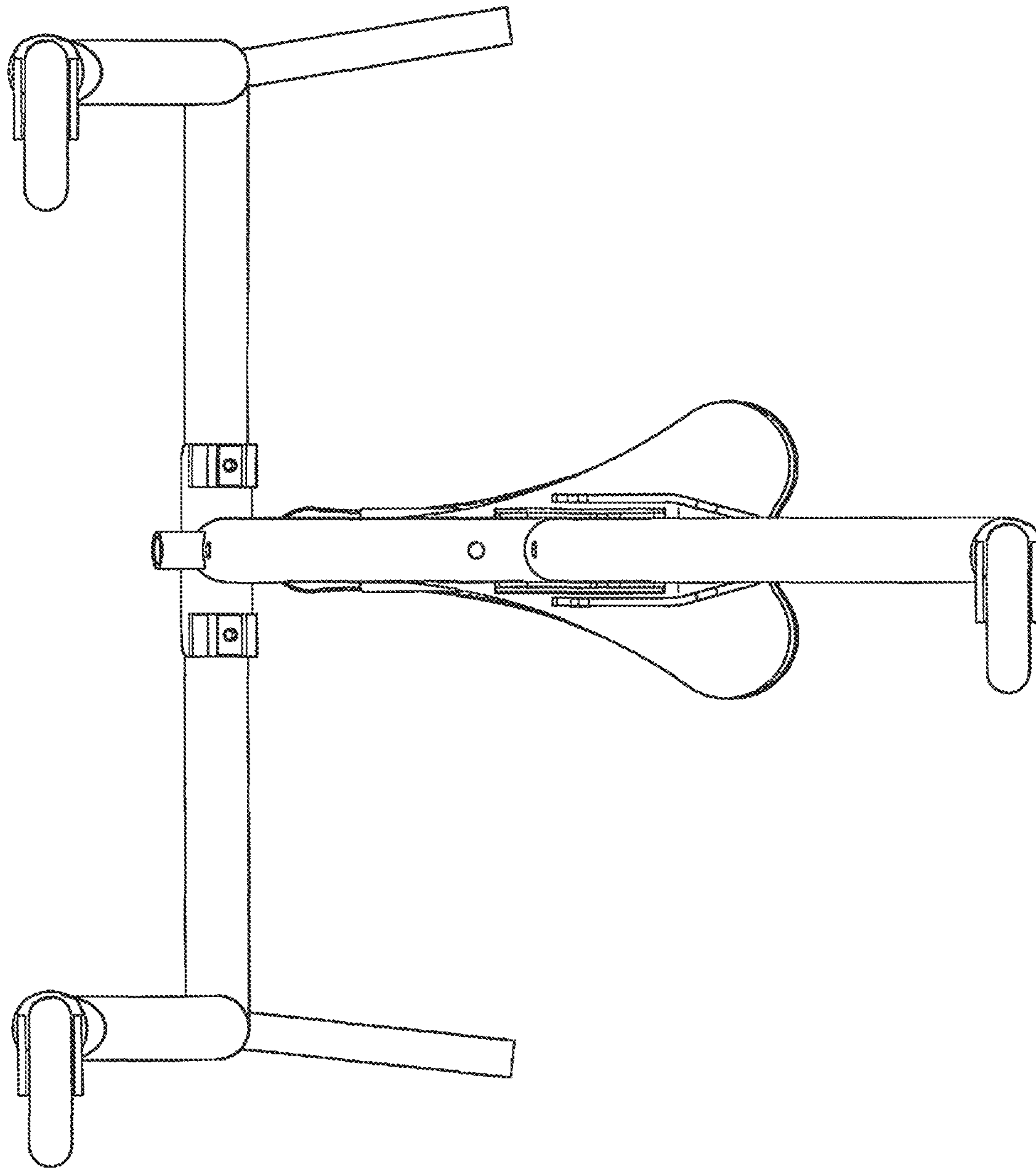


Fig. 2

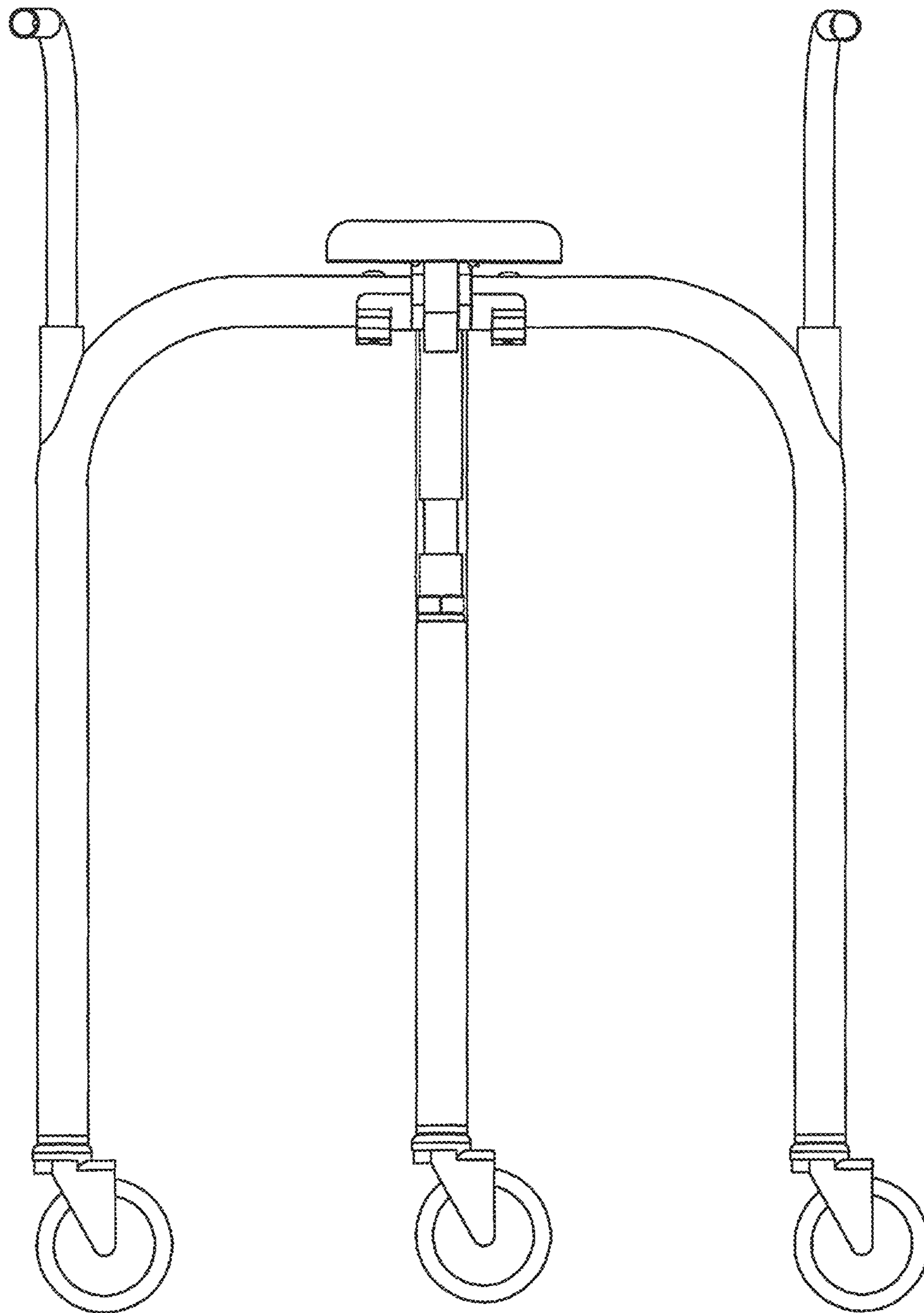


Fig. 3

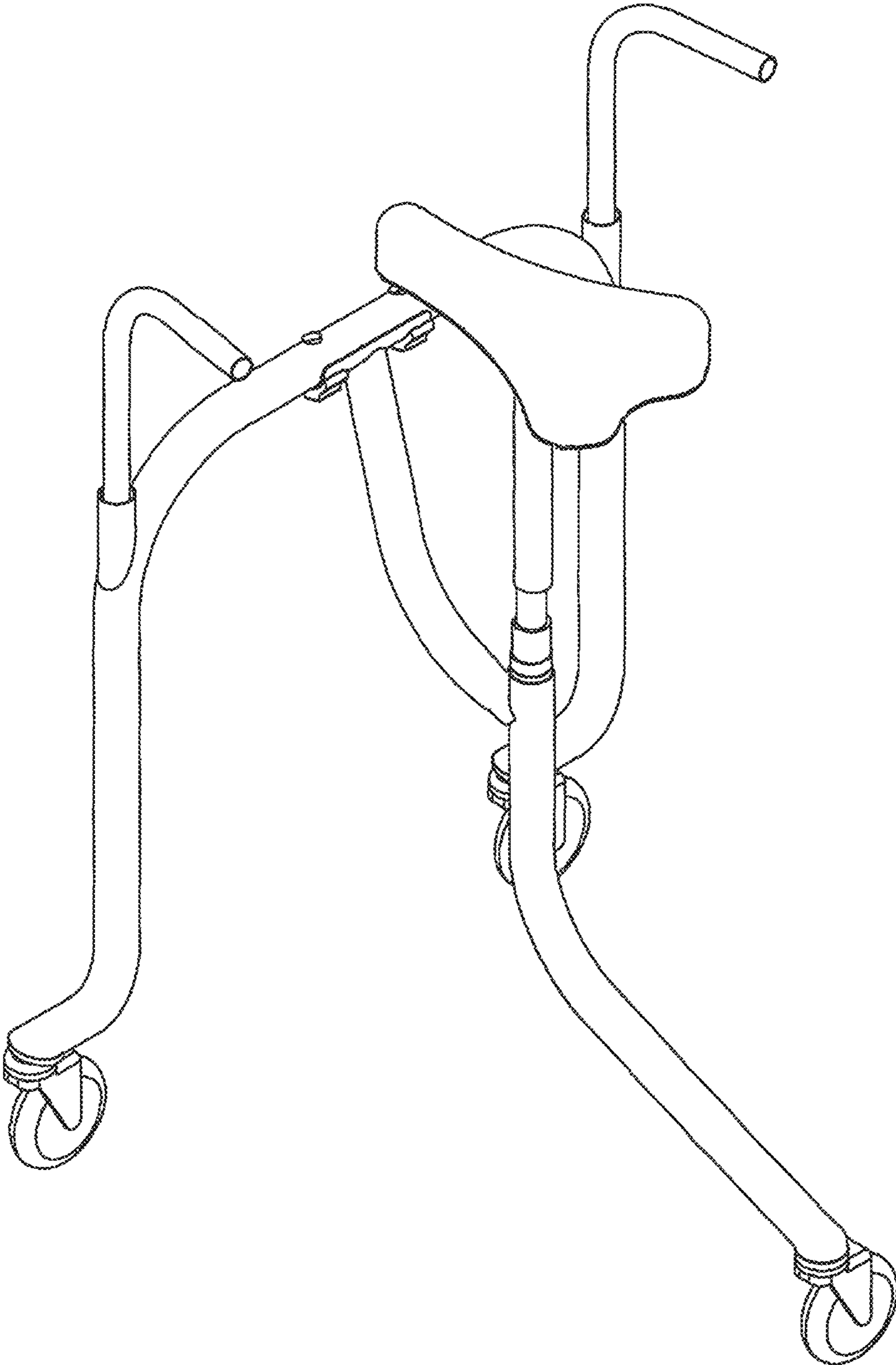


Fig. 4

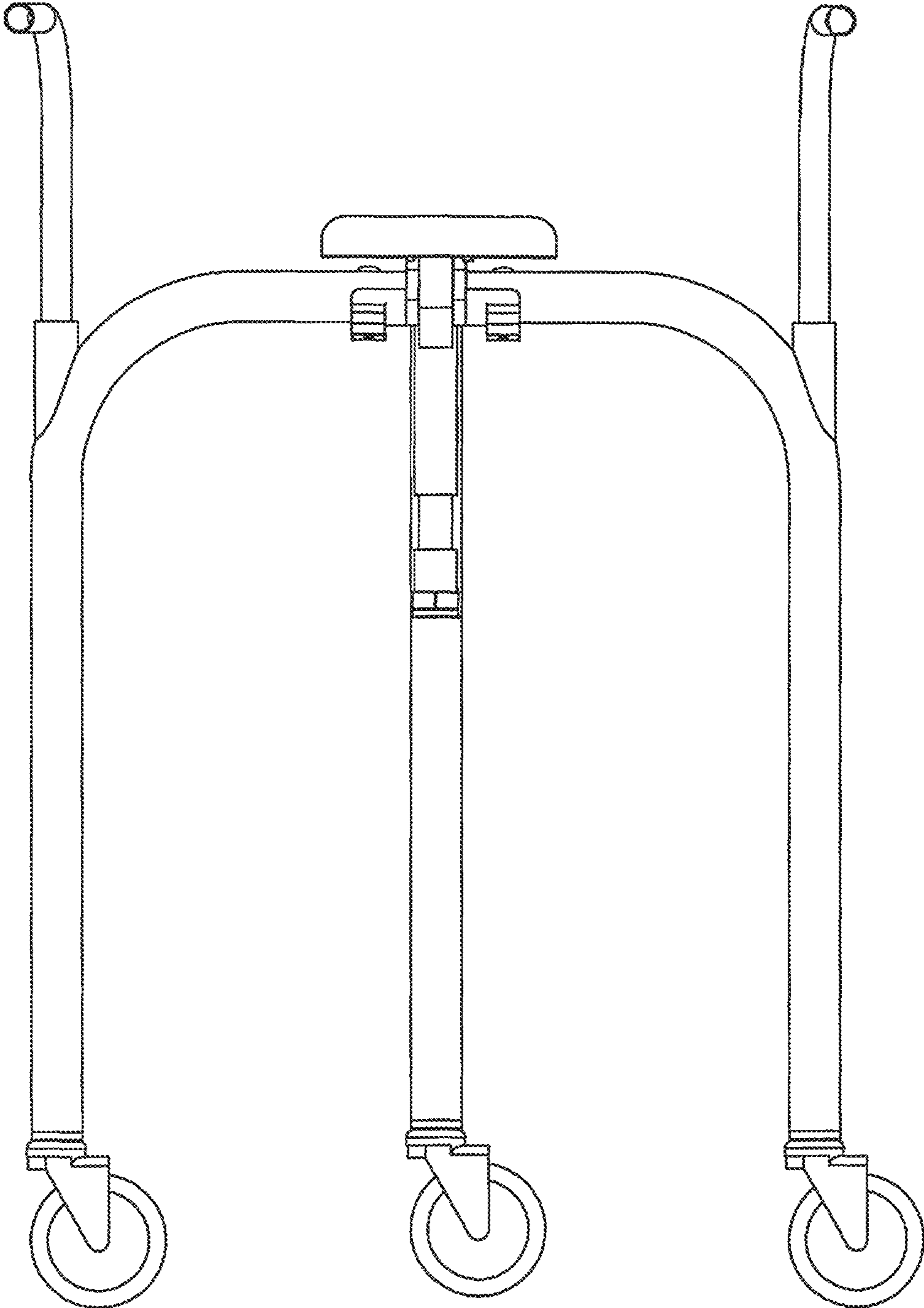


Fig. 5

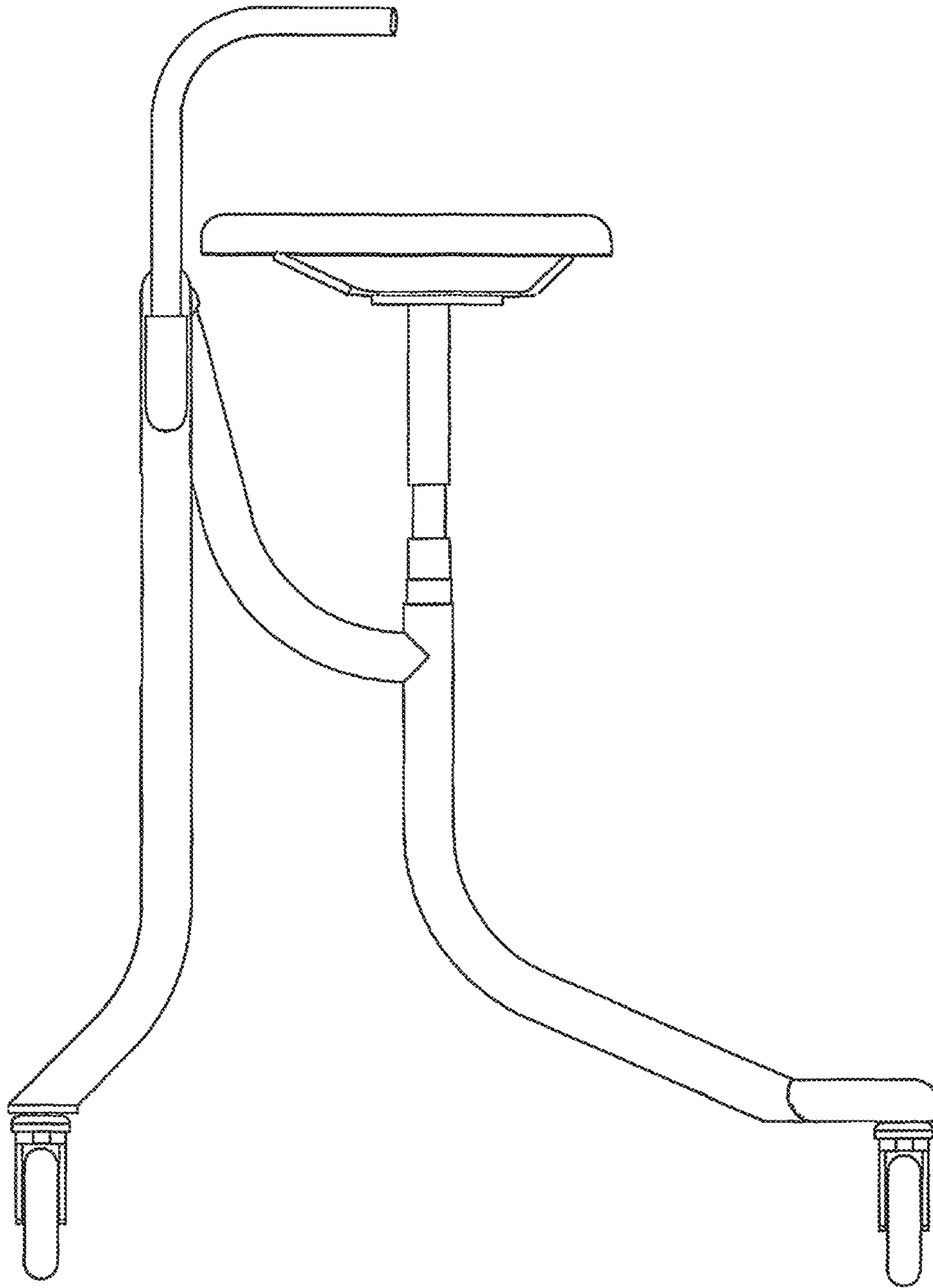


Fig. 6

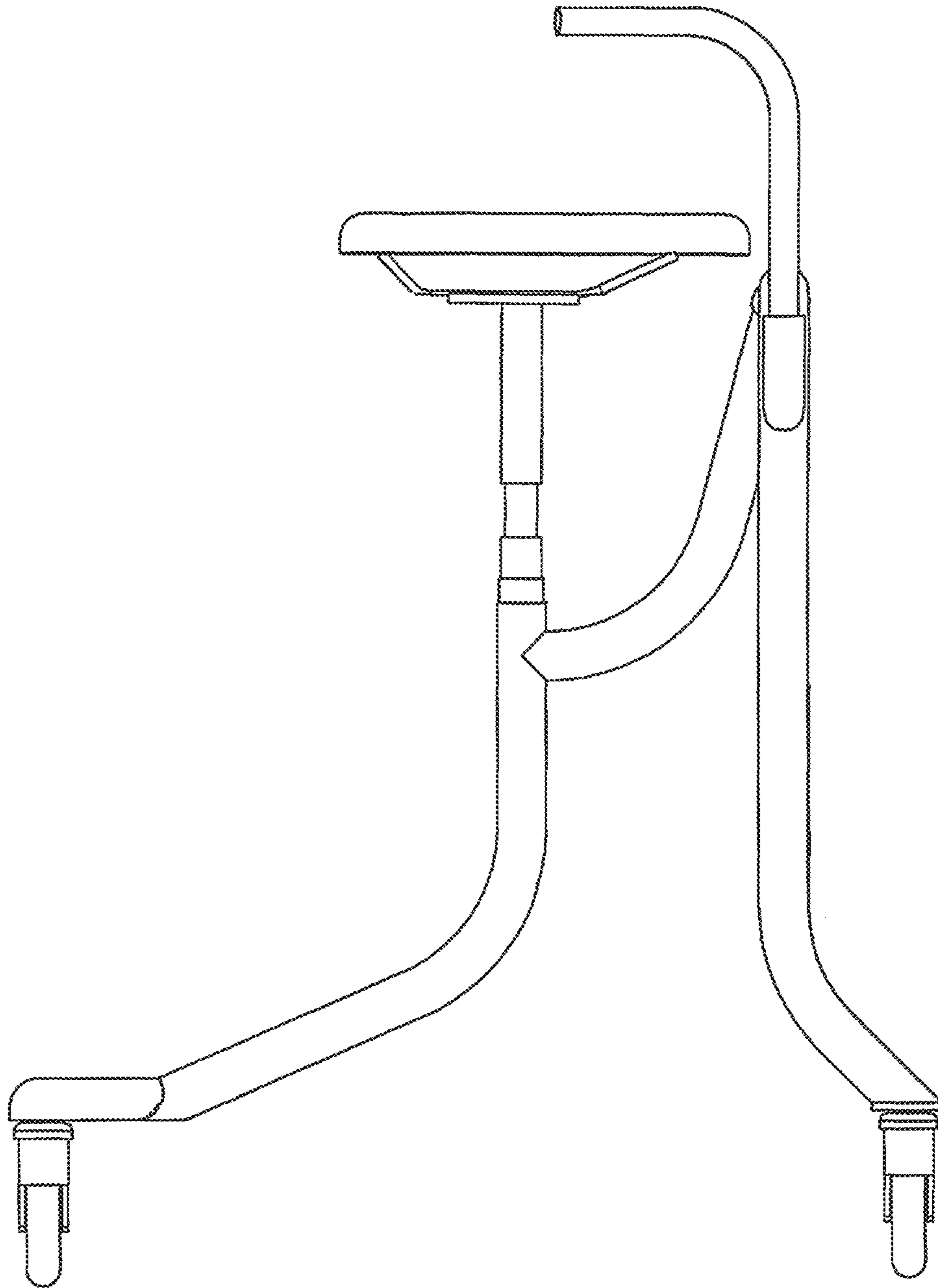


Fig. 7