

US00D869344S

(12) **United States Design Patent**  
**Oakes**

(10) **Patent No.:** **US D869,344 S**

(45) **Date of Patent:** **\*\* Dec. 10, 2019**

(54) **STROLLER**

(71) Applicant: **Stroller Tech Limited**, Hong Kong  
(HK)

(72) Inventor: **Michael John Oakes**, Ipswich (GB)

(73) Assignee: **Stroller Tech Limited**, Hong Kong  
(HK)

(\*\*) Term: **15 Years**

(21) Appl. No.: **29/590,991**

(22) Filed: **Jan. 15, 2017**

(30) **Foreign Application Priority Data**

Jul. 15, 2016 (CN) ..... 2016 3 0325713

(51) **LOC (12) Cl.** ..... **12-12**

(52) **U.S. Cl.**  
USPC ..... **D12/129**

(58) **Field of Classification Search**

USPC ..... D12/128-133  
CPC ..... B62B 7/00-04; B62B 9/00-28  
See application file for complete search history.

(56) **References Cited**

**U.S. PATENT DOCUMENTS**

D375,707 S \* 11/1996 Yang ..... D12/129  
D519,422 S \* 4/2006 Huang ..... D12/129  
7,267,359 B1 \* 9/2007 Yang ..... B62B 7/08  
280/47.34

7,364,171 B2 \* 4/2008 Hu ..... B60B 1/006  
280/47.38  
D578,044 S \* 10/2008 Chen ..... D12/129  
D596,996 S \* 7/2009 Yang ..... D12/129  
D621,306 S \* 8/2010 Liao ..... D12/129  
D643,343 S \* 8/2011 Song ..... D12/129  
D661,624 S \* 6/2012 Stopp ..... D12/129  
D672,692 S \* 12/2012 Jane Santamaria ..... D12/129  
D677,605 S \* 3/2013 Ide ..... D12/129  
2003/0111825 A1 \* 6/2003 Lo ..... B62B 7/145  
280/642  
2005/0098982 A1 \* 5/2005 Huang ..... B62B 7/08  
280/642

\* cited by examiner

*Primary Examiner* — Charles D Hanson

(74) *Attorney, Agent, or Firm* — Barlow, Josephs &  
Holmes, Ltd.

(57) **CLAIM**

The ornamental design for a stroller, as shown and described.

**DESCRIPTION**

FIG. 1 is a perspective view of a first embodiment of the stroller;

FIG. 2 is a right view thereof;

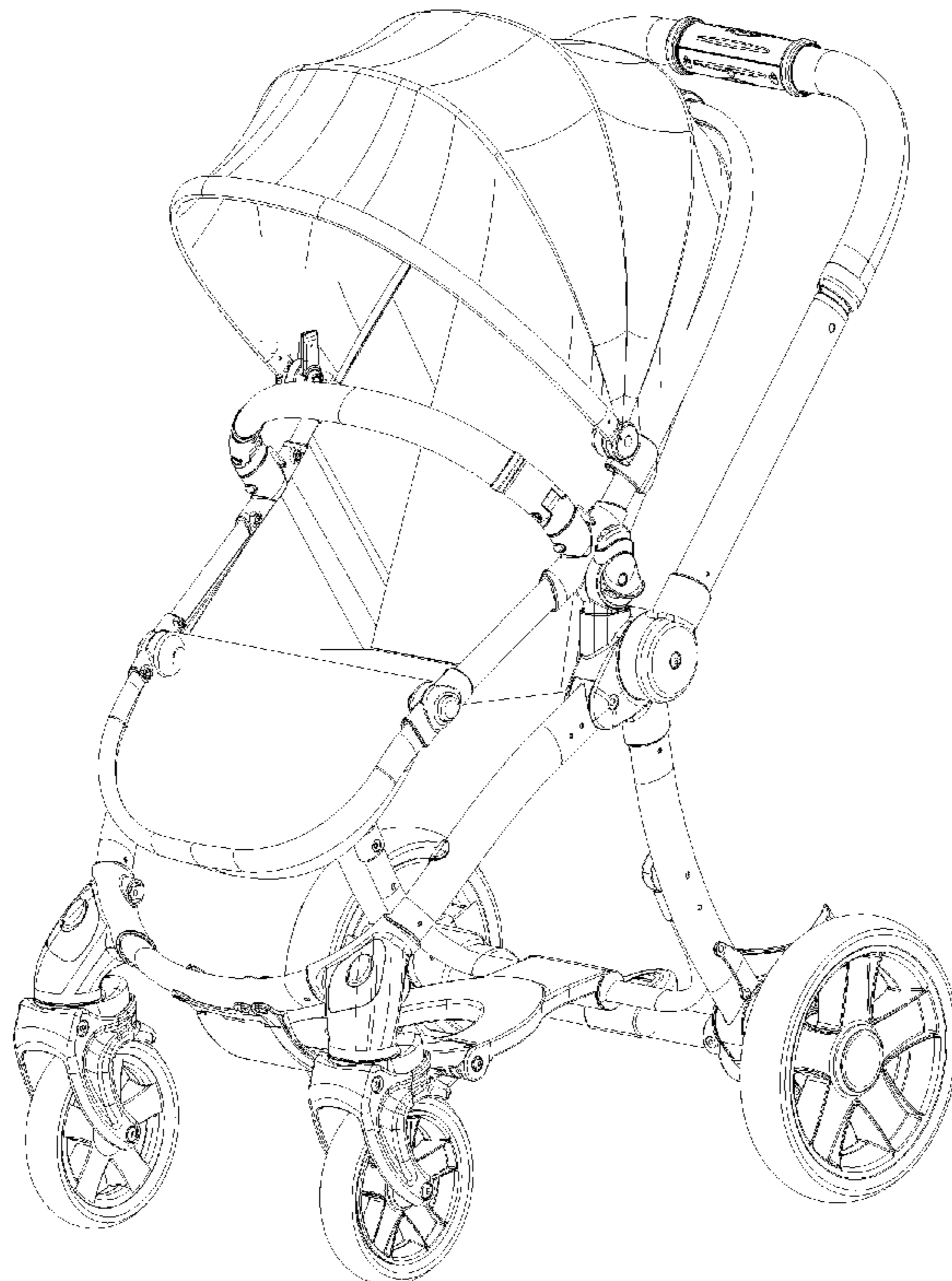
FIG. 3 is top view thereof;

FIG. 4 is a bottom view thereof;

FIG. 5 is a front view thereof; and,

FIG. 6 is a rear view thereof.

**1 Claim, 6 Drawing Sheets**



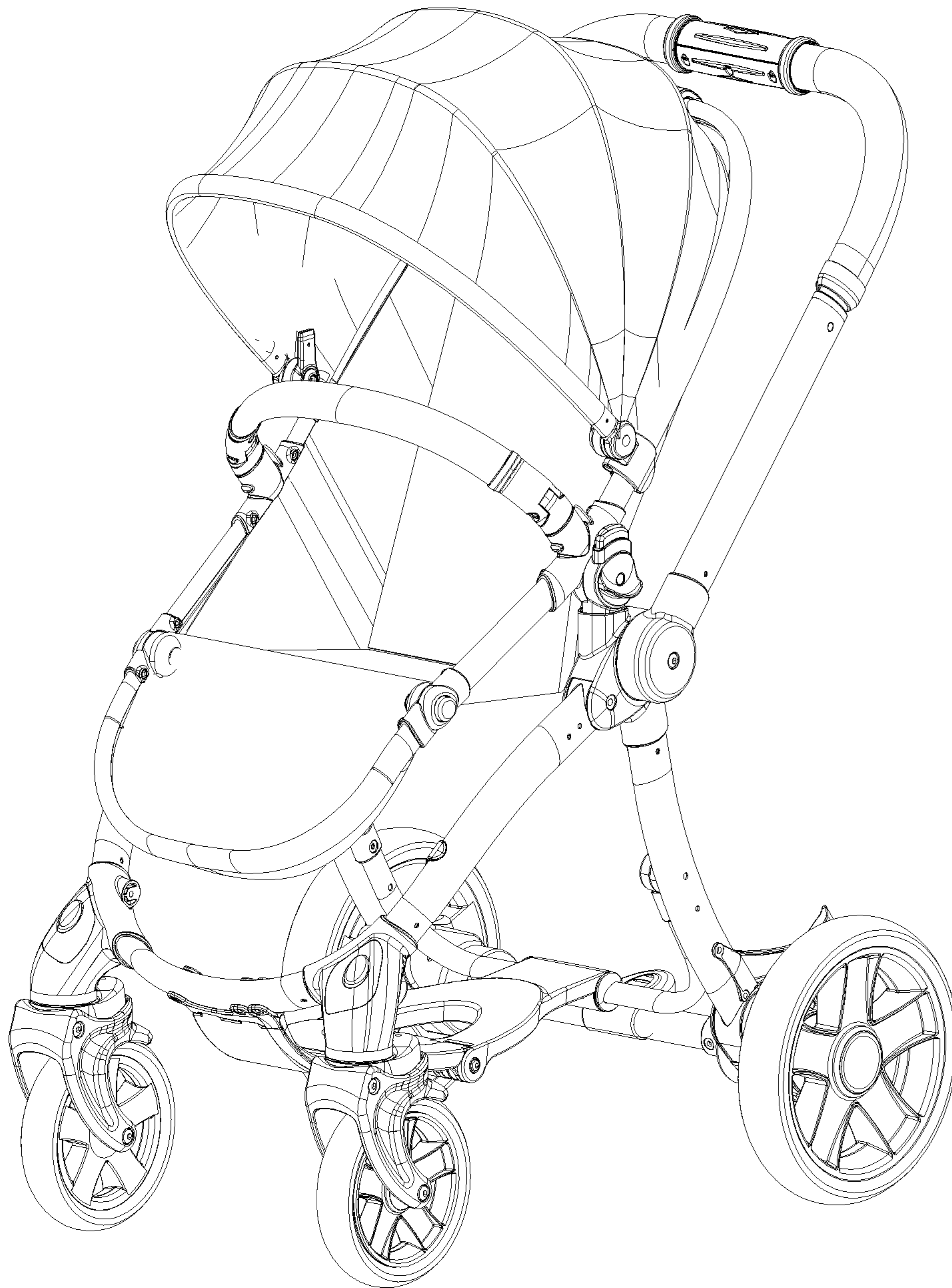


FIG. 1

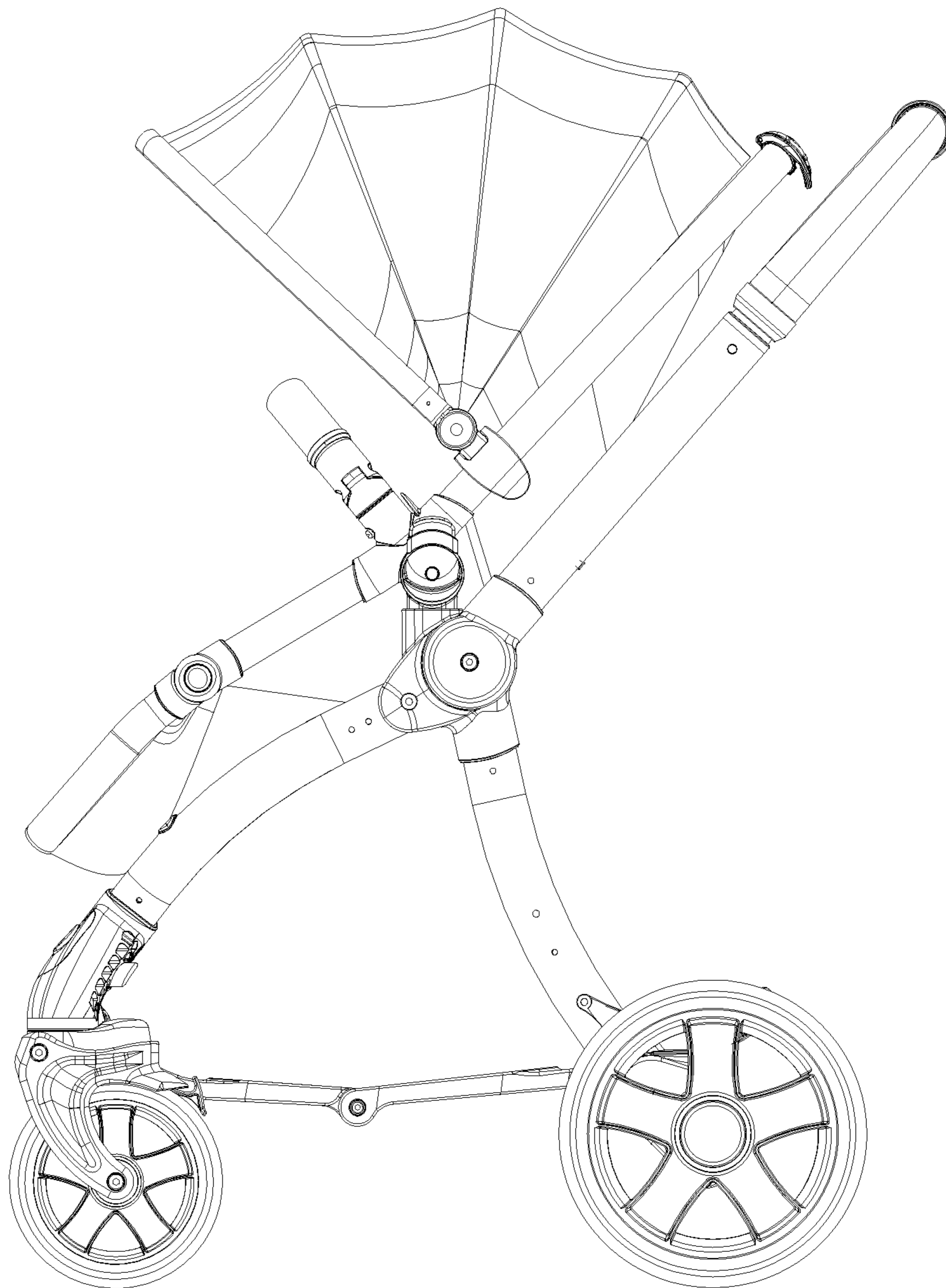


FIG. 2

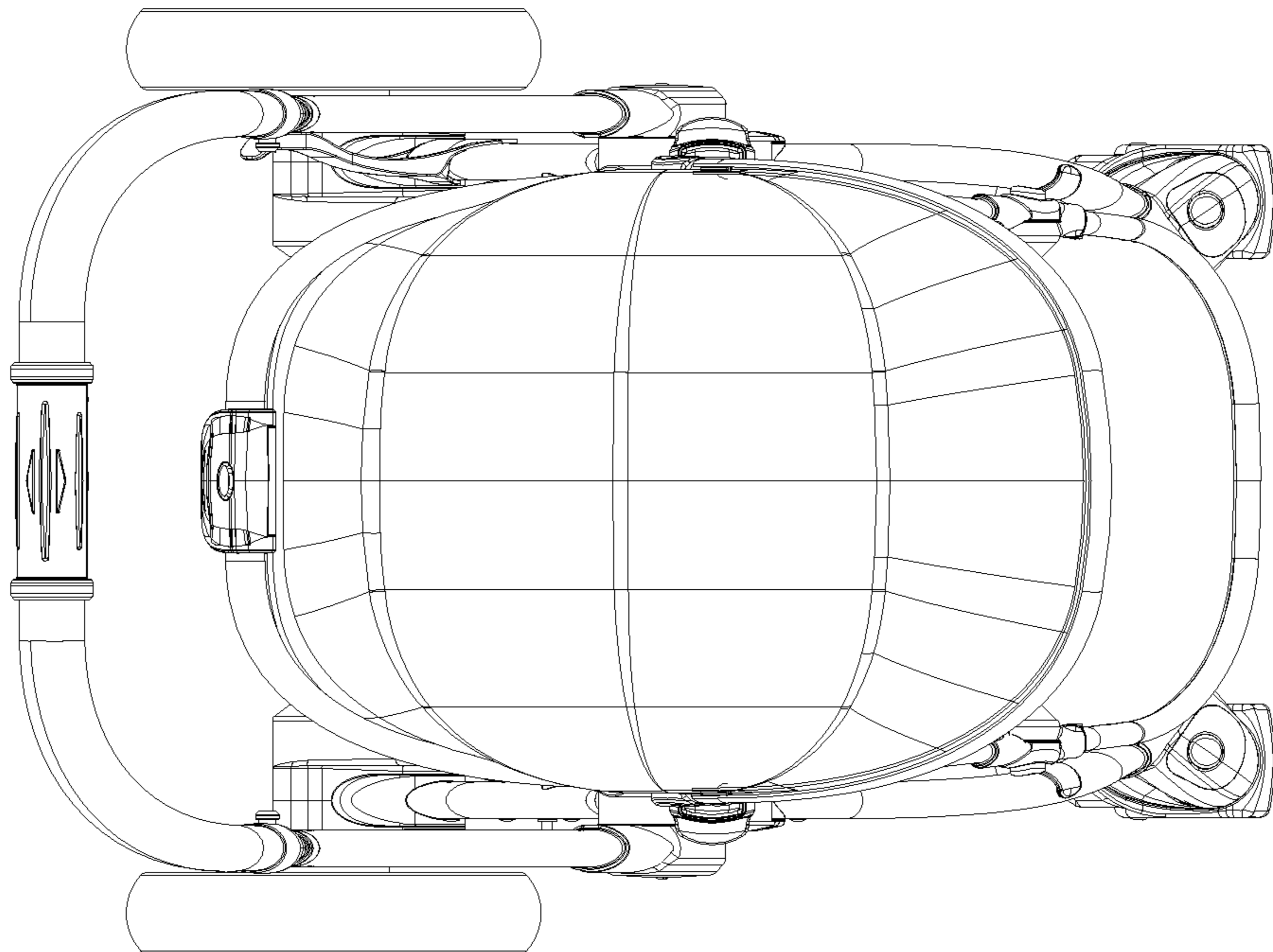


FIG. 3

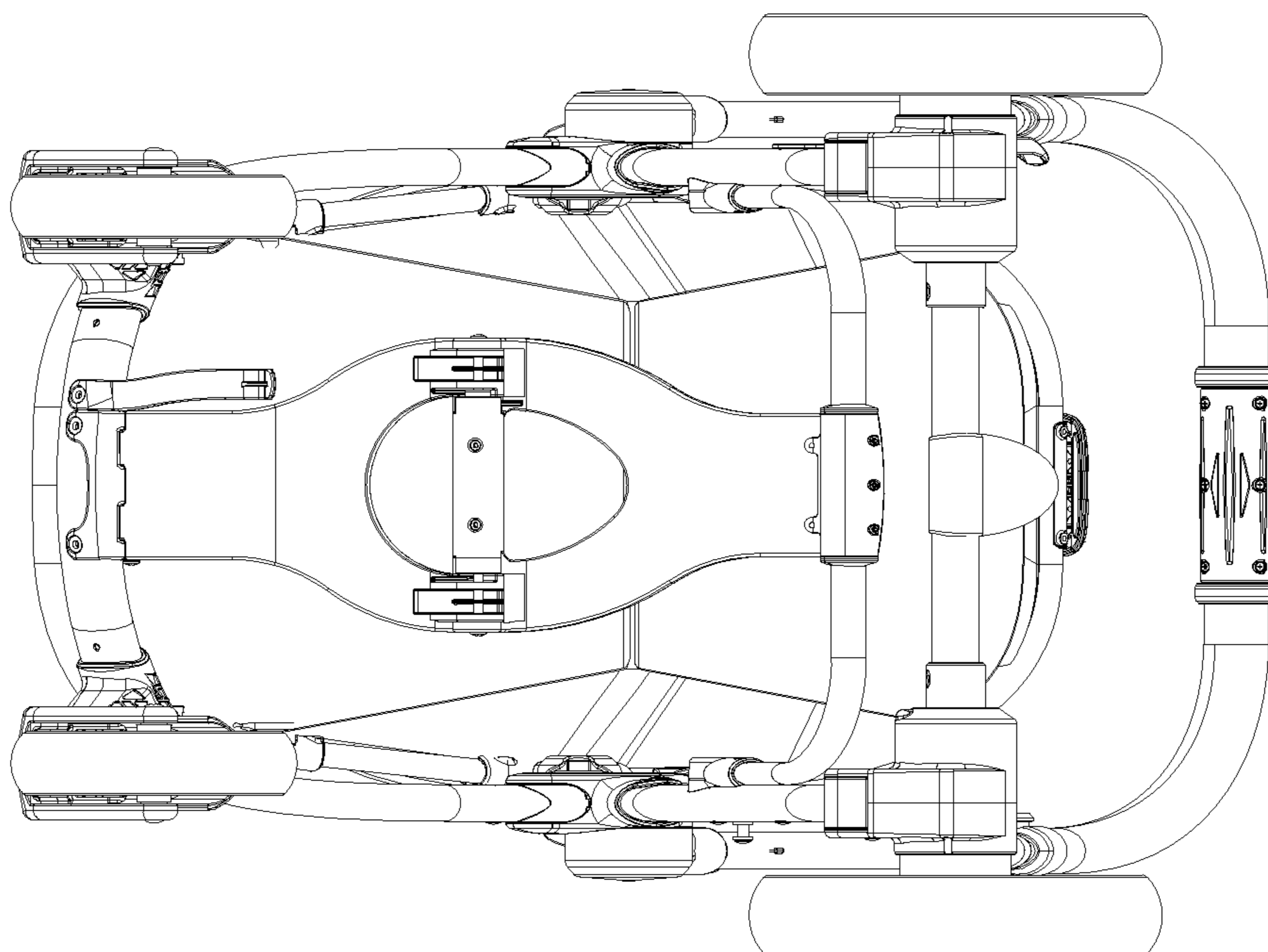


FIG. 4

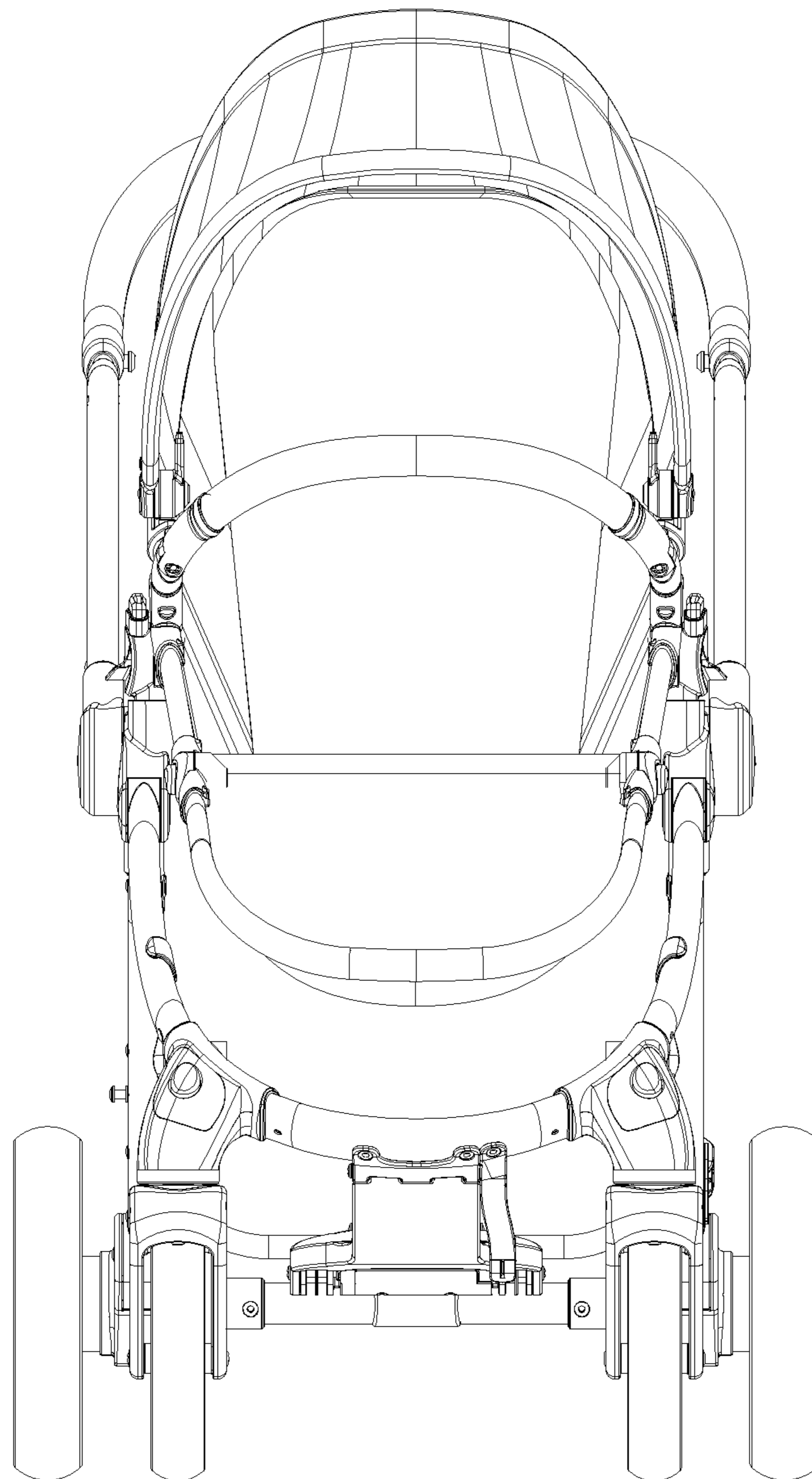


FIG. 5

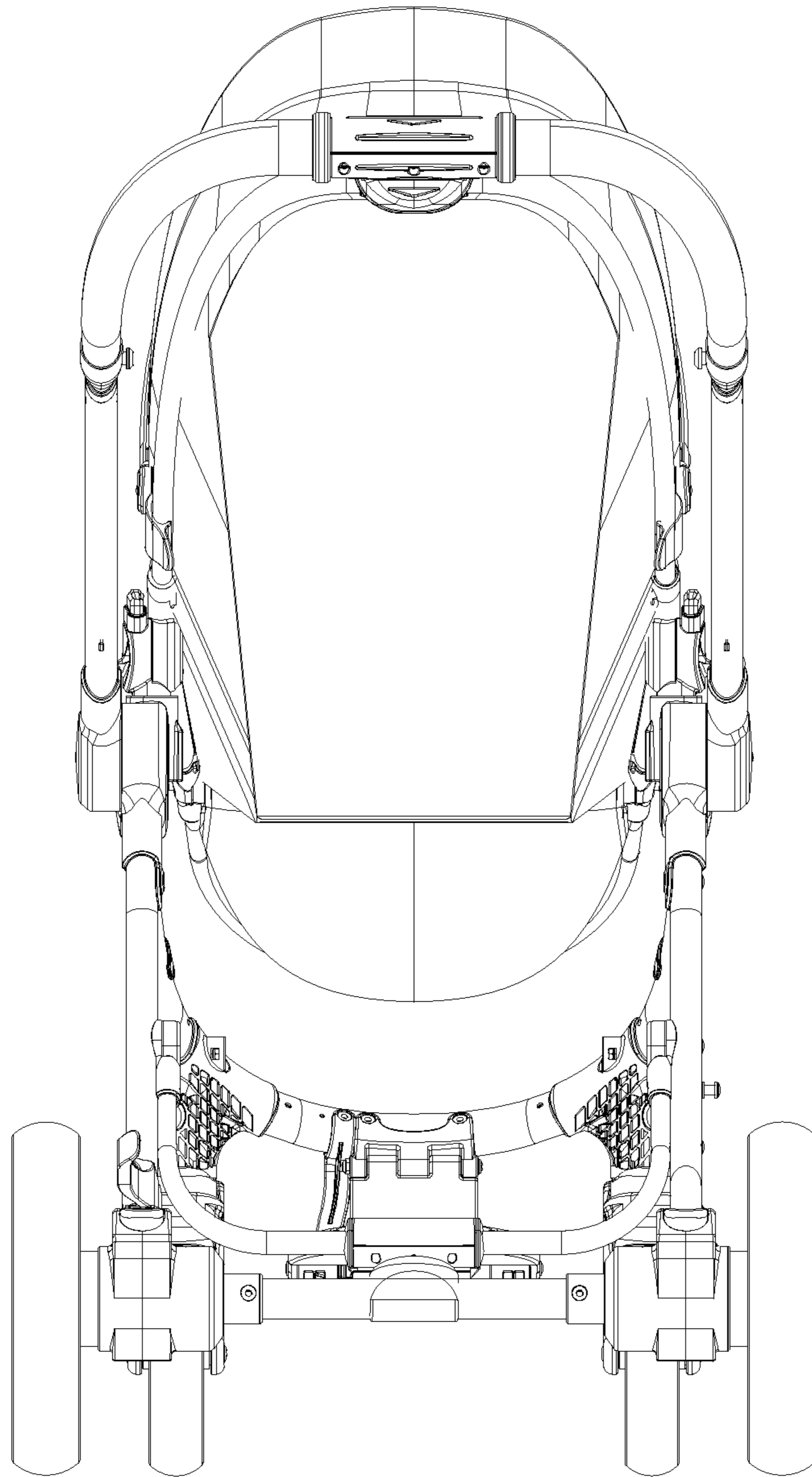


FIG. 6