

US00D869343S

(12) **United States Design Patent** (10) **Patent No.:** **US D869,343 S**  
**Taylor et al.** (45) **Date of Patent:** **\*\* Dec. 10, 2019**

(54) **PERAMBULATOR**

(71) Applicant: **Silver Cross (IP) Limited**, Skipton, North Yorkshire (GB)

(72) Inventors: **Philip Taylor**, Skipton (GB); **Luke Mallinder**, Skipton (GB)

(73) Assignee: **Silver Cross (IP) Limited**, Skipton, North (GB)

(\*\*) Term: **15 Years**

(21) Appl. No.: **29/587,914**

(22) Filed: **Dec. 16, 2016**

(30) **Foreign Application Priority Data**

Jun. 17, 2016 (EM) ..... 003227800

(51) **LOC (12) Cl.** ..... **12-12**

(52) **U.S. Cl.**  
USPC ..... **D12/129**

(58) **Field of Classification Search**  
USPC ..... D12/128-133

(Continued)

(56) **References Cited**

**U.S. PATENT DOCUMENTS**

D375,707 S \* 11/1996 Yang ..... D12/129  
D519,422 S \* 4/2006 Huang ..... D12/129

(Continued)

**FOREIGN PATENT DOCUMENTS**

CN 201169278 Y 12/2008  
CN 201272392 Y 7/2009

(Continued)

**OTHER PUBLICATIONS**

United Kingdom Search Report issued in Application No. GB1610580.1 dated Oct. 3, 2016, 4 pgs.

*Primary Examiner* — Charles D Hanson

(74) *Attorney, Agent, or Firm* — Woodard, Emhardt, Henry, Reeves & Wagner, LLP; Charles Meyer

(57) **CLAIM**

The ornamental design for a perambulator, as shown and described.

**DESCRIPTION**

FIG. 1A is a front view of the perambulator in a configuration with one bassinet.

FIG. 1B is a rear view of the perambulator as configured in FIG. 1A.

FIG. 1C is a left side view of the perambulator as configured in FIG. 1A.

FIG. 1D is a right side view of the perambulator as configured in FIG. 1A.

FIG. 1E is a top view of the perambulator as configured in FIG. 1A.

FIG. 1F is a bottom view of the perambulator as configured in FIG. 1A.

FIG. 2A is a front view of the perambulator in a configuration with one stroller seat.

FIG. 2B is a rear view of the perambulator as configured in FIG. 2A.

FIG. 2C is a left side view of the perambulator as configured in FIG. 2A.

FIG. 2D is a right side view of the perambulator as configured in FIG. 2A.

FIG. 2E is a top view of the perambulator as configured in FIG. 2A.

FIG. 2F is a bottom view of the perambulator as configured in FIG. 2A.

FIG. 3A is a front view of the perambulator in a tandem configuration with one bassinet and one stroller seat.

FIG. 3B is a rear view of the perambulator as configured in FIG. 3A.

FIG. 3C is a left side view of the perambulator as configured in FIG. 3A.

FIG. 3D is a right side view of the perambulator as configured in FIG. 3A.

(Continued)

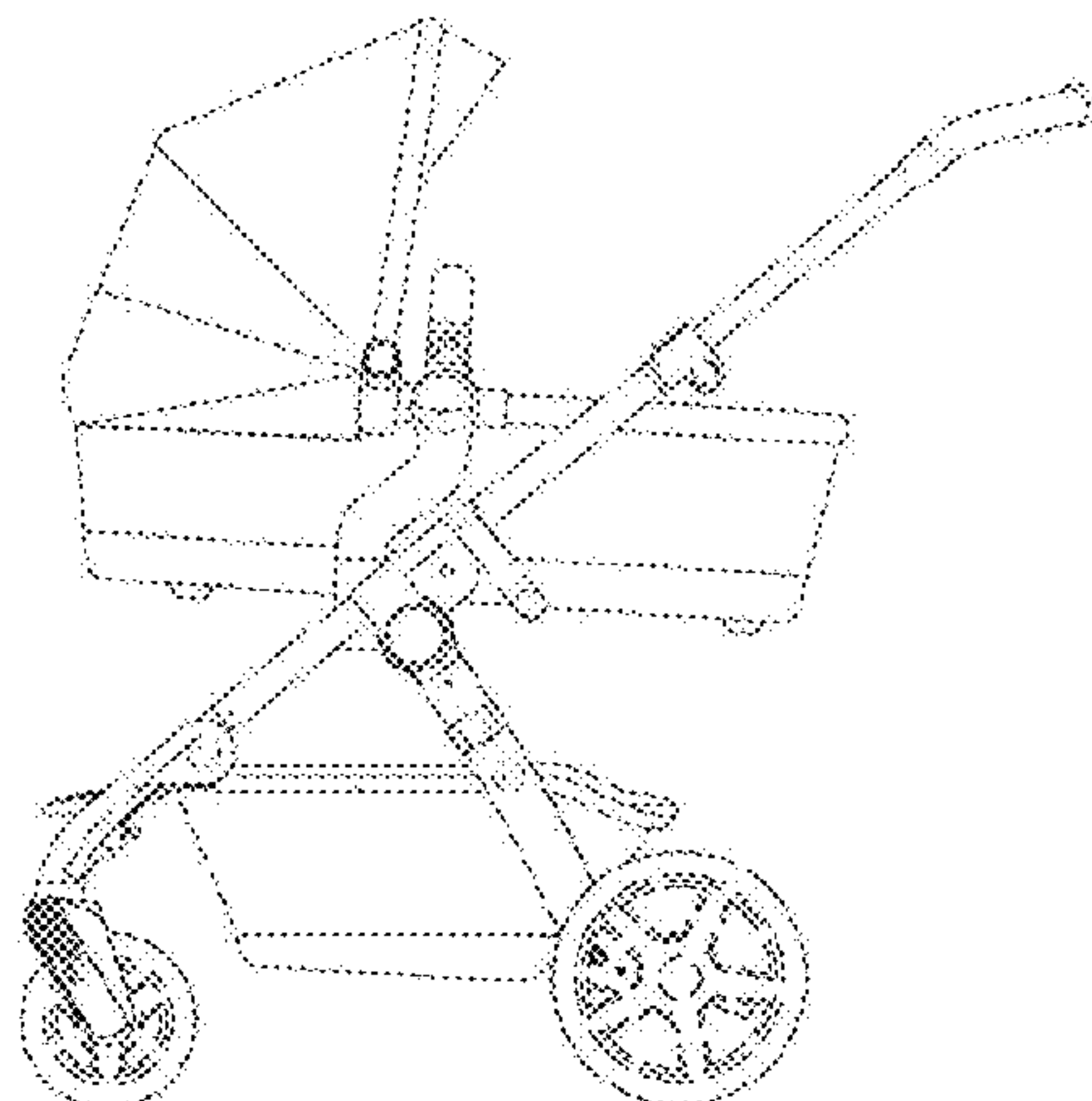






FIG. 14D is a right side view of the perambulator as configured in FIG. 14A.  
 FIG. 14E is a top view of the perambulator as configured in FIG. 14A.  
 FIG. 14F is a bottom view of the perambulator as configured in FIG. 14A.  
 FIG. 15A is a front view of the perambulator in a configuration with one stroller seat.  
 FIG. 15B is a rear view of the perambulator as configured in FIG. 15A.  
 FIG. 15C is a left side view of the perambulator as configured in FIG. 15A.  
 FIG. 15D is a right side view of the perambulator as configured in FIG. 15A.  
 FIG. 15E is a top view of the perambulator as configured in FIG. 15A; and,  
 FIG. 15F is a bottom view of the perambulator as configured in FIG. 15A.  
 The broken line showing is included for the purpose of illustrating the bounds of the claimed design and forms no part of the claimed design.

**1 Claim, 45 Drawing Sheets**

(58) **Field of Classification Search**  
 CPC ..... B62B 7/00-04; B62B 9/00-28  
 See application file for complete search history.

(56)

**References Cited**

U.S. PATENT DOCUMENTS

7,267,359	B1 *	9/2007	Yang	.....	B62B 7/08 280/47.34
7,364,171	B2 *	4/2008	Hu	.....	B60B 1/006 280/47.38
D578,044	S *	10/2008	Chen	.....	D12/129
D596,996	S *	7/2009	Yang	.....	D12/129
D621,306	S *	8/2010	Liao	.....	D12/129
D643,343	S *	8/2011	Song	.....	D12/129
D661,624	S *	6/2012	Stopp	.....	D12/129
D672,692	S *	12/2012	Jane Santamaria	.....	D12/129
D677,605	S *	3/2013	Ide	.....	D12/129
2003/0111825	A1 *	6/2003	Lo	.....	B62B 7/145 280/642
2005/0098982	A1 *	5/2005	Huang	.....	B62B 7/08 280/642

FOREIGN PATENT DOCUMENTS

CN	201777285	U	3/2011
CN	202089099	U	12/2011
CN	202243606	U	5/2012
EP	1 666 336	S2	8/2006
EP	2 805 867	A2	11/2014
GB	2482589	A	2/2012

\* cited by examiner

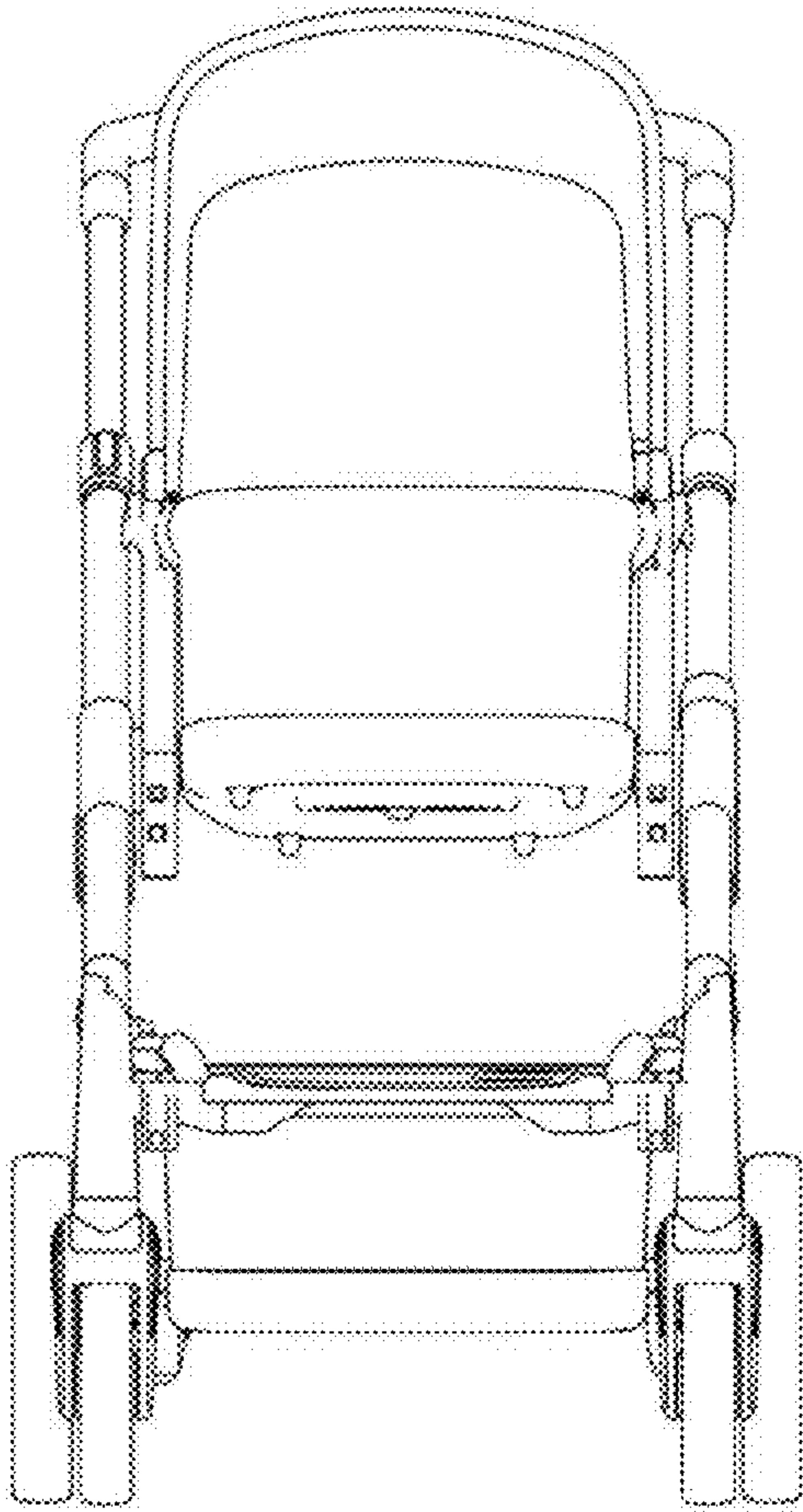


Fig. 1A

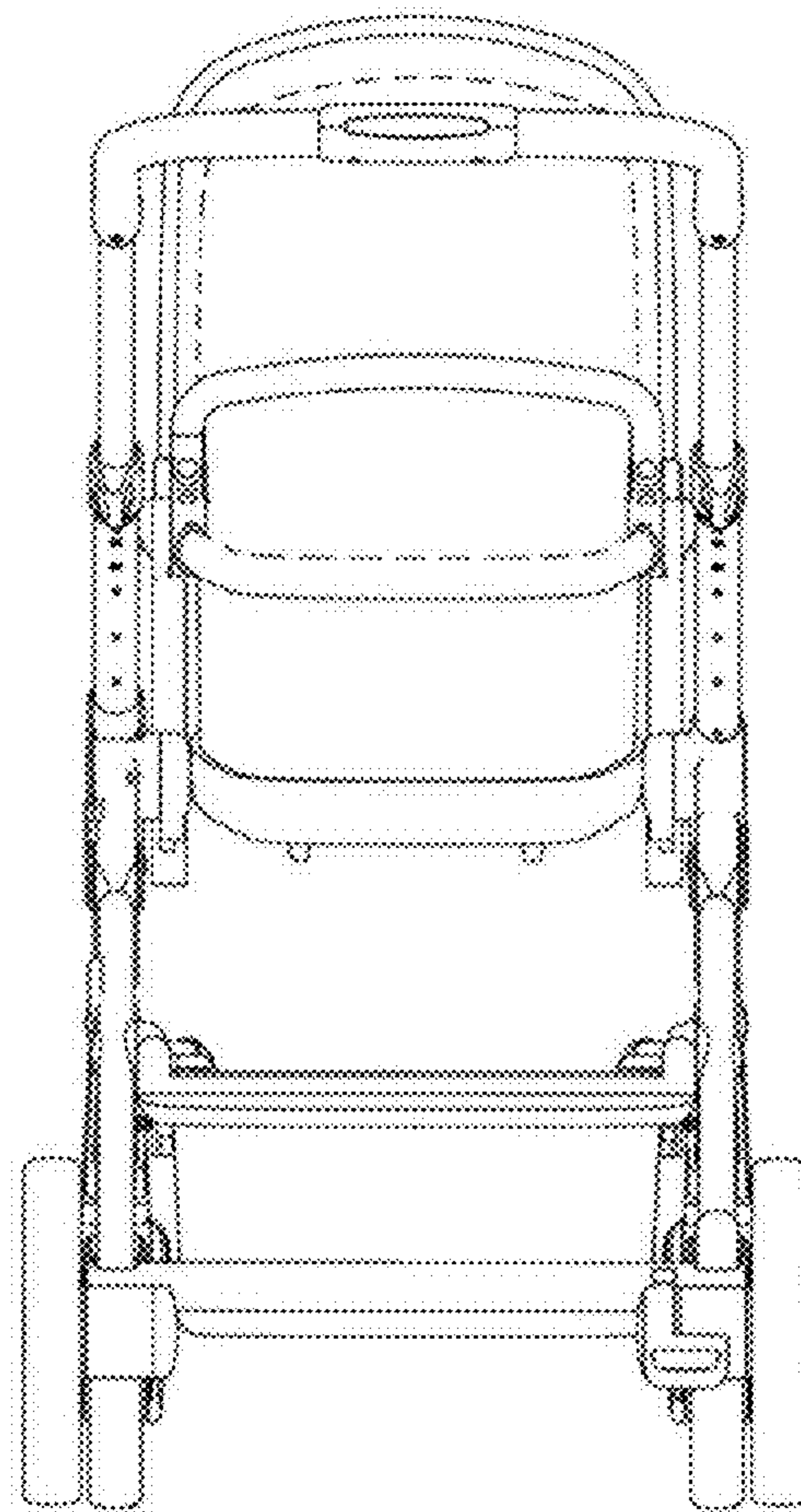


Fig. 1B

Fig. 1C

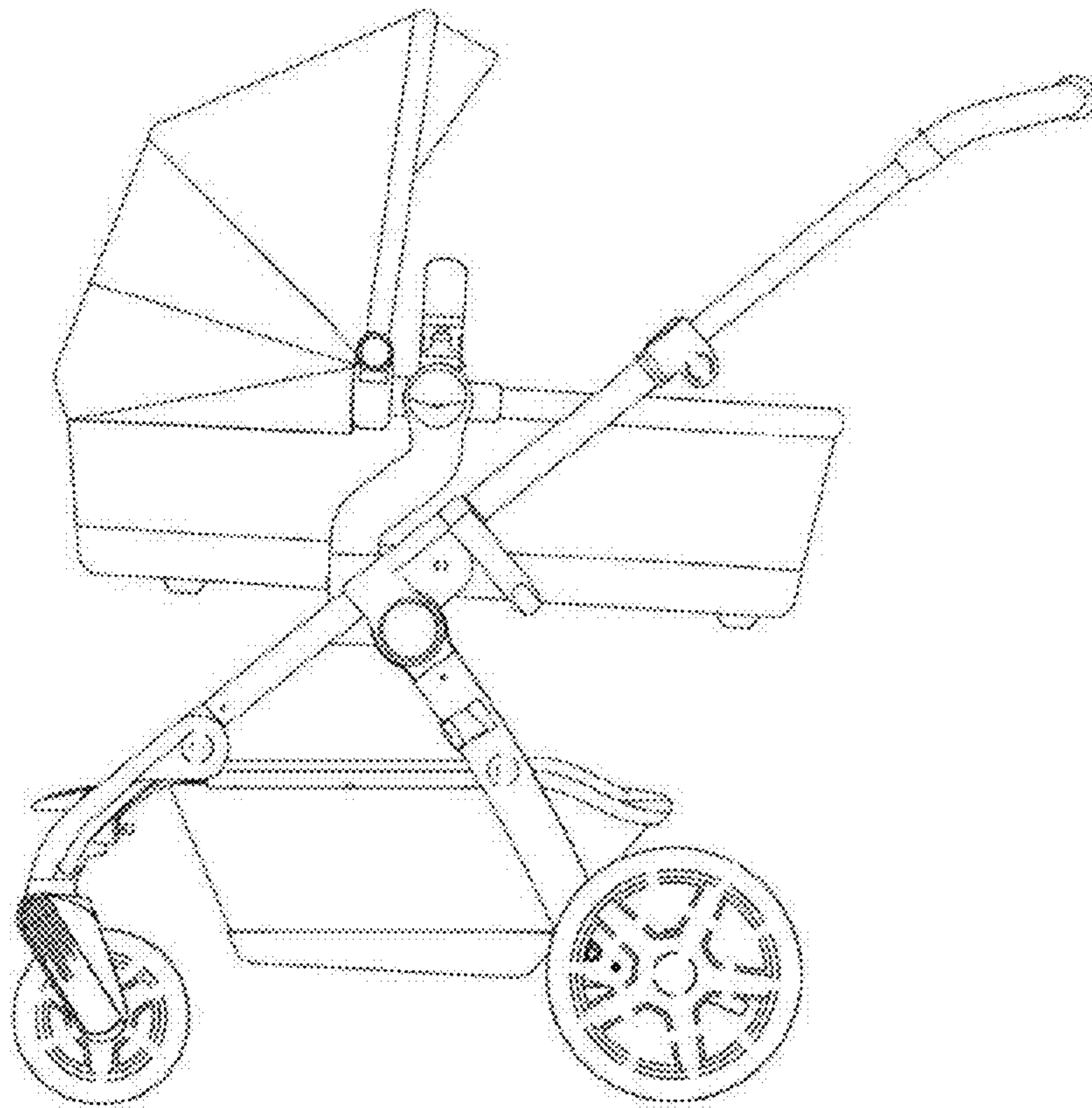
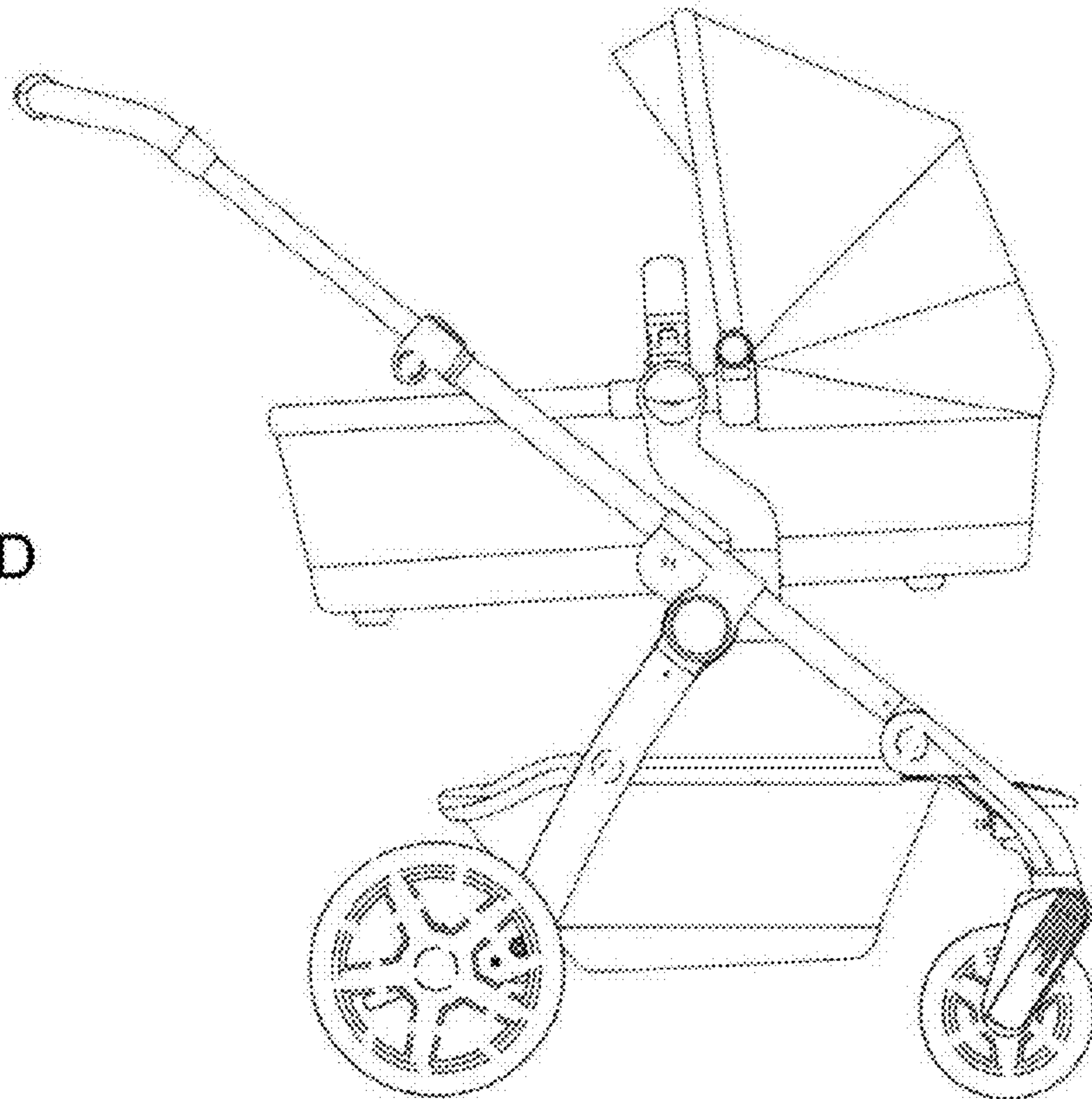


Fig. 1D





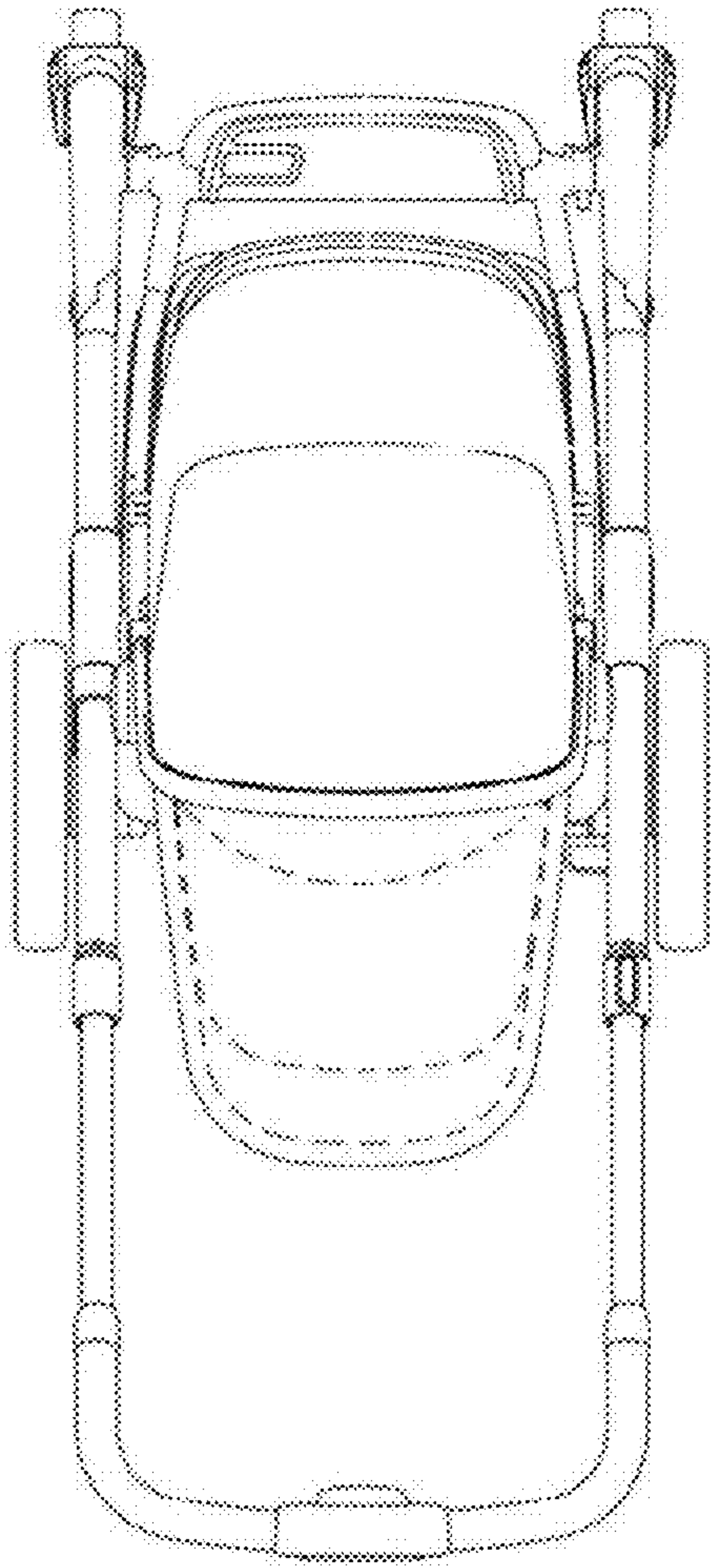


Fig. 1E

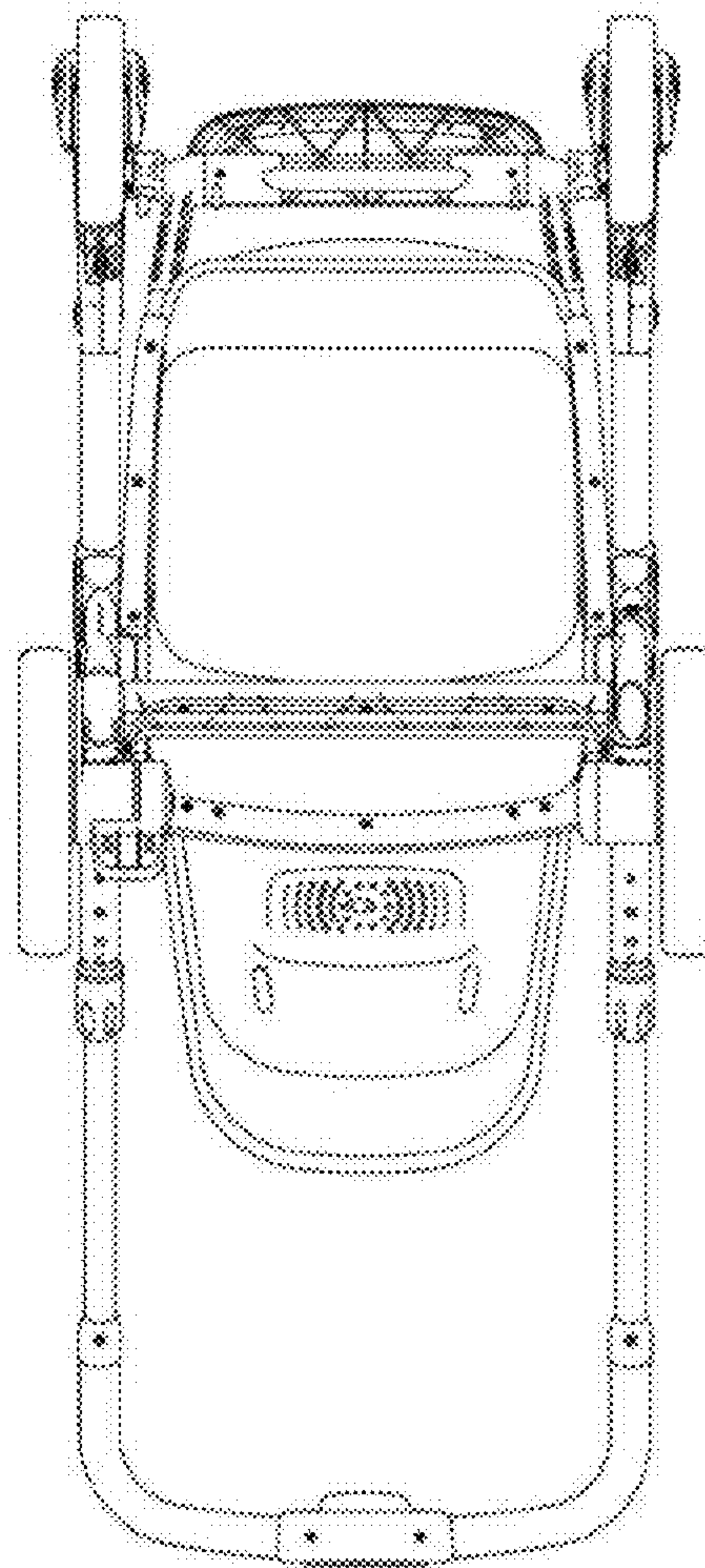


Fig. 1F

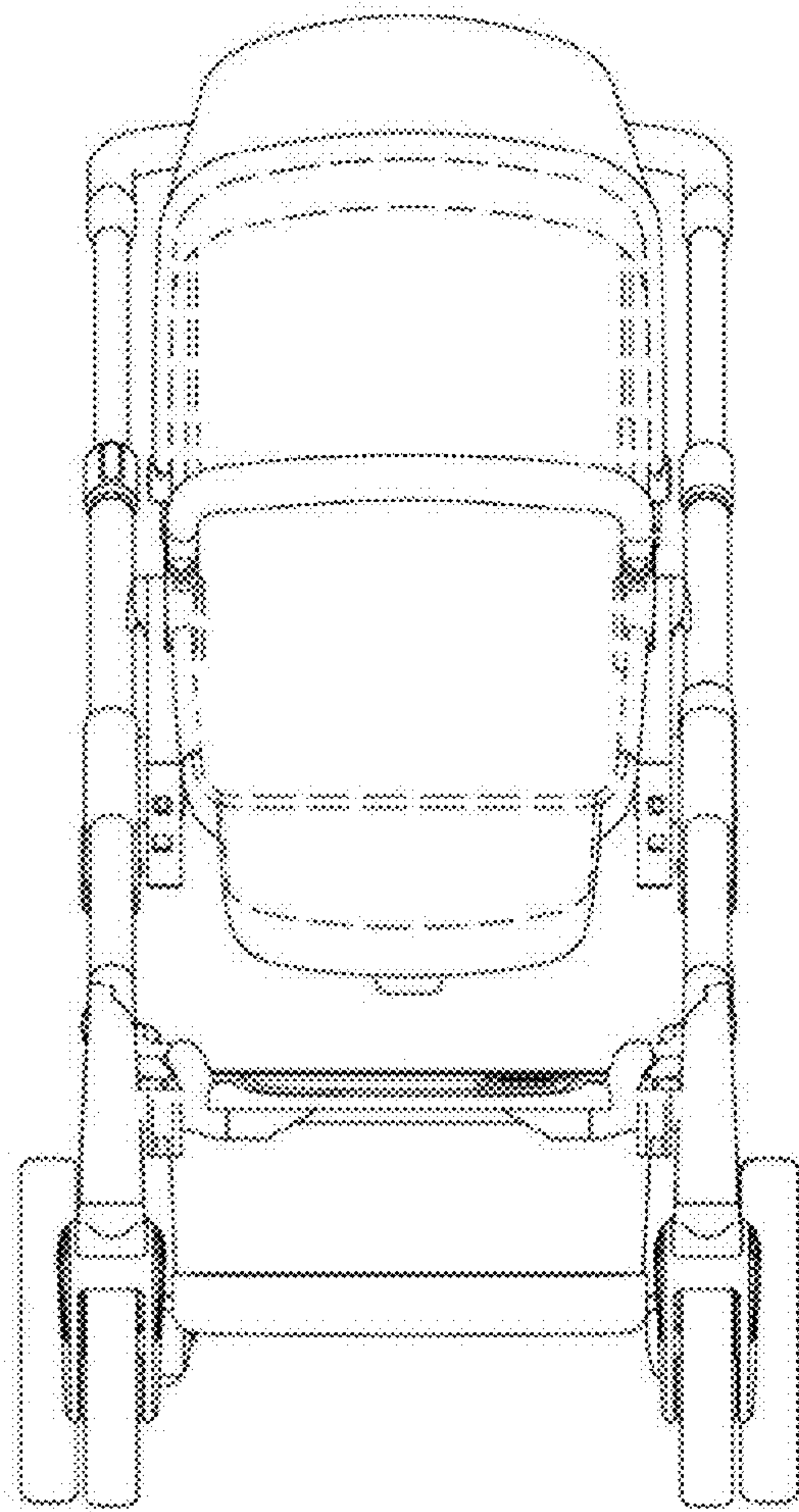


Fig. 2A

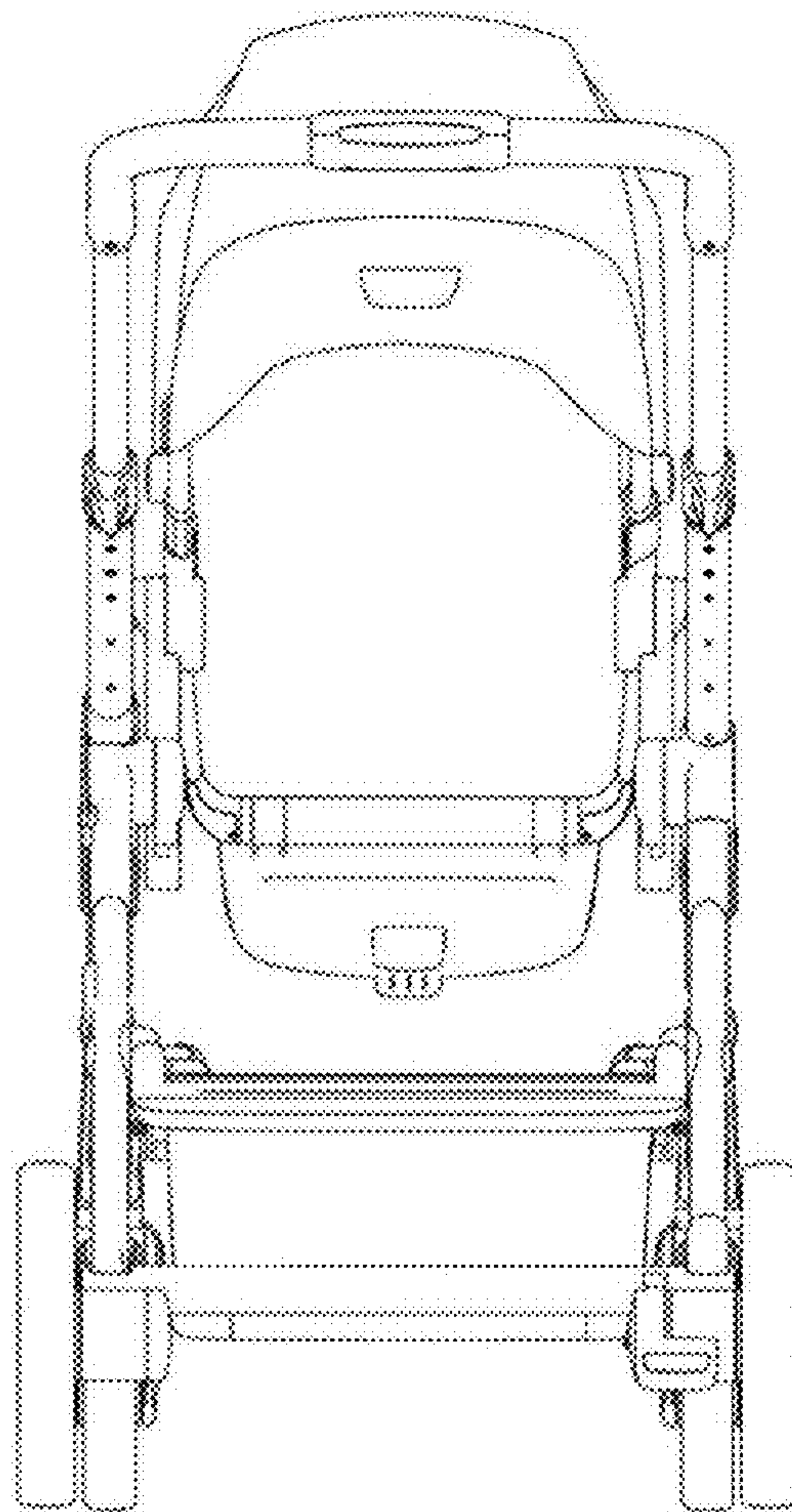


Fig. 2B



Fig. 2C

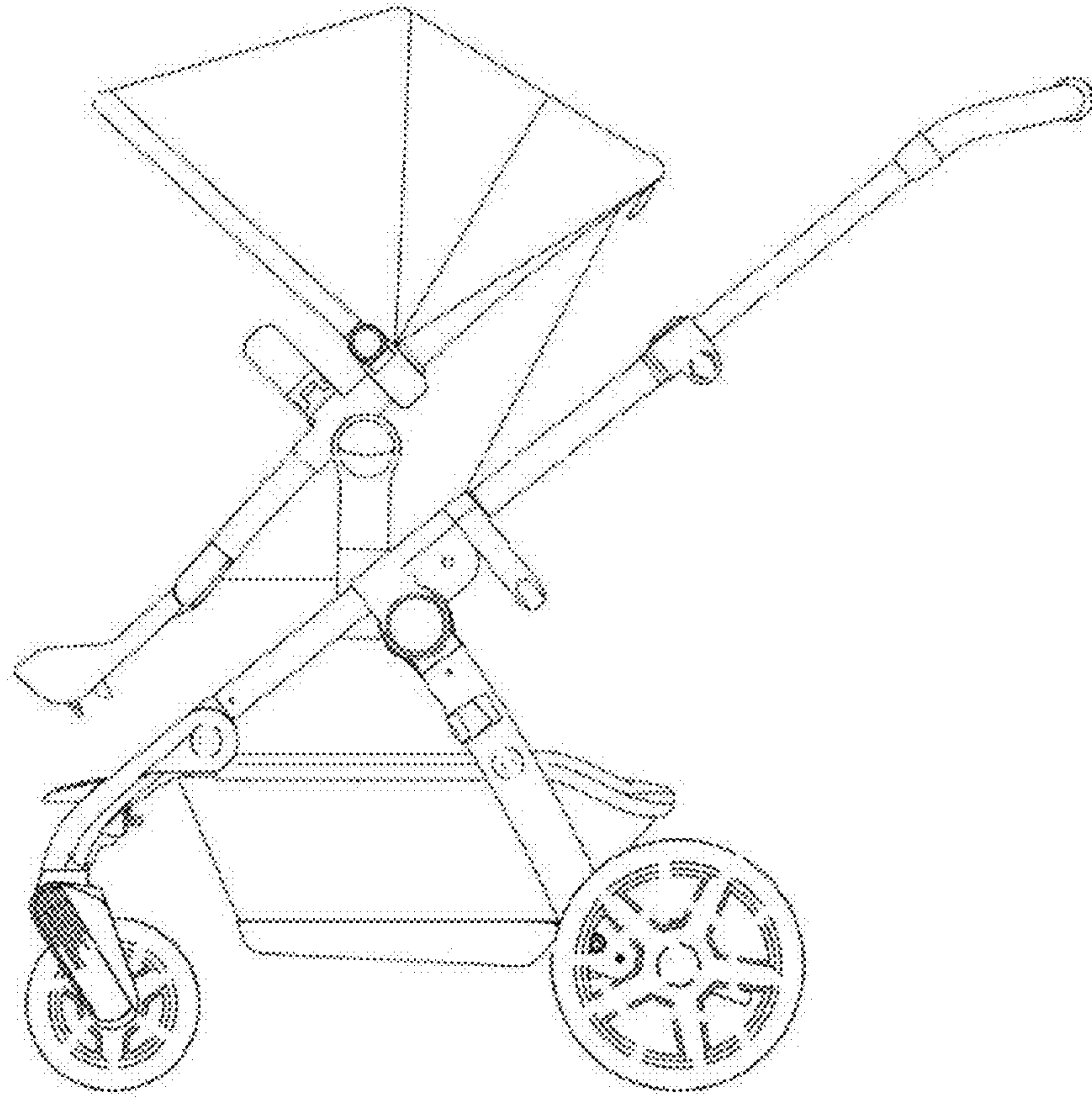
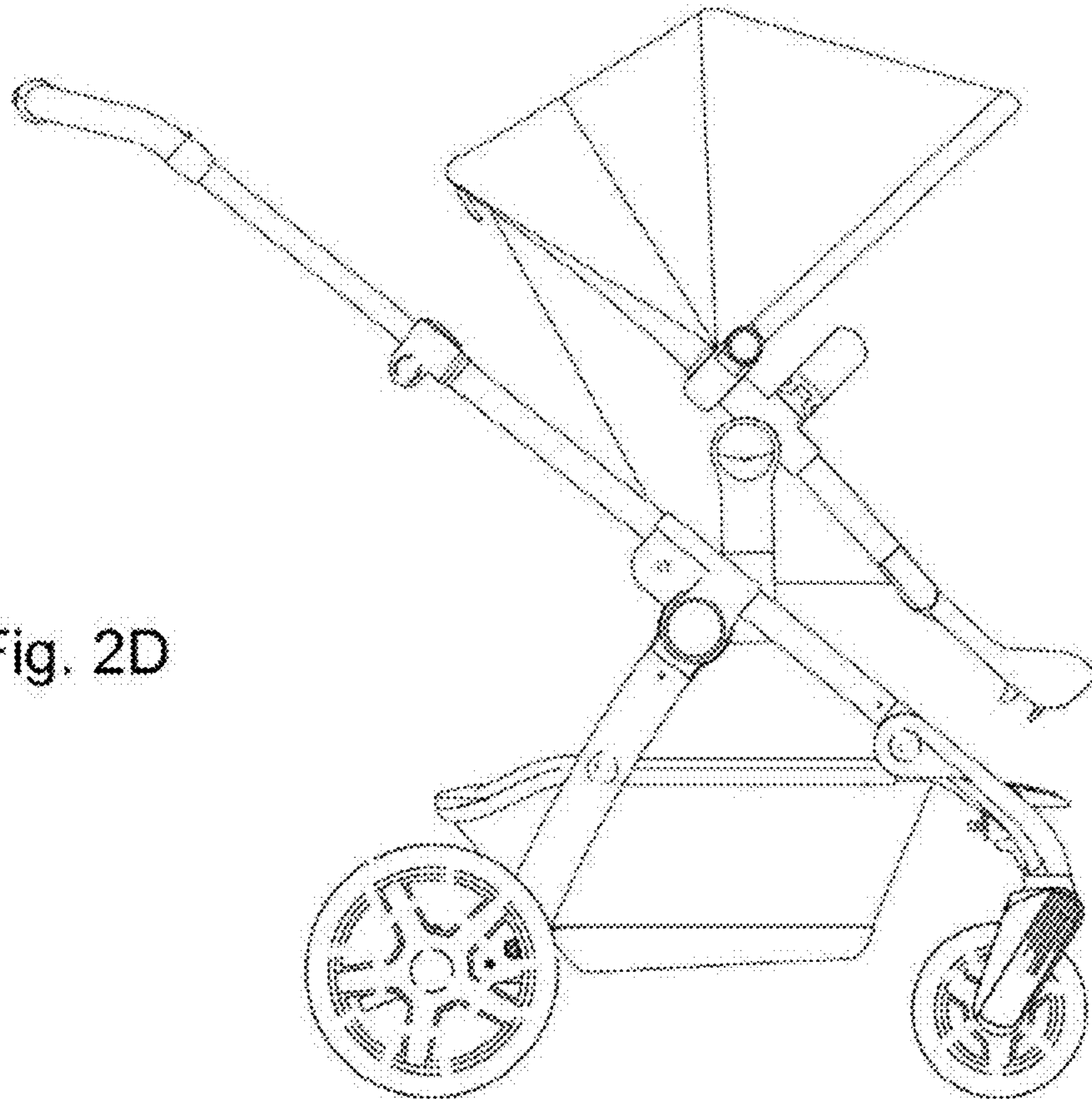


Fig. 2D





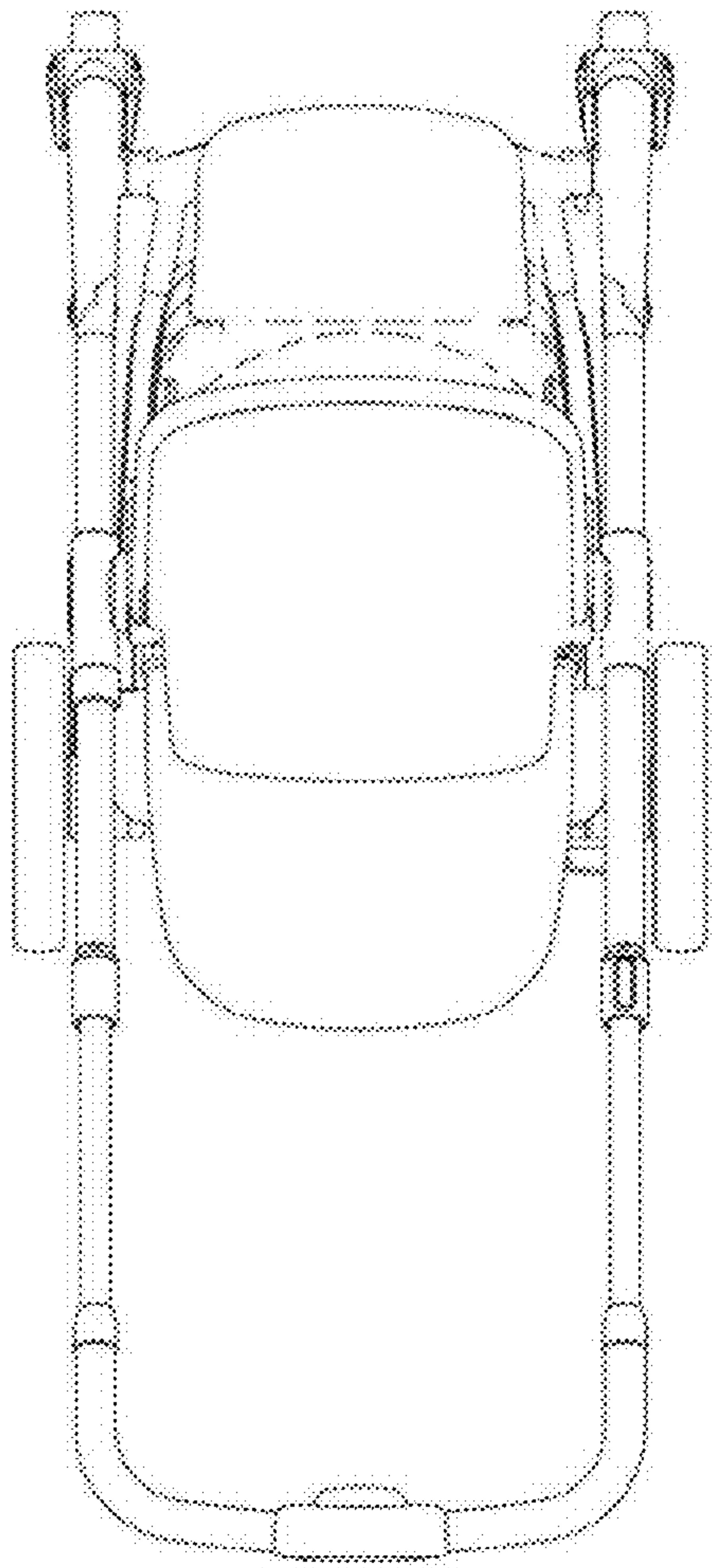


Fig. 2E

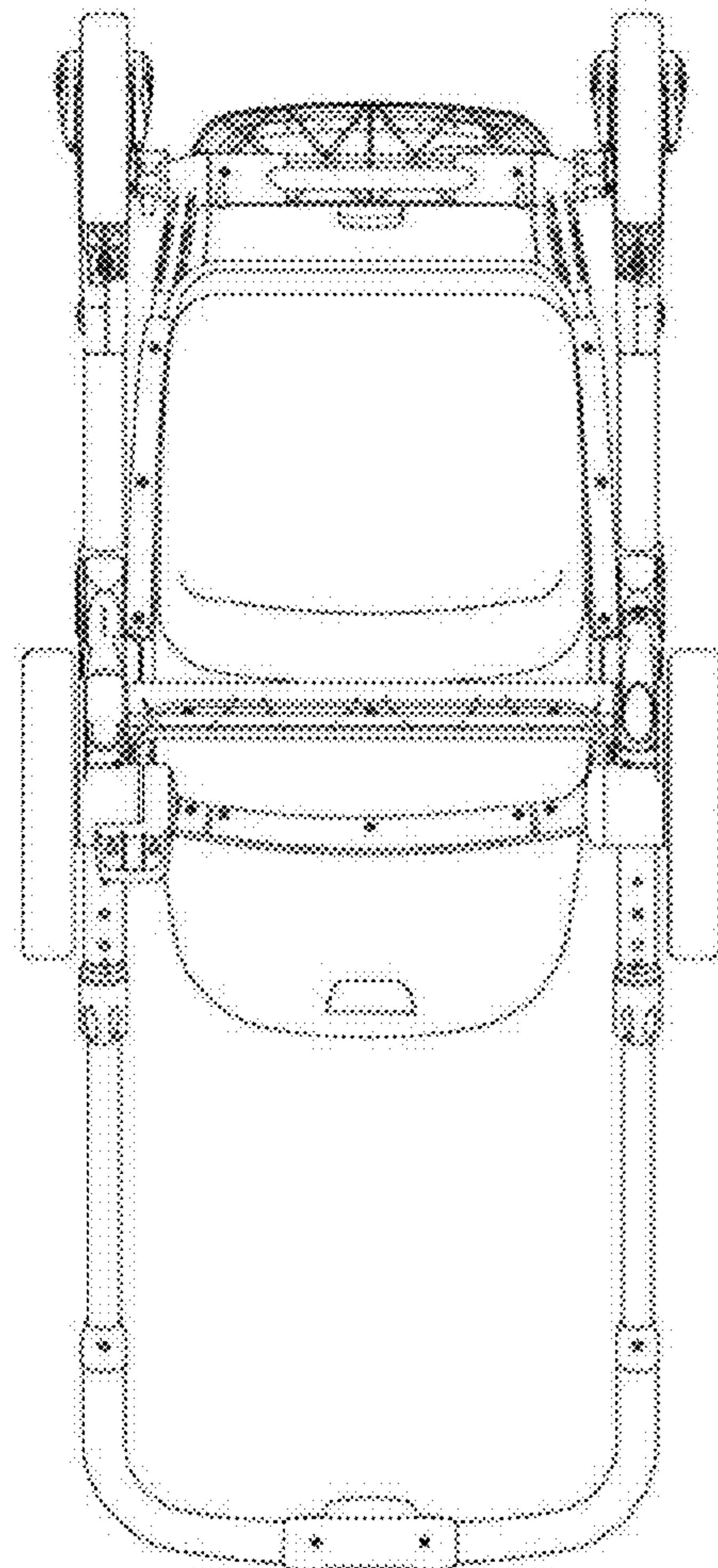


Fig. 2F

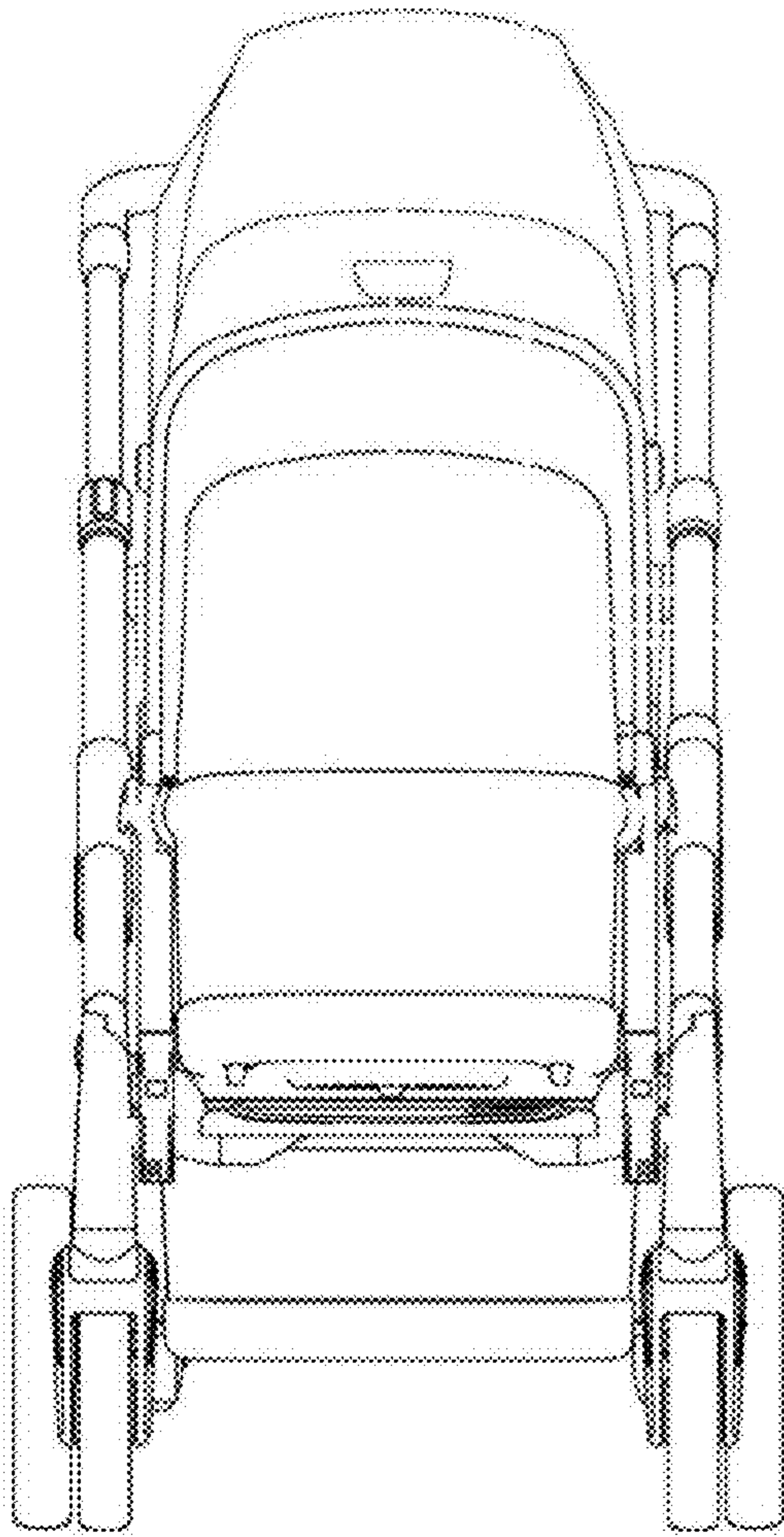


Fig. 3A

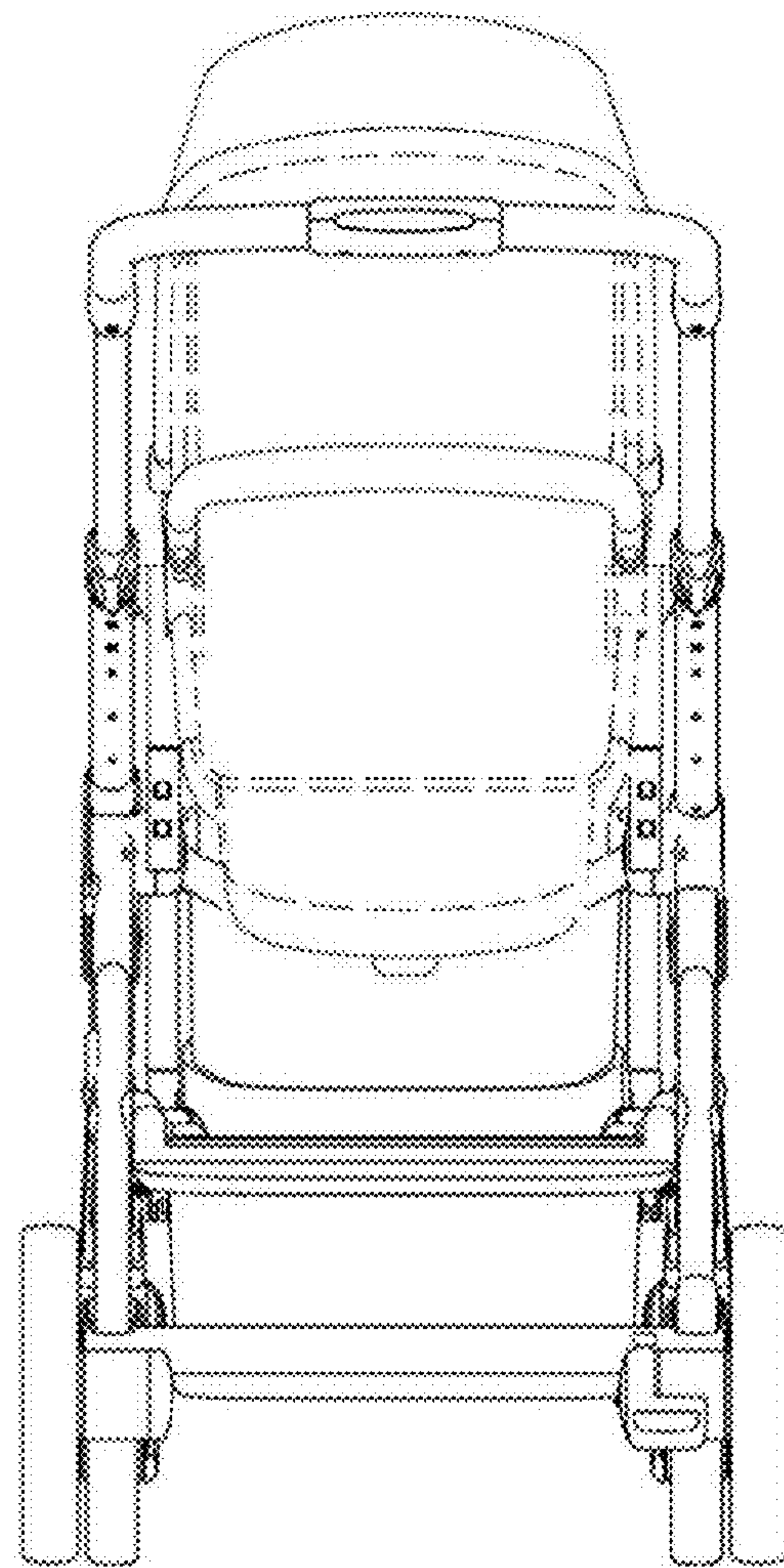


Fig. 3B



Fig. 3C

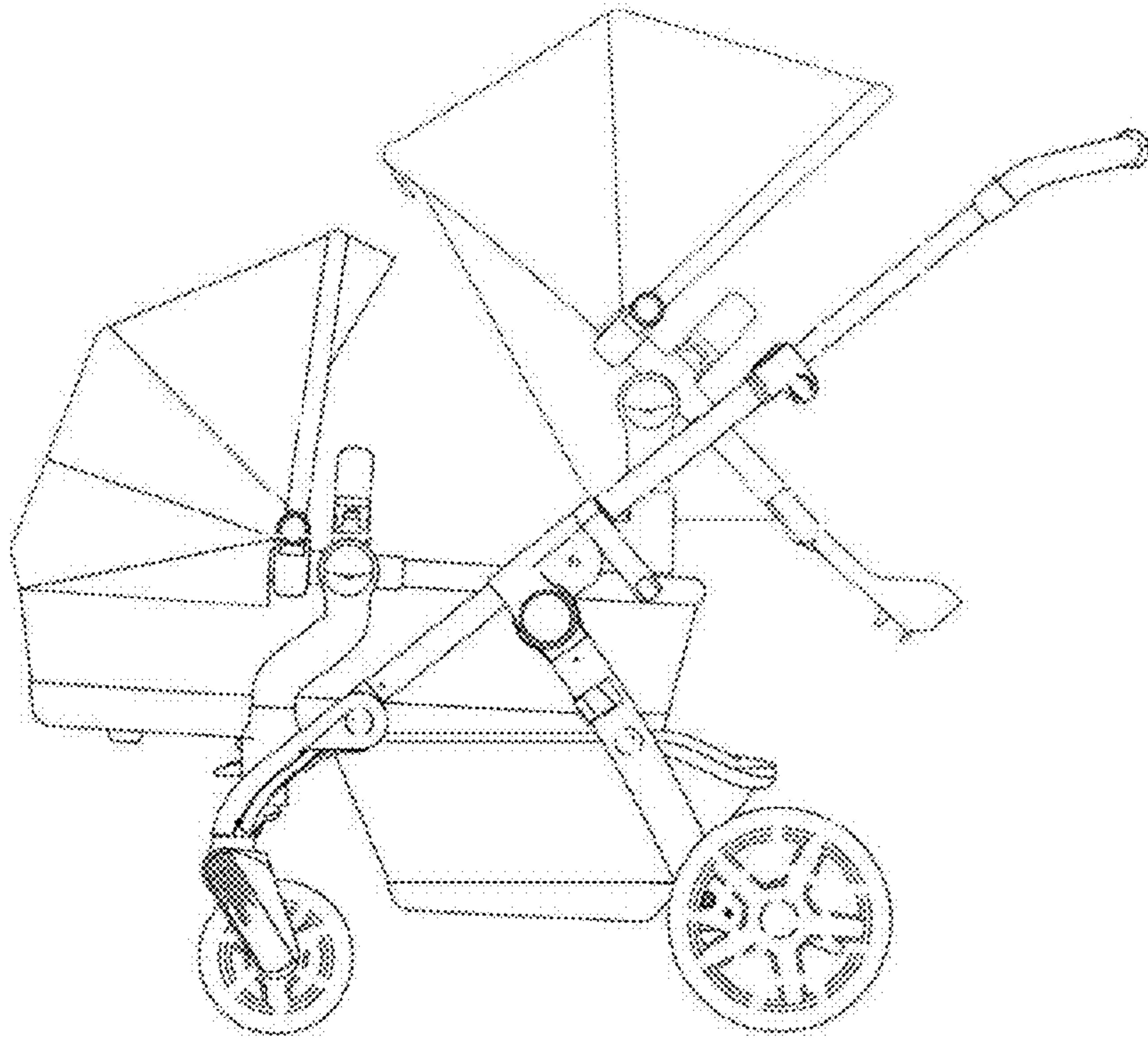
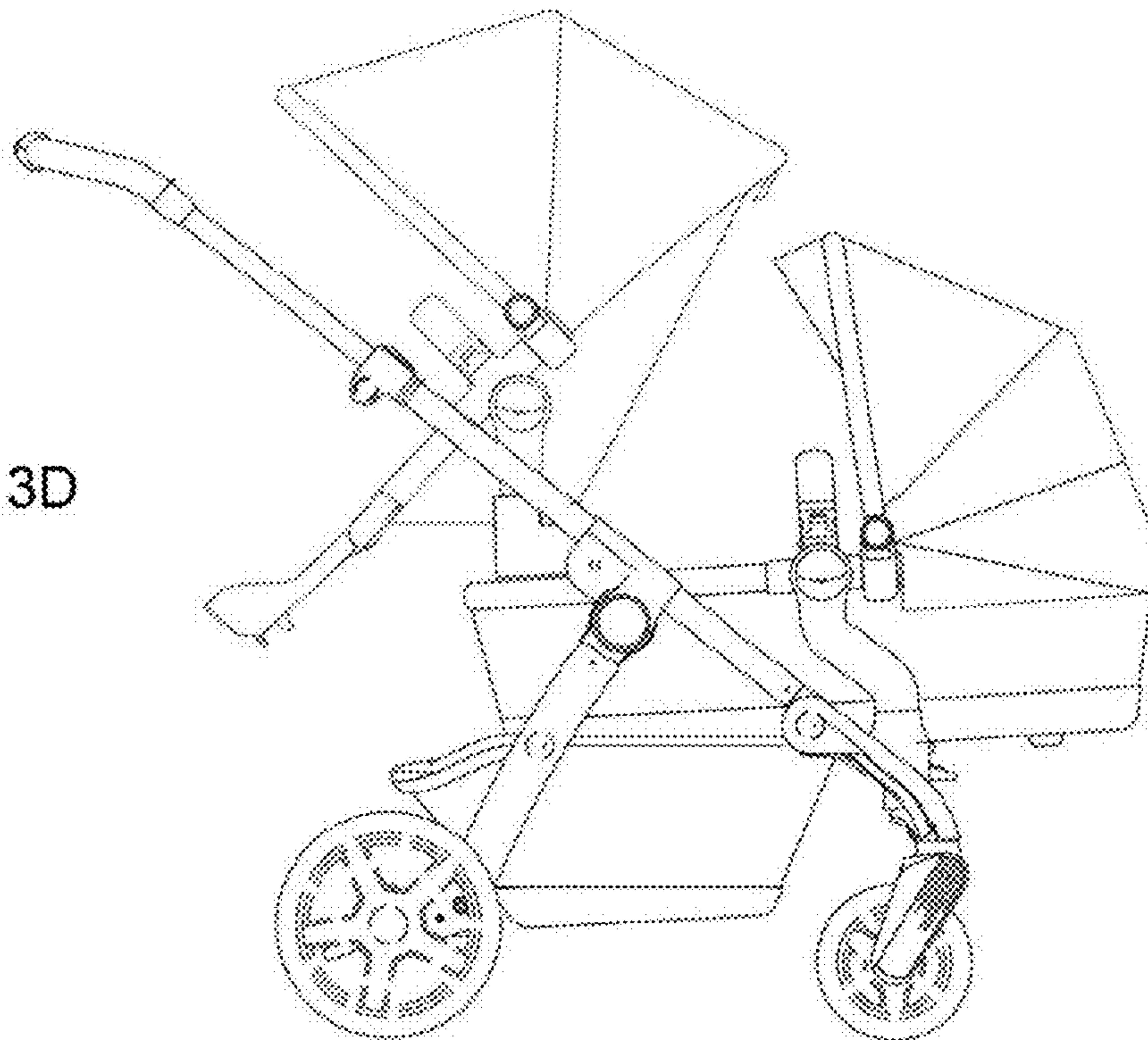


Fig. 3D



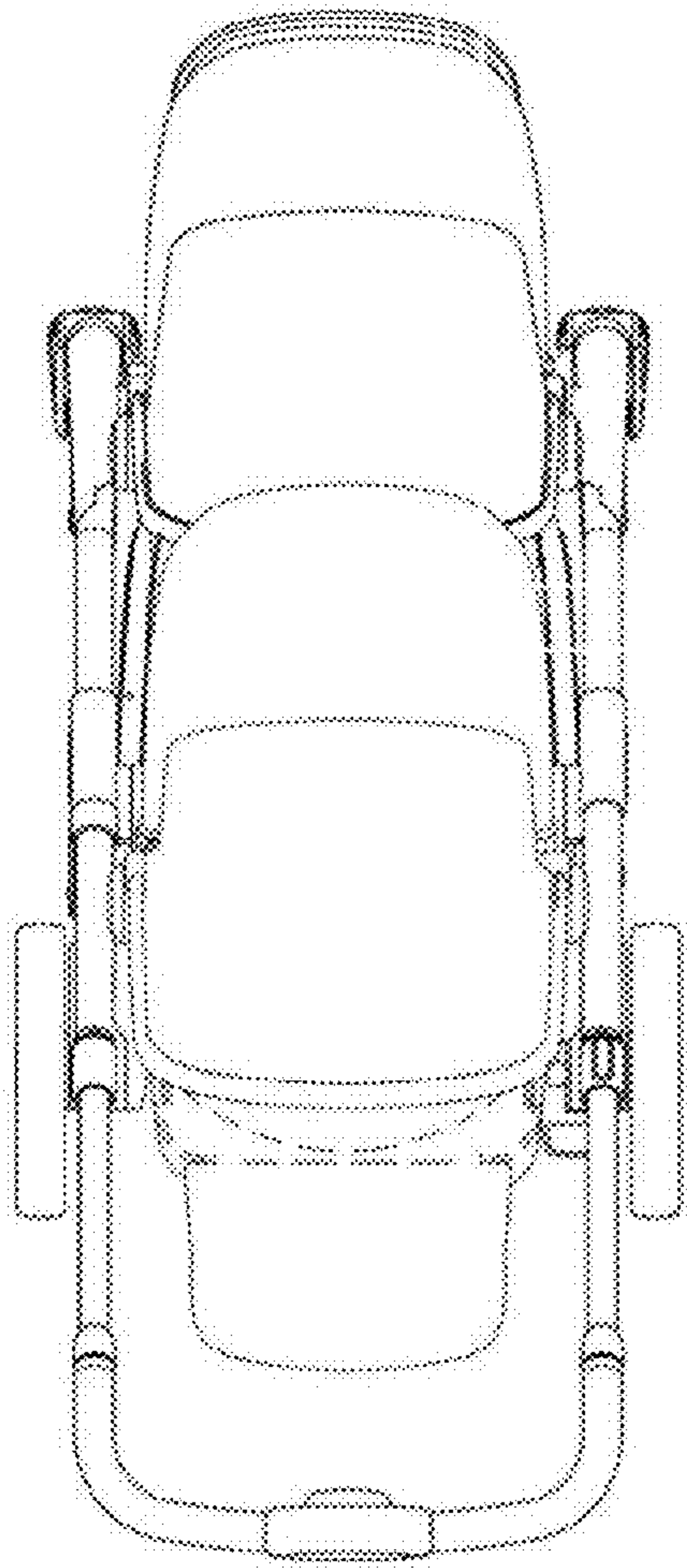


Fig. 3E

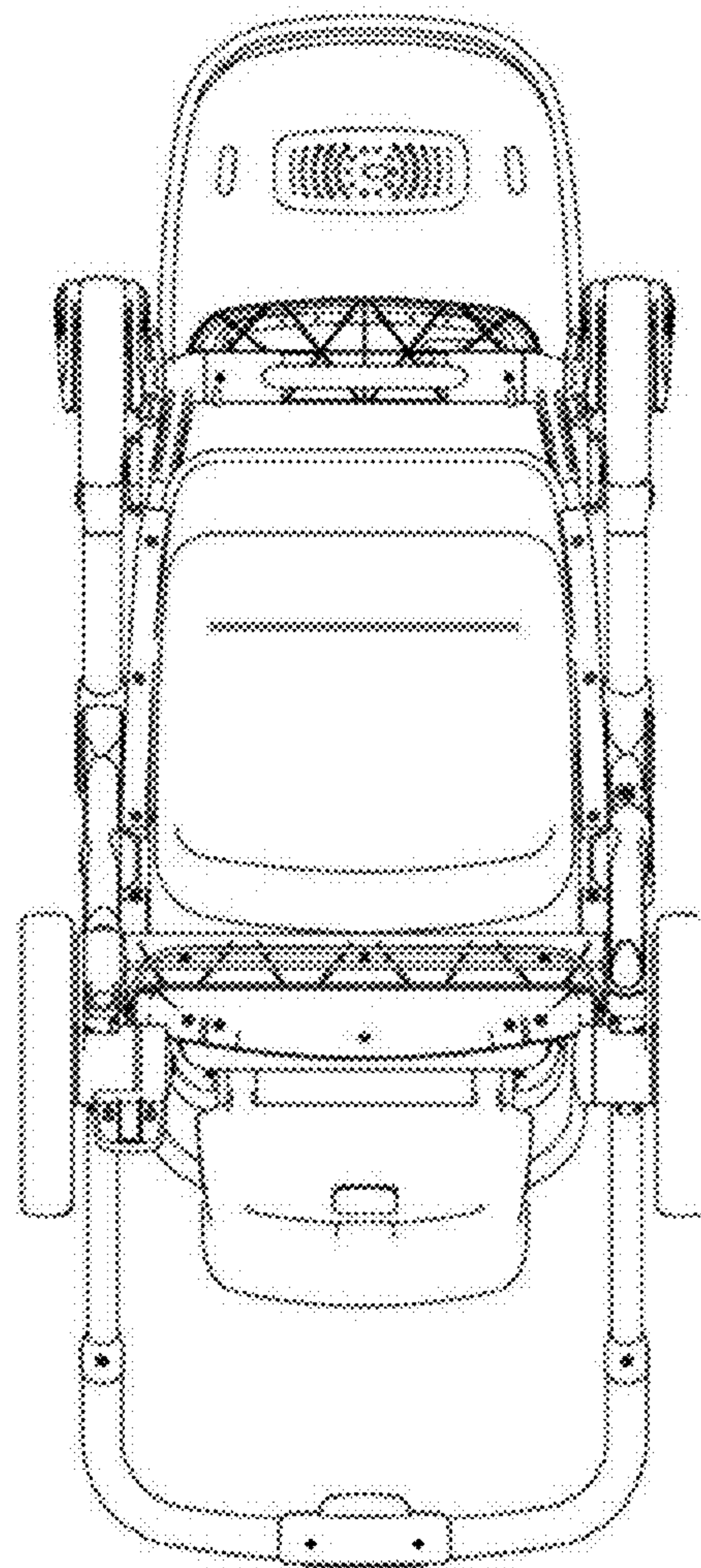


Fig. 3F



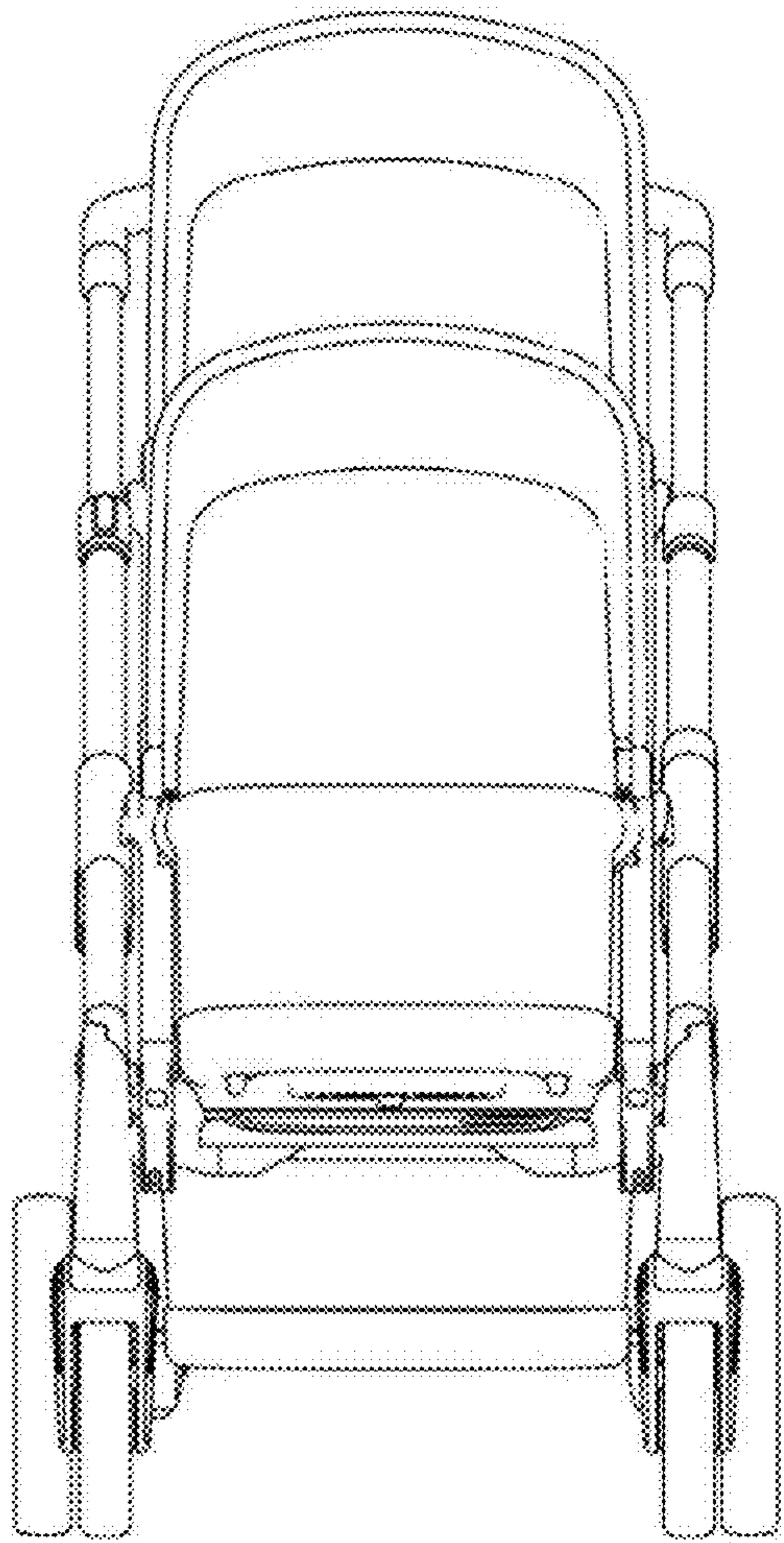


Fig. 4A

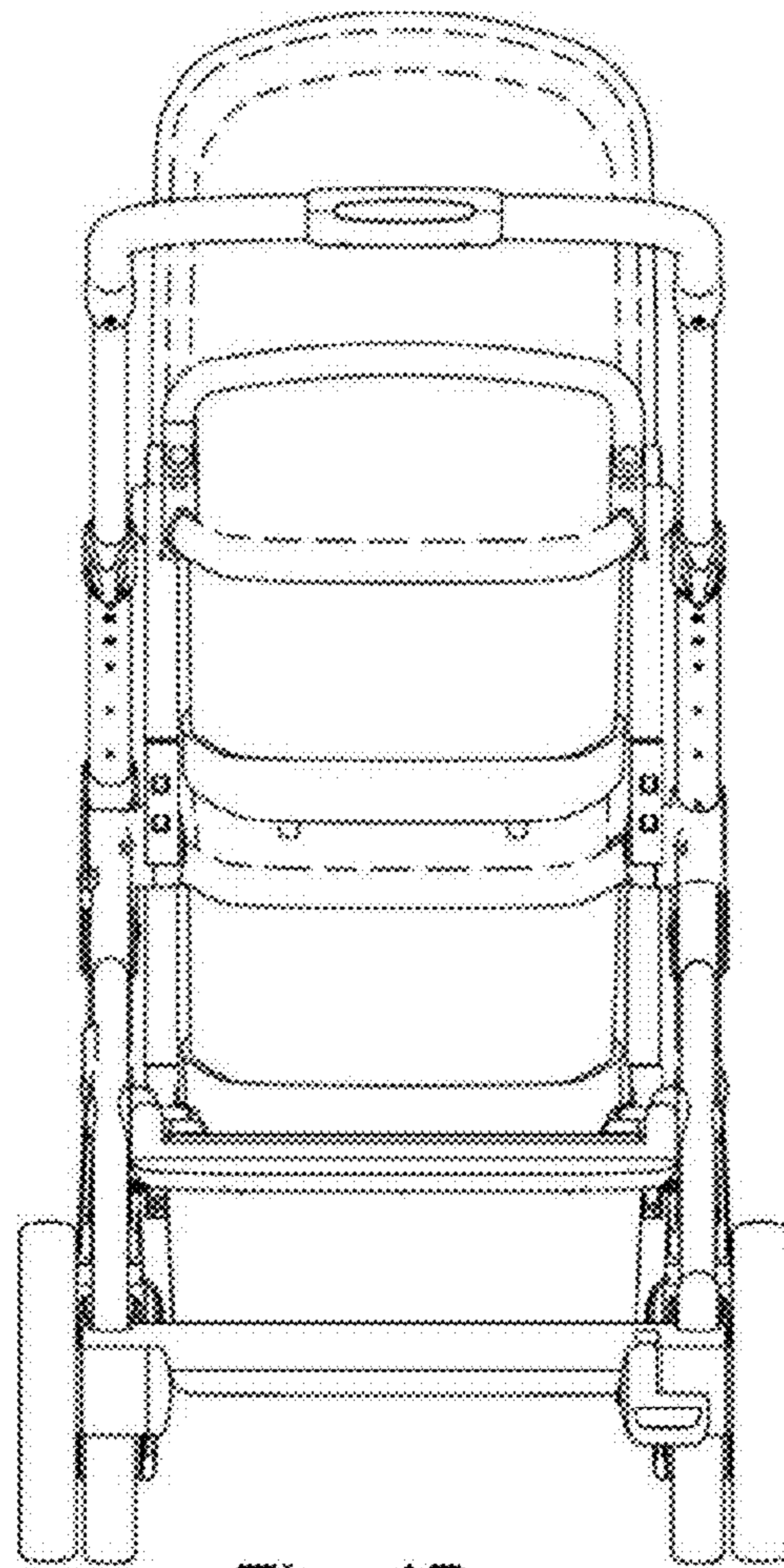


Fig. 4B

Fig. 4C

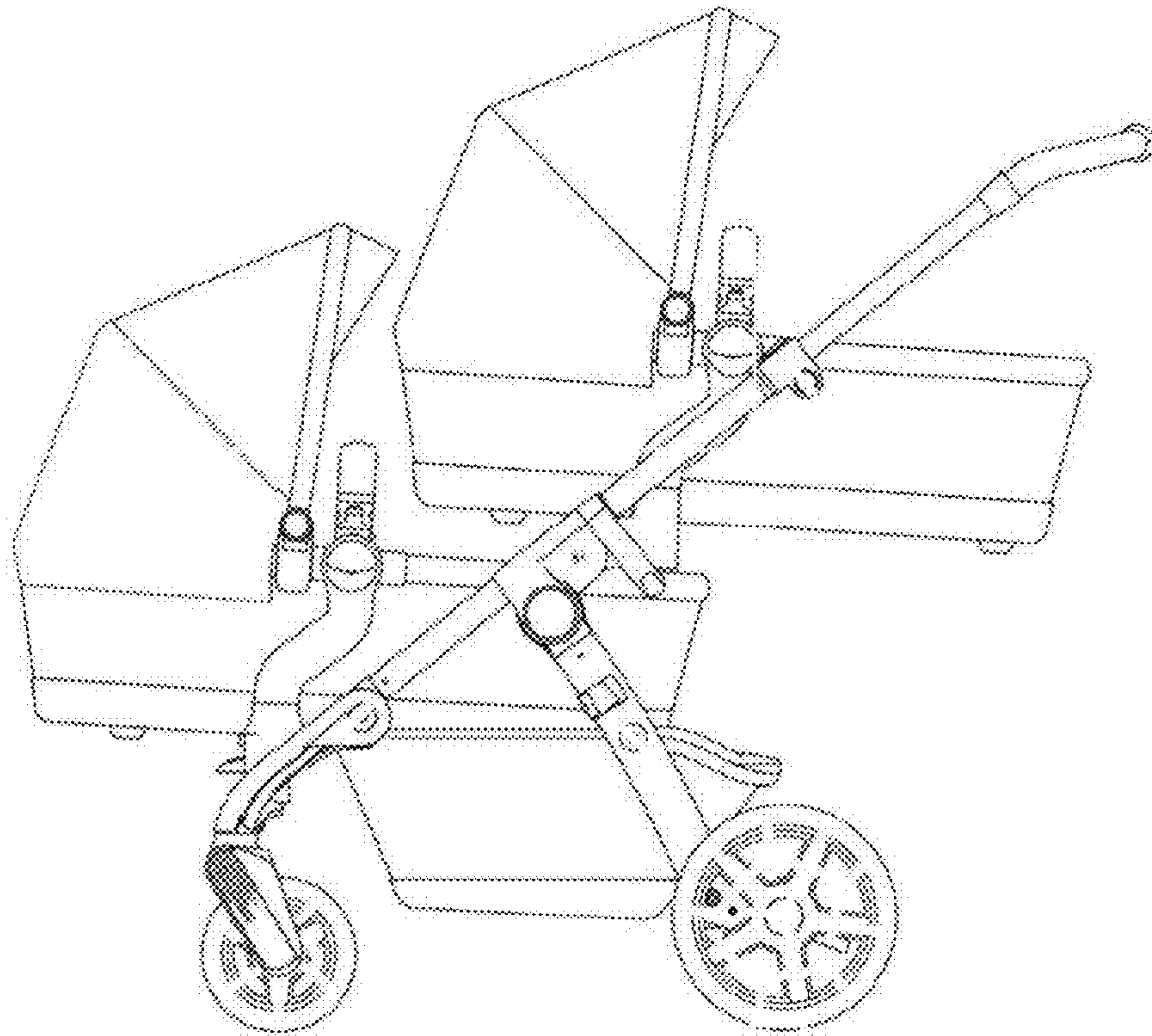
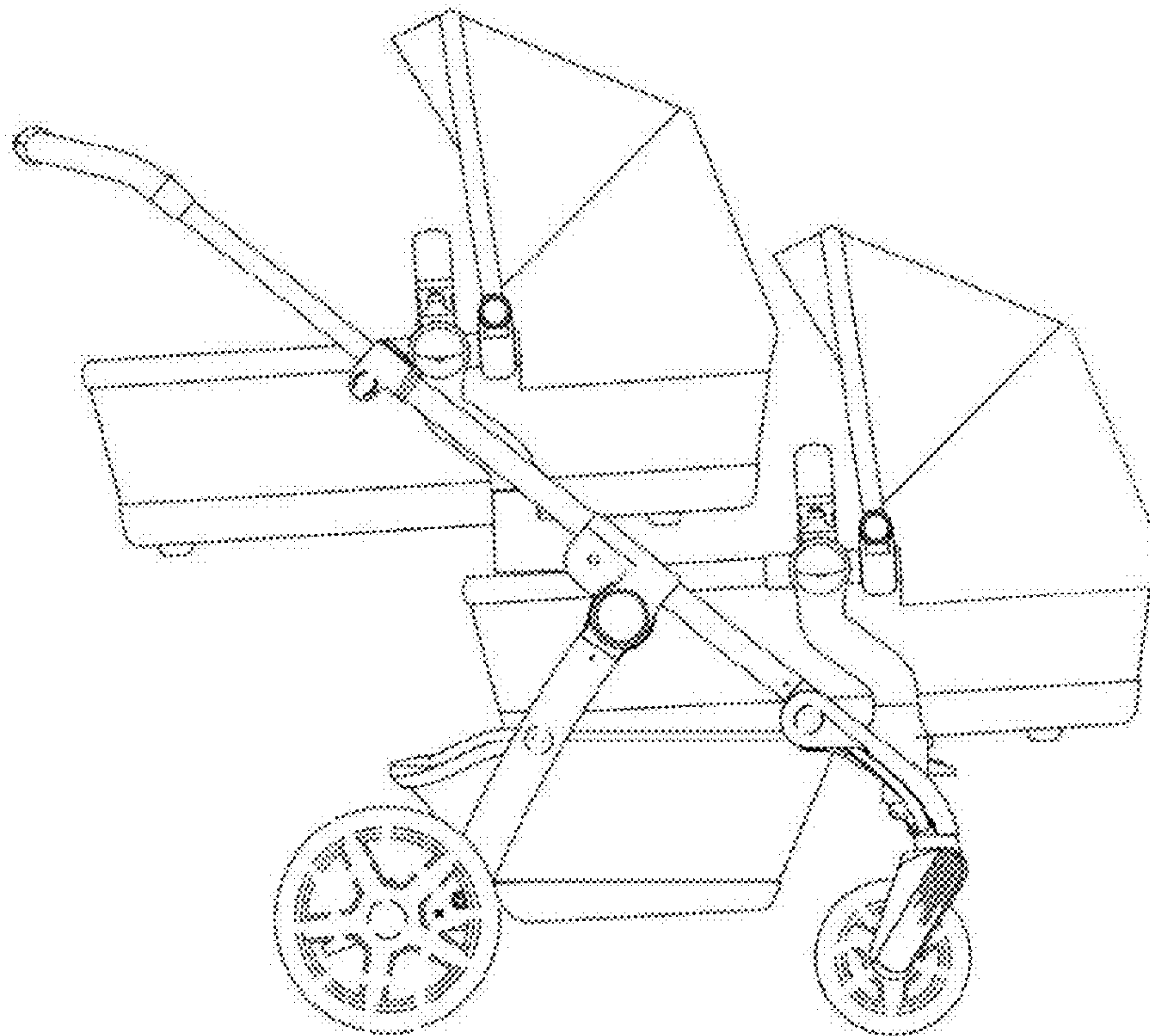


Fig. 4D





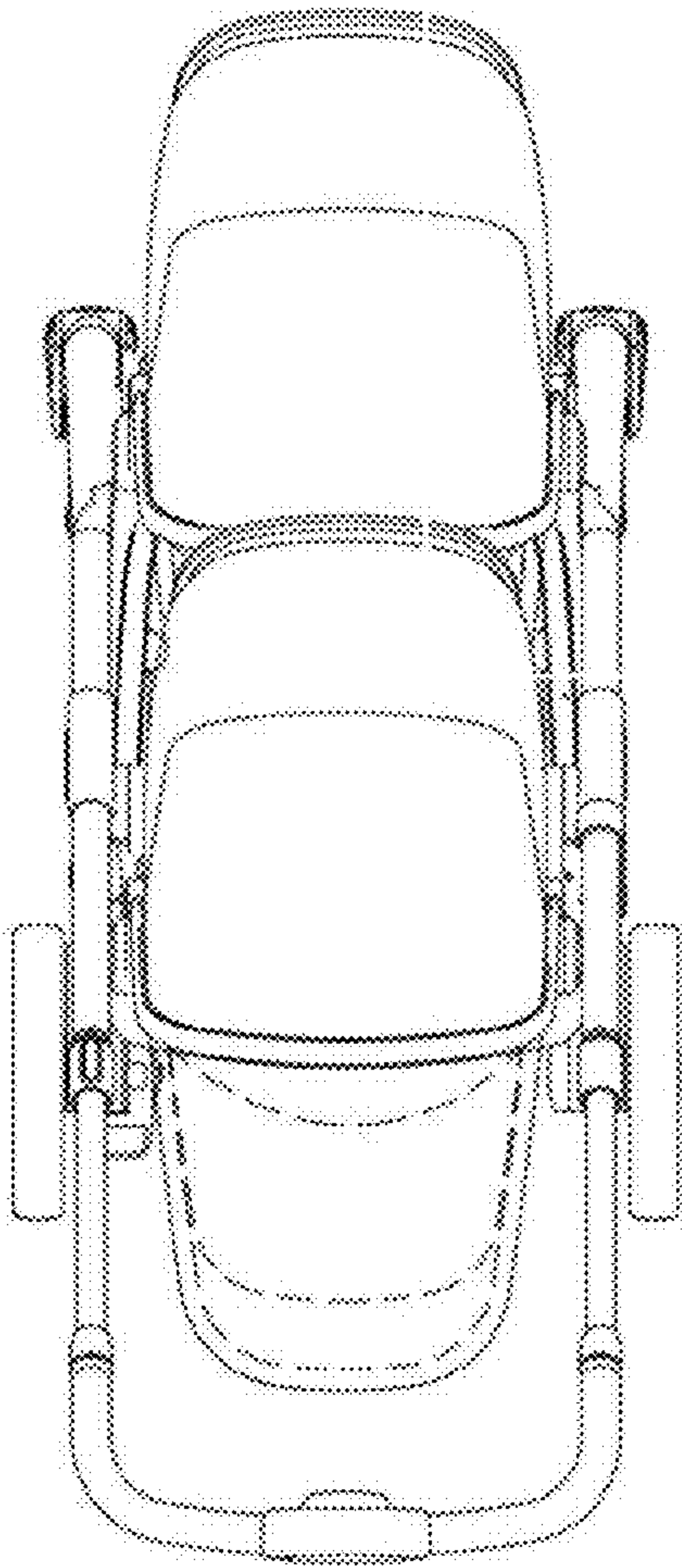


Fig. 4E

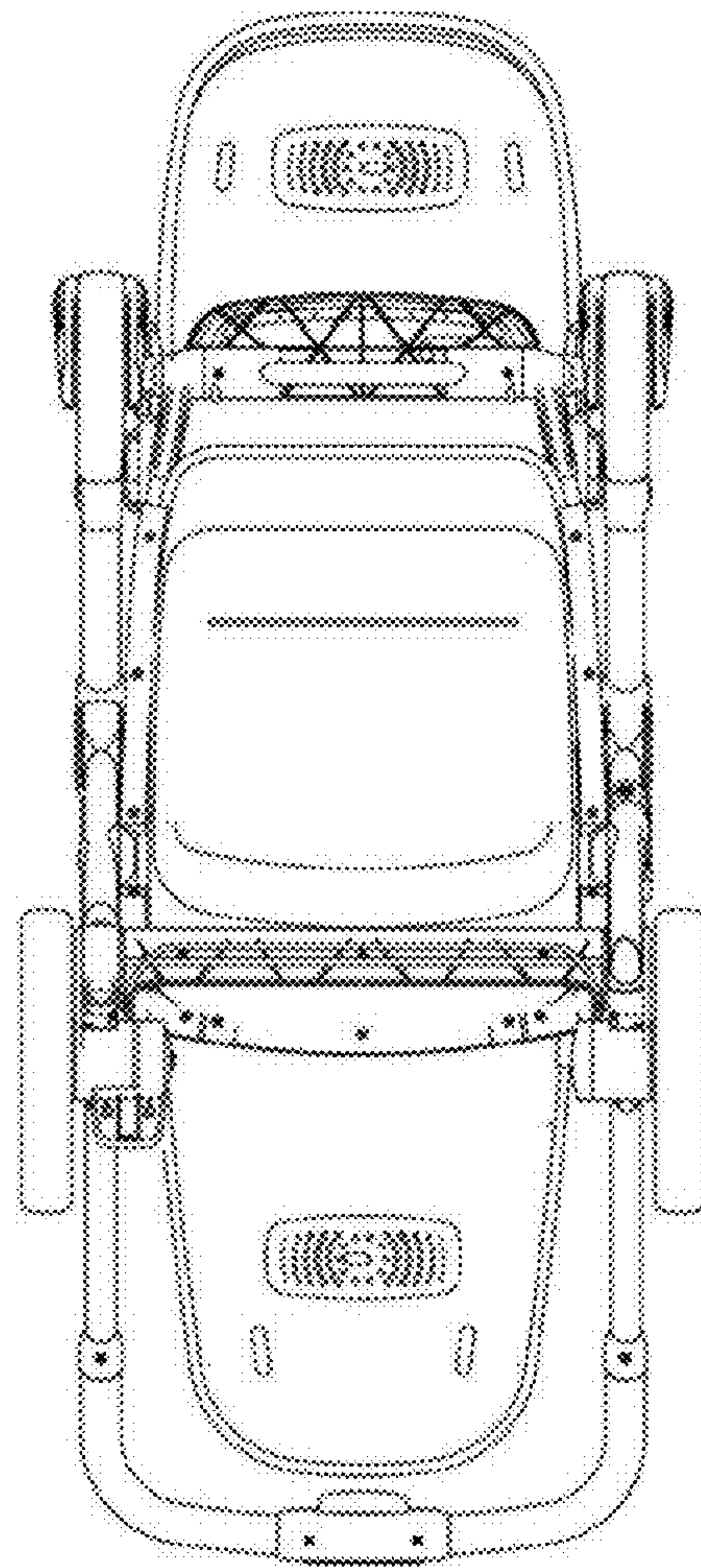


Fig. 4F

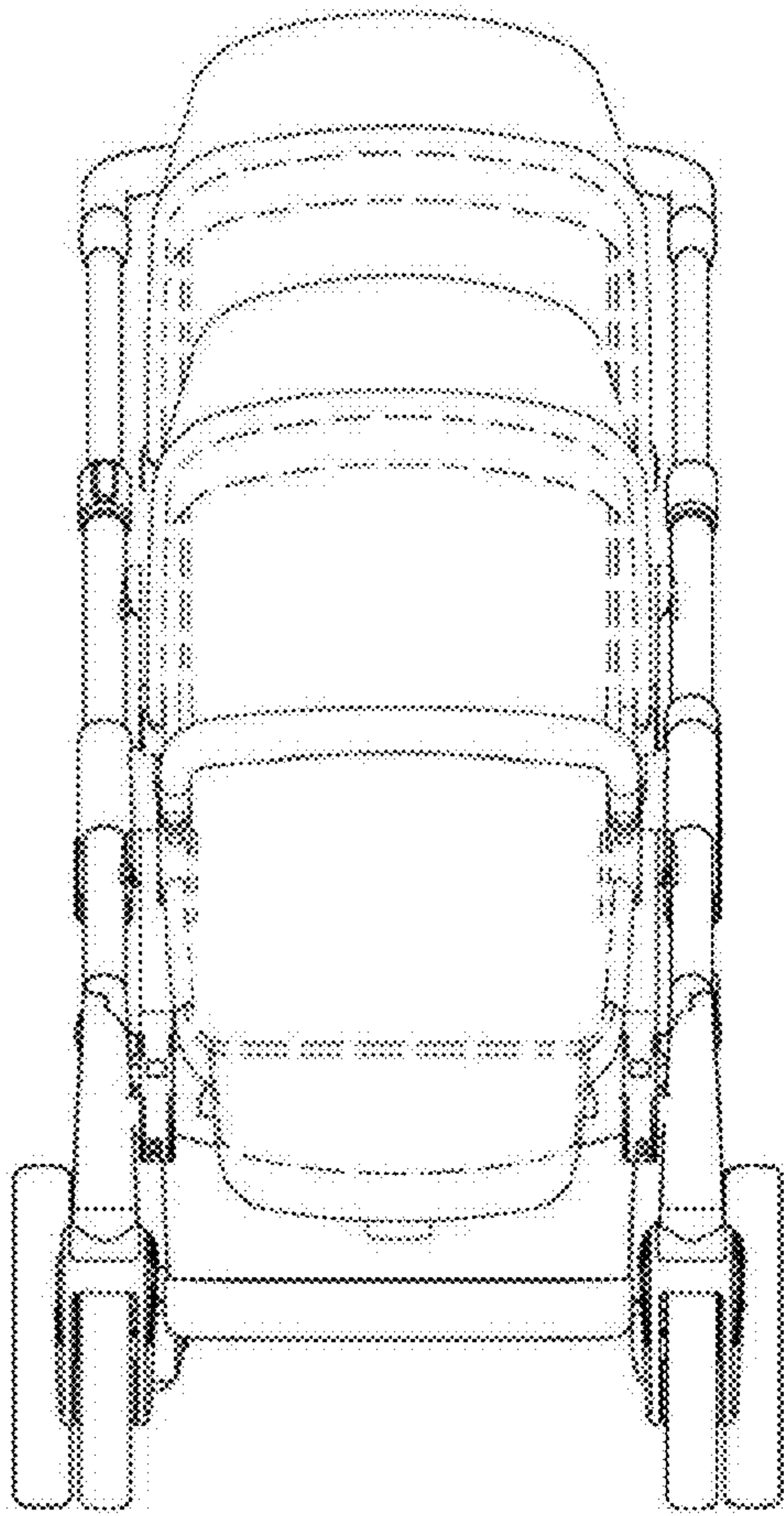


Fig. 5A

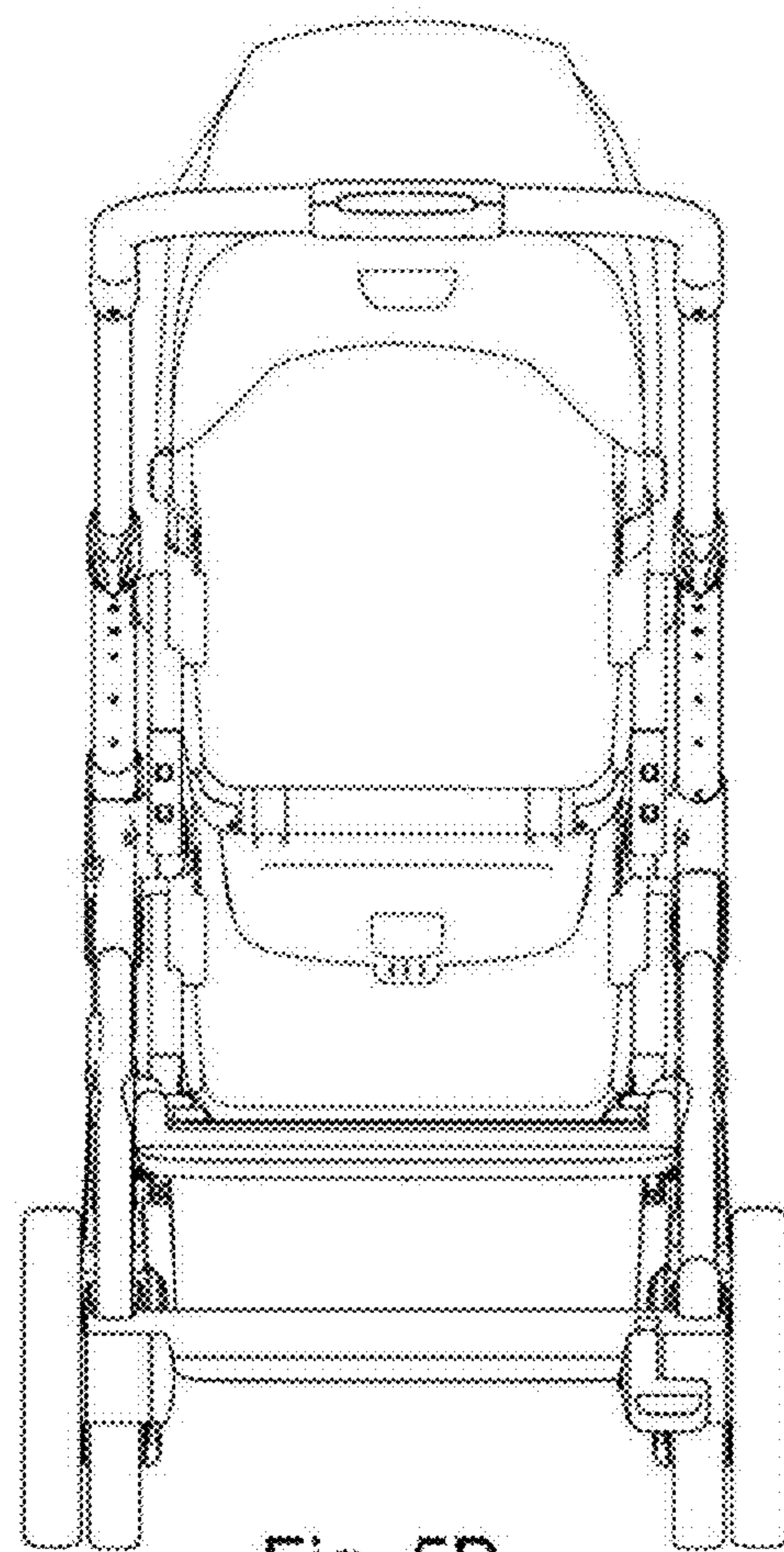


Fig. 5B



Fig. 5C

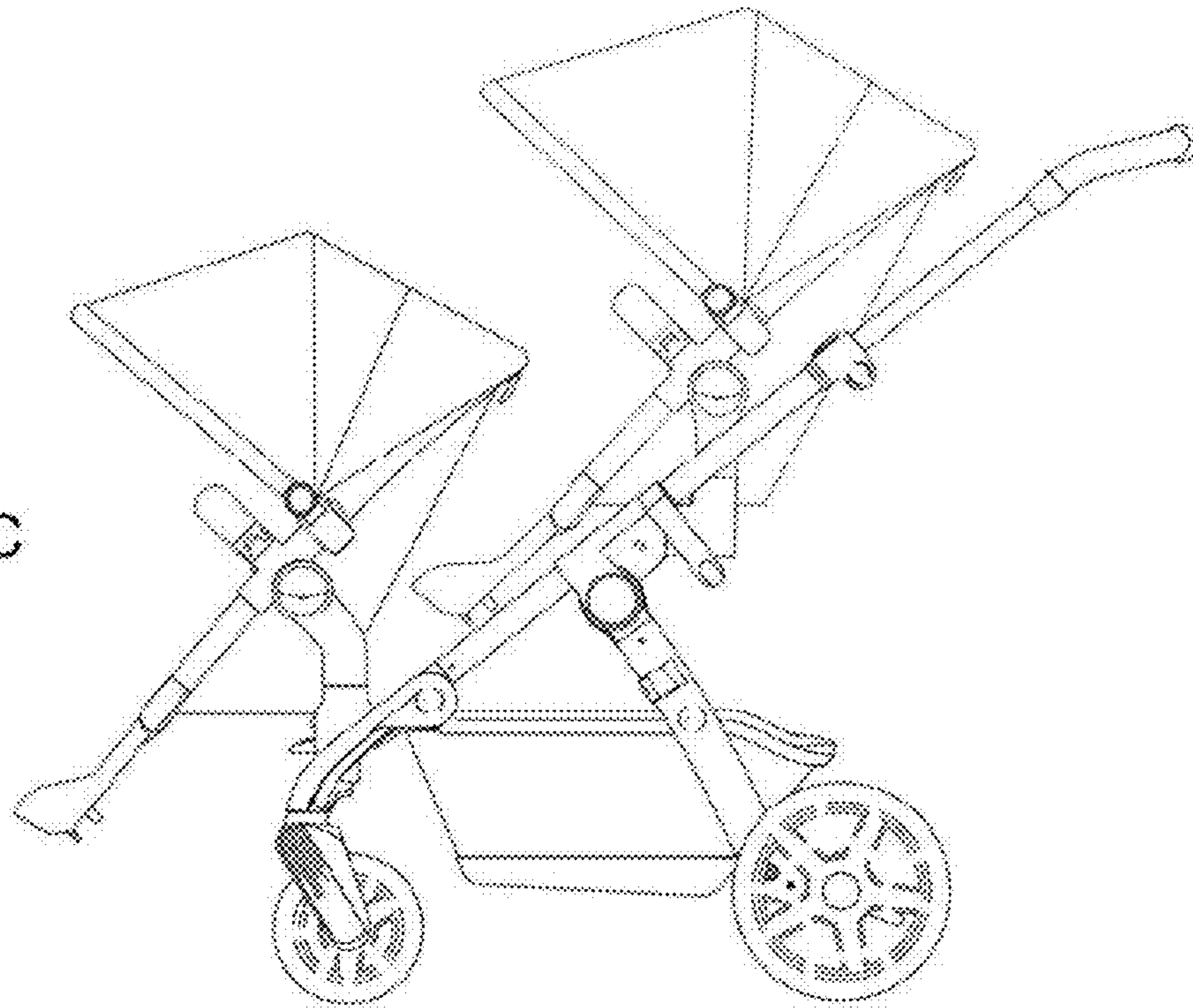
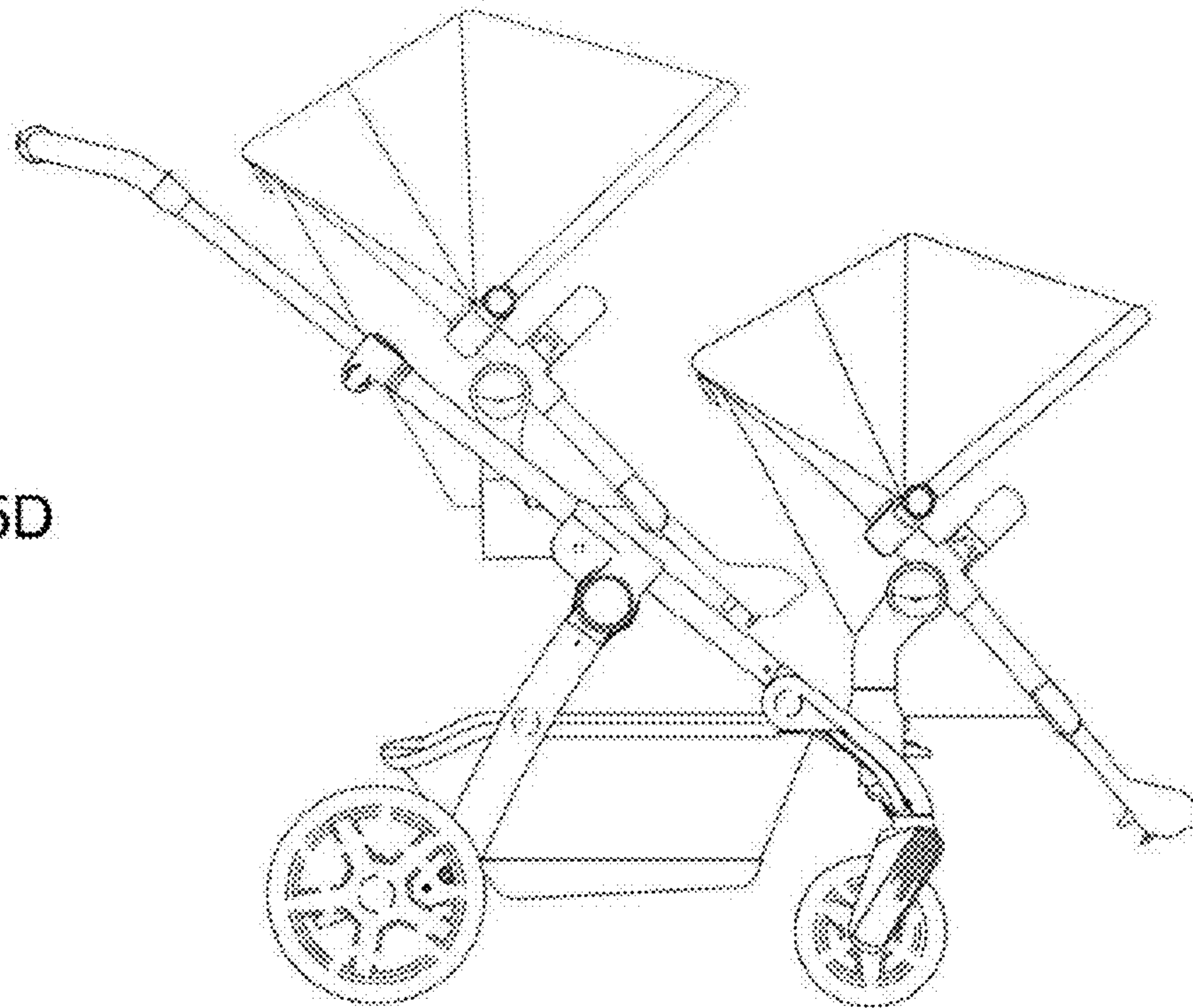


Fig. 5D



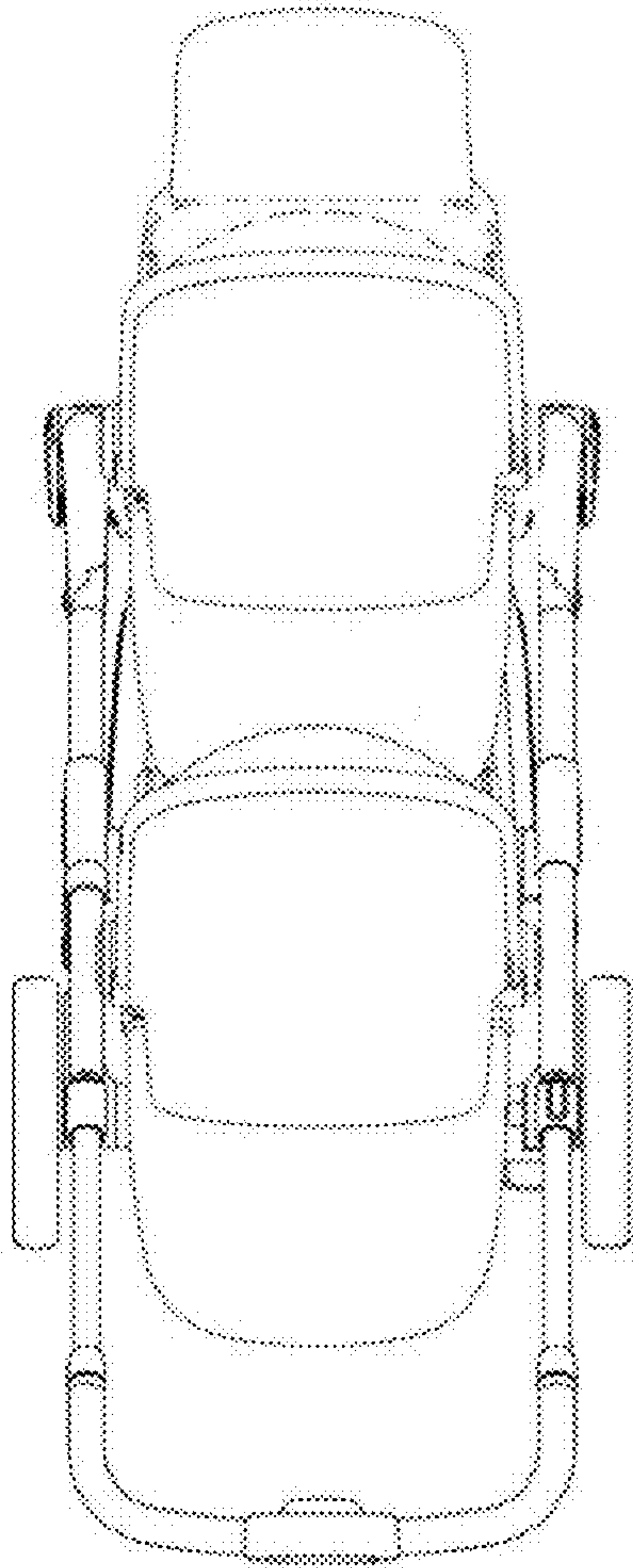


Fig. 5E

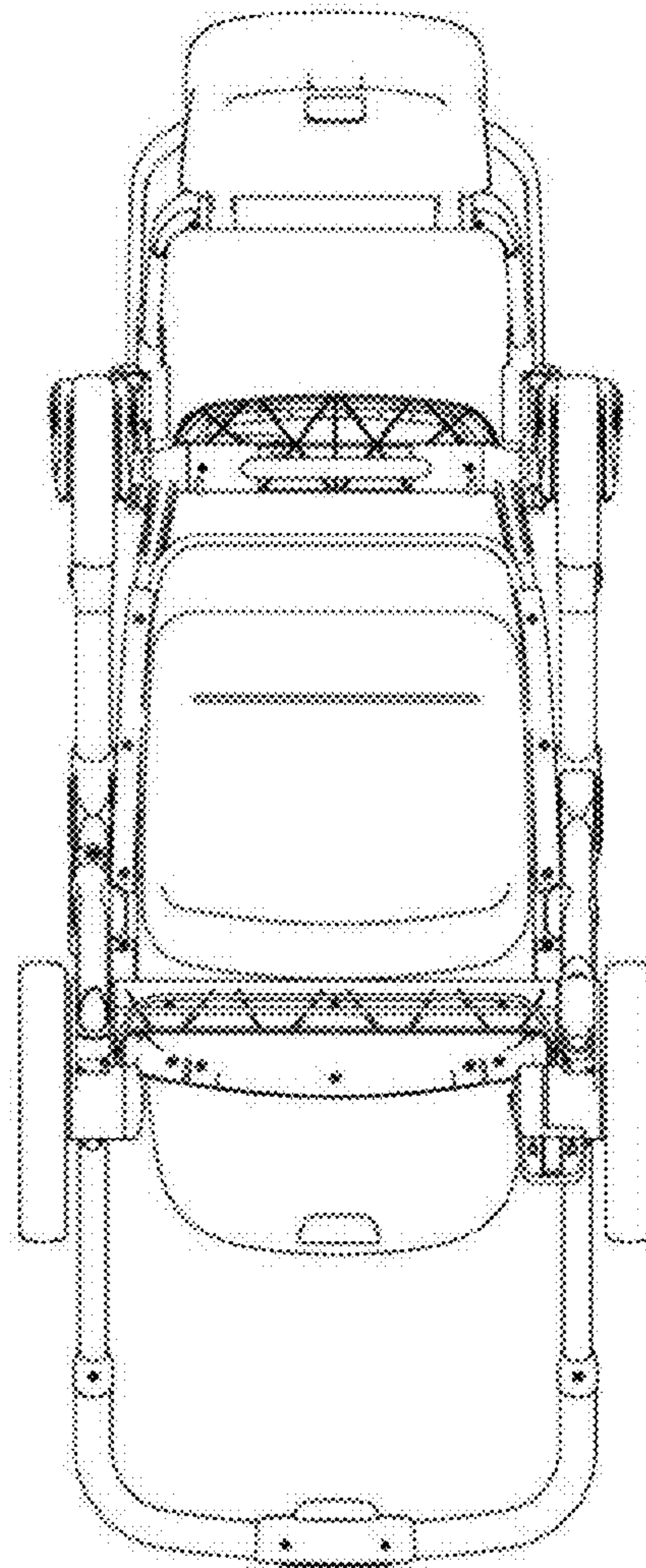


Fig. 5F



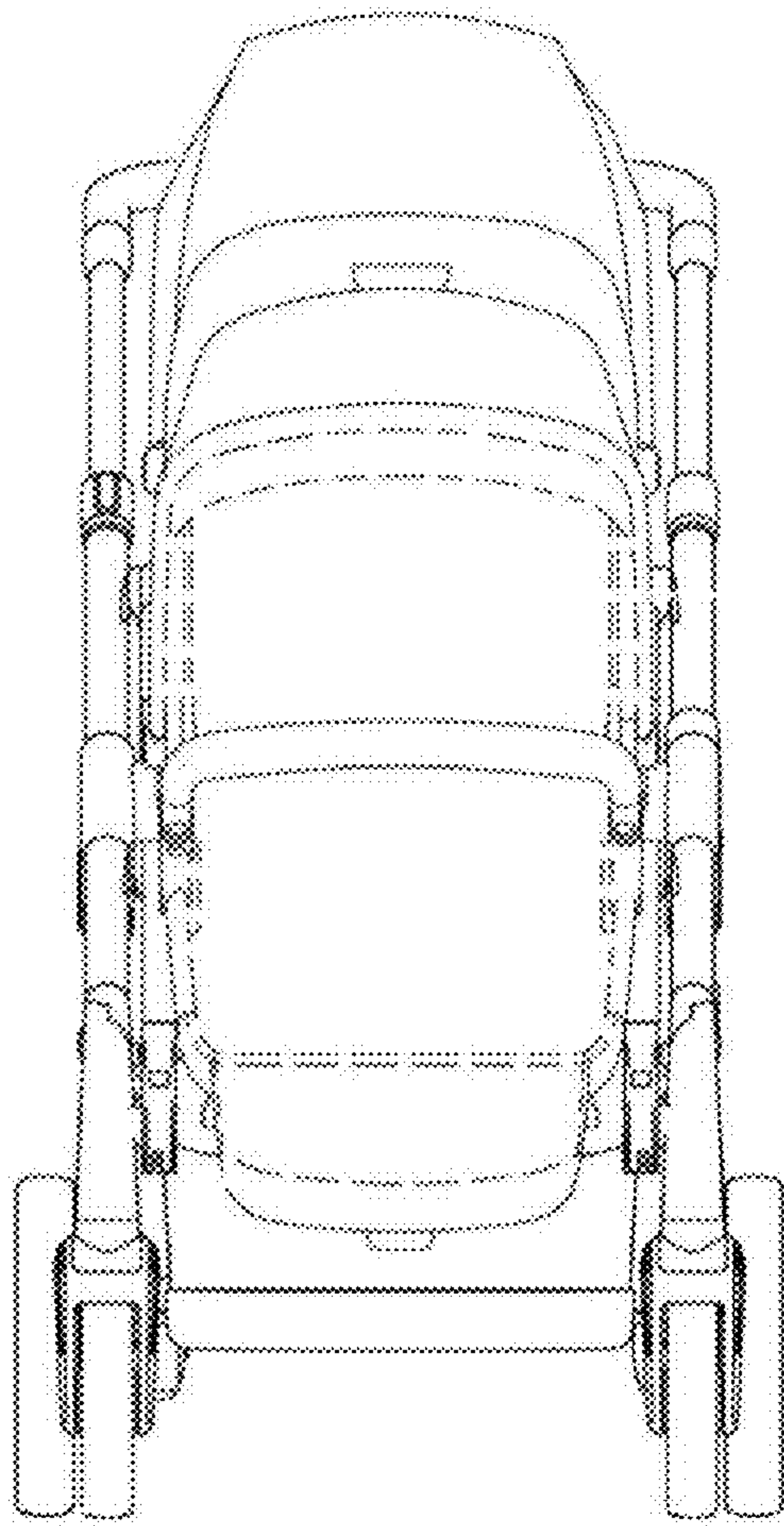


Fig. 6A

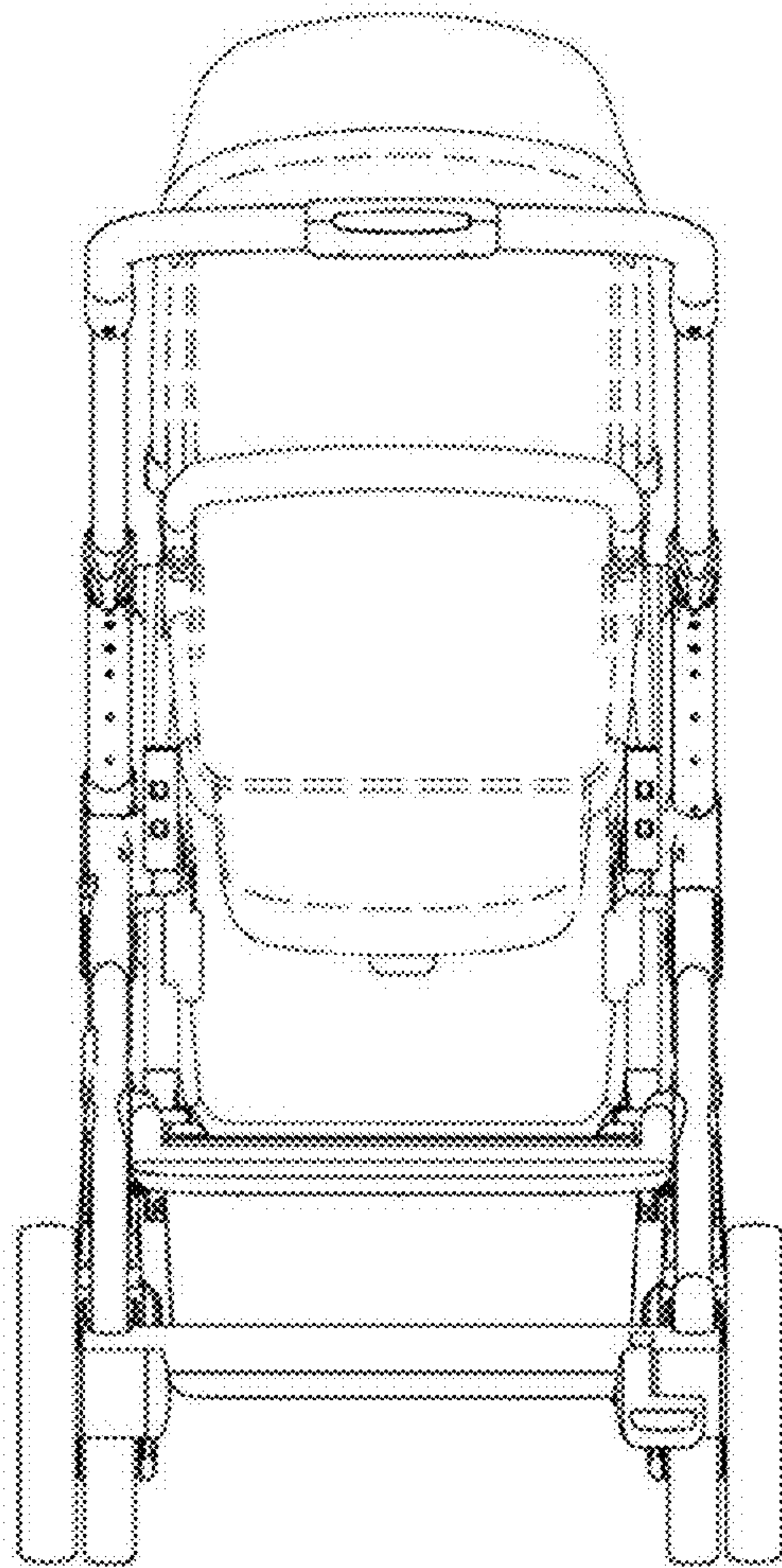


Fig. 6B

Fig. 6C

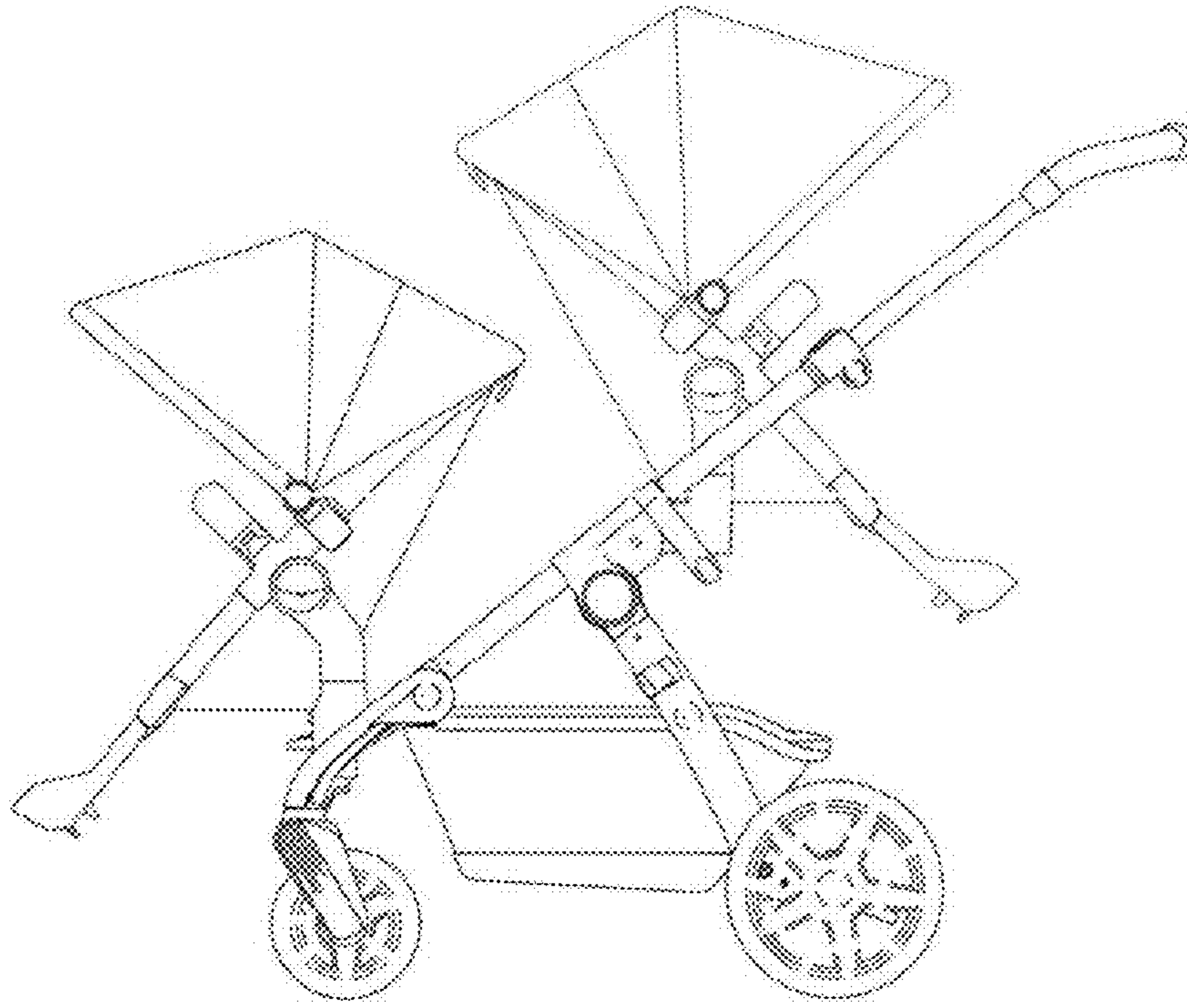
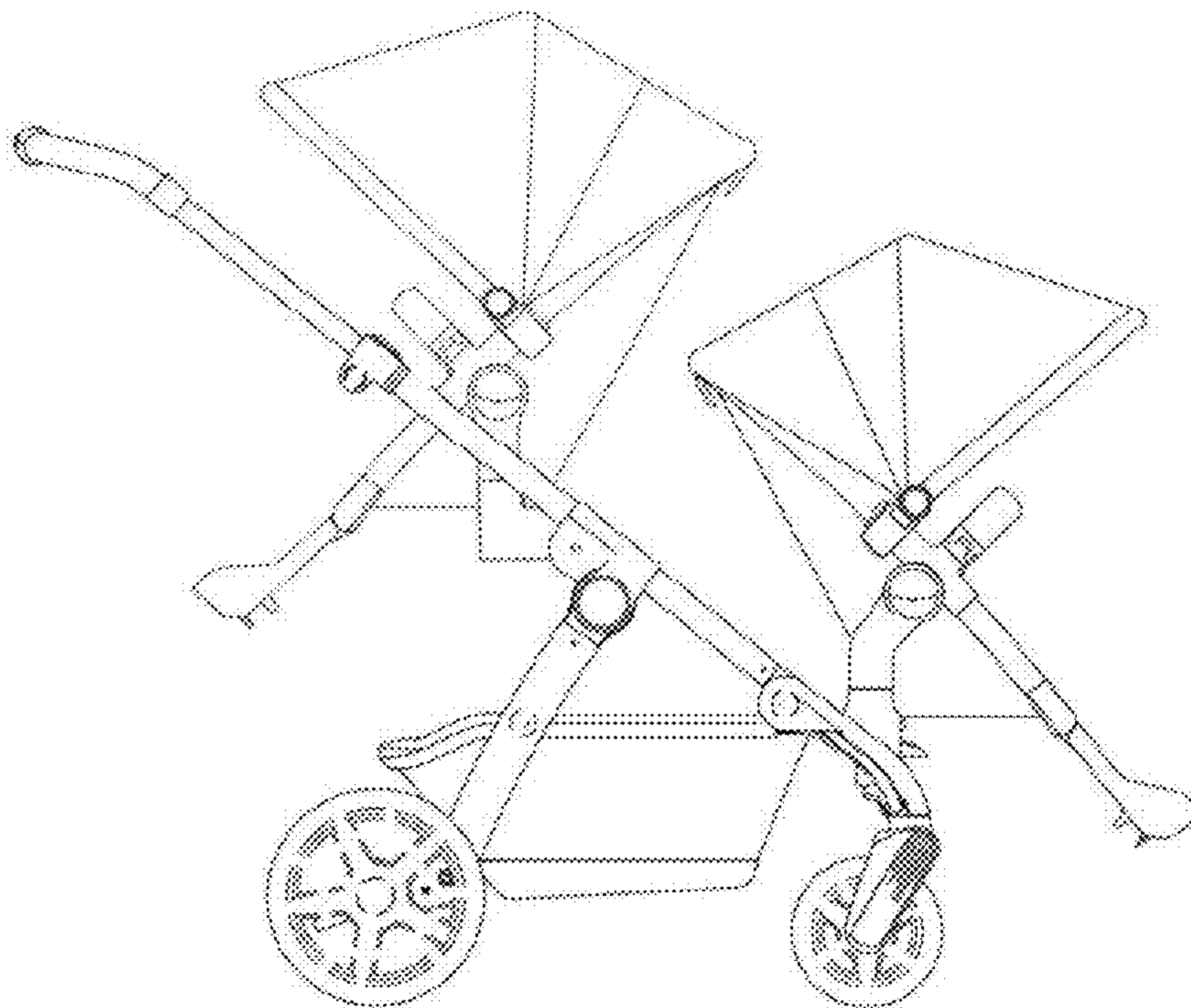


Fig. 6D





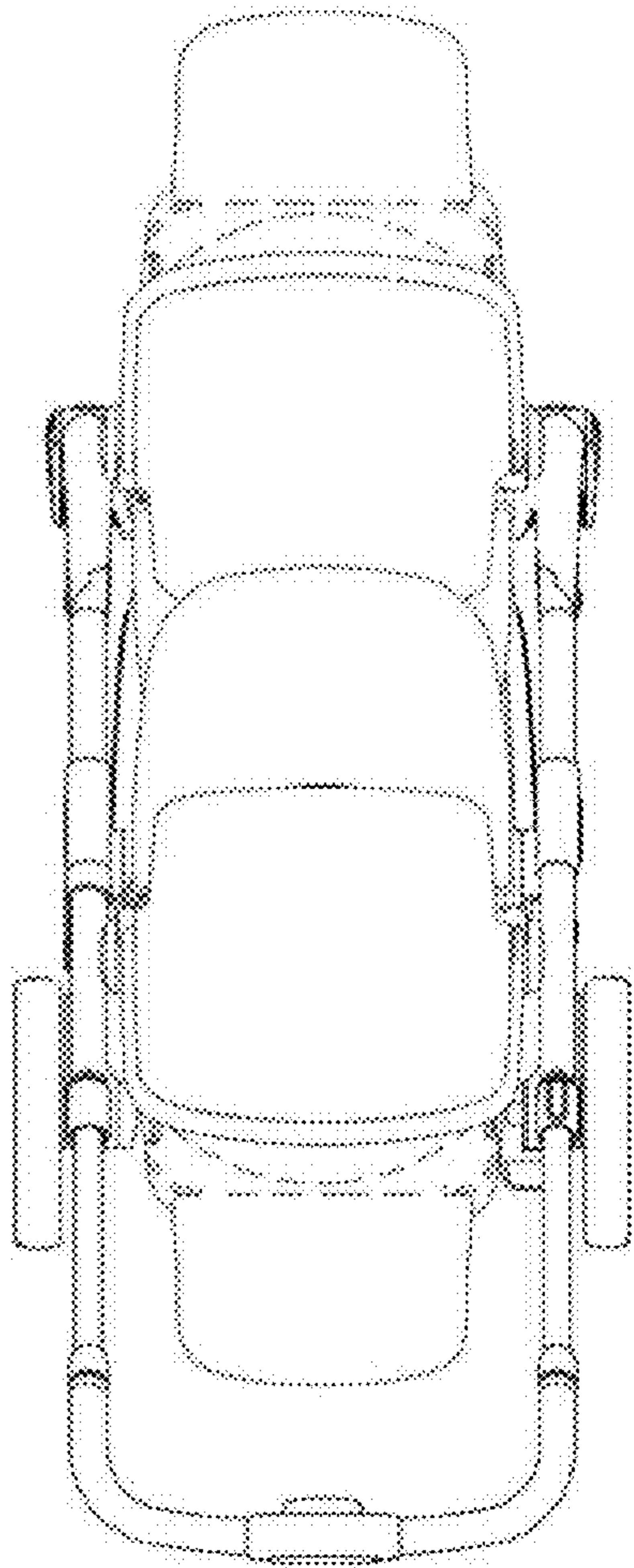


Fig. 6E

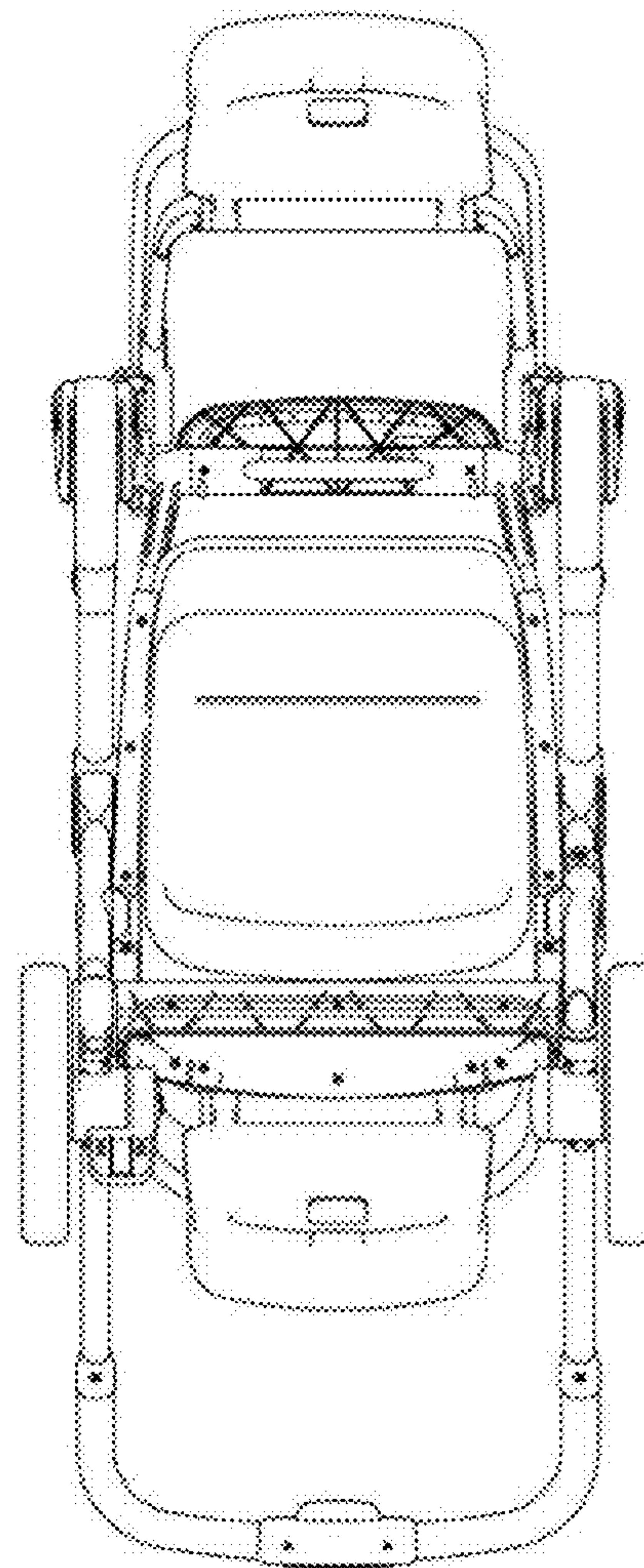


Fig. 6F

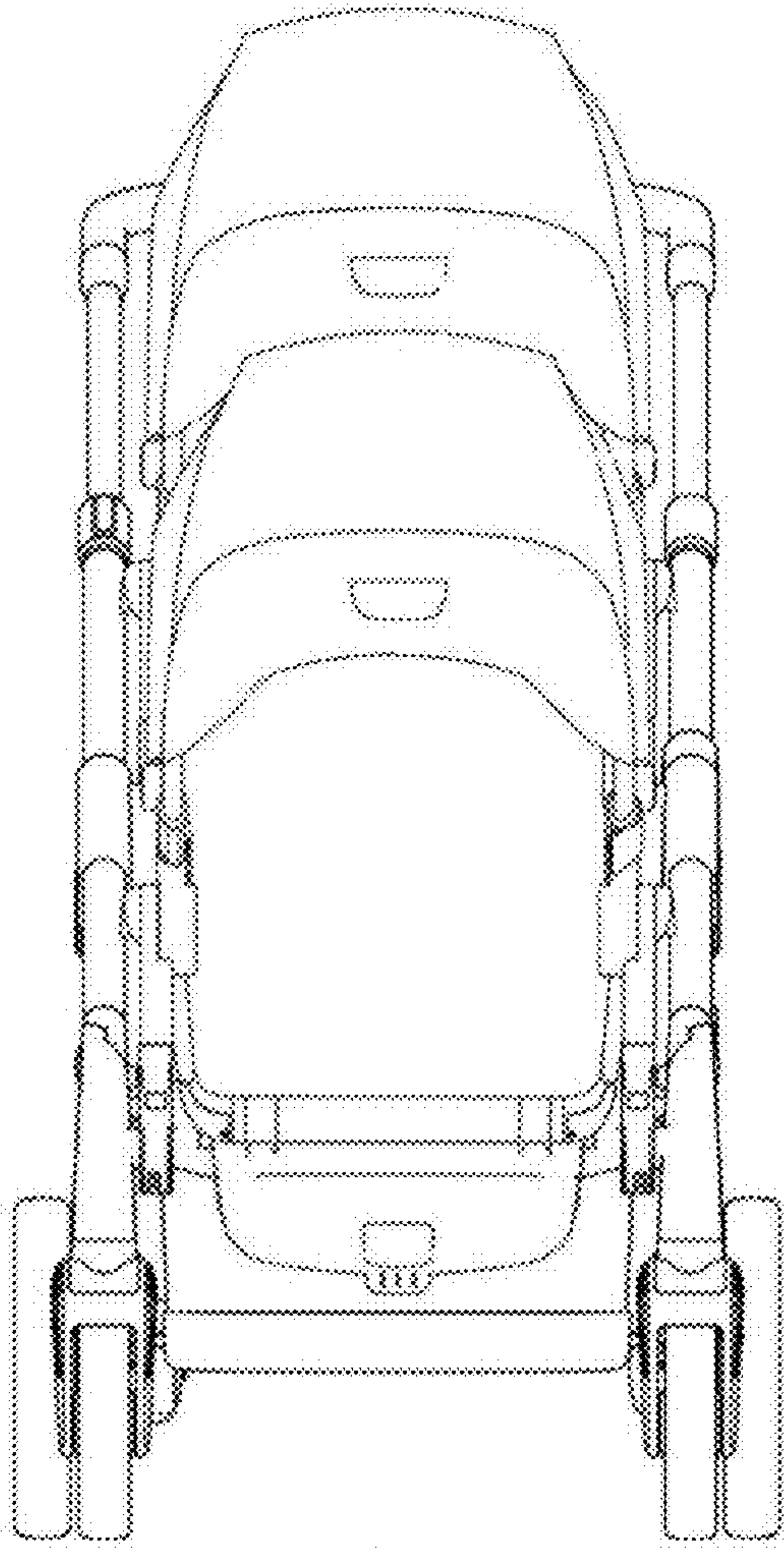


Fig. 7A

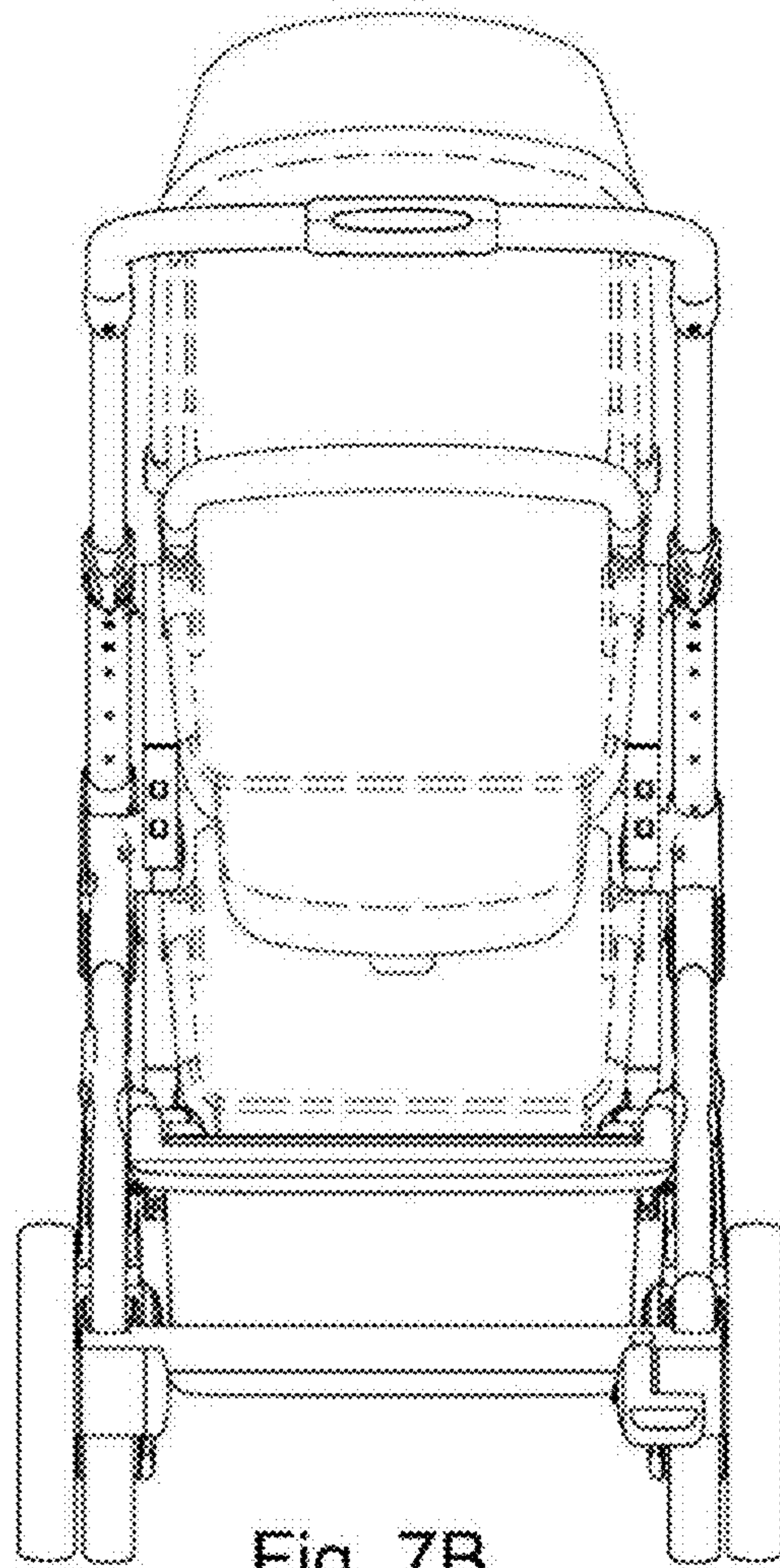


Fig. 7B



Fig. 7C

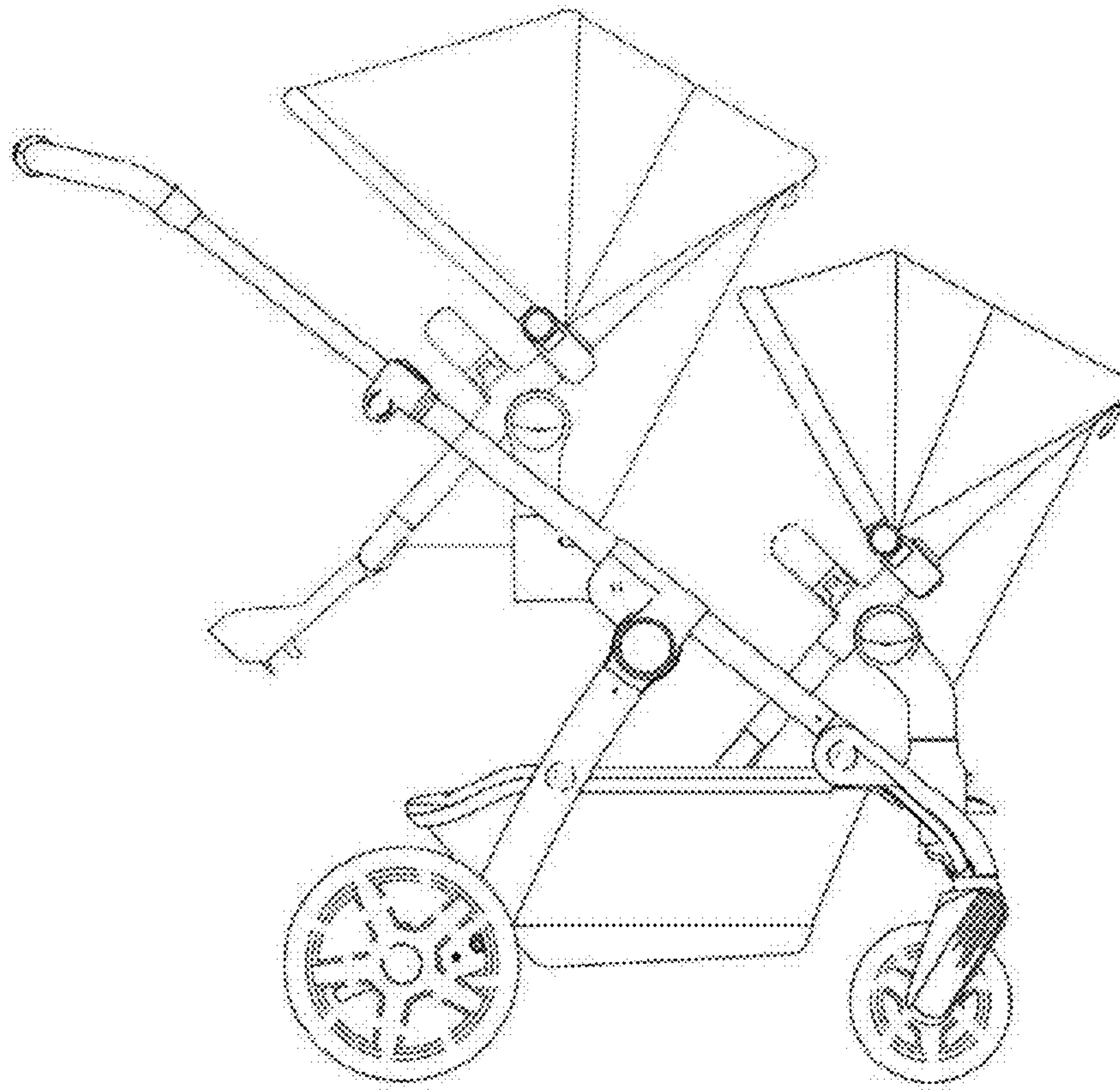
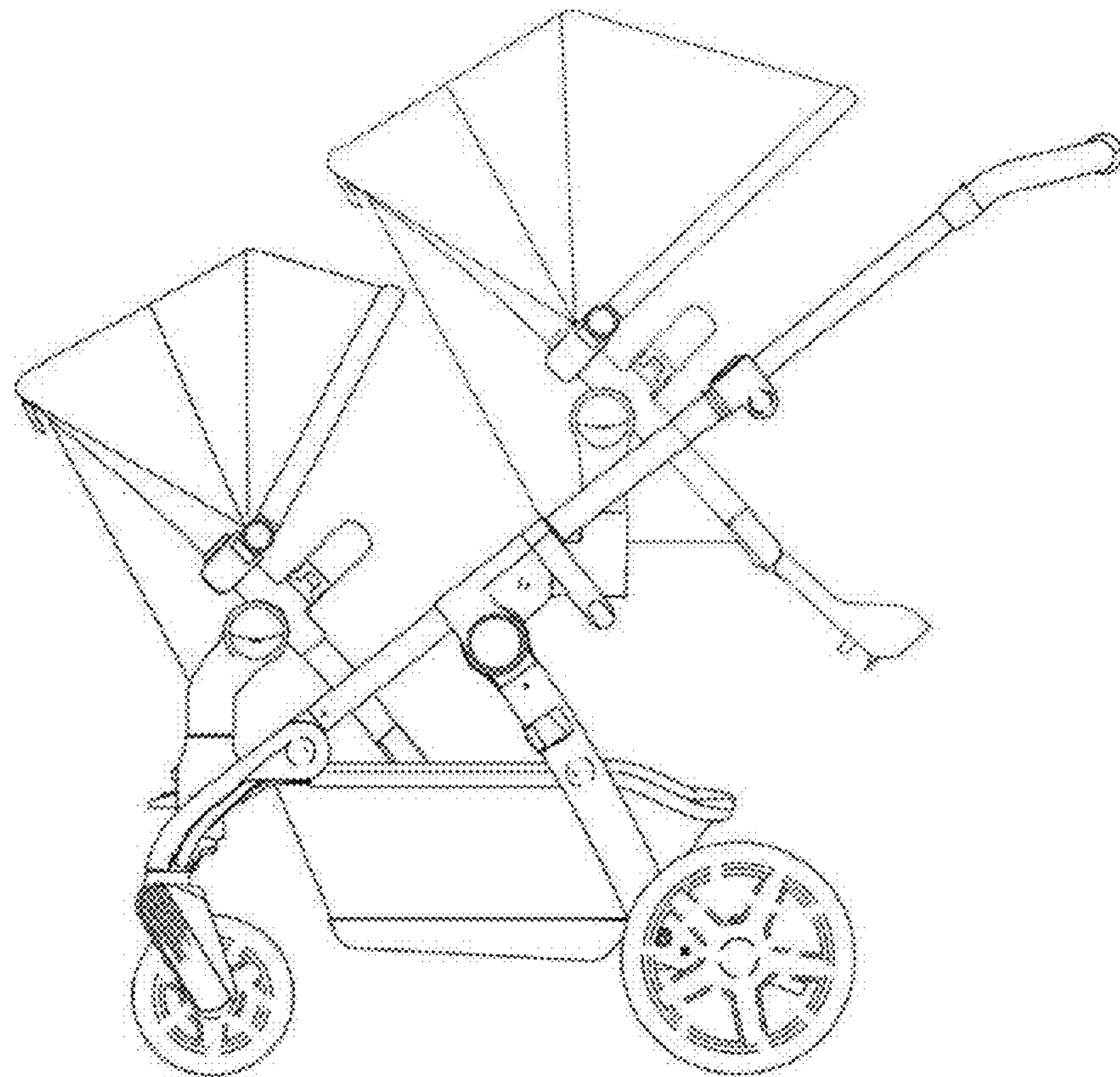


Fig. 7D



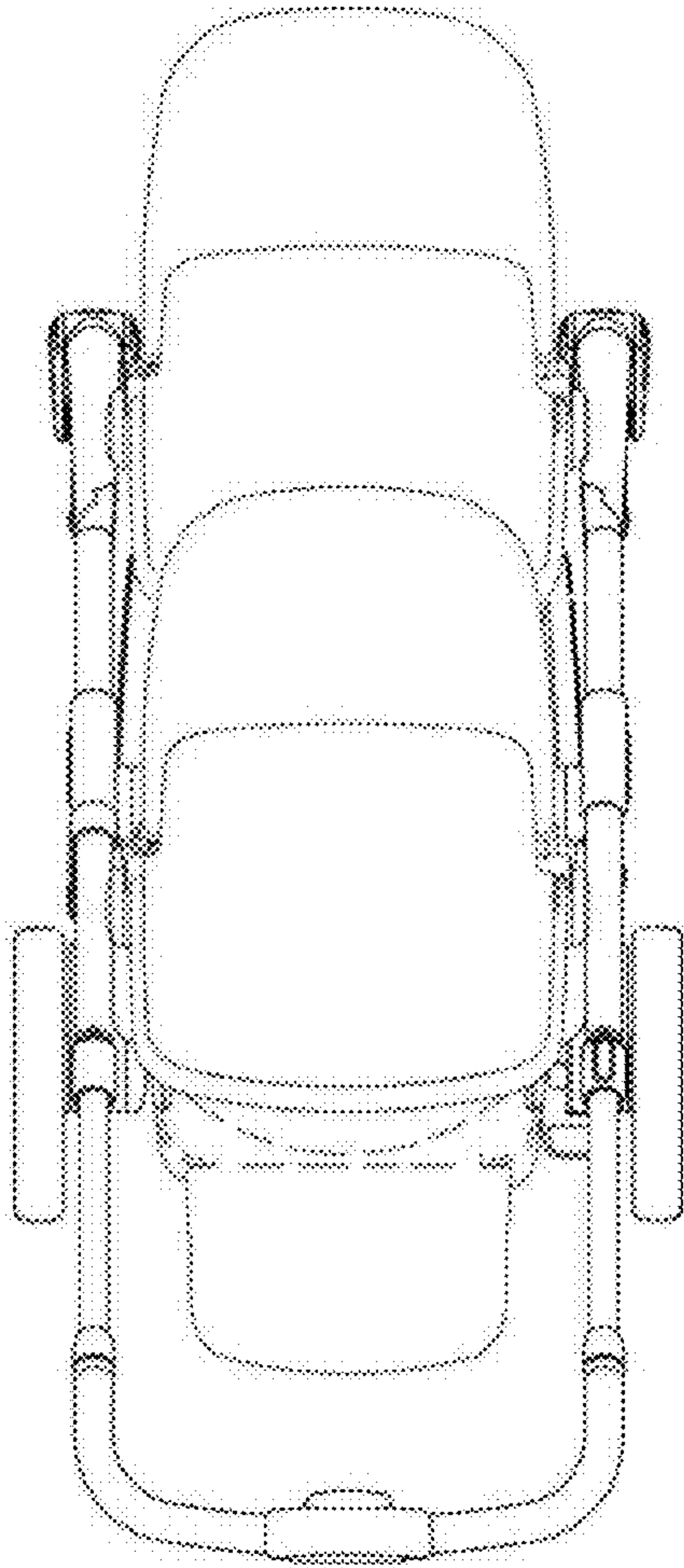


Fig. 7E

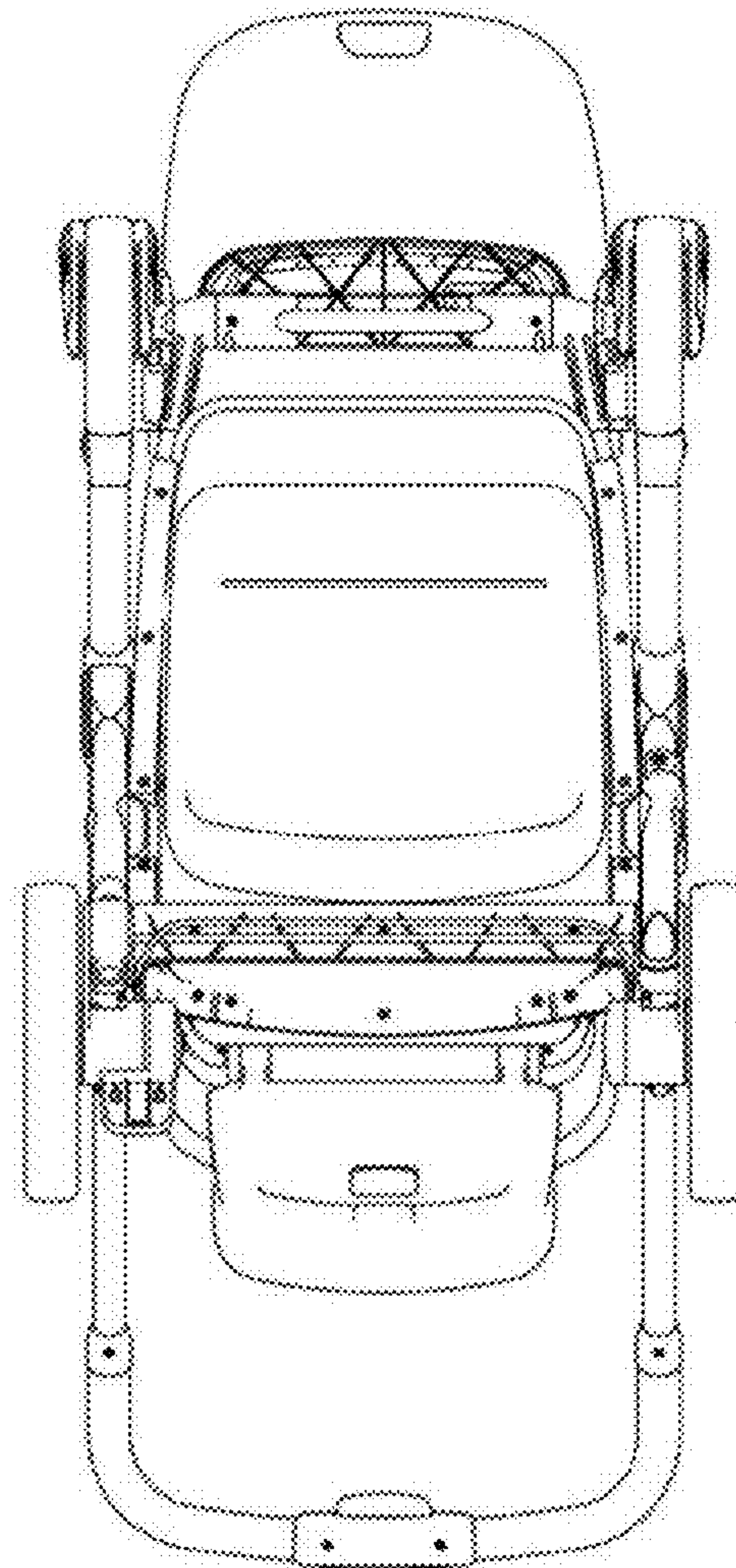


Fig. 7F



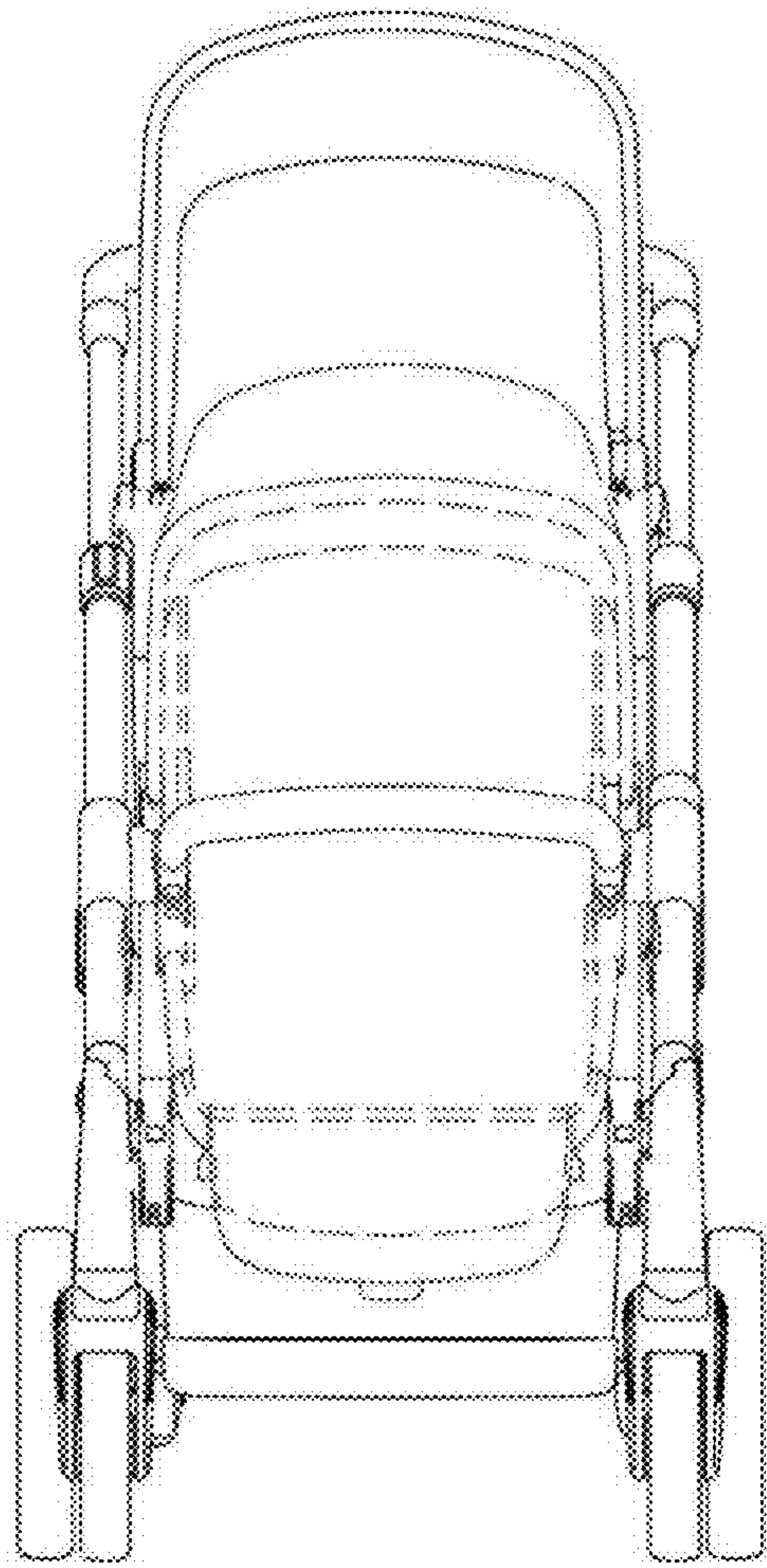


Fig. 8A

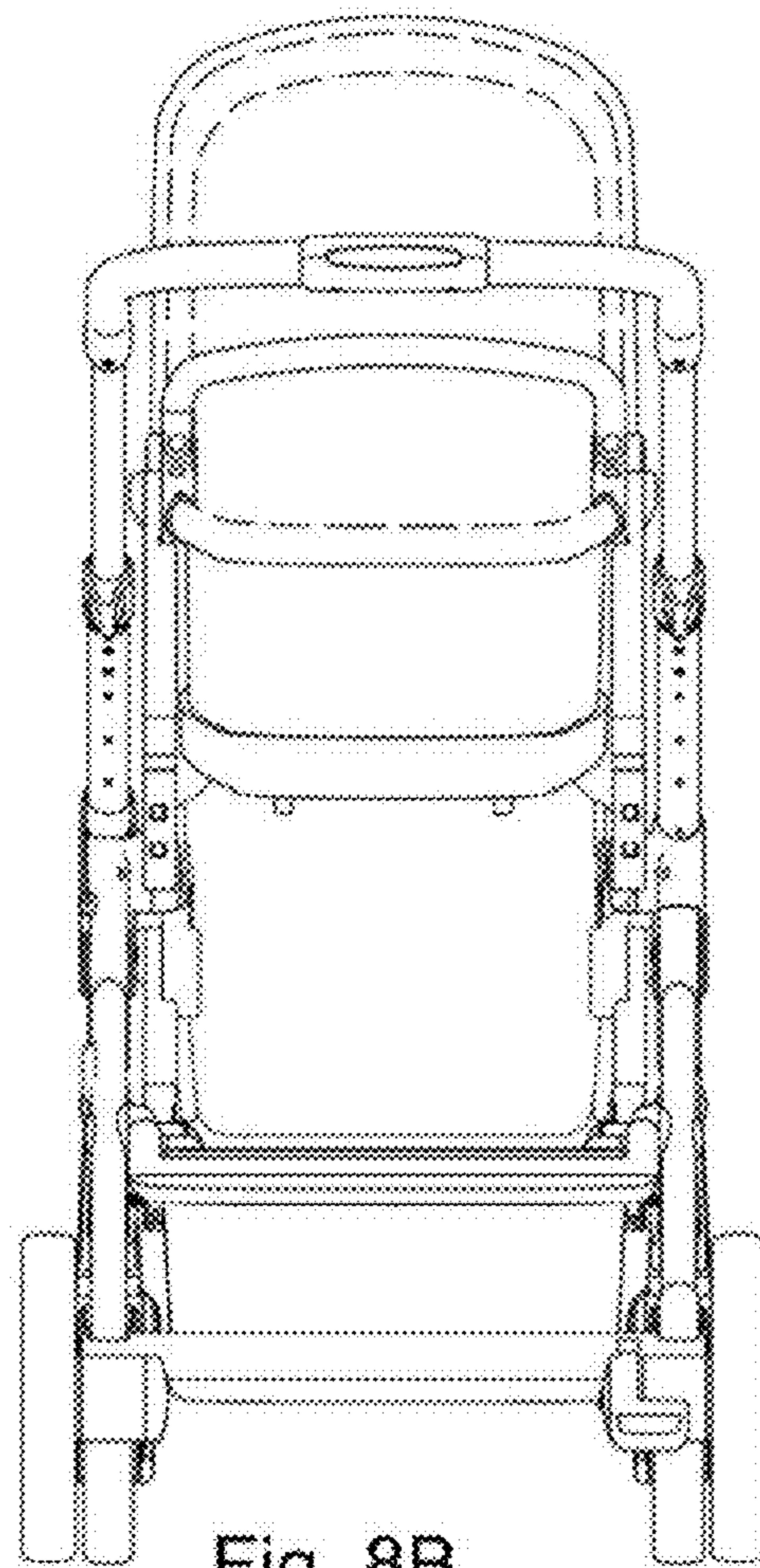


Fig. 8B

Fig. 8C

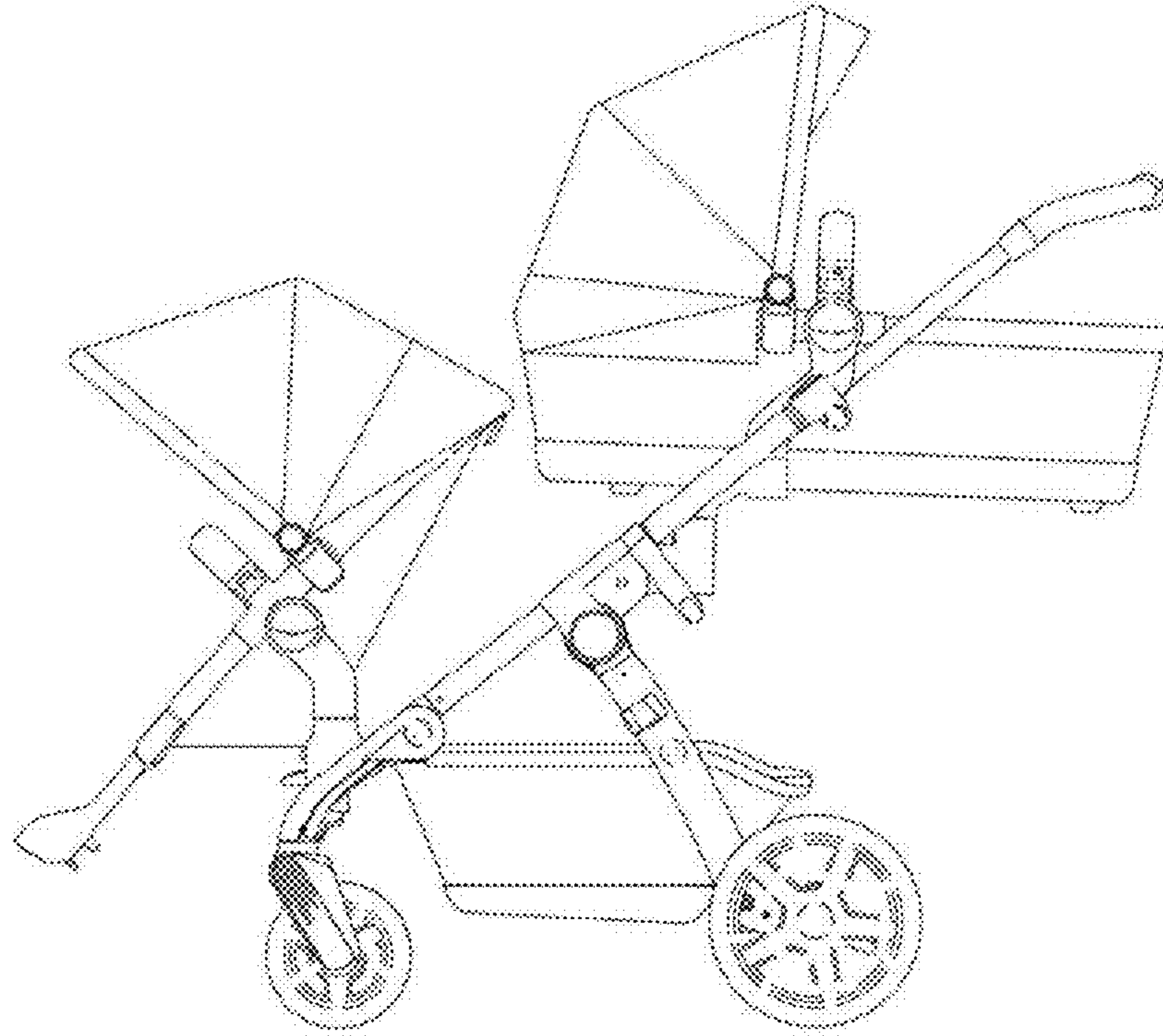
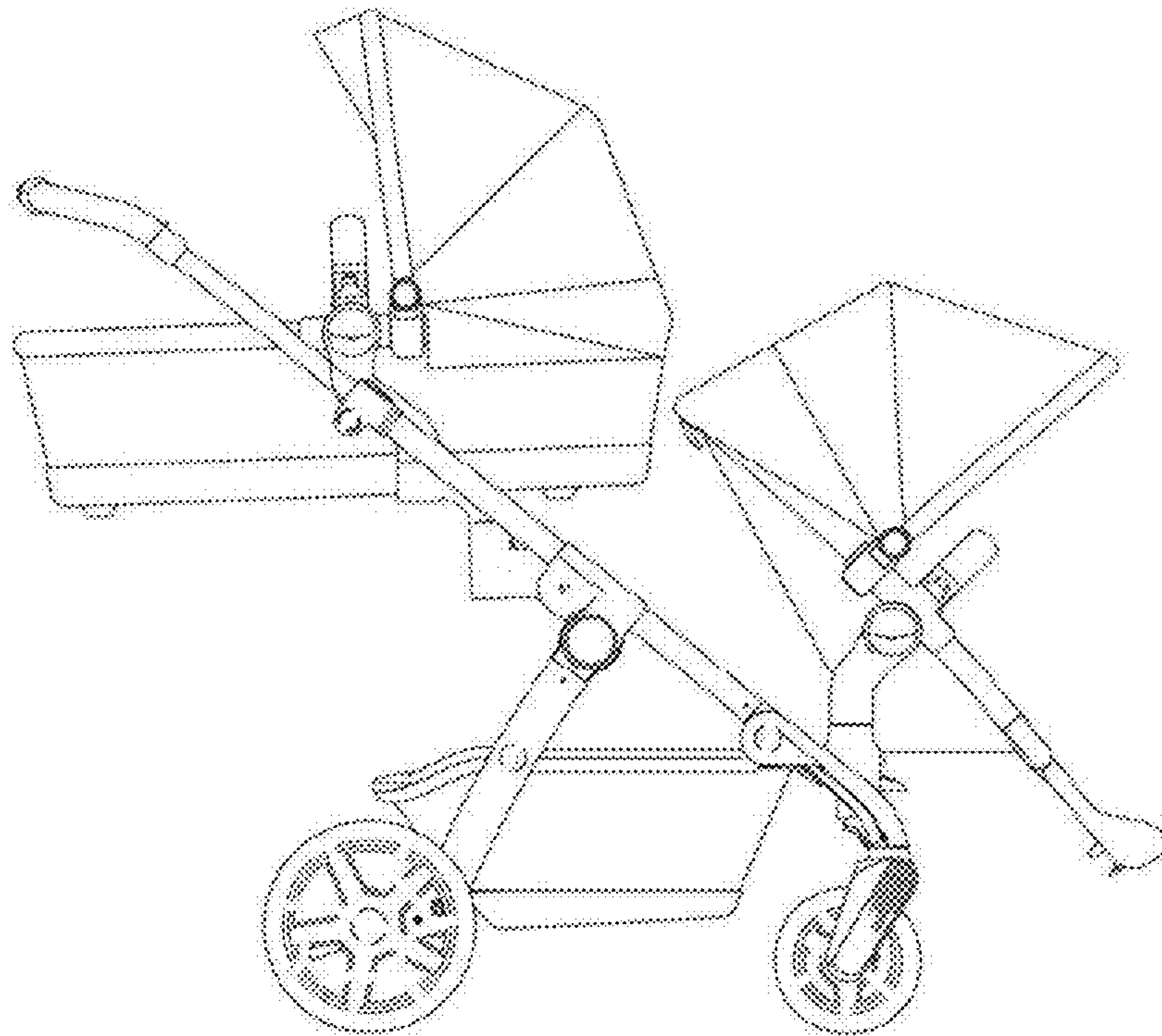


Fig. 8D





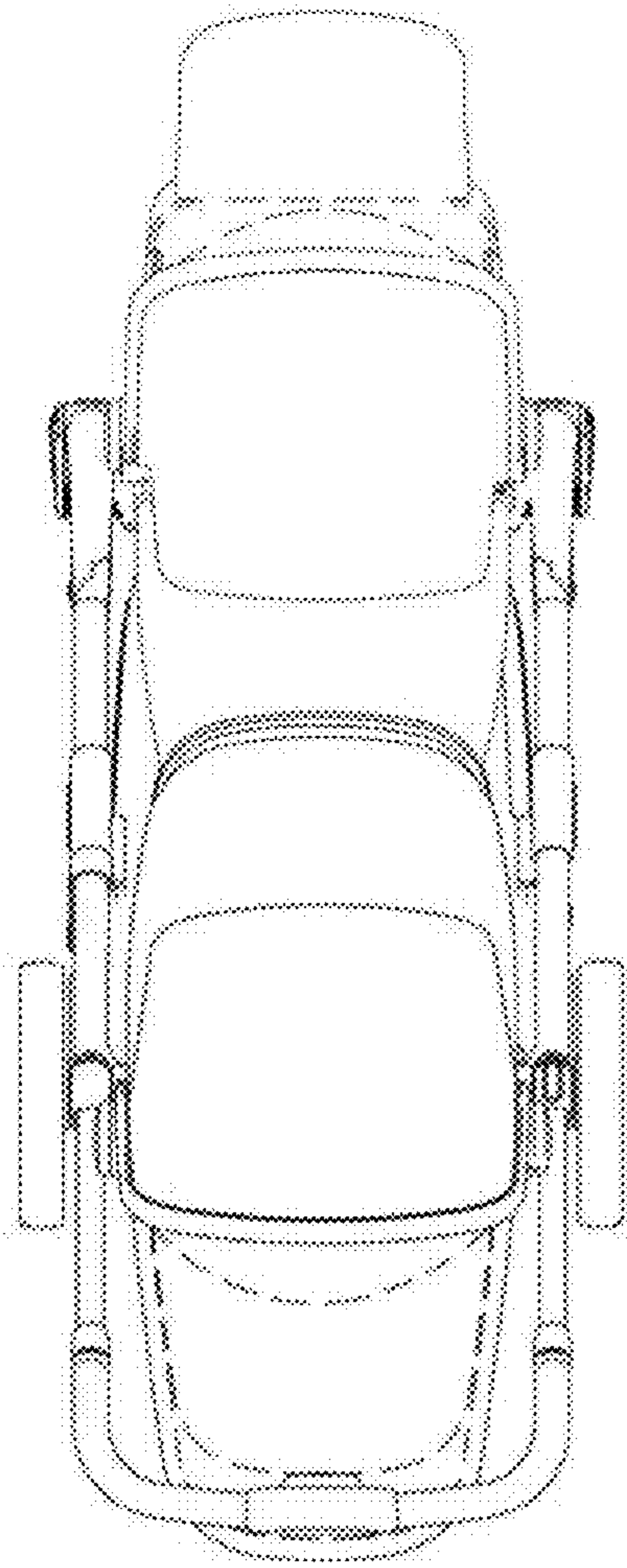


Fig. 8E

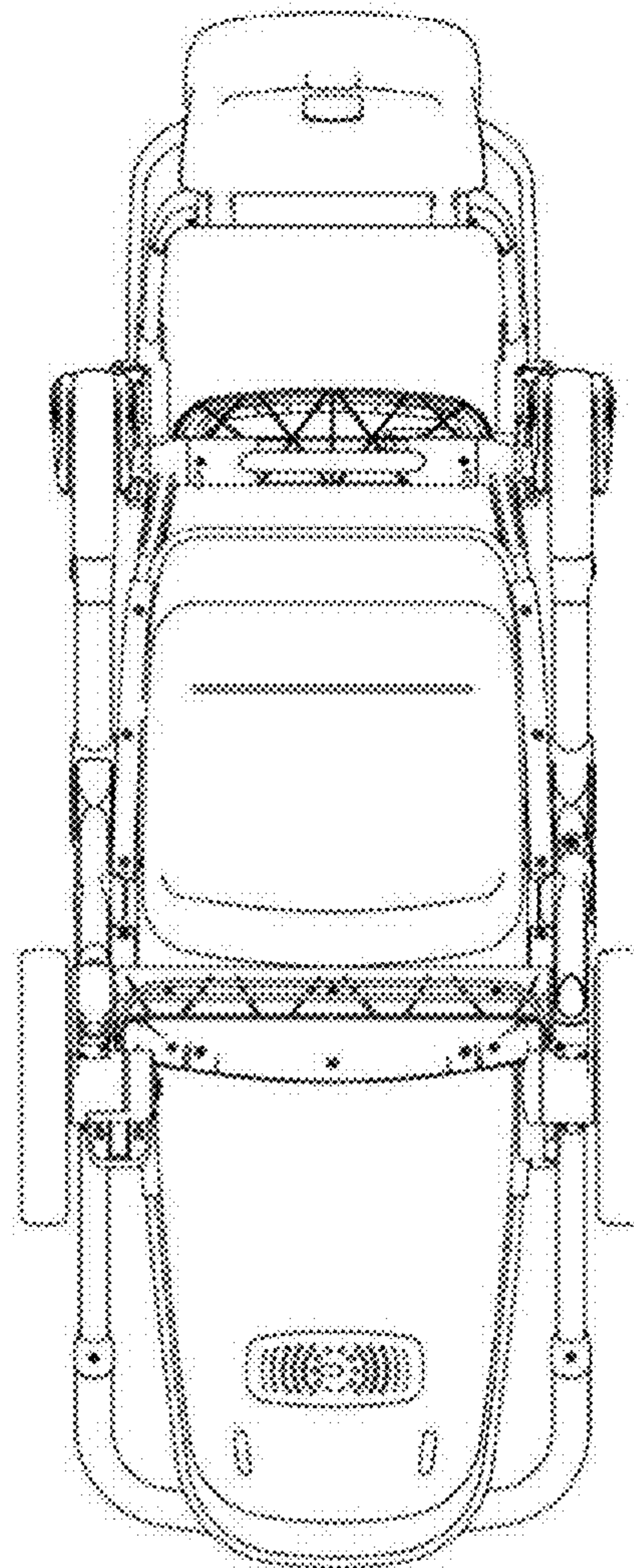


Fig. 8F

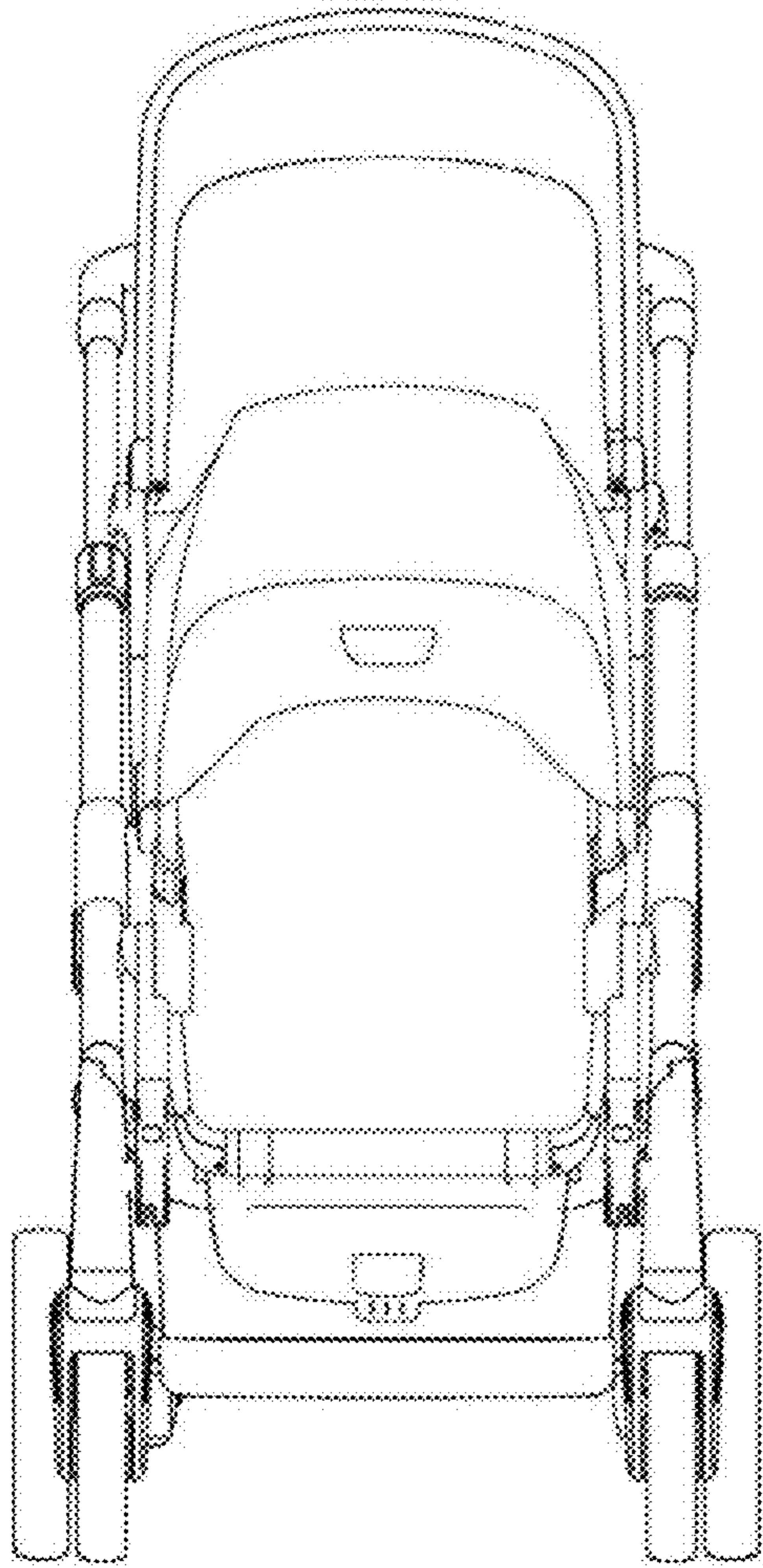


Fig. 9A

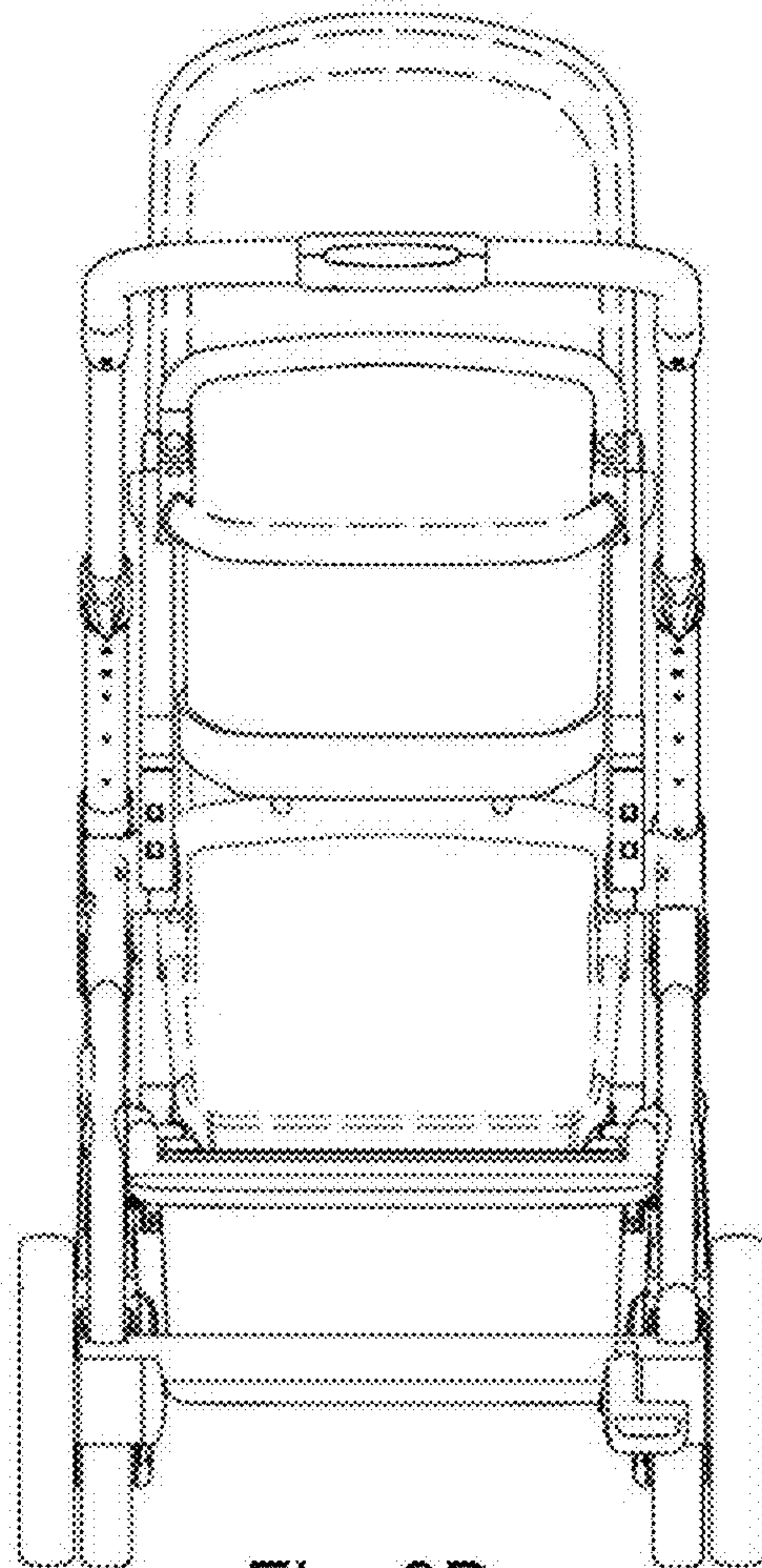


Fig. 9B



Fig. 9C

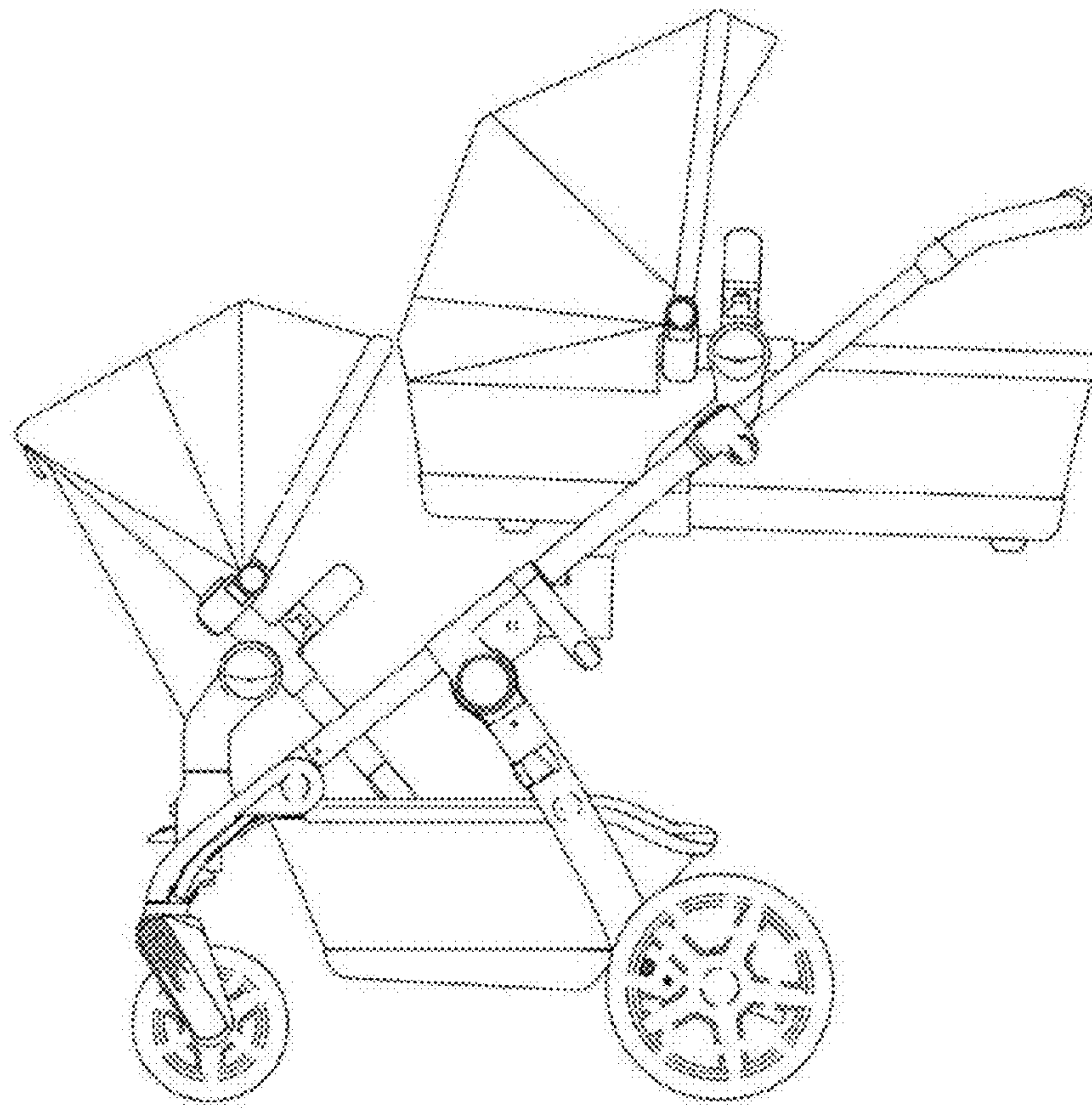
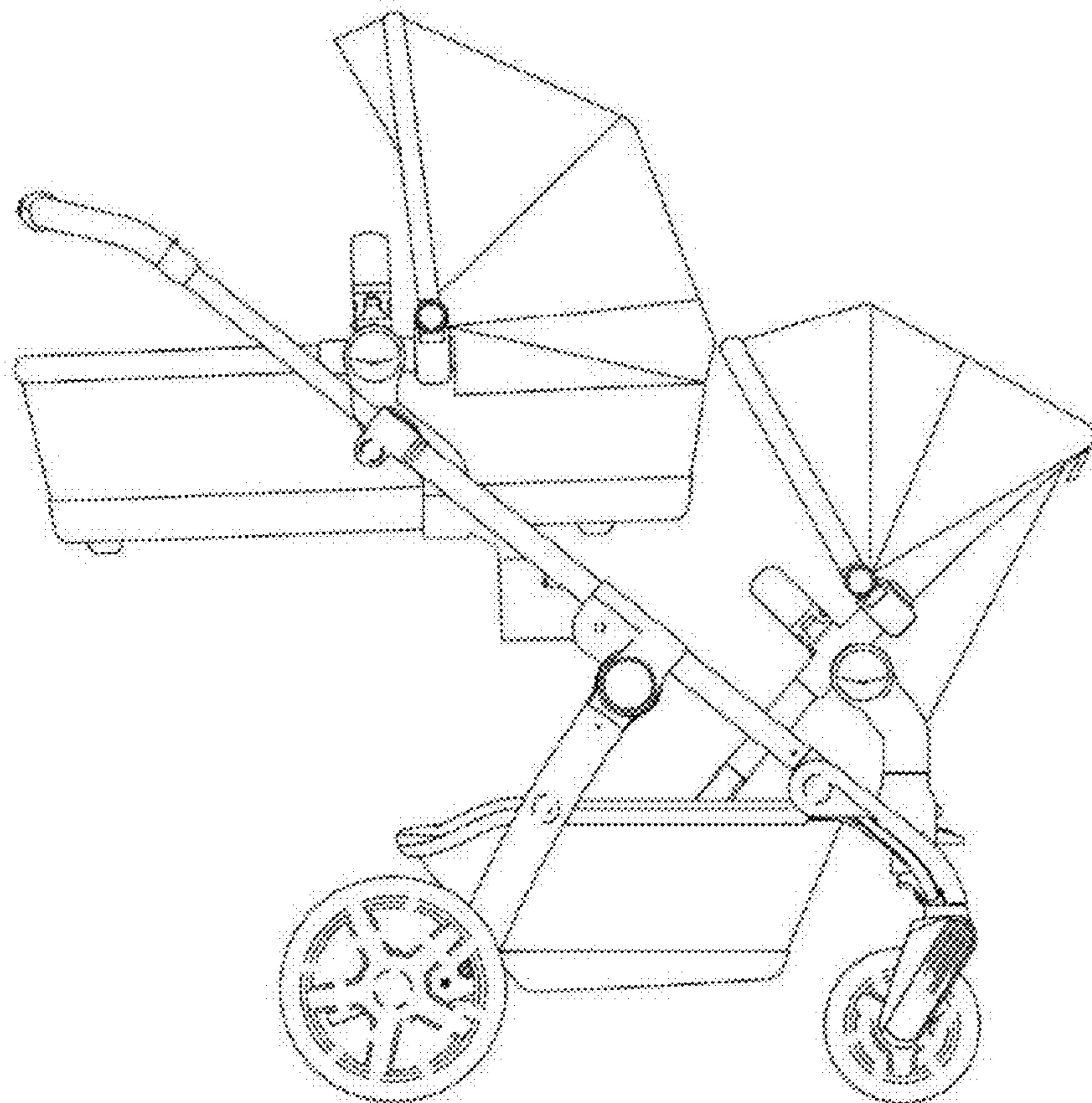


Fig. 9D



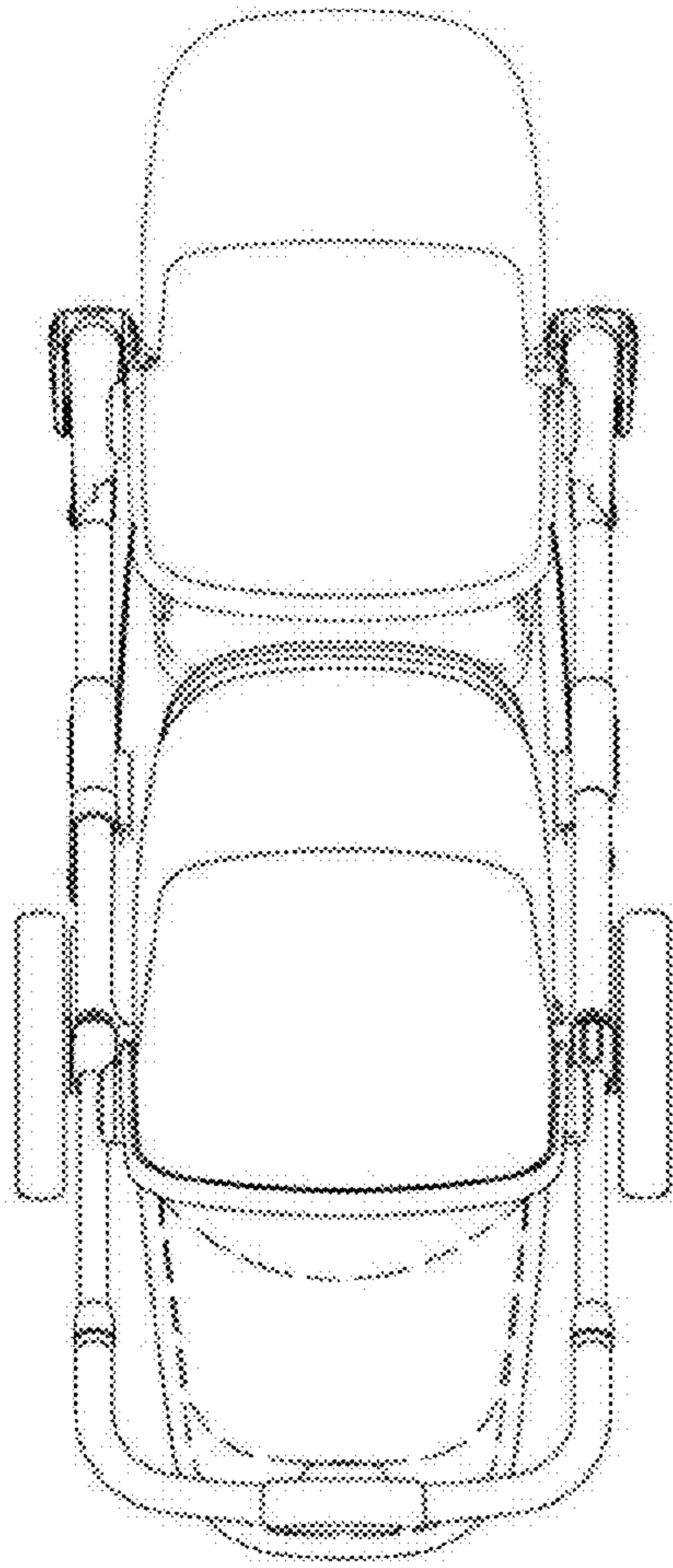


Fig. 9E

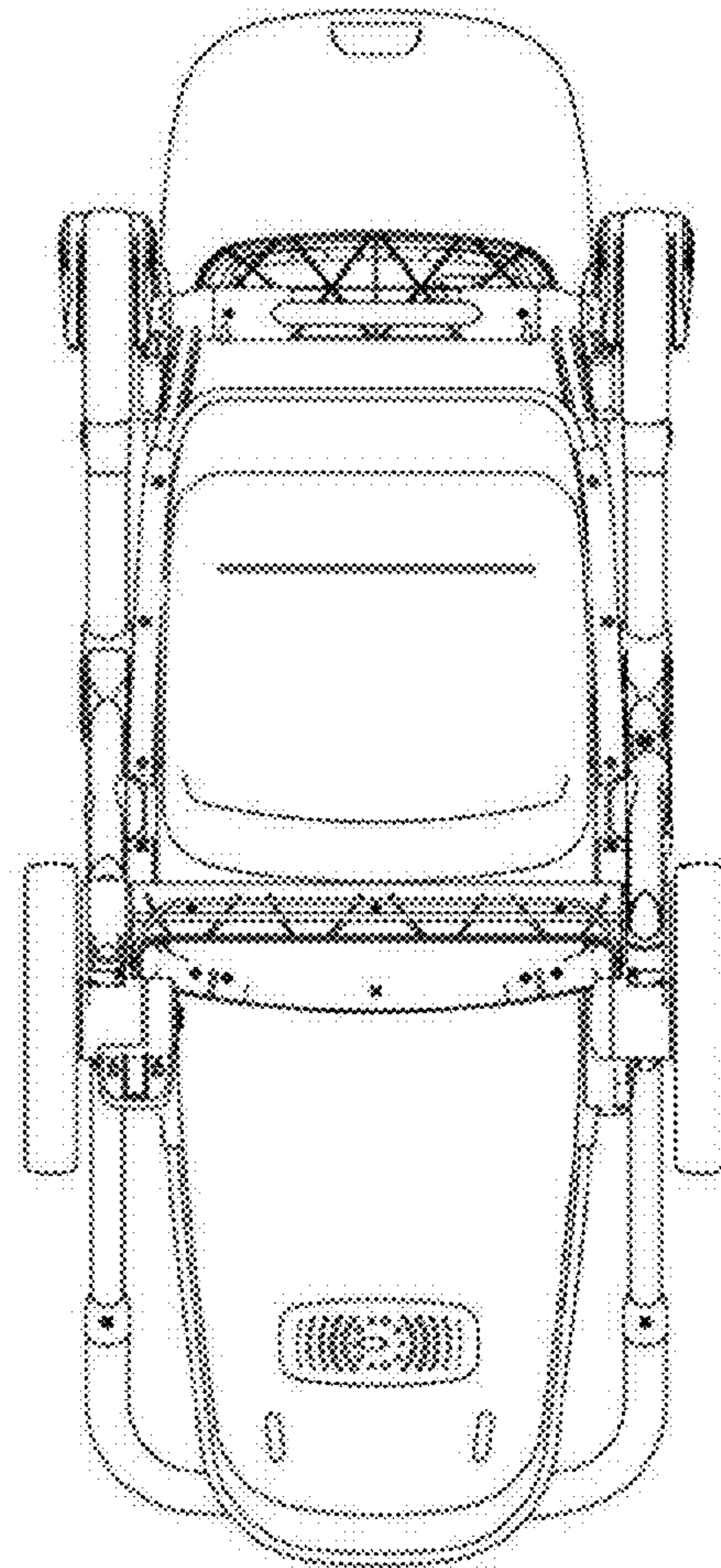


Fig. 9F



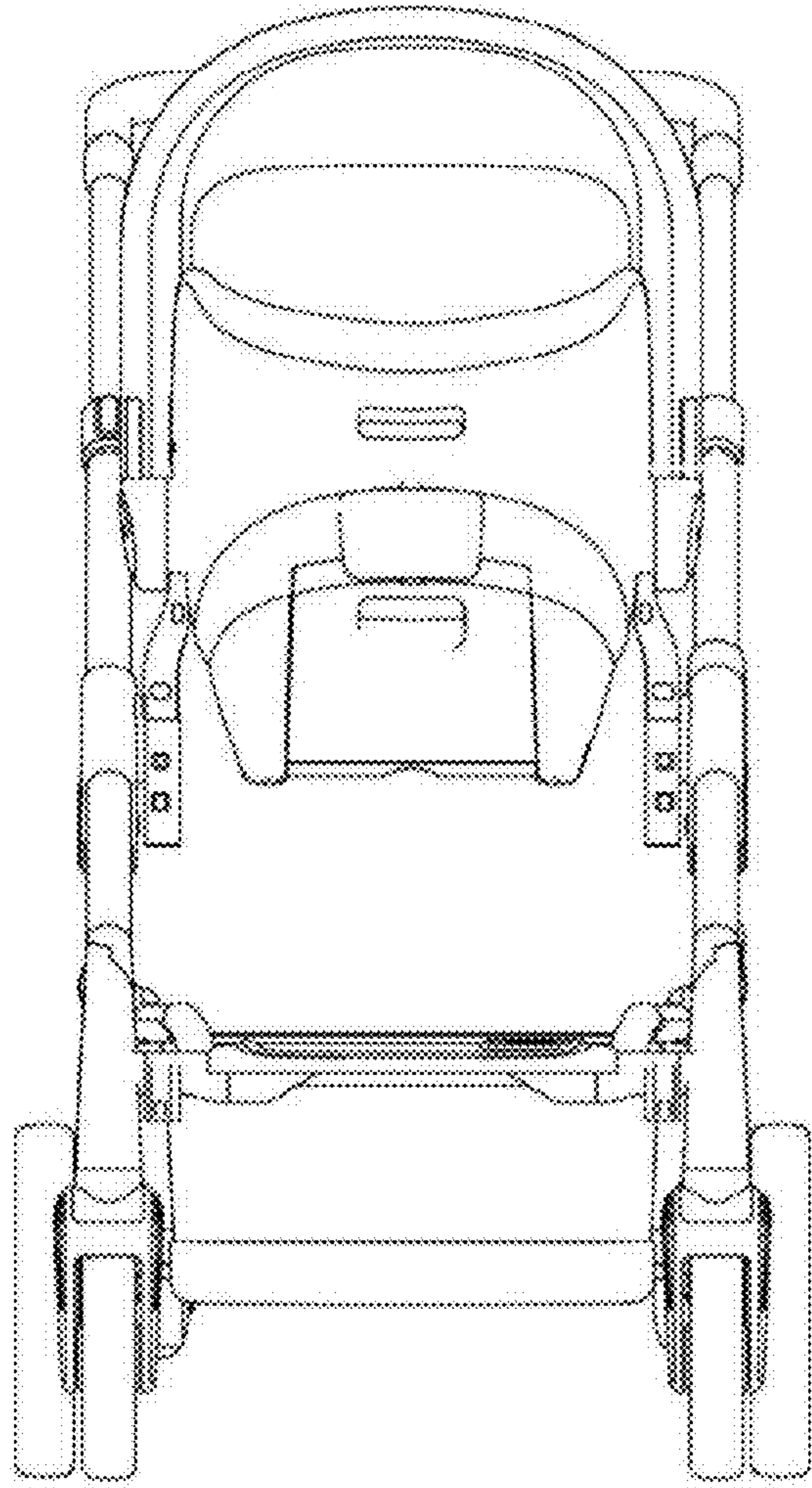


Fig. 10A

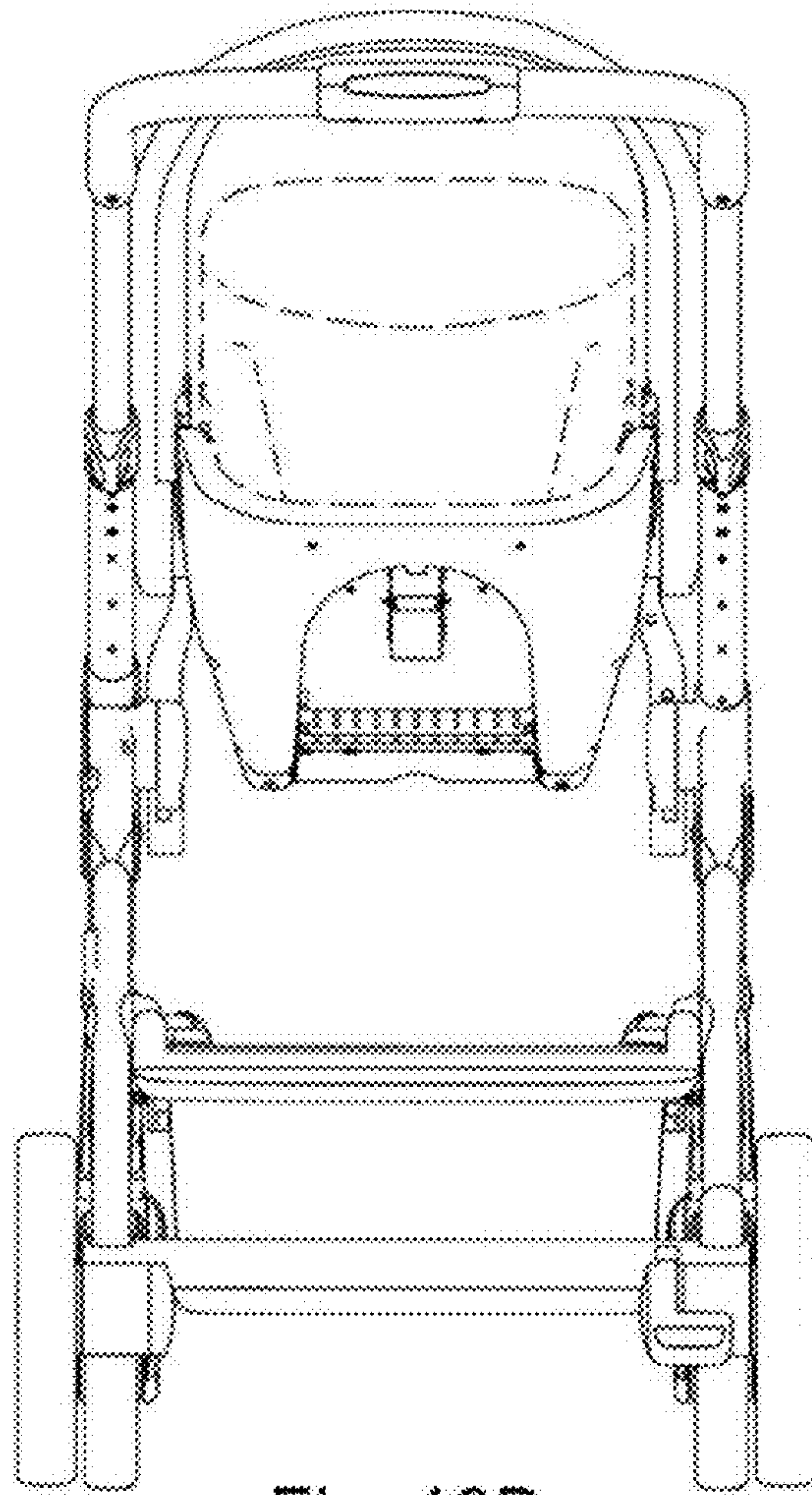


Fig. 10B

Fig. 10C

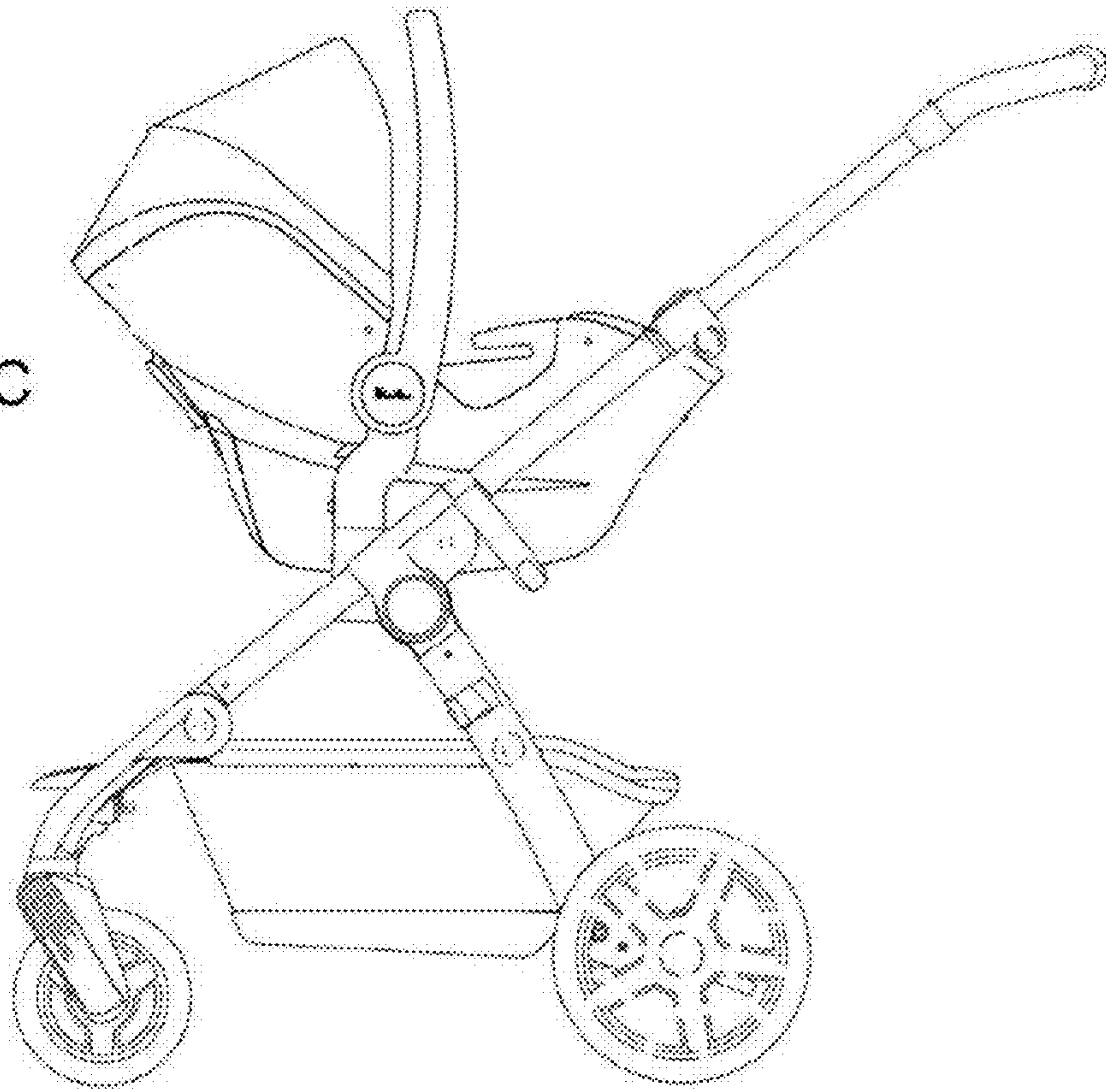
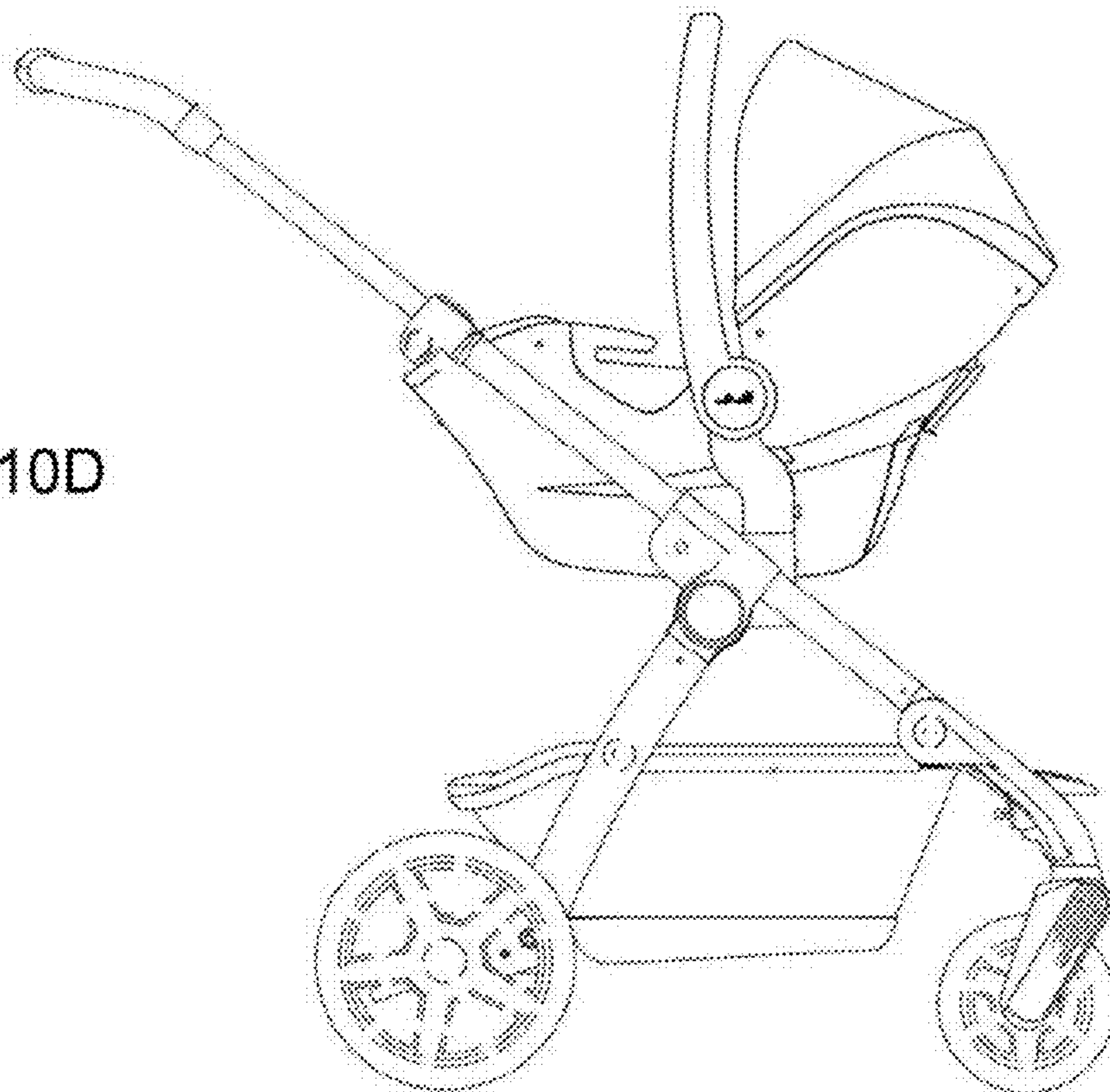


Fig. 10D





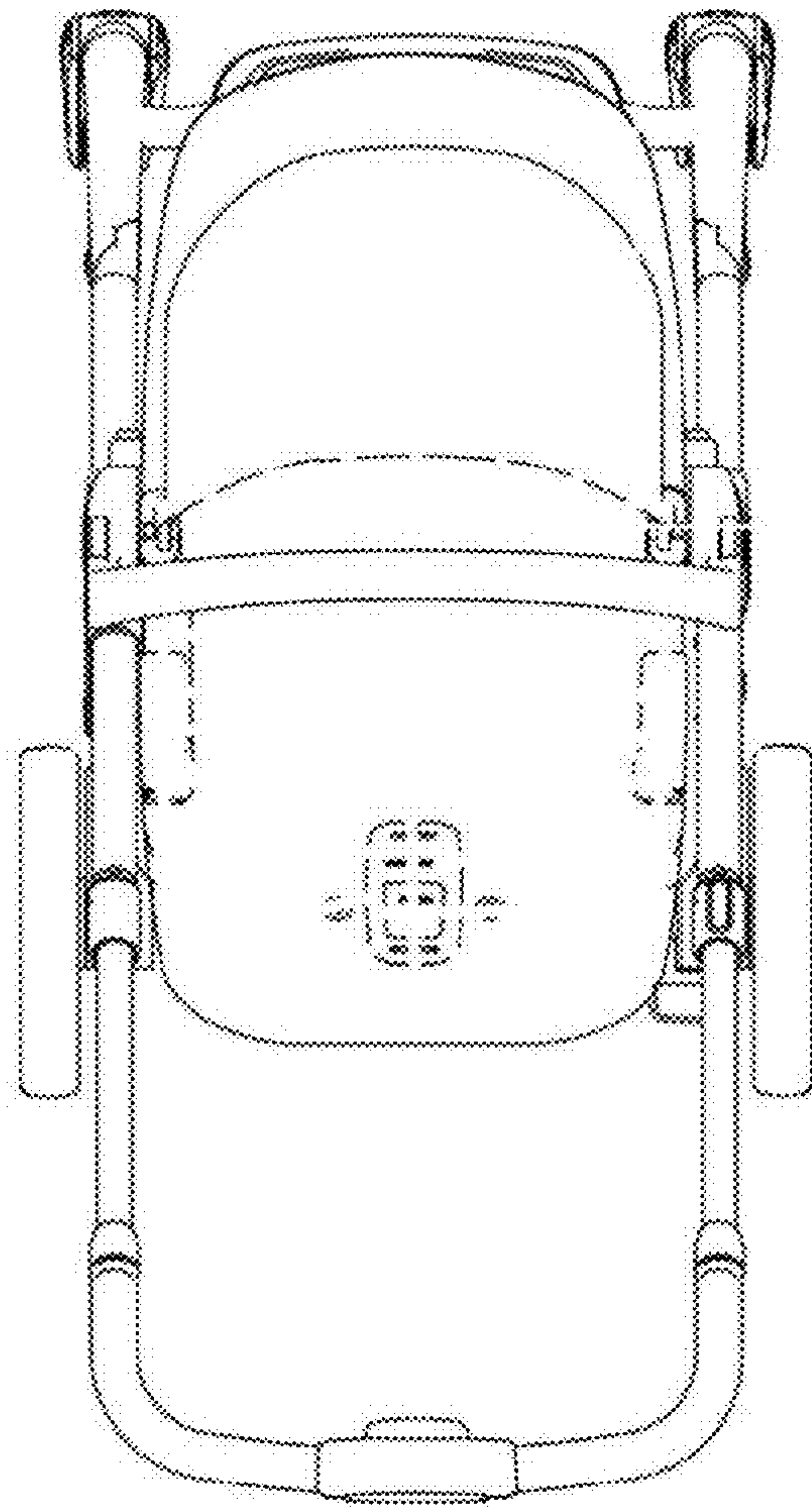


Fig. 10E

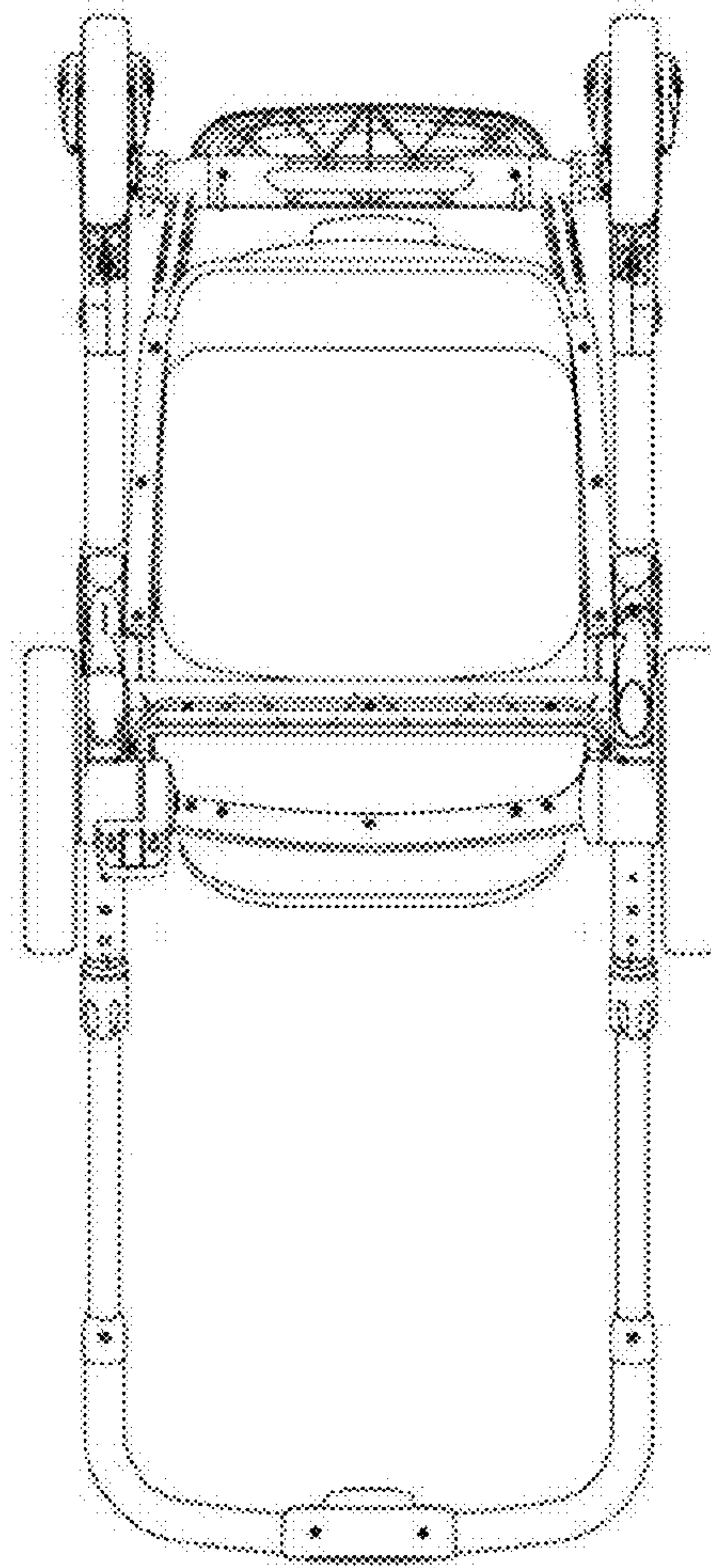


Fig. 10F

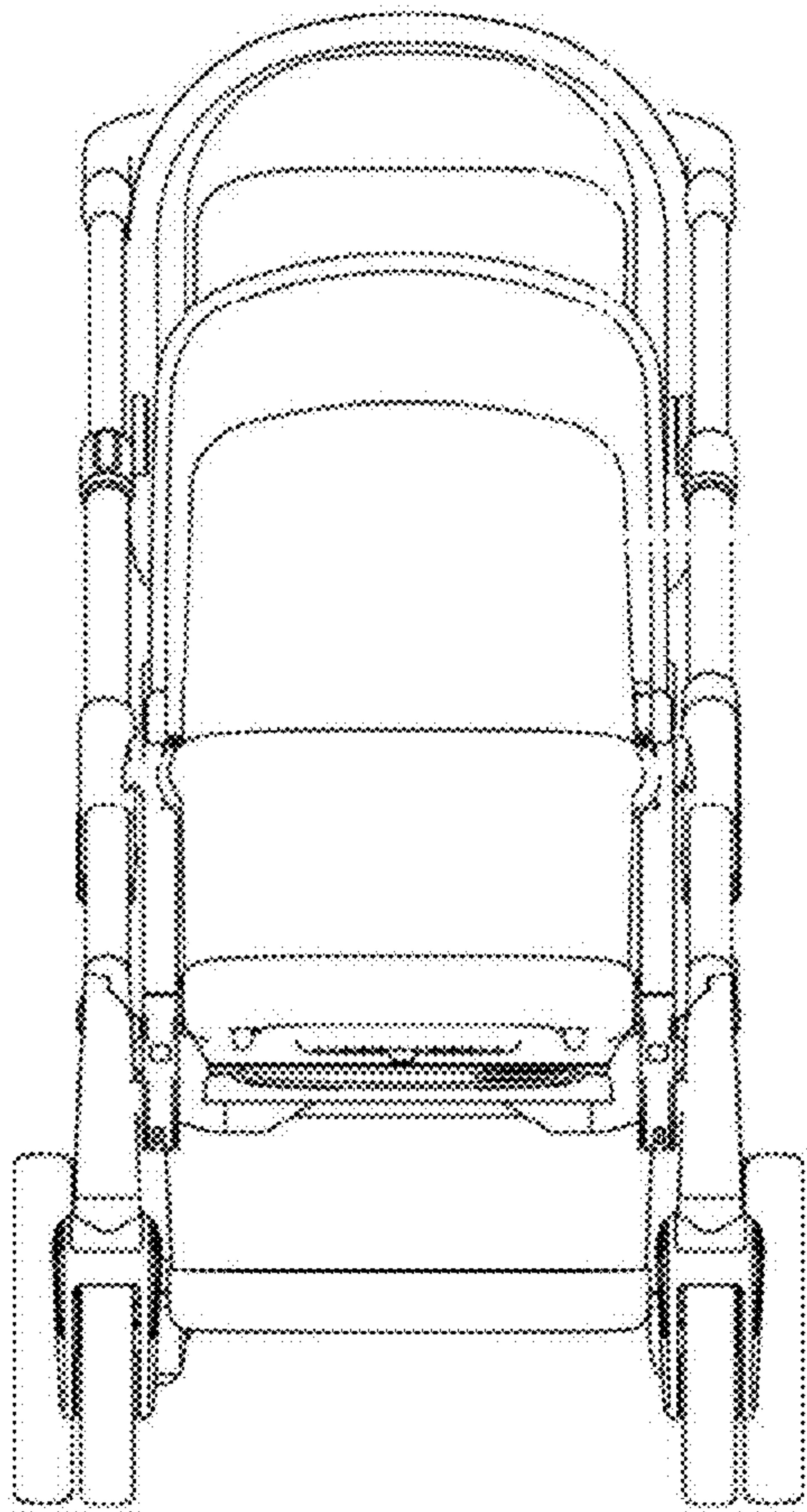


Fig. 11A

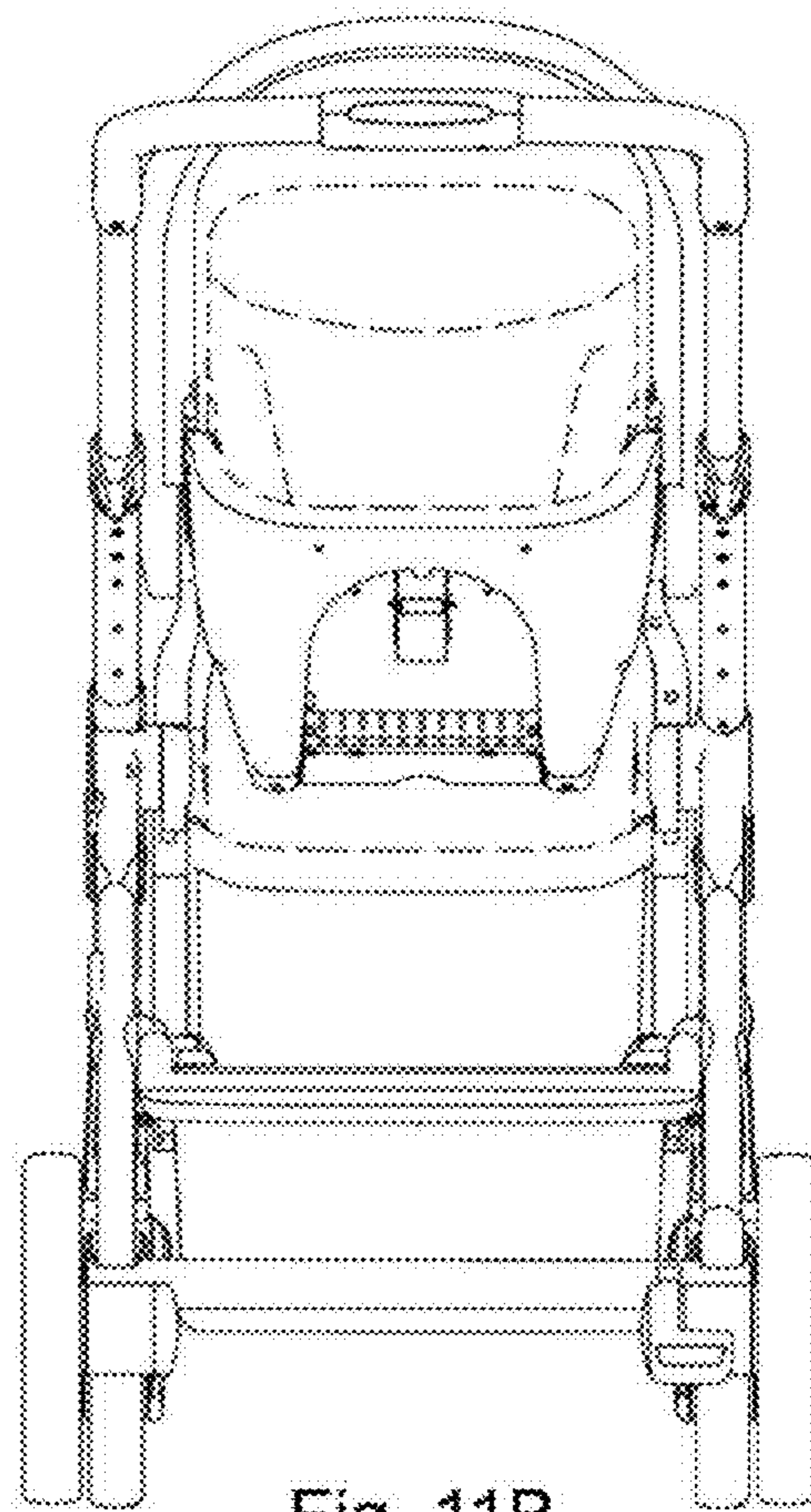


Fig. 11B



Fig. 11C

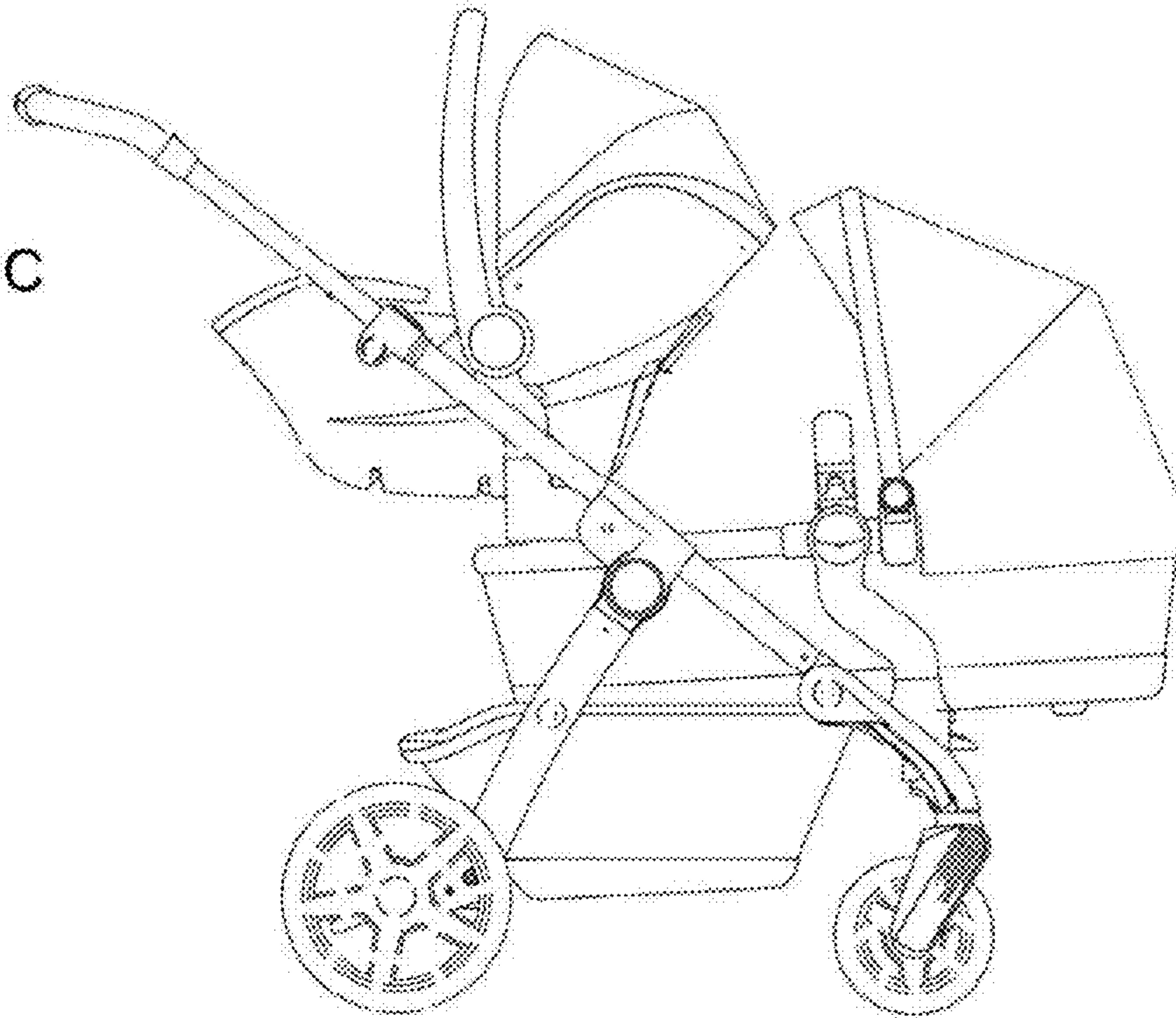
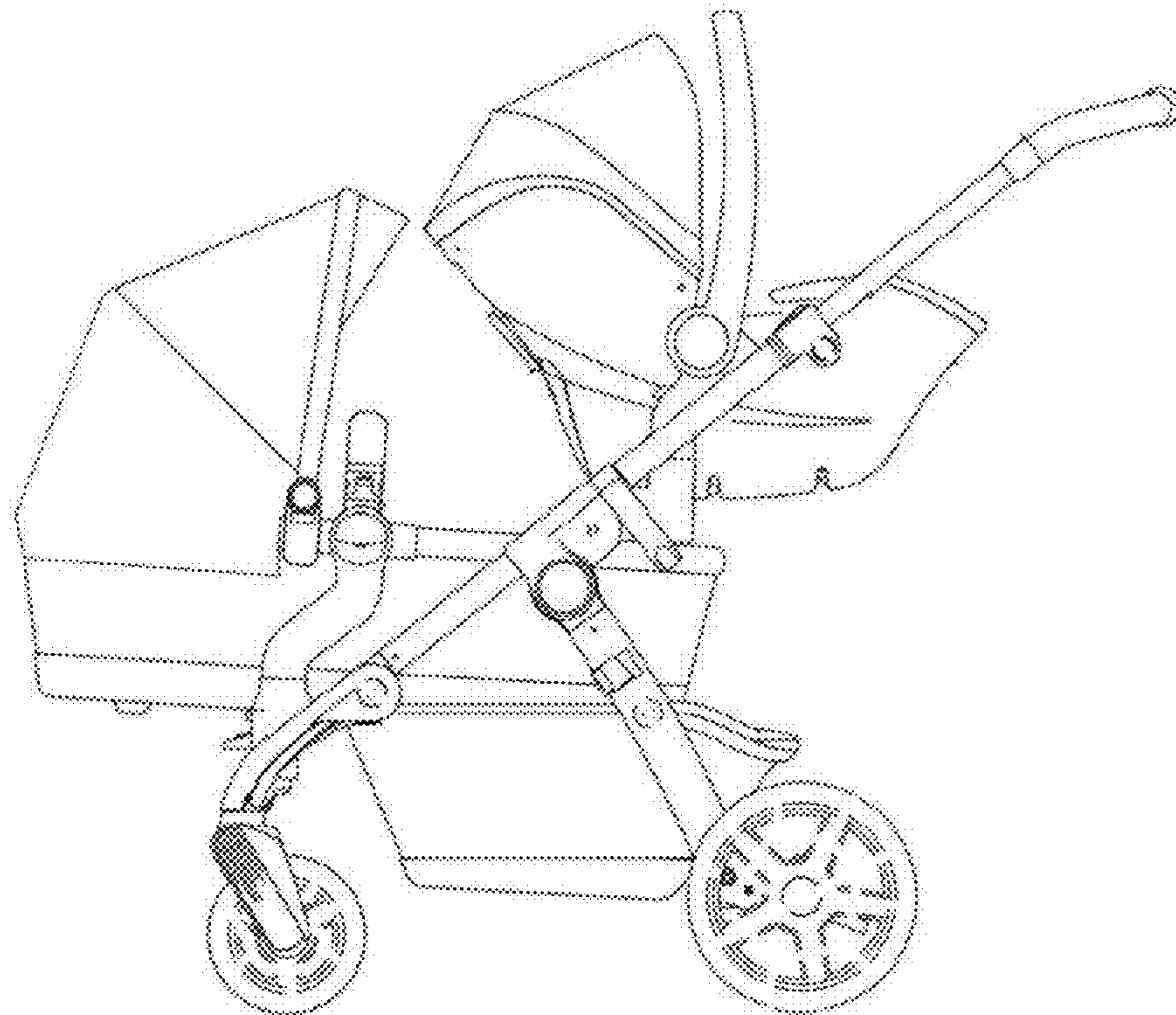


Fig. 11D



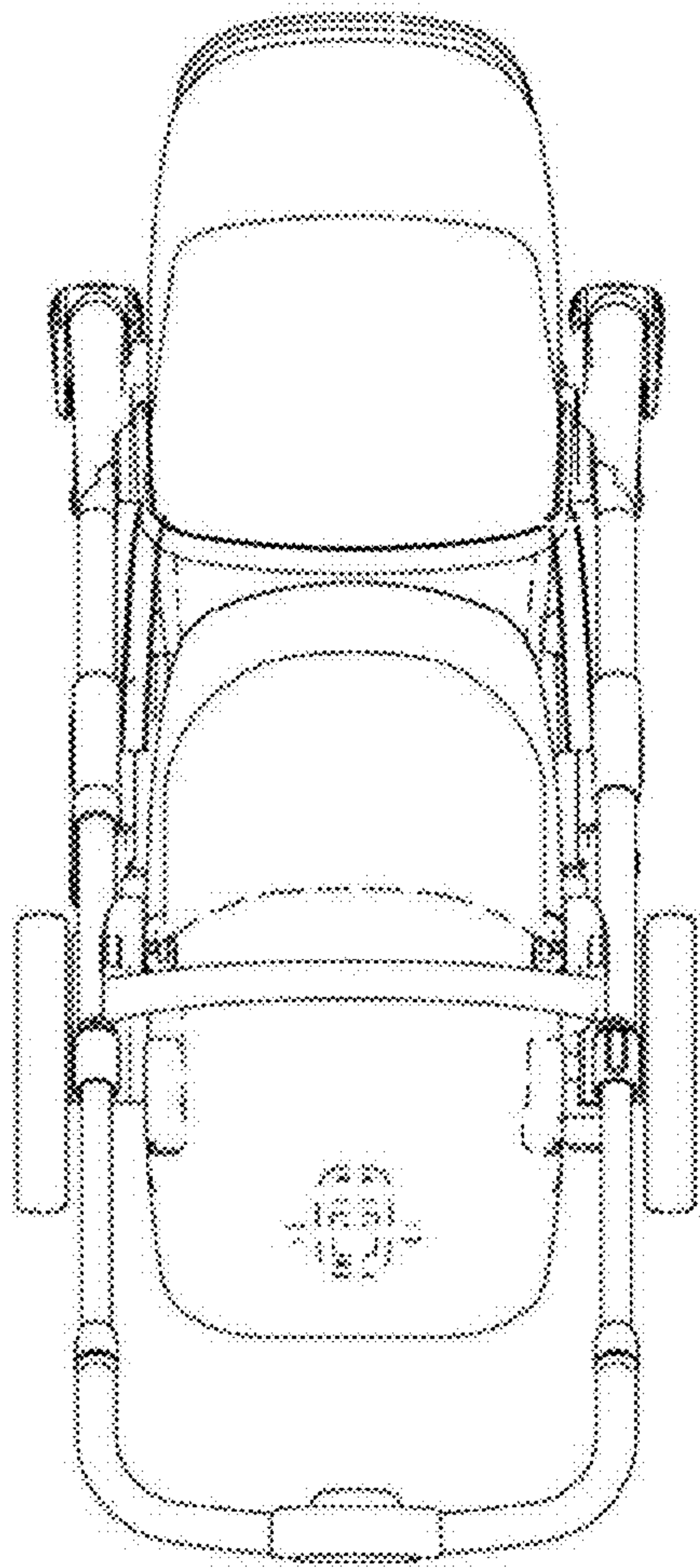


Fig. 11E

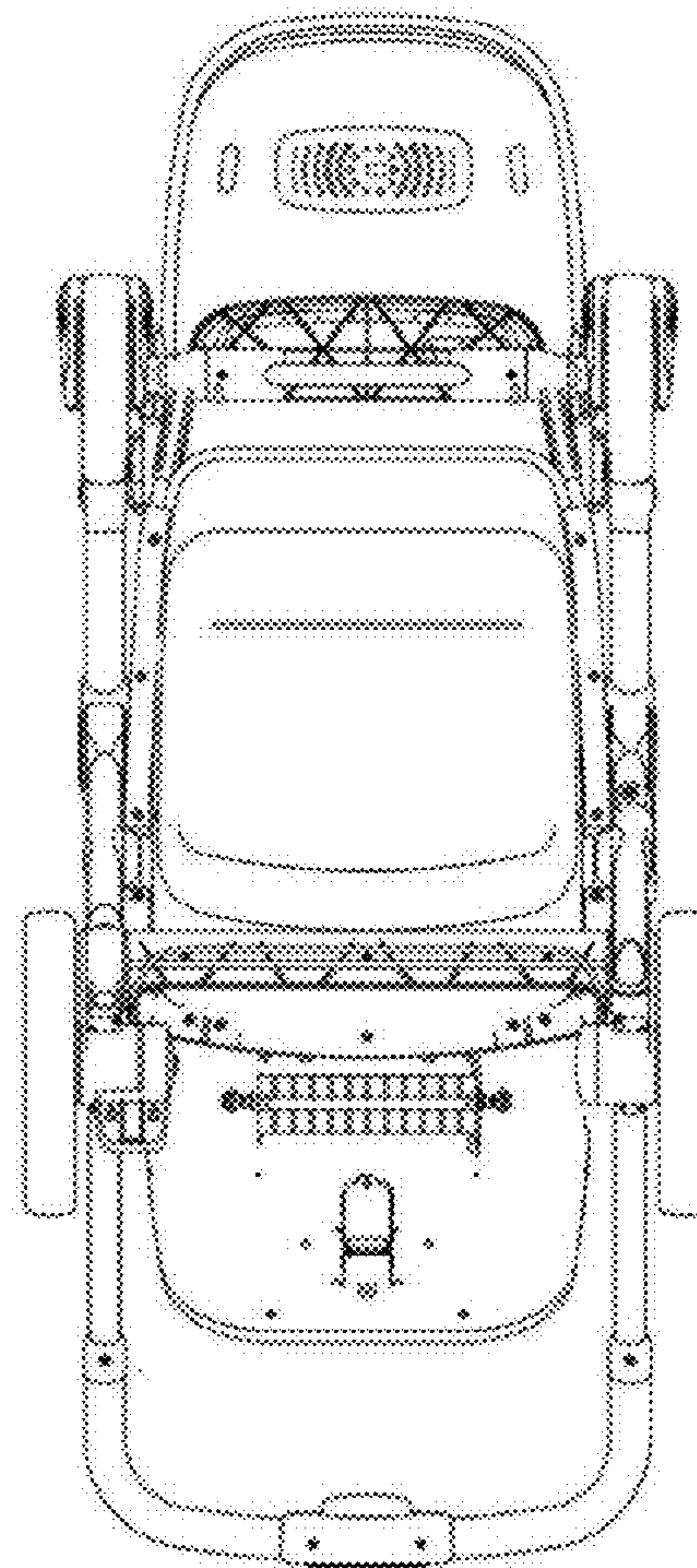


Fig. 11F



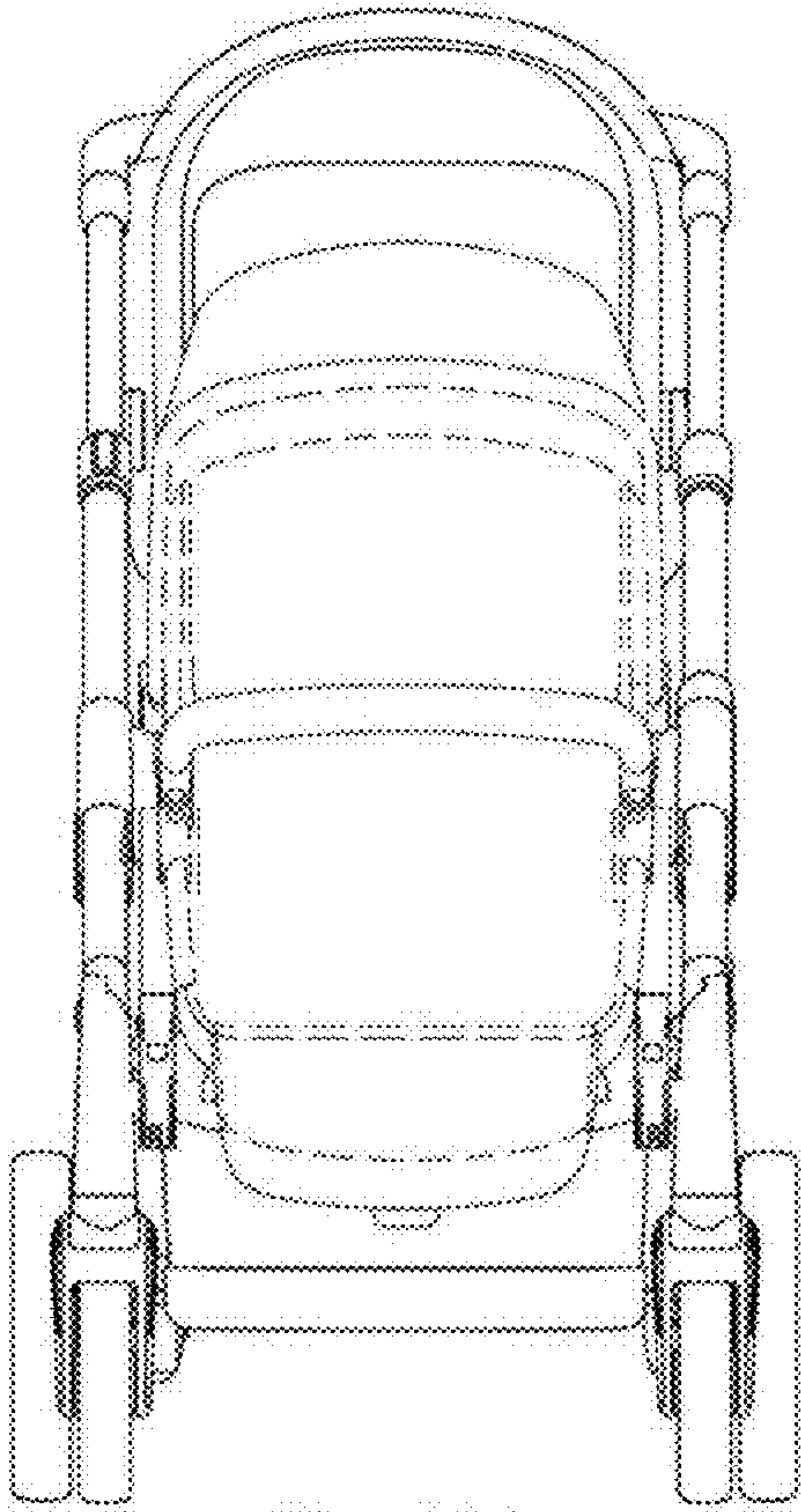


Fig. 12A

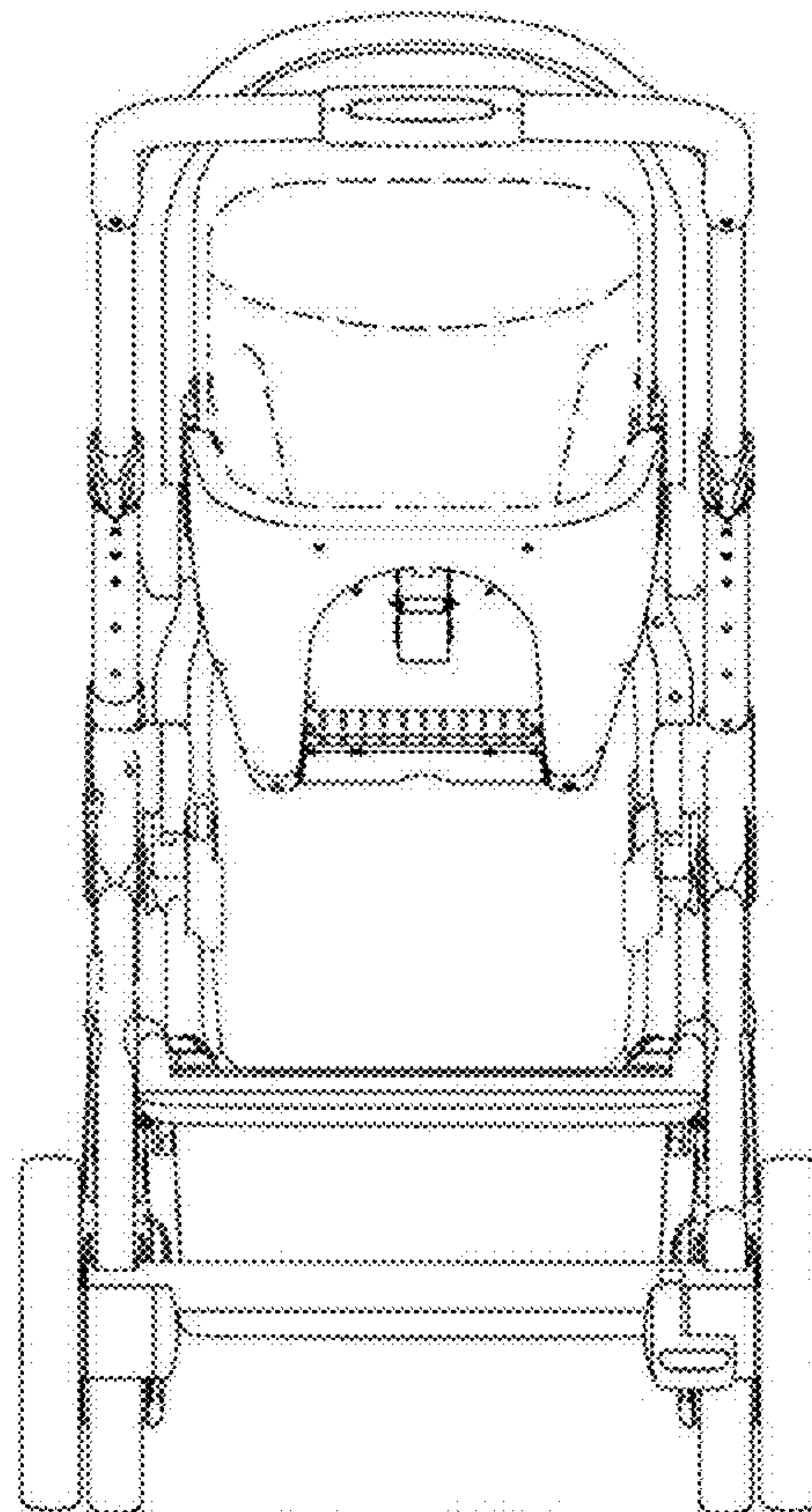


Fig. 12B

Fig. 12C

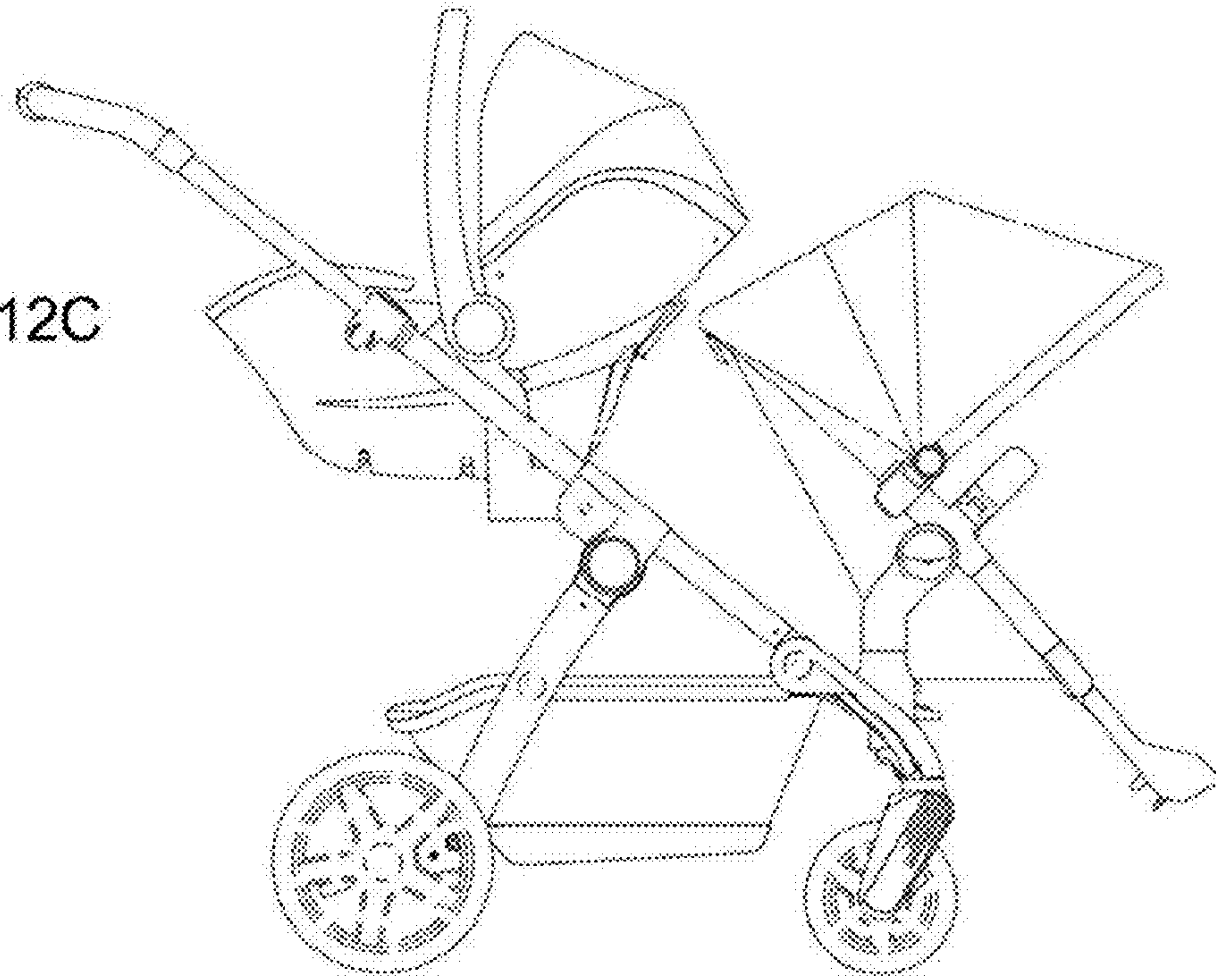
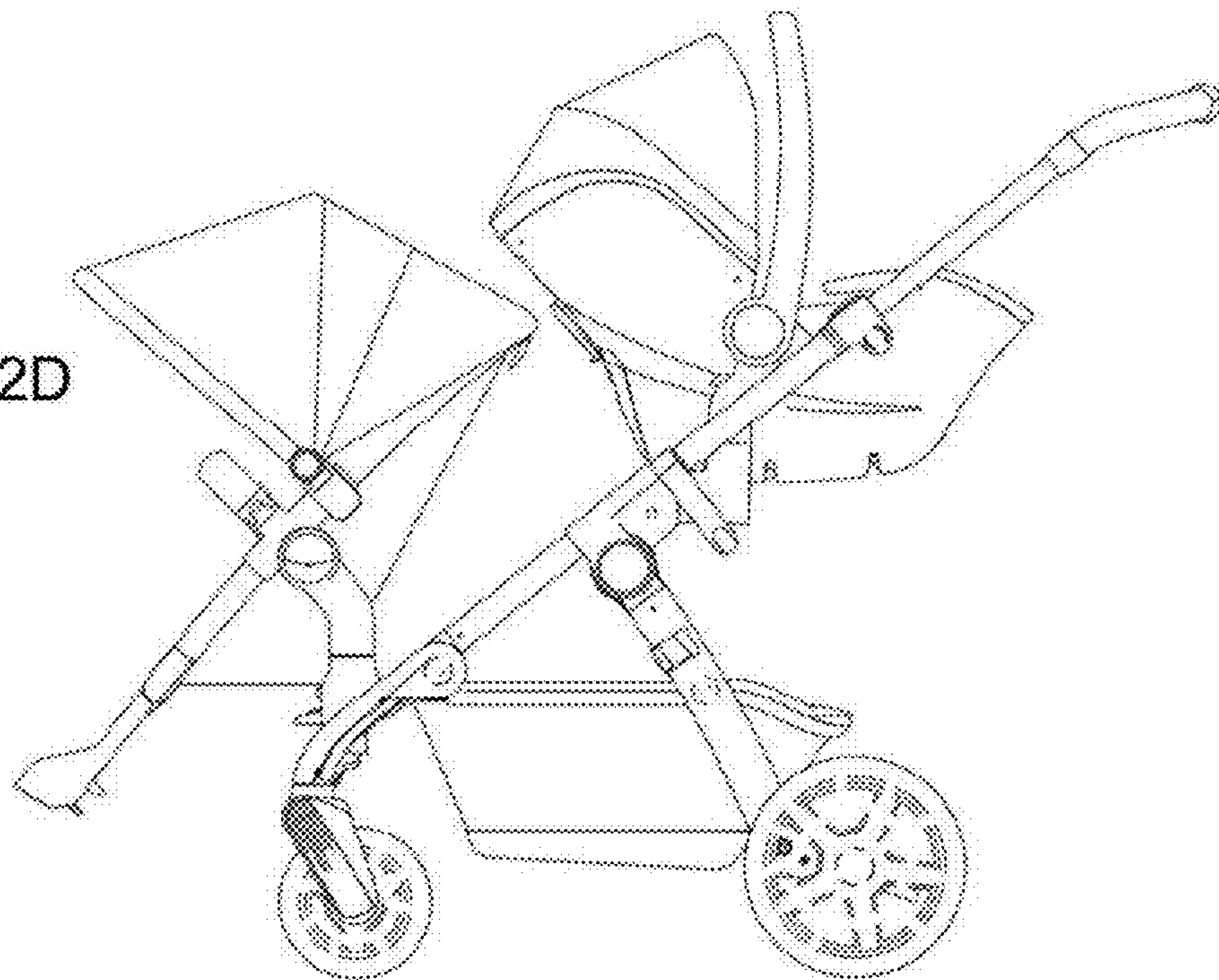


Fig. 12D





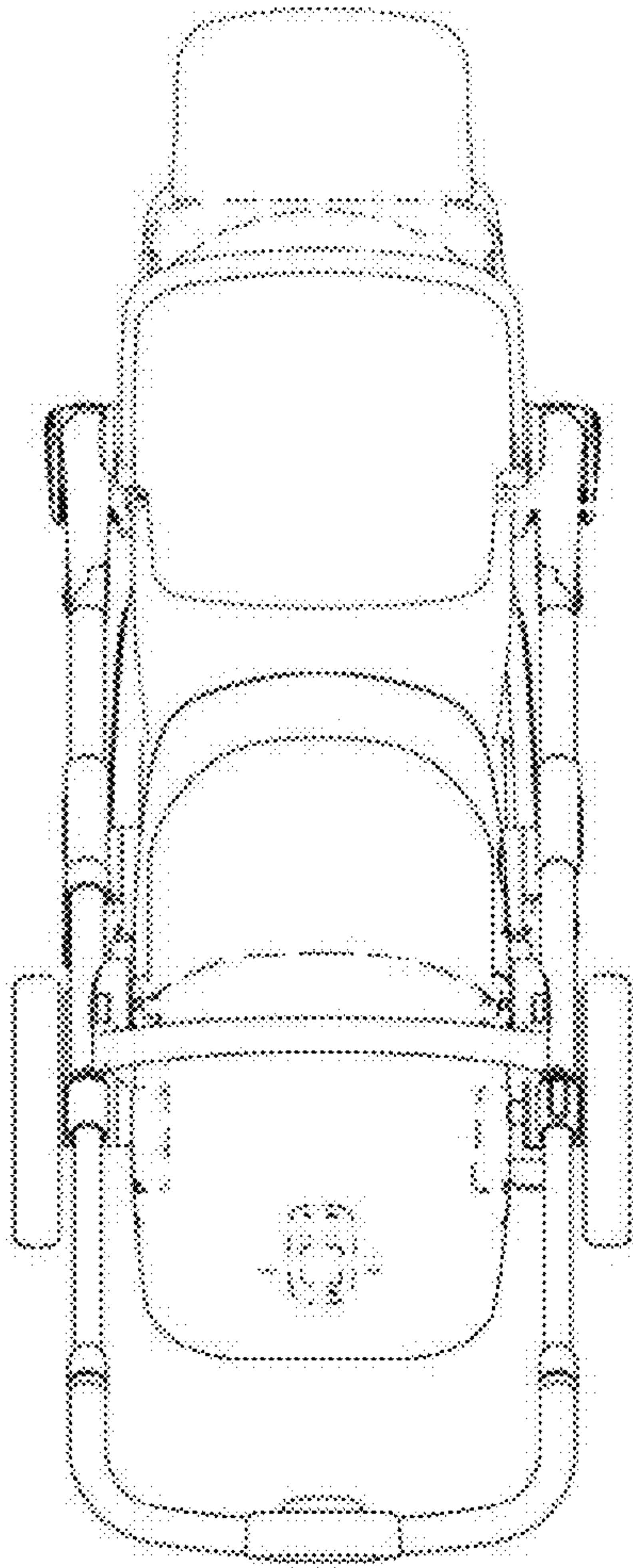


Fig. 12E

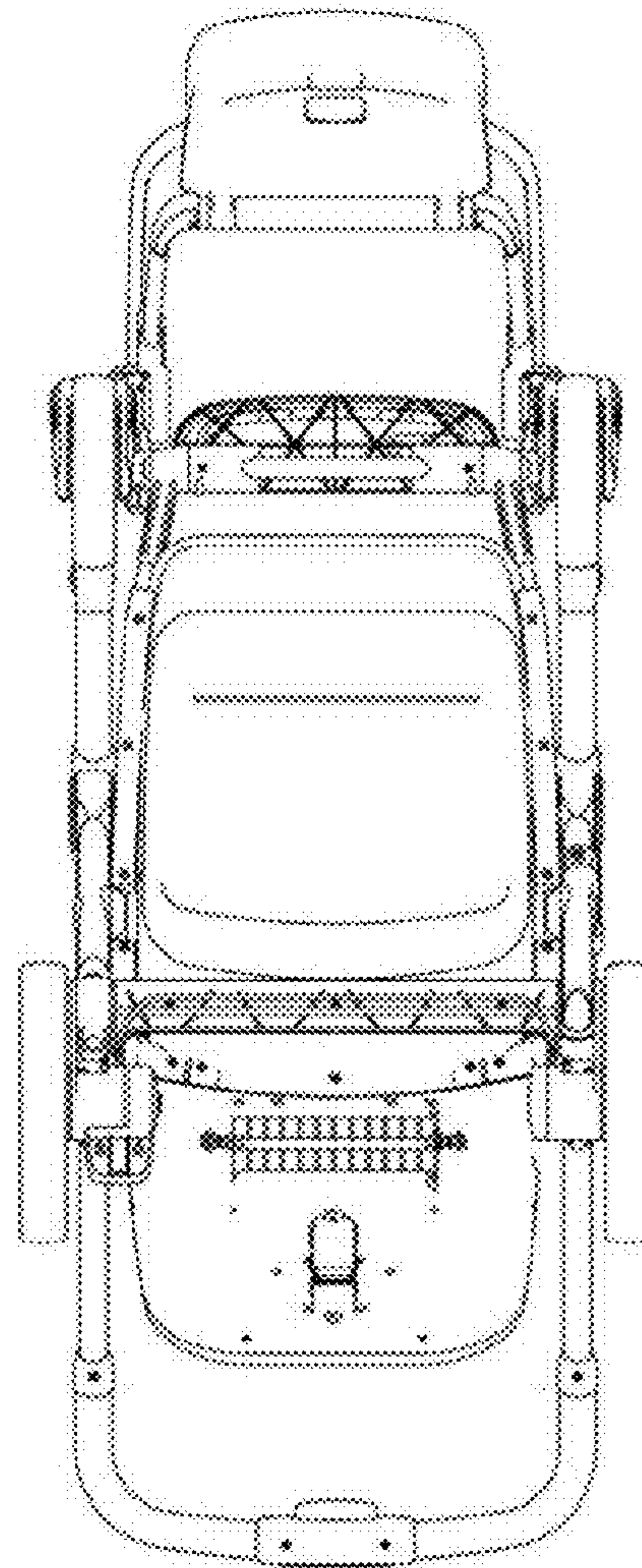


Fig. 12F

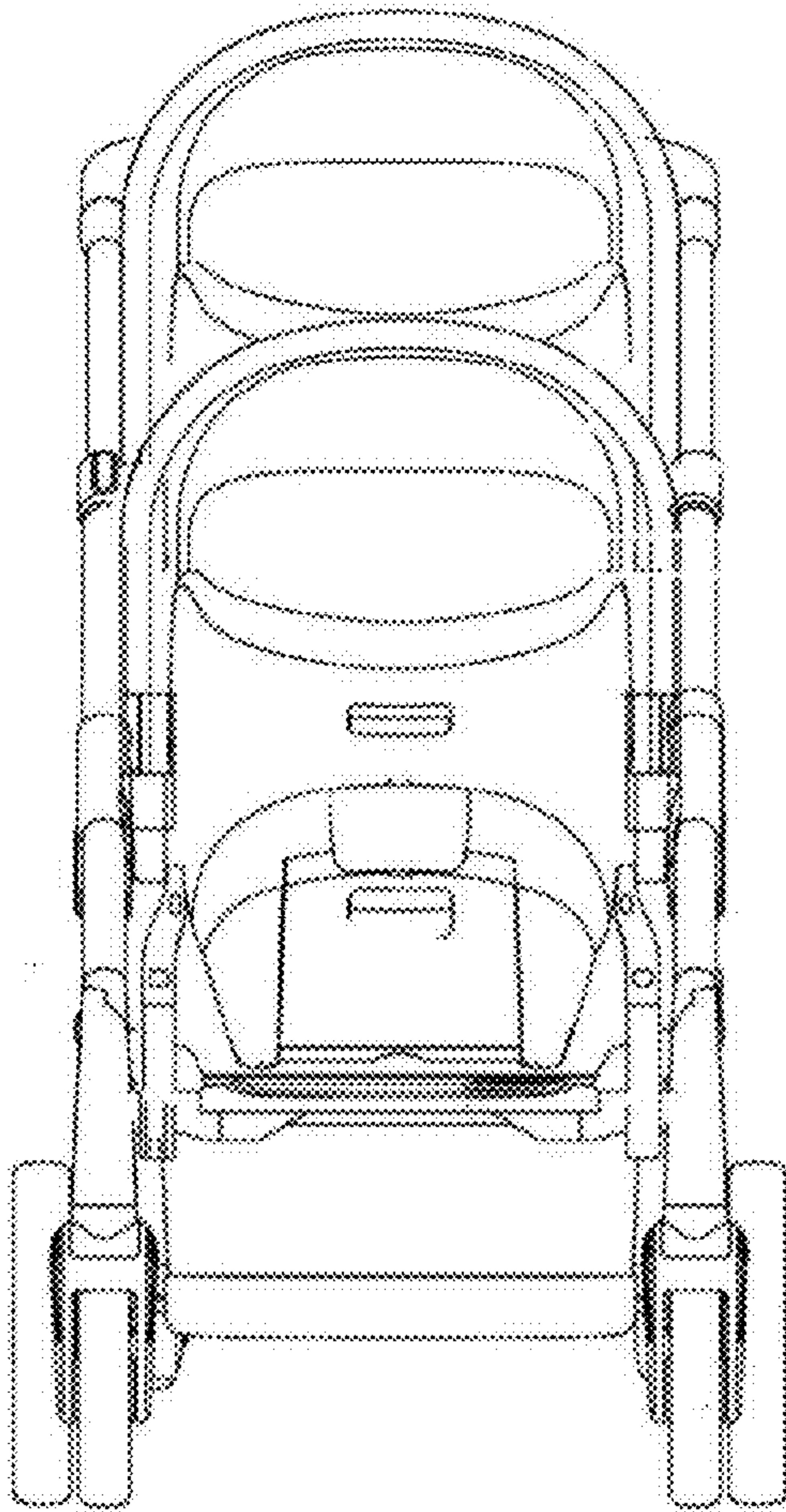


Fig. 13A

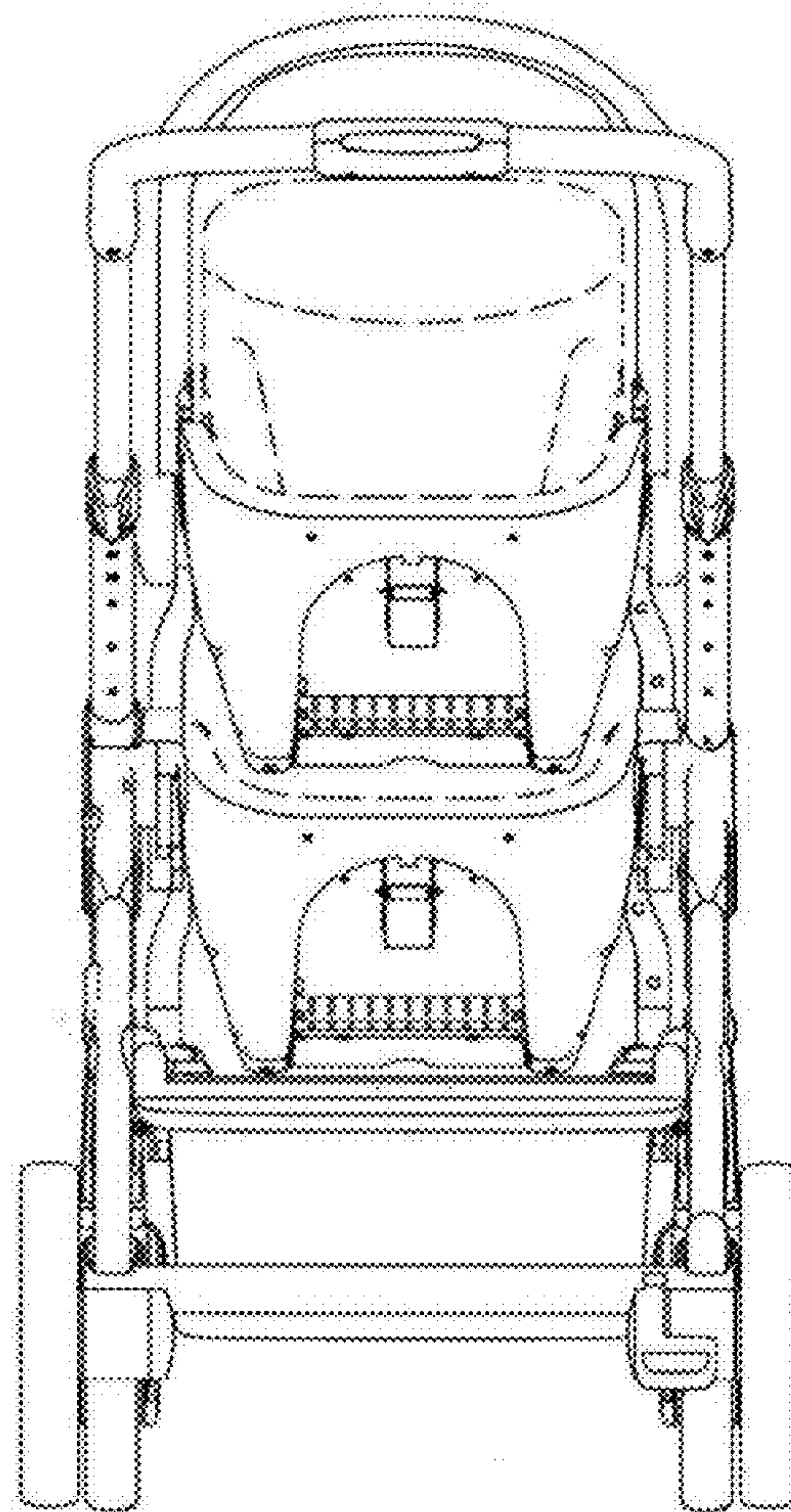


Fig. 13B



Fig. 13C

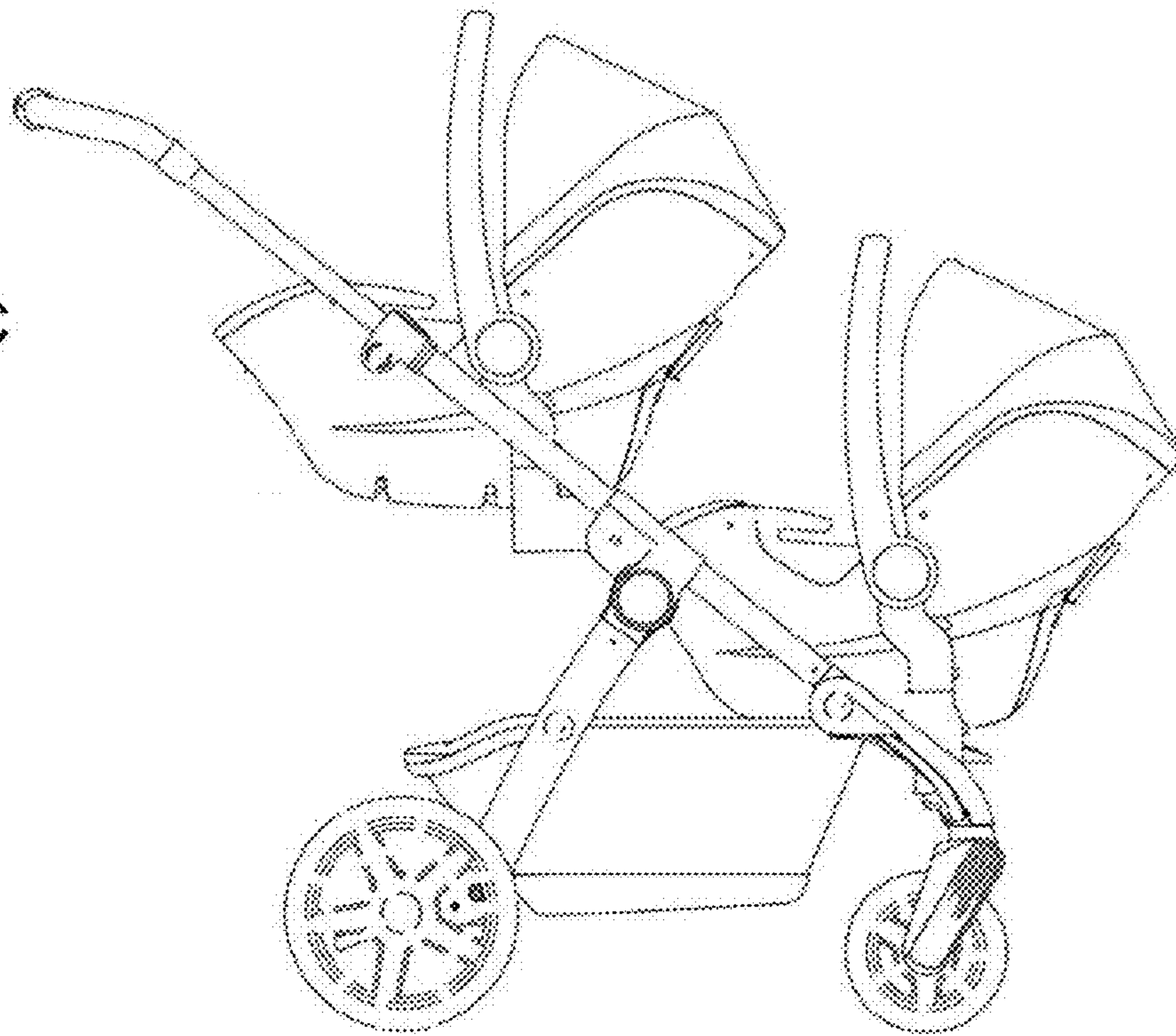
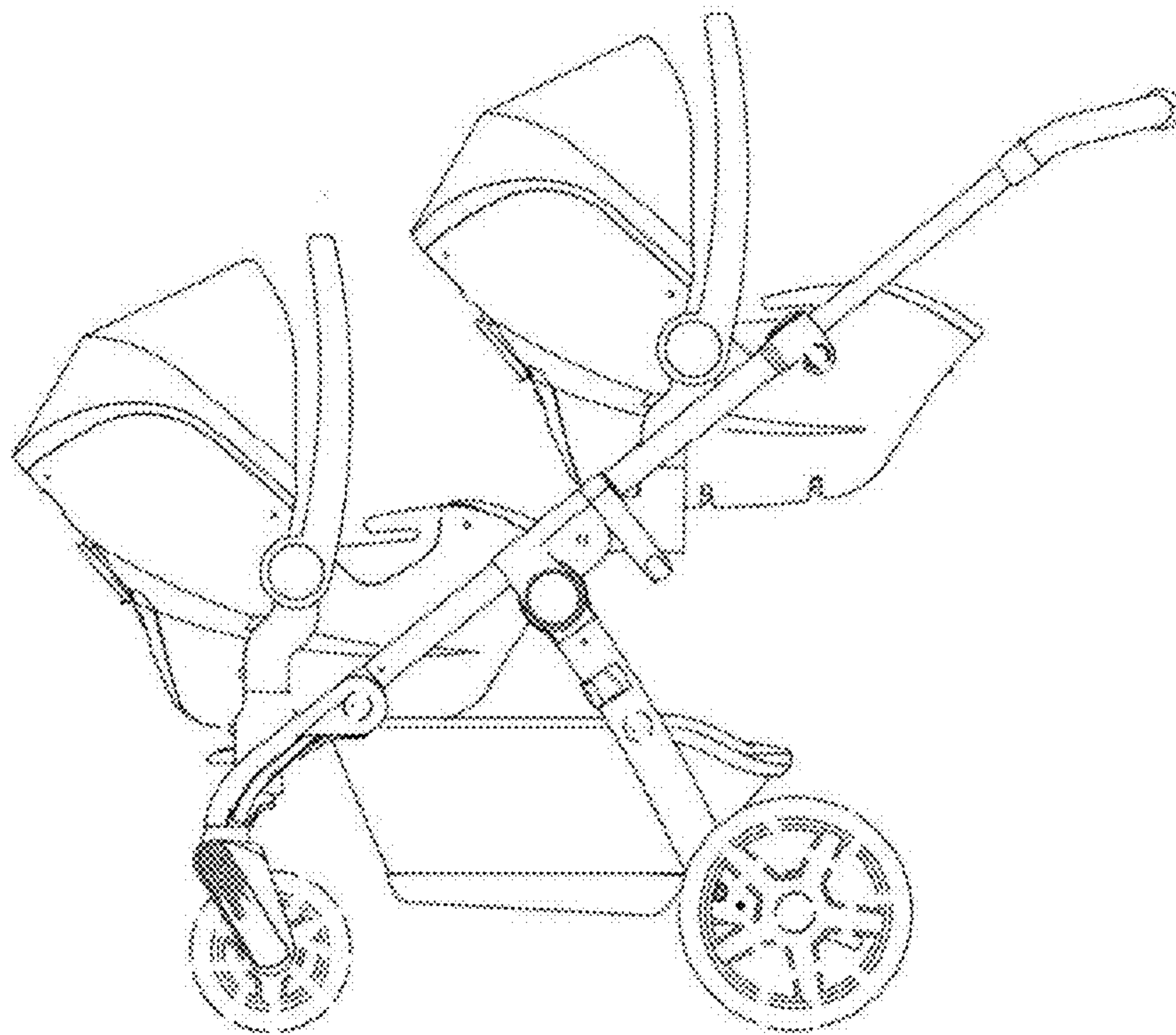


Fig. 13D



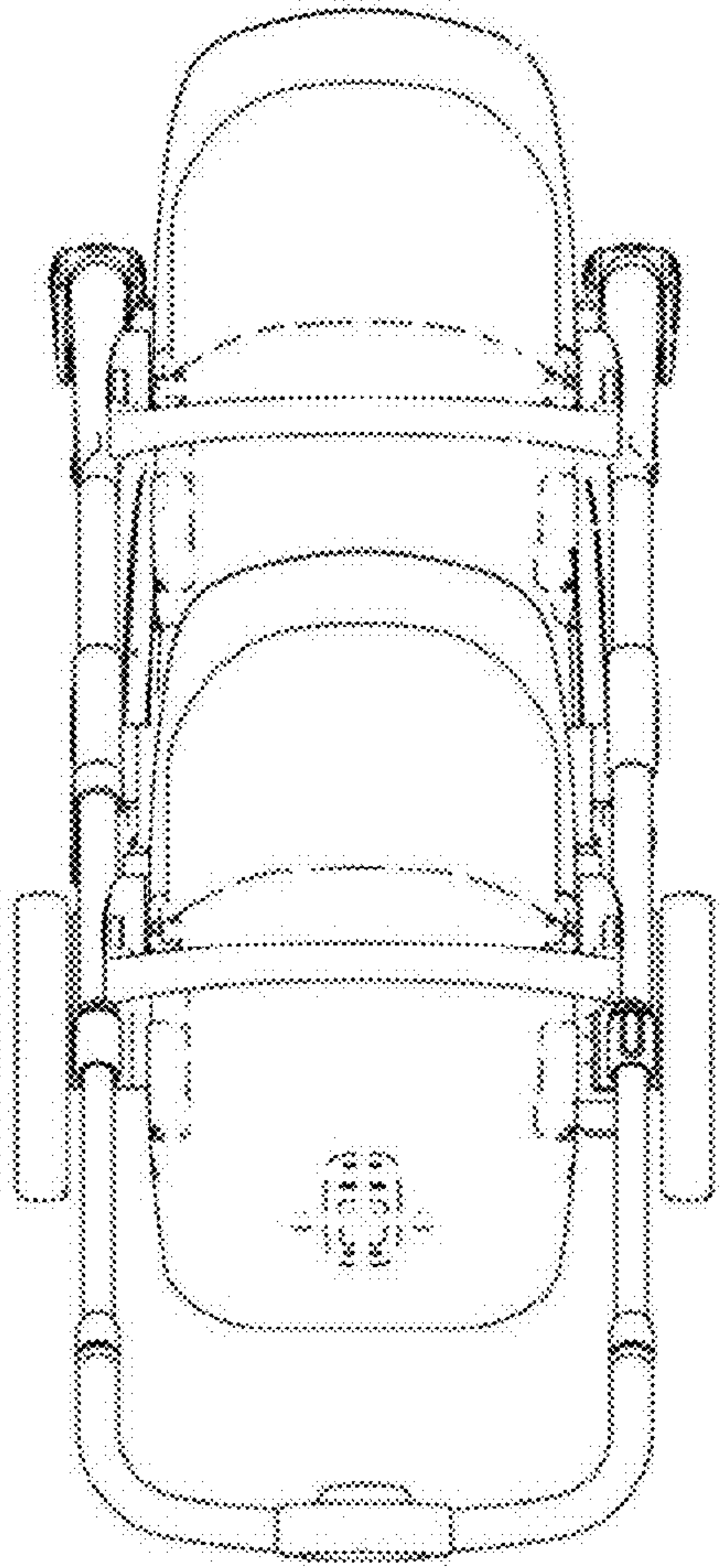


Fig. 13E

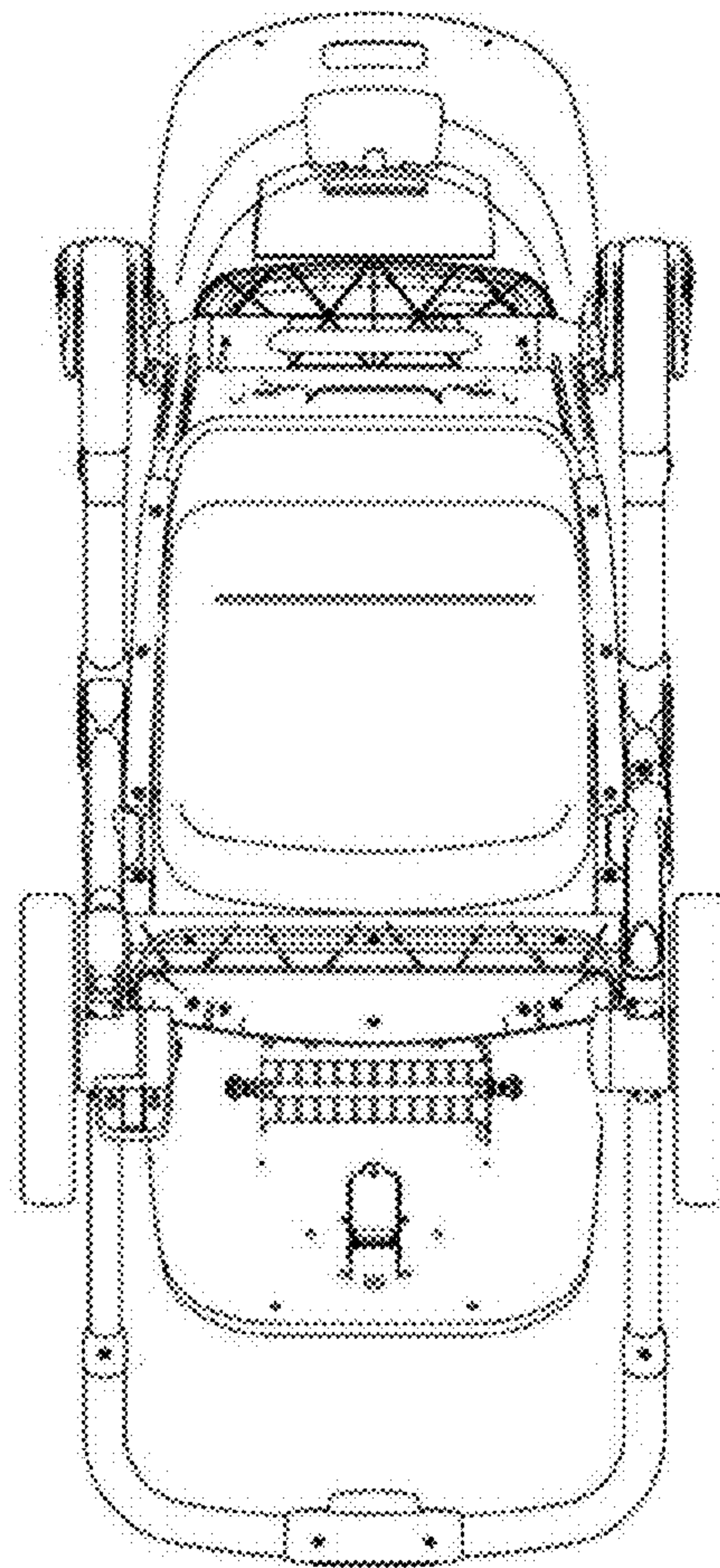


Fig. 13F



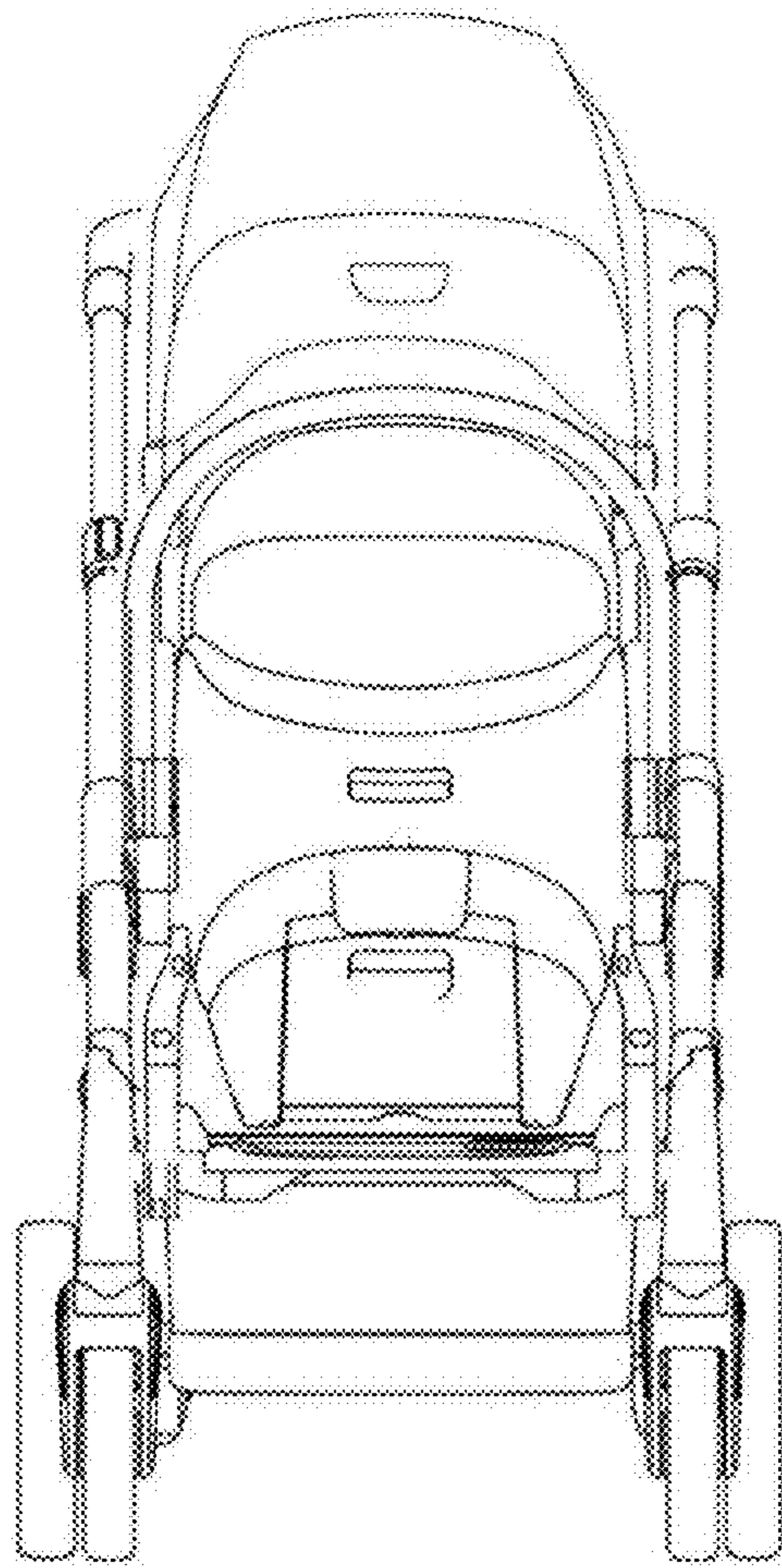


Fig. 14A

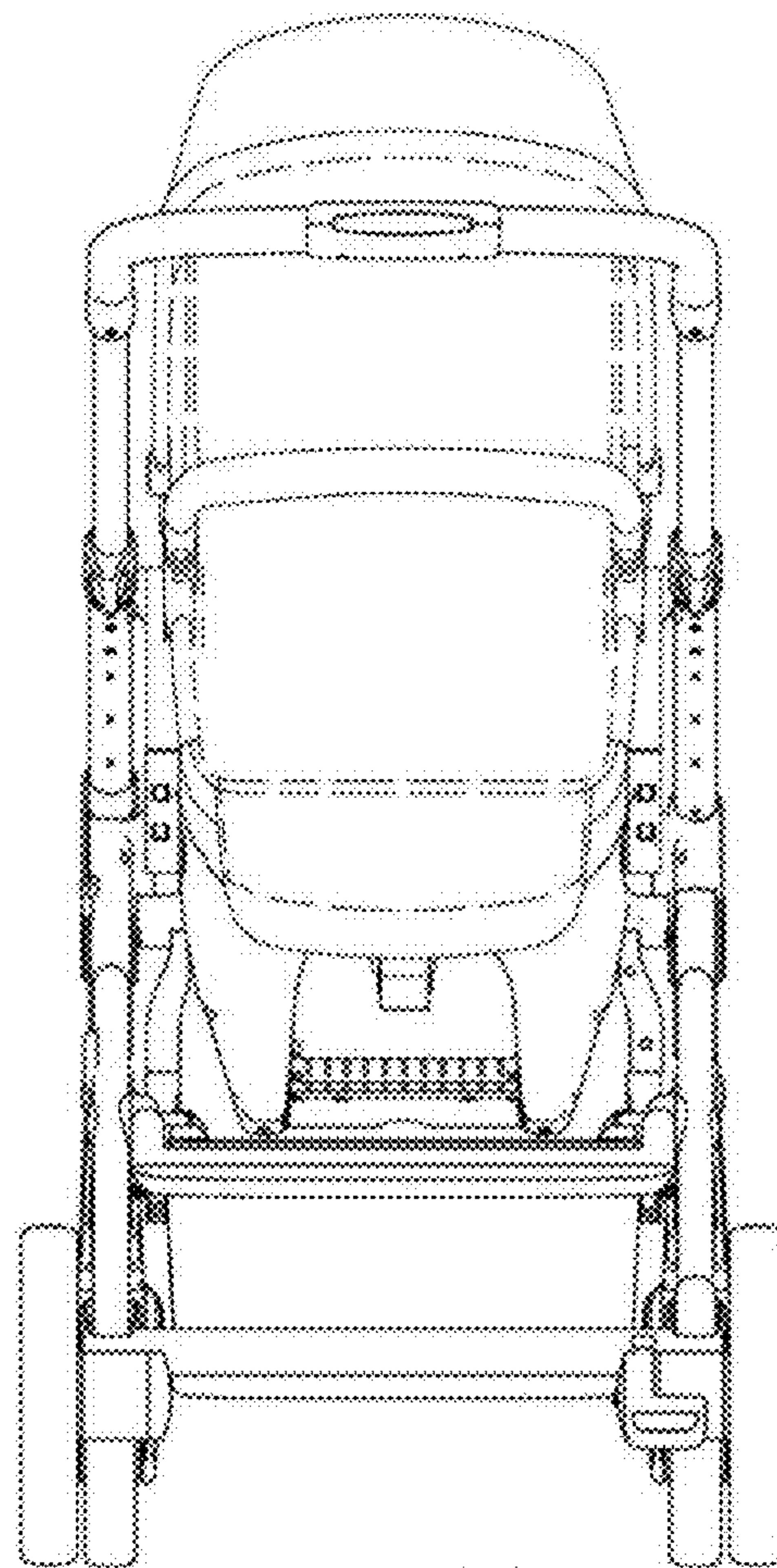


Fig. 14B

Fig. 14C

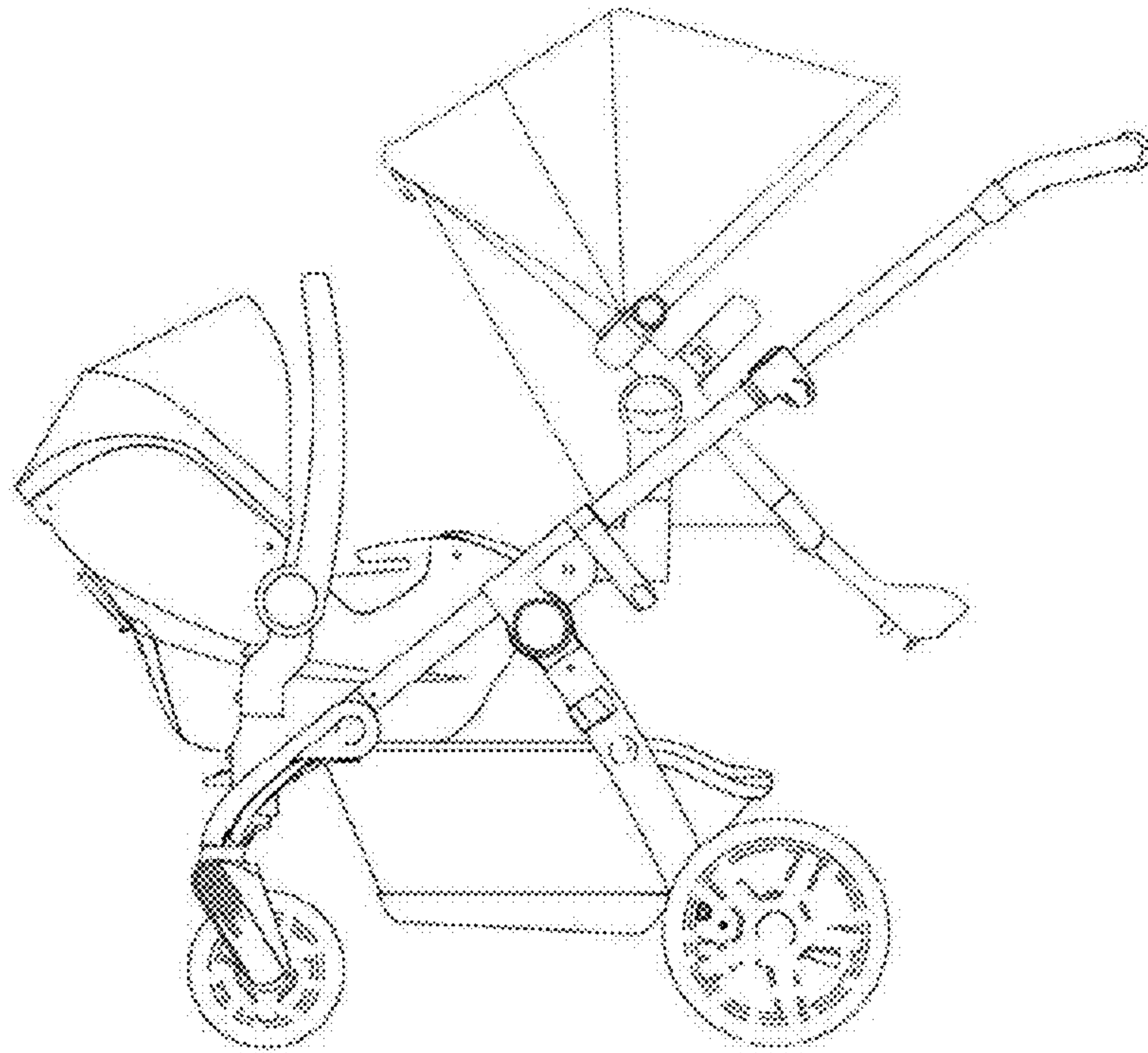
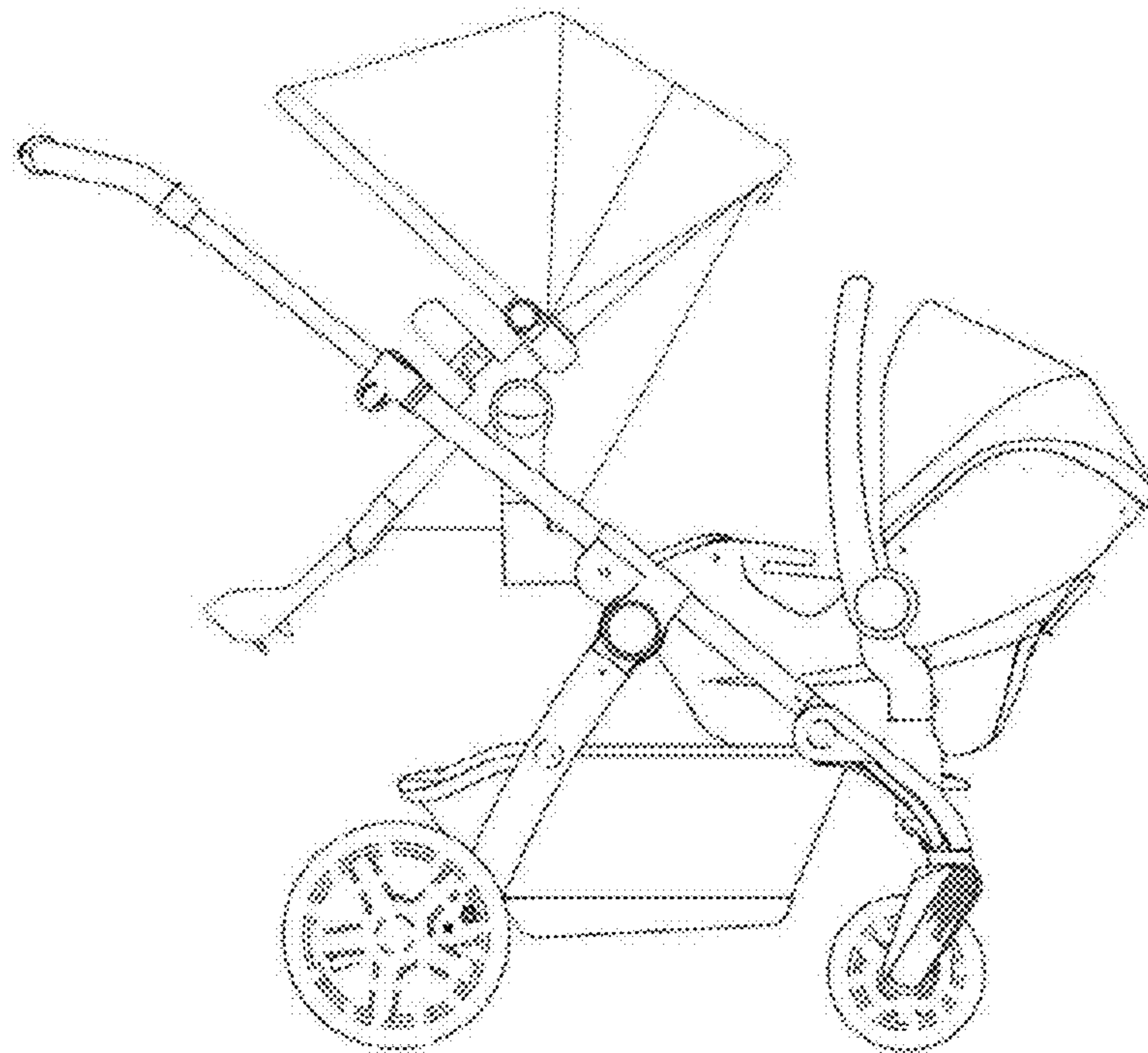


Fig. 14D





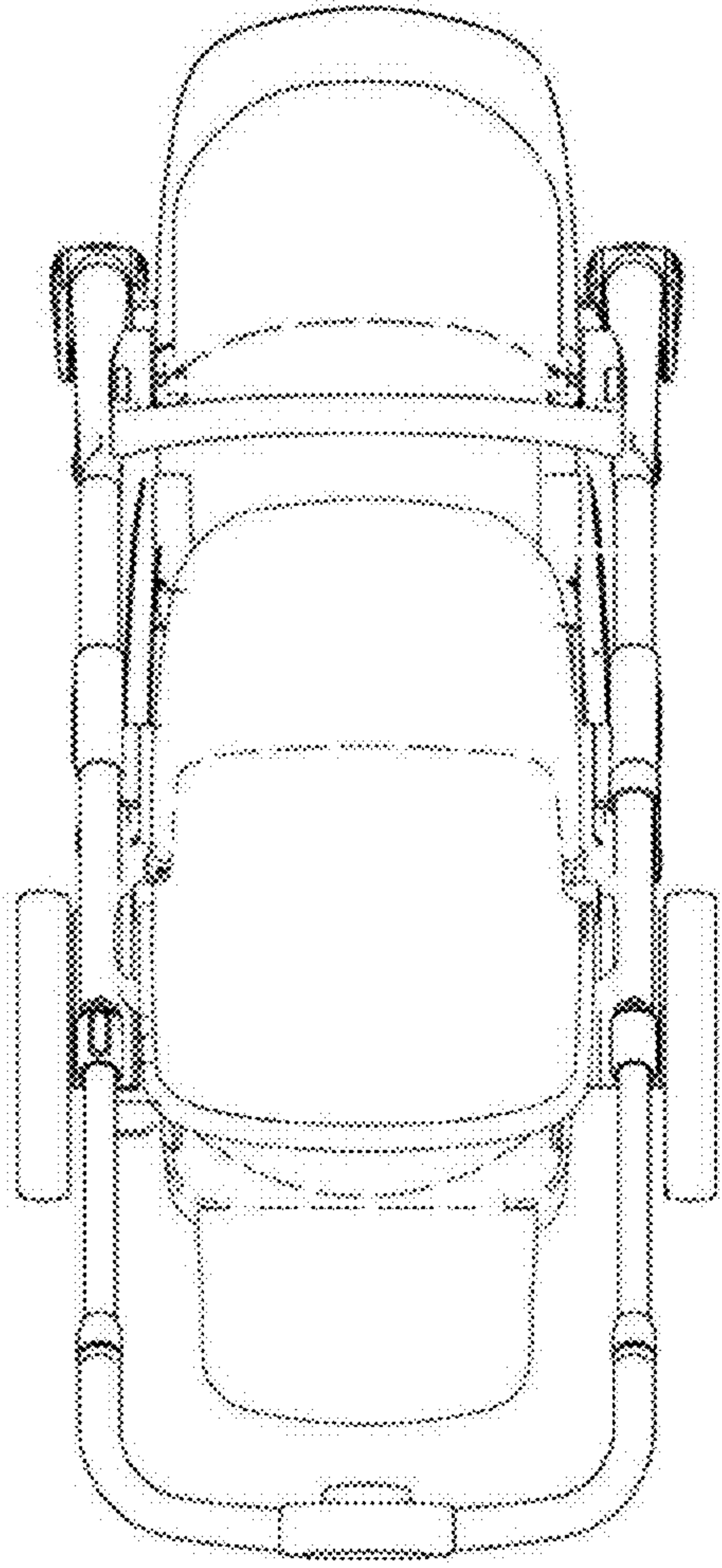


Fig. 14E

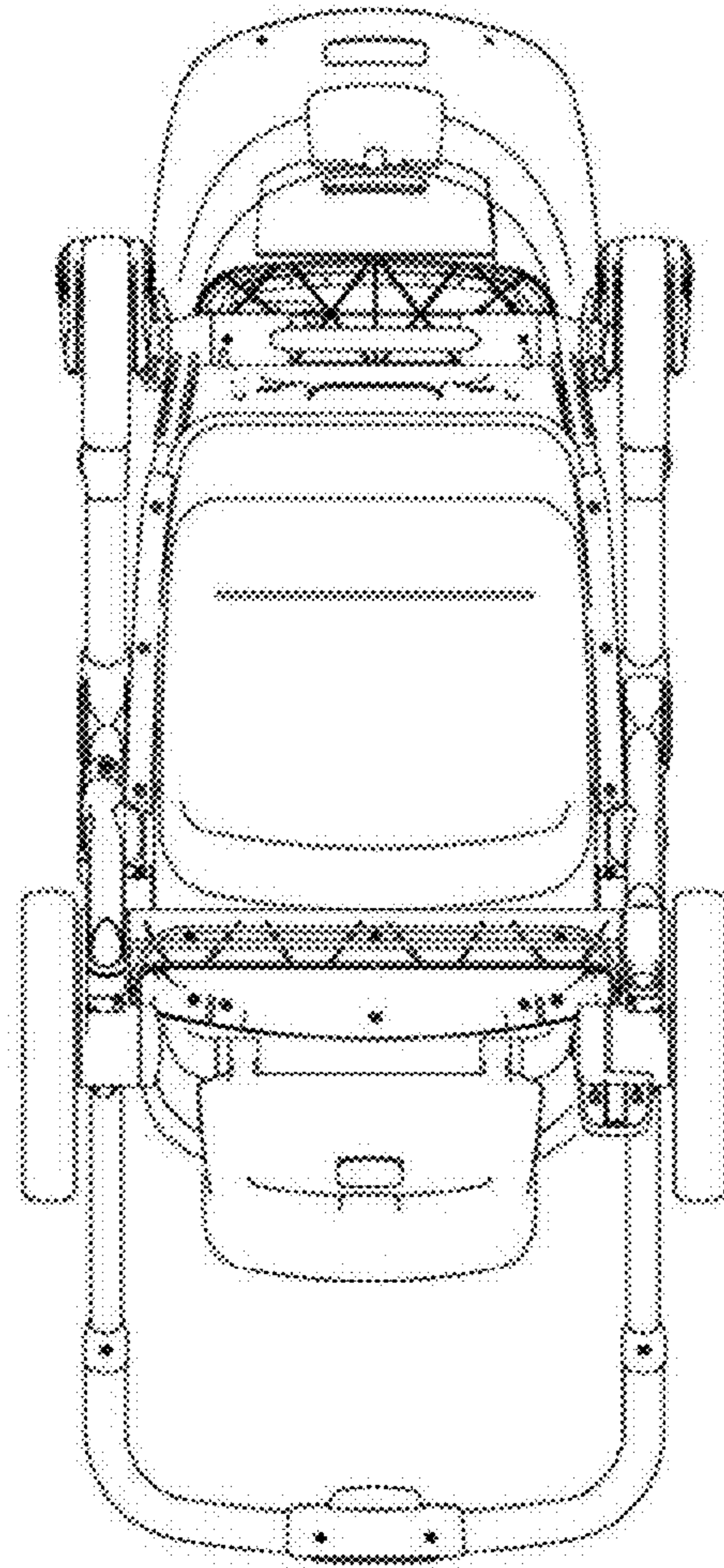


Fig. 14F

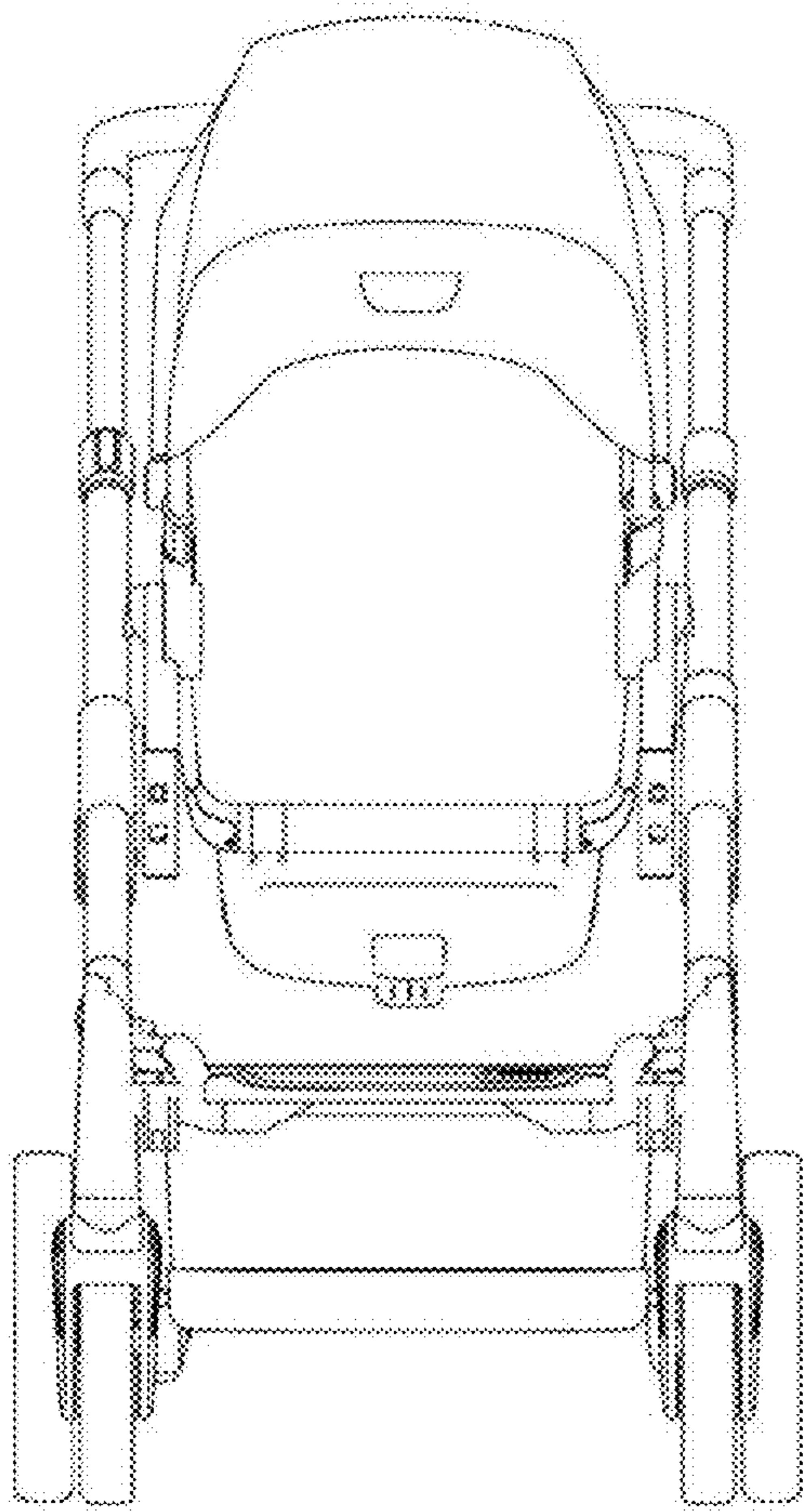


Fig. 15A

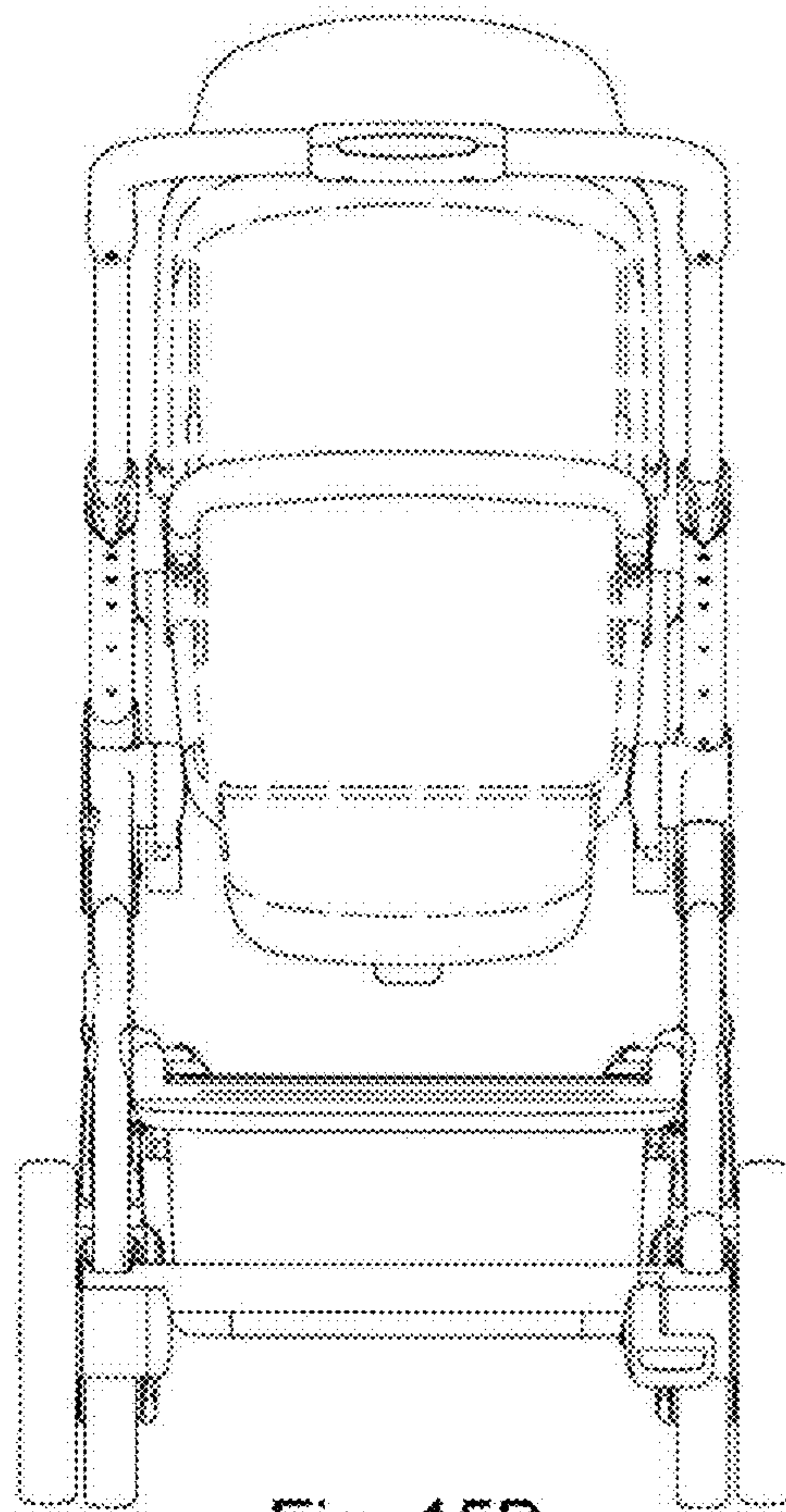


Fig. 15B



Fig. 15C

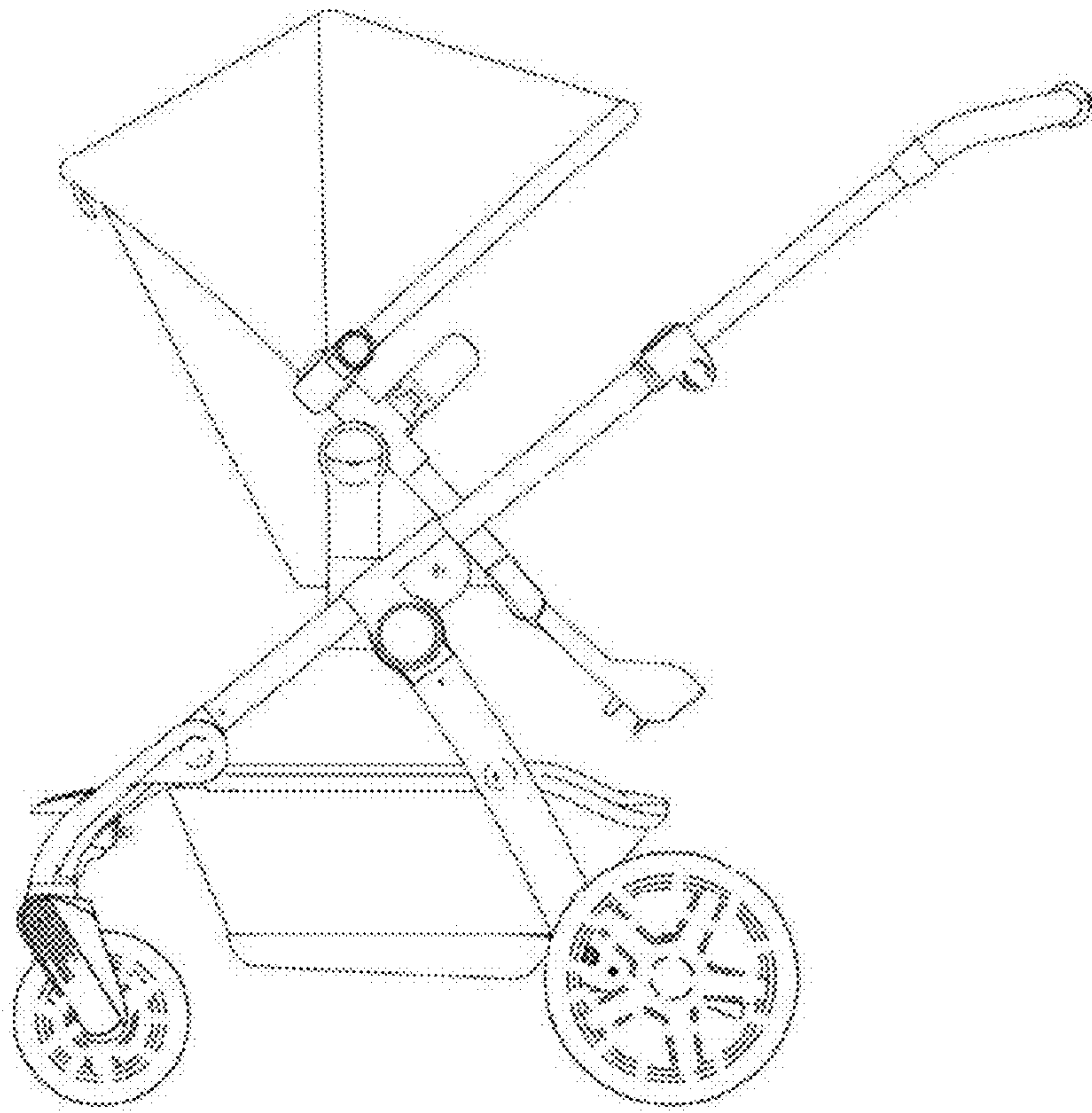
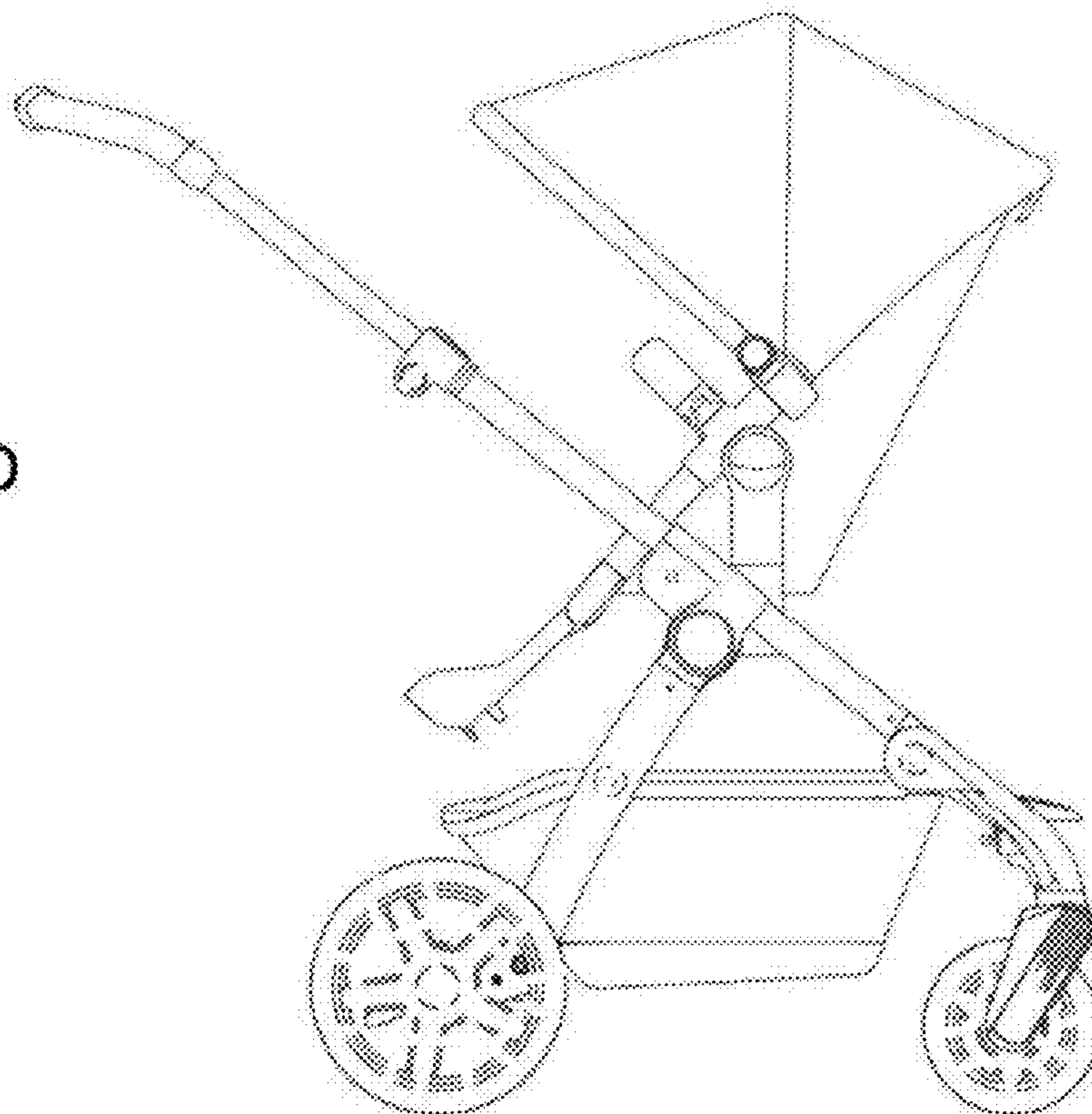


Fig. 15D



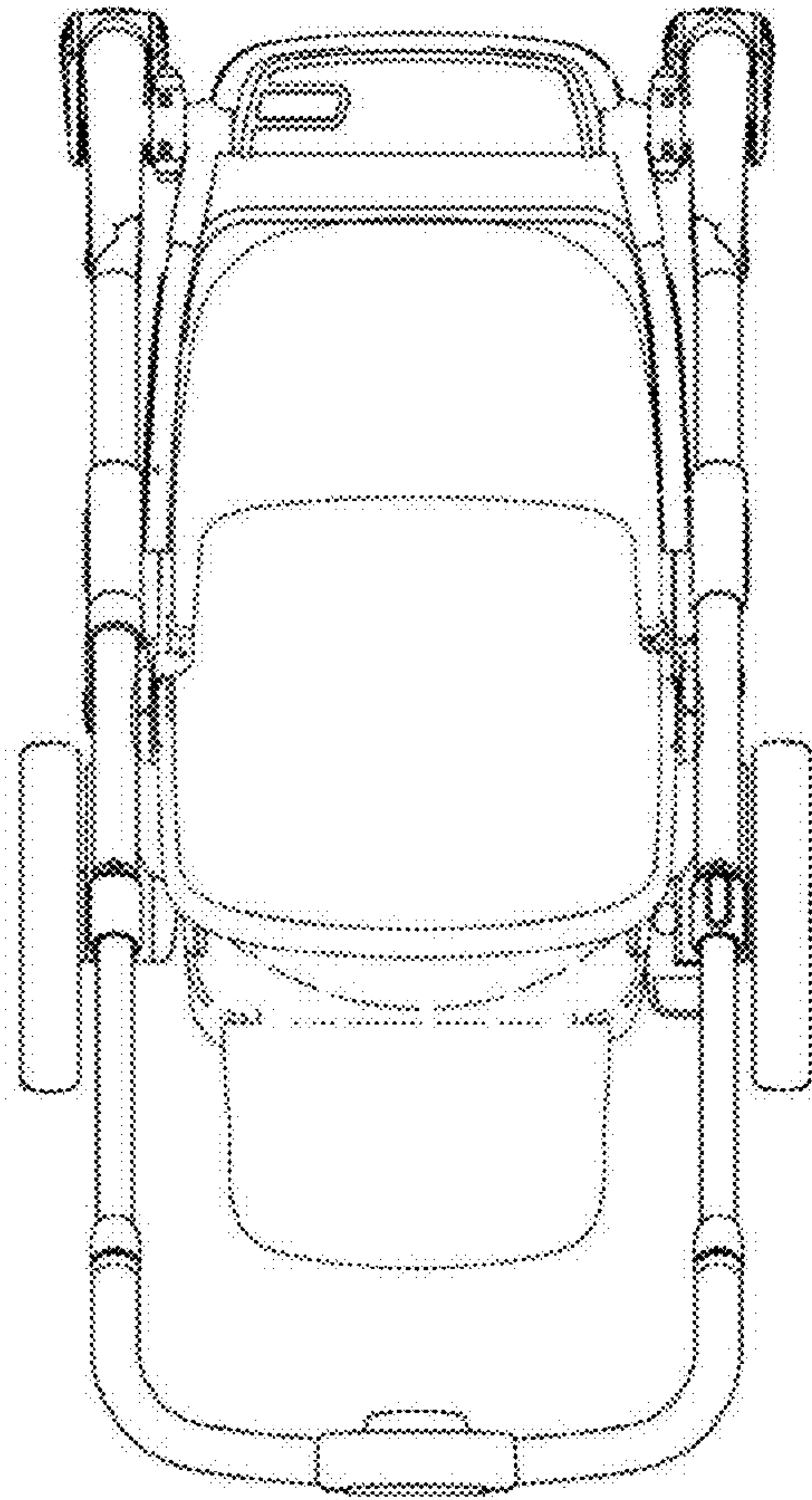


Fig. 15E

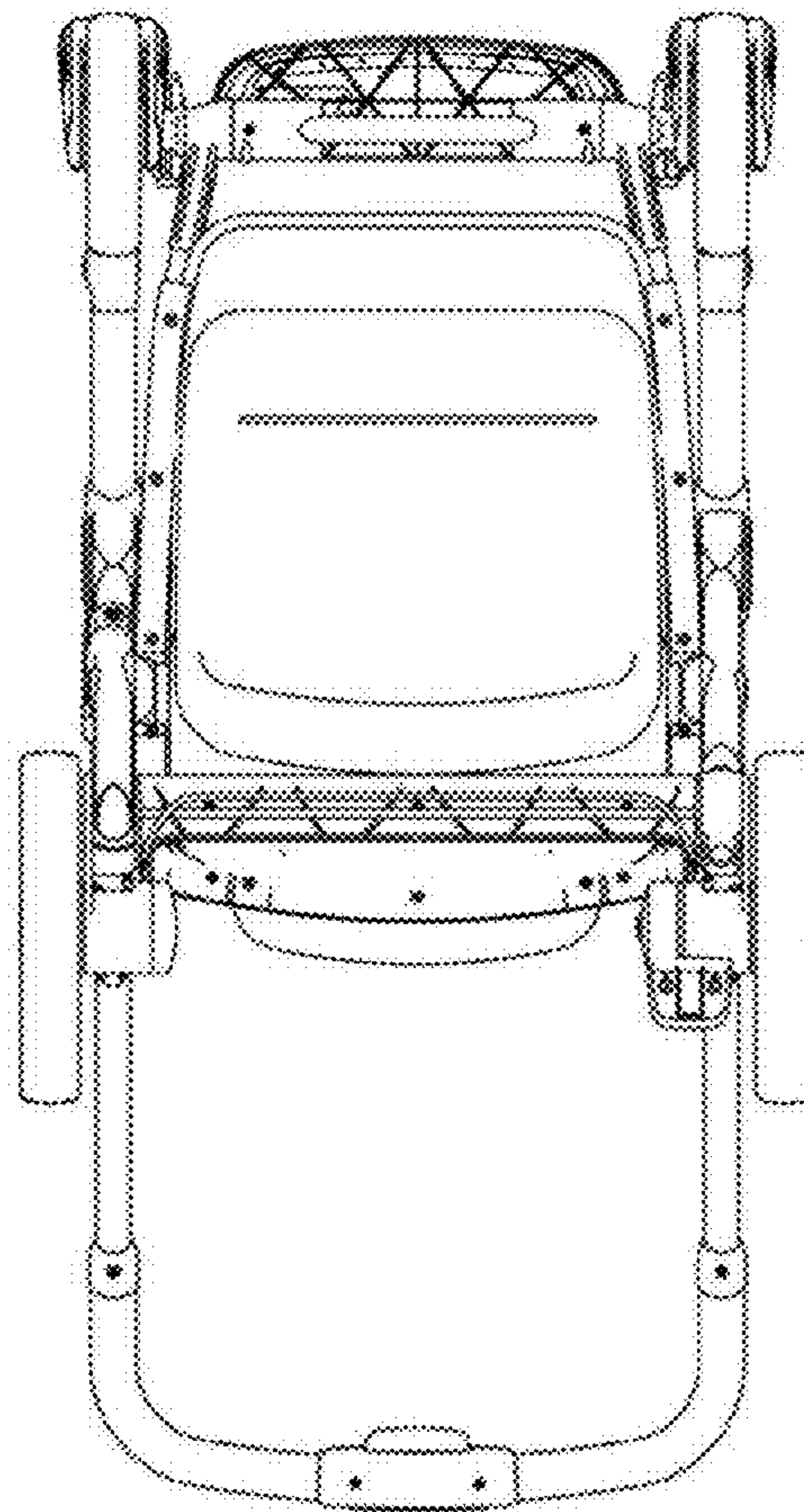


Fig. 15F