



US00D869341S

(12) **United States Design Patent** (10) **Patent No.:** **US D869,341 S**
James (45) **Date of Patent:** **** Dec. 10, 2019**

(54) **BICYCLE FRAME**
 (71) Applicant: **Clyde James**, Azle, TX (US)
 (72) Inventor: **Clyde James**, Azle, TX (US)
 (73) Assignees: **Clyde James**, Haltom City, TX (US);
Douglas Gipson, Dallas, TX (US)
 (**) Term: **15 Years**
 (21) Appl. No.: **29/641,343**
 (22) Filed: **Mar. 21, 2018**
 (51) **LOC (12) Cl.** **12-11**
 (52) **U.S. Cl.**
 USPC **D12/111**
 (58) **Field of Classification Search**
 USPC D12/111, 117; D21/412, 414, 419,
 D21/423-428, 431-435
 CPC B62K 3/00; B62K 3/02; B62K 3/06
 See application file for complete search history.

D442,120 S *	5/2001	Yeh	D12/111
D516,469 S *	3/2006	Reinke	D12/111
D558,646 S *	1/2008	Sheppard	D12/111
D670,208 S *	11/2012	Frenzel	D12/111
D685,683 S *	7/2013	Shaw	D12/111
D686,540 S *	7/2013	Hinderhofer	D12/111
D689,409 S *	9/2013	Yap	D12/111
D694,156 S *	11/2013	Taipalus	D12/111
D741,221 S *	10/2015	Haller	D12/111
D752,264 S *	3/2016	Talios	D26/28
D807,234 S *	1/2018	Chan	D12/111
D811,946 S *	3/2018	Williams	D12/111

* cited by examiner

Primary Examiner — Darlington Ly
 (74) *Attorney, Agent, or Firm* — Dunlap Bennett &
 Ludwig PLLC

(57) **CLAIM**

The ornamental design for a bicycle frame, as shown and described.

DESCRIPTION

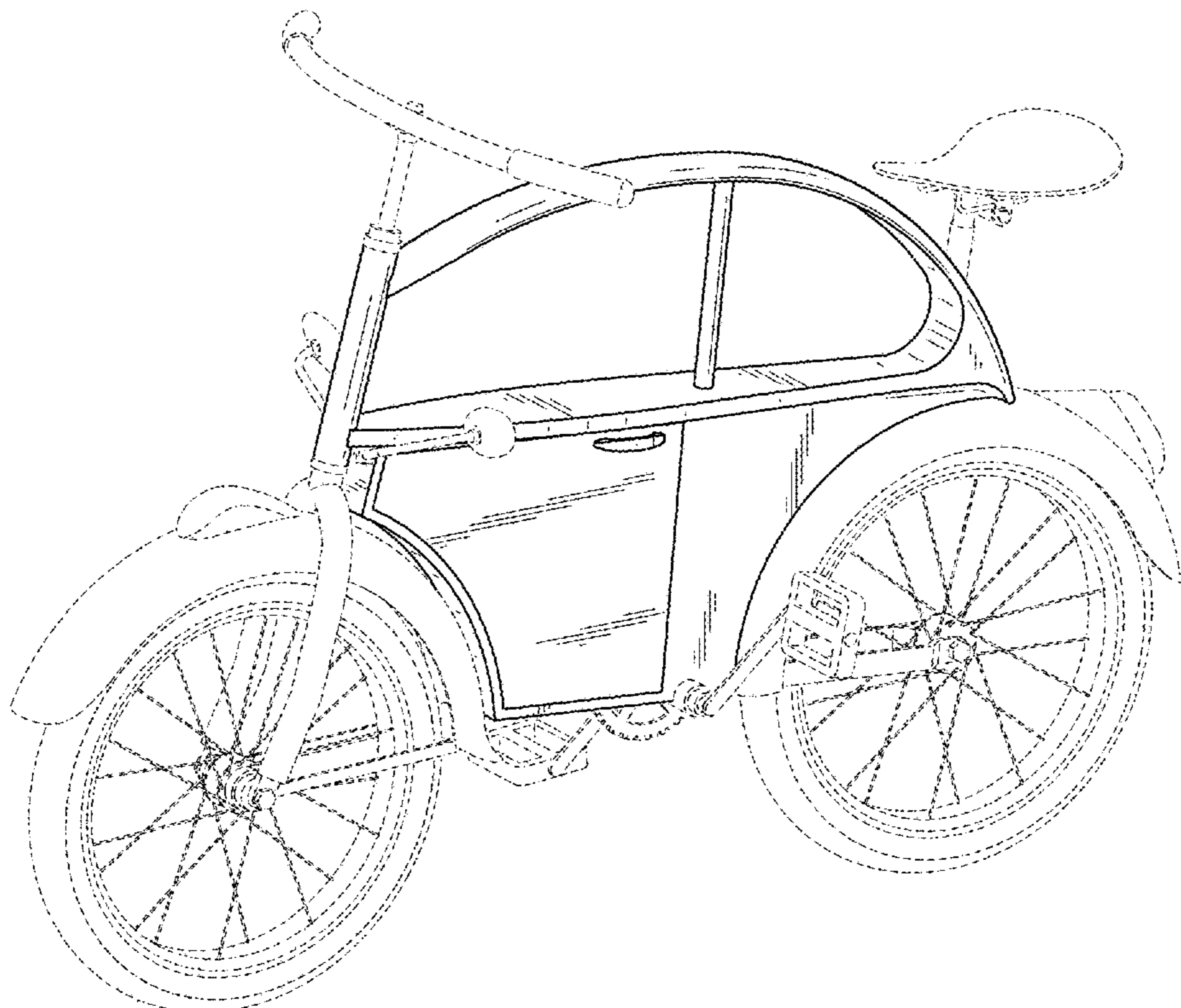
FIG. 1 is a front perspective view of a bicycle frame;
 FIG. 2 is a front elevation view thereof;
 FIG. 3 is a rear elevation view thereof;
 FIG. 4 is a left side elevation view thereof;
 FIG. 5 is a right side elevation view thereof;
 FIG. 6 is a top plan view thereof; and,
 FIG. 7 is a bottom plan view thereof.
 The broken lines shown in the drawings depict portions of a bicycle and a bicycle frame that form no part of the claimed invention.

1 Claim, 6 Drawing Sheets

(56) **References Cited**

U.S. PATENT DOCUMENTS

D368,678 S *	4/1996	Wilcox	D12/111
D383,100 S *	9/1997	Lee	D12/111
D389,787 S *	1/1998	Zeigle	D12/111
D390,506 S *	2/1998	Shiau	D12/111
D393,432 S *	4/1998	Yelverton	D12/111
D396,434 S *	7/1998	Tseng	D12/111
D400,826 S *	11/1998	Accerenzi	D12/111
D419,492 S *	1/2000	Egger	D12/111



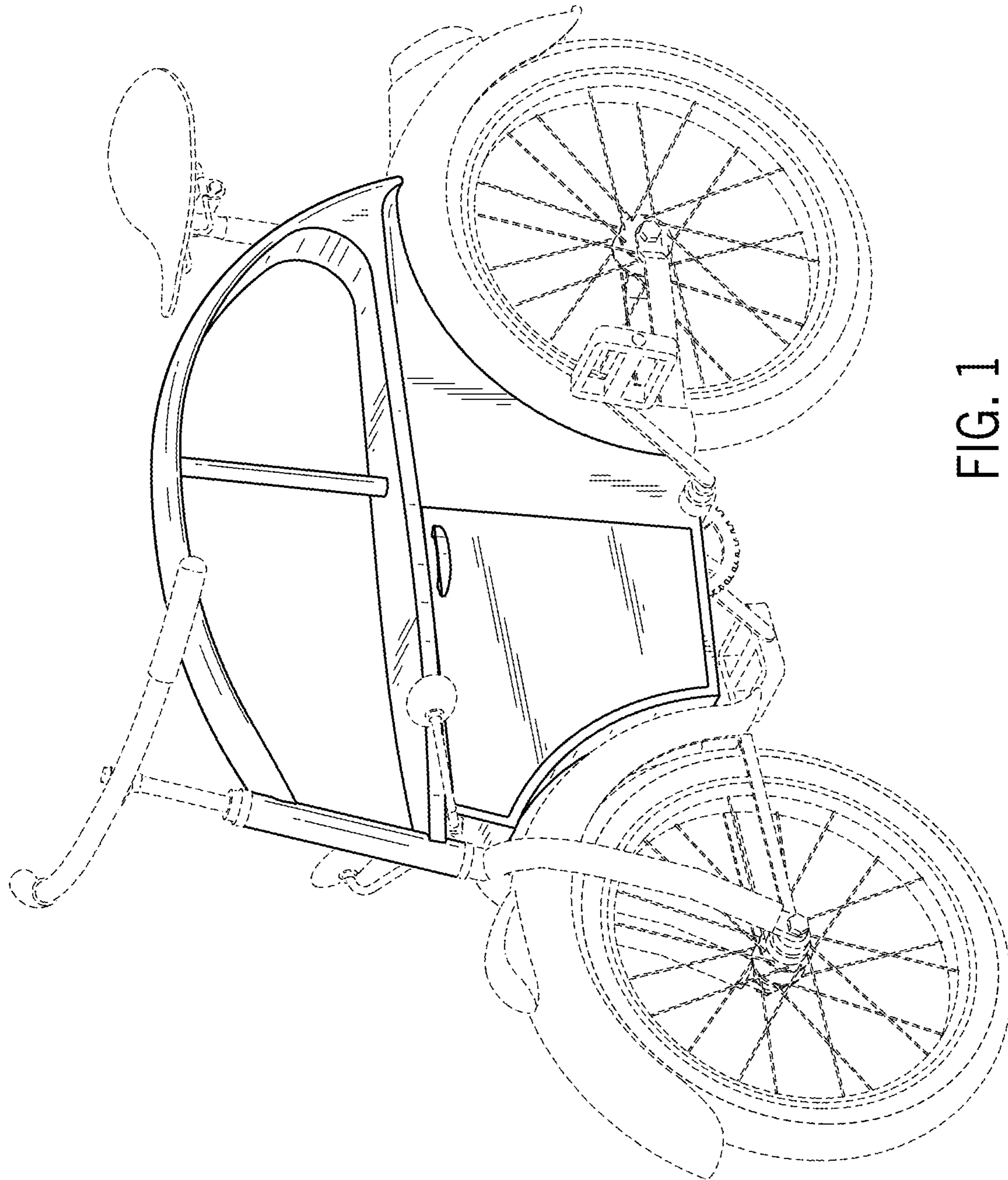


FIG. 1

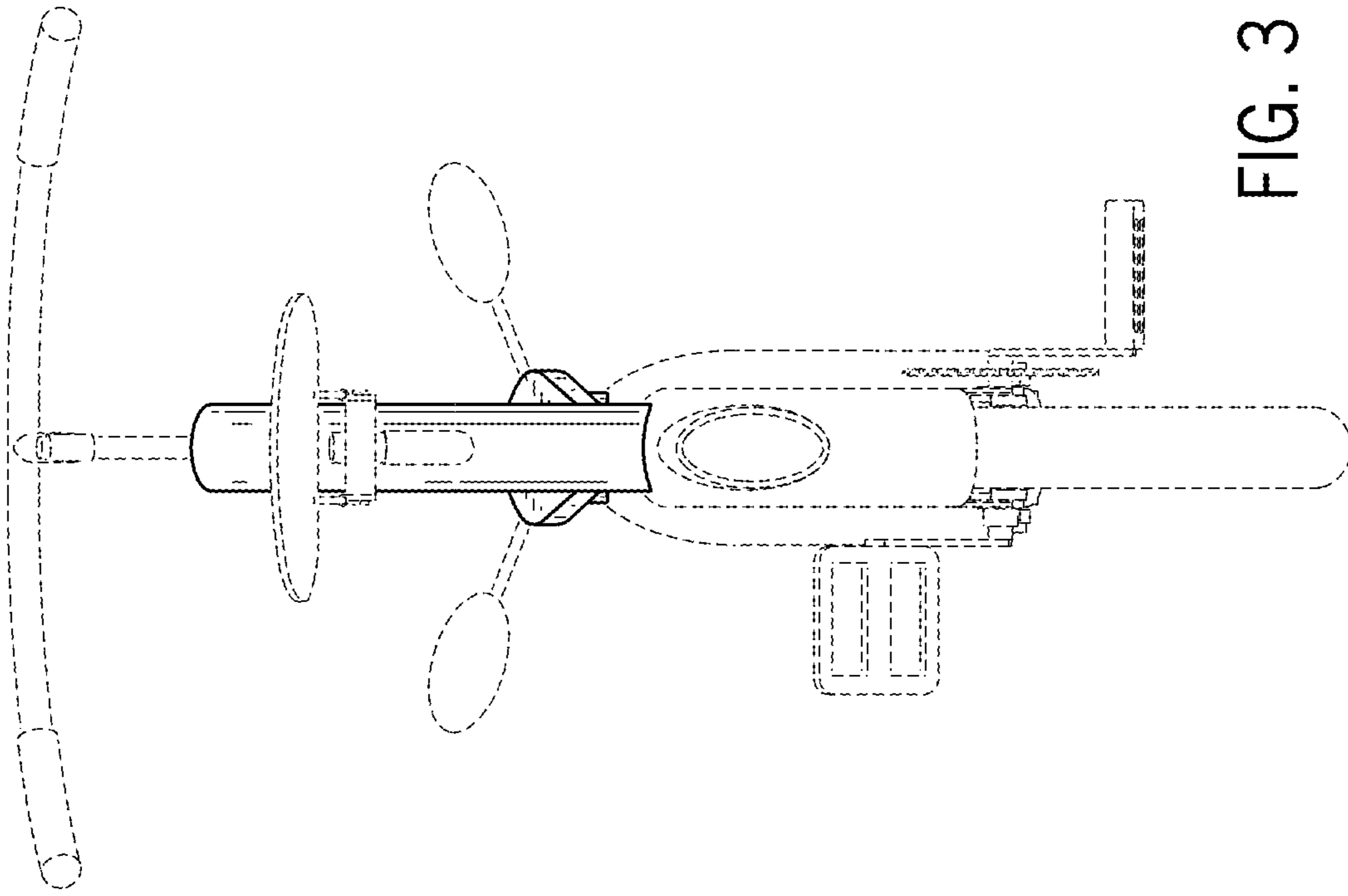


FIG. 3

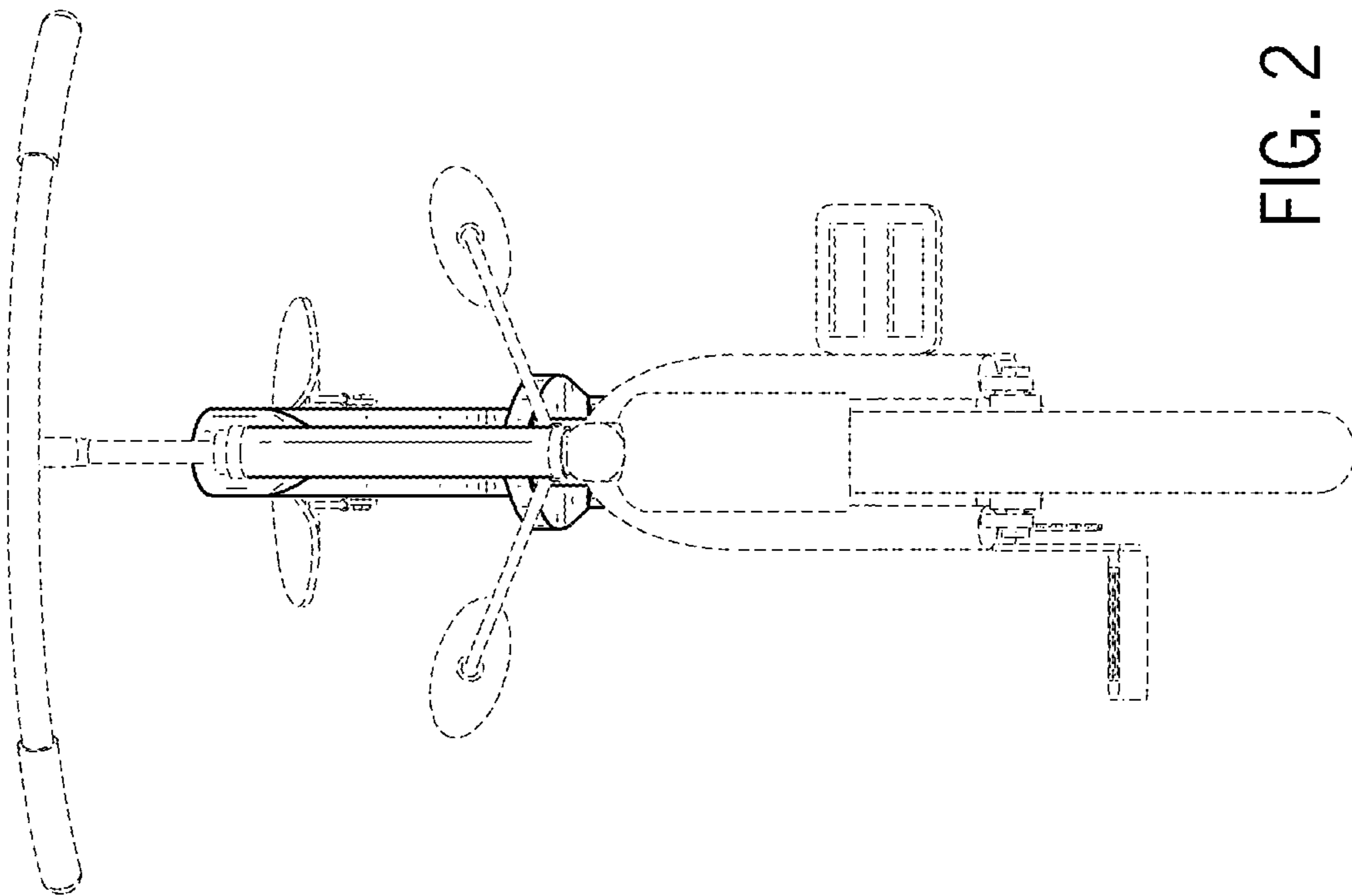


FIG. 2

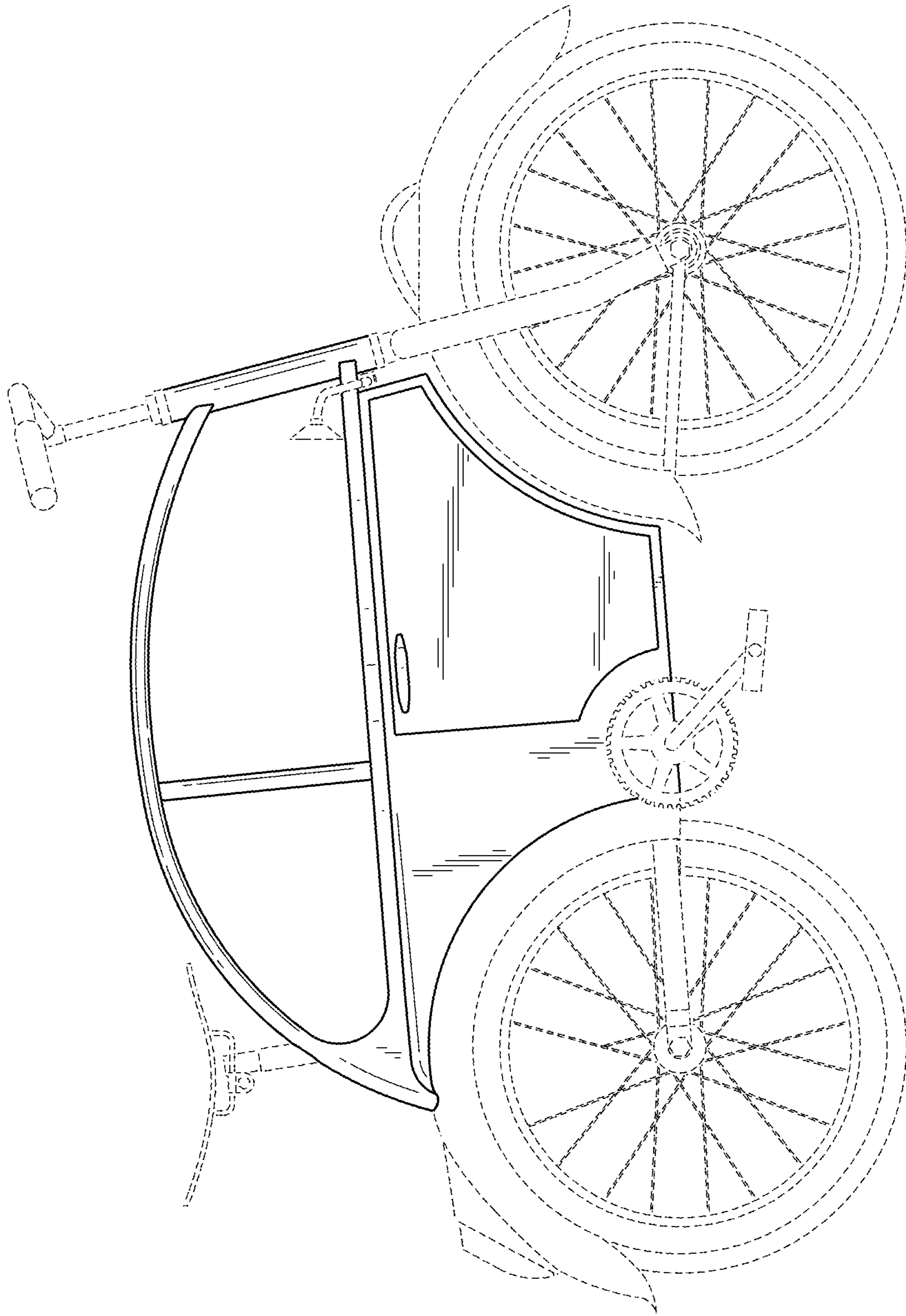


FIG. 4

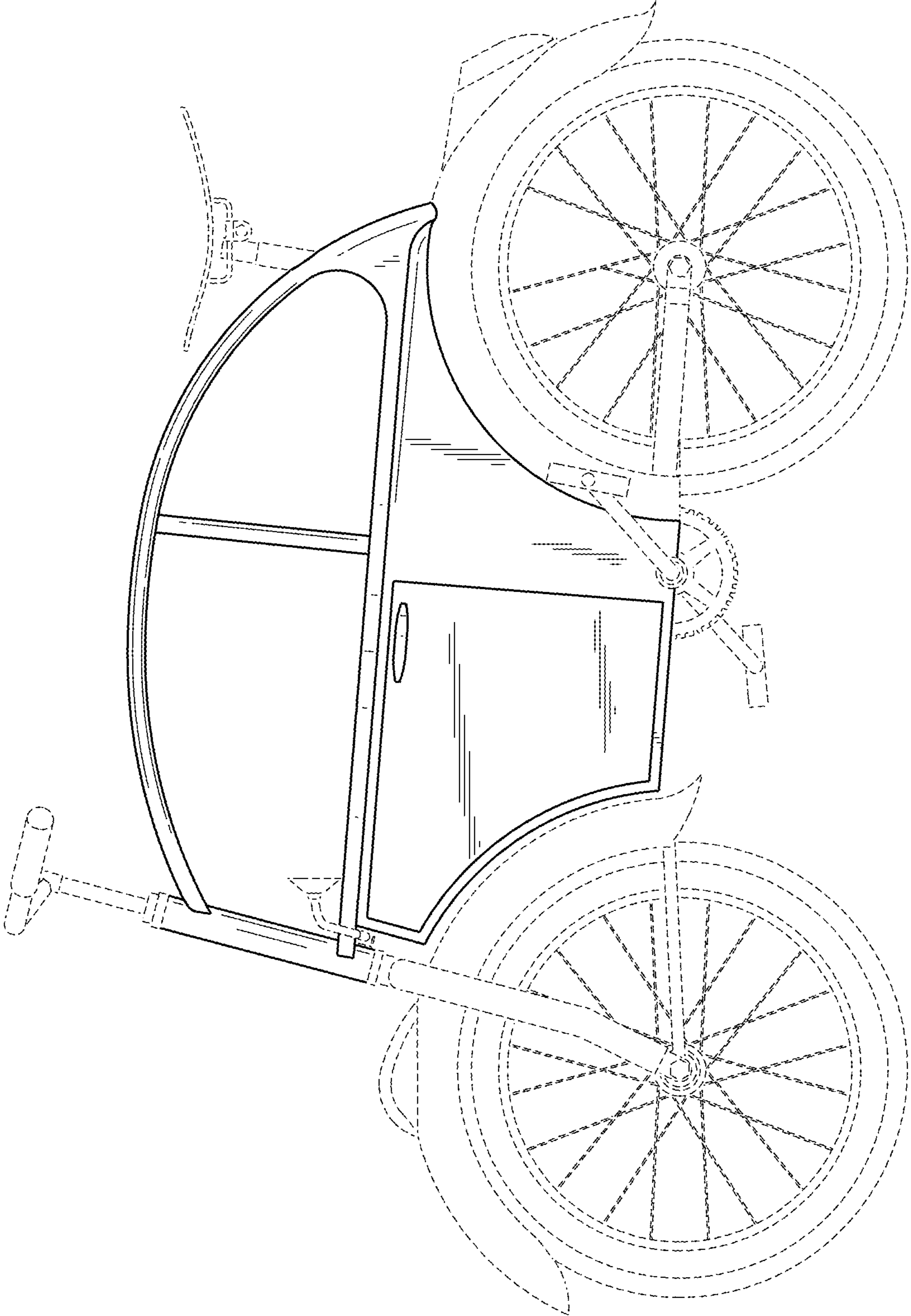


FIG. 5

FIG. 6

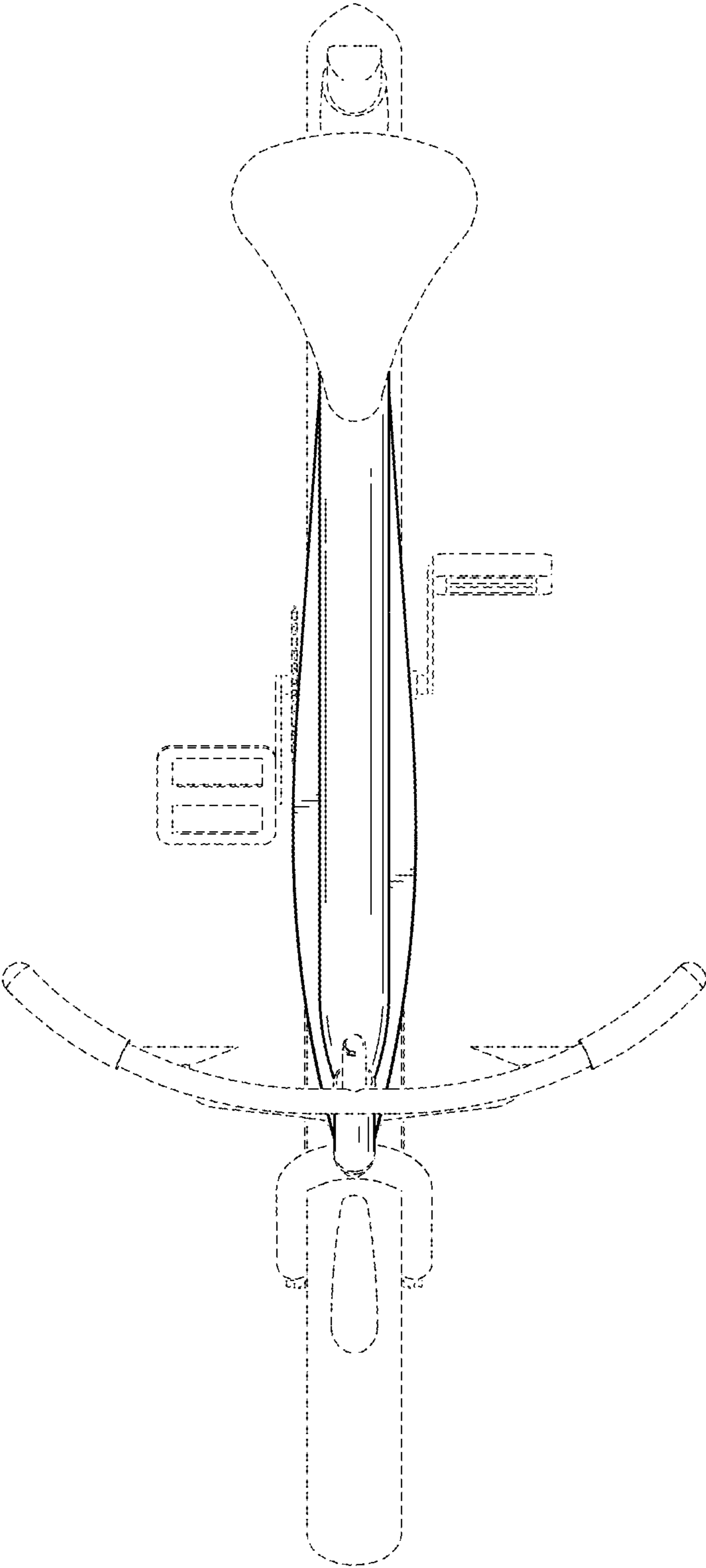


FIG. 7

