



US00D869337S

(12) **United States Design Patent** (10) **Patent No.:** **US D869,337 S**  
**Woodhouse et al.** (45) **Date of Patent:** **\*\* Dec. 10, 2019**

(54) **VEHICLE EXTERIOR**  
(71) Applicant: **Ford Global Technologies, LLC,**  
Dearborn, MI (US)  
(72) Inventors: **David Woodhouse,** Troy, MI (US);  
**Kemal Curic,** Irvine, CA (US); **Xitij**  
**Mistry,** Ann Arbor, MI (US);  
**Gurminder Bhandal,** Ferndale, MI  
(US); **John C. Caswell,** Grosse Pointe,  
MI (US)  
(73) Assignee: **Ford Global Technologies, LLC,**  
Dearborn, MI (US)

(\*\*) Term: **15 Years**  
(21) Appl. No.: **29/641,676**  
(22) Filed: **Mar. 23, 2018**  
(51) **LOC (12) Cl.** ..... **12-08**  
(52) **U.S. Cl.**  
USPC ..... **D12/91**  
(58) **Field of Classification Search**  
USPC ..... D12/86, 90-92; D21/424, 433, 434;  
296/181.1-181.5, 183.1  
CPC ..... B62D 25/00; B62D 25/06; B62D 33/00;  
B62D 35/00  
See application file for complete search history.

(56) **References Cited**  
U.S. PATENT DOCUMENTS  
D727,210 S \* 4/2015 Grake ..... D12/91  
D728,424 S \* 5/2015 Rupar ..... D12/91

D728,426 S \* 5/2015 Di Buduo ..... D12/91  
D736,120 S \* 8/2015 Blanski ..... D12/91  
D741,224 S \* 10/2015 Rupar ..... D12/91  
D741,752 S \* 10/2015 Messale ..... D12/91  
D743,303 S \* 11/2015 Huang ..... D12/91  
D746,175 S \* 12/2015 Wolff ..... D12/91  
D754,563 S \* 4/2016 Behmer ..... D12/91  
D770,942 S \* 11/2016 Woodhouse ..... D12/92  
D793,283 S \* 8/2017 Woodhouse ..... D12/91  
D820,162 S \* 6/2018 Woodhouse ..... D12/91  
D820,163 S \* 6/2018 Woodhouse ..... D12/91

\* cited by examiner  
*Primary Examiner* — Melody N Brown

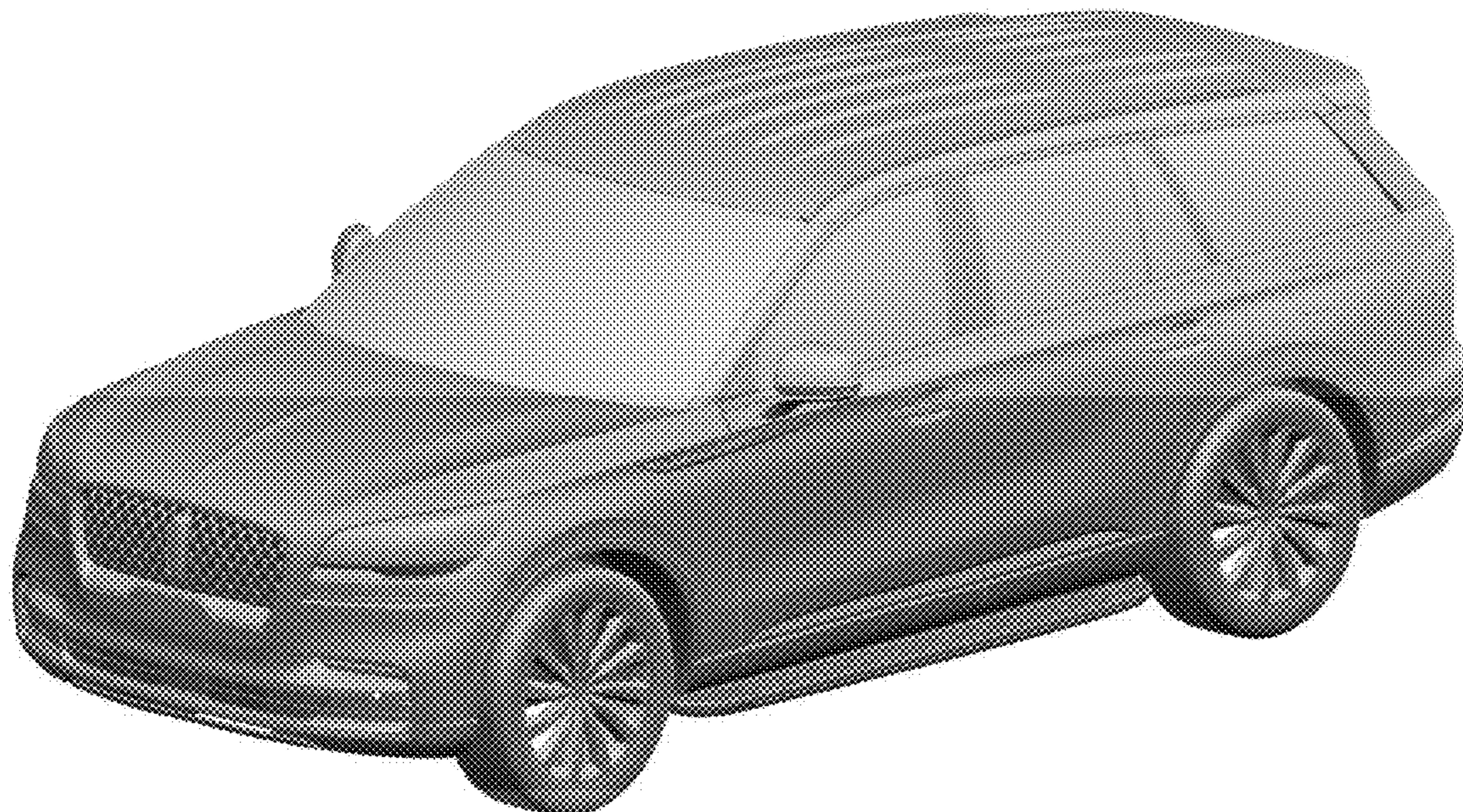
(57) **CLAIM**

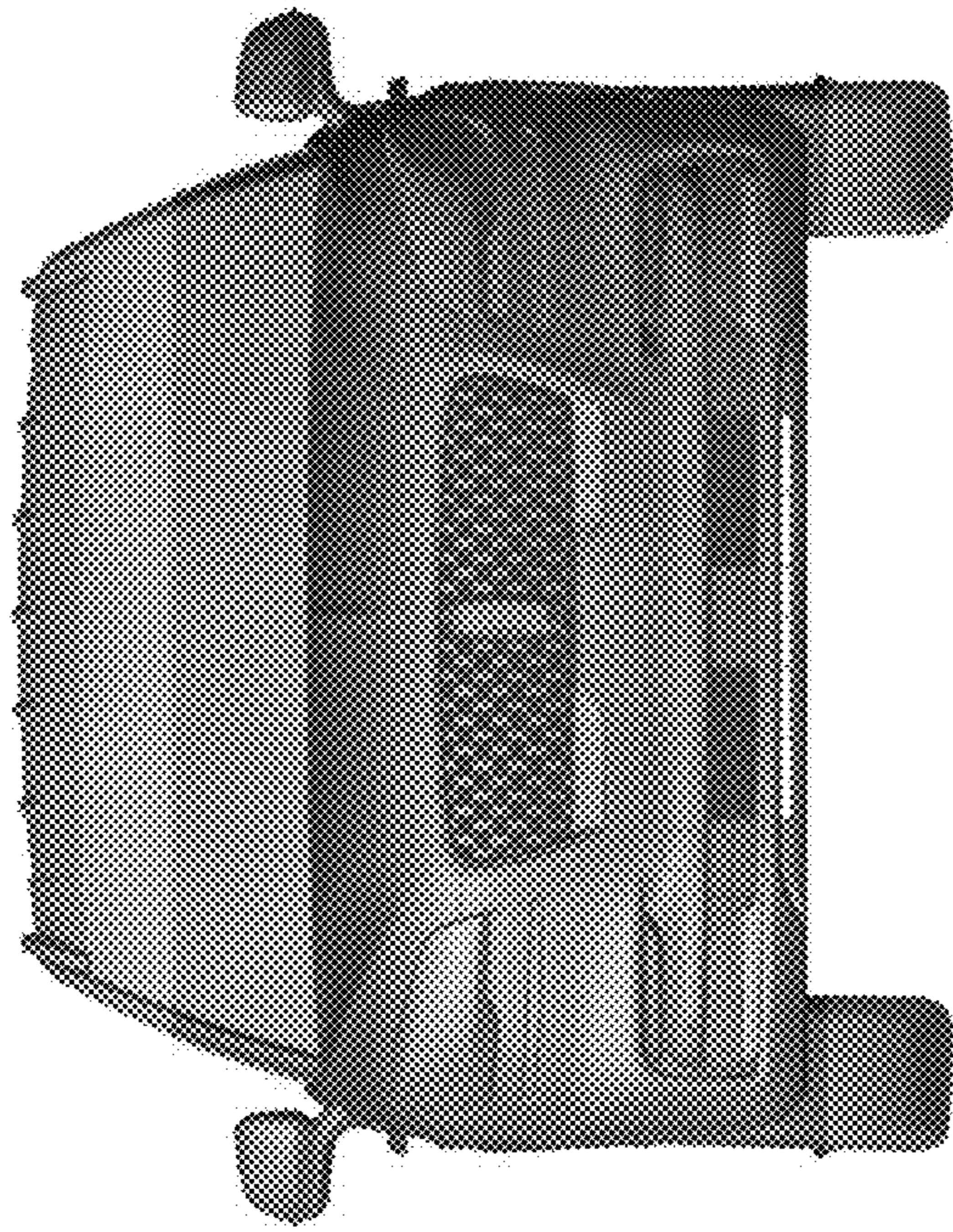
The ornamental design for a vehicle exterior, as shown and described.

**DESCRIPTION**

FIG. 1 is a front elevational view of a vehicle exterior showing our new design;  
FIG. 2 is a rear elevational view thereof;  
FIG. 3 is a left side elevational view thereof;  
FIG. 4 is a right side elevational thereof;  
FIG. 5 is a top plan view thereof;  
FIG. 6 is a top, front, and left side perspective view thereof;  
and,  
FIG. 7 is a top, rear and left side perspective view thereof.

**1 Claim, 7 Drawing Sheets**





*Fig. 1*

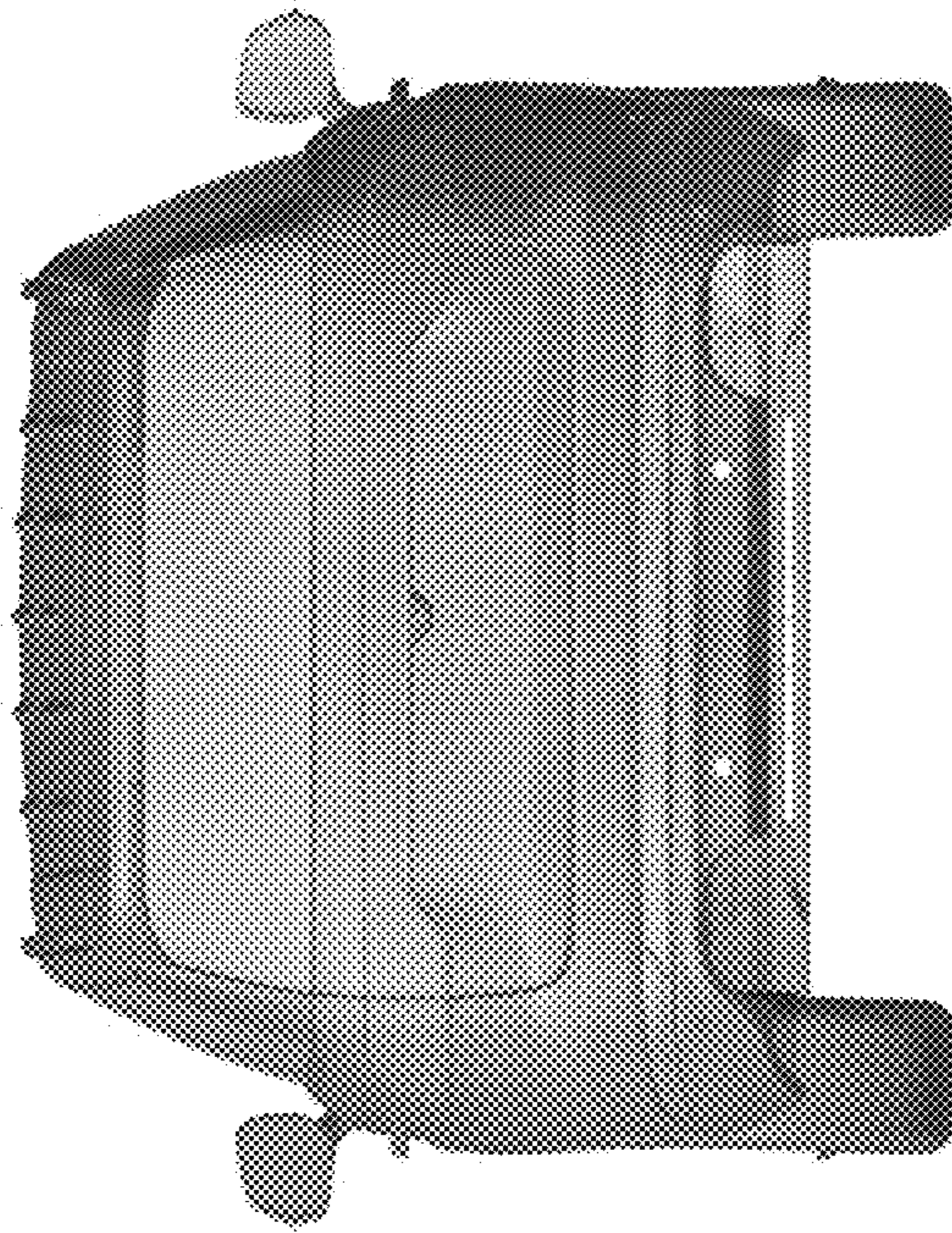


Fig. 2

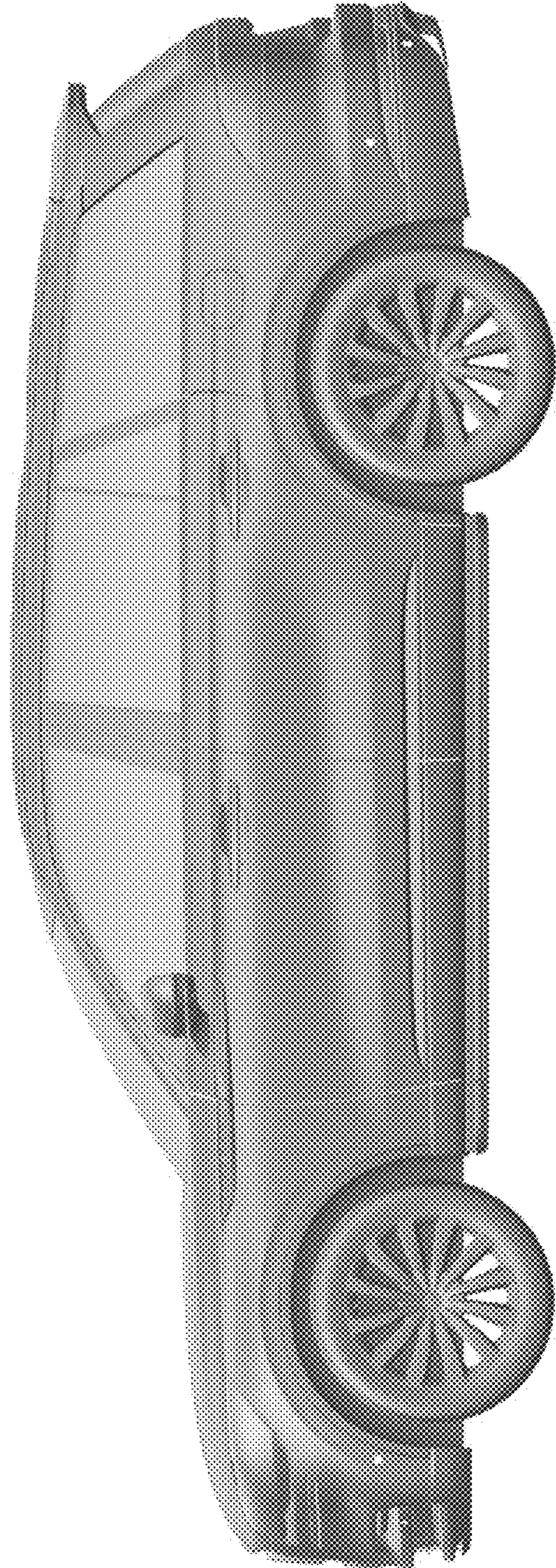


Fig. 3

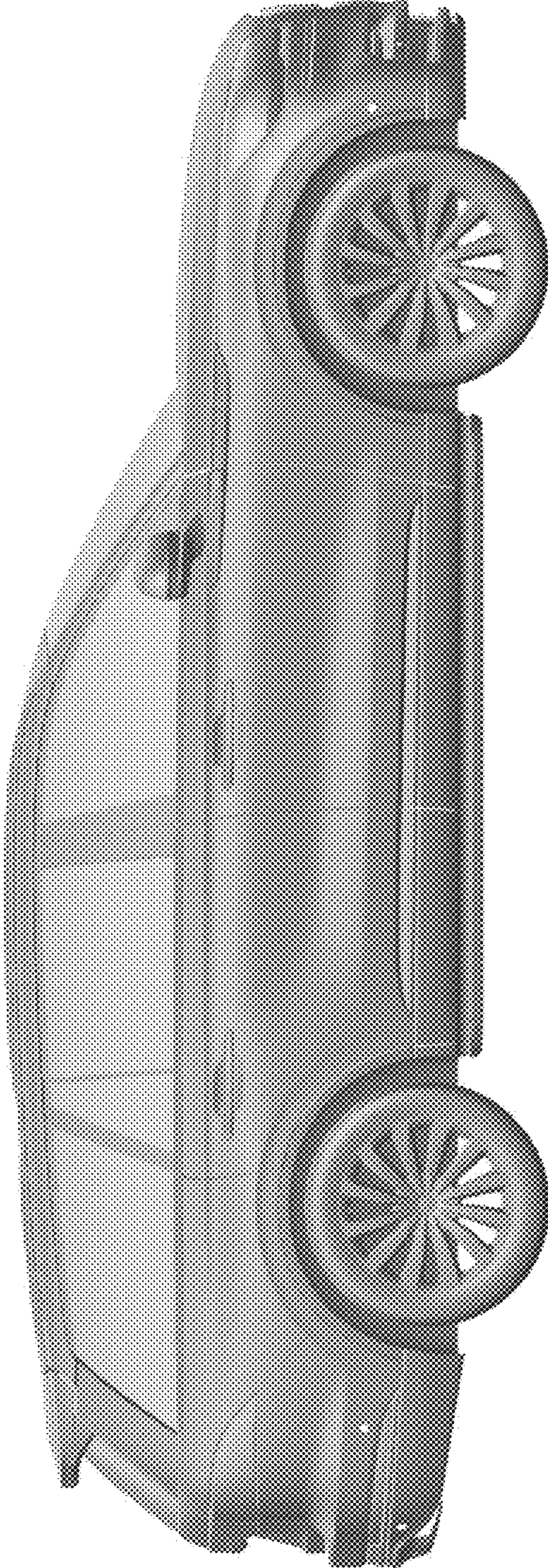


Fig. 4

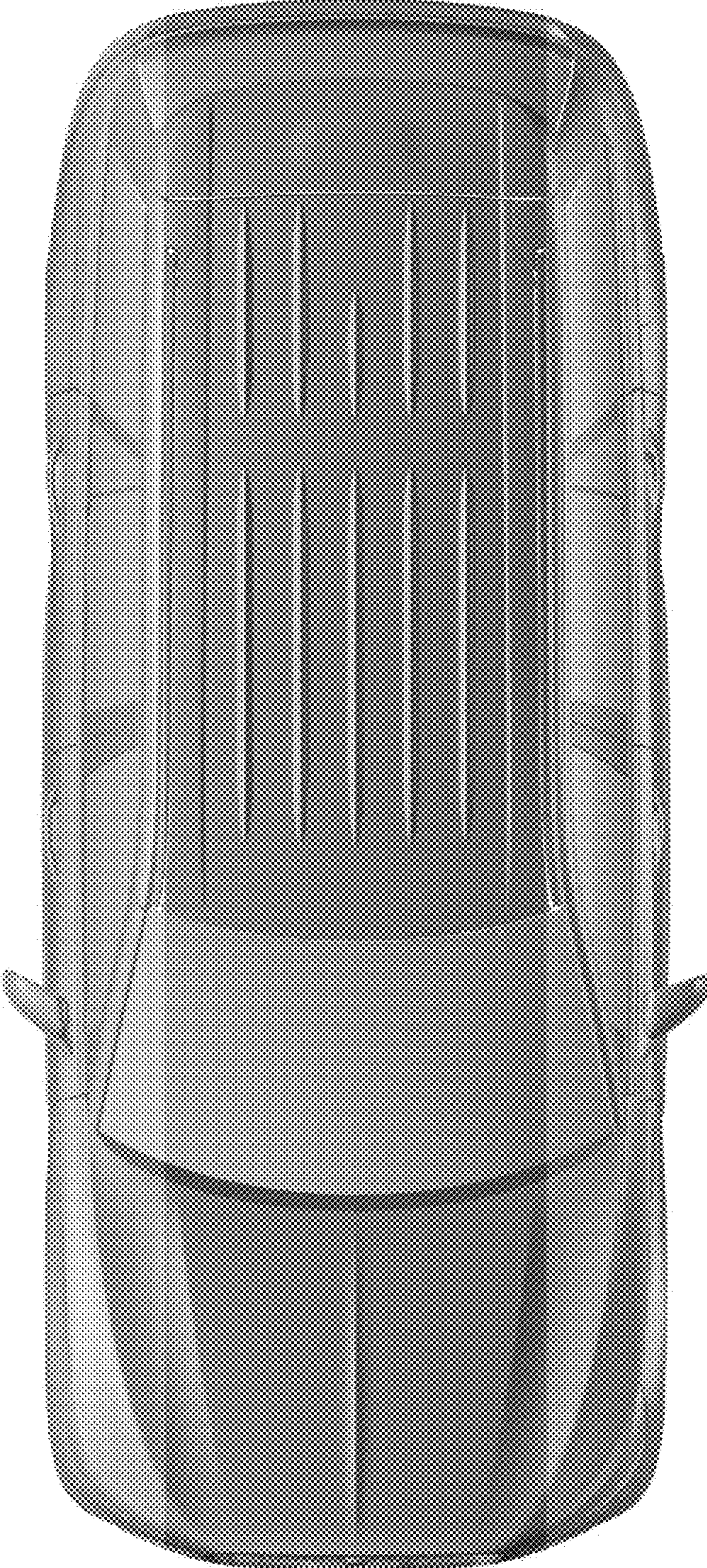


Fig. 5

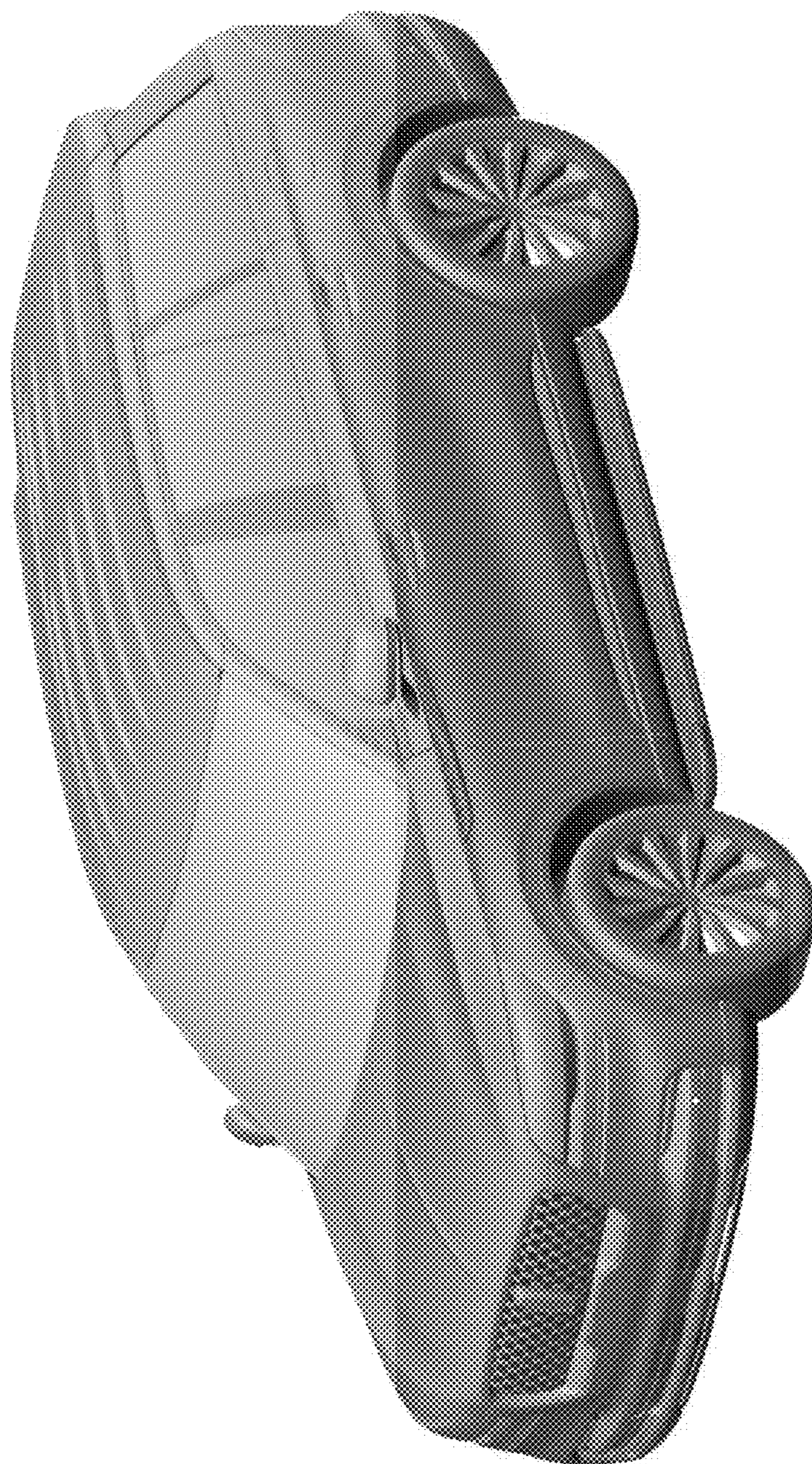


Fig. 6

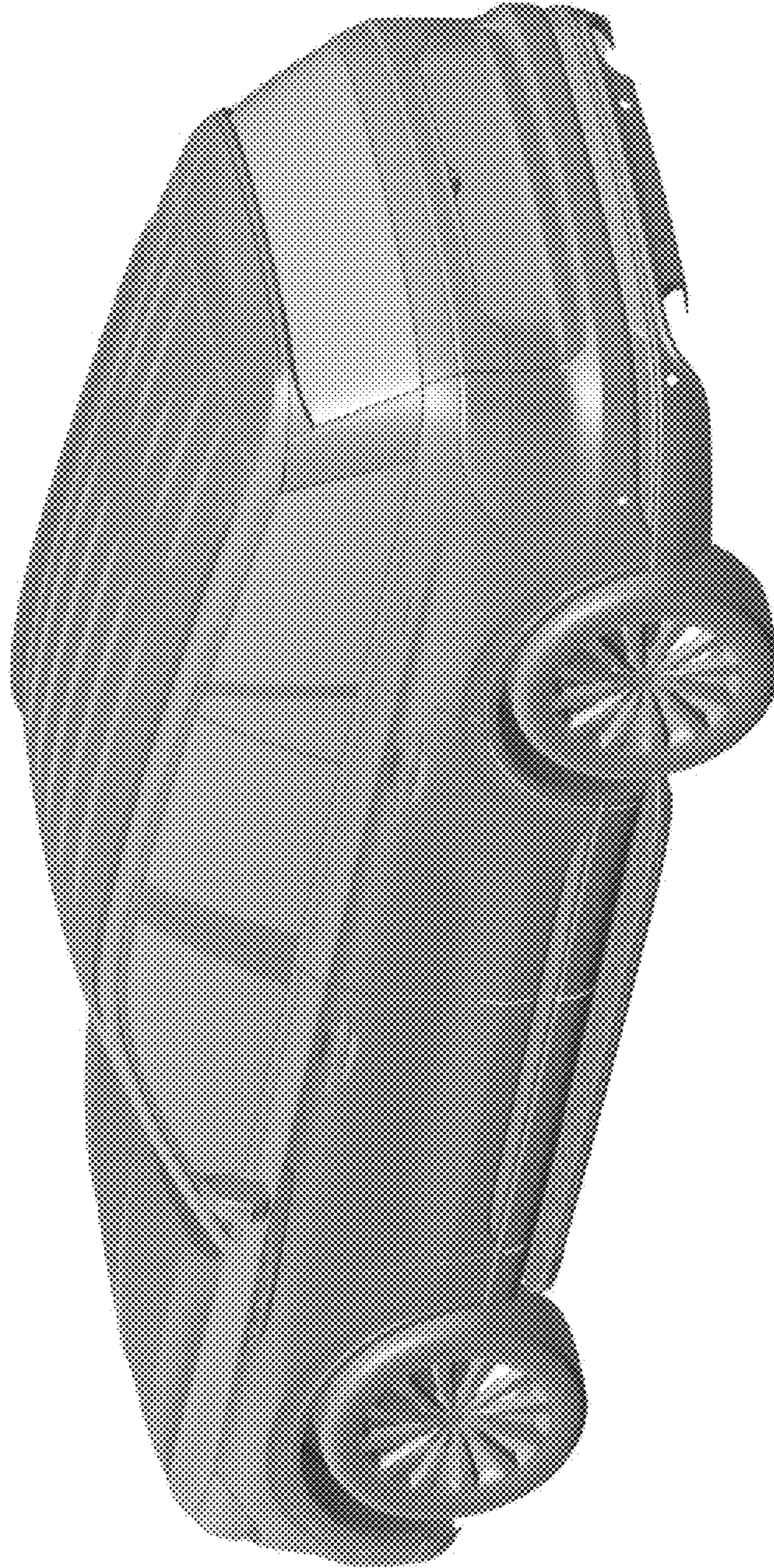


Fig. 7