



US00D869336S

(12) **United States Design Patent** (10) **Patent No.:** **US D869,336 S**
Borkert (45) **Date of Patent:** **** Dec. 10, 2019**

(54) **CAR, TOY CAR REPLICA AND/OR OTHER REPLICA**

FOREIGN PATENT DOCUMENTS

(71) Applicant: **AUTOMOBILI LAMBORGHINI S.P.A.**, Sant'agata Bolognese (Bologna) (IT)

| | | |
|----|---------|--------|
| JP | 1520547 | 3/2015 |
| JP | 1520650 | 3/2015 |
| JP | 1555011 | 8/2016 |
| JP | 1577714 | 5/2017 |
| JP | 1446625 | 7/2017 |
| JP | 1580646 | 7/2017 |
| JP | 1580668 | 7/2017 |

(72) Inventor: **Mitja Borkert**, Castelnuovo Rangone (IT)

(Continued)

(73) Assignee: **AUTOMOBILI LAMBORGHINI S.P.A.**, Sant'agata Bolognese (IT)

OTHER PUBLICATIONS

(**) Term: **15 Years**

Japanese Search Report dated Feb. 19, 2019 for counterpart Japanese Patent Application No. 2018-017403.

(21) Appl. No.: **29/658,936**

(Continued)

(22) Filed: **Aug. 3, 2018**

Primary Examiner — Melody N Brown

(30) **Foreign Application Priority Data**

(74) *Attorney, Agent, or Firm* — Shuttleworth & Ingersoll, PLC; Timothy J. Klima

Mar. 5, 2018 (EM) 004739795-0001

(51) **LOC (12) Cl.** **12-08**

(57) **CLAIM**

(52) **U.S. Cl.**
USPC **D12/88**

The ornamental design for a car, toy car replica and/or other replica, as shown and described.

(58) **Field of Classification Search**
USPC D12/86, 90-92, 88; D21/424, 433, 434, D21/533; 296/181.1-181.5, 183.1
CPC B62D 25/00; B62D 25/06; B62D 33/00; B62D 35/00

DESCRIPTION

See application file for complete search history.

FIG. 1 is a top, front and left side perspective view of a car, toy car replica and/or other replica showing my new design; FIG. 2 is a top, front and right side perspective view thereof; FIG. 3 is a top view thereof; FIG. 4 is a front view thereof; FIG. 5 is a rear side view thereof; FIG. 6 is a left side view thereof; FIG. 7 is a right side view thereof; and, FIG. 8 is a bottom view thereof.

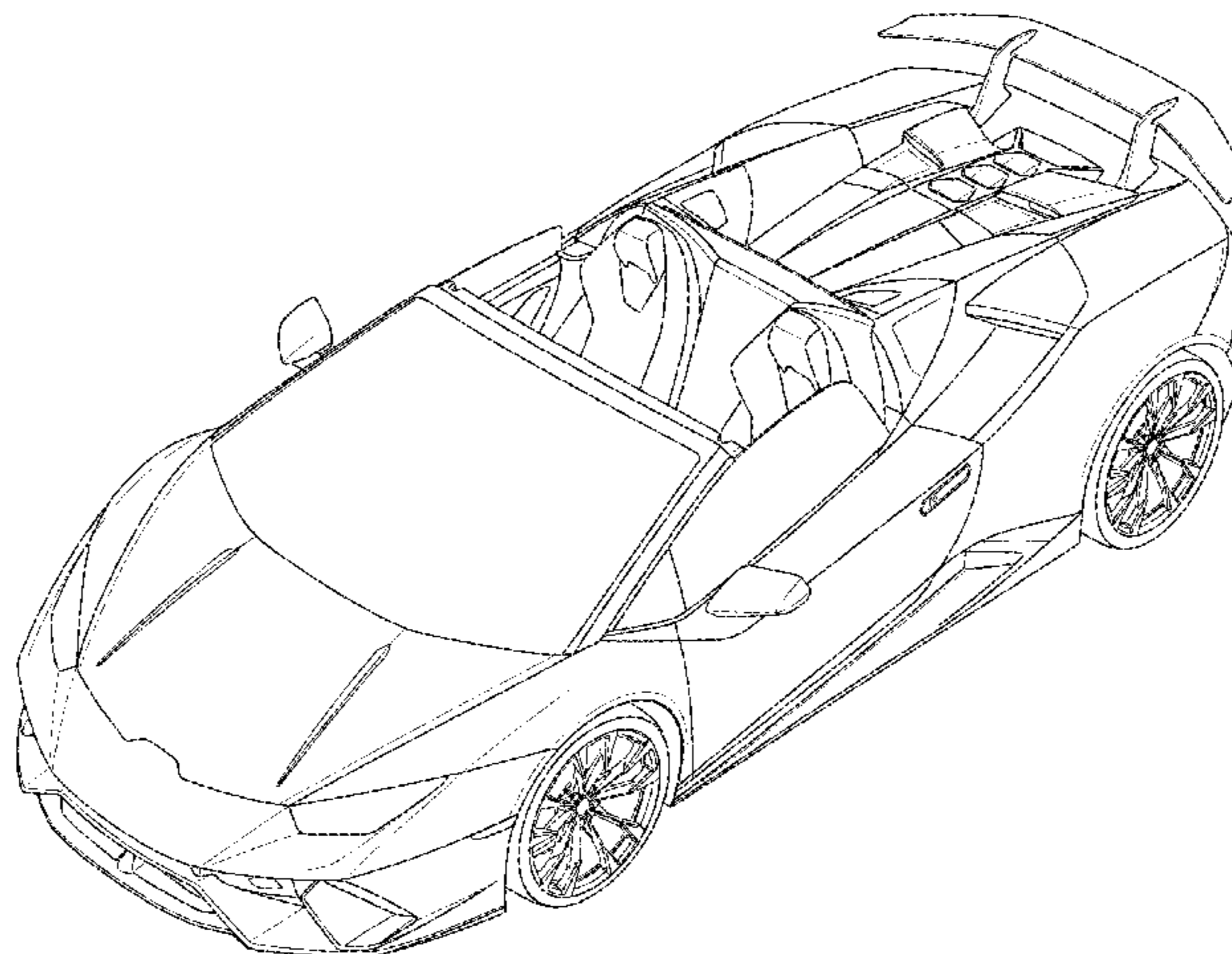
(56) **References Cited**

U.S. PATENT DOCUMENTS

| | | | | |
|--------------|---------|---------|-------|--------|
| D781,749 S * | 3/2017 | Perini | | D12/88 |
| D788,642 S * | 6/2017 | Manzoni | | D12/88 |
| D790,398 S * | 6/2017 | Perini | | D12/88 |
| D790,399 S * | 6/2017 | Perini | | D12/88 |
| D790,402 S * | 6/2017 | Perini | | D12/88 |
| D791,019 S * | 7/2017 | Perini | | D12/88 |
| D833,912 S * | 11/2018 | Manzoni | | D12/88 |

The broken lines in the figures illustrate portions of the car that form no part of the claimed design.

1 Claim, 8 Drawing Sheets



(56)

References Cited

FOREIGN PATENT DOCUMENTS

| | | |
|----|----------|---------|
| JP | 1581748 | 7/2017 |
| JP | 1581749 | 7/2017 |
| JP | 1583429 | 8/2017 |
| JP | 1584928 | 8/2017 |
| JP | 1587377 | 10/2017 |
| JP | 1590960 | 11/2017 |
| WO | 28015027 | 12/2016 |
| WO | DM087125 | 3/2017 |
| WO | DM097124 | 3/2017 |

OTHER PUBLICATIONS

Japanese Search Report dated Feb. 19, 2019 for counterpart Japanese Patent Application No. 2018-017404.

* cited by examiner

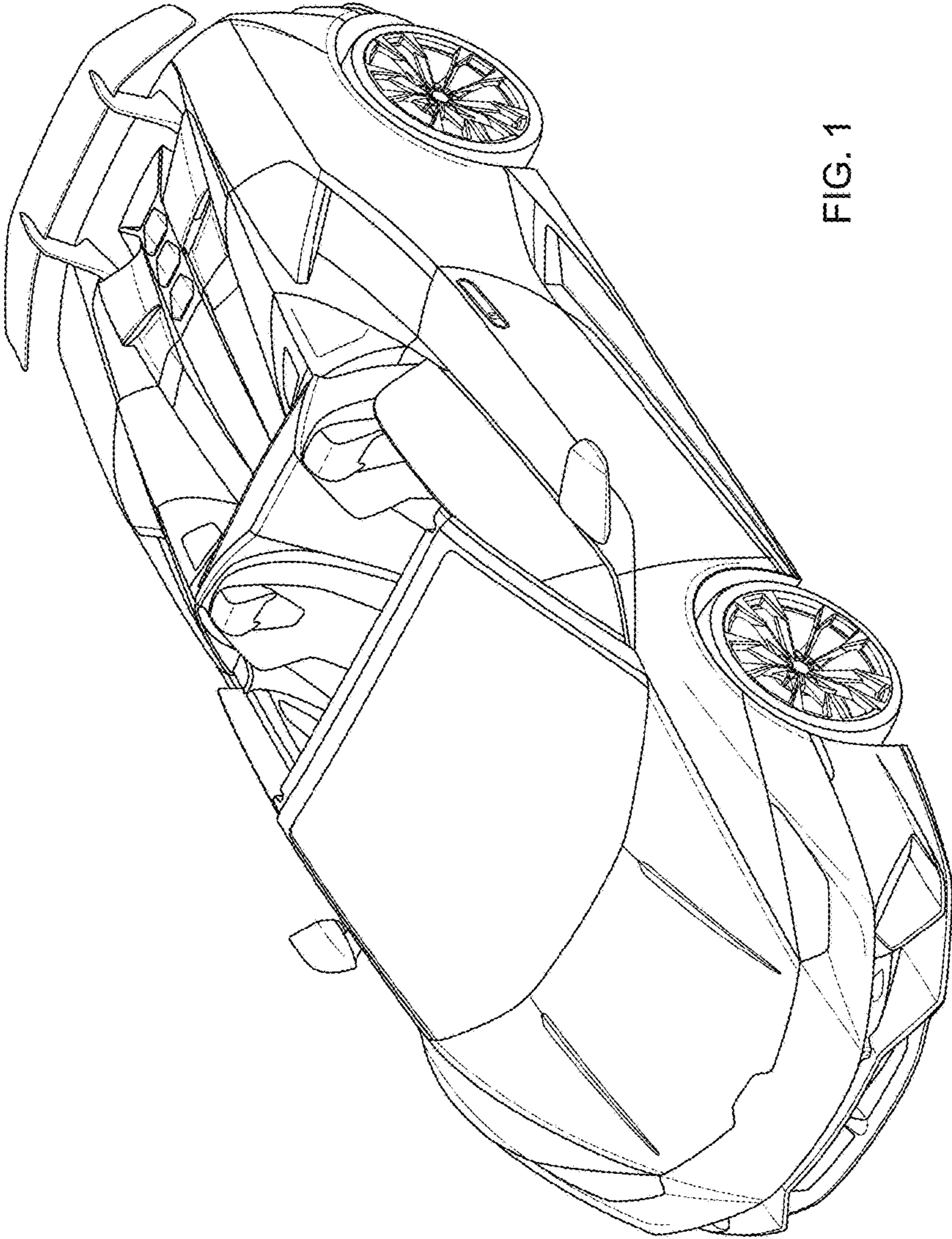


FIG. 1

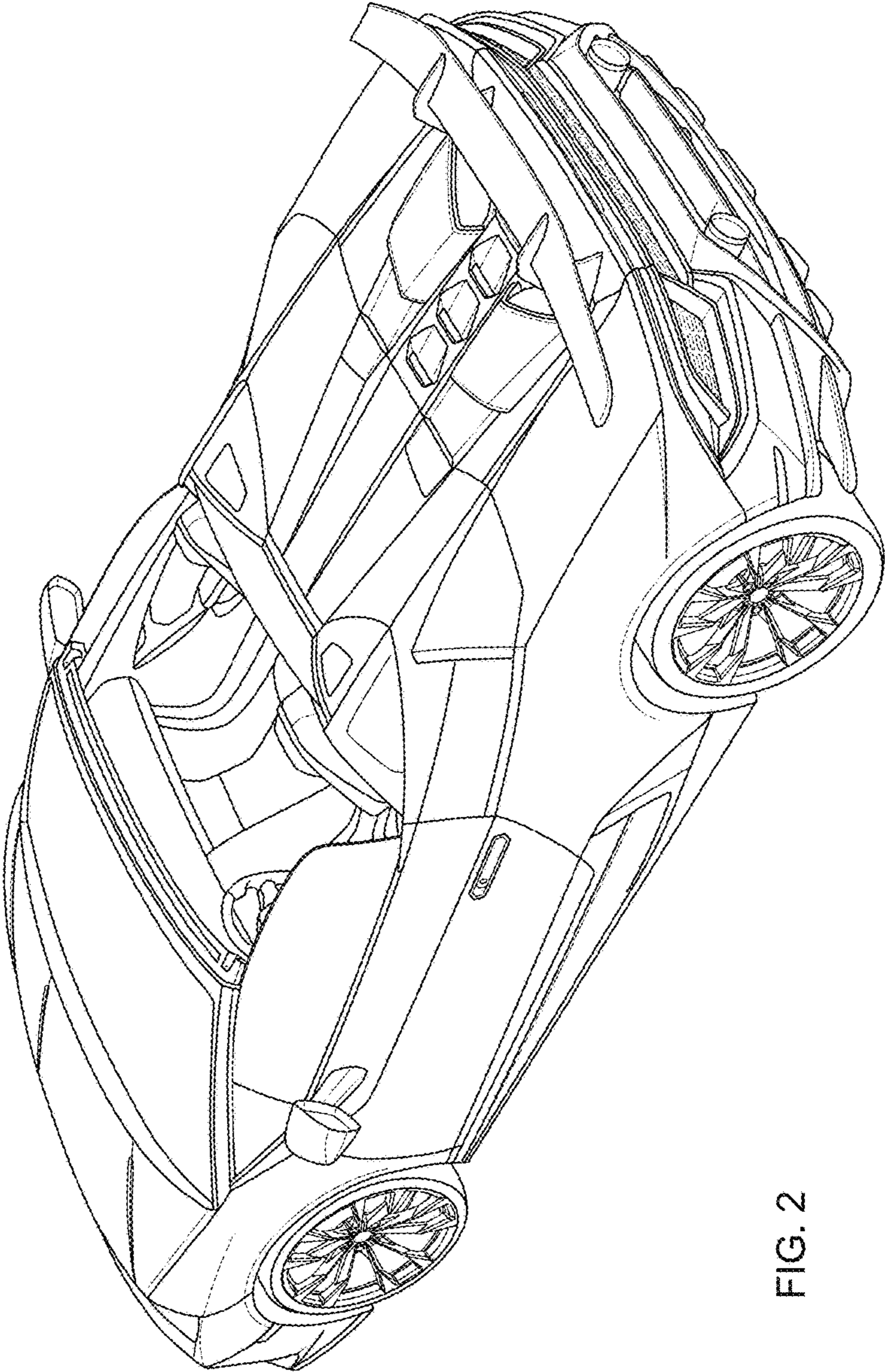


FIG. 2

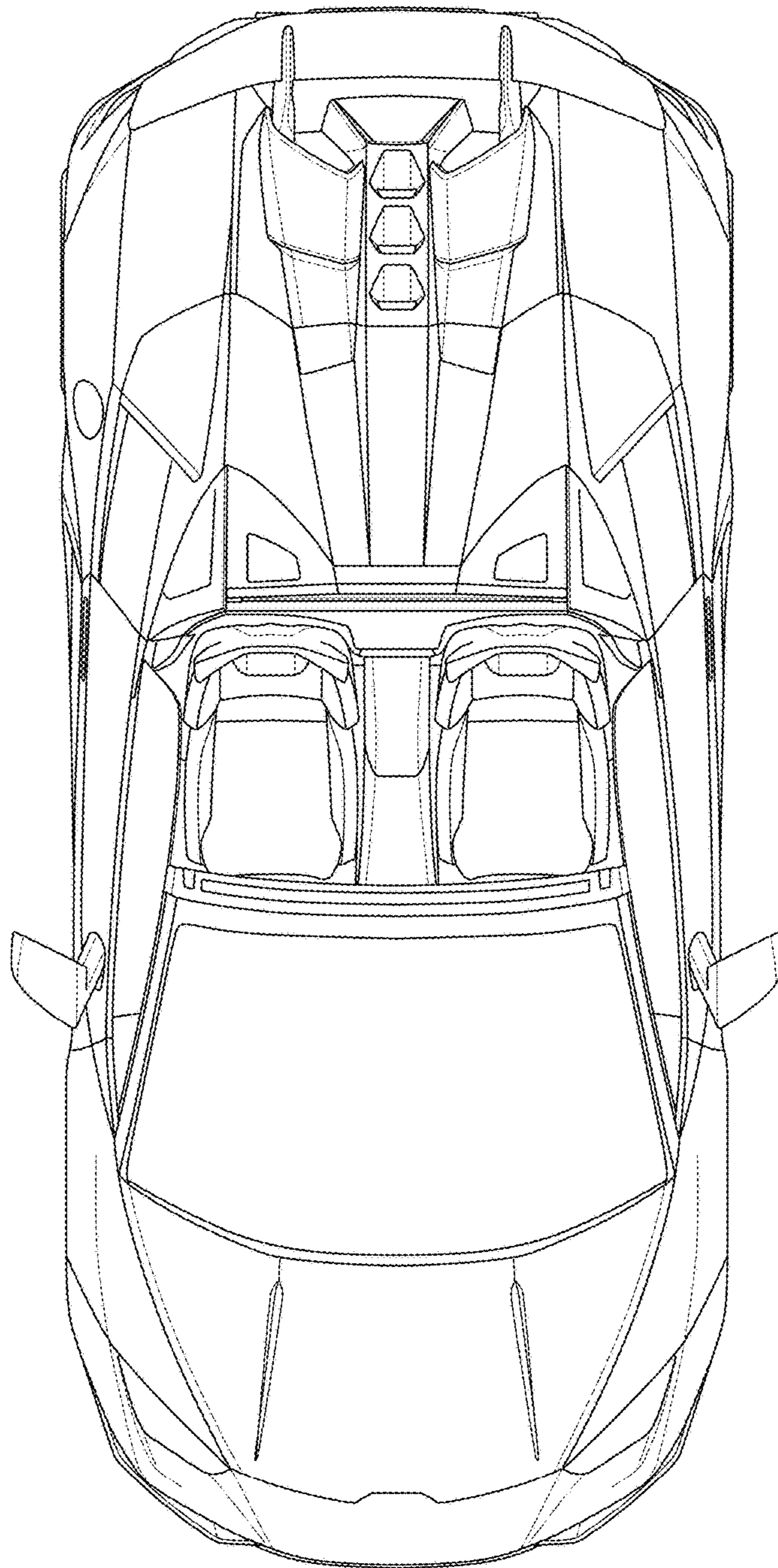


FIG. 3

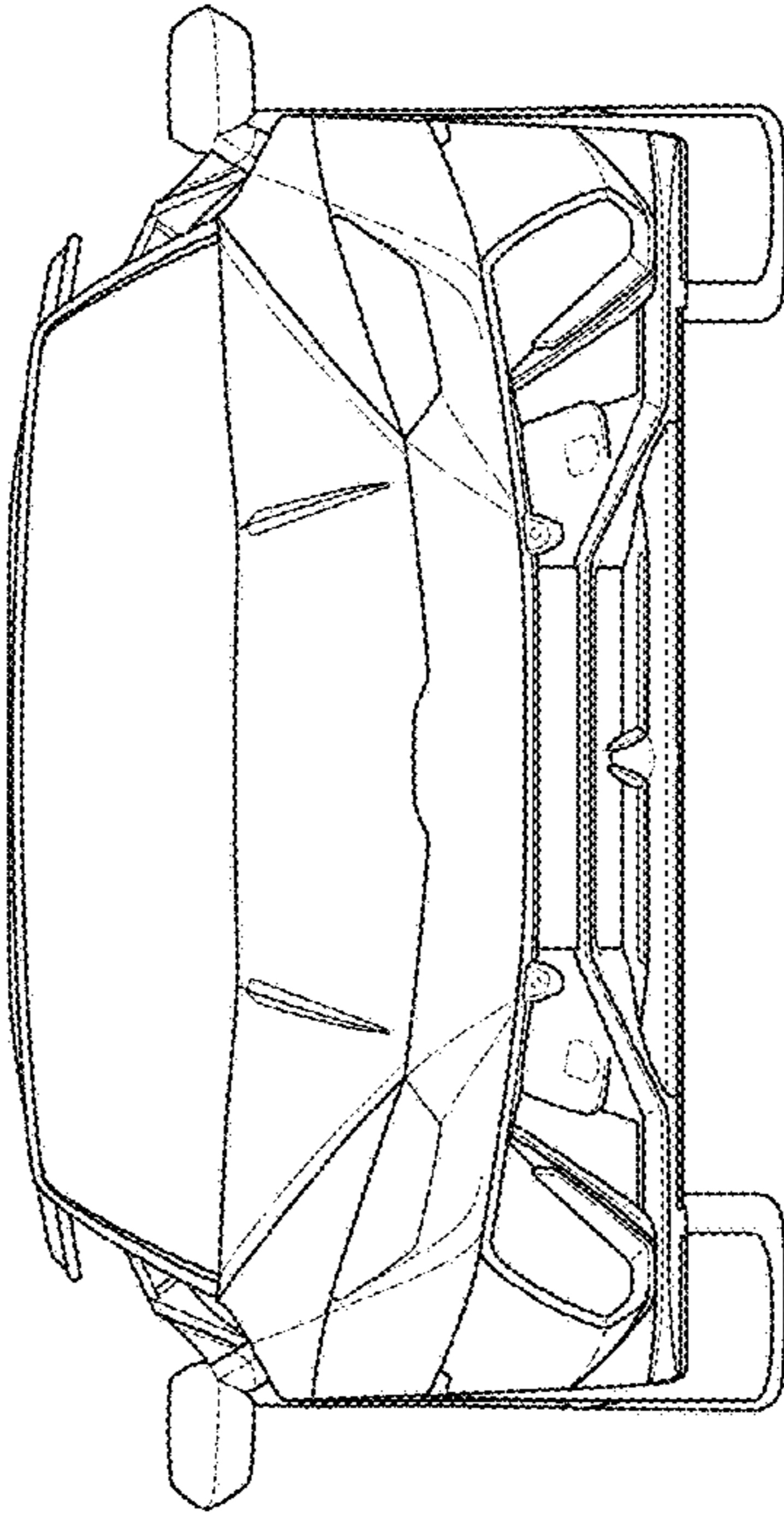


FIG. 4

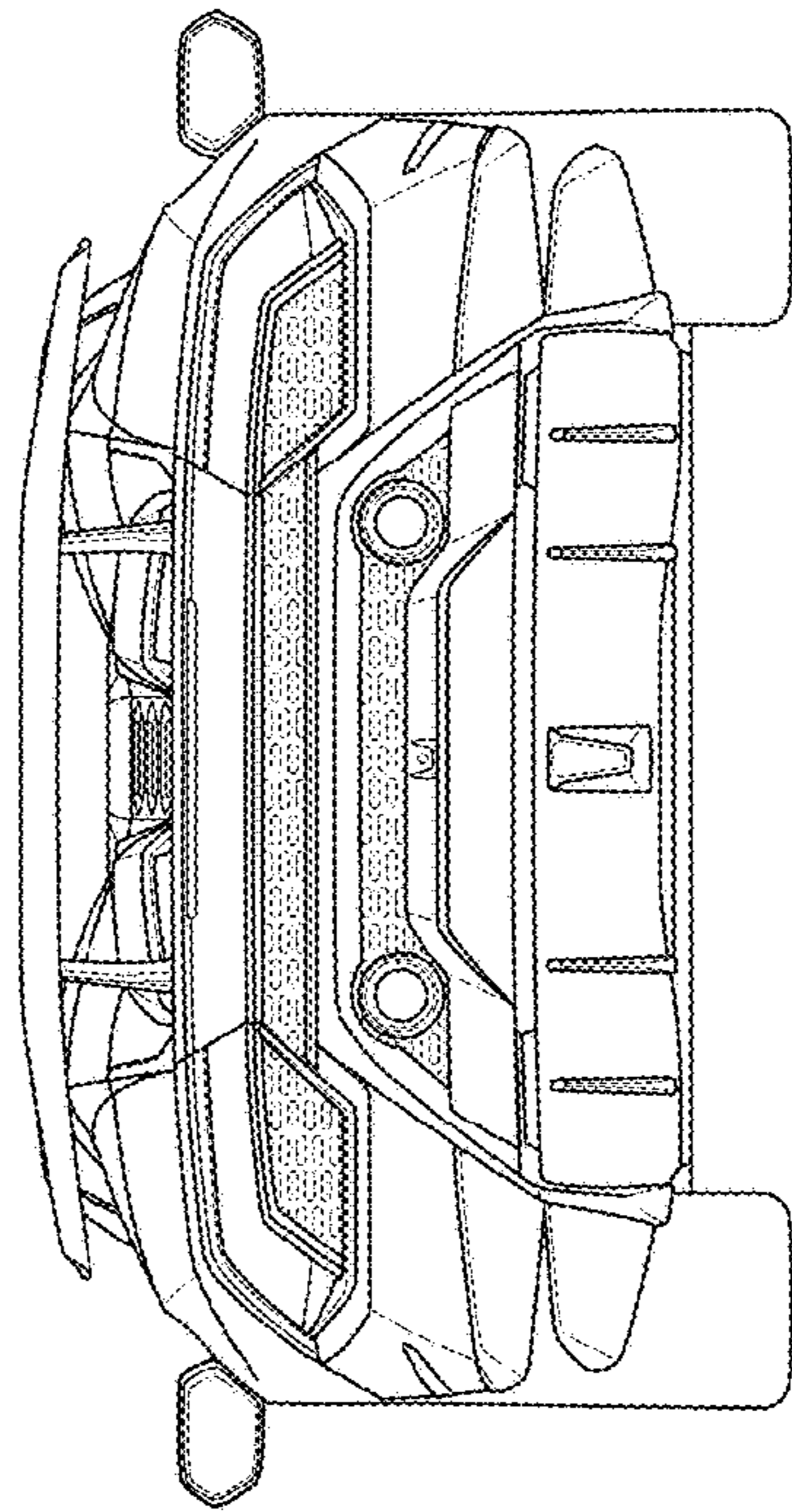


FIG. 5

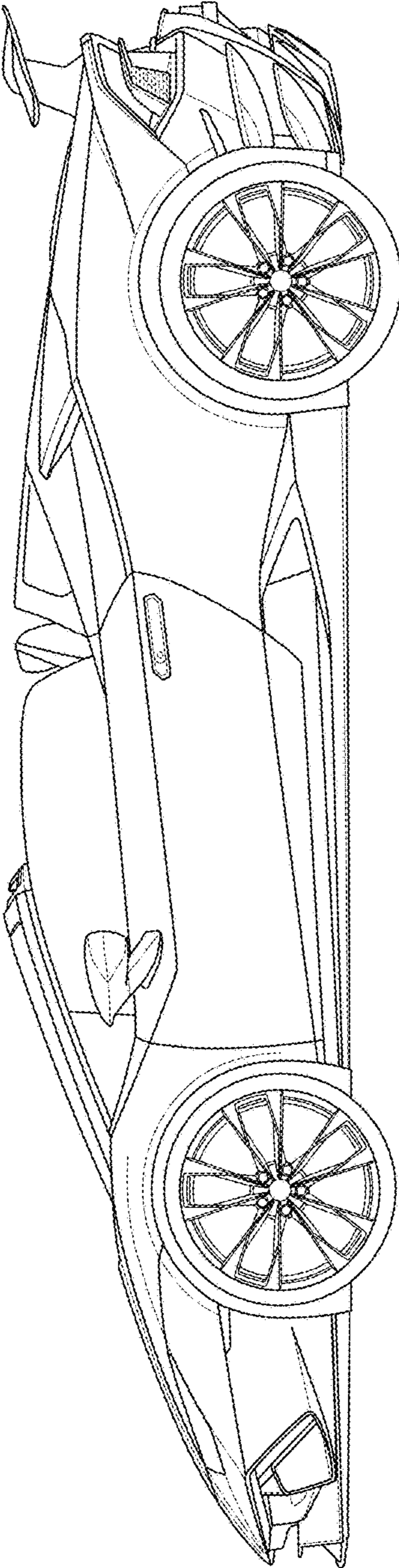


FIG. 6

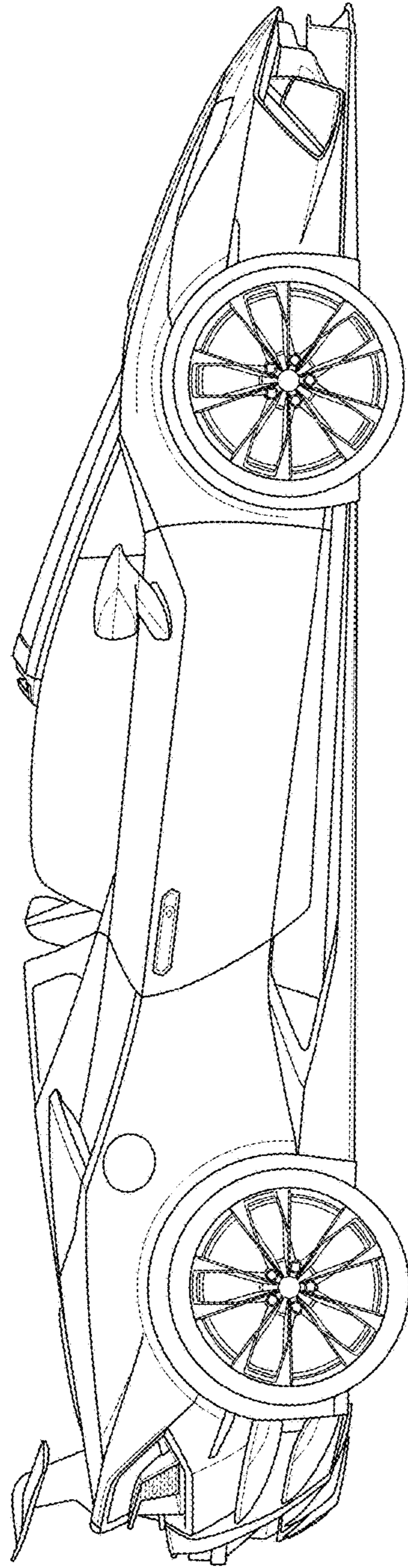


FIG. 7

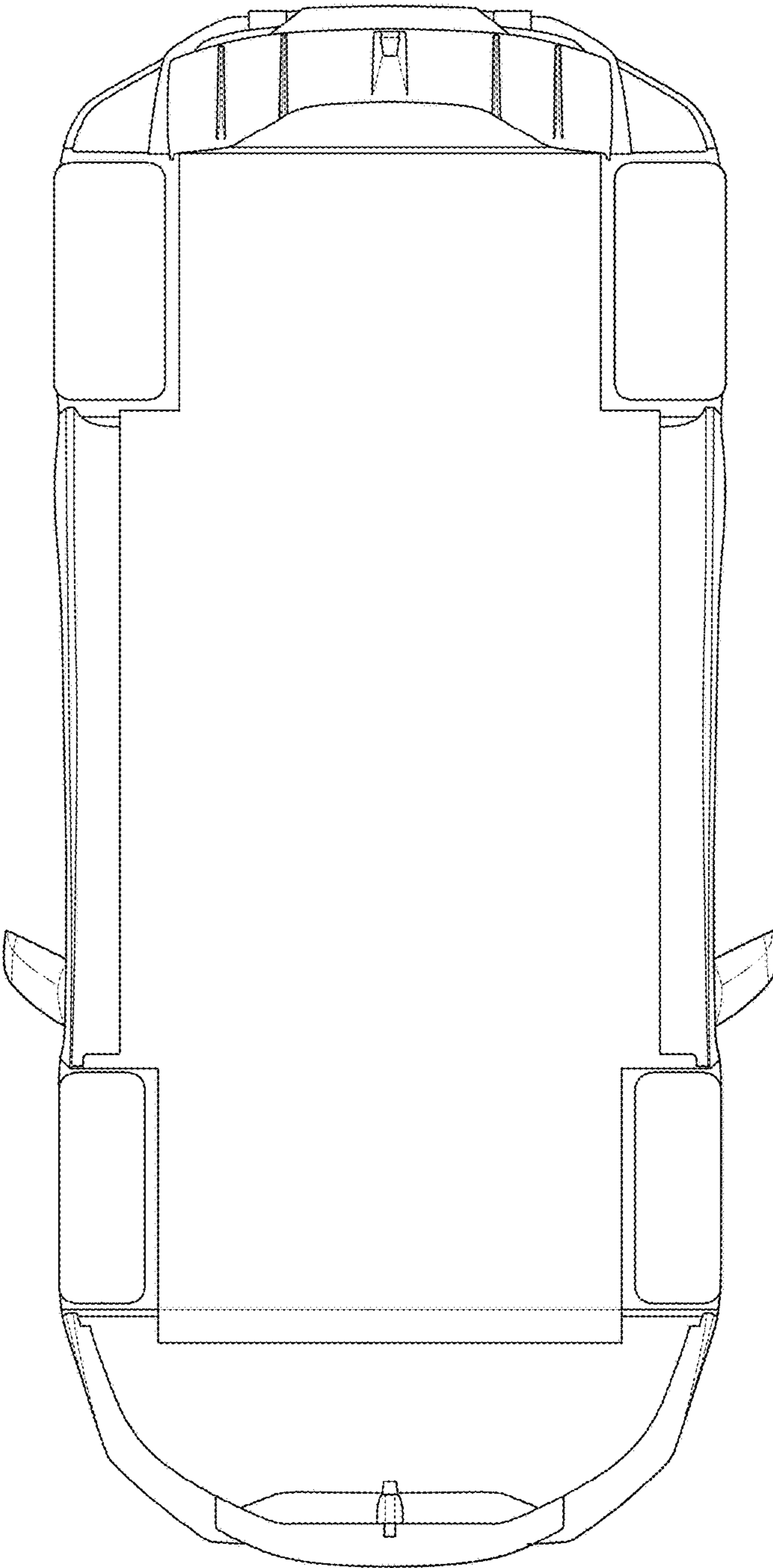


FIG. 8