

US00D869335S

(12) **United States Design Patent** (10) **Patent No.:** **US D869,335 S**  
**Takahashi et al.** (45) **Date of Patent:** **\*\* Dec. 10, 2019**

(54) **PASSENGER CARRYING CAR**  
(71) Applicants: **CENTRAL JAPAN RAILWAY COMPANY**, Nagoya, Aichi (JP); **NIPPON SHARYO, LTD.**, Nagoya, Aichi (JP)  
(72) Inventors: **Yukio Takahashi**, Nagoya (JP); **Yuya Futamura**, Nagoya (JP); **Koichi Hayashi**, Nagoya (JP); **Hiroki Tanaka**, Nagoya (JP); **Naoya Ozawa**, Nagoya (JP); **Naoyuki Maruyama**, Nagoya (JP)  
(73) Assignees: **CENTRAL JAPAN RAILWAY COMPANY**, Nagoya (JP); **NIPPON SHARYO, LTD.**, Nagoya (JP)  
(\*\*) Term: **15 Years**  
(21) Appl. No.: **29/547,850**  
(22) Filed: **Dec. 8, 2015**

**Related U.S. Application Data**

(62) Division of application No. 29/455,473, filed on May 21, 2013, now Pat. No. Des. 757,605.

**Foreign Application Priority Data**

Nov. 21, 2012 (JP) ..... 2012-028580  
Nov. 21, 2012 (JP) ..... 2012-028582  
(Continued)

(51) **LOC (12) Cl.** ..... **12-03**

(52) **U.S. Cl.**  
USPC ..... **D12/42**

(58) **Field of Classification Search**  
USPC .... D12/36-51, 320, 195, 345, 99; D11/155;  
D5/63; 181/290; 105/404, 396, 397;  
D25/168-164, 58

(Continued)

(56) **References Cited**

U.S. PATENT DOCUMENTS

D118,272 S 12/1939 Reed  
2,217,688 A 10/1940 Larson et al.  
D128,507 S 7/1941 Purnell  
2,284,356 A 5/1942 Arenberg

(Continued)

OTHER PUBLICATIONS

Oct. 4, 2018 Office Action issued in U.S. Appl. No. 29/547,843.

*Primary Examiner* — T Chase Nelson

*Assistant Examiner* — Ania Aman

(74) *Attorney, Agent, or Firm* — Oliff PLC

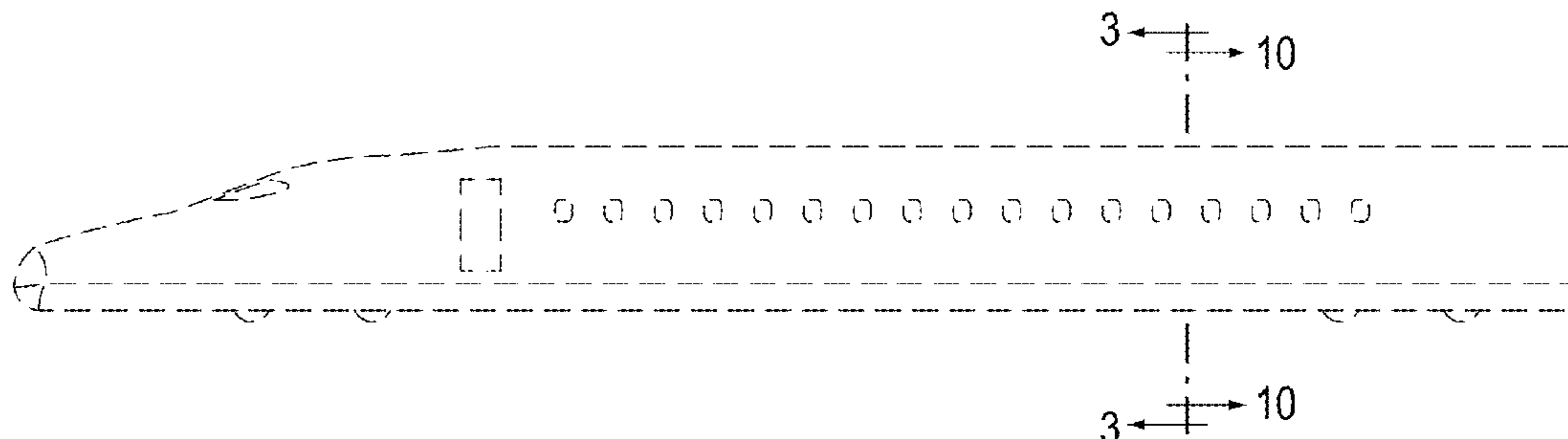
(57) **CLAIM**

The ornamental design for a passenger carrying car, as shown and described.

**DESCRIPTION**

FIG. 1 is a side view of a passenger carrying car;  
FIG. 2 is a top view thereof;  
FIG. 3 is an enlarged cross sectional view thereof taken along lines 3-3 in FIG. 1;  
FIG. 4 is a partially enlarged view thereof defined by the areas 4' in FIG. 2 and taken along the lines 4-4 in FIG. 2;  
FIG. 5 is a partially enlarged view thereof defined by the areas 5' in FIG. 2 and taken along the lines 5-5 in FIG. 2;  
FIG. 6 is a partially enlarged cross sectional view thereof defined by the area 6' in FIG. 4;  
FIG. 7 is a partially enlarged cross sectional view thereof defined by the area 7' in FIG. 2 and taken along the lines 7-7 in FIG. 3;  
FIG. 8 is a partially enlarged cross sectional view thereof defined by the area 8' in FIG. 7;  
FIG. 9 is a partially enlarged view thereof defined by the broken line box 9 in FIG. 7;  
FIG. 10 is a partially enlarged cross sectional view thereof taken along the lines 10-10 in FIG. 1; and,  
FIG. 11 is a partially enlarged cross sectional view thereof defined by the areas 11' and 11'' in FIG. 10.

(Continued)



The broken lines depict environmental subject matter only (56)  
and form no part of the claimed design.

**1 Claim, 8 Drawing Sheets**

(30) **Foreign Application Priority Data**

Nov. 21, 2012 (JP) ..... 2012-028583  
Nov. 21, 2012 (JP) ..... 2012-028584  
Nov. 21, 2012 (JP) ..... 2012-028585

(58) **Field of Classification Search**

CPC ..... B61D 17/12; B61D 17/06; B61D 17/02;  
B61D 17/005; B61D 27/00; B61D  
17/045; B61D 17/00; B61D 29/00; B61D  
17/041; B61D 17/07; Y02T 30/32; B60Q  
3/25; B60Q 3/0256; B60Q 3/02

See application file for complete search history.

**References Cited**

U.S. PATENT DOCUMENTS

D146,982 S	6/1947	Berteling	
2,494,690 A *	1/1950	Cerny .....	B64D 9/00 105/325
2,882,836 A	4/1959	Dean	
2,887,802 A	5/1959	Burmeister	
2,925,050 A *	2/1960	Candlin, Jr. ....	B61D 17/08 105/397
3,046,179 A *	7/1962	Stallard .....	B29C 65/04 156/219
D209,877 S *	1/1968	Sundberg .....	D12/195
4,993,329 A *	2/1991	Takeich .....	B61D 17/041 105/396
D437,810 S *	2/2001	Runfolo .....	D12/167
D721,445 S *	1/2015	Kugler .....	D25/157
2006/0219716 A1	10/2006	Todori et al.	
2015/0314794 A1 *	11/2015	Takahashi .....	B61D 17/18 105/397

\* cited by examiner

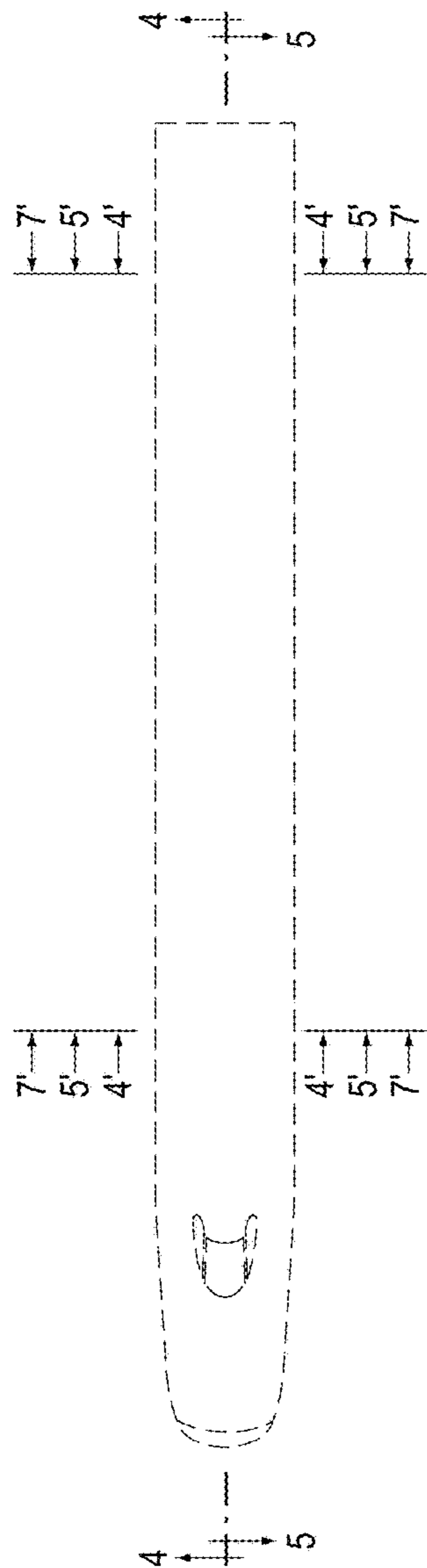


FIG. 2

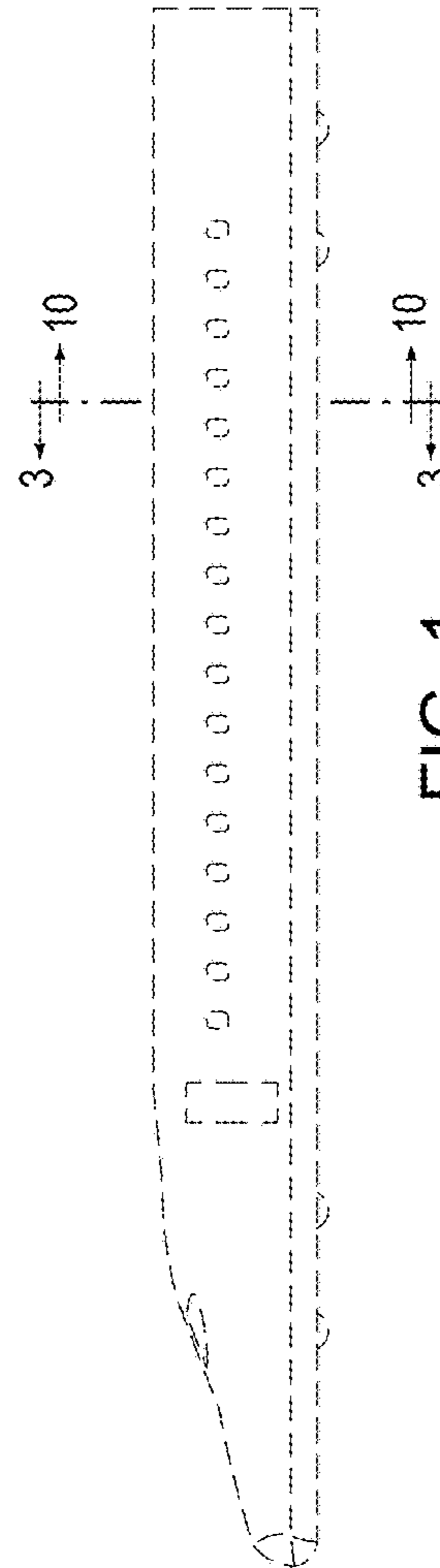


FIG. 1

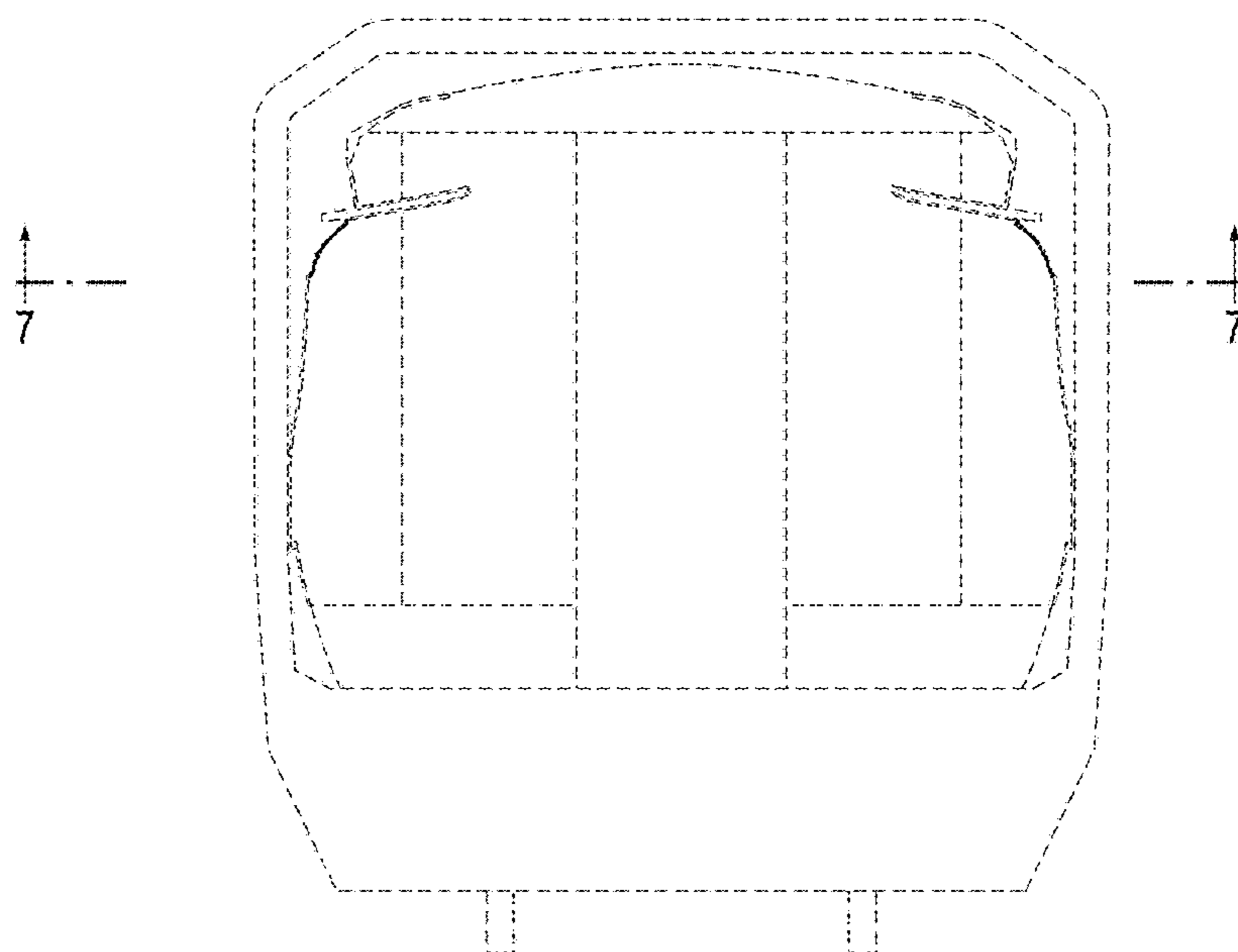


FIG. 3

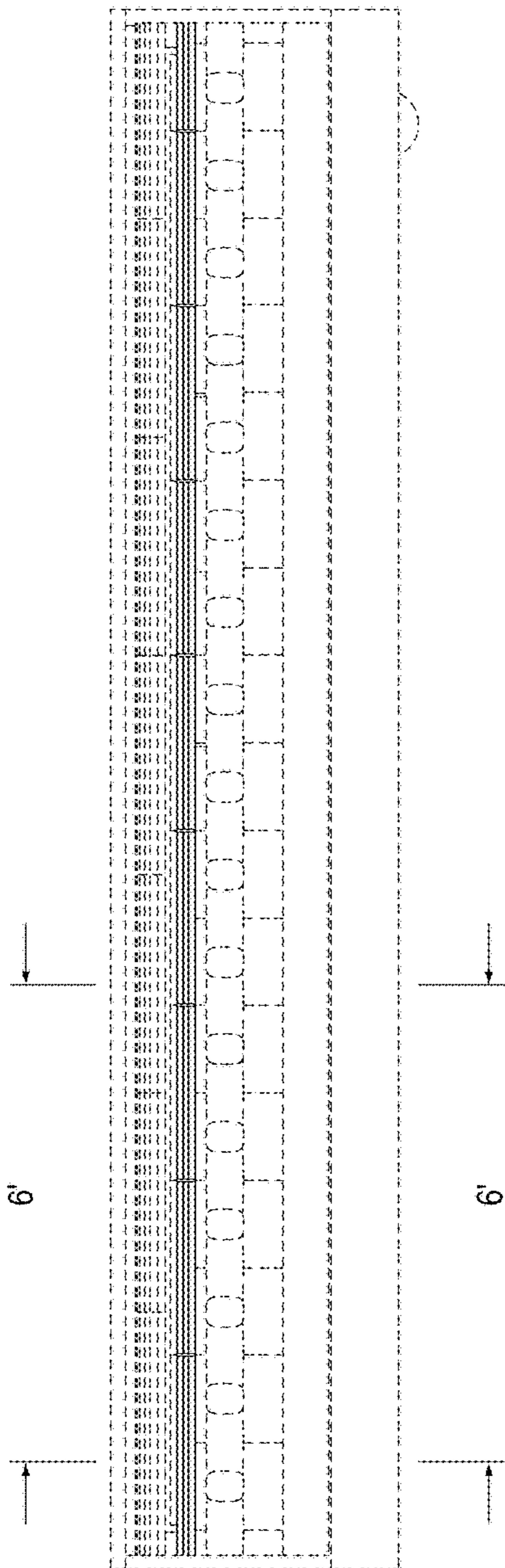


FIG. 4

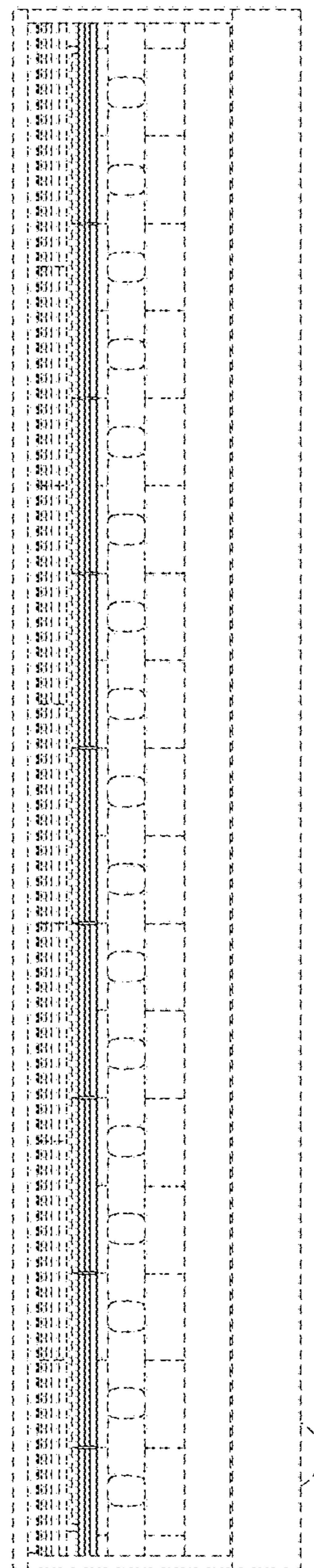


FIG. 5

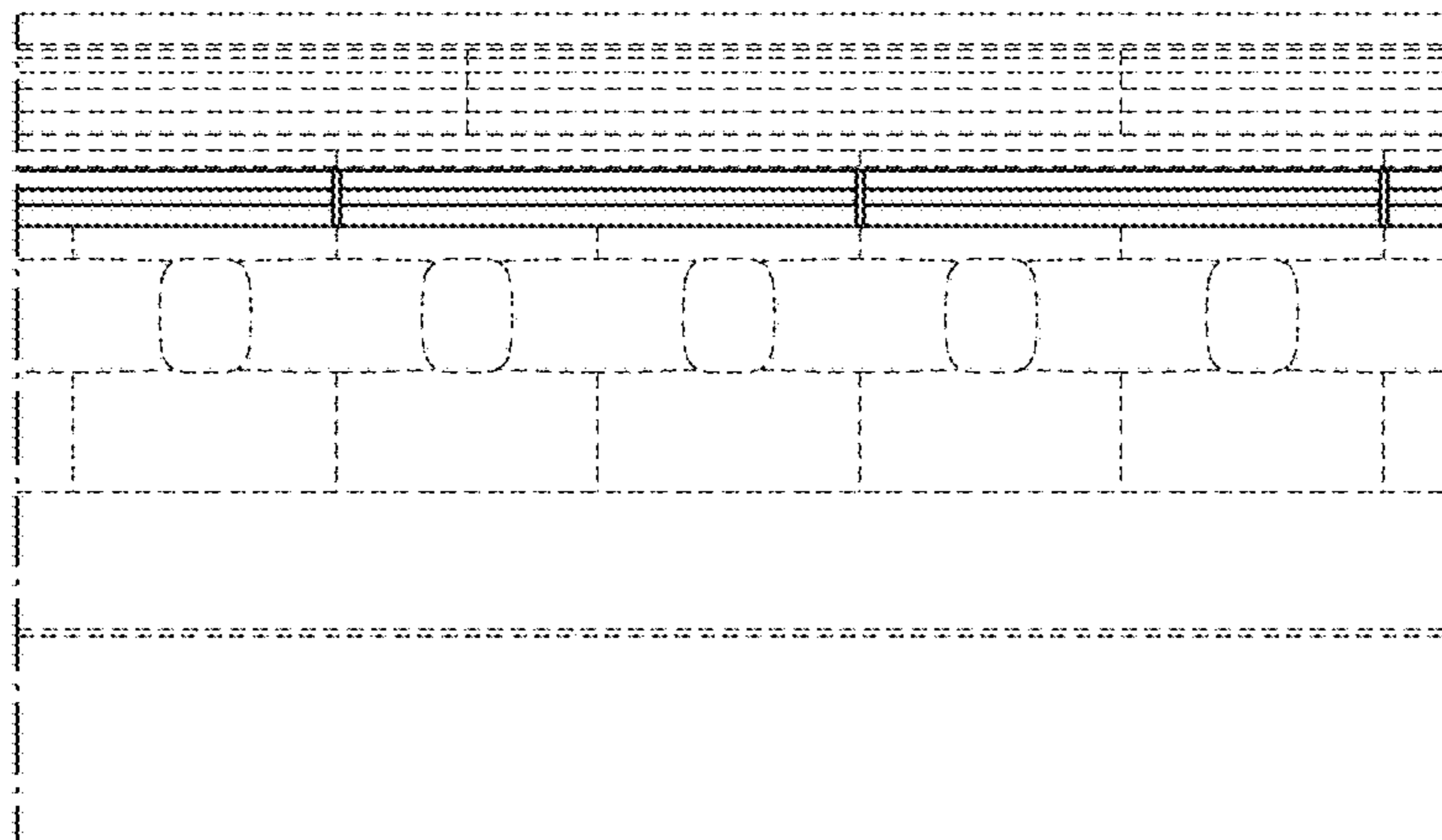


FIG. 6

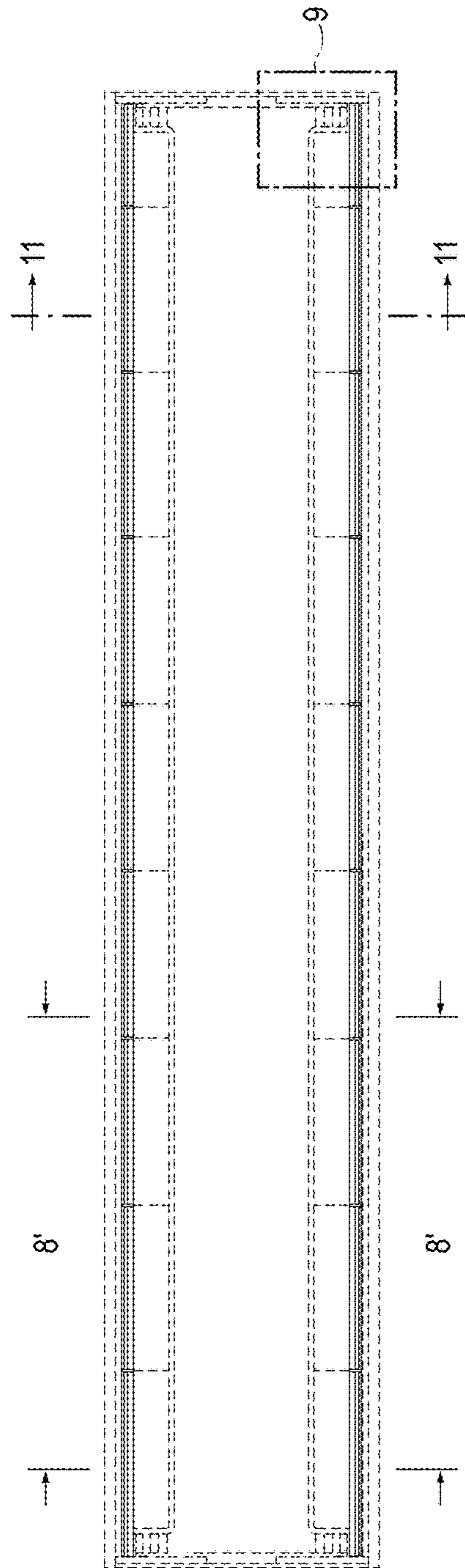


FIG. 7

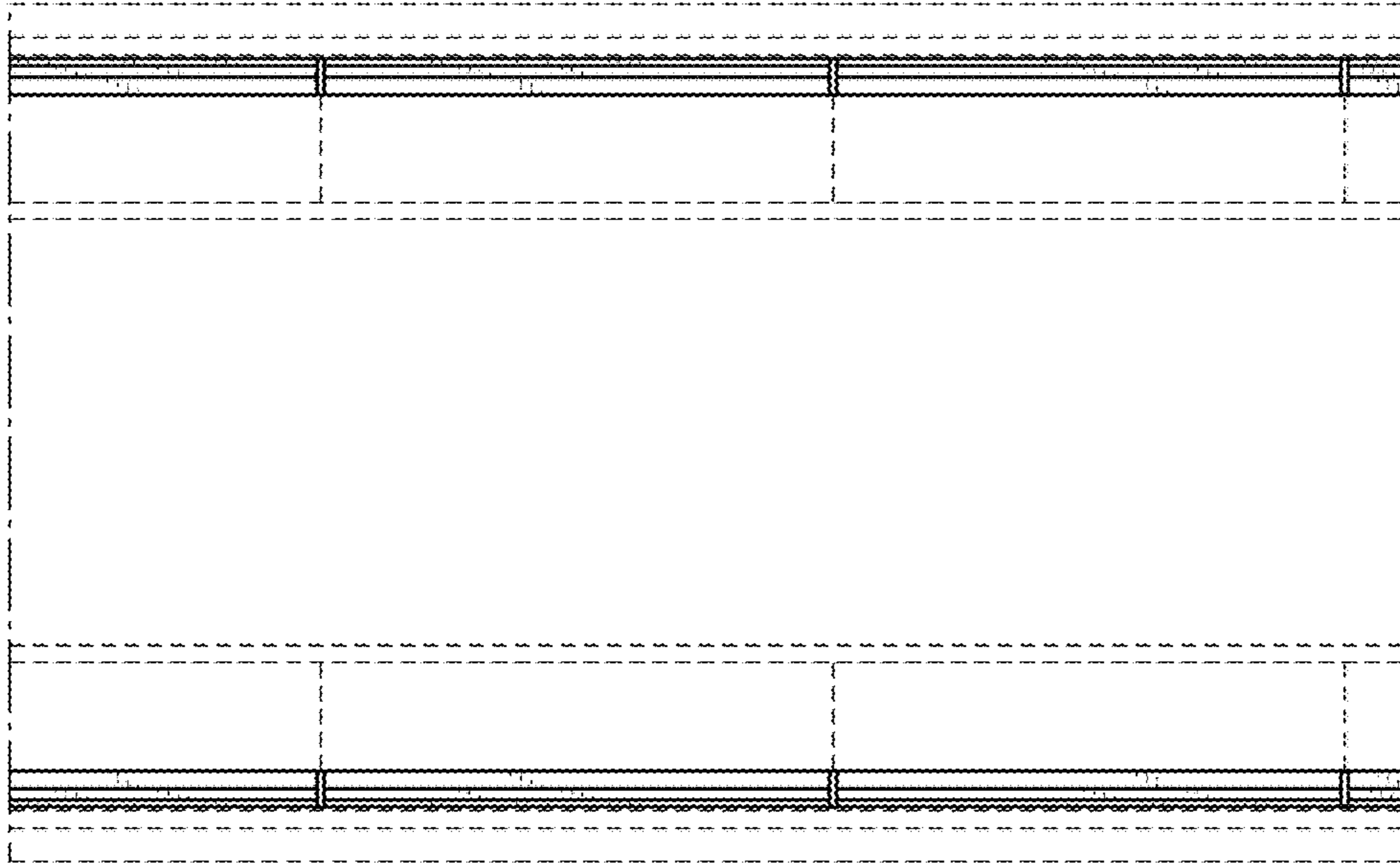


FIG. 8

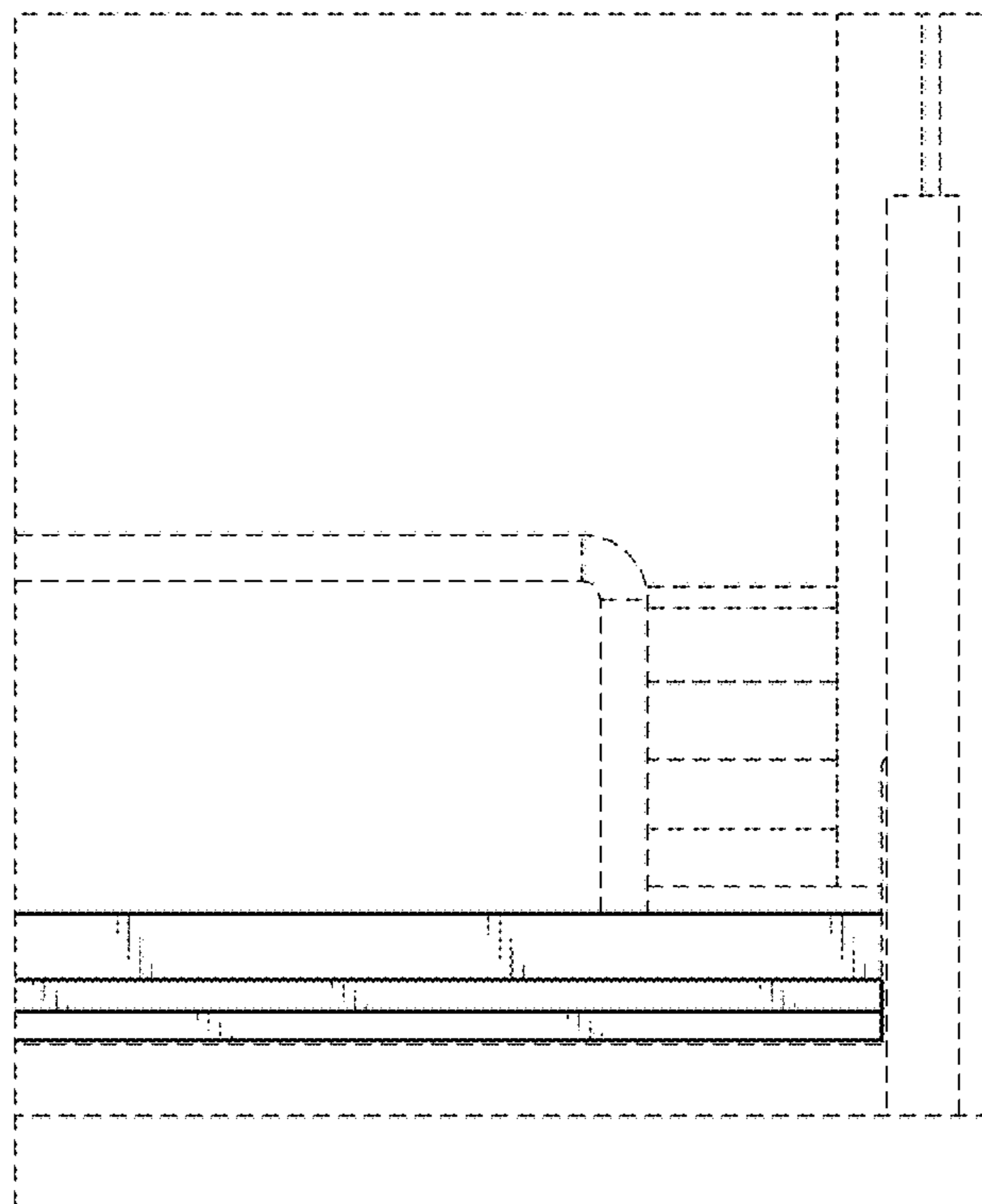
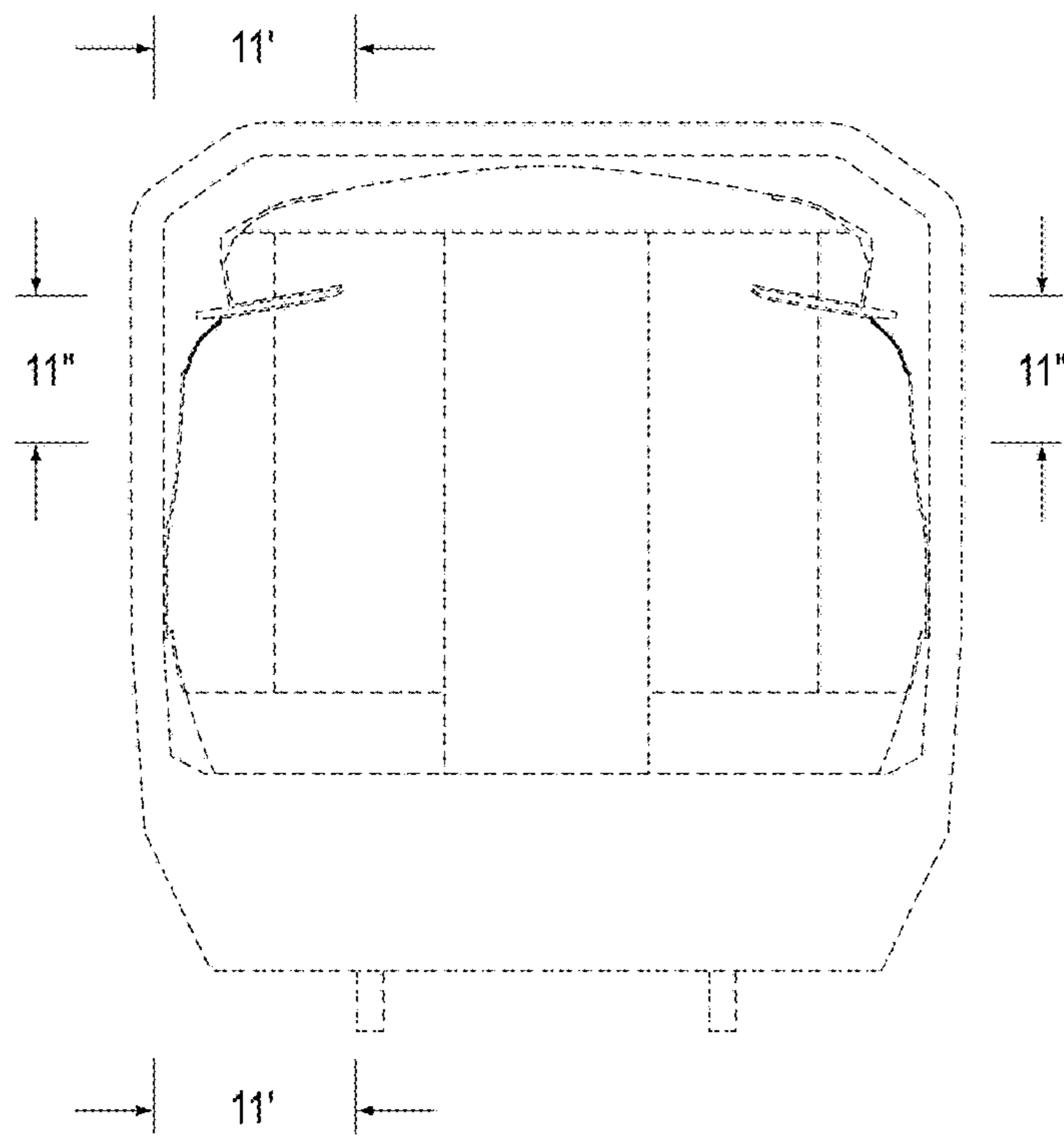


FIG. 9





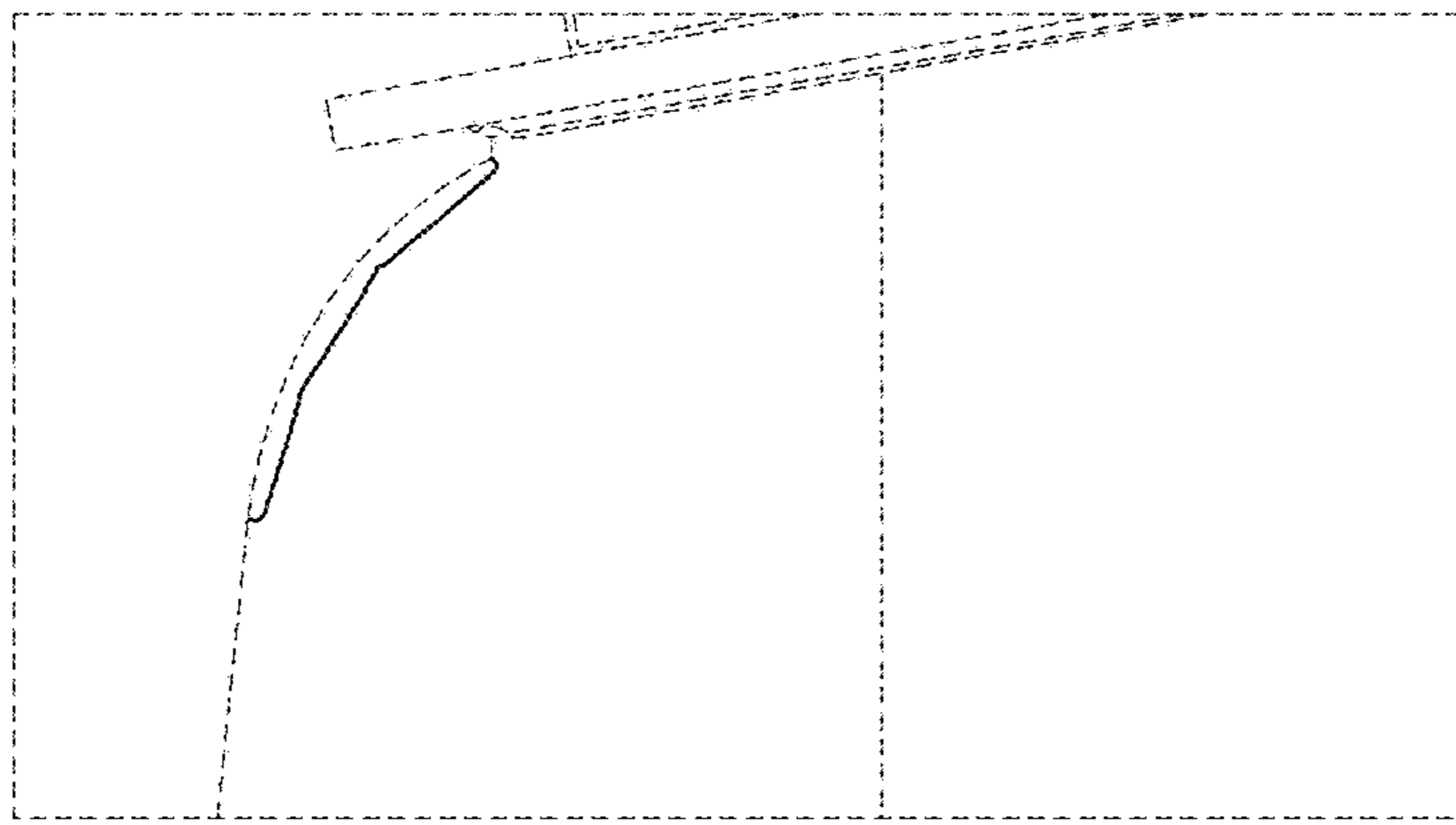


FIG. 11