

US00D869334S

(12) **United States Design Patent** (10) **Patent No.:** **US D869,334 S**
Stroppiana (45) **Date of Patent:** **** Dec. 10, 2019**

(54) **FLYING CAMERA DRONE**
(71) Applicant: **AIRSELFIE HOLDINGS LTD,**
London (GB)
(72) Inventor: **Marco Stroppiana, Roddi (IT)**
(73) Assignee: **AIRSELFIE HOLDINGS LIMITED,**
London (GB)

D813,761 S * 3/2018 Balaresque D12/174
2016/0340021 A1* 11/2016 Zhang B64C 27/08
2016/0376004 A1* 12/2016 Claridge B64C 19/00
701/3
2017/0057630 A1* 3/2017 Schwaiger B64C 3/385
2017/0073065 A1* 3/2017 Von Novak B64C 27/08
2017/0081014 A1* 3/2017 Stock B64C 1/22
2017/0085840 A1* 3/2017 Mizushima H04N 5/2257
2017/0113816 A1* 4/2017 High B64C 39/022

(**) Term: **15 Years**
(21) Appl. No.: **35/503,686**
(22) Filed: **May 10, 2017**

OTHER PUBLICATIONS

AirSelfie kickstarter.com (Year: 2016).*

* cited by examiner

(80) **Hague Agreement Data**
Int. Filing Date: **May 10, 2017**
Int. Reg. No.: **DM/097553**
Int. Reg. Date: **May 10, 2017**
Int. Reg. Pub. Date: **Sep. 22, 2017**

Primary Examiner — Richard E Chilcot
(74) *Attorney, Agent, or Firm* — Heslin Rothenberg
Farley & Mesiti P.C.; Victor A. Cardona, Esq.

(51) **LOC (12) Cl.** **12-01**
(52) **U.S. Cl.**
USPC **D12/16.1**
CPC **B64C 1/30 (2013.01)**
(58) **Field of Classification Search**
USPC D12/16.1, 319–345; D21/436, 441–453
CPC B64C 1/30; B64C 27/08
See application file for complete search history.

(57) **CLAIM**

The ornamental design for a flying camera drone, as shown and described.

(56) **References Cited**

DESCRIPTION

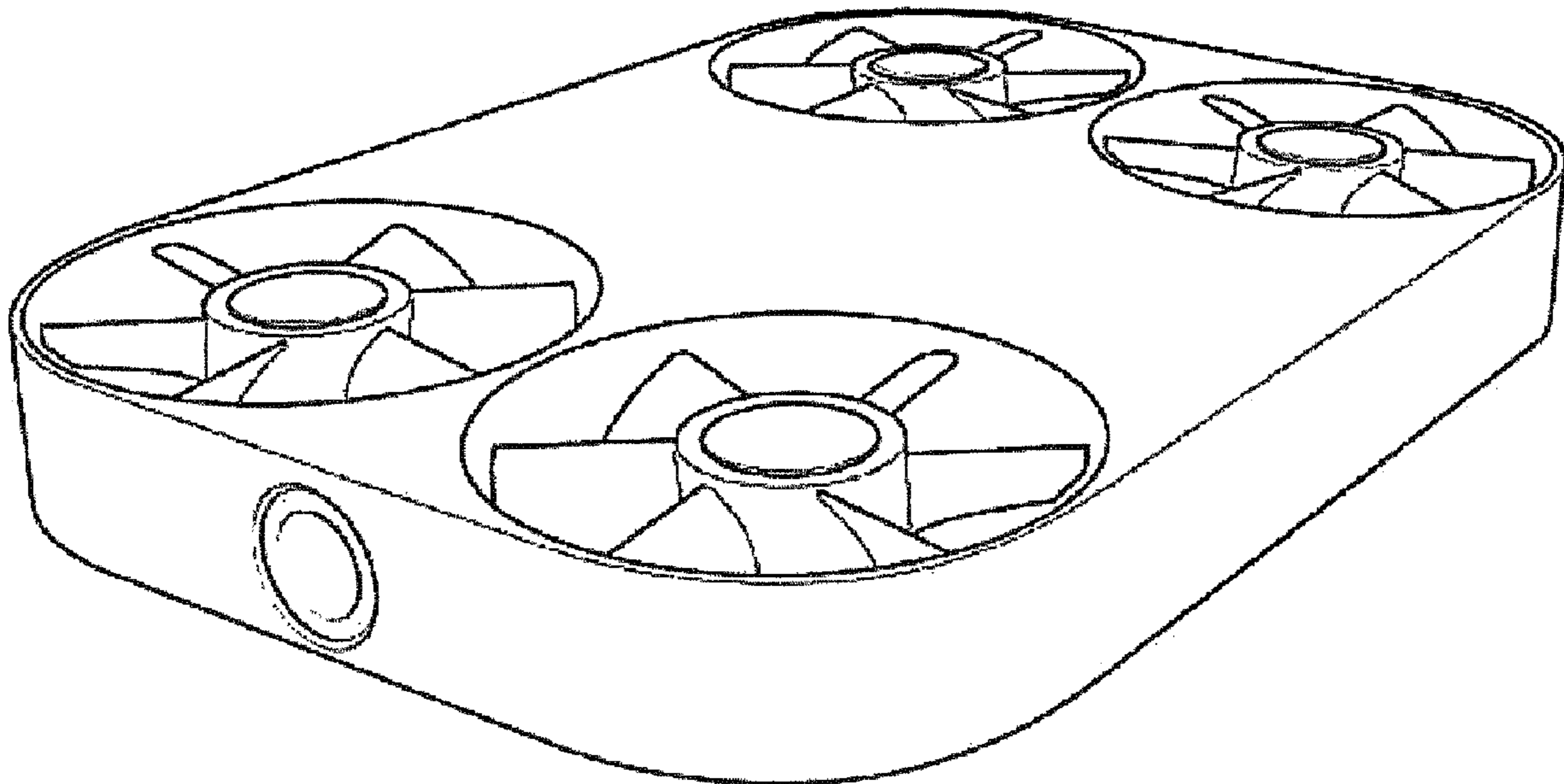
U.S. PATENT DOCUMENTS

D708,272 S * 7/2014 Schmelter D12/16.1
D747,775 S * 1/2016 Colin D12/16.1
D772,756 S * 11/2016 Gambus D12/16.1
D806,606 S * 1/2018 Morrison D12/16.1
D811,264 S * 2/2018 Zhang D12/16.1

Flying camera drone
Fig. 1.1 is a front perspective view of the flying camera drone showing our new design;
Fig. 1.2 is a top plan view thereof;
Fig. 1.3 is a bottom plan view thereof;
Fig. 1.4 is a front view thereof;
Fig. 1.5 is a rear view thereof;
Fig. 1.6 is a left side view thereof; and
Fig. 1.7 is a right side view thereof.

The broken lines shown in the figures represent portions of the flying camera drone that form no part of the claimed design.

1 Claim, 7 Drawing Sheets



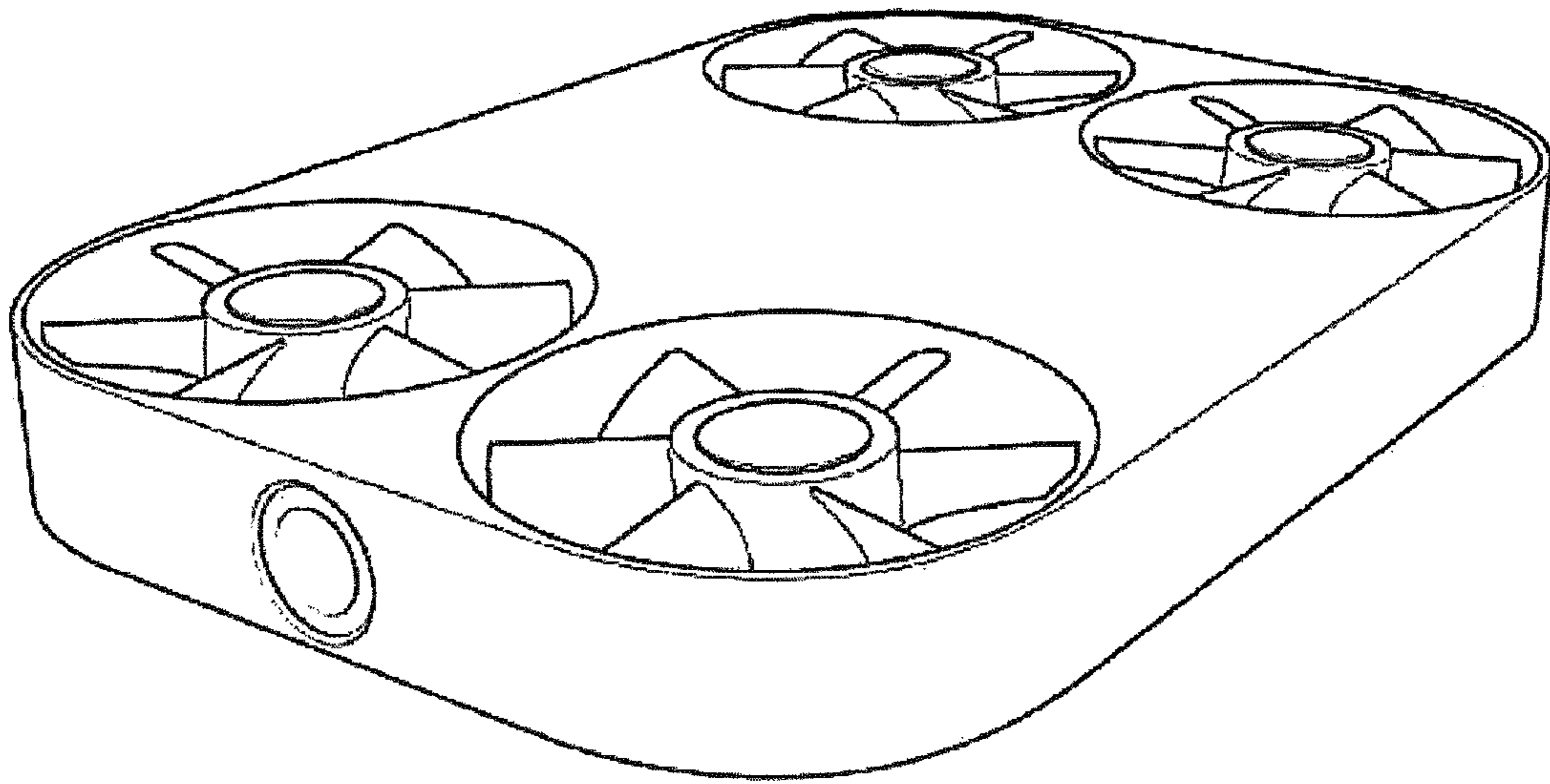


FIG. 1.1

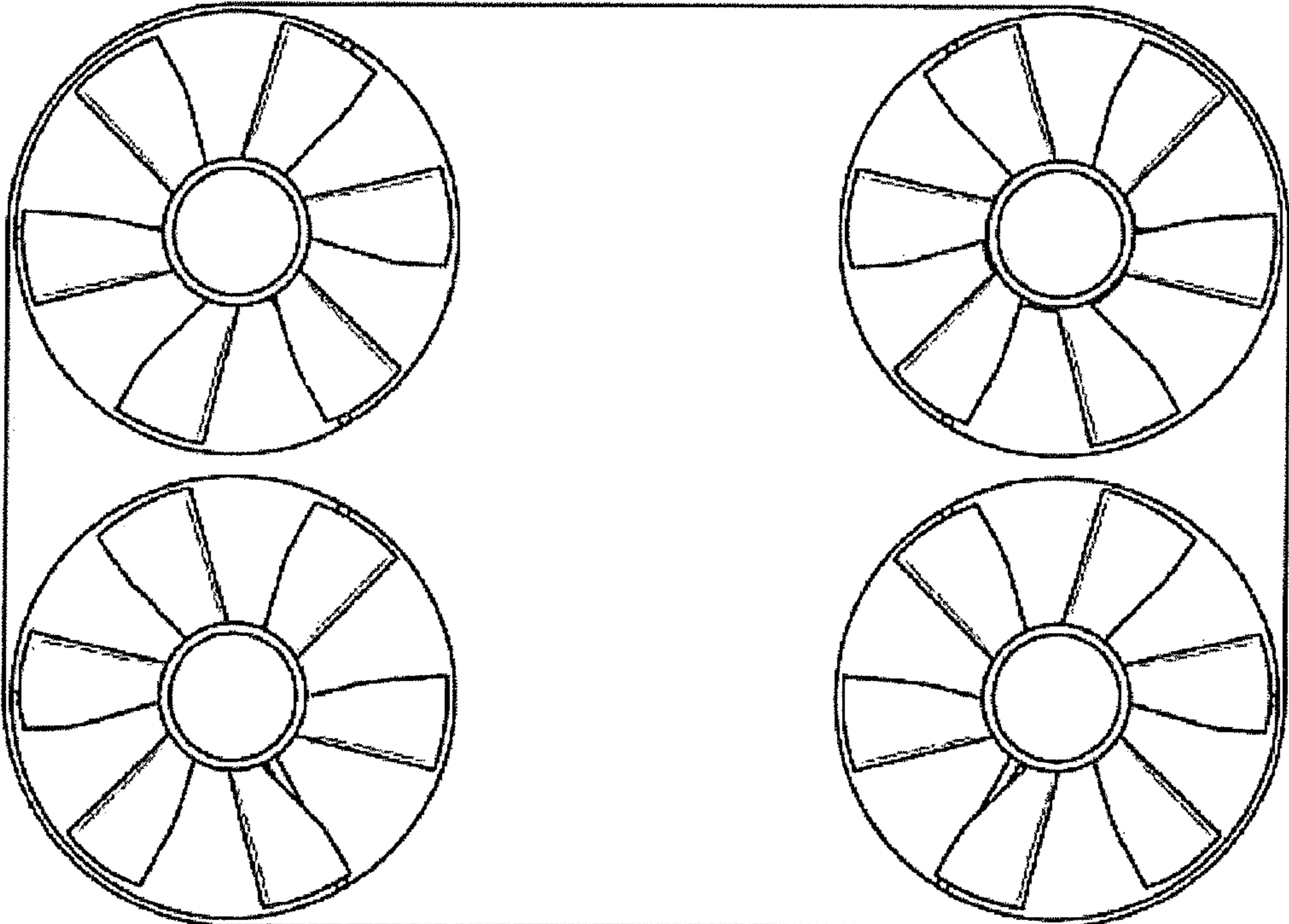


FIG. 1.2

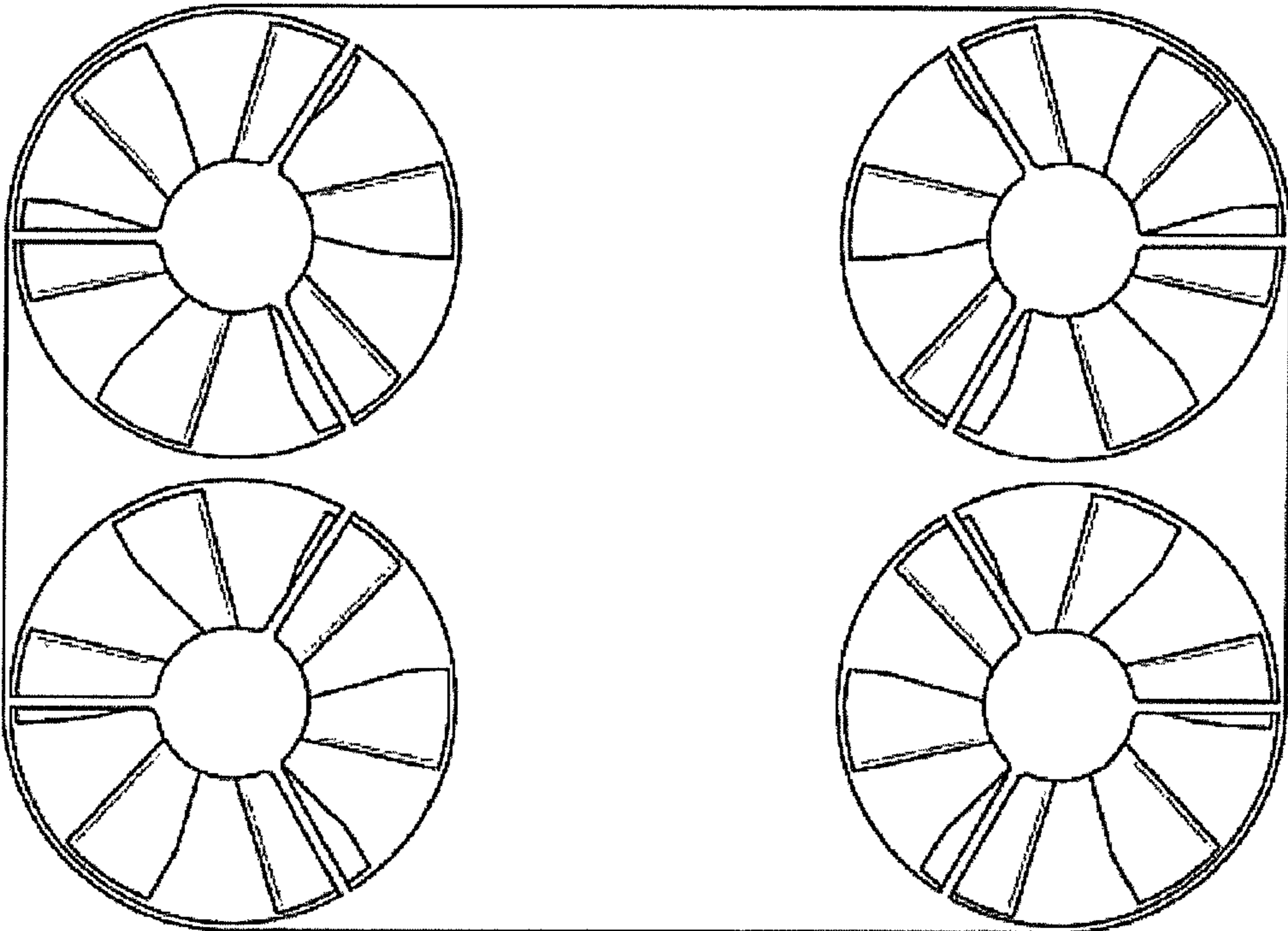


FIG. 1.3



FIG. 1.4



FIG. 1.5

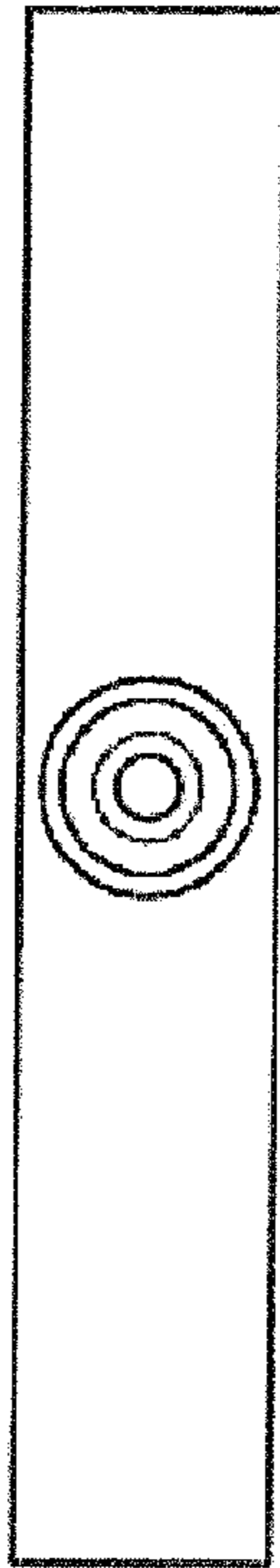


FIG. 1.6

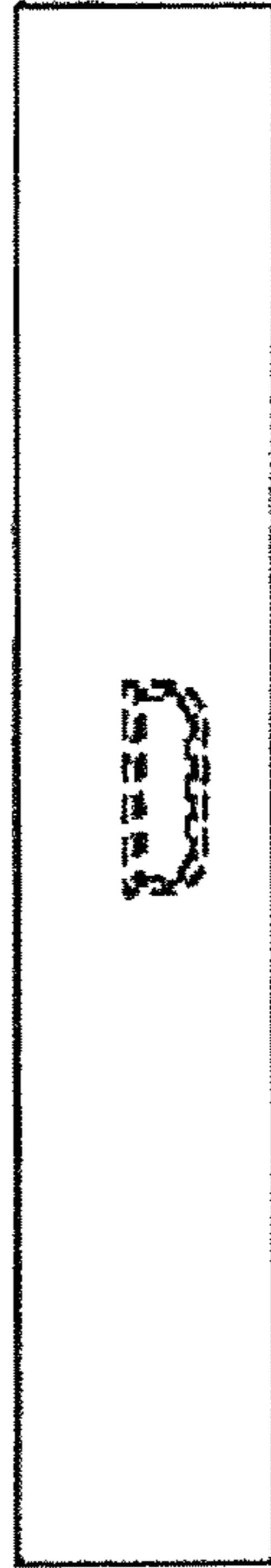


FIG. 1.7