



US00D869332S

(12) **United States Design Patent** (10) **Patent No.:** **US D869,332 S**  
**Gander et al.** (45) **Date of Patent:** **\*\* Dec. 10, 2019**

(54) **VEHICLE**

(71) Applicant: **Oshkosh Corporation**, Oshkosh, WI (US)

(72) Inventors: **Jesse D. Gander**, Larsen, WI (US);  
**Devon C. Palmer**, Oshkosh, WI (US);  
**Chad K. Smith**, Omro, WI (US);  
**McCall Groen**, Oshkosh, WI (US);  
**Neil E. DeKarske**, Oshkosh, WI (US)

(73) Assignee: **Oshkosh Corporation**, Oshkosh, WI (US)

(\*\*) Term: **15 Years**

(21) Appl. No.: **29/630,131**

(22) Filed: **Dec. 19, 2017**

(51) **LOC (12) Cl.** ..... **12-13**

(52) **U.S. Cl.**  
USPC ..... **D12/14; D12/12**

(58) **Field of Classification Search**  
USPC ..... D12/1, 2, 12, 14, 15, 16, 99, 87, 107, 3  
CPC ..... B62D 63/025; B62D 63/04; B62D 35/00;  
B62D 39/00; B62D 47/00; B62D 47/003;  
B62D 63/02; B62D 33/0617; B62D  
33/00; A01B 59/02; B60L 200/22; B60Y  
2200/86; B60Y 2200/91; B60P 1/00;  
B60P 1/003; B60R 21/13

See application file for complete search history.

(56) **References Cited**

**U.S. PATENT DOCUMENTS**

1,088,583	A	2/1914	Johnson
2,400,588	A	5/1946	McArthur
2,400,589	A	5/1946	McArthur
2,400,590	A	5/1946	Meyerhoefer
6,520,494	B1	2/2003	Andersen et al.
6,779,806	B1	8/2004	Breitbach et al.
7,073,620	B2	7/2006	Braun et al.
7,258,194	B2	8/2007	Braun et al.

D572,642	S	7/2008	Steckling et al.
7,472,914	B2	1/2009	Anderson et al.
9,045,014	B1	6/2015	Verhoff et al.
9,328,986	B1	5/2016	Pennau et al.
D767,444	S *	9/2016	Chun ..... D12/14
9,656,640	B1	5/2017	Verhoff et al.

(Continued)

**FOREIGN PATENT DOCUMENTS**

EP	1 633 619	6/2004
WO	WO-2004/110849	12/2004

(Continued)

**OTHER PUBLICATIONS**

U.S. Appl. No. 29/602,245, filed Apr. 28, 2017, Oshkosh Defense, LLC.

(Continued)

*Primary Examiner* — T Chase Nelson

*Assistant Examiner* — Ania Aman

(74) *Attorney, Agent, or Firm* — Foley & Lardner LLP

(57) **CLAIM**

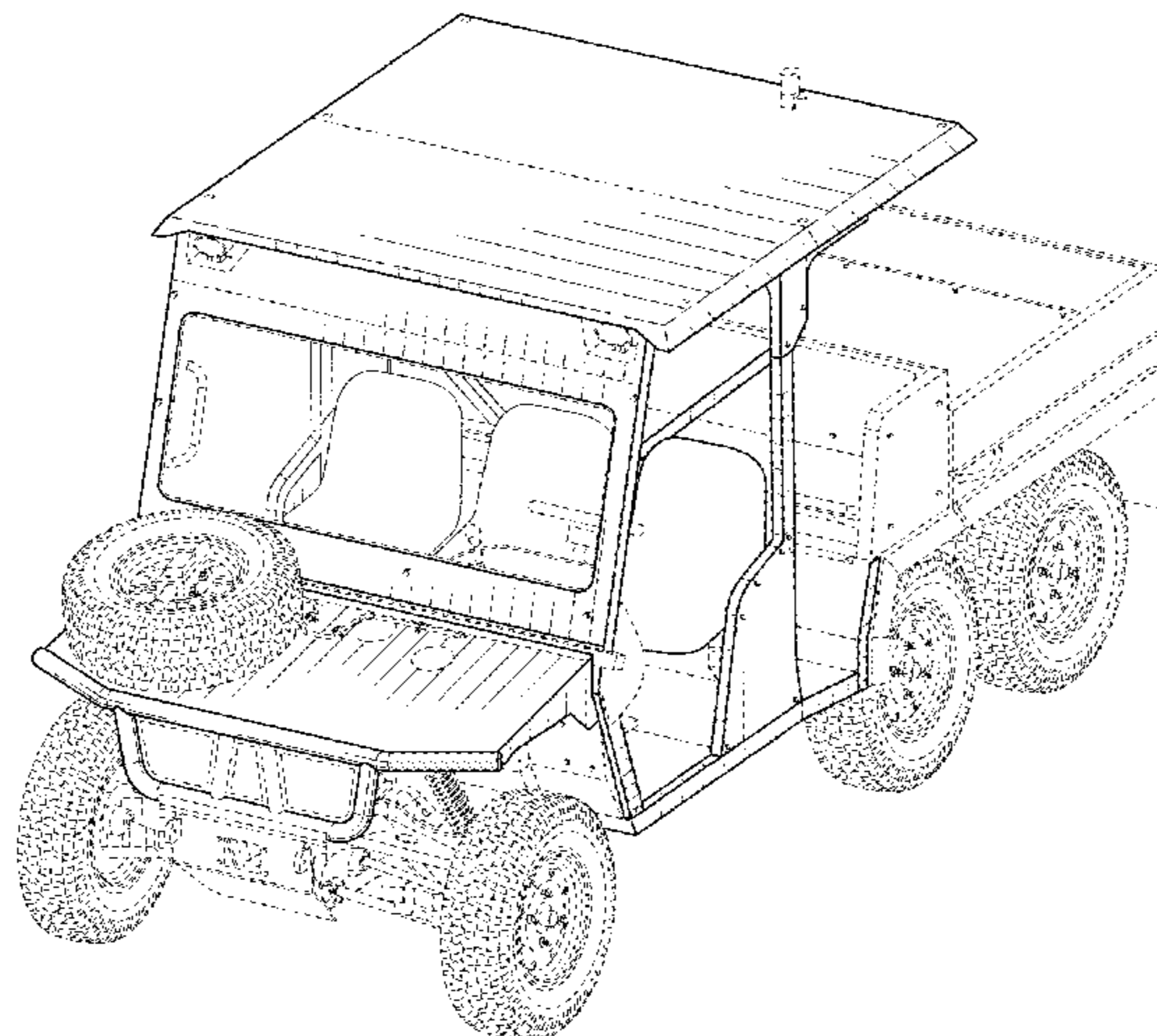
We claim the ornamental design for a vehicle, as shown and described.

**DESCRIPTION**

FIG. 1 is a front perspective view of the claimed design; FIG. 2 is a rear perspective view of the claimed design; FIG. 3 is a front view of the claimed design; FIG. 4 is a rear view of the claimed design; FIG. 5 is a right side view of the claimed design; FIG. 6 is a left side view of the claimed design; FIG. 7 is a top view of the claimed design; and, FIG. 8 is a bottom view of the claimed design.

The broken lines shown in the drawings are for the purpose of illustrating portions of the vehicle that form no part of the claimed design.

**1 Claim, 7 Drawing Sheets**



(56)

**References Cited**

U.S. PATENT DOCUMENTS

D800,015 S \* 10/2017 Lyons ..... D12/16  
D810,619 S \* 2/2018 Hashimoto ..... D12/14  
2009/0174158 A1 7/2009 Anderson et al.  
2012/0032465 A1\* 2/2012 Morita ..... B60P 3/423  
296/26.09  
2012/0193932 A1\* 8/2012 King ..... B60P 3/423  
296/26.11  
2016/0311253 A1 10/2016 Palmer et al.  
2017/0253221 A1 9/2017 Verhoff et al.

FOREIGN PATENT DOCUMENTS

WO WO-2006/093835 9/2006  
WO WO-2016/172250 10/2016

OTHER PUBLICATIONS

U.S. Appl. No. 29/602,277, filed Apr. 28, 2017, Oshkosh Defense, LLC.  
U.S. Appl. No. 29/621,891, filed Oct. 12, 2017, Oshkosh Corporation.  
U.S. Appl. No. 29/621,906, filed Oct. 12, 2017, Oshkosh Corporation.  
U.S. Appl. No. 29/621,918, filed Oct. 12, 2017, Oshkosh Corporation.  
U.S. Appl. No. 29/621,958, filed Oct. 12, 2017, Oshkosh Corporation.  
U.S. Appl. No. 29/630,131, filed Dec. 19, 2017, Oshkosh Corporation.

\* cited by examiner

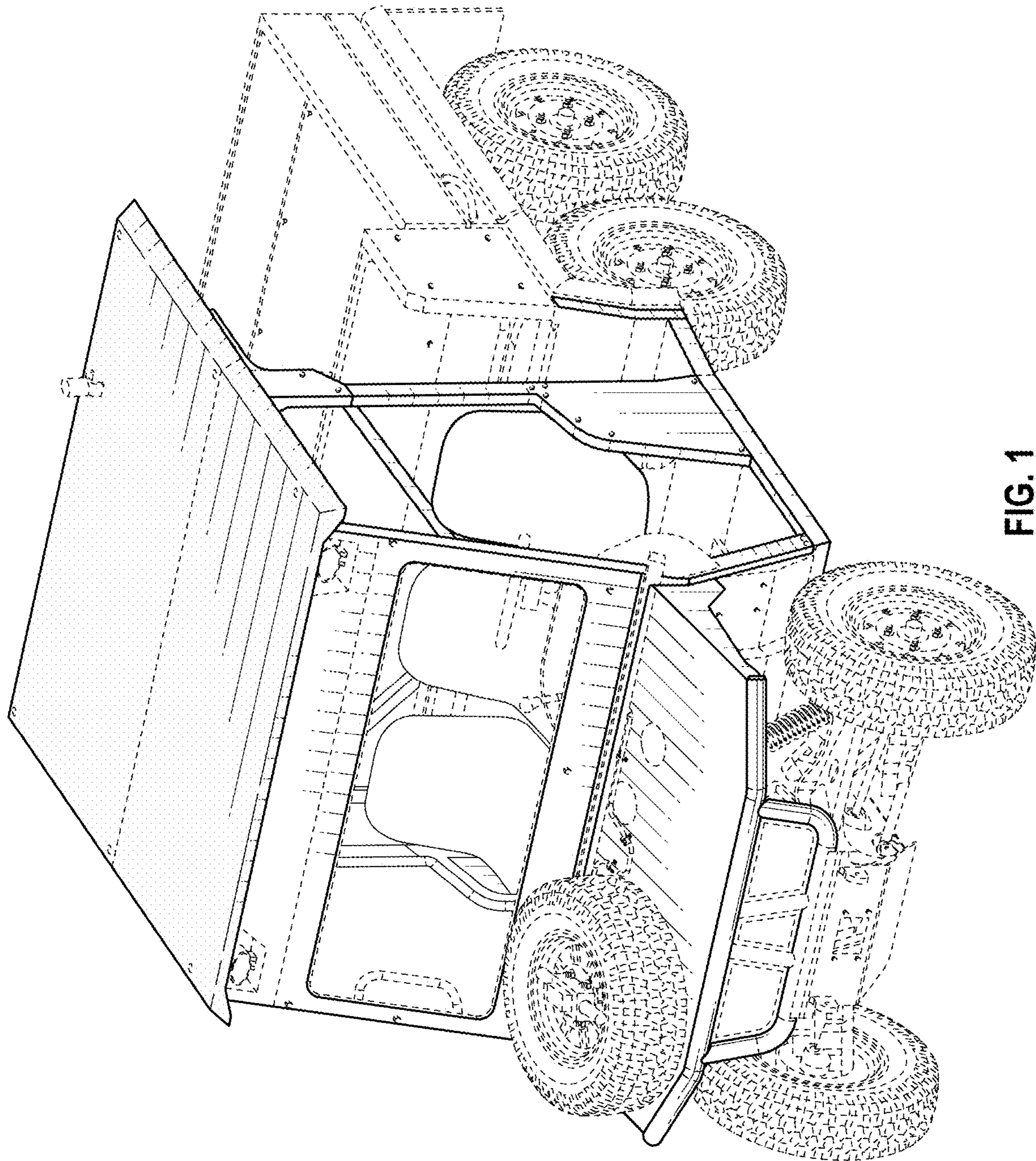


FIG. 1

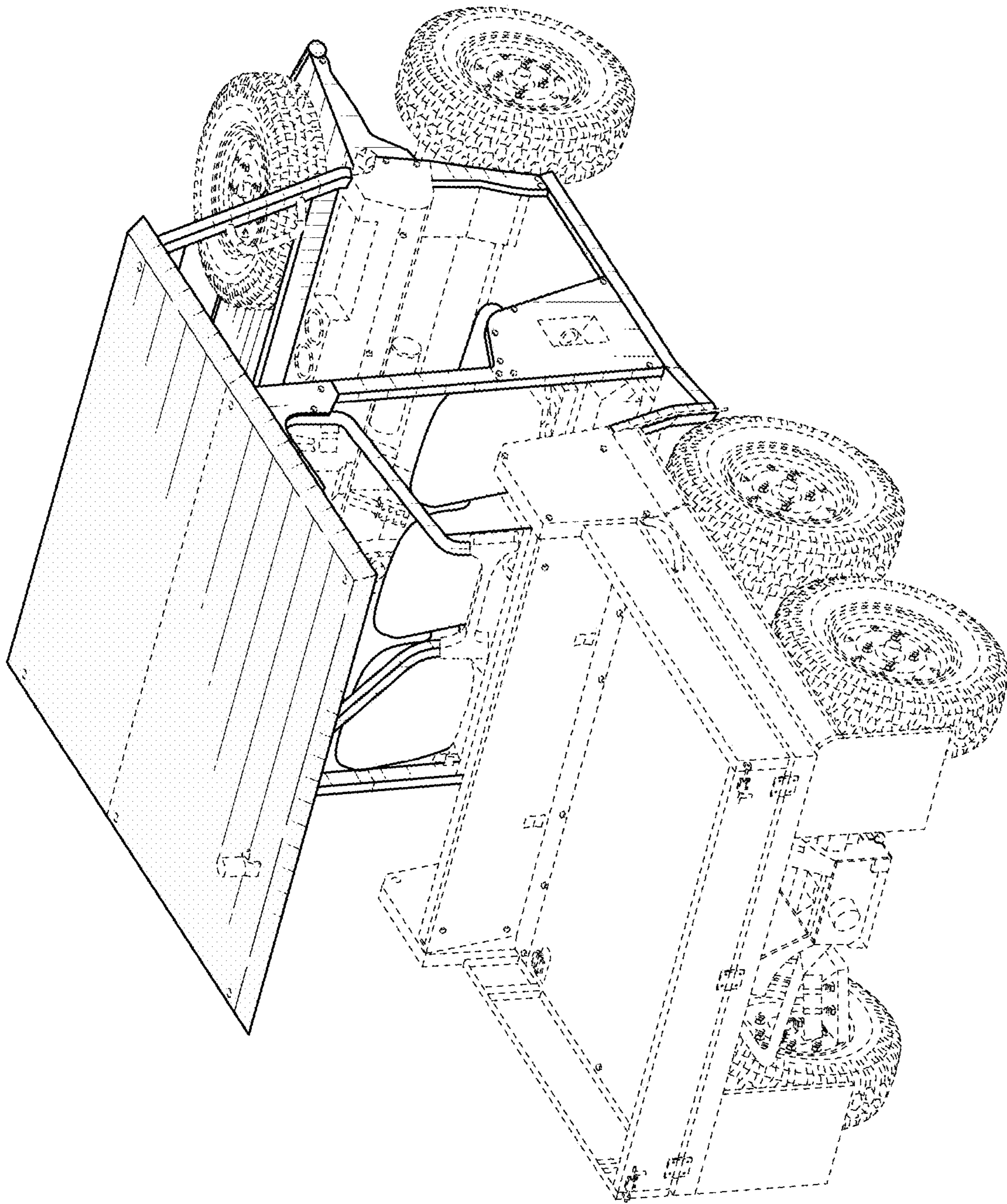
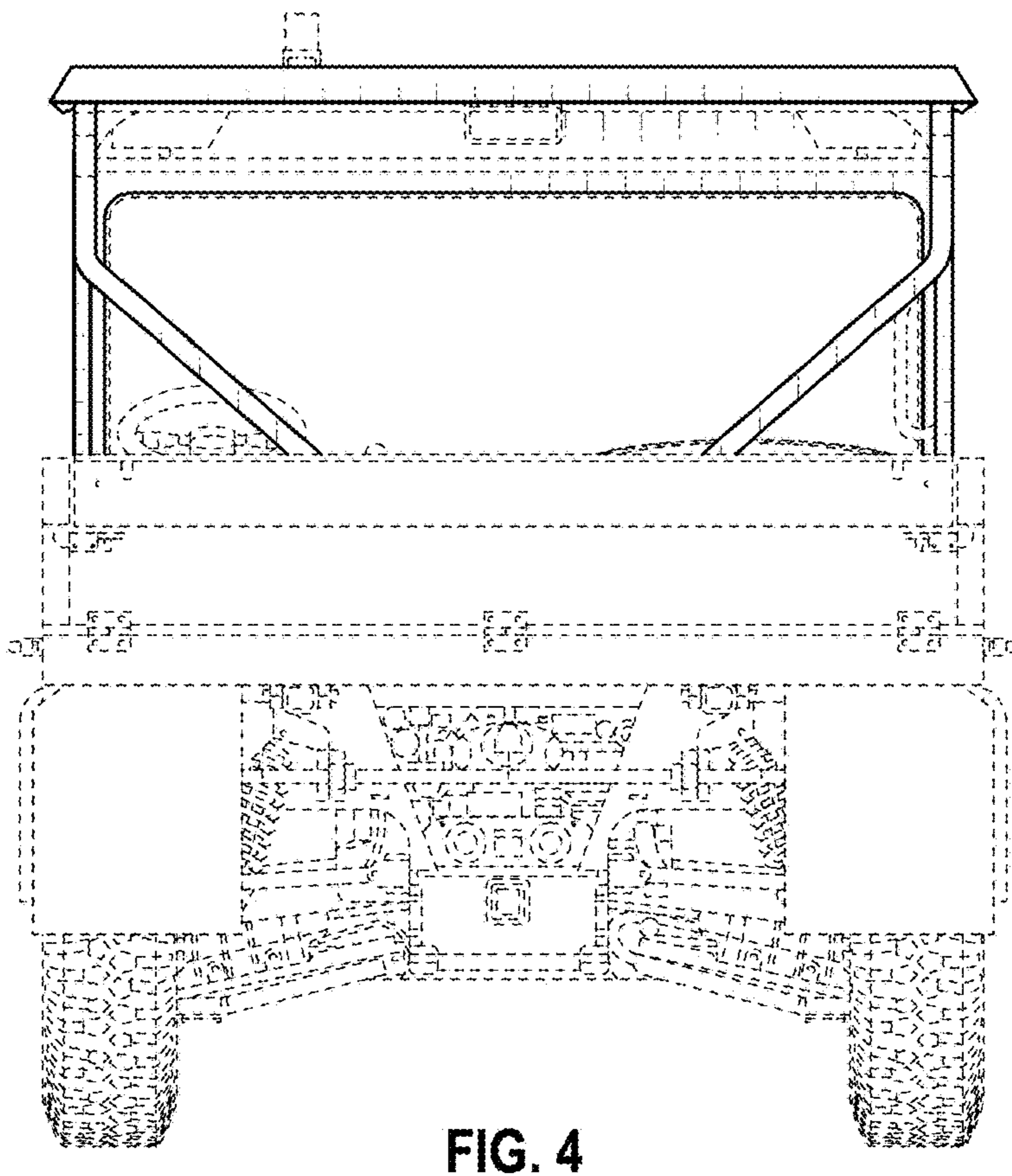
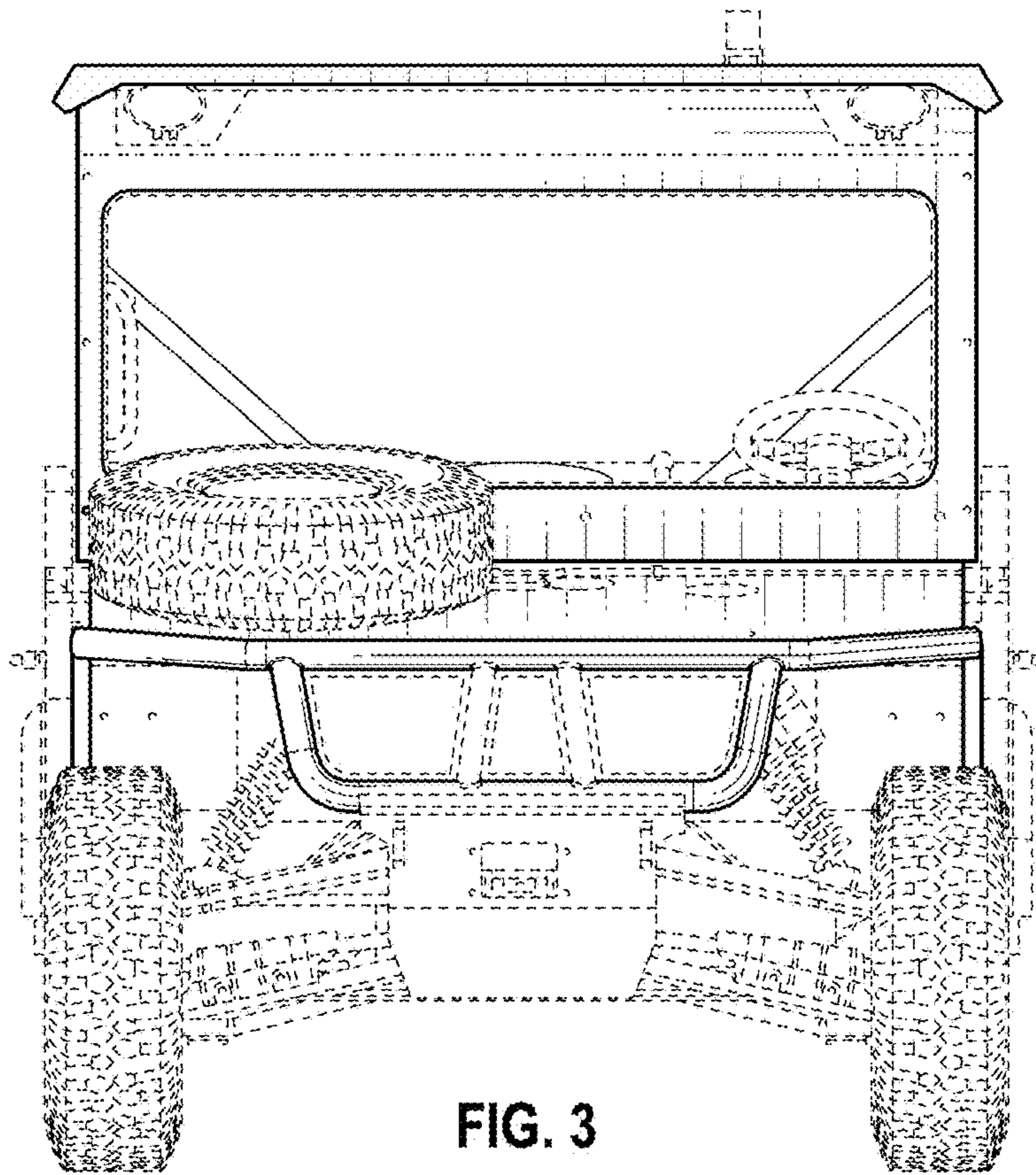


FIG. 2



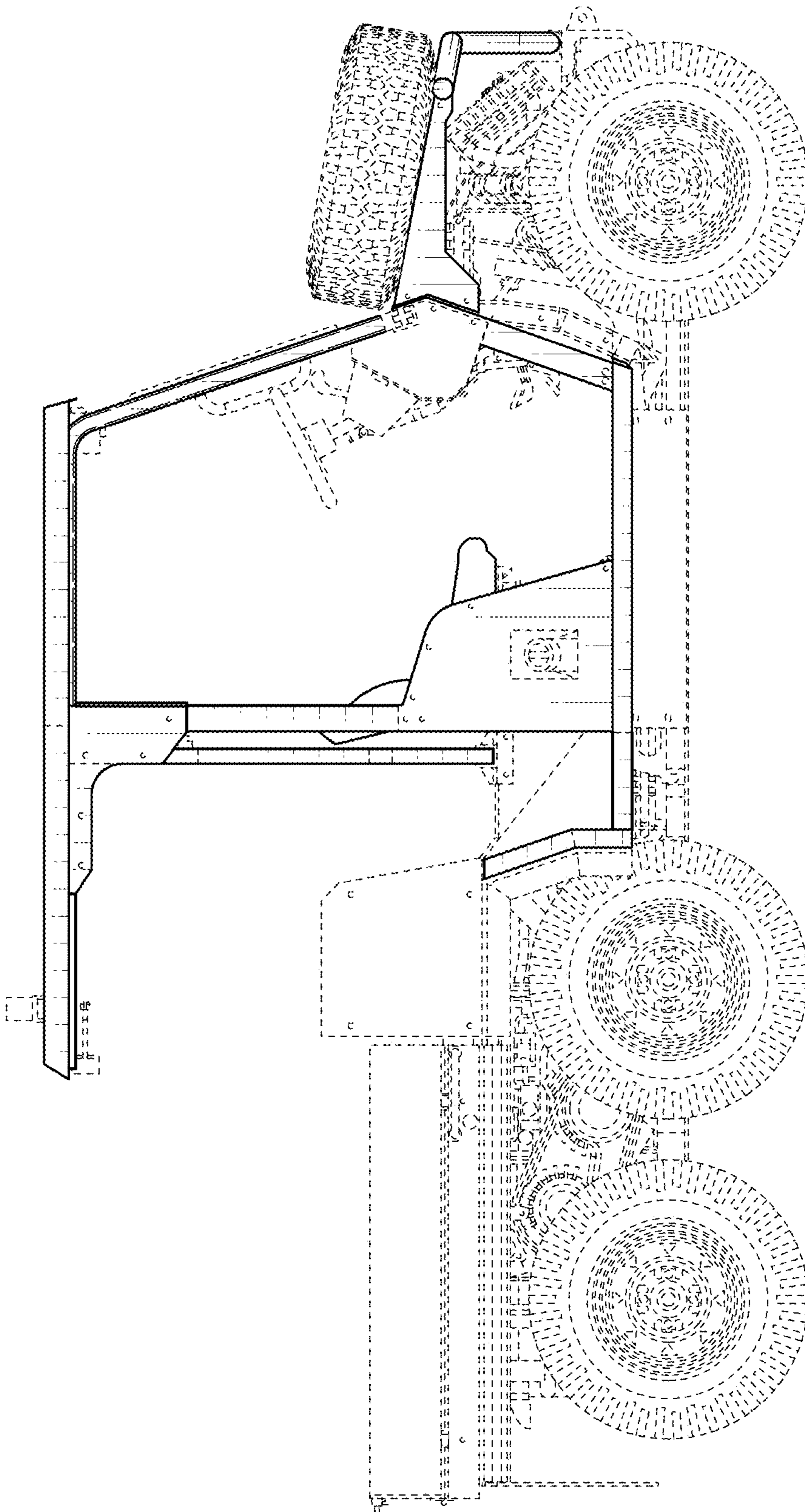


FIG. 5

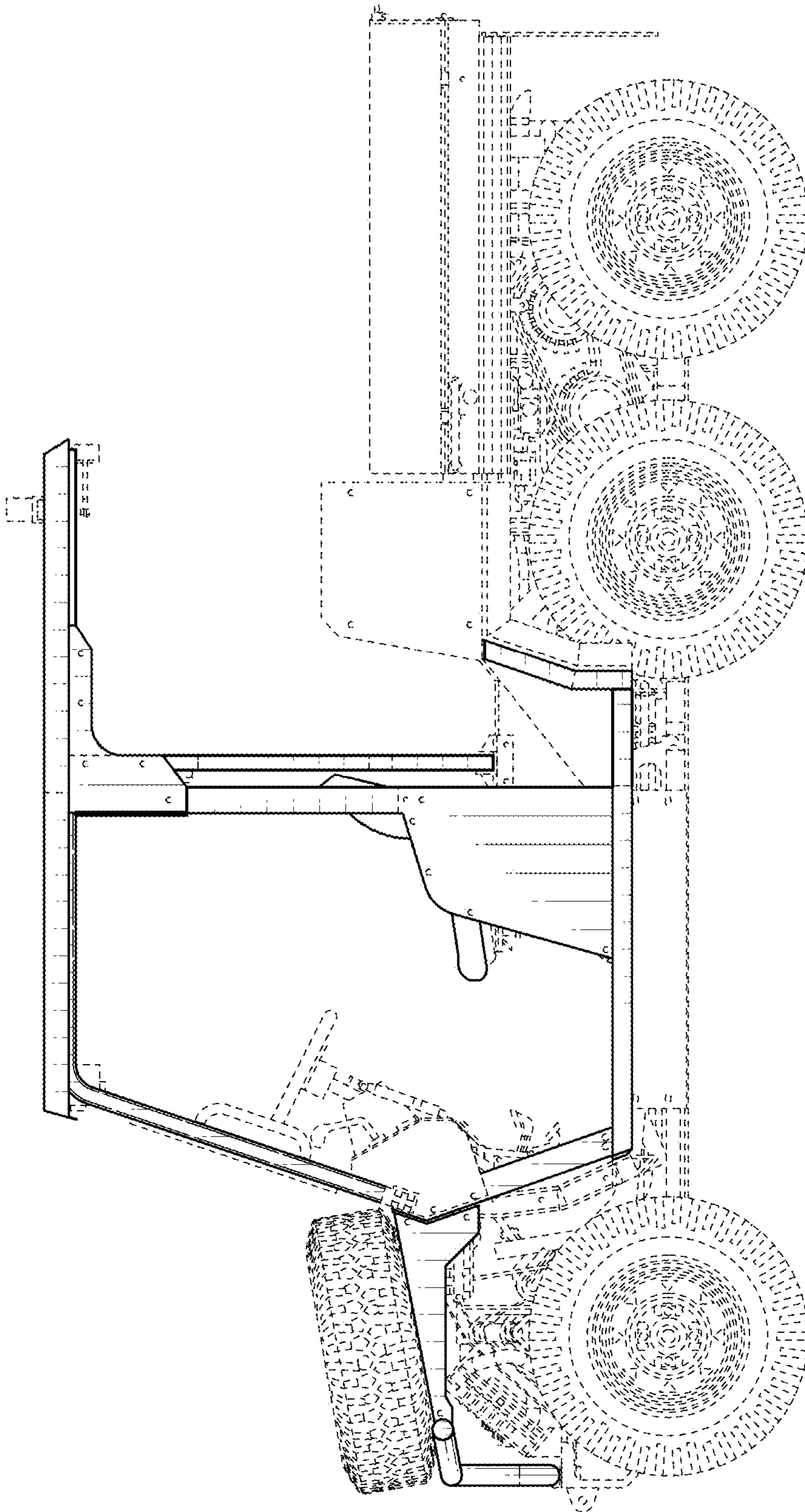


FIG. 6

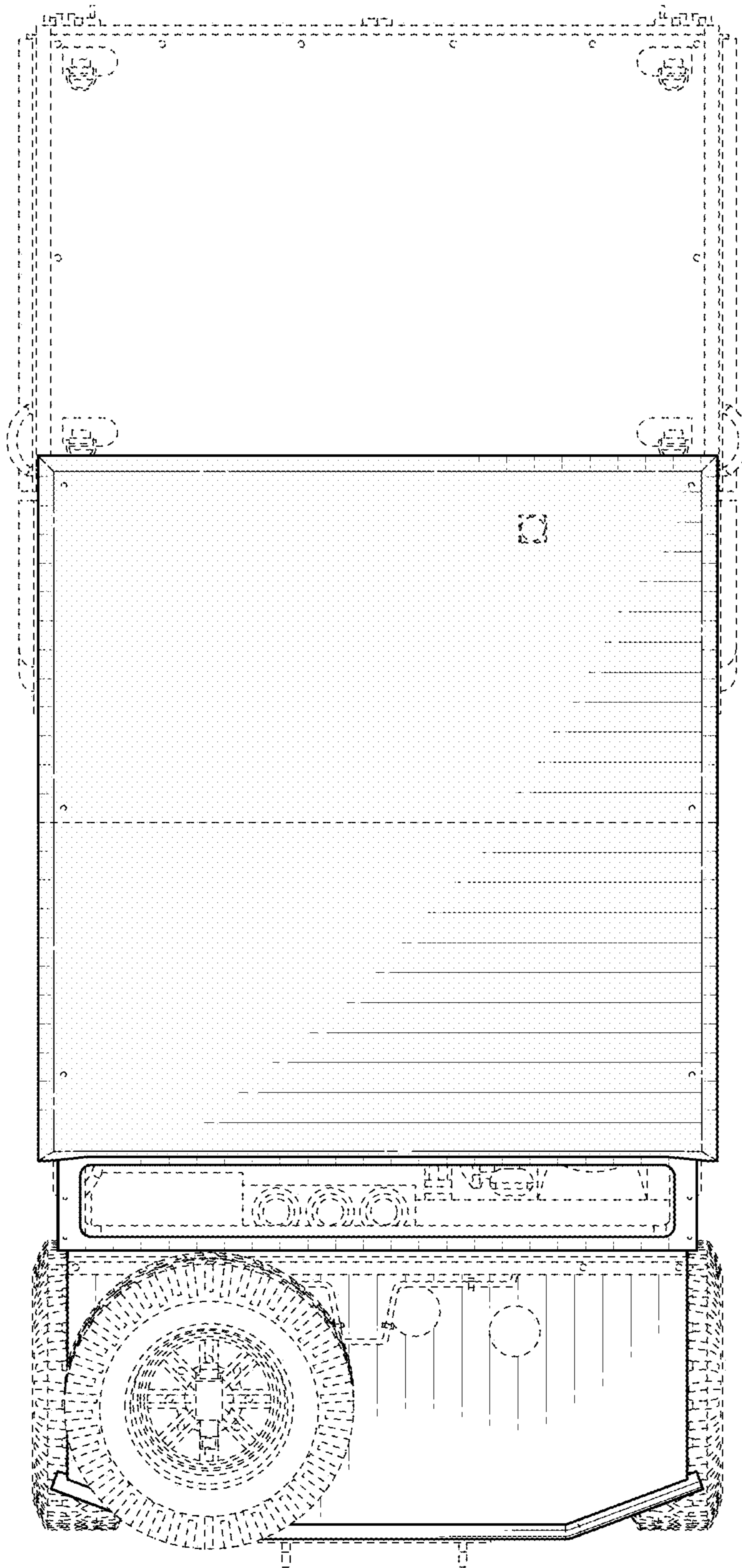


FIG. 7



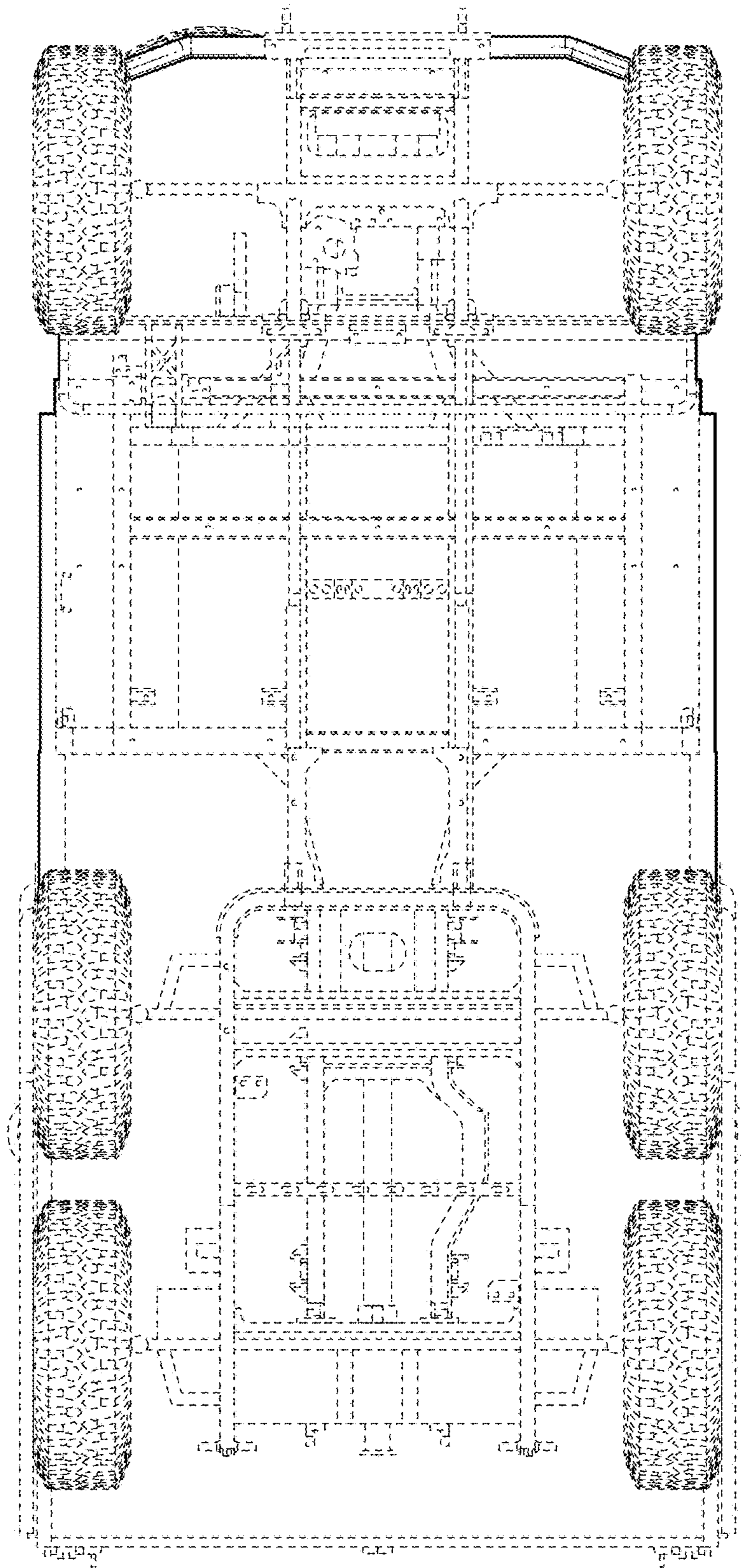


FIG. 8