

US00D869330S

(12) **United States Design Patent** (10) **Patent No.:** **US D869,330 S**  
**Wenger et al.** (45) **Date of Patent:** **\*\* Dec. 10, 2019**

(54) **PASSENGER SAFETY BELT BUCKLE**

(56) **References Cited**

(71) Applicant: **Rockwell Collins, Inc.**, Cedar Rapids, IA (US)  
(72) Inventors: **Brian P. Wenger**, Kernersville, NC (US); **Michael Princip**, Winston-Salem, NC (US); **Charles Martin Hansson**, Winston-Salem, NC (US); **Alex L. Velet**, Clemmons, NC (US)

U.S. PATENT DOCUMENTS

3,078,538 A \* 2/1963 Brown ..... A44B 11/2526  
24/313  
3,120,040 A \* 2/1964 Paller, Jr. .... A44B 11/2526  
24/644  
3,147,530 A \* 9/1964 Goldman ..... A44B 11/2526  
24/646

(Continued)

(73) Assignee: **Rockwell Collins, Inc.**, Cedar Rapids, IA (US)

*Primary Examiner* — Kevin K Rudzinski

*Assistant Examiner* — Richard Kearney

(\*\*) Term: **15 Years**

(74) *Attorney, Agent, or Firm* — Suiter Swantz pc llo

(21) Appl. No.: **29/643,346**

(57) **CLAIM**

(22) Filed: **Apr. 6, 2018**

The ornamental design for a passenger safety belt buckle, as shown and described.

(51) **LOC (12) Cl.** ..... **02-07**

(52) **U.S. Cl.**  
USPC ..... **D11/216**

(58) **Field of Classification Search**

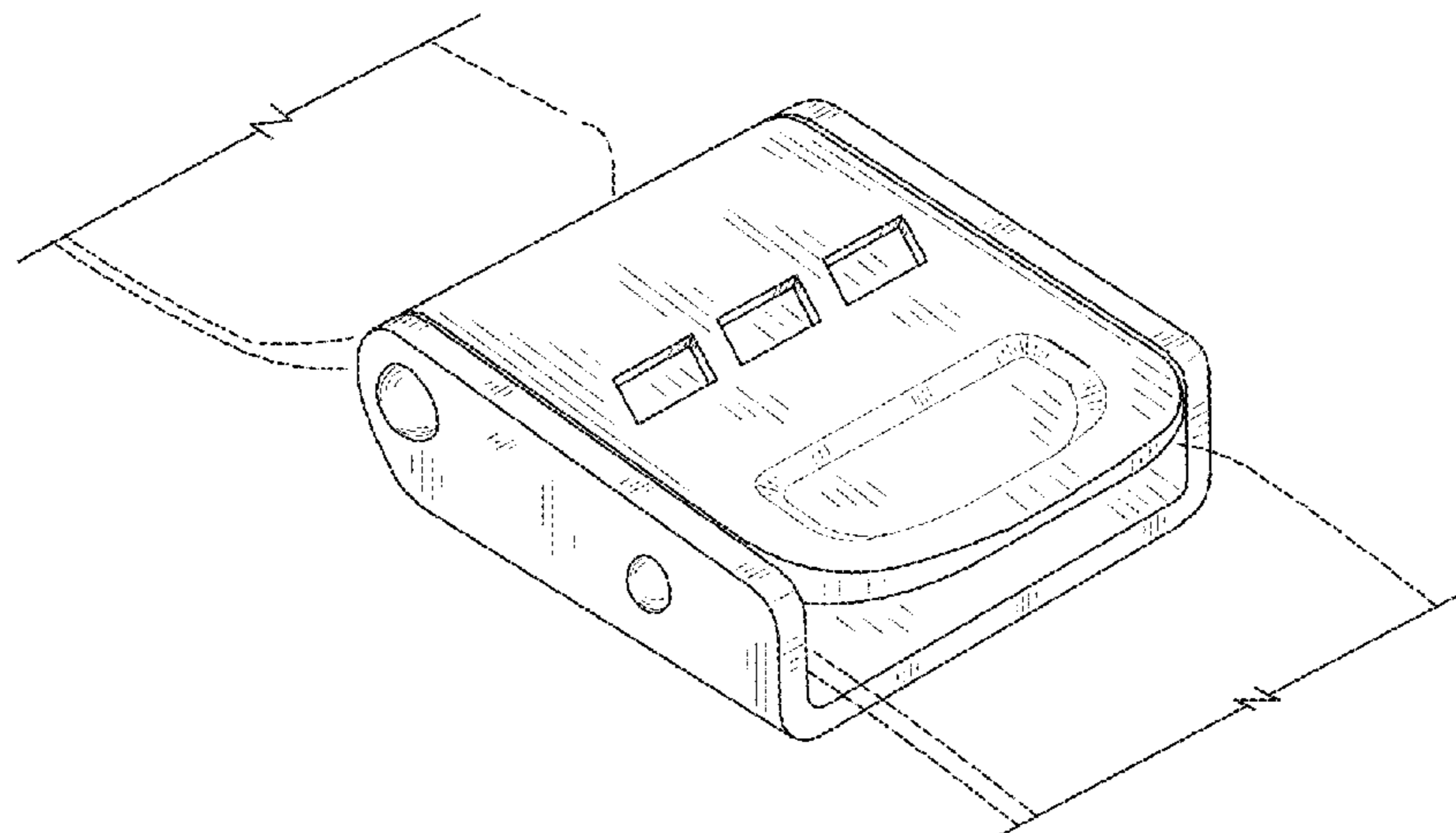
USPC ..... D2/624, 626, 627, 633, 639, 640, 853,  
D2/923; D3/24, 213, 215, 216, 230;  
D8/14, 331, 343, 349, 356, 358, 359, 360,  
D8/363, 366, 371, 382, 394, 395;  
D10/32, 38; D11/1, 2, 3, 12, 16, 86, 87,  
D11/93, 200, 201, 206–210, 212–218,  
D11/229–237; D12/195, 416;  
D29/100–101.5, 122, 129, 130; D30/139,  
D30/152, 153  
CPC ..... A44B 11/00; A44B 11/02; A44B 11/04;  
A44B 11/05; A44B 11/06; A44B 11/10;  
A44B 11/14; A44B 11/22; A44B 11/25;  
A44B 11/26; A44B 11/125; A44B 11/223;  
A44B 11/001; A44B 11/005; A44B  
11/006; A44B 11/2503; A44B 11/2507;  
A44B 11/2526; A44B 11/2553; A44B  
11/2592; A41F 1/008; A41F 9/002; A41F  
9/007; A41F 11/06; B60R 22/30; B60R  
22/32; B60R 22/022; B60R 2022/1806;  
B60R 2022/1812; B60R 2022/281; B65D  
63/16; A62B 35/00

**DESCRIPTION**

FIG. 1 is a perspective view of a passenger safety belt buckle;  
FIG. 2 is a top plan view of the passenger safety belt buckle of FIG. 1;  
FIG. 3 is a front elevation view of the passenger safety belt buckle of FIG. 1;  
FIG. 4 is a left side elevation view of the passenger safety belt buckle of FIG. 1;  
FIG. 5 is a rear elevation view of the passenger safety belt buckle of FIG. 1;  
FIG. 6 is a right side elevation view of the passenger safety belt buckle of FIG. 1; and,  
FIG. 7 is a bottom plan view of the passenger safety belt buckle of FIG. 1.  
The broken lines shown in the drawings illustrate portions of the article of manufacture that form no part of the claimed design.

See application file for complete search history.

**1 Claim, 4 Drawing Sheets**



(56)

**References Cited**

U.S. PATENT DOCUMENTS

D199,674 S \* 12/1964 Carlson ..... D11/216  
3,165,805 A \* 1/1965 Lower ..... A44B 11/2526  
24/646  
D200,772 S \* 4/1965 Dahms ..... D11/216  
D202,105 S \* 8/1965 Fisher ..... D11/216  
3,378,895 A \* 4/1968 Eberhart ..... A44B 11/2511  
24/650  
D215,195 S \* 9/1969 Kregel ..... D11/216  
D254,760 S \* 4/1980 Petlewski ..... D11/216  
D533,045 S \* 12/2006 Schroth ..... D8/300  
D600,160 S \* 9/2009 Kosh ..... D11/218  
D603,753 S \* 11/2009 Palmer ..... D11/216

\* cited by examiner

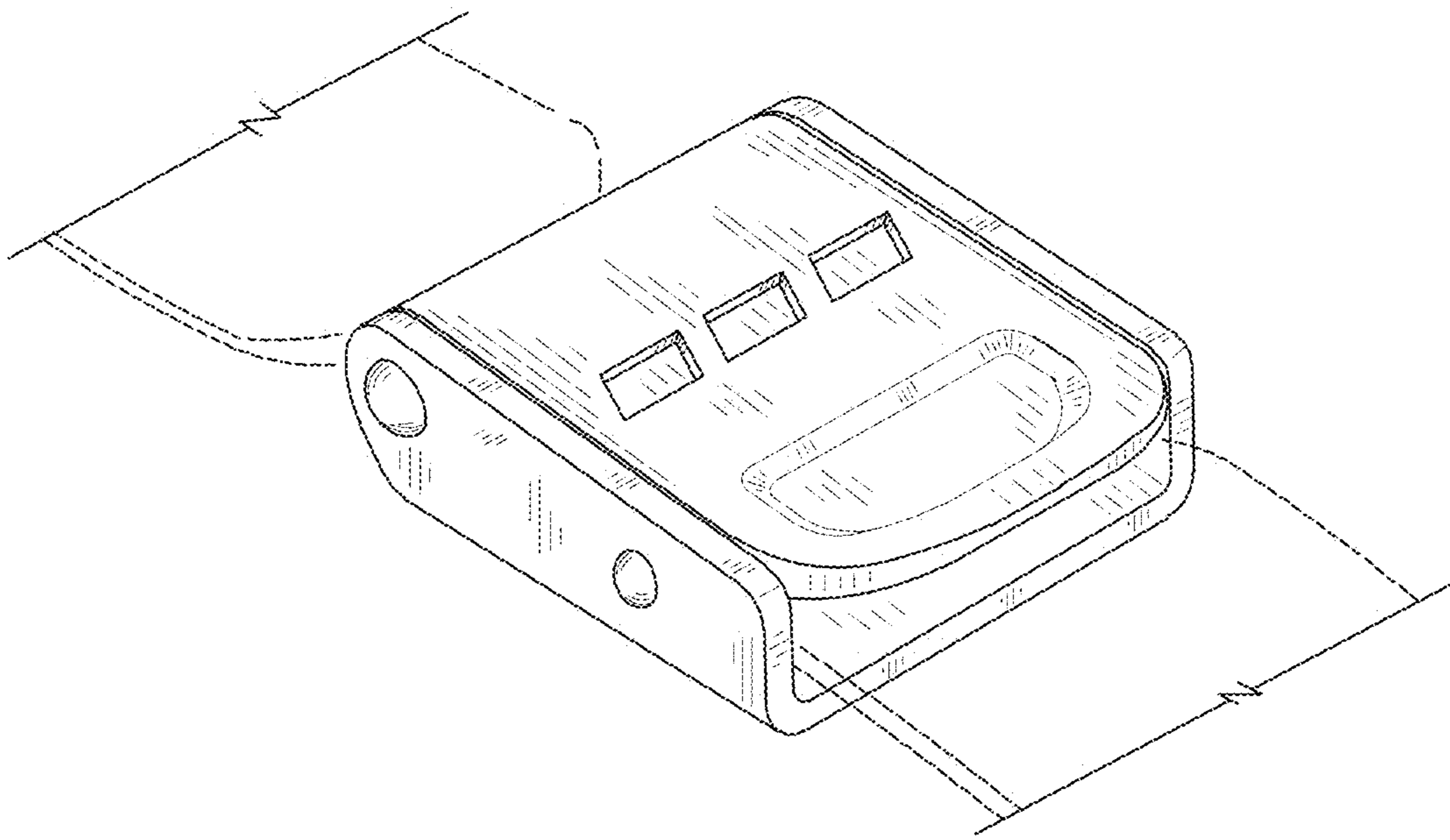


FIG. 1

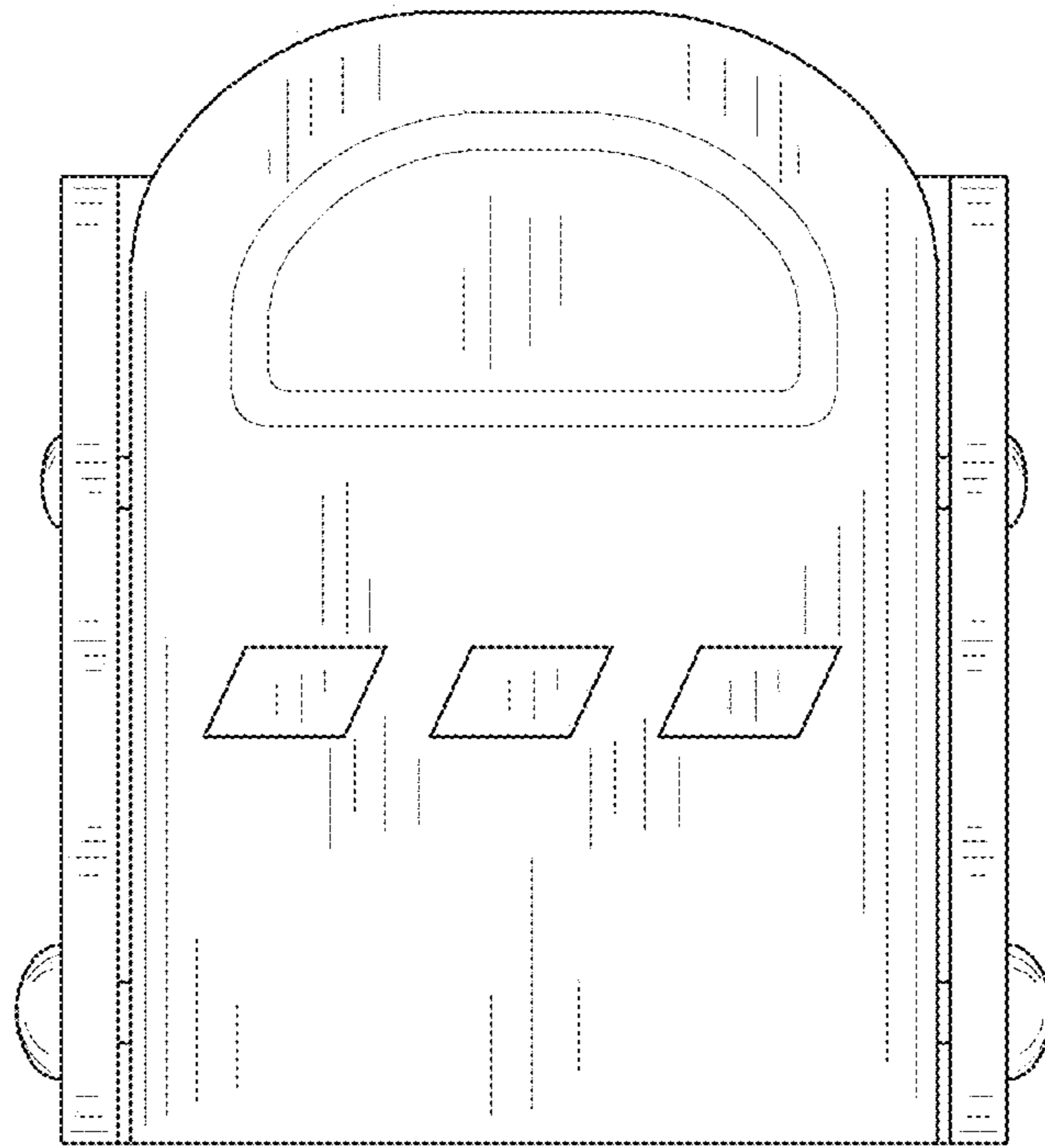


FIG. 2

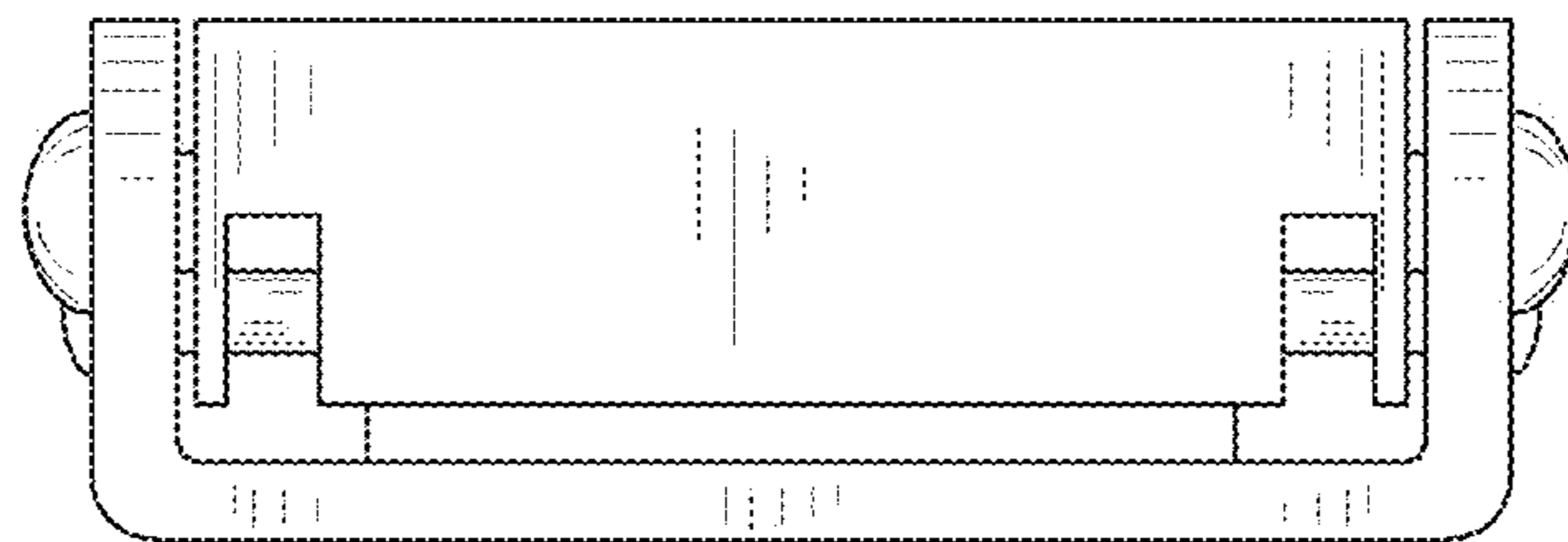


FIG. 3

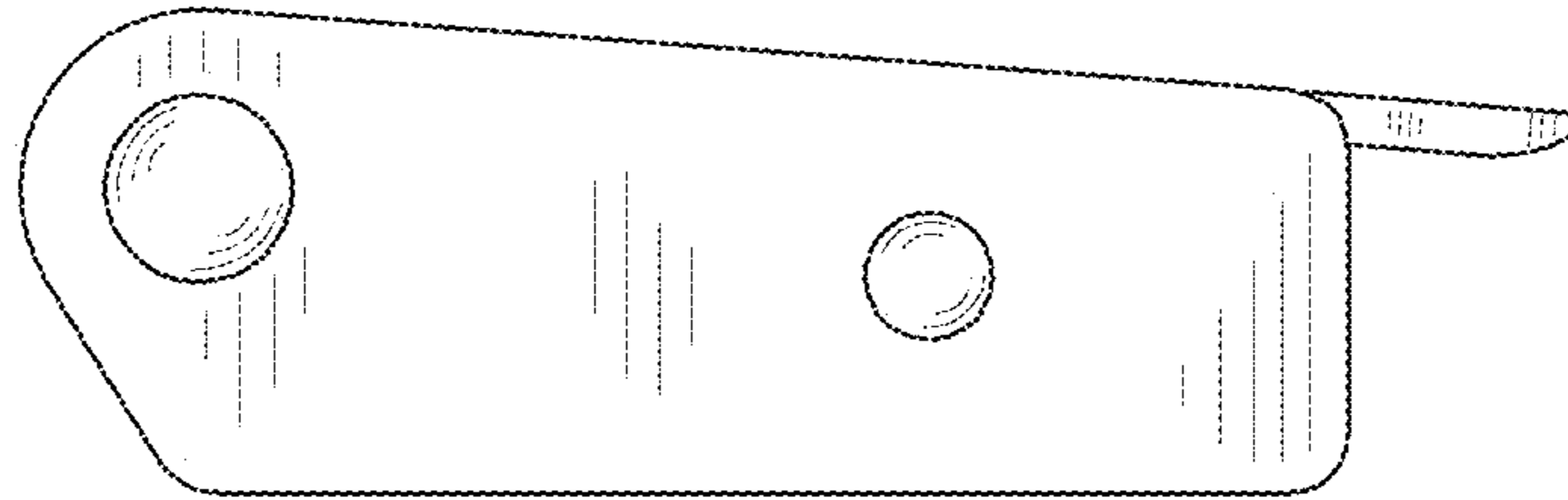


FIG. 4

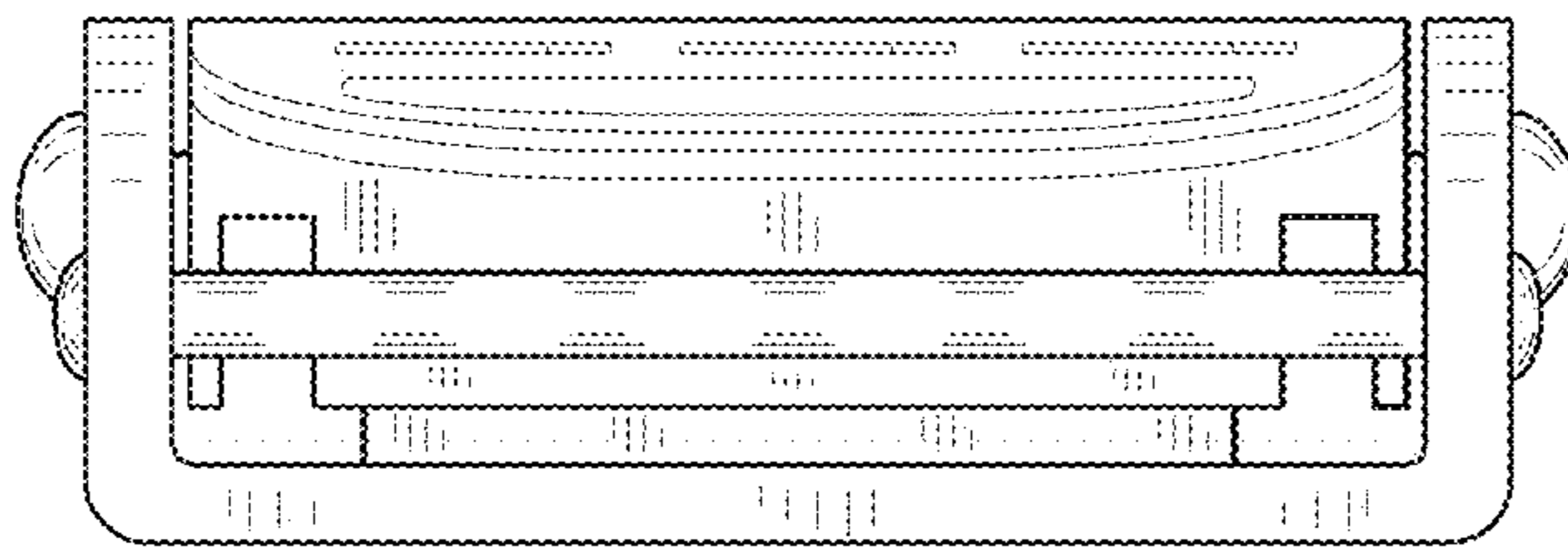


FIG. 5

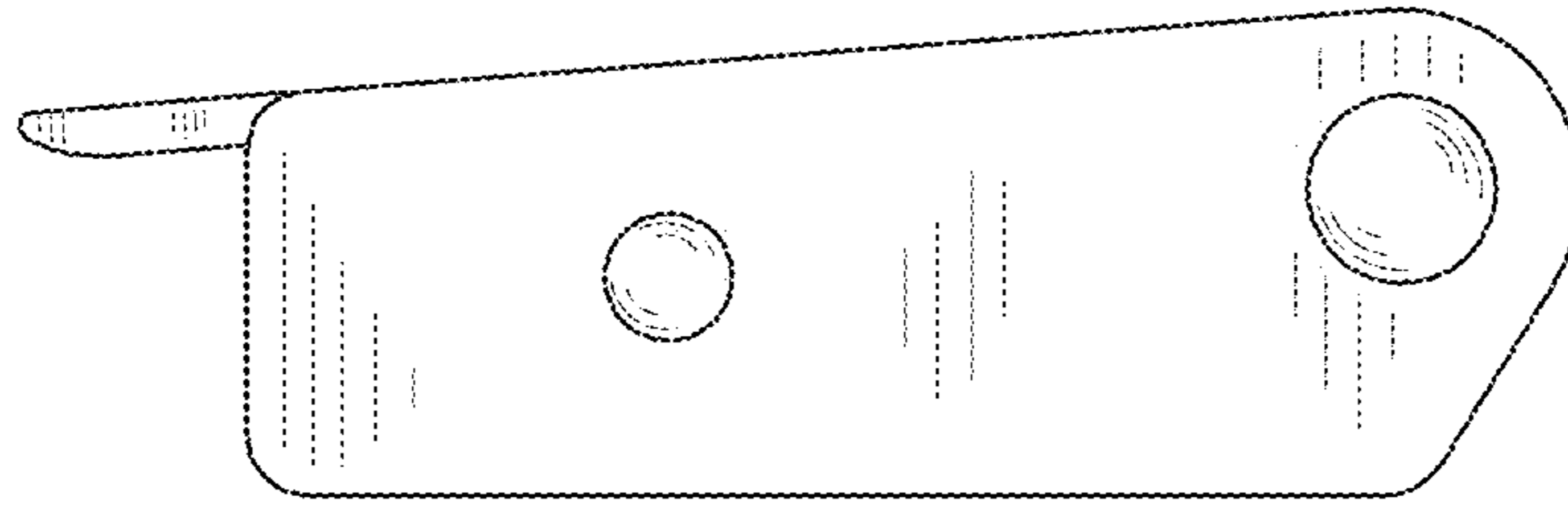


FIG. 6

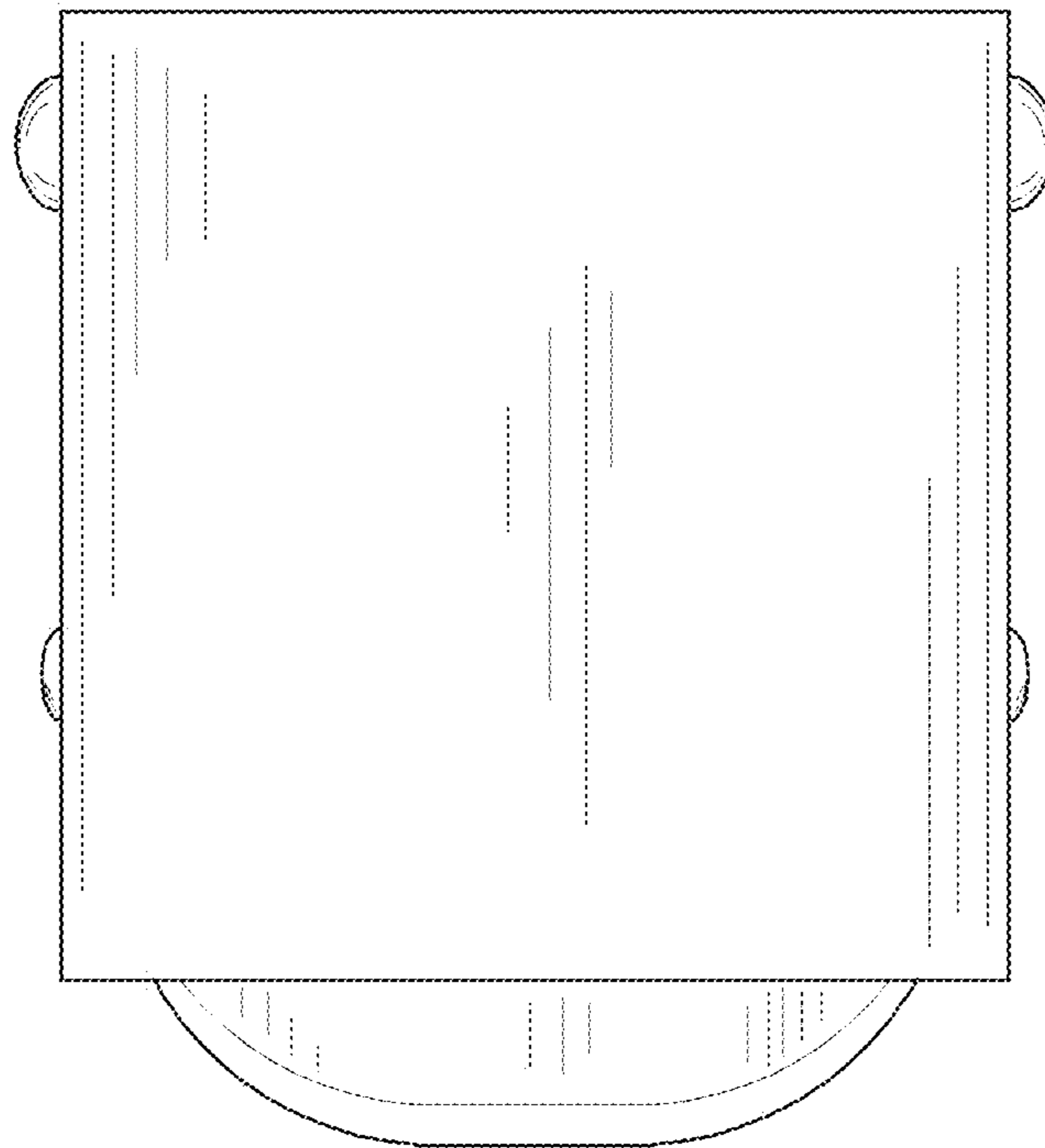


FIG. 7