

US00D869328S

(12) **United States Design Patent** (10) **Patent No.:** **US D869,328 S**  
**Nelson** (45) **Date of Patent:** **\*\* Dec. 10, 2019**

(54) **HYDROPONIC BUCKET AND STAND SET**

(74) *Attorney, Agent, or Firm* — Genius Patent APC;  
Bruce Hare

(71) Applicant: **Thomas Eugene Nelson**, San Diego,  
CA (US)

(72) Inventor: **Thomas Eugene Nelson**, San Diego,  
CA (US)

(57) **CLAIM**

The ornamental design for a hydroponic bucket and stand set, as shown and described.

(\*\*) Term: **15 Years**

**DESCRIPTION**

(21) Appl. No.: **29/645,822**

(22) Filed: **Apr. 30, 2018**

(51) **LOC (12) Cl.** ..... **11-02**

(52) **U.S. Cl.**  
USPC ..... **D11/152**; D11/153

(58) **Field of Classification Search**  
USPC ..... D7/509, 523, 547; D11/143, 152, 153,  
D11/156; D9/501, 549, 564, 767, 772;  
D6/403, 404, 405

CPC ... A47G 7/07; A01G 5/04; A01G 9/00; A01G  
9/02; A01G 9/021; A01G 9/022; A01G  
9/024; A01G 9/025; A01G 9/026; A01G  
9/10; A01G 9/104; A01G 9/027; A01G  
9/028; F21V 35/00; F21V 1/06

See application file for complete search history.

FIG. 1 is a top, front, left perspective view of a hydroponic bucket and stand set showing the new design;  
 FIG. 2 is a top, front, left perspective view of a hydroponic bucket and stand set with environment thereof;  
 FIG. 3 is a front elevation view thereof, rear elevation view is a mirror image thereof;  
 FIG. 4 is a left elevation view thereof, right elevation view is a mirror image thereof;  
 FIG. 5 is a top plan view thereof;  
 FIG. 6 is a bottom plan view thereof;  
 FIG. 7 is an exploded top, front, left perspective view thereof;  
 FIG. 8 is an exploded bottom, front, left perspective view thereof;  
 FIG. 9 is an exploded front elevation view thereof, rear elevation view is a mirror image thereof;  
 FIG. 10 is an exploded left elevation view thereof, right elevation view is a mirror image thereof;  
 FIG. 11 is an exploded top plan view thereof with the parts of the set separated; and,  
 FIG. 12 is an exploded bottom plan view thereof with the parts of the set separated.  
 The broken lines showing portions of the bucket top support rings form no part of the claimed design. The circular broken lines in FIGS. 5, 6, 7, 8, 11, and 12 depict portions of the hydroponic bucket and stand set that form no part of the claimed design. The broken lines showing portions of the plant, plant holder top lid, vertical pipe plant supports and piping in FIG. 2 illustrate the environment of the claimed design and form no part thereof.

(56) **References Cited**

**U.S. PATENT DOCUMENTS**

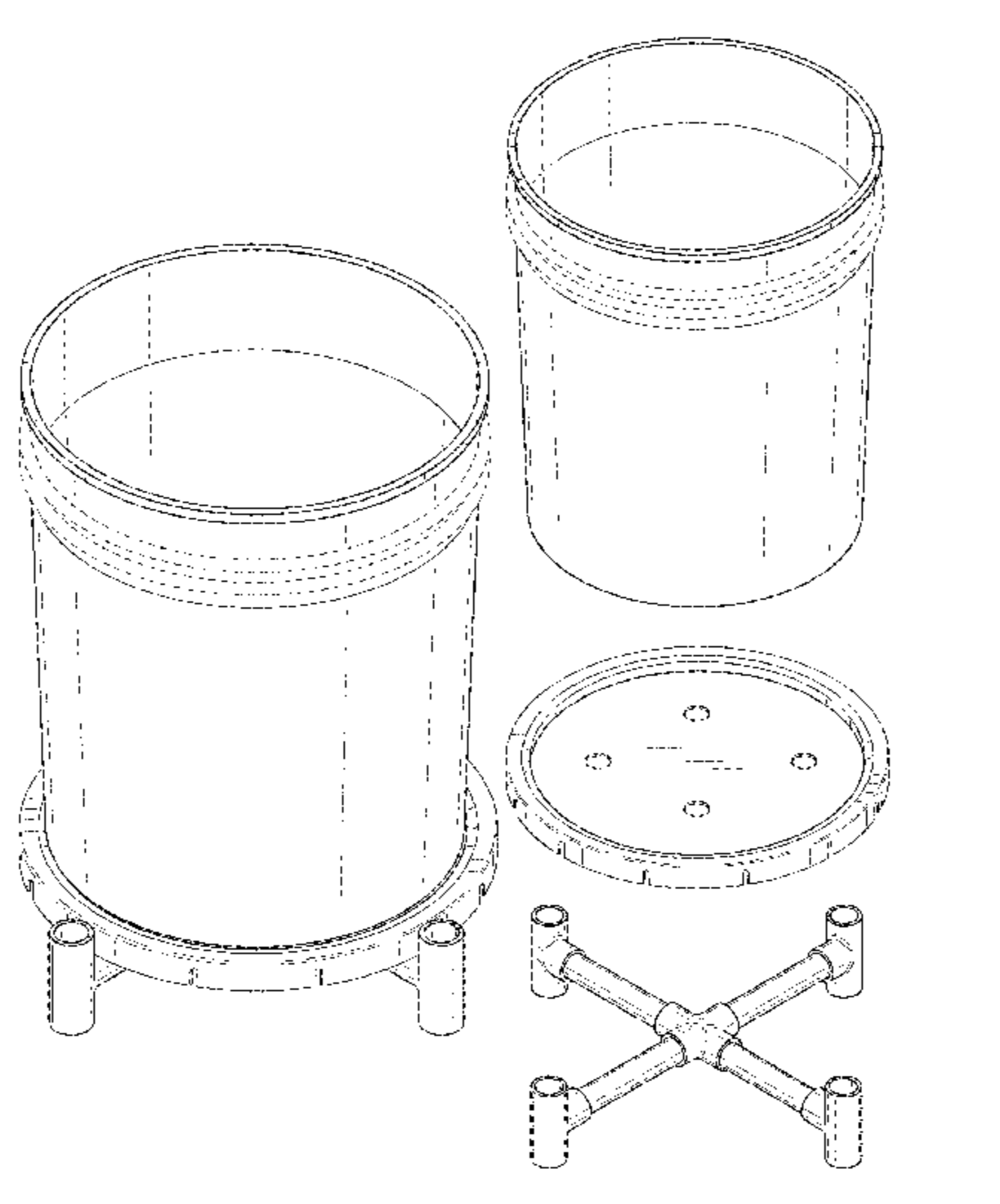
D271,035 S *	10/1983	Pomerenke	.....	D11/152
D460,717 S *	7/2002	Fan	.....	D11/152
D485,510 S *	1/2004	Fan	.....	D11/152
8,474,179 B2 *	7/2013	Jung	.....	A01G 9/086 47/65.6
D688,592 S *	8/2013	Placencia	.....	D11/152
D700,752 S *	3/2014	Gilkey	.....	D30/129
D743,298 S *	11/2015	Macari	.....	D11/152
D812,519 S *	3/2018	Macari	.....	D11/164
D829,595 S *	10/2018	Cardonne	.....	D11/152

(Continued)

*Primary Examiner* — Karen S Acker

*Assistant Examiner* — Steven B Reinholdt, Jr.

**1 Claim, 11 Drawing Sheets**



(56)

**References Cited**

U.S. PATENT DOCUMENTS

D836,936 S \* 1/2019 Jeppson ..... D6/403  
2004/0134124 A1\* 7/2004 Fenwick ..... A01G 9/02  
47/66.1  
2012/0080538 A1\* 4/2012 Reid ..... A01G 27/006  
239/276  
2019/0159413 A1\* 5/2019 Yaita ..... A01G 27/04

\* cited by examiner

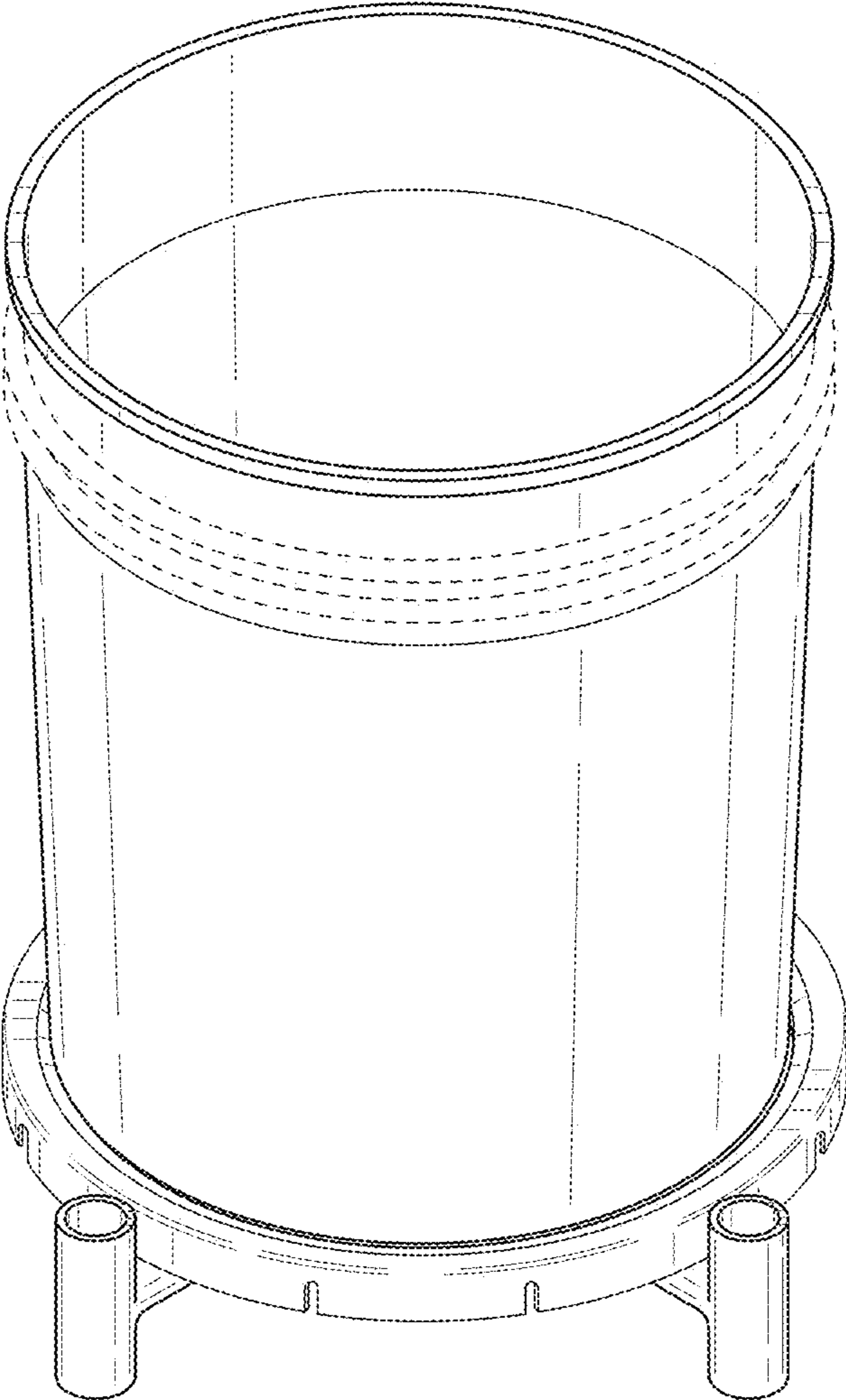


FIG. 1

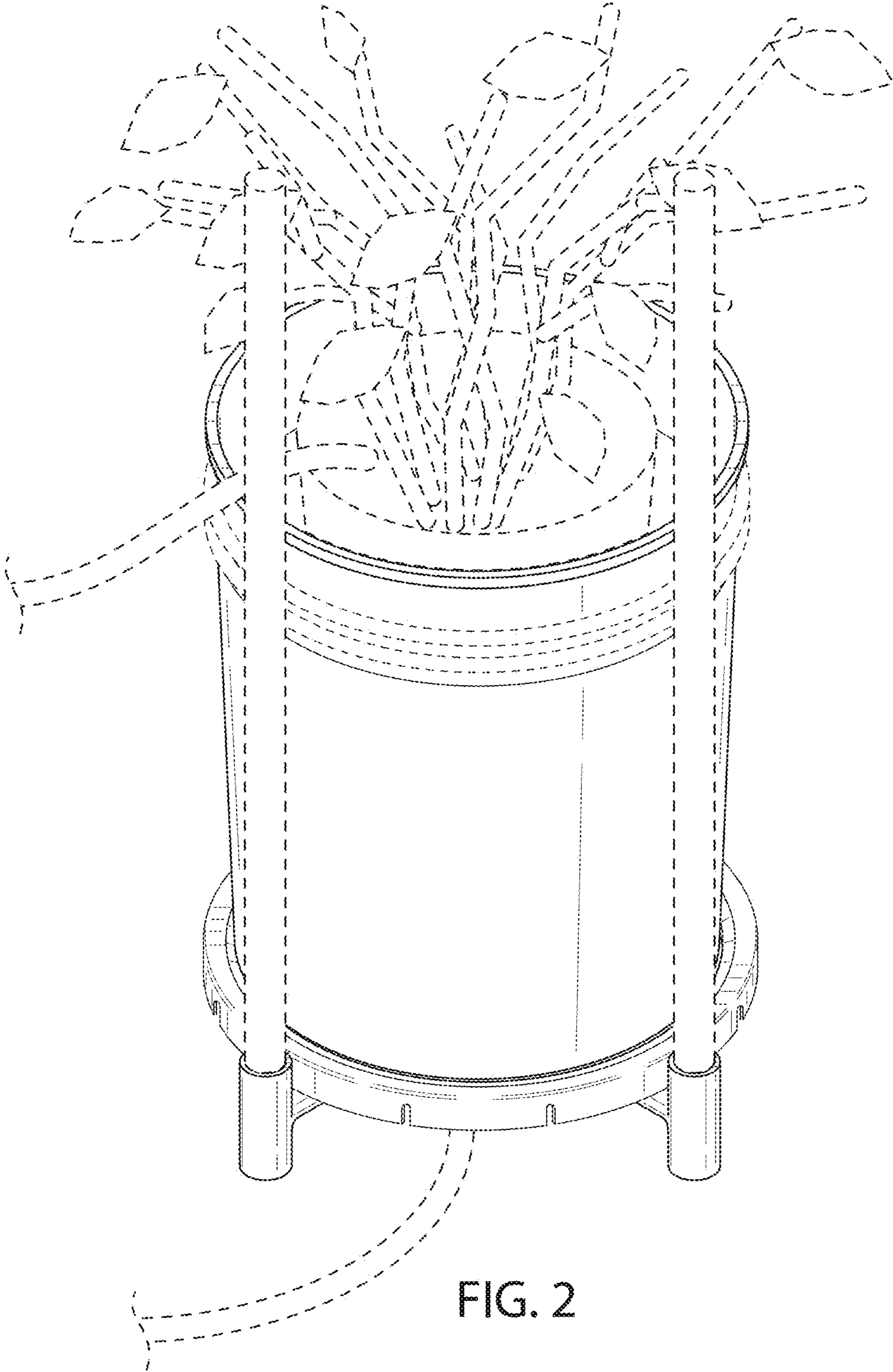


FIG. 2

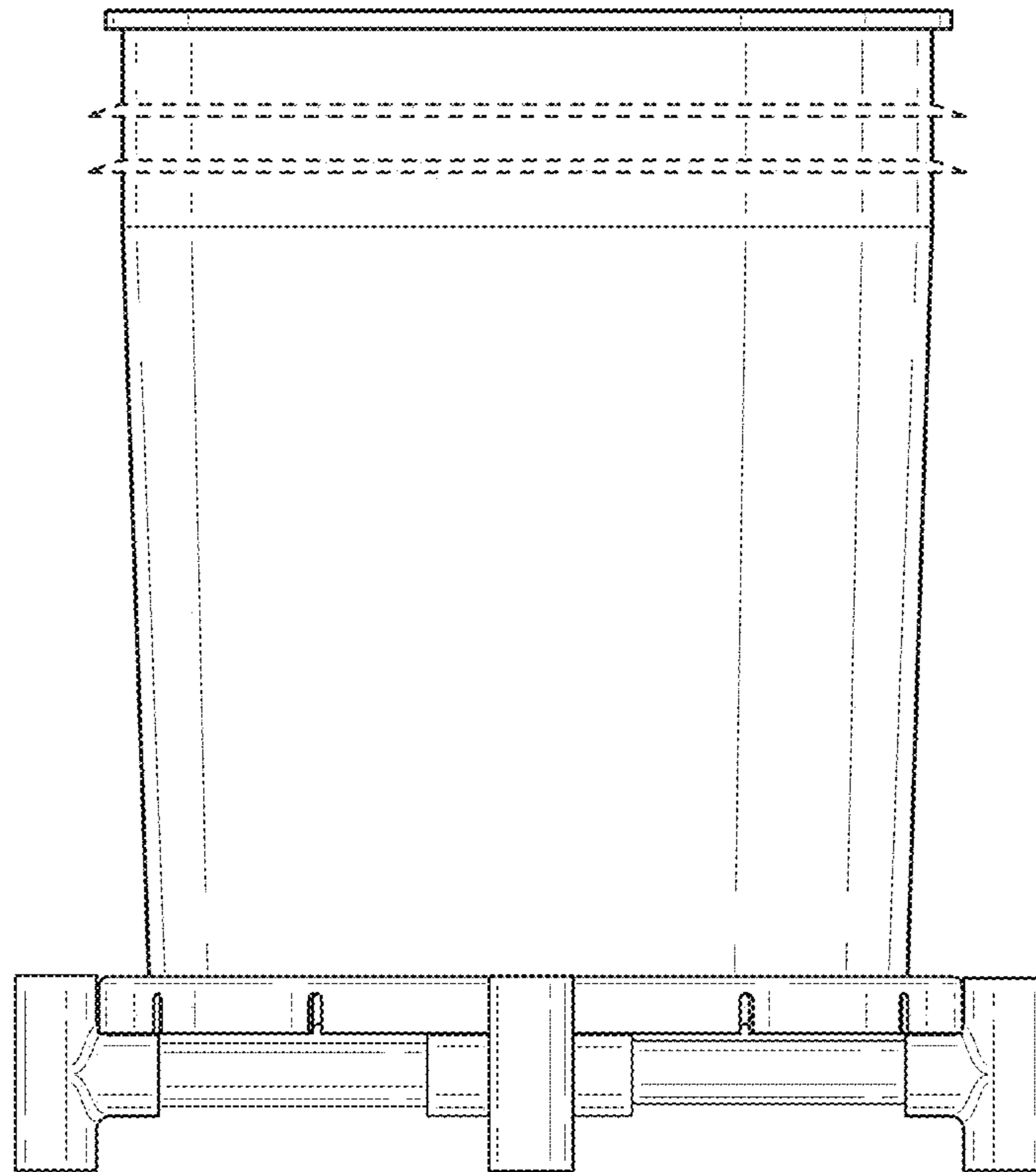


FIG. 3

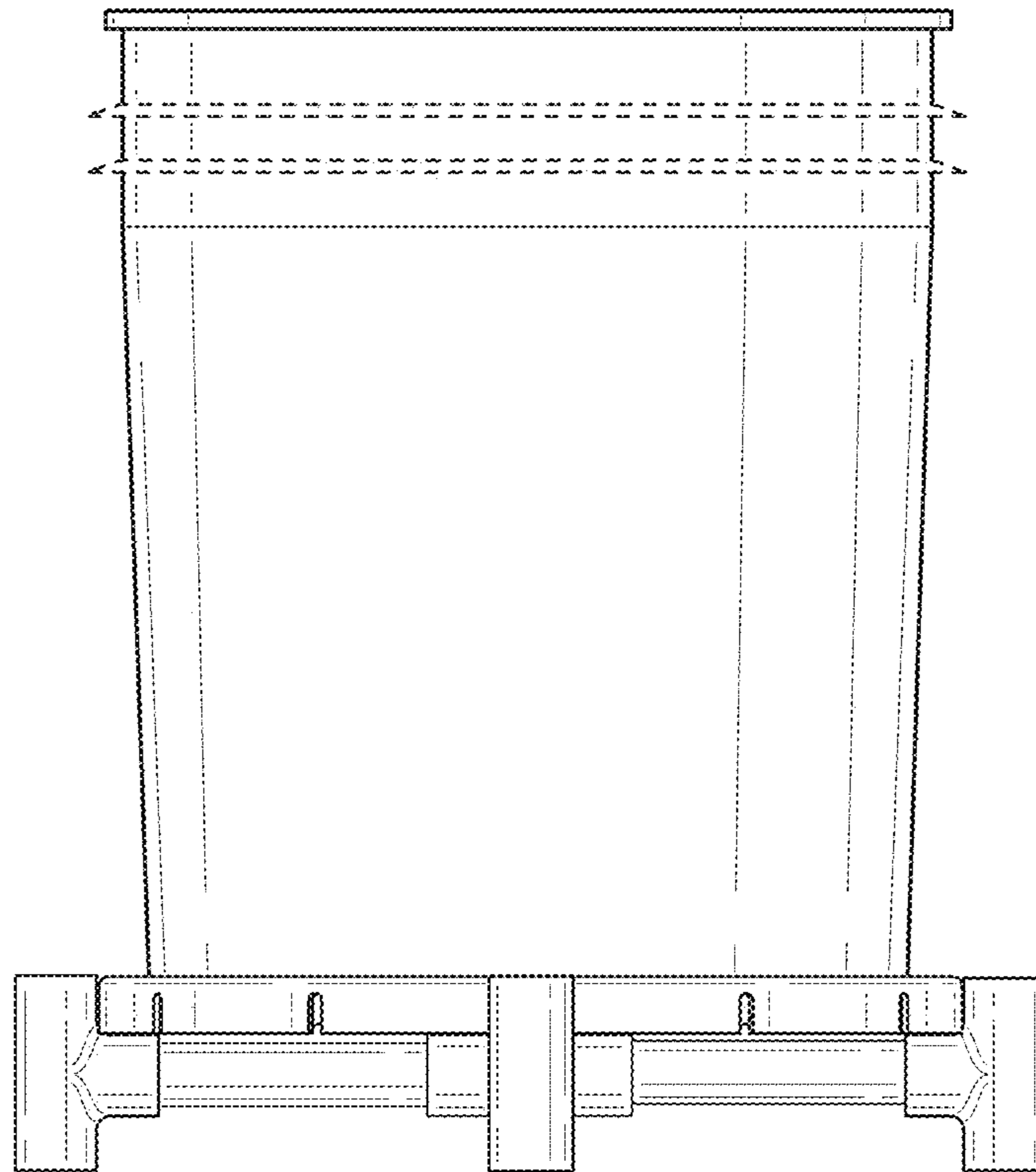


FIG. 4



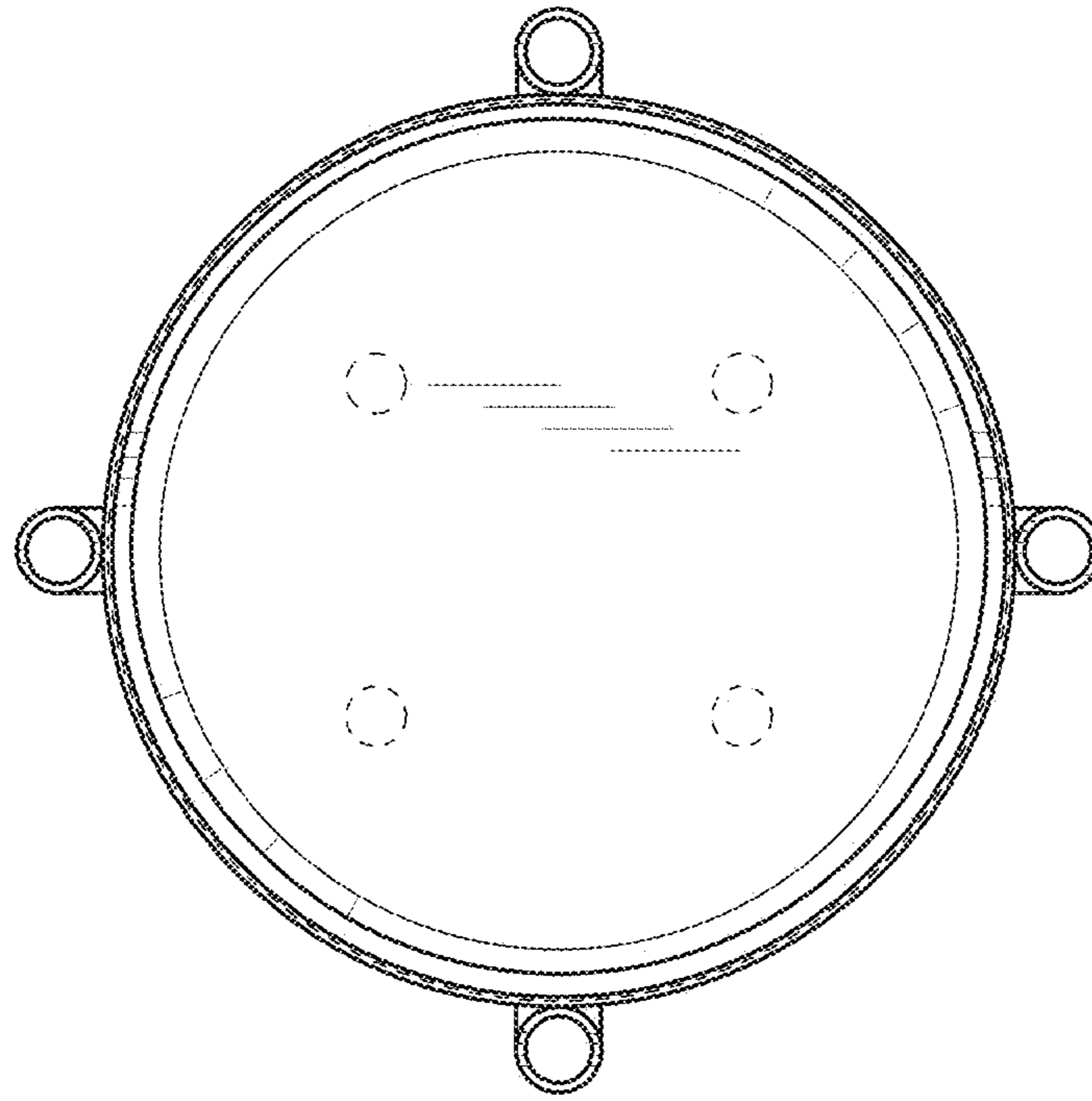


FIG. 5

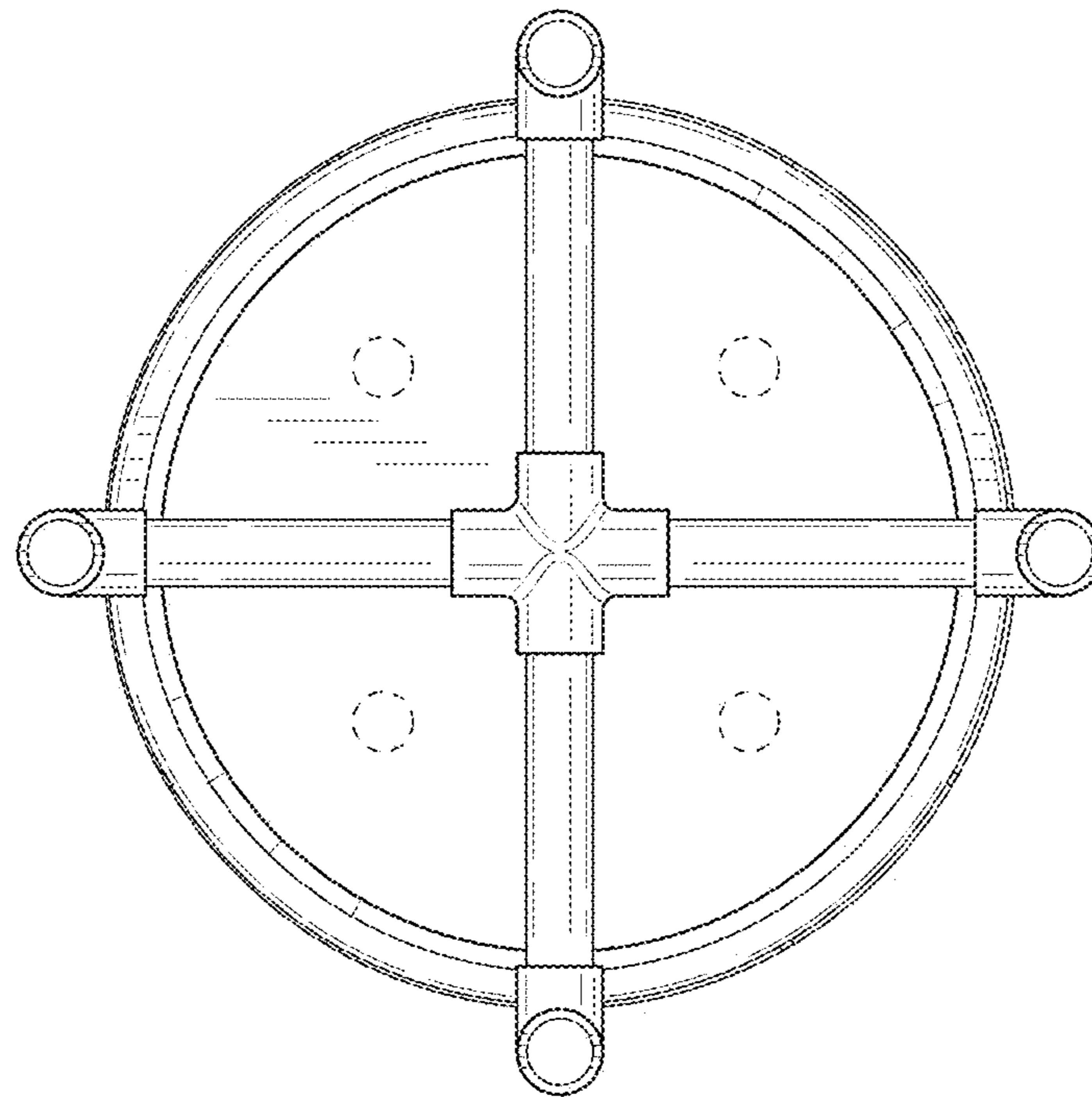


FIG. 6

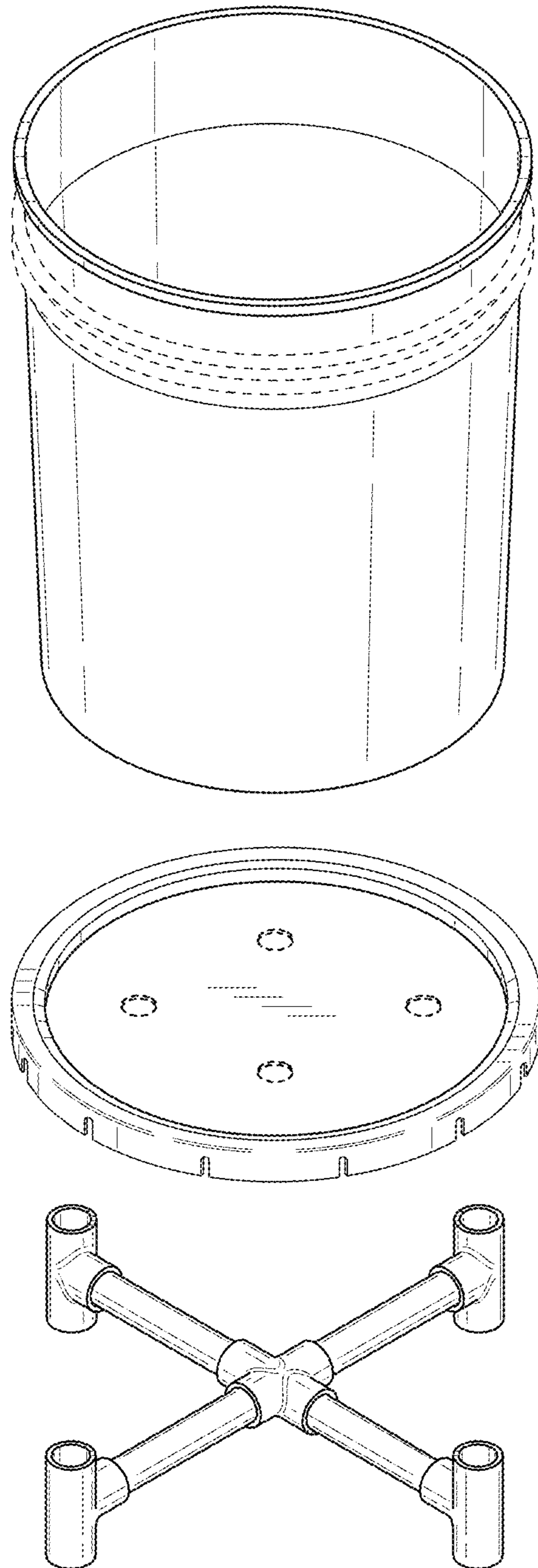


FIG. 7



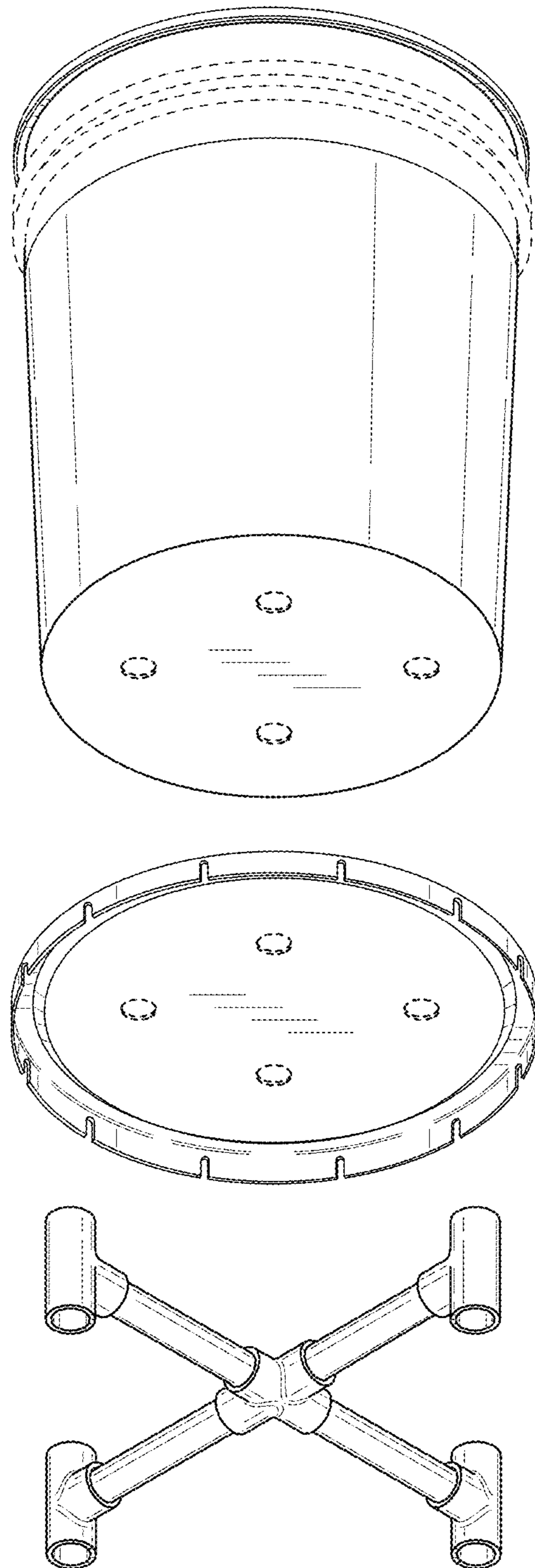


FIG. 8

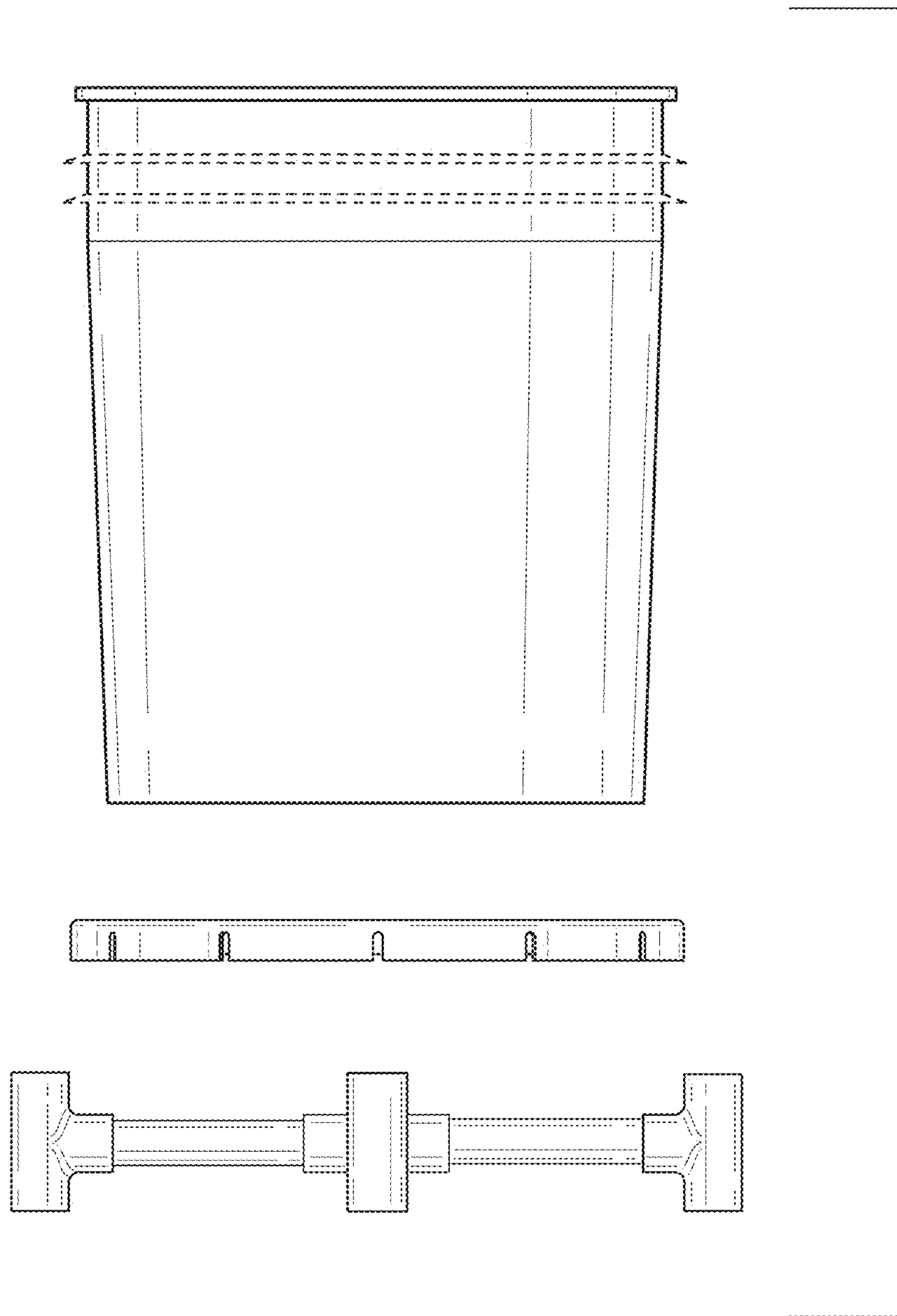


FIG. 9

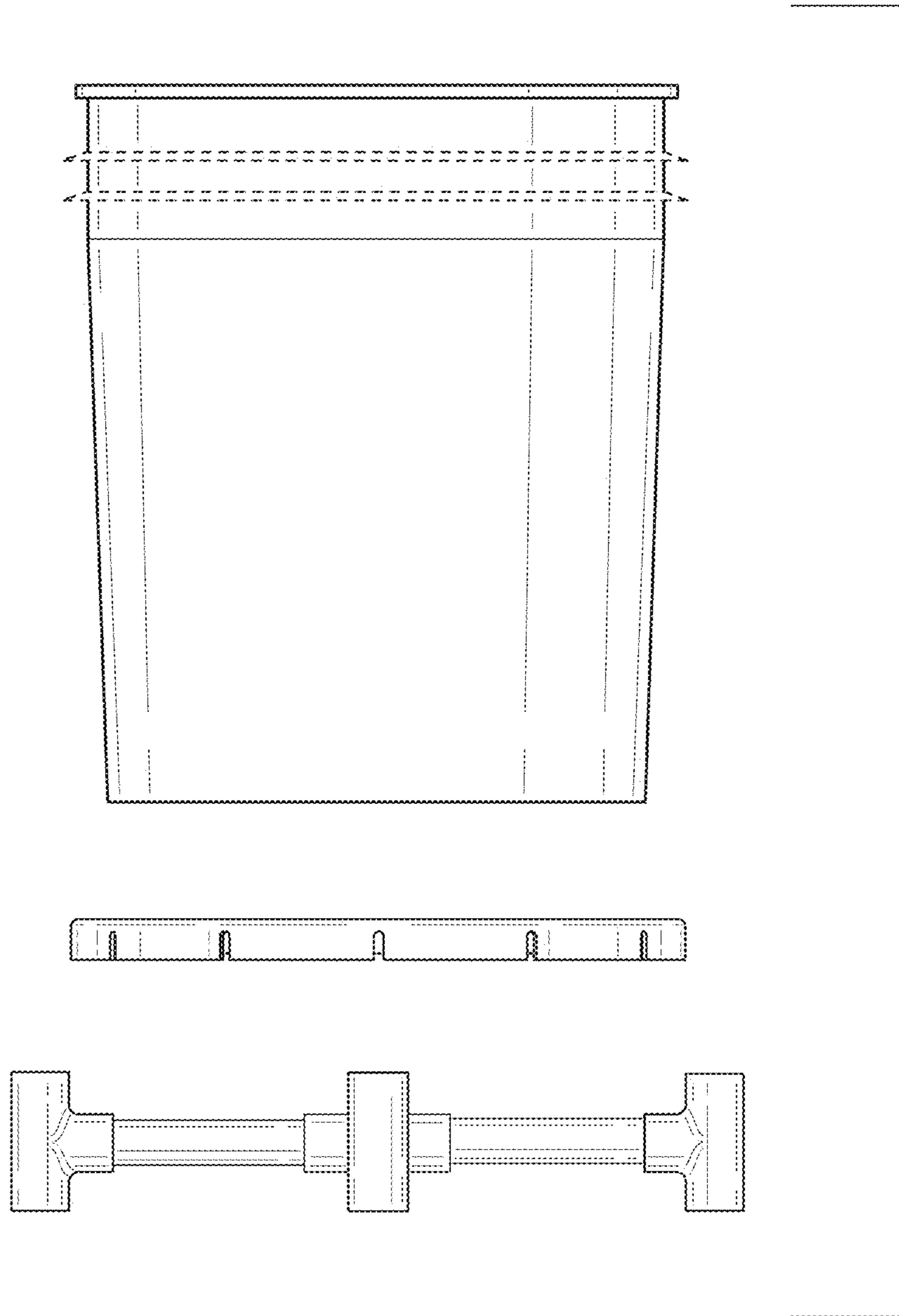


FIG. 10

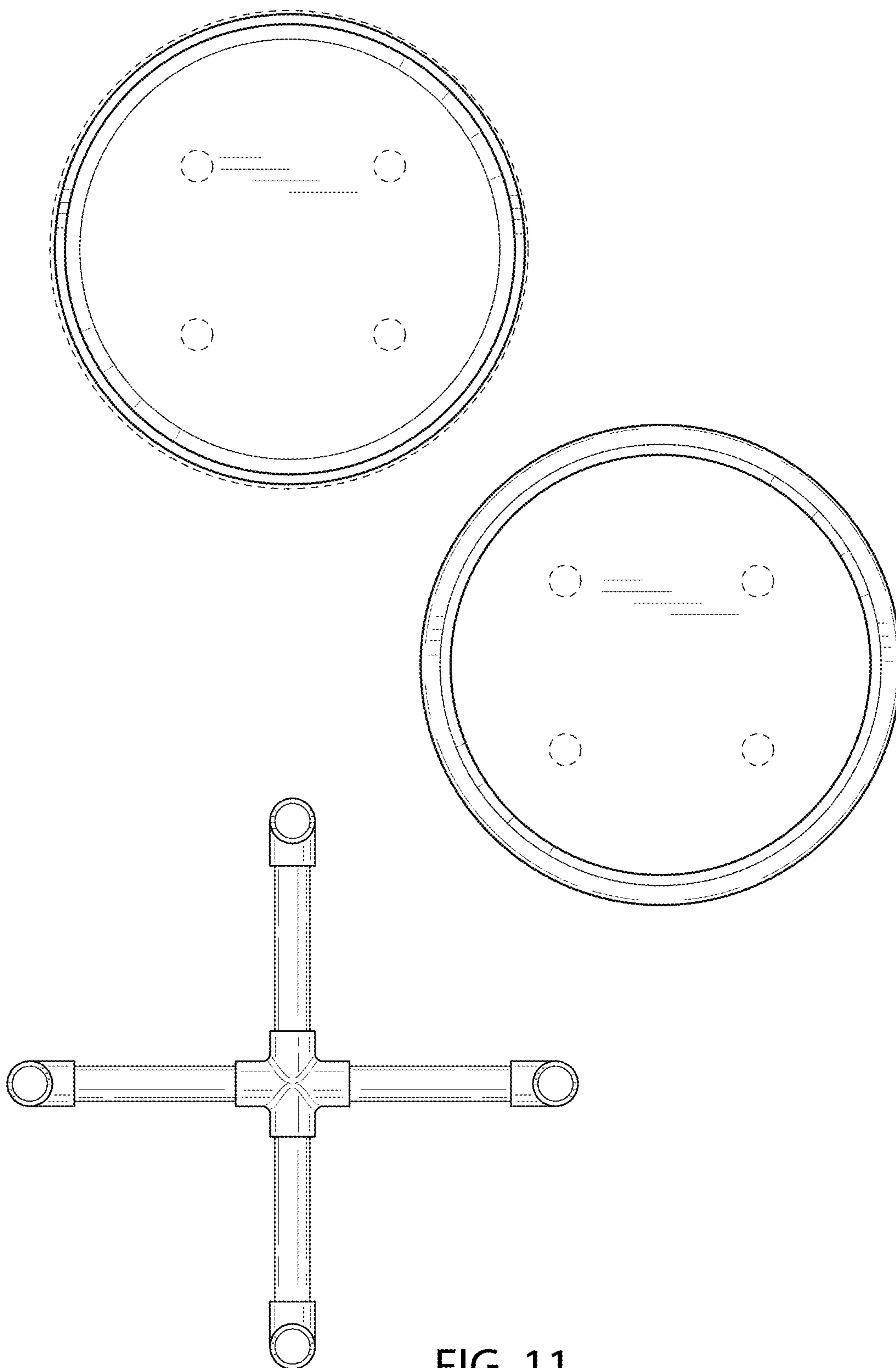


FIG. 11

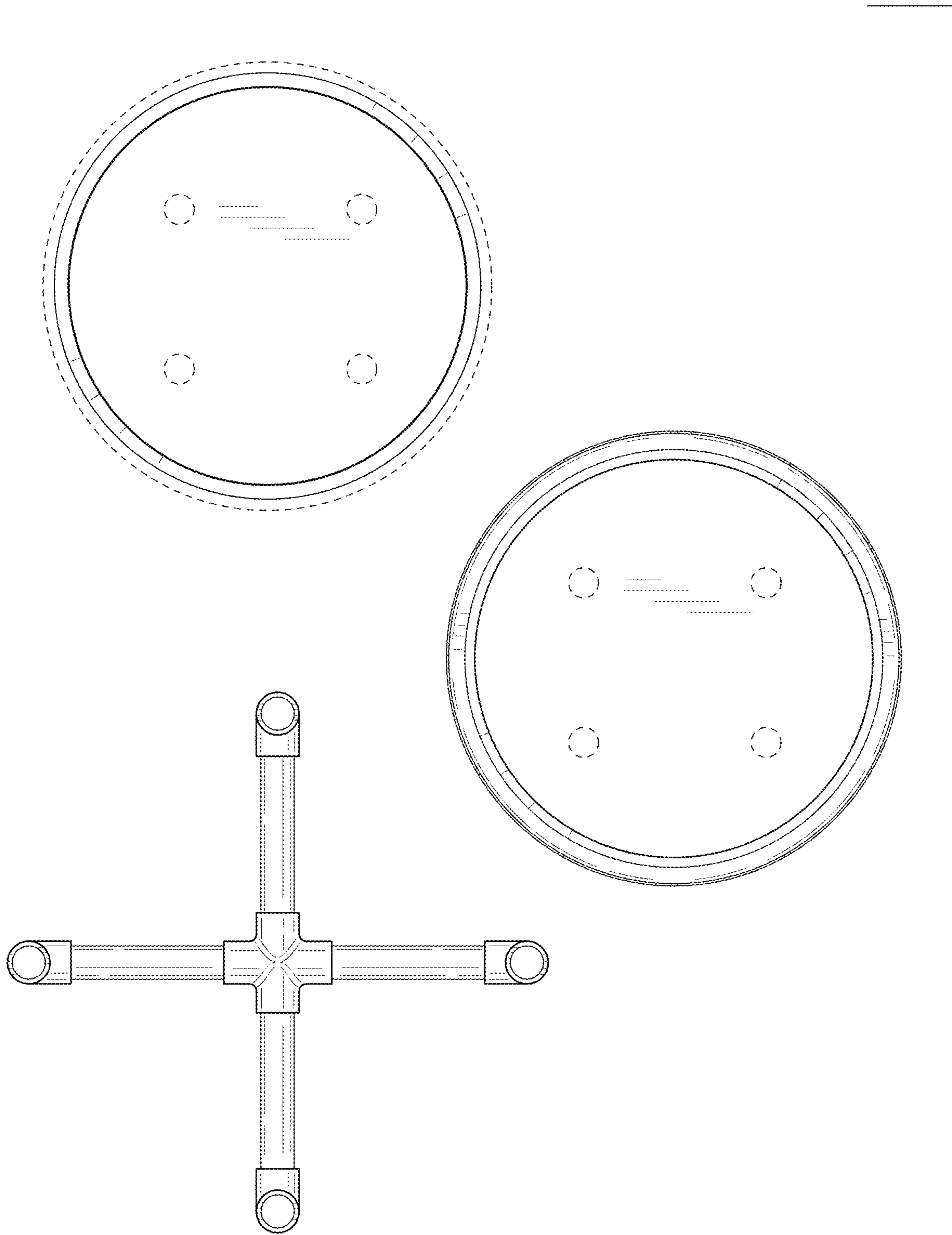


FIG. 12