

US00D869326S

(12) **United States Design Patent**
Pierce

(10) **Patent No.:** **US D869,326 S**

(45) **Date of Patent:** **** *Dec. 10, 2019**

(54) **ORNAMENT**

(71) Applicant: **Nancy Jean Pierce**, Los Angeles, CA
(US)

(72) Inventor: **Nancy Jean Pierce**, Los Angeles, CA
(US)

(*) Notice: This patent is subject to a terminal disclaimer.

(**) Term: **15 Years**

(21) Appl. No.: **29/605,794**

(22) Filed: **May 30, 2017**

(51) **LOC (12) Cl.** **11-05**

(52) **U.S. Cl.**
USPC **D11/121**

(58) **Field of Classification Search**
USPC D11/117, 121, 130, 131, 164, 1, 40, 47,
D11/79, 89; D21/406; D26/9, 20, 22
CPC A47G 33/004; A47G 33/008; A47G 33/08;
A47G 2033/0827; A44C 17/00; A44C
17/001; A44C 17/002; A44C 1/00; A44C
7/00; B44C 5/02; B44C 5/0407; B44C
5/0438; A63H 5/00

See application file for complete search history.

(56) **References Cited**

U.S. PATENT DOCUMENTS

529,743 A *	11/1894	Metzger	A41B 3/08 24/710.7
D37,213 S *	11/1904	Heisey	D26/9
D38,293 S *	10/1906	Booth	48/2
D389,947 S *	1/1998	Hutton	D26/110
D403,266 S *	12/1998	Burnett	D11/131
D554,278 S *	10/2007	Williams	D26/9
D591,869 S *	5/2009	Hurel	D26/22
D803,718 S *	11/2017	Pierce	D11/121

* cited by examiner

Primary Examiner — Elizabeth J Oswecki

(74) *Attorney, Agent, or Firm* — Eric Kelly

(57) **CLAIM**

The ornamental design for an ornament, as shown and described.

DESCRIPTION

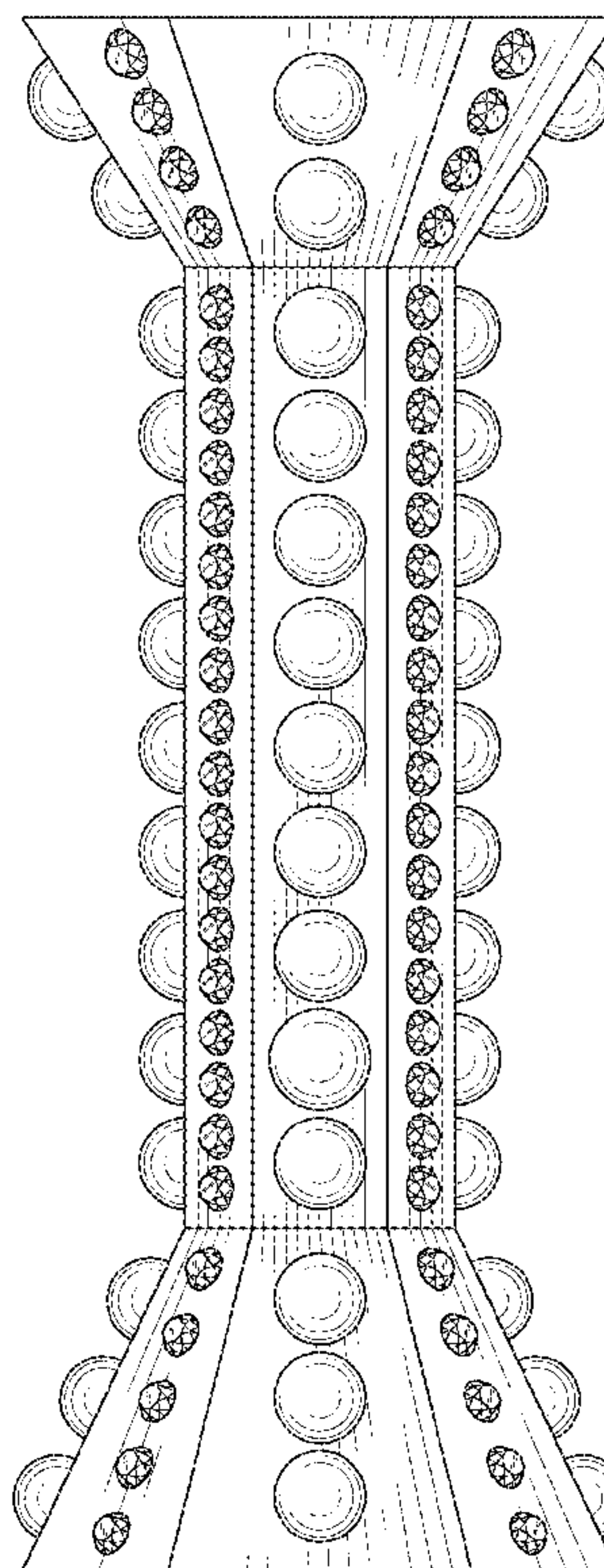
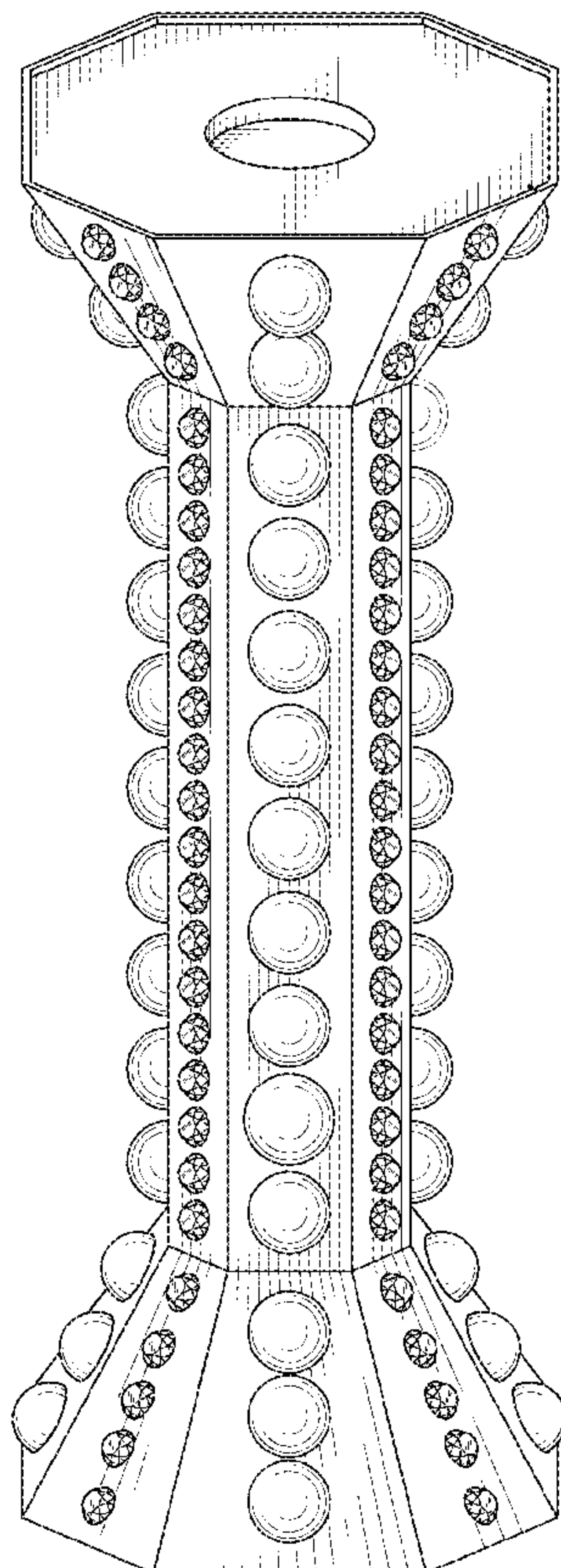
FIG. 1 is a top perspective view of an ornament, showing my new design;

FIG. 2 is a front view thereof, the back view, right side view, and left side views being identical;

FIG. 3 is a top view thereof; and,

FIG. 4 is a bottom view thereof.

1 Claim, 3 Drawing Sheets



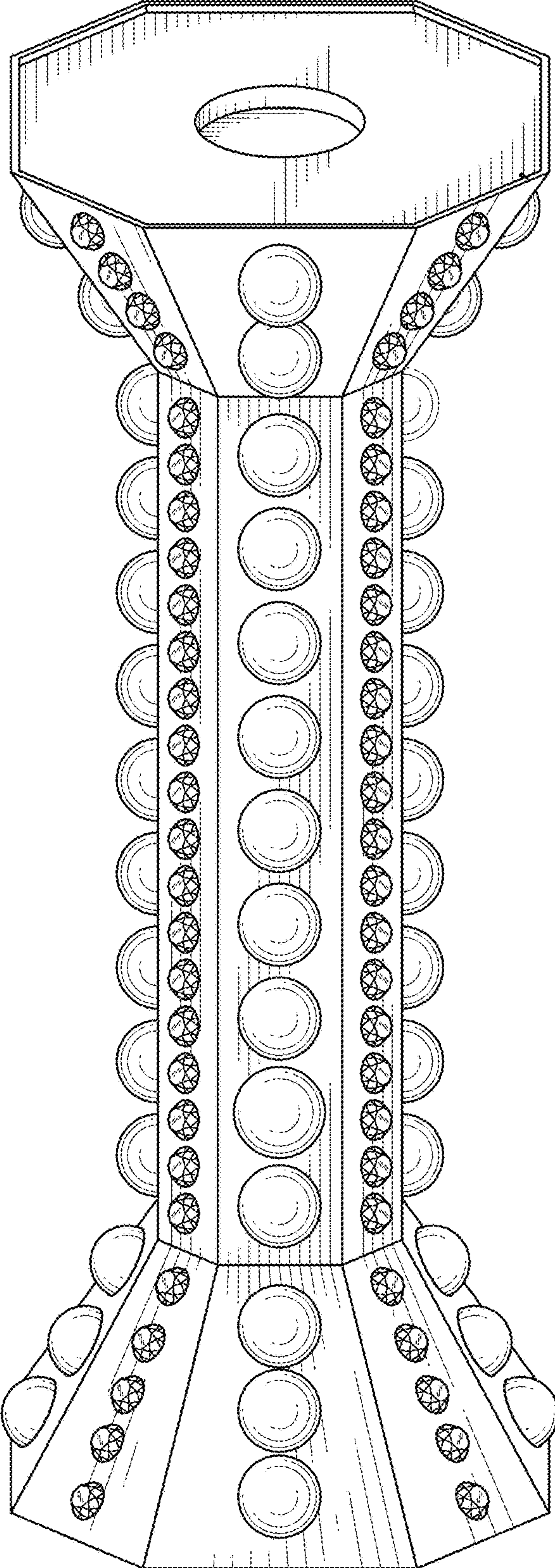


FIG. 1

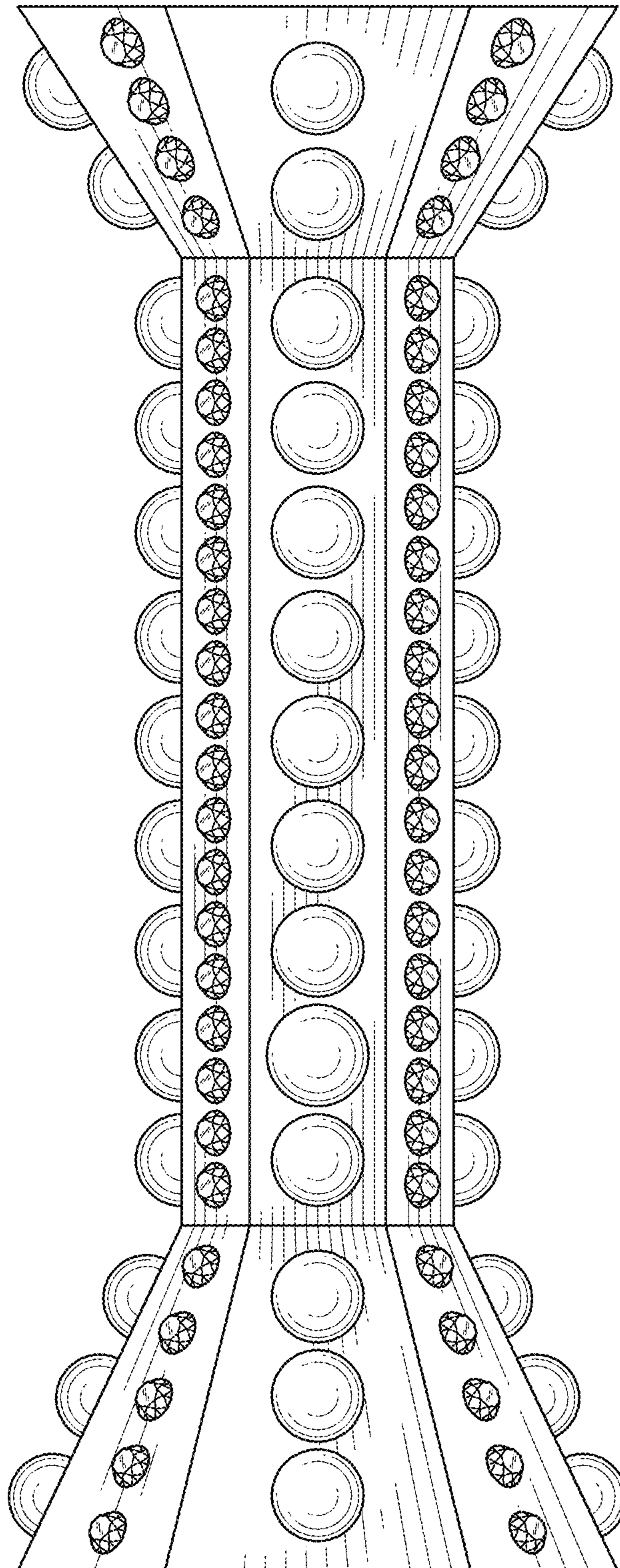


FIG. 2

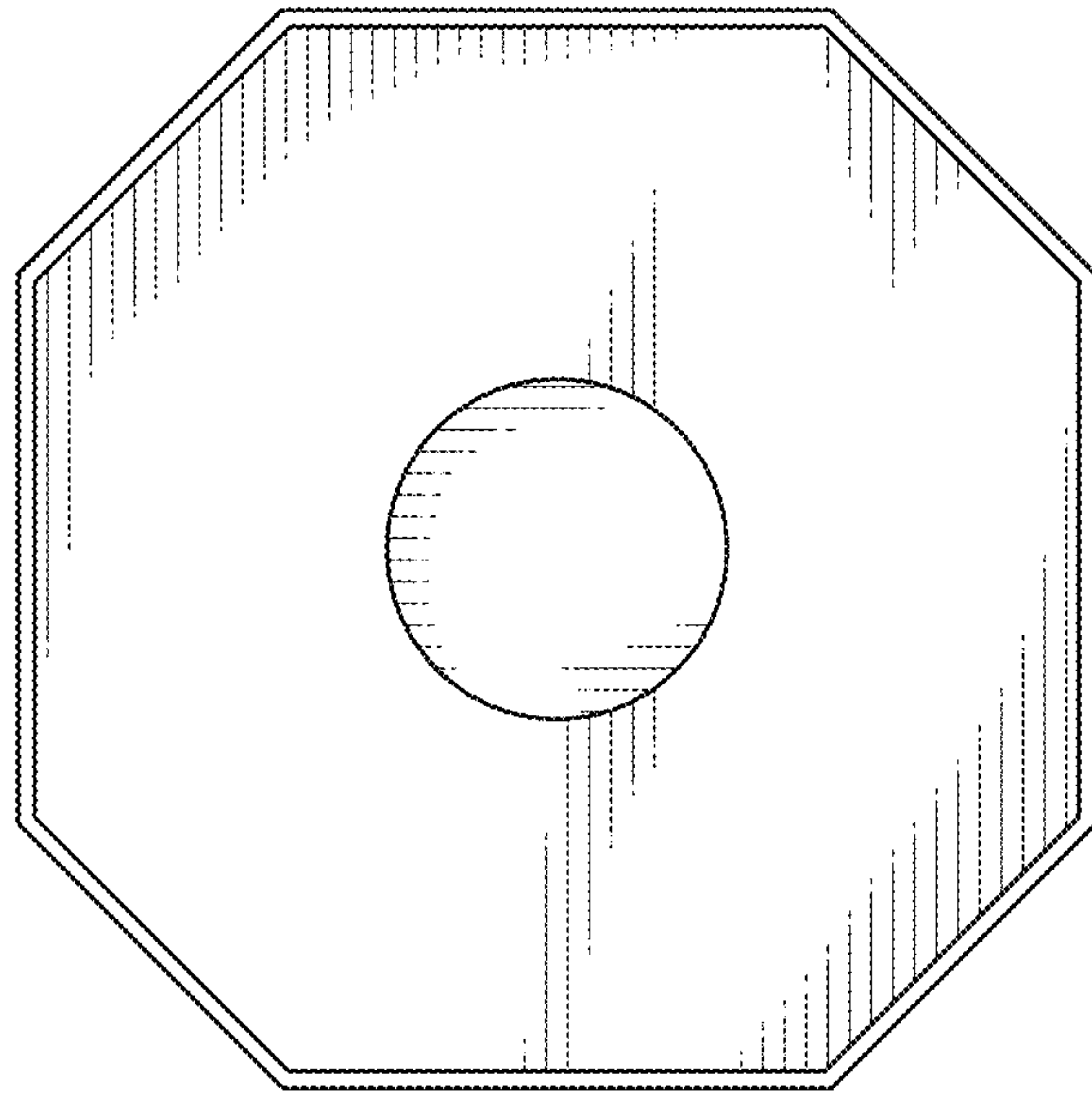


FIG. 3

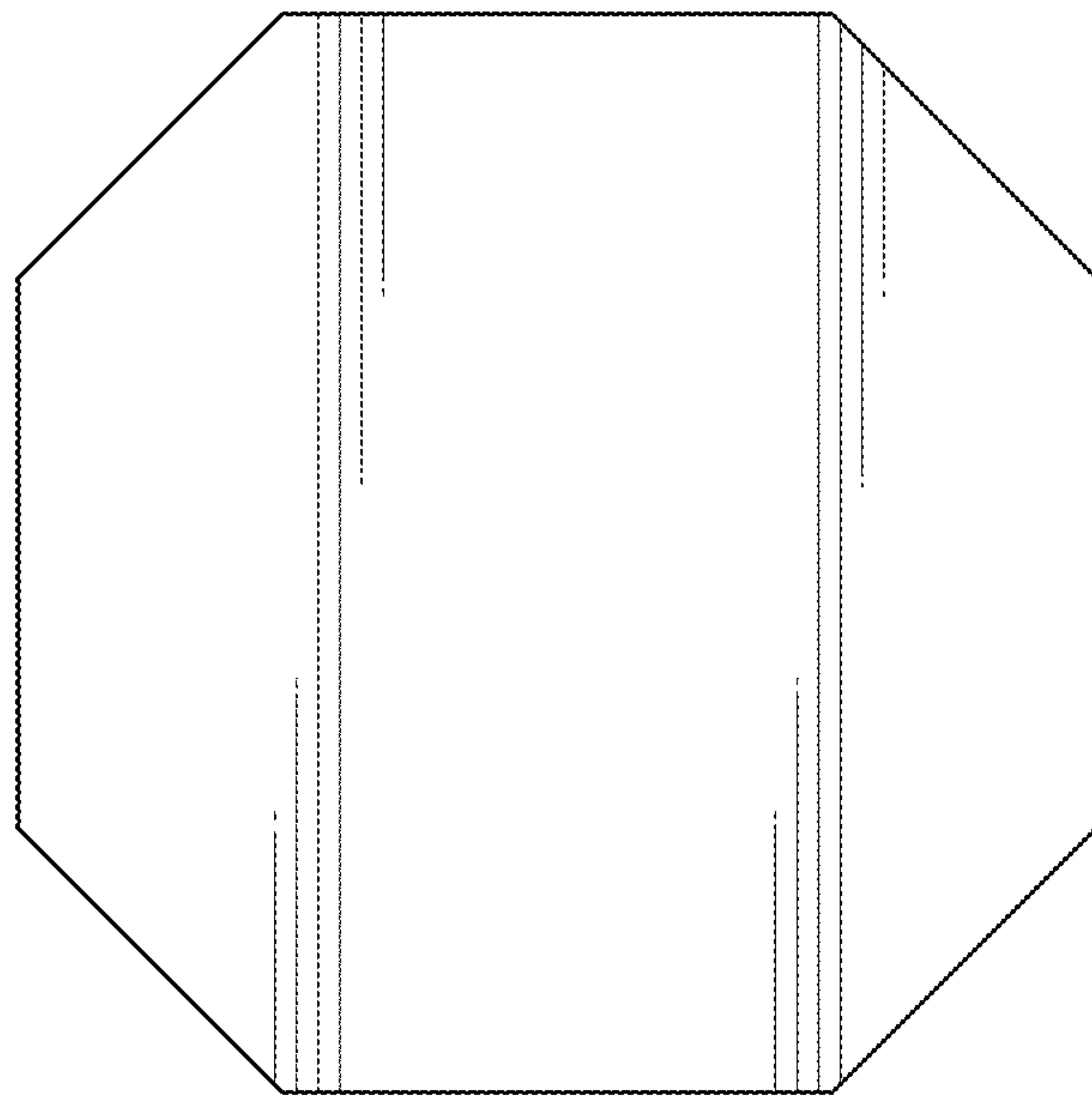


FIG. 4