



US00D869322S

(12) **United States Design Patent** (10) **Patent No.:** **US D869,322 S**  
**Akana et al.** (45) **Date of Patent:** **\*\* Dec. 10, 2019**

(54) **BAND**

(71) Applicant: **Apple Inc.**, Cupertino, CA (US)

(72) Inventors: **Jody Akana**, San Francisco, CA (US); **Bartley K. Andre**, Palo Alto, CA (US); **Shota Aoyagi**, San Francisco, CA (US); **Anthony Michael Ashcroft**, San Francisco, CA (US); **Jeremy Bataillou**, San Francisco, CA (US); **Daniel J. Coster**, San Francisco, CA (US); **Daniele De Iuliis**, San Francisco, CA (US); **M. Evans Hankey**, San Francisco, CA (US); **Julian Hoenig**, San Francisco, CA (US); **Richard P. Howarth**, San Francisco, CA (US); **Jonathan P. Ive**, San Francisco, CA (US); **Duncan Robert Kerr**, San Francisco, CA (US); **Marc A. Newson**, London (GB); **Matthew Dean Rohrbach**, San Francisco, CA (US); **Peter Russell-Clarke**, San Francisco, CA (US); **Benjamin Andrew Shaffer**, San Jose, CA (US); **Mikael Silvano**, San Francisco, CA (US); **Christopher J. Stringer**, Woodside, CA (US); **Eugene Antony Whang**, San Francisco, CA (US); **Rico Zörkendörfer**, San Francisco, CA (US)

(73) Assignee: **Apple Inc.**, Cupertino, CA (US)

(\*\*) Term: **15 Years**

(21) Appl. No.: **29/595,106**

(22) Filed: **Feb. 24, 2017**

**Related U.S. Application Data**

(63) Continuation of application No. 29/519,674, filed on Mar. 6, 2015, now Pat. No. Des. 780,059, which is a continuation of application No. 29/498,995, filed on Aug. 11, 2014, now Pat. No. Des. 724,469.

(51) **LOC (12) Cl.** ..... **11-01**

(52) **U.S. Cl.**

USPC ..... **D11/3**

(58) **Field of Classification Search**

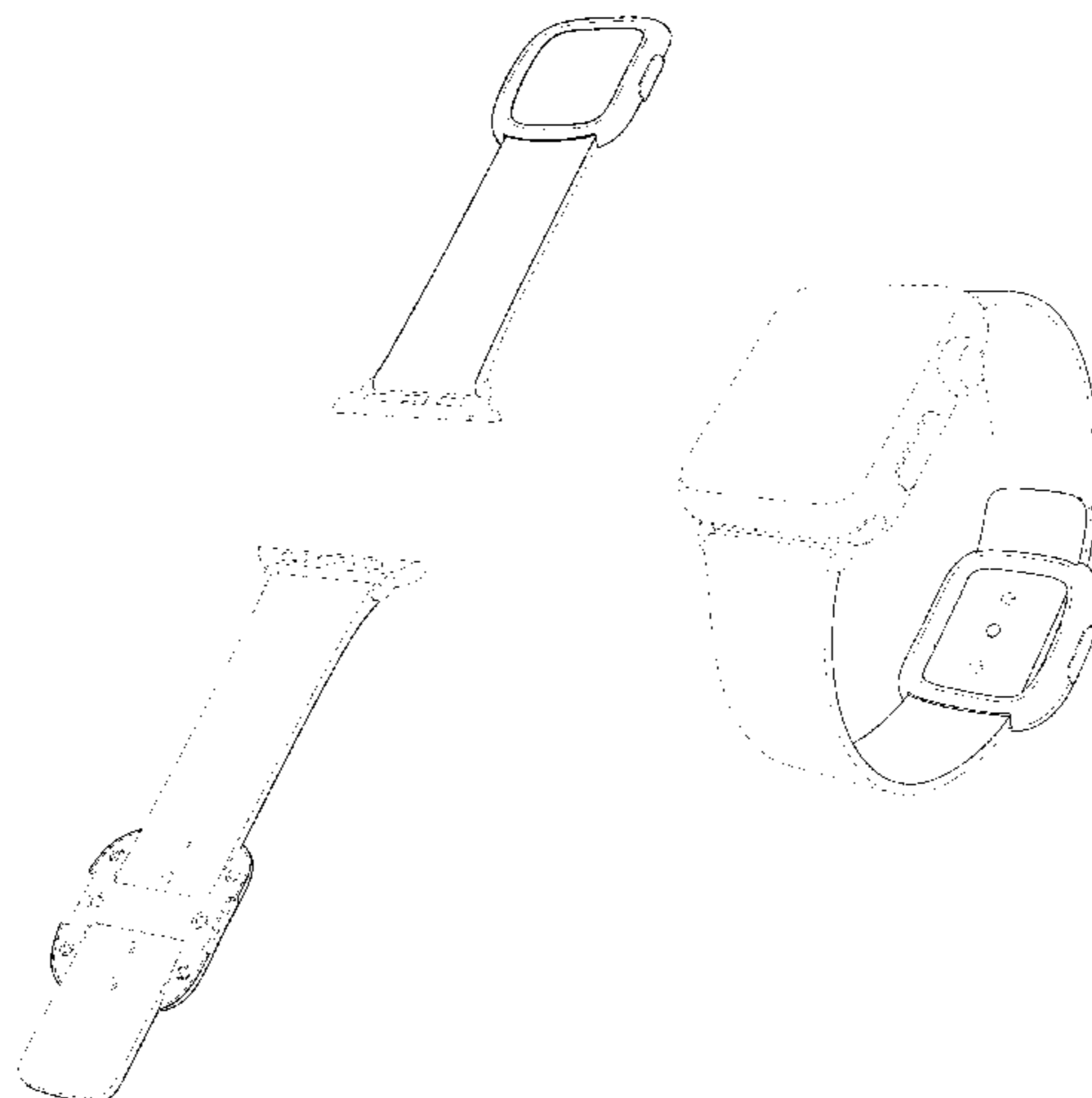
USPC ..... D11/1-7, 16, 40-45, 47-50, 52-54, D11/56-58, 61, 63, 75-86; D3/207-211; D10/30, 32, 38, 70, 128; D14/344  
CPC ..... A44C 1/00; A44C 5/00; A44C 5/0007; A44C 5/02; A44C 7/00; A44C 7/002; A44C 7/003; A44C 7/004; A44C 7/005; A44C 7/006; A44C 7/007; A44C 7/008; A44C 7/009; A44C 15/00; A44C 25/00; A44C 25/001; A44C 25/002; A44C 25/007

See application file for complete search history.

(56) **References Cited**

**U.S. PATENT DOCUMENTS**

482,289 A	9/1892	Ziegler	
505,473 A	9/1893	Mehring	
1,591,295 A	7/1926	Donaldson	
1,712,734 A	5/1929	Kraemer	
2,280,490 A	4/1942	Keltie	
D152,491 S	1/1949	Osier	
2,467,204 A *	4/1949	Greenberg	..... A44C 5/22 24/68 R
D163,987 S	7/1951	Barre	
2,749,634 A	6/1956	Billett et al.	
2,954,622 A	10/1960	Moore	
3,030,686 A	4/1962	Burkhardt	
3,251,110 A	5/1966	Hedu	
3,640,065 A	2/1972	Lederrey et al.	
3,665,565 A	5/1972	Kruger	
3,675,284 A	7/1972	Rieth	
3,889,411 A	6/1975	Laugherty et al.	
3,983,604 A	10/1976	Phillips	
D269,254 S	6/1983	Kishimoto	
4,470,174 A	9/1984	Rhea	
D287,471 S	12/1986	Sato et al.	
D299,718 S	2/1989	Steer et al.	
D305,422 S	1/1990	Steer et al.	
D320,566 S	10/1991	Ericson	
D331,020 S	11/1992	Ishii et al.	
D333,626 S	3/1993	Chang	
D349,864 S	8/1994	Dunlap et al.	
5,363,351 A	11/1994	Carney	
D355,375 S	2/1995	Bandy, II	
5,386,933 A	2/1995	Greene et al.	
D356,958 S *	4/1995	Schroeter	..... D10/30



# US D869,322 S

Page 2

5,758,443 A	6/1998	Pedrazzini		D751,070 S	3/2016	Akana et al.	
D439,172 S	3/2001	Brzezinski		D752,044 S	3/2016	Akana et al.	
D441,305 S *	5/2001	Modolo .....	D10/30	D753,008 S *	4/2016	Akana .....	D11/3
D455,093 S	4/2002	Fitzgerald		D756,357 S	5/2016	Akana et al.	
D473,818 S	4/2003	Salvisberg		D758,363 S	6/2016	Akana et al.	
6,655,831 B1	12/2003	Ruffieux		D759,011 S	6/2016	Akana et al.	
D494,098 S	8/2004	Cohen		D759,725 S	6/2016	Akana et al.	
D496,589 S	9/2004	Perrenoud		D763,719 S *	8/2016	Nielsen .....	D11/3
6,970,157 B2	11/2005	Siddeeq		D764,340 S	8/2016	Akana et al.	
D513,195 S	12/2005	Gruosi		D764,346 S	8/2016	Akana et al.	
7,004,469 B2	2/2006	Von Goeben		D766,752 S	9/2016	Akana et al.	
D519,052 S	4/2006	Watanabe		D768,025 S *	10/2016	Akana .....	D11/3
D528,439 S	9/2006	Burton		D768,634 S	10/2016	Akana et al.	
D528,928 S	9/2006	Burton		D771,035 S	11/2016	Akana et al.	
7,106,197 B2	9/2006	Gaiotto et al.		D771,036 S	11/2016	Akana et al.	
D530,228 S *	10/2006	Sengen .....	D10/32	D771,037 S	11/2016	Akana et al.	
D536,265 S	2/2007	Reynoso		D771,038 S *	11/2016	Akana .....	D14/344
D538,687 S	3/2007	Komulainen		D778,912 S	2/2017	Akana et al.	
D549,602 S	8/2007	Oberrieder et al.		D781,171 S *	3/2017	Akana .....	D11/3
D550,105 S	9/2007	Oberrieder et al.		D782,358 S *	3/2017	Akana .....	D11/94
D558,227 S	12/2007	Cho et al.		D791,188 S *	7/2017	Akana .....	D10/32
D560,520 S	1/2008	Oberrieder et al.		D798,189 S *	9/2017	Nielsen .....	D10/128
D564,367 S	3/2008	Molyneux		D798,760 S *	10/2017	Akana .....	D11/3
D566,580 S	4/2008	Giorgio		D805,513 S *	12/2017	Akana .....	D14/344
D569,282 S	5/2008	Daniel		D822,525 S *	7/2018	Akana .....	D11/3
D572,266 S	7/2008	Anderson et al.		10,058,148 B1 *	8/2018	Wittenberg .....	A44C 5/147
D573,905 S	7/2008	Poirier		D828,352 S *	9/2018	Akana .....	D14/344
D574,735 S	8/2008	Landman et al.		D837,674 S *	1/2019	Akana .....	D11/3
7,406,789 B2	8/2008	Story		D859,201 S *	9/2019	Akana .....	D11/3
D578,922 S	10/2008	Hoshino		2010/0061191 A1	3/2010	Chen	
D584,170 S	1/2009	Morrison		2014/0096345 A1	4/2014	Tschumi	
D586,823 S	2/2009	Anderson et al.		2014/0098649 A1	4/2014	Tschumi	
D589,375 S	3/2009	Tang		2016/0037879 A1 *	2/2016	Qian .....	A44B 11/258
D596,610 S	7/2009	Hou					24/3.2
7,591,581 B2	9/2009	Lovegrove et al.					
D610,476 S	2/2010	Daniel					
D616,417 S	5/2010	Liao					
7,708,457 B2	5/2010	Girardin et al.					
D628,510 S	12/2010	Maier					
D637,094 S	5/2011	Cobbett et al.					
D637,918 S	5/2011	Cobbett et al.					
D645,360 S	9/2011	Kiser et al.					
D650,706 S	12/2011	Zanella et al.					
D666,503 S	9/2012	Bulgari					
D670,583 S	11/2012	Shaanan					
D672,667 S	12/2012	Mix					
D681,483 S	5/2013	Biegert et al.					
8,601,784 B2	12/2013	Kaltenrieder					
D699,143 S	2/2014	Xu					
D699,701 S	2/2014	Kim					
D711,002 S	8/2014	Ohnemus et al.					
D714,288 S	9/2014	Aumiller et al.					
D717,678 S	11/2014	Anderssen et al.					
D717,679 S	11/2014	Anderssen et al.					
D718,170 S	11/2014	Aumiller et al.					
D724,469 S	3/2015	Akana et al.					
D724,556 S	3/2015	Choi et al.					
D727,197 S	4/2015	Akana et al.					
D727,198 S	4/2015	Akana et al.					
D727,199 S	4/2015	Akana et al.					
D728,624 S	5/2015	Akana et al.					
D729,079 S *	5/2015	Phillips .....	D10/103				
D731,346 S	6/2015	Akana et al.					
D732,416 S *	6/2015	Akana .....	D11/3				
D737,156 S	8/2015	Akana et al.					
D737,157 S	8/2015	Akana et al.					
D737,158 S	8/2015	Akana et al.					
D737,159 S	8/2015	Akana et al.					
D739,780 S	9/2015	Akana et al.					
D741,726 S	10/2015	Akana et al.					
D744,356 S	12/2015	Akana et al.					
D745,421 S	12/2015	Akana et al.					
D746,707 S	1/2016	Akana et al.					
D748,008 S	1/2016	Akana et al.					
D748,009 S	1/2016	Akana et al.					
D748,010 S	1/2016	Akana et al.					
D748,527 S	2/2016	Akana et al.					
D749,009 S	2/2016	Akana et al.					
D749,460 S	2/2016	Akana et al.					

## FOREIGN PATENT DOCUMENTS

CN	303590256	*	2/2016
DE	10229050	C1	6/2003
DE	20319858	U1	4/2004
EP	1098231	A1	5/2001
EP	2636328	A1	9/2013
ES	002297770-0003		6/2013
GB	618917	A	3/1949
GB	2082277		6/1999
GB	2088761		2/2000
JP	H08336406	A	12/1996
JP	D1140196		4/2002
JP	D1263841		2/2006
JP	D1279761		8/2006
JP	D1296110		3/2007
JP	D1380179		2/2010
JP	D1494268		4/2014
JP	D1511746		11/2014
WO	WO-DM/012262-001		1/1989
WO	WO-DM/066491-004		3/2005
WO	WO-DM072215		9/2009
WO	WO-DM/077452-004		6/2011
WO	WO-2013182397	A1	12/2013
WO	WO-2014135709	A2	9/2014

## OTHER PUBLICATIONS

Alvarez, Edgar, "Basis Peak to get its smartwatch-like features in December," [engadget.com](http://www.engadget.com/2014/11/20/basis-peak-new-features/), <<http://www.engadget.com/2014/11/20/basis-peak-new-features/>>, dated Nov. 20, 2014, accessed Dec. 15, 2014.

Cool Material, "Braun Square Digital Watch," <<http://web.archive.org/web/20111125033014/http://coolmaterial.com/style/braun-square-digital-watch/>>, dated Nov. 25, 2011, accessed Dec. 18, 2014.

Emily, "Nixon—The Newton Digital," <<http://www.freshnessmag.com/2009/09/08/nixon-the-newton-digital/>>, freshnessmag.com, dated Sep. 8, 2009, accessed Oct. 9, 2014.

etsy.com, "1 Set Silver End Cap Clasp—Findings Large Toggle Clasp End Caps Buckle Connector with Five Inside Loops for Jewelry Making 26mm," <<http://www.etsy.com/listing/101269004/1-set-silver-end-cap-clasp-findings?ref=market>>, Listed on Aug. 29, 2014, accessed Oct. 9, 2014.

Fitbit, “Fitbit Surge™ Fitness Super Watch” < <https://www.fitbit.com/surge>>, accessed Dec. 15, 2014.

geekbuying.com, “Makibes unisex red led digital wrist watch with square case silicone watchband—white,” < <http://www.geekbuying.com/item/Unisex-Red-LED-Digital-Wrist-Watch-with-Square-Case-Silicone-Watchband-White-326443.html>>, accessed Oct. 9, 2014.

Hodinkee.com, “Apple iPod Nano Now Available With Mickey Mouse Dial, Also Cheesy, Mechanically Inaccurate Open-Worked Dial,” < <http://web.archive.org/web/20111006043916/http://www.hodinkee.com/blog/2011/10/5/apple-ipod-nano-now-available-with-mickey-mouse-dial-also-ch.html>>, dated Oct. 6, 2011, accessed Dec. 18, 2014.

Homego, “M6 Silver Smart Watch Cell Phone 1.54 inch Bluetooth 3.0 Dialer Outdoor Sports Pedometer,” amazon.com, < <http://www.amazon.com/Silver-Bluetooth-Dialer-Outdoor-Pedometer/dp/B00MQTBGK6>>, accessed Dec. 15, 2014.

Ikepod, “Original Ikepod Watch With GMT—Marc Newson Design,” Watchbox.be, < <http://www.watchbox.be/prod/Others-Watches/Marc%20Newson%20Design/item7165.htm#.VJLm2fAo5D8>>, accessed Dec. 17, 2014.

LG Life’s Good, “LG G Watch (W100),” < <http://www.lg.com/us/smart-watches/lg-W100-g-watch>>, accessed Dec. 18, 2014.

Metawatch, “Frame—Black (MW3005),” < <http://meta.watch/collections/smartwatch-all/products/frame-ss-black-leather>>, accessed Dec. 15, 2014.

Omate, “The TrueSmart™ is the world’s first standalone smartwatch 2.0 running on top of Android and OUI 2.0,” < <http://www.omate.com/product.html>>, accessed Dec. 15, 2014.

[Online] < <http://everydaydigitals.com/heres-what-i-think/21/apples-wearable-device-will-be-more-nike-fuel-band-than-pebble-watch>> Retrieved on Dec. 25, 2014.

[Online] < <http://www.computerworlduk.com/slideshow/mobile-wireless/3573389/the-many-looks-of-the-apple-watch/6/#content>> Retrieved on Dec. 25, 2014.

[Online] [http://i.ytimg.com/vi/Ab\\_oapZ8GpM/maxresdefault.jpg](http://i.ytimg.com/vi/Ab_oapZ8GpM/maxresdefault.jpg), accessed on Mar. 30, 2015.

[Online] <http://ttb.thetechblock.netdna-cdn.com/wp-content/uploads/2014/09/apple-watch-31.jpg>, accessed on Mar. 30, 2015.

Pebble, “Pebble Smartwatch,” getpebble.com, < <https://getpebble.com/checkout>>, accessed Dec. 15, 2014.

Samsung, “Samsung Gear™ 2 Charcoal Black SM-R3800VSAXAR,” < <http://www.samsung.com/us/mobile/wearable-tech/SM-R3800VSAXAR>>, accessed Dec. 15, 2014.

Samsung, “Samsung Gear S™, (Sprint), Black SM-R750PZKASPR,” < <http://www.samsung.com/us/mobile/wearable-tech/SM-R750PZKASPR>>, accessed Dec. 15, 2014.

Samsung, “Galaxy Gear™ Live, Black SM-R3820ZKAXAR,” < <http://www.samsung.com/us/mobile/wearable-tech/SM-R3820ZKAXAR>>, accessed Dec. 15, 2014.

Sony, “SmartWatch,” < <http://www.sonymobile.com/us/products/accessories/smartwatch/>>, accessed Dec. 15, 2014.

Sony, “SmartWatch 3 SWR50,” < <http://www.sonymobile.com/us/products/smartwear/smartwatch-3-swr50/>>, accessed Dec. 15, 2014.

Stables, James, “Clevercare smartwatch aims to help Alzheimer’s suffers and carers: Revamped Sony SmartWatch 2 designed for users that need care,” Wearable News, < <http://www.wearable.com/>

wearable-tech/clevercare-smartwatch-aims-to-help-alzheimers-suffers-and-carers-585>, dated Dec. 15, 2014.

Team Luxe, “Collector’s Edition: Hermes Carre H Watch,” Luxpresso, < <http://luxpresso.com/news-couture/collectors-edition-hermes-carre-h-watch/2814>>, dated Jan. 10, 2011, accessed Dec. 18, 2014.

Ted Baker, “Ted Baker Men’s TE1054 Time Flies Contemporary Square Digital Case Watch,” < <http://www.amazon.com/Ted-Baker-TE1054-Contemporary-Digital/dp/B0045CRTYO%3FSubscriptionId%3DAKIAJ3U4YRIBWCGGKZ2A%26tag%3Dfrases365-20%26linkCode%3Dsp1%26camp%3D2025%26creative%3D165953%26creativeASIN%3DB0045CRTYO>>, accessed Oct. 9, 2014.

Velazco, Chris, “ASUS ZenWatch review: subtle and stylish, with a few shortcomings,” Engadget.com, < <http://www.engadget.com/2014/12/11/asus-zenwatch-review/>>, dated Dec. 11, 2014, accessed Dec. 15, 2014.

Watches Infoniac.com, “Hermes Carre H Watch—Extremely Contemporary Design,” < <http://watches.infoniac.com/carre-h-watch-hermes.html>>, dated Aug. 13, 2010, accessed Dec. 18, 2014.

Watchismo, “Braun BN0042 Black Date Leather,” < <http://web.archive.org/web/20130815073830/http://www.watchismo.com/braun-bn0042bkbk.aspx>>, dated Aug. 15, 2013, accessed Dec. 18, 2014.

\* cited by examiner

*Primary Examiner* — Michael A. Pratt

*Assistant Examiner* — Wendy L Arminio

(74) *Attorney, Agent, or Firm* — Sterne, Kessler, Goldstein & Fox P.L.L.C.

(57)

## CLAIM

The ornamental design for a band, as shown and described.

## DESCRIPTION

FIG. 1 is a bottom front perspective view of a band showing the claimed design;

FIG. 2 is a bottom rear perspective view thereof;

FIG. 3 is a front view thereof;

FIG. 4 is a rear view thereof;

FIG. 5 is a left side view thereof;

FIG. 6 is a right side view thereof;

FIG. 7 is a top view thereof; and

FIG. 8 is a bottom view thereof; and,

FIG. 9 is a perspective view thereof showing the band in an environment in which it may be used.

The broken lines in the figures show portions of the band and environment that form no part of the claimed design.

**1 Claim, 6 Drawing Sheets**

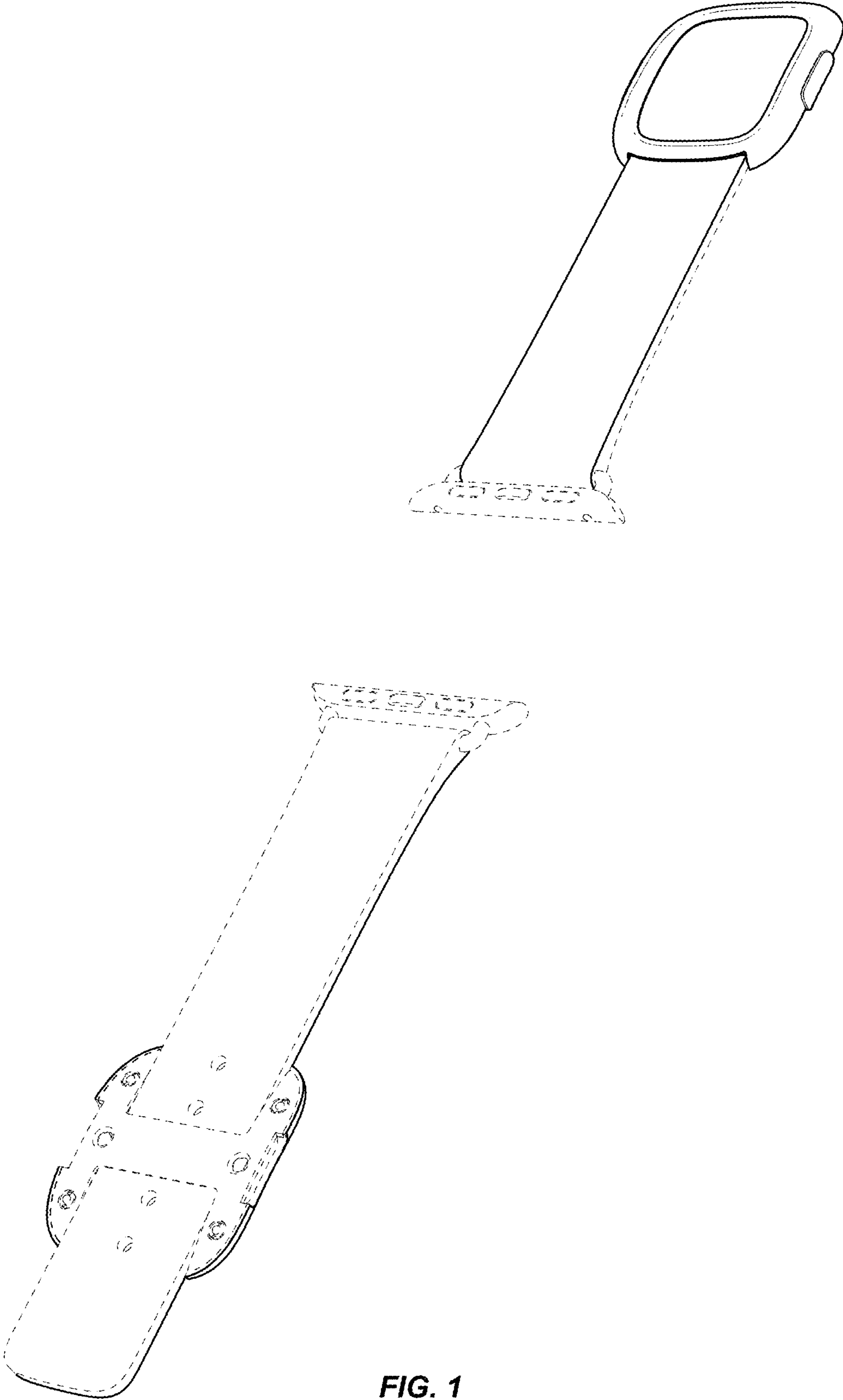
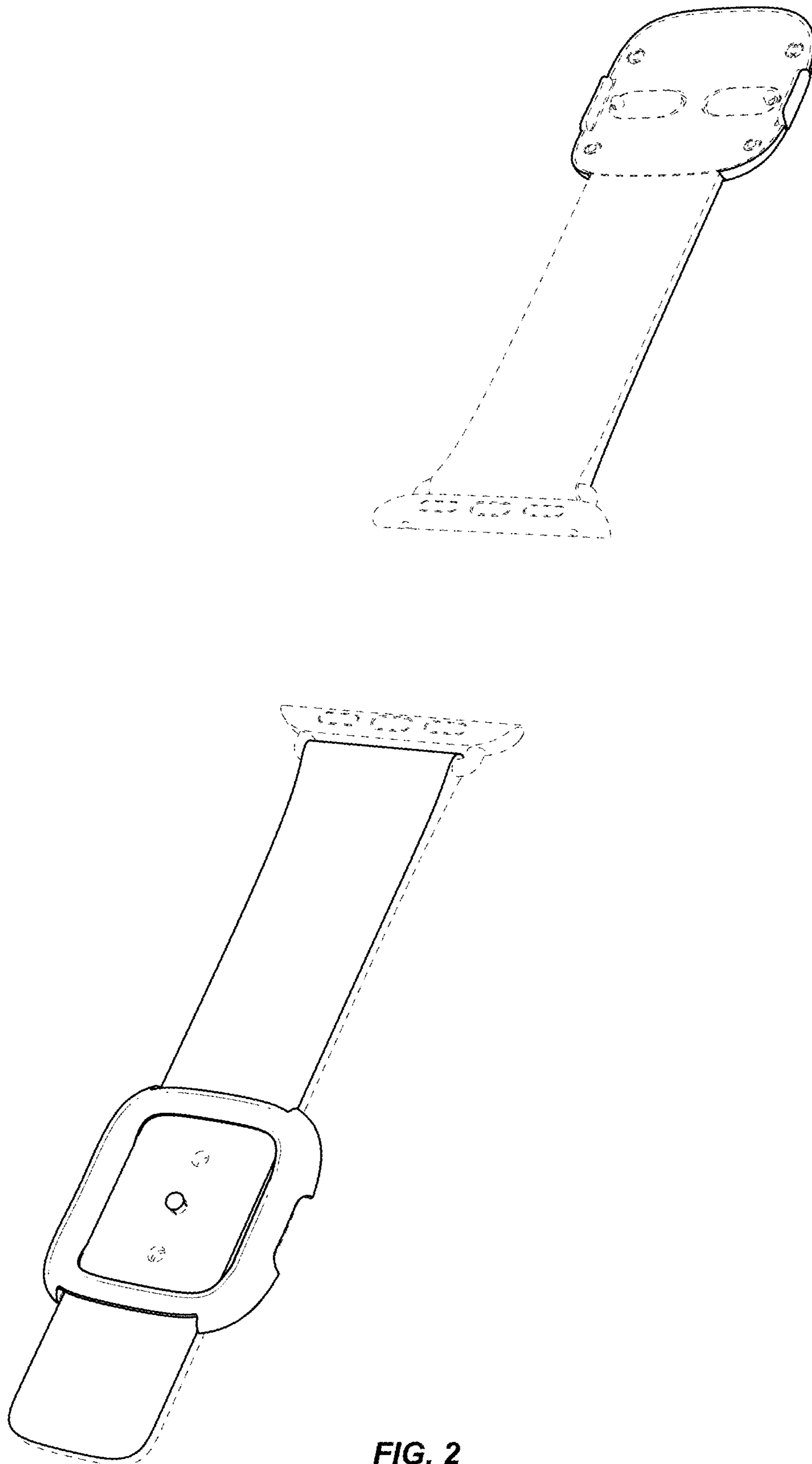
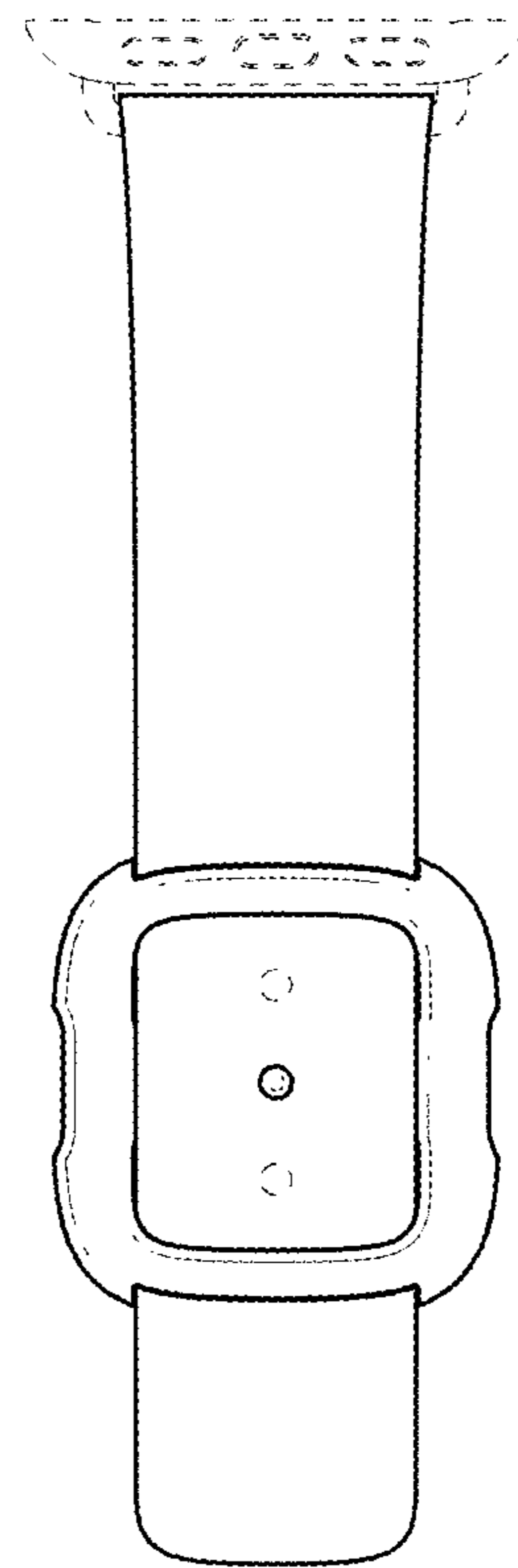
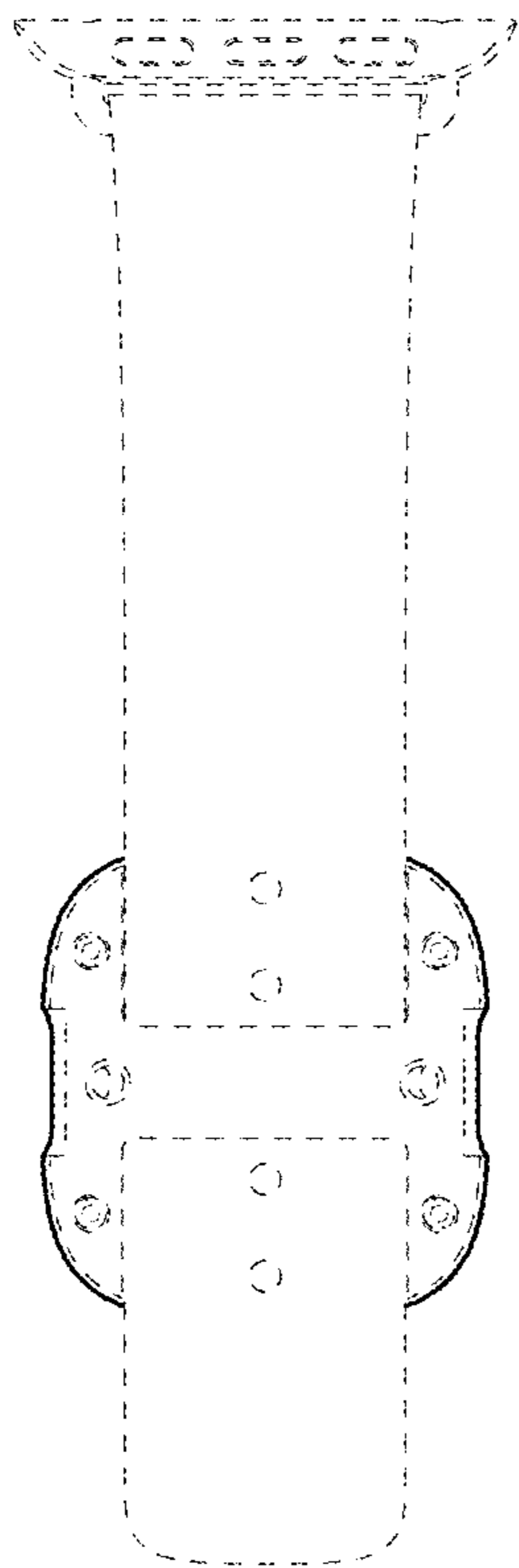
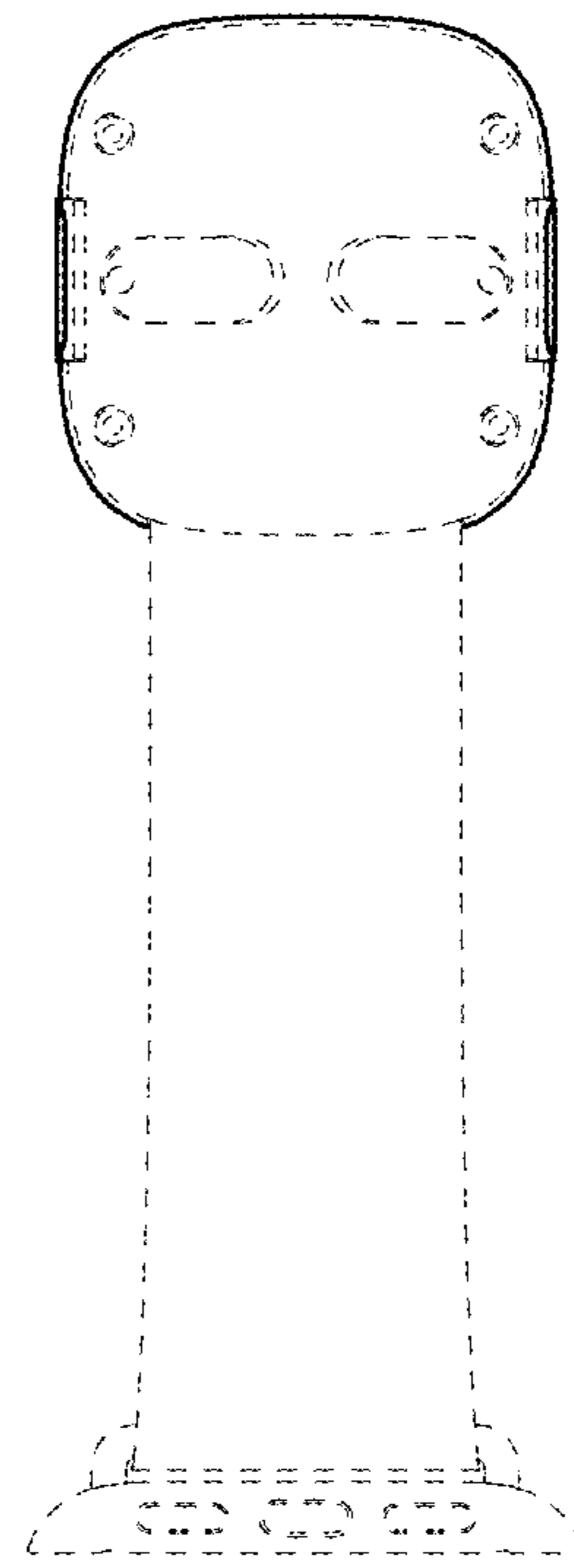
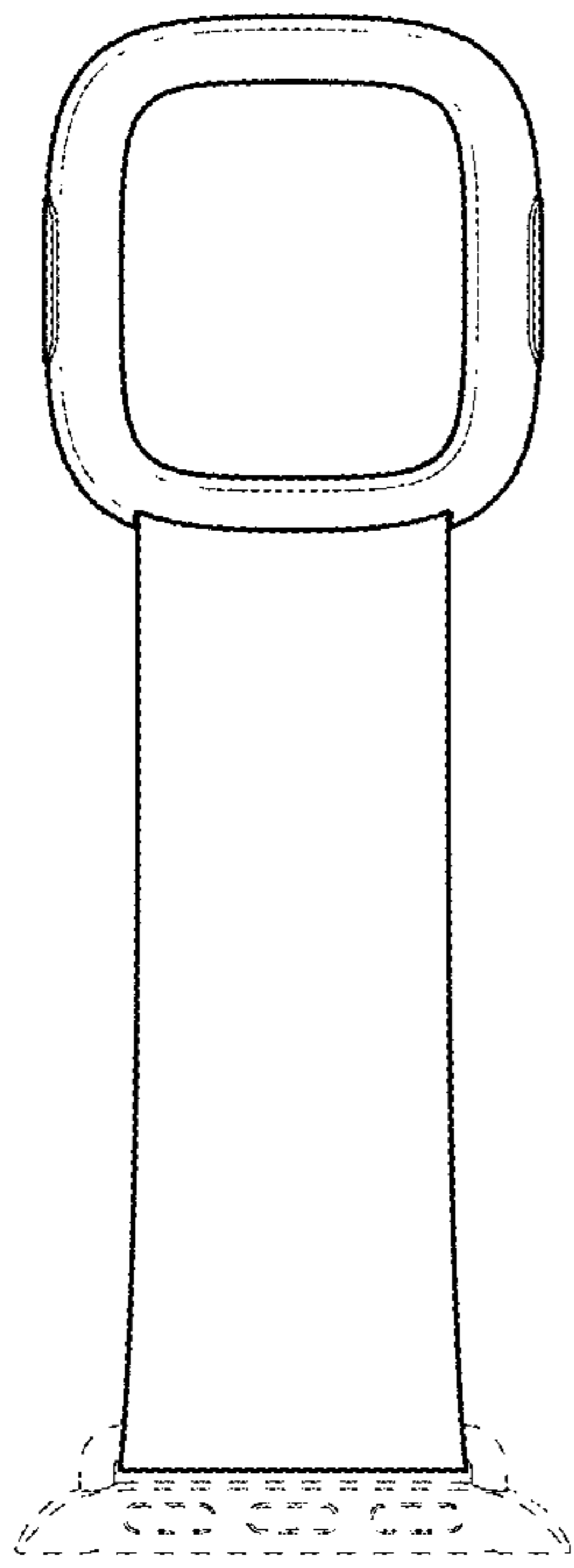


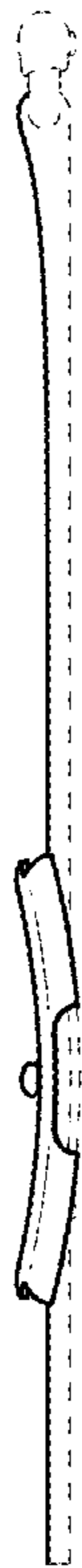
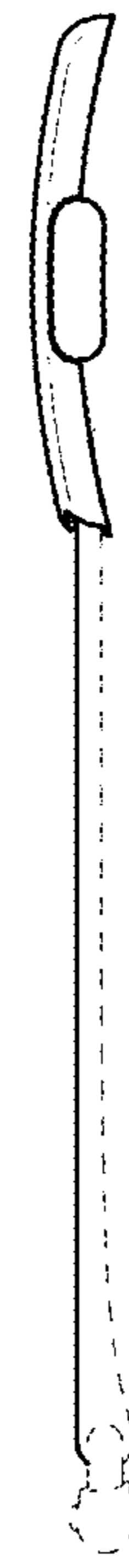
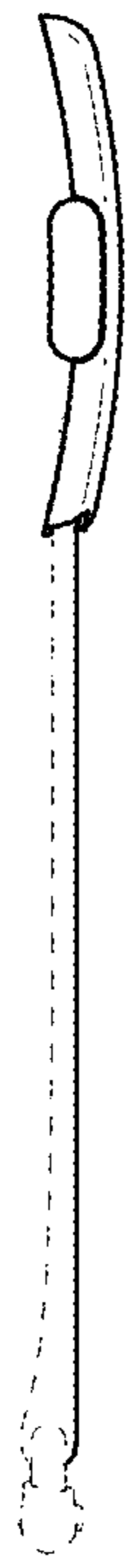
FIG. 1





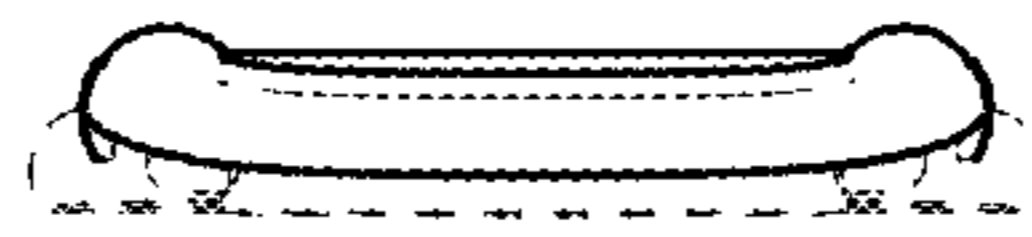
**FIG. 3**

**FIG. 4**

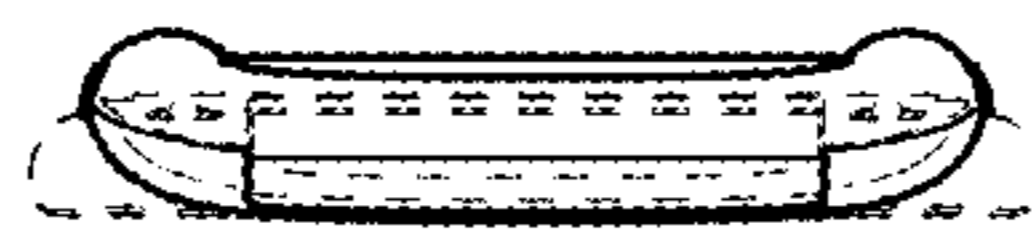


**FIG. 5**

**FIG. 6**

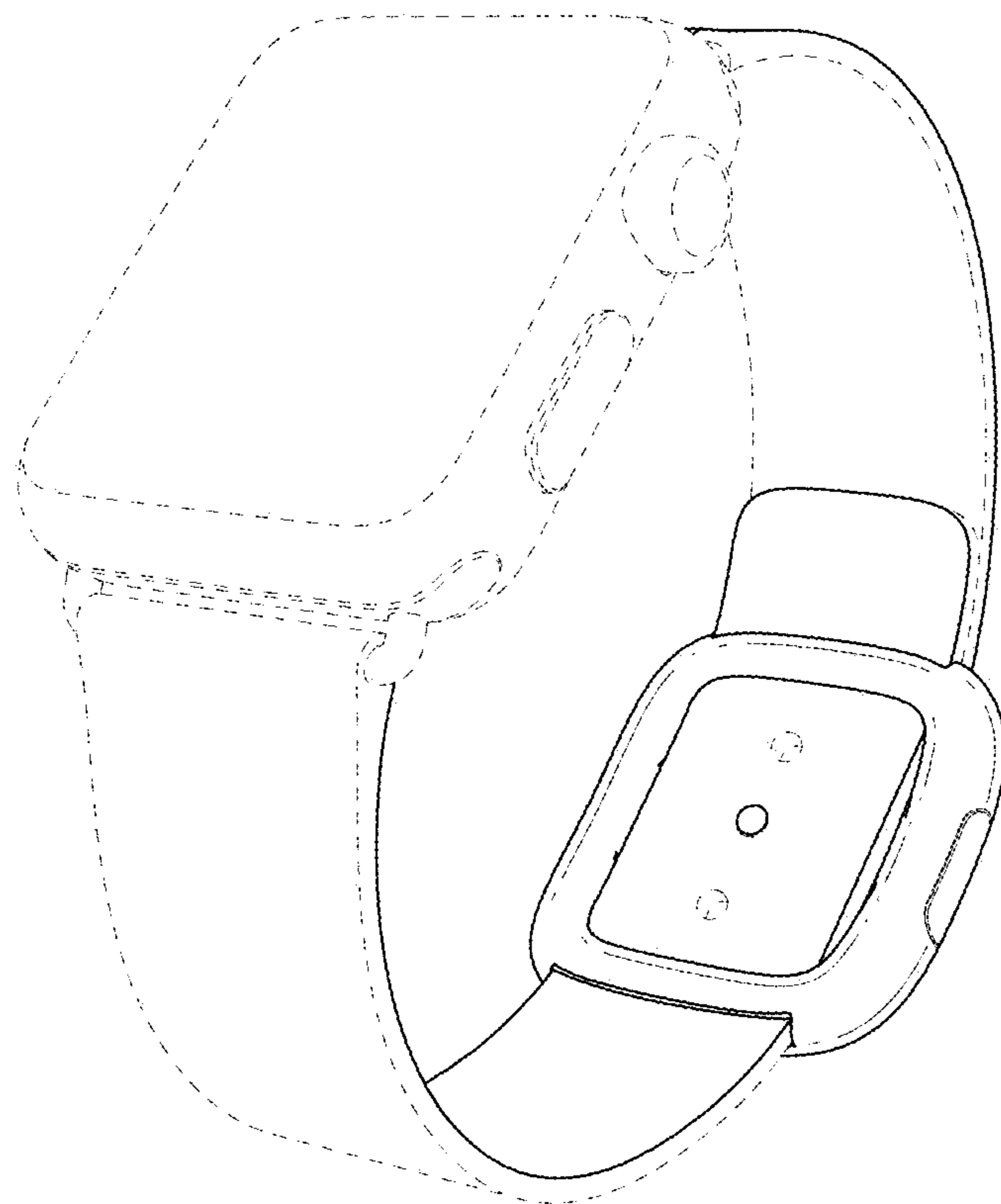


**FIG. 7**



**FIG. 8**





**FIG. 9**