



US00D869315S

(12) **United States Design Patent** (10) **Patent No.:** **US D869,315 S**
Zong et al. (45) **Date of Patent:** **** Dec. 10, 2019**

(54) **ELECTRONIC SCALE**

(71) Applicant: **OHAUS Instruments (Changzhou) Co. Ltd.**, Changzhou, Jiangsu (CN)

(72) Inventors: **Zehua Zong**, Jiangsu (CN); **Liping Zhao**, Jiangsu (CN)

(73) Assignee: **OHAUS Instruments (Changzhou) Co. Ltd.**, Changzhou, Jiangsu (CN)

(**) Term: **15 Years**

(21) Appl. No.: **29/659,367**

(22) Filed: **Aug. 8, 2018**

(30) **Foreign Application Priority Data**

Feb. 13, 2018 (CN) 2018 3 0069739

(51) **LOC (12) Cl.** **10-04**

(52) **U.S. Cl.**
USPC **D10/91**

(58) **Field of Classification Search**
USPC D10/91, 92
CPC G01G 21/28; G01G 21/283; G01G 21/286;
G01G 21/30; G01G 23/37; G01G
23/3728; G01G 23/3735; G01G 19/44;
G01G 19/445; G01G 19/46; G01G 19/48;
G01G 19/50; G01G 21/44

See application file for complete search history.

(56) **References Cited**

U.S. PATENT DOCUMENTS

D817,797 S *	5/2018	Huckestein	D10/91
D841,502 S *	2/2019	Wu	D10/91
D848,886 S *	5/2019	Zhou	D10/91
D852,075 S *	6/2019	Huang	D10/91

* cited by examiner

Primary Examiner — Antoine Duval Davis

(74) *Attorney, Agent, or Firm* — Standley Law Group LLP; Jeffrey S. Standley; Stephen L. Grant

(57) **CLAIM**

The ornamental design for an electronic scale, as shown and described.

DESCRIPTION

FIG. 1 is a right front perspective view of the electronic scale;

FIG. 2 is a left side elevation view thereof;

FIG. 3 is a top plan view thereof;

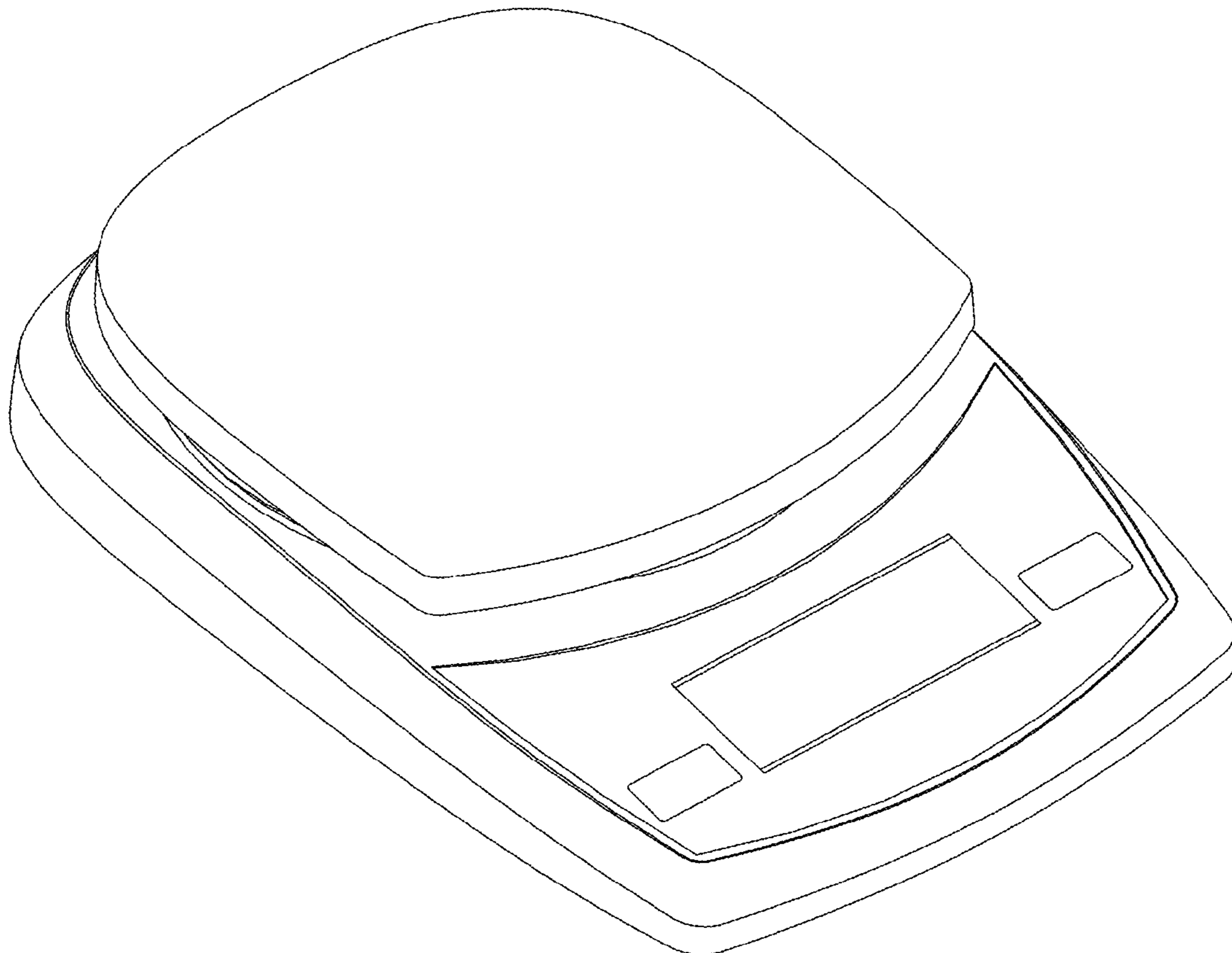
FIG. 4 is a right side elevation view thereof;

FIG. 5 is a bottom plan view thereof;

FIG. 6 is a front elevation view thereof; and,

FIG. 7 is a rear elevation view thereof.

1 Claim, 7 Drawing Sheets



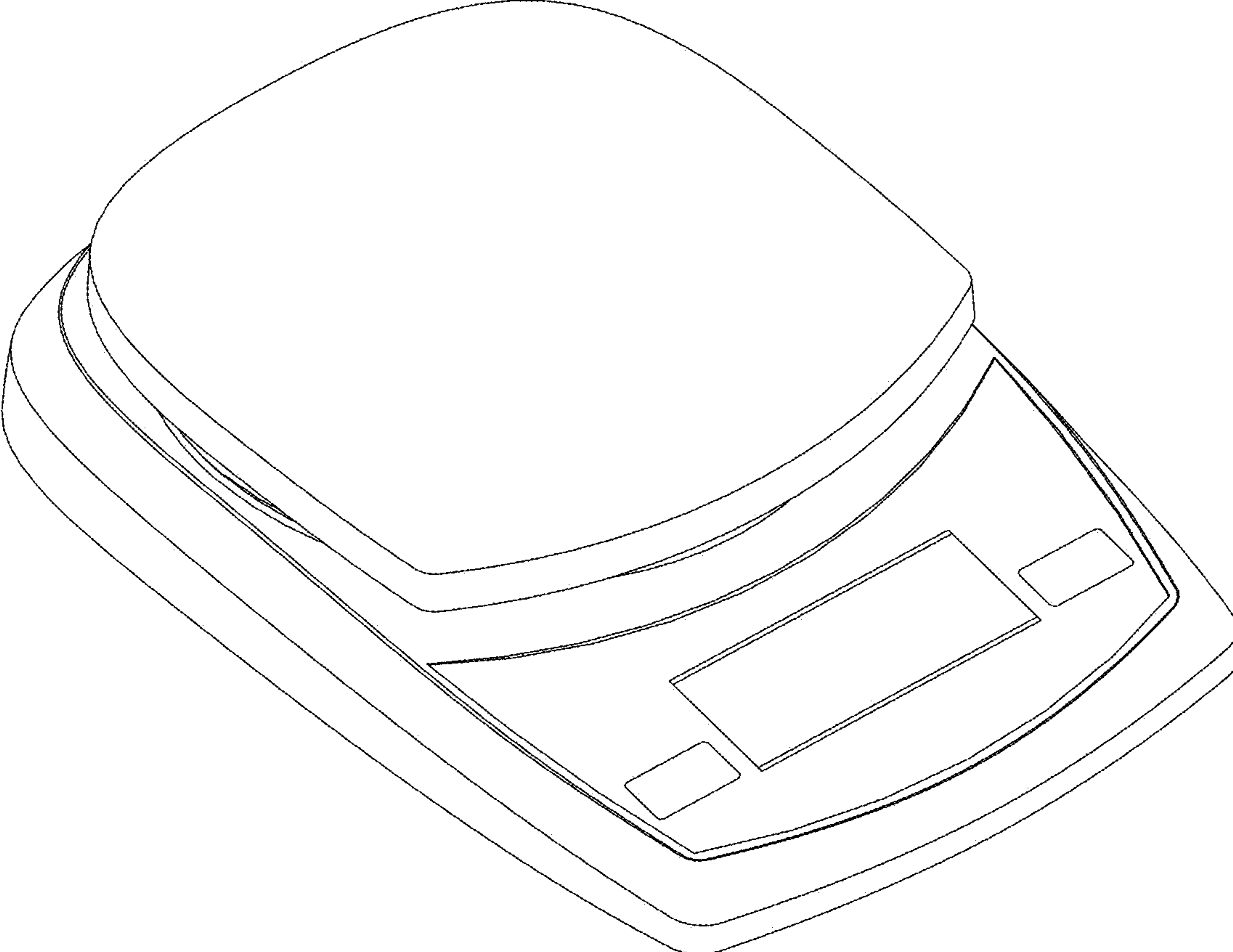


FIG. 1

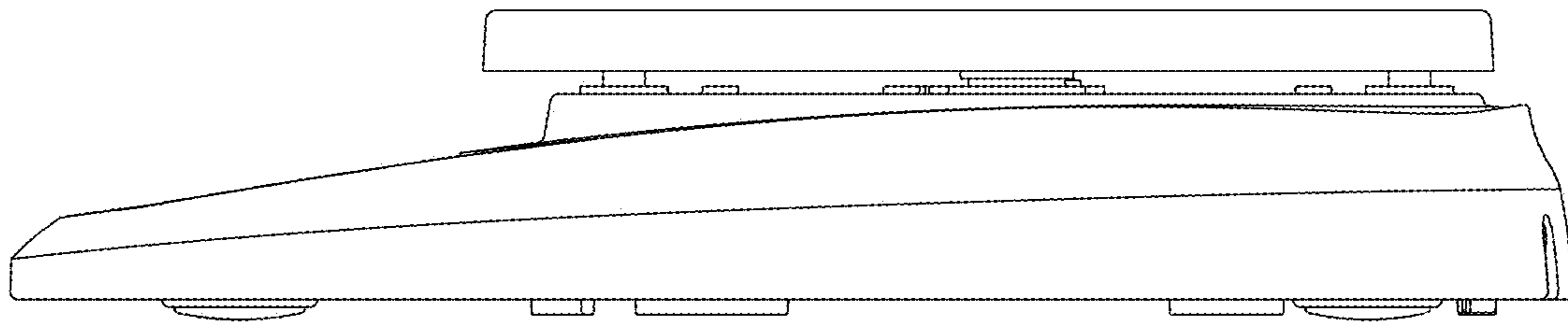


FIG. 2

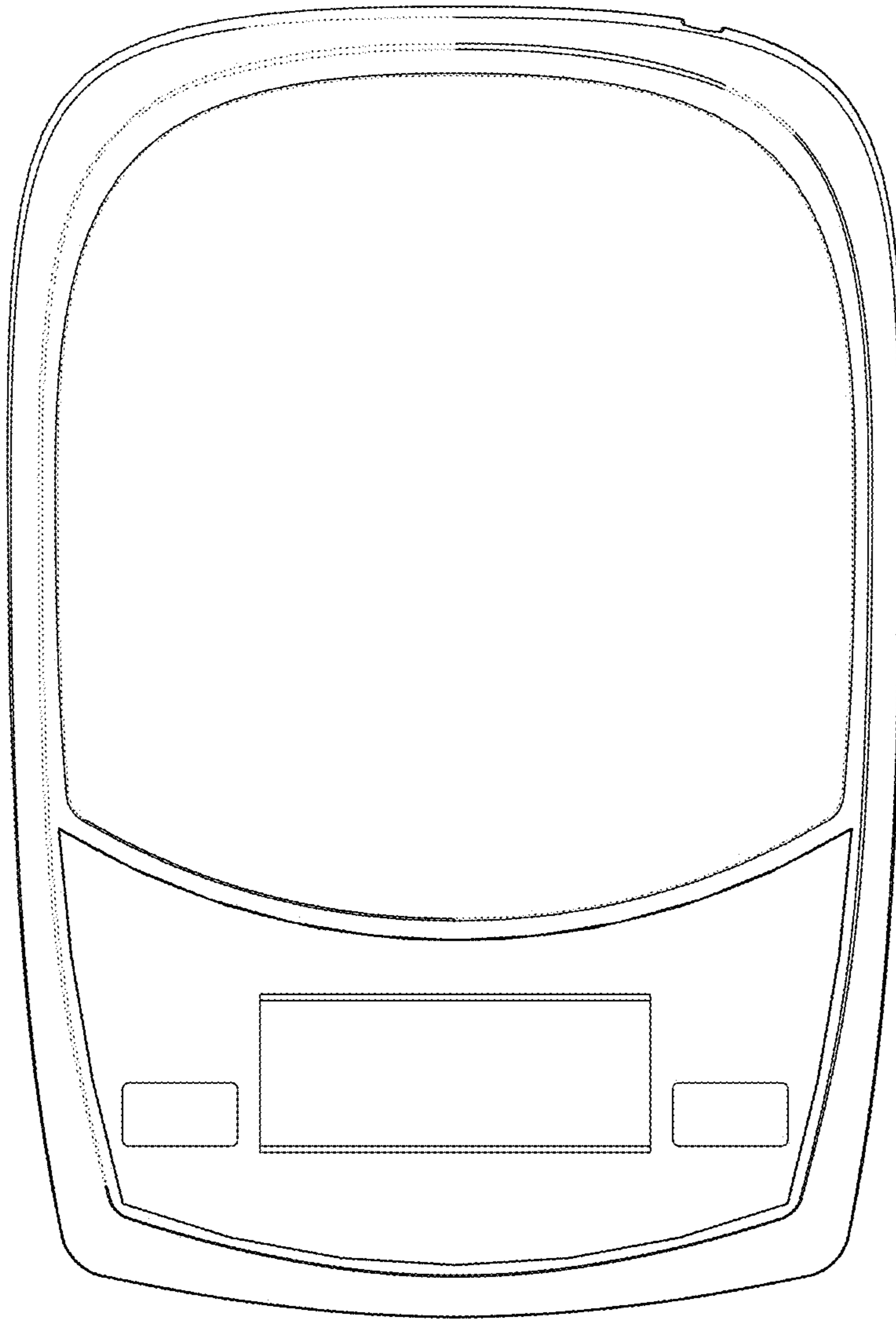


FIG. 3

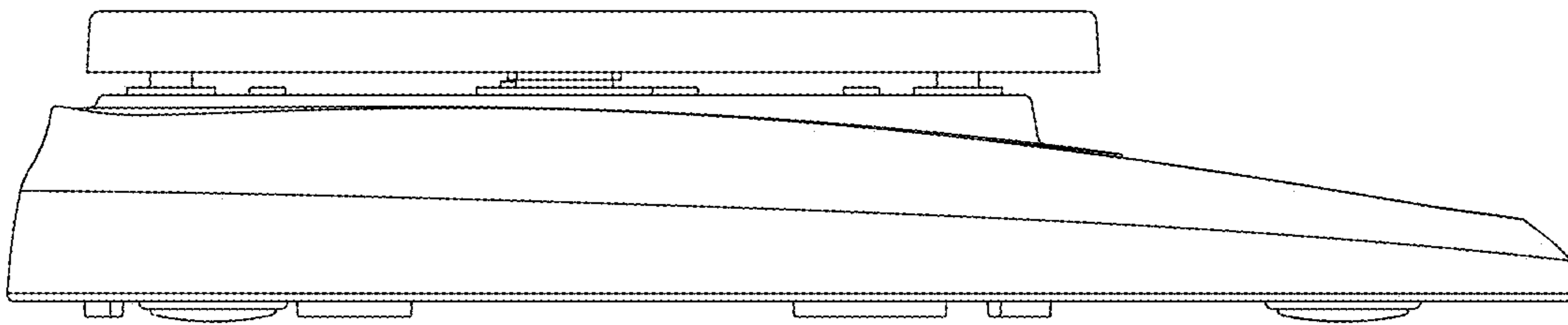


FIG. 4

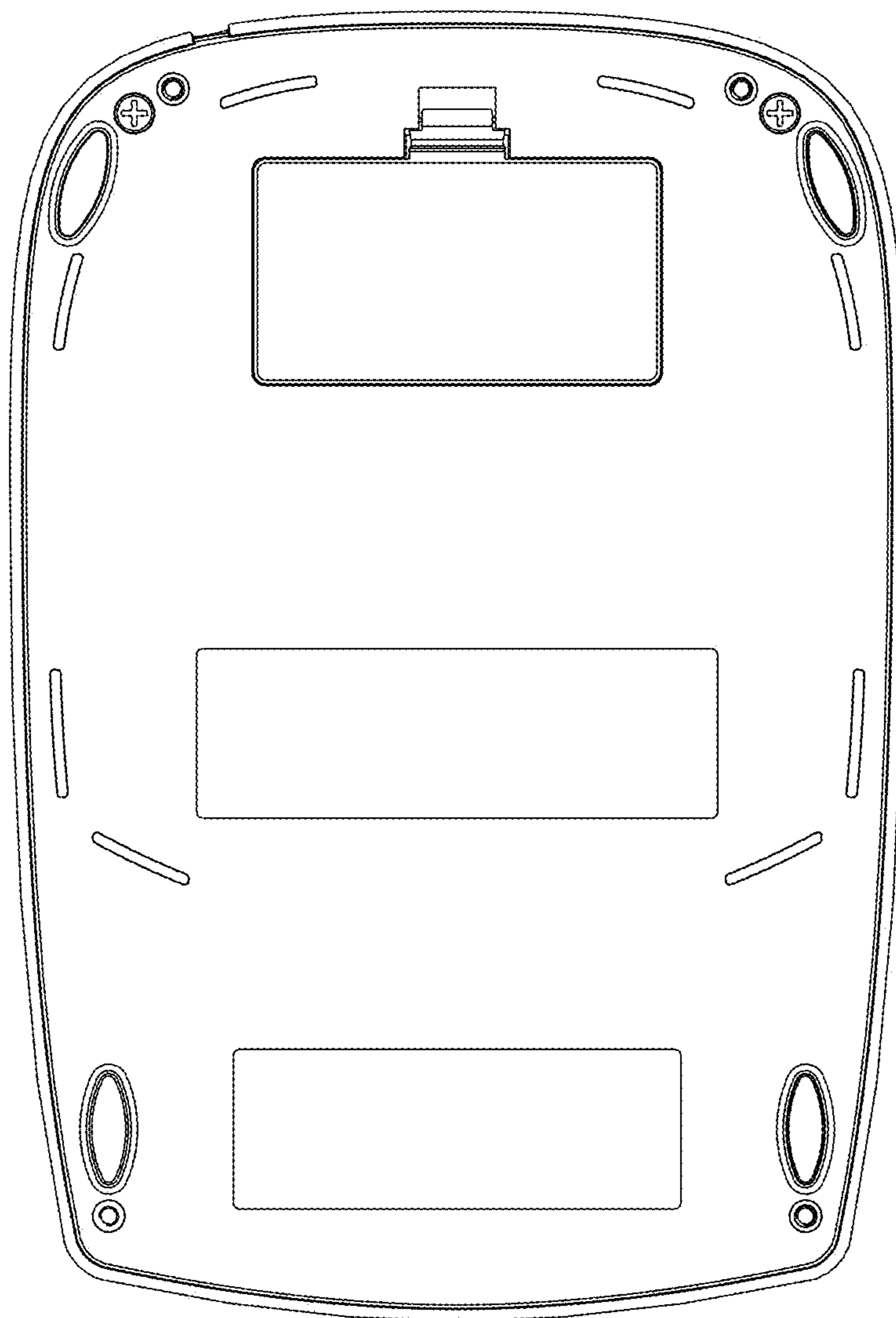


FIG. 5

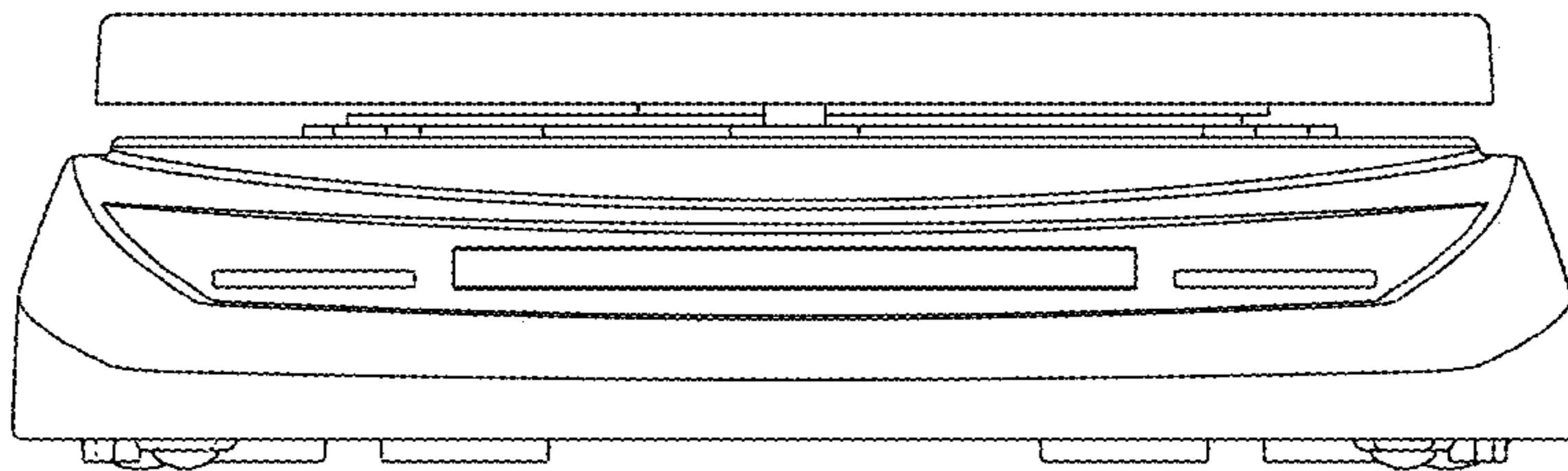


FIG. 6

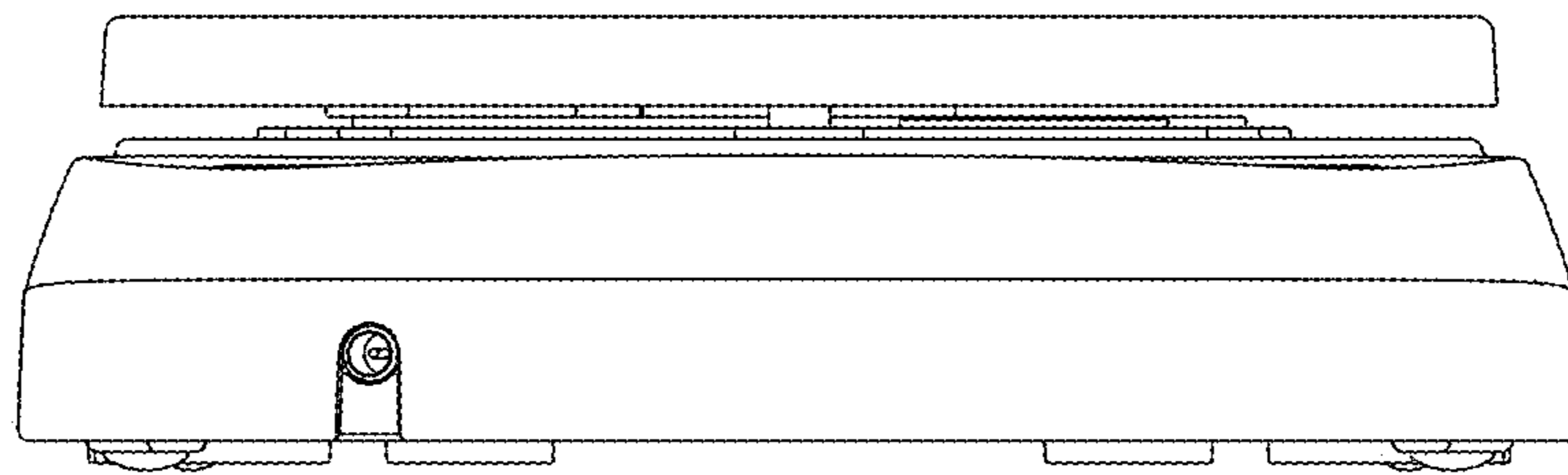


FIG. 7