



US00D869313S

(12) **United States Design Patent**
Zeng et al.

(10) **Patent No.:** **US D869,313 S**

(45) **Date of Patent:** **** Dec. 10, 2019**

(54) **MEASURING CAR**

G01B 11/046; G01B 11/06; G01B 11/08;
G01B 11/12; G01B 11/28; G01G 23/203;
G01G 23/32

(71) Applicants: **Beijing JingDong ShangKe Information Technology Co, Ltd,** Beijing (CN); **Beijing Jingdong Century Trading Co., Ltd.,** Beijing (CN)

See application file for complete search history.

(72) Inventors: **Ruinan Zeng,** Beijing (CN); **Baojie Li,** Beijing (CN)

(56) **References Cited**

U.S. PATENT DOCUMENTS

(73) Assignees: **Beijing JingDong ShangKe Information Technology Co, Ltd** (CN); **Beijing Jingdong Century Trading Co., Ltd.** (CN)

D250,098 S * 10/1978 Van Mastrigt D10/46
6,850,464 B2 * 2/2005 Carlsruh G01B 11/026
367/99
D599,237 S * 9/2009 Maeda D10/87
9,679,385 B2 * 6/2017 Suzuki G01B 11/002

* cited by examiner

(**) Term: **15 Years**

Primary Examiner — Antoine Duval Davis

(21) Appl. No.: **29/646,491**

(74) *Attorney, Agent, or Firm* — Saidman DesignLaw Group, LLC

(22) Filed: **May 4, 2018**

(57) **CLAIM**

The ornamental design for a measuring car, as shown and described.

(30) **Foreign Application Priority Data**

DESCRIPTION

Nov. 10, 2017 (CN) 2017 3 0552267

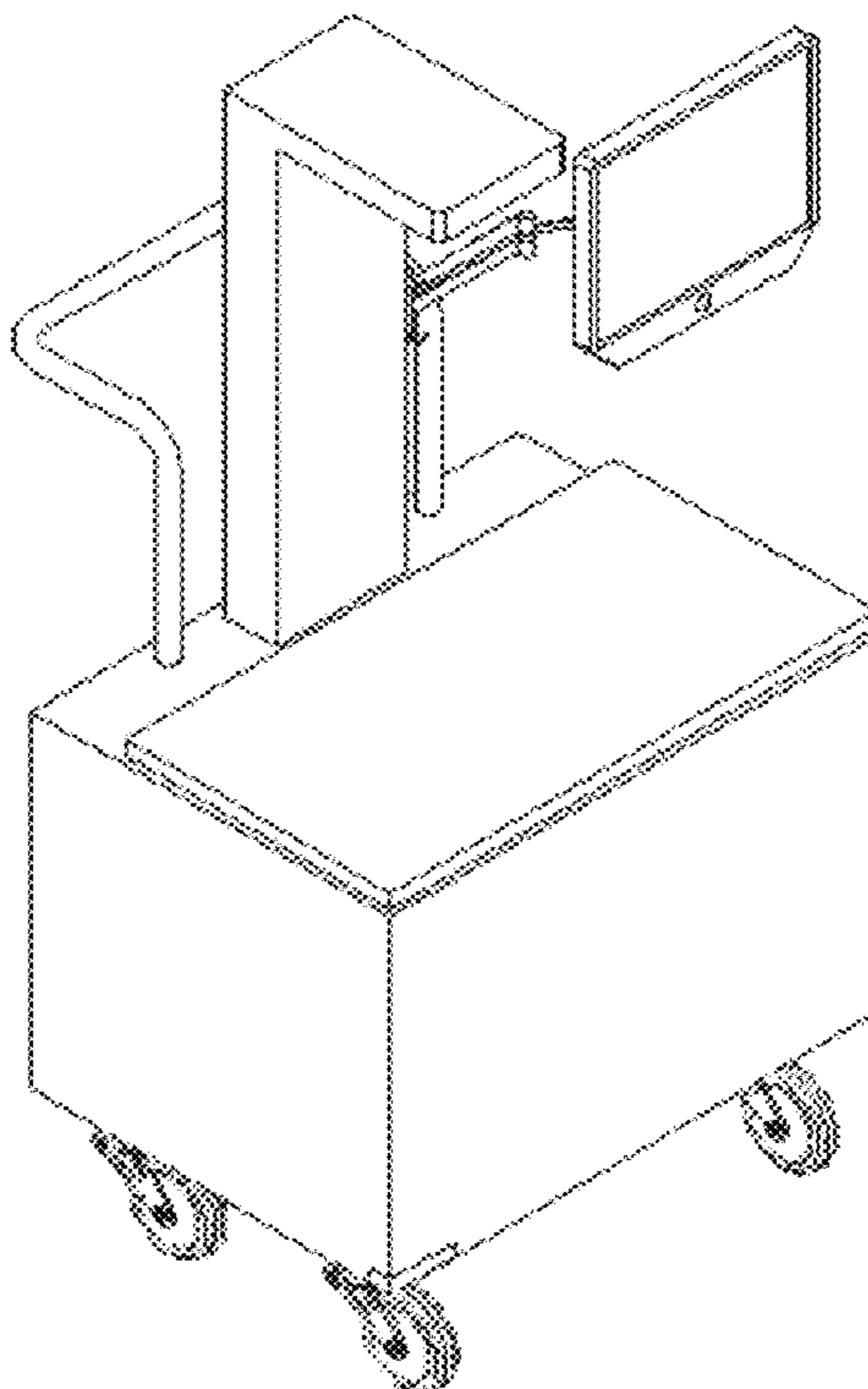
(51) **LOC (12) Cl.** **10-04**

(52) **U.S. Cl.**
USPC **D10/88**

(58) **Field of Classification Search**
USPC D10/87, 88, 91
CPC G01B 11/00; G01B 11/002; G01B 11/005;
G01B 11/02; G01B 11/022; G01B
11/024; G01B 11/026; G01B 11/028;
G01B 11/03; G01B 11/04; G01B 11/043;

FIG. 1 is a perspective view of a measuring car showing our new design;
FIG. 2 is a front view thereof;
FIG. 3 is a rear view thereof;
FIG. 4 is a left side view thereof;
FIG. 5 is a right side view thereof;
FIG. 6 is a top view thereof; and,
FIG. 7 is a bottom view thereof.

1 Claim, 7 Drawing Sheets



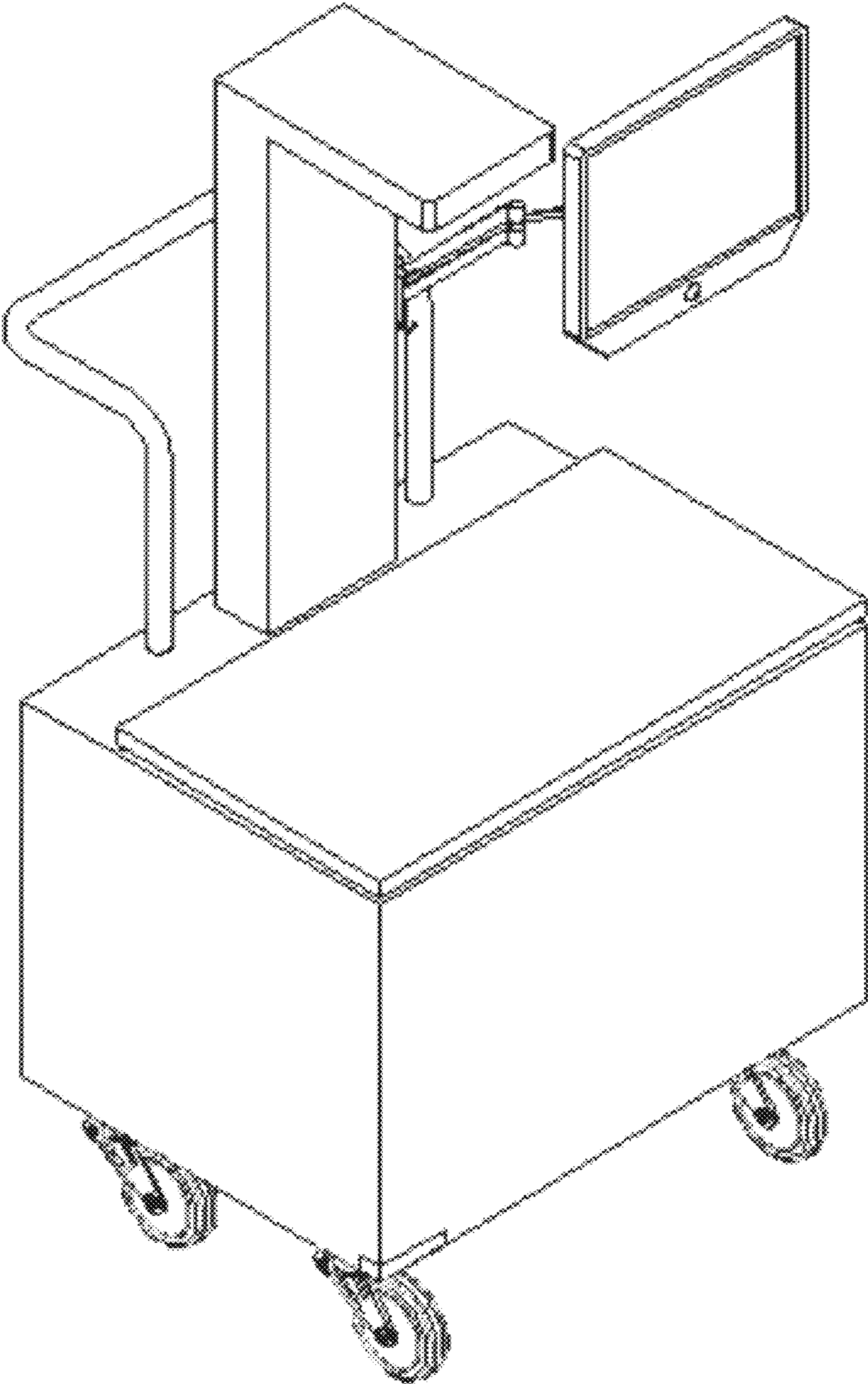


FIG. 1

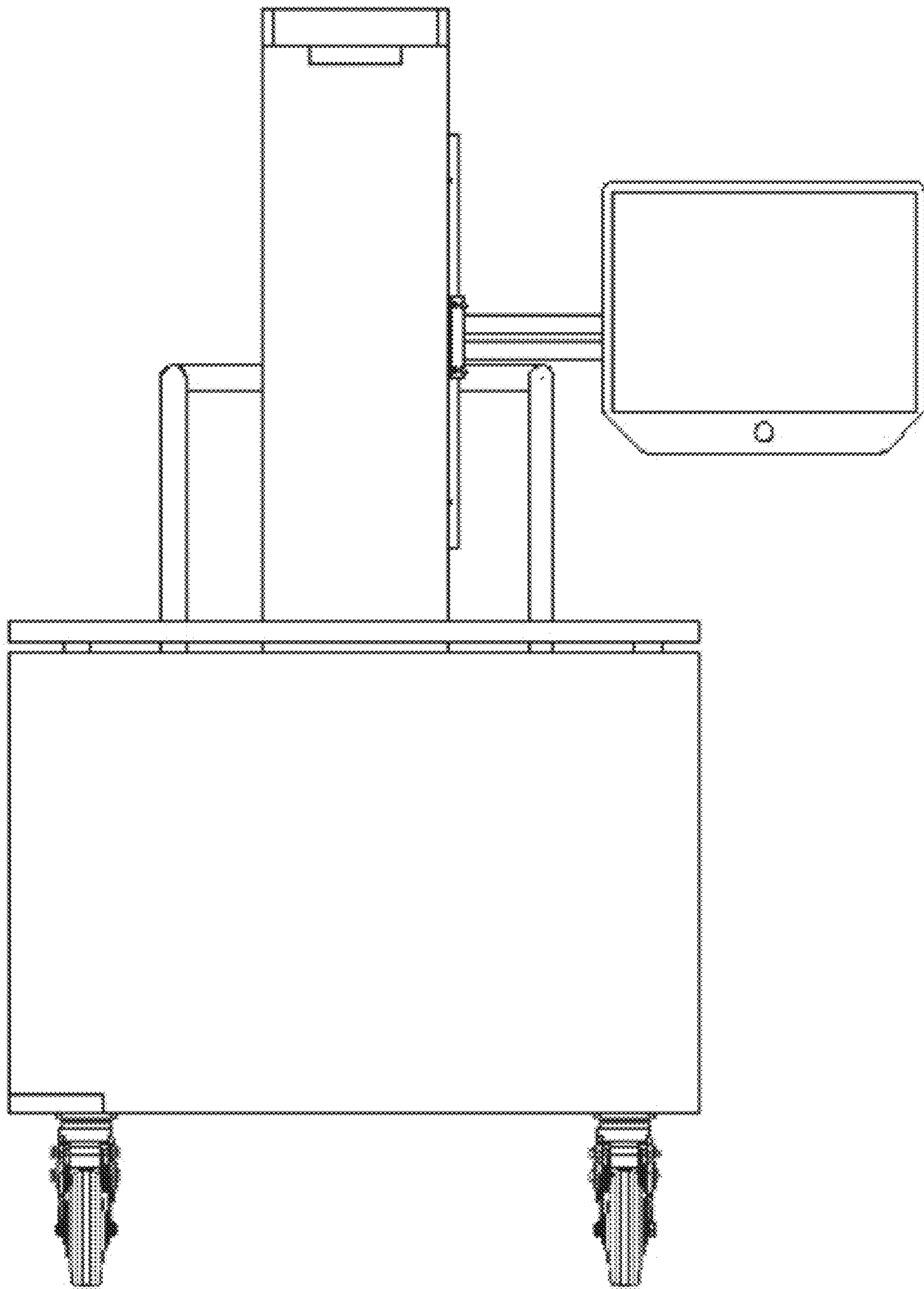


FIG. 2

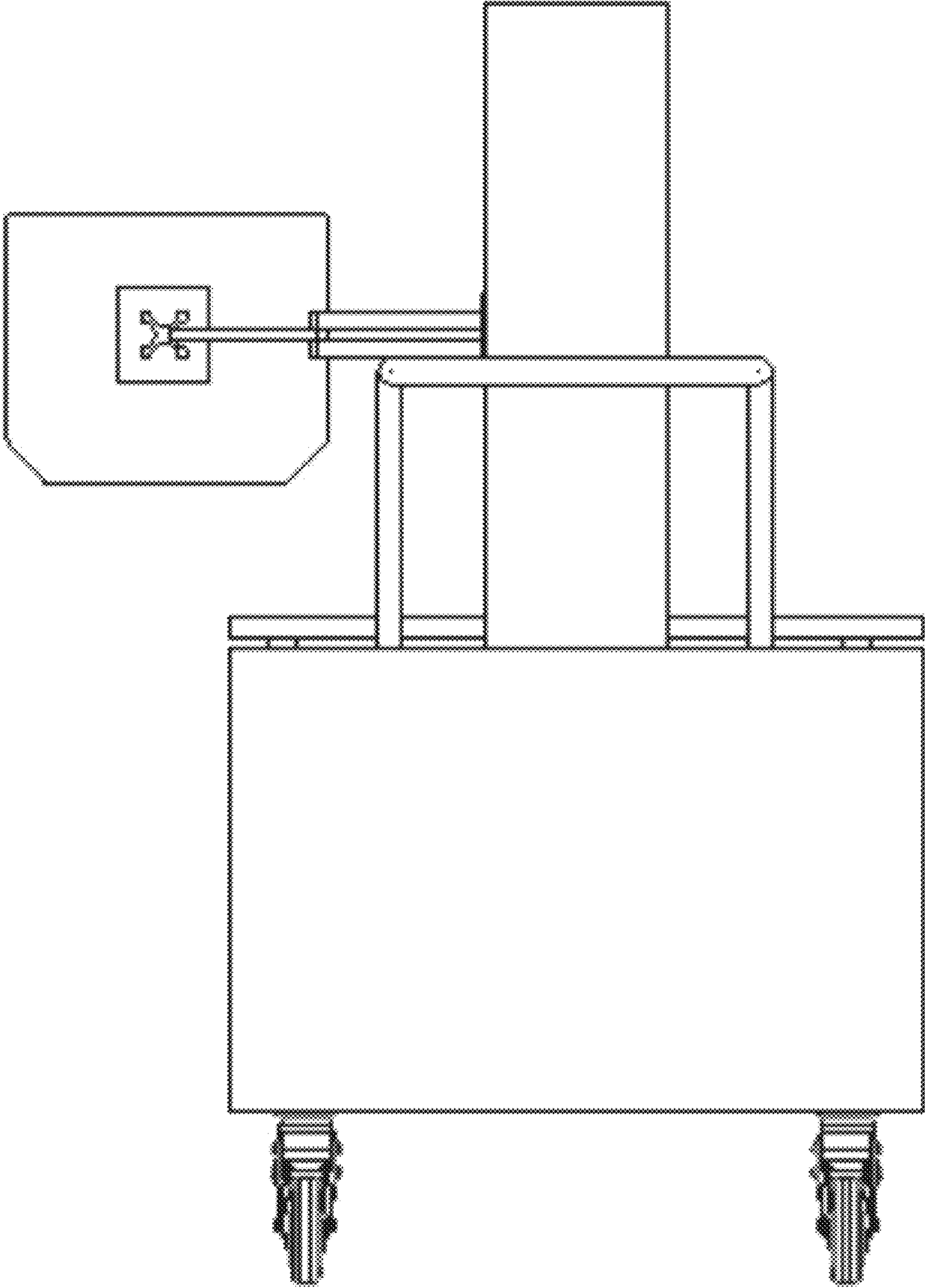


FIG. 3

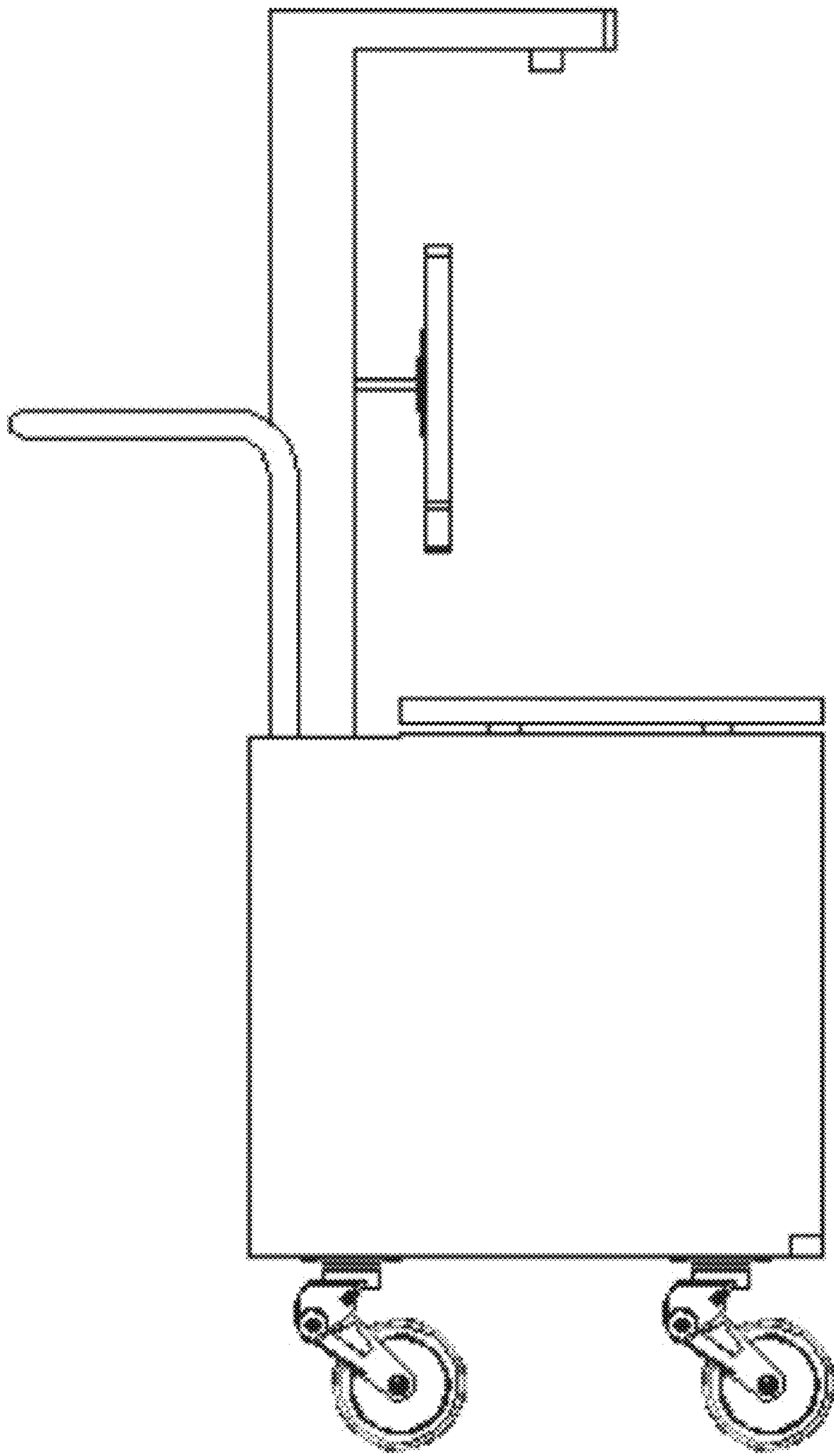


FIG. 4

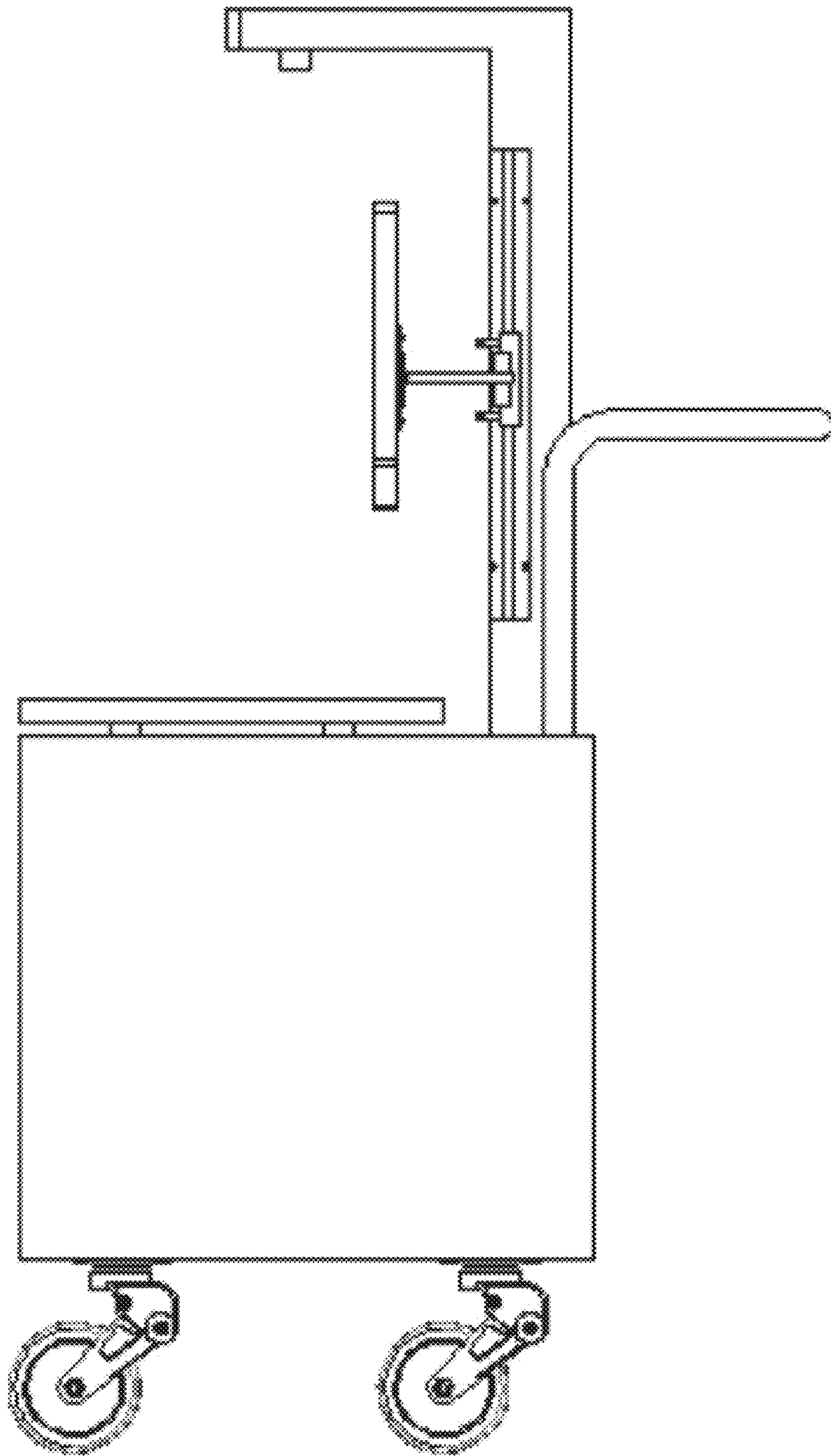


FIG. 5

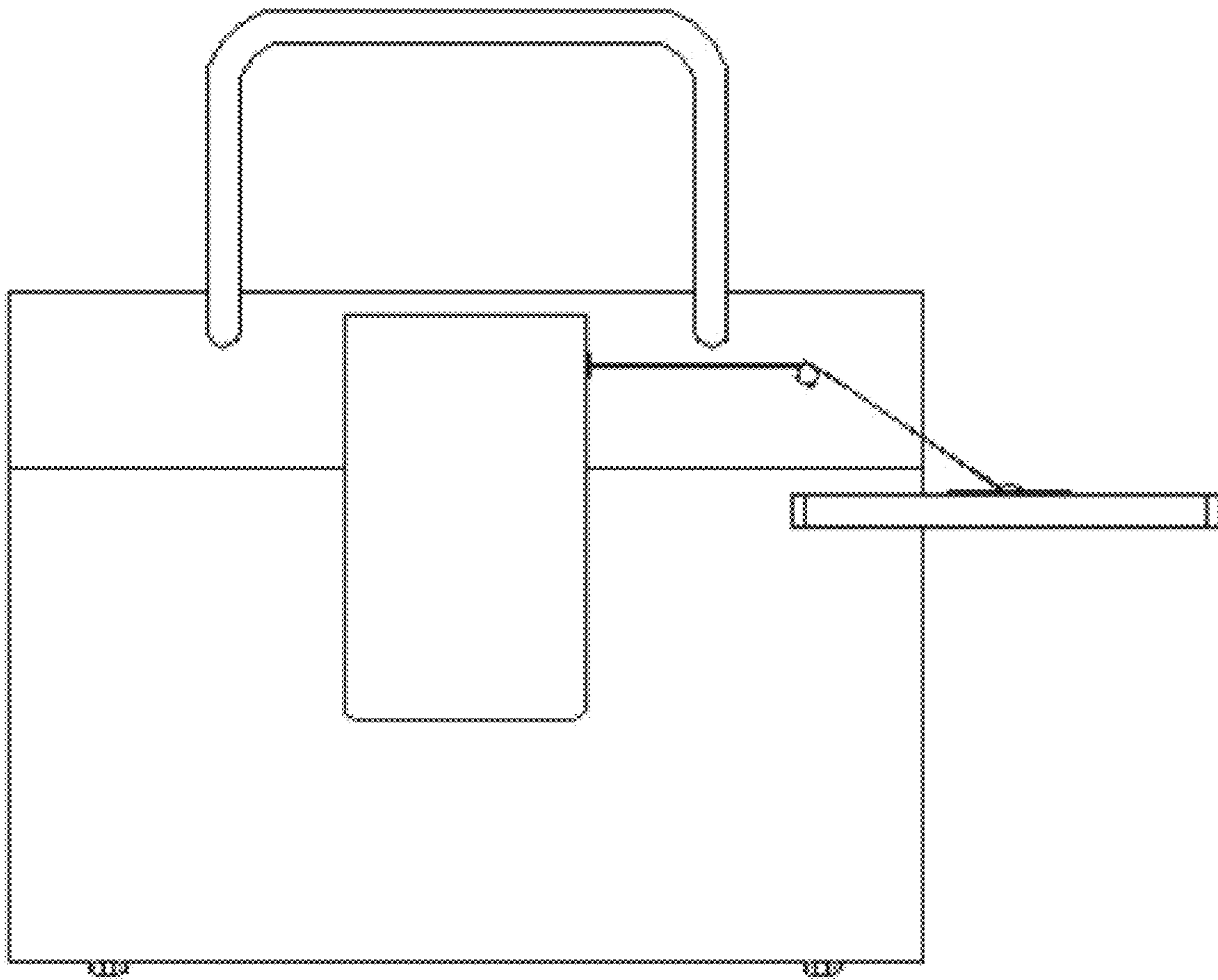


FIG. 6

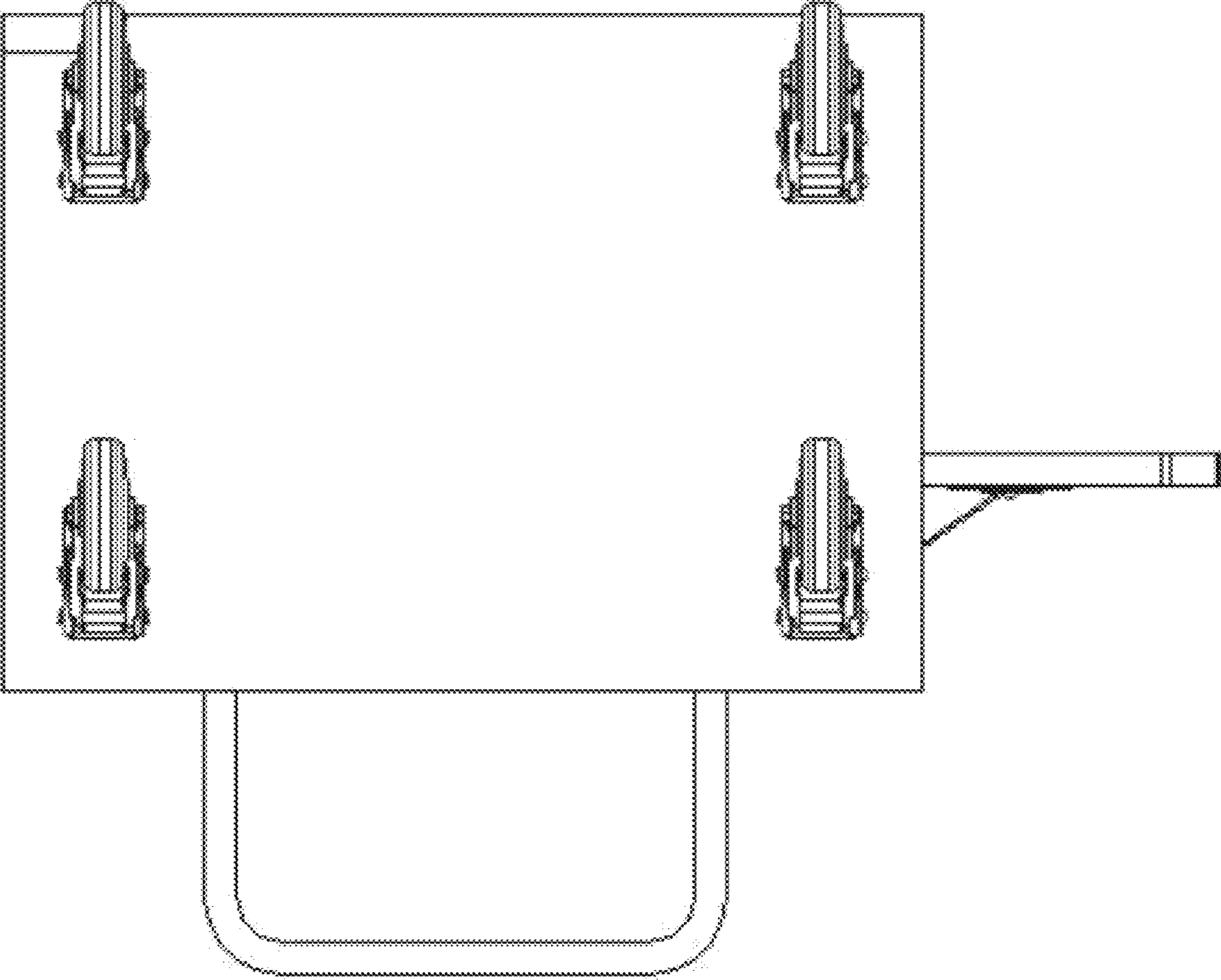


FIG. 7

UNITED STATES PATENT AND TRADEMARK OFFICE
CERTIFICATE OF CORRECTION

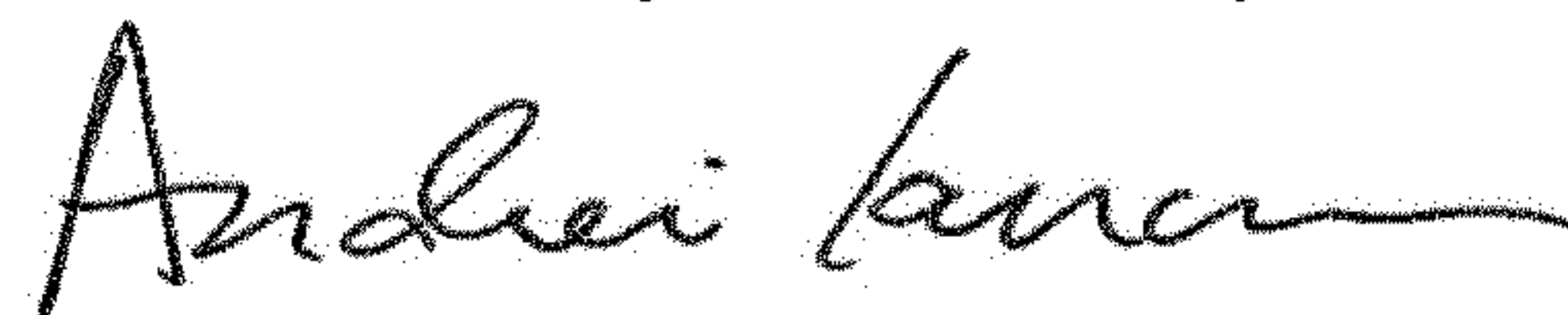
PATENT NO. : D869,313 S
APPLICATION NO. : 29/646491
DATED : December 10, 2019
INVENTOR(S) : Ruinan Zeng et al.

Page 1 of 1

It is certified that error appears in the above-identified patent and that said Letters Patent is hereby corrected as shown below:

(30) Foreign Application Priority Data should read:
Nov. 10, 2017 (CN)201730552267.6

Signed and Sealed this
Eleventh Day of February, 2020



Andrei Iancu
Director of the United States Patent and Trademark Office