

US00D869312S

(12) **United States Design Patent** (10) **Patent No.:** **US D869,312 S**  
**Jin** (45) **Date of Patent:** **\*\* Dec. 10, 2019**

(54) **AIR TIRE INFLATING GUN**

(56) **References Cited**

(71) Applicant: **Jue Jin**, Wenzhou (CN)

U.S. PATENT DOCUMENTS

(72) Inventor: **Jue Jin**, Wenzhou (CN)

D525,157	S	*	7/2006	Wrubel	.....	D10/86
D573,052	S	*	7/2008	Chen	.....	D10/86
D599,689	S	*	9/2009	Chen	.....	F16K 15/207
						D10/86
9,206,916	B1	*	12/2015	Wang	.....	F16K 15/207
D808,834	S	*	1/2018	Chen	.....	D10/86
D813,066	S	*	3/2018	Jin	.....	D10/86

(\*\*) Term: **15 Years**

(21) Appl. No.: **29/667,818**

\* cited by examiner

(22) Filed: **Oct. 25, 2018**

(51) **LOC (12) Cl.** ..... **10-04**

*Primary Examiner* — Antoine Duval Davis

(52) **U.S. Cl.**

(74) *Attorney, Agent, or Firm* — Wayne & Ken, LLC;  
Tony Hom

USPC ..... **D10/86**; D15/7

(58) **Field of Classification Search**

(57) **CLAIM**

USPC ..... D10/86; D15/7

The ornamental design for an air tire inflating gun, as shown and described.

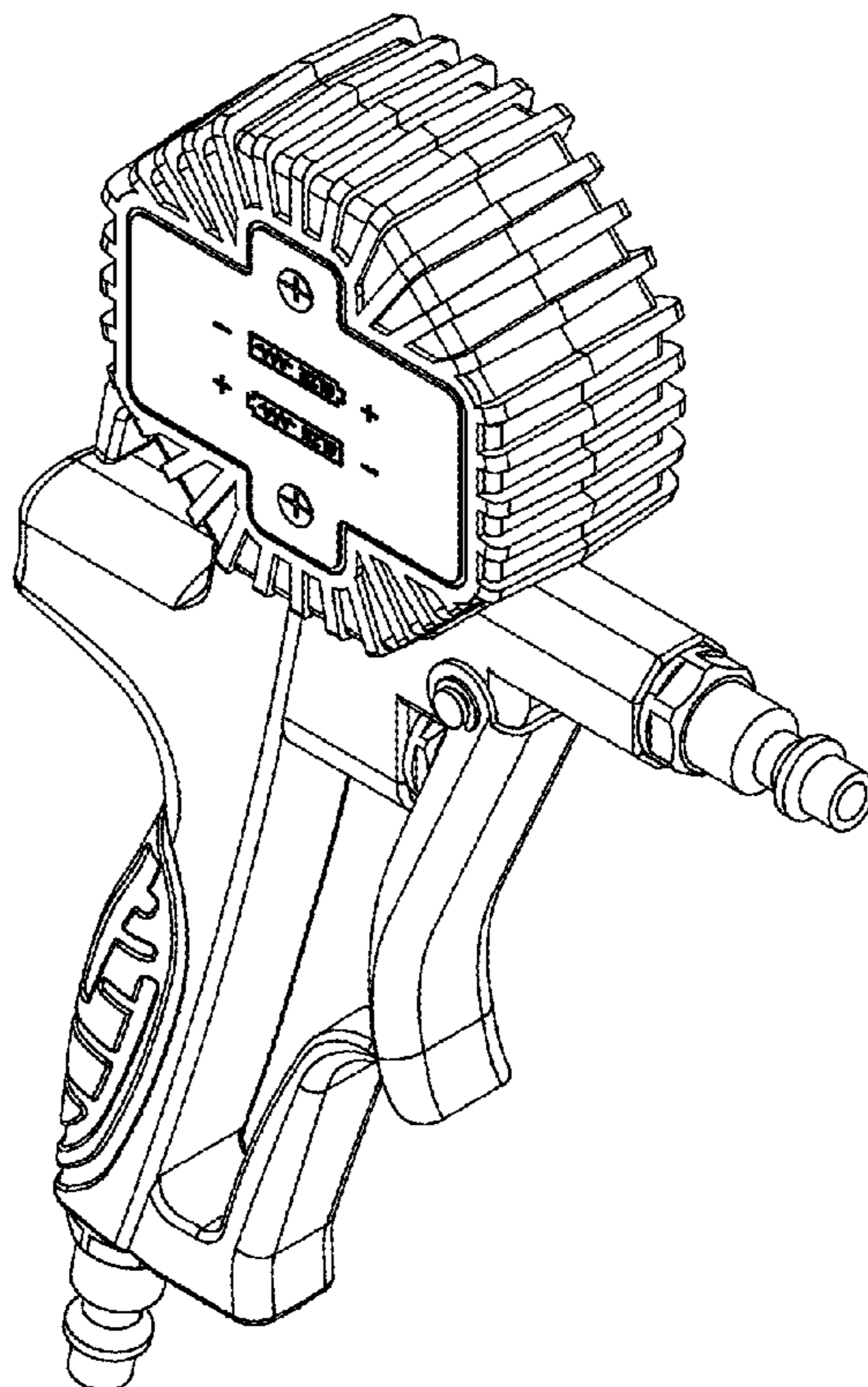
CPC .. B60C 29/062; B60S 5/02; B60S 5/04; B60S 5/043; B60S 5/046; Y10T 137/3584; Y10T 137/36; Y10T 137/3662; Y10T 137/3677; Y10T 137/3693; F04B 35/00; F04B 35/002; F04B 35/004; F04B 35/006; F04B 35/008; F04B 35/01; F04B 35/04; F04B 35/045; F04B 35/06; F04B 39/12; F04B 39/121; F04B 39/122; F04B 39/123; F04B 39/125; F04B 39/126; F04B 39/127; F04B 39/128; F04B 39/14; F04B 39/16; F04B 53/16; F04B 35/162; F04B 53/164; F04B 53/166

**DESCRIPTION**

FIG. 1 is a front elevation view of an air tire inflating gun showing my new design;  
 FIG. 2 is a rear elevation view thereof;  
 FIG. 3 is a left side elevation view thereof;  
 FIG. 4 is a right side elevation view thereof;  
 FIG. 5 is a top plan view thereof;  
 FIG. 6 is a bottom plan view thereof; and,  
 FIG. 7 is a perspective view thereof.

See application file for complete search history.

**1 Claim, 7 Drawing Sheets**



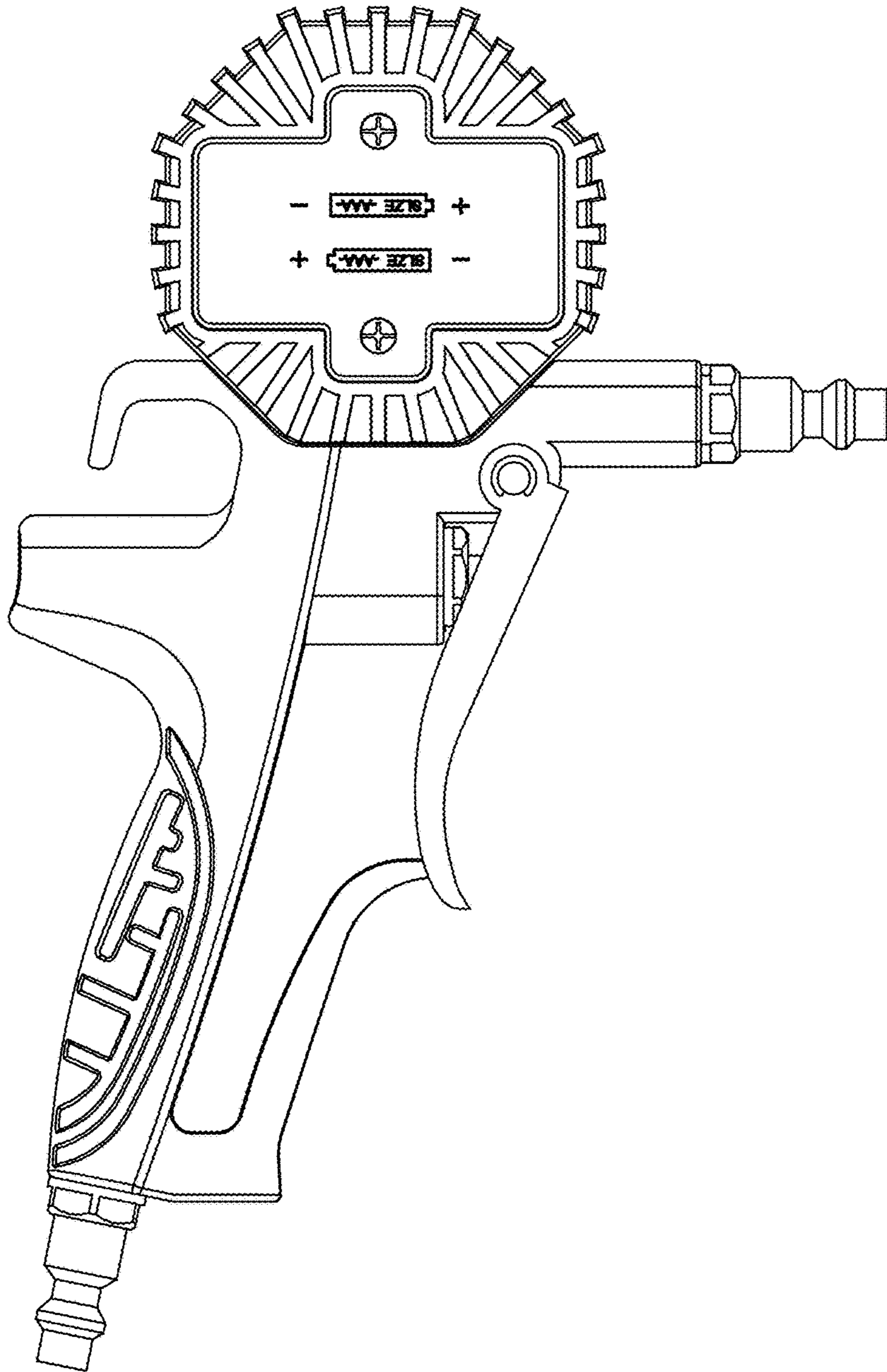


FIG.1

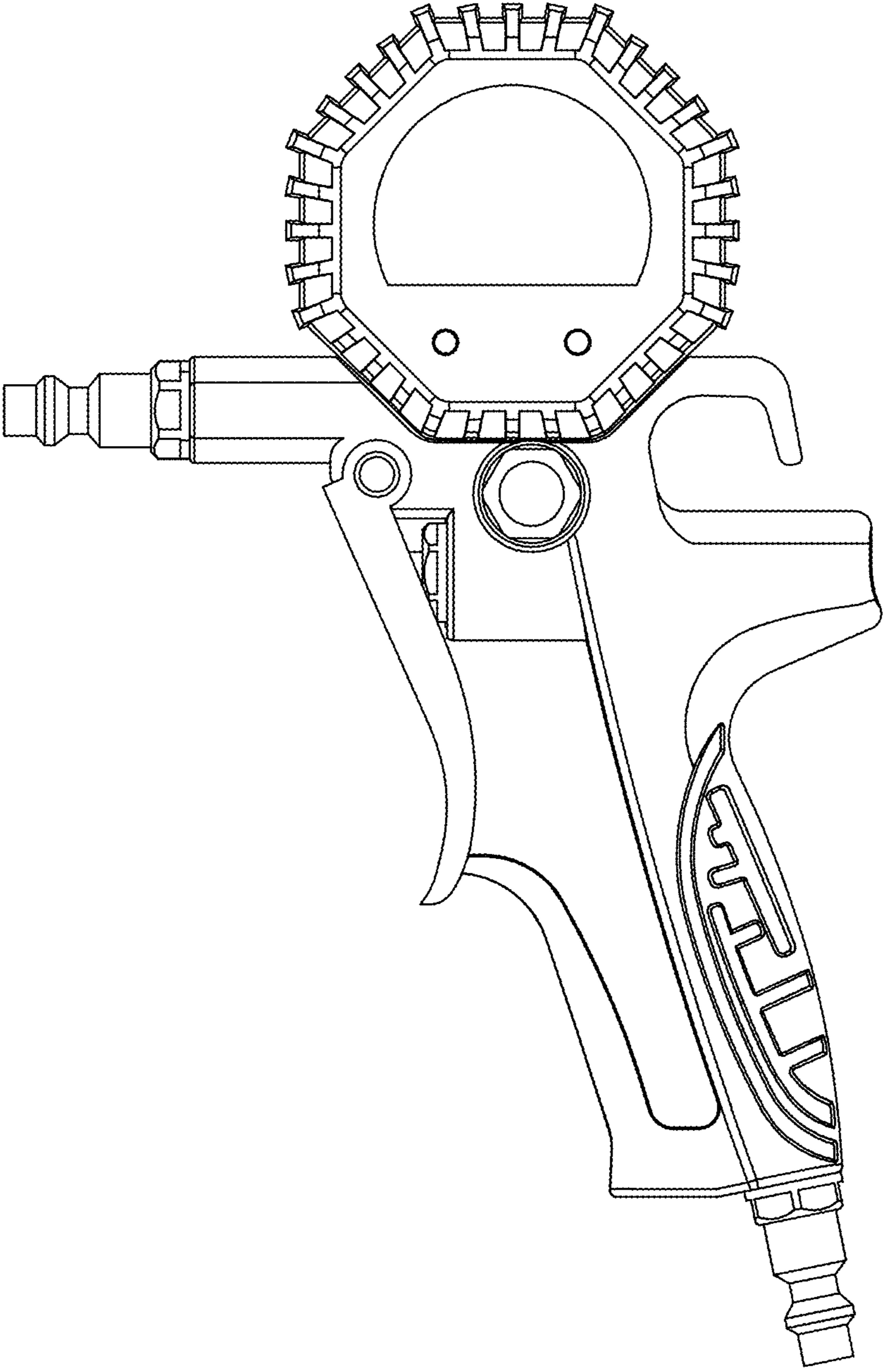


FIG.2

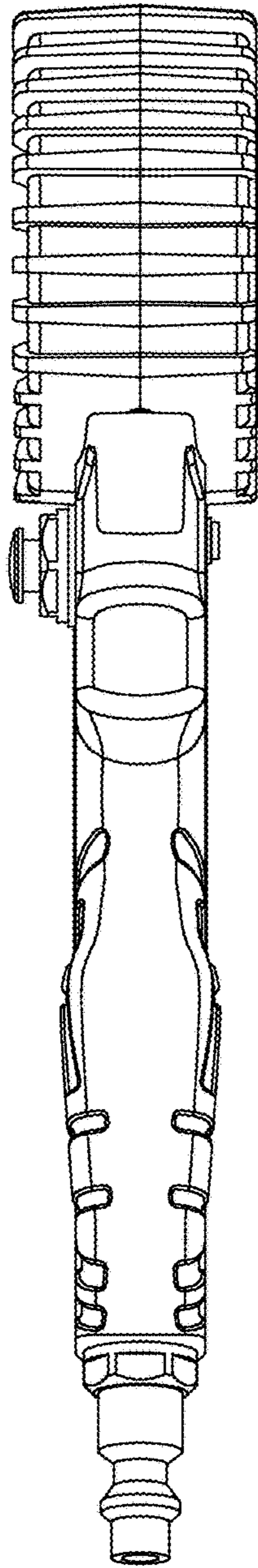


FIG.3

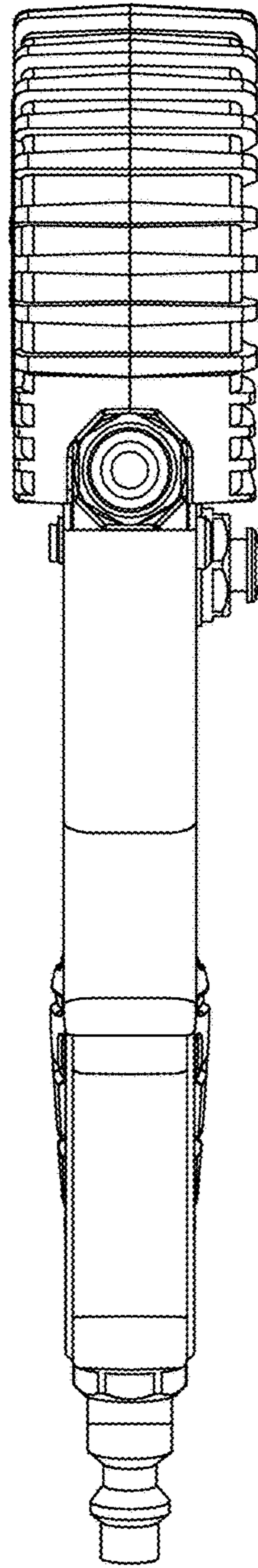


FIG.4



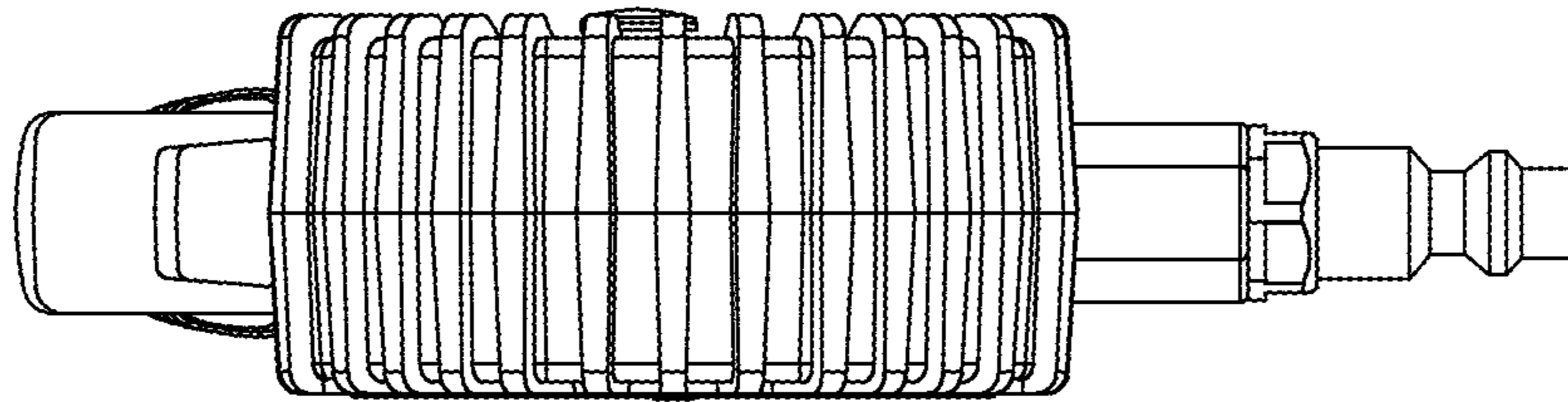


FIG.5

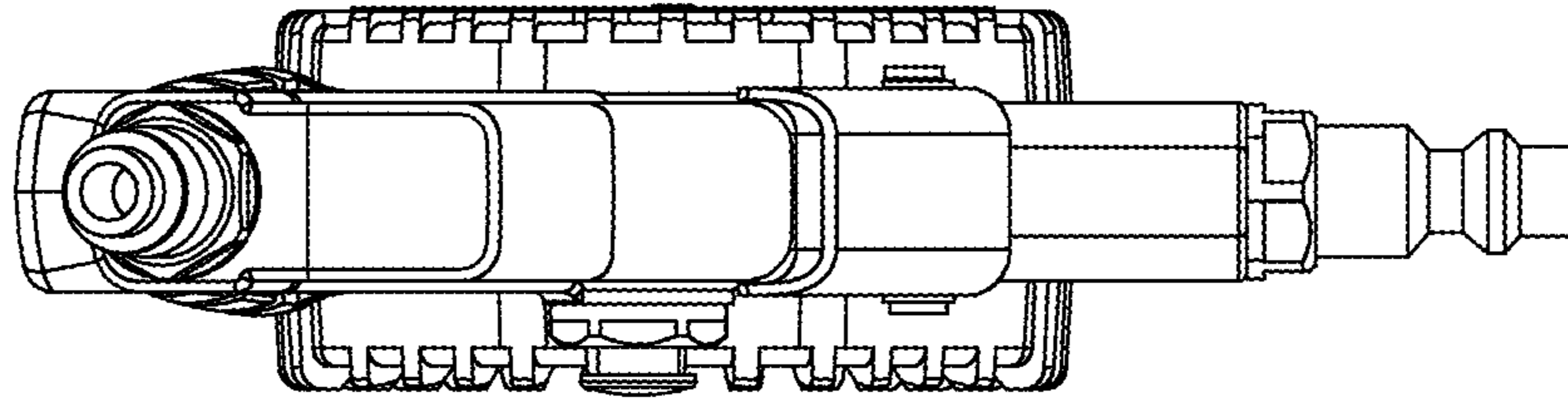


FIG.6

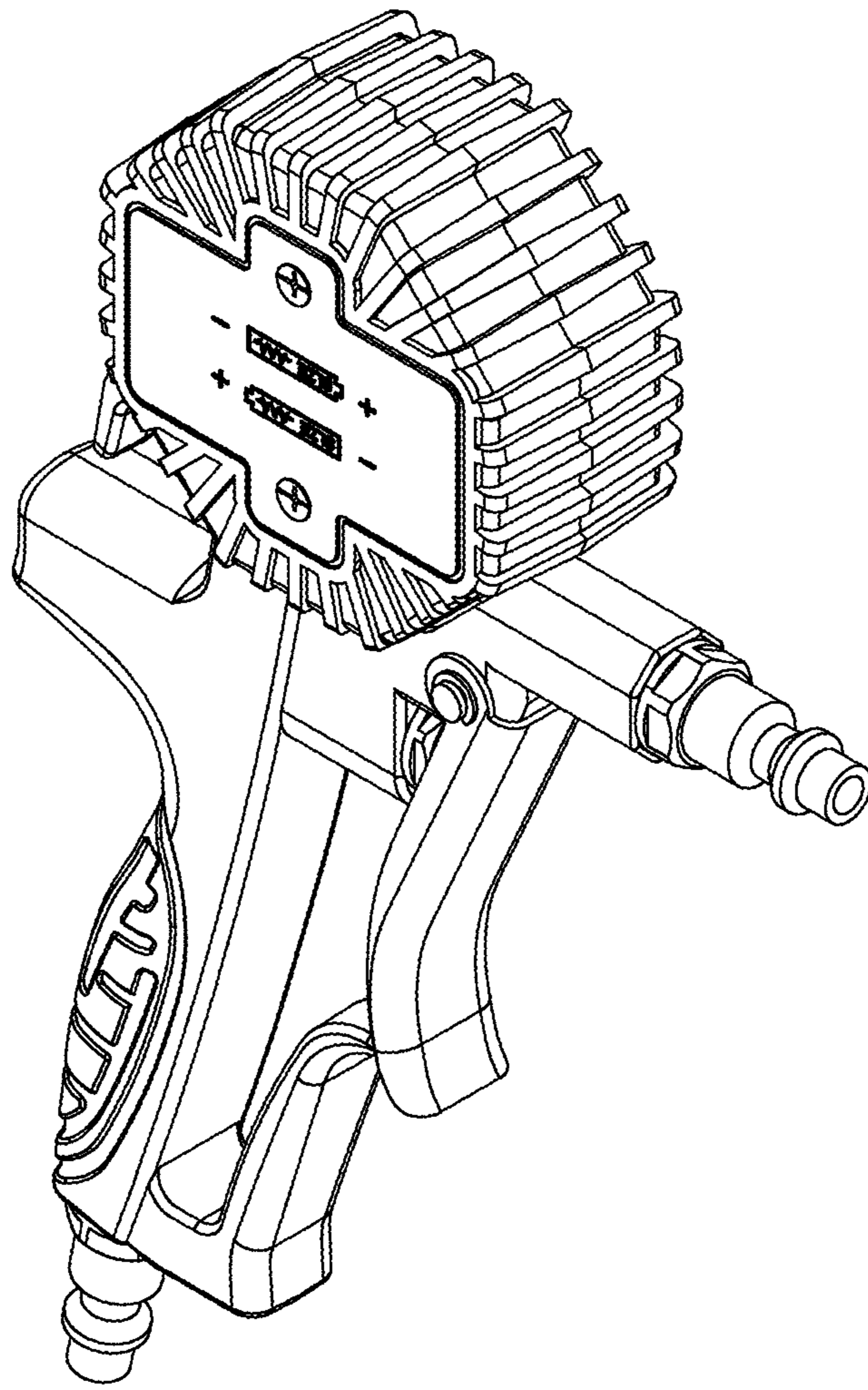


FIG.7