



US00D869310S

(12) **United States Design Patent** (10) **Patent No.:** **US D869,310 S**
Nagasawa et al. (45) **Date of Patent:** **** Dec. 10, 2019**

(54) **SAMPLE ANALYZER**

(71) Applicant: **Otsuka Electronics Co., Ltd.**, Osaka (JP)

(72) Inventors: **Hiroya Nagasawa**, Kyoto (JP); **Ikuo Wakayama**, Osaka (JP); **Kazuyoshi Kamekawa**, Kyoto (JP)

(73) Assignee: **Otsuka Electronics Co., Ltd.**, Osaka (JP)

(**) Term: **15 Years**

(21) Appl. No.: **29/641,363**

(22) Filed: **Mar. 21, 2018**

(30) **Foreign Application Priority Data**

Sep. 29, 2017 (JP) 2017-021531

(51) **LOC (12) Cl.** **10-04**

(52) **U.S. Cl.**
USPC **D10/81; D24/216**

(58) **Field of Classification Search**
USPC D10/81; D24/232, 233, 234, 216–230
CPC .. G01N 21/00; G01N 21/01; G01N 2201/022;
G01N 2201/0221; G01N 2201/0222;
G01N 2201/0224; G01N 2201/0225;
G01N 2201/0227; G01N 2201/0228;
G01N 2201/024; G01N 2201/0245; G01N
2021/0112–21/958; G01N
2021/0106–2021/9586; G01N
35/00–35/1097; G01N
2035/00019–2035/1093; G01N
2204/022–2204/0228

See application file for complete search history.

(56) **References Cited**

U.S. PATENT DOCUMENTS

D261,033	S	*	9/1981	Armbruster	D10/81
D261,034	S	*	9/1981	Armbruster	D10/81
D285,113	S	*	8/1986	Williams	D24/216
D285,114	S	*	8/1986	Collister	D10/81
D303,569	S	*	9/1989	Eberle	D24/219
D383,548	S	*	9/1997	Hoelbl	D24/216
D848,880	S	*	5/2019	Smith	D10/81
D853,873	S	*	7/2019	Schueren	D10/81

* cited by examiner

Primary Examiner — Antoine Duval Davis

(74) *Attorney, Agent, or Firm* — Fitch, Even, Tabin & Flannery LLP

(57) **CLAIM**

We claim the ornamental design for a sample analyzer, as shown and described.

DESCRIPTION

FIG. 1 is a front, top, and left side perspective view of a sample analyzer showing our new design; FIG. 2 is a front elevational view thereof; FIG. 3 is a top plan view thereof; FIG. 4 is a left side elevational view thereof; FIG. 5 is a right side elevational view thereof; FIG. 6 a rear elevational view thereof; and, FIG. 7 is a bottom plan view thereof. The broken lines illustrate portions of the sample analyzer and form no part of the claimed design.

1 Claim, 7 Drawing Sheets

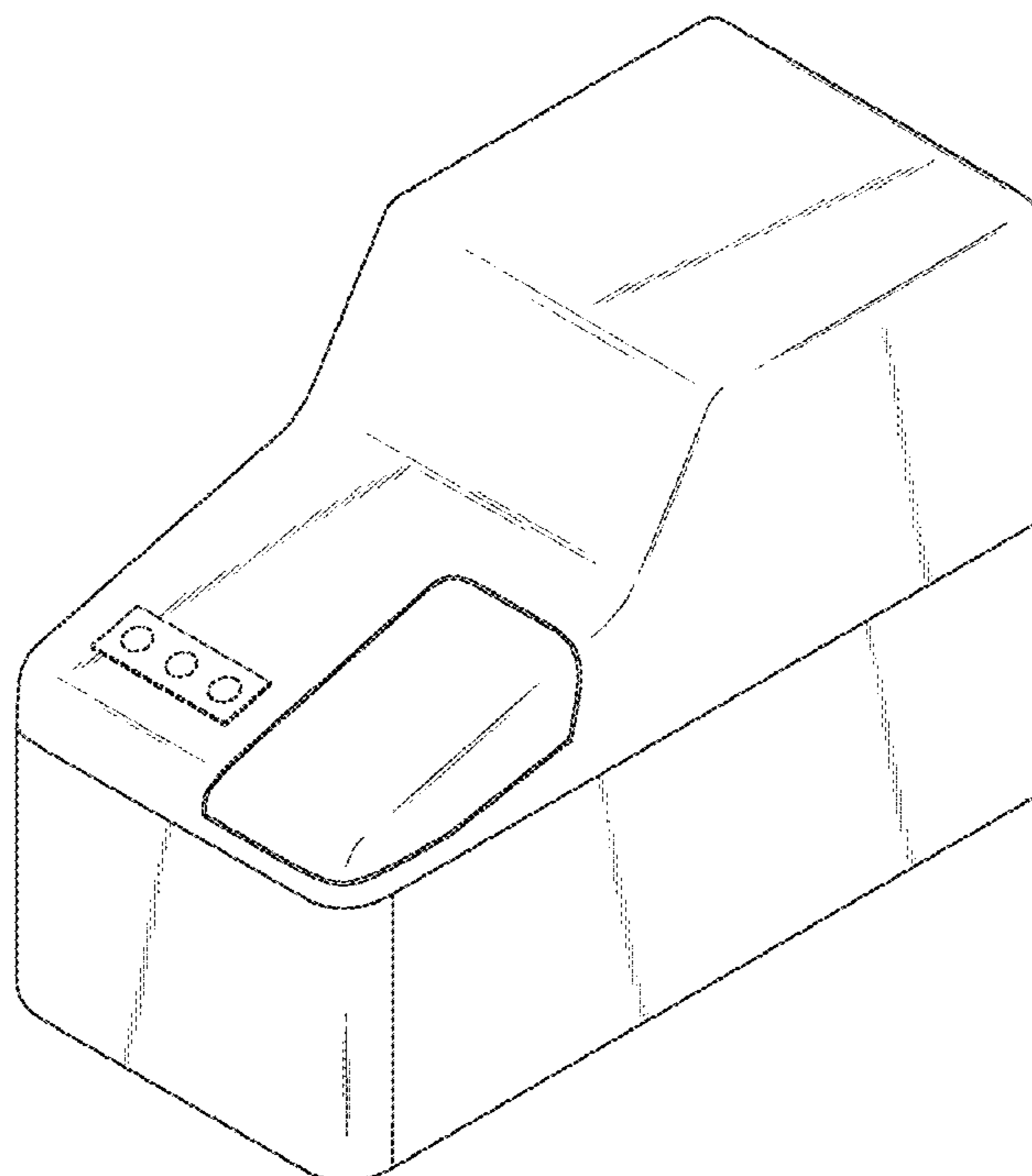


FIG. 1

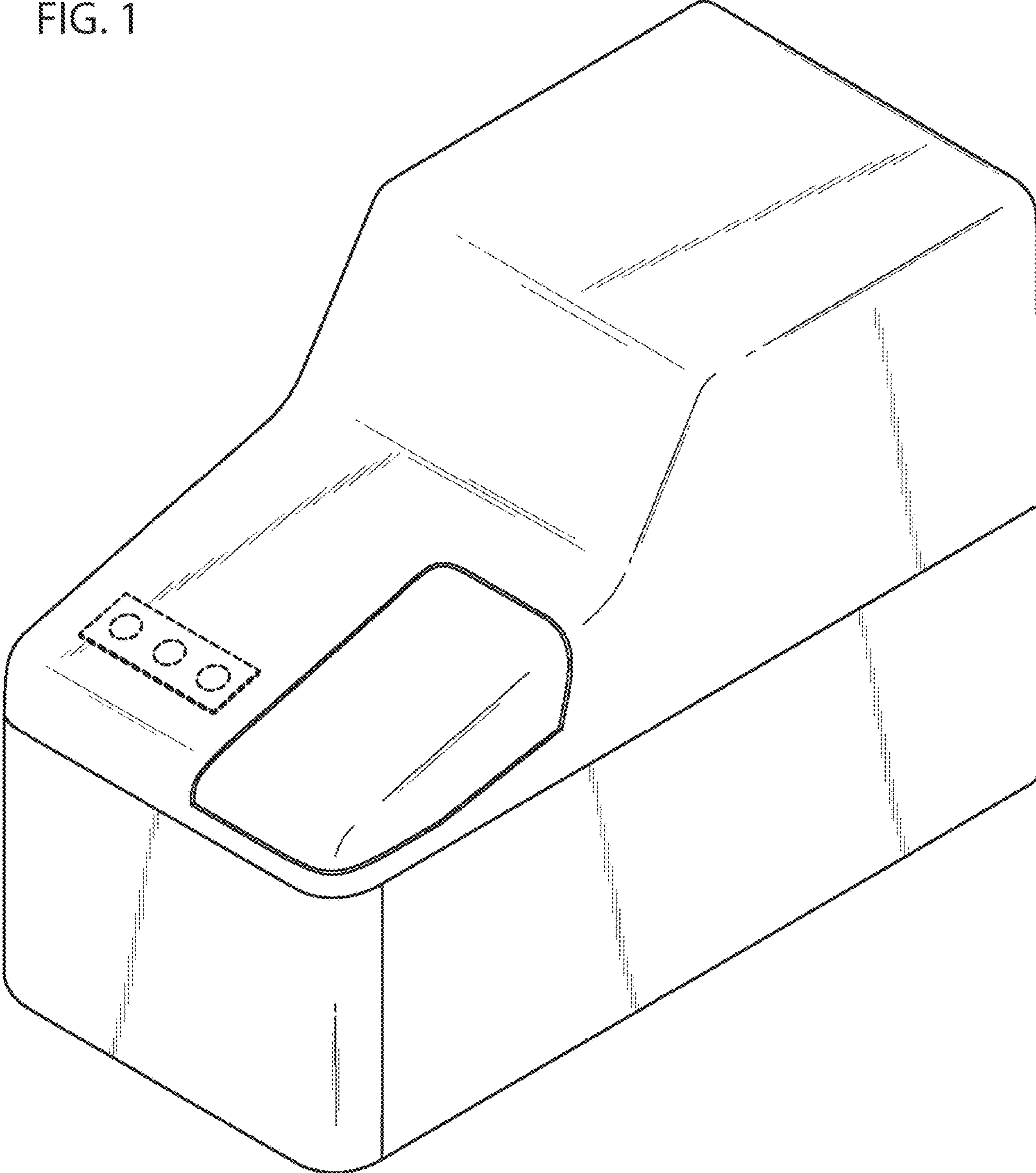


Fig. 2

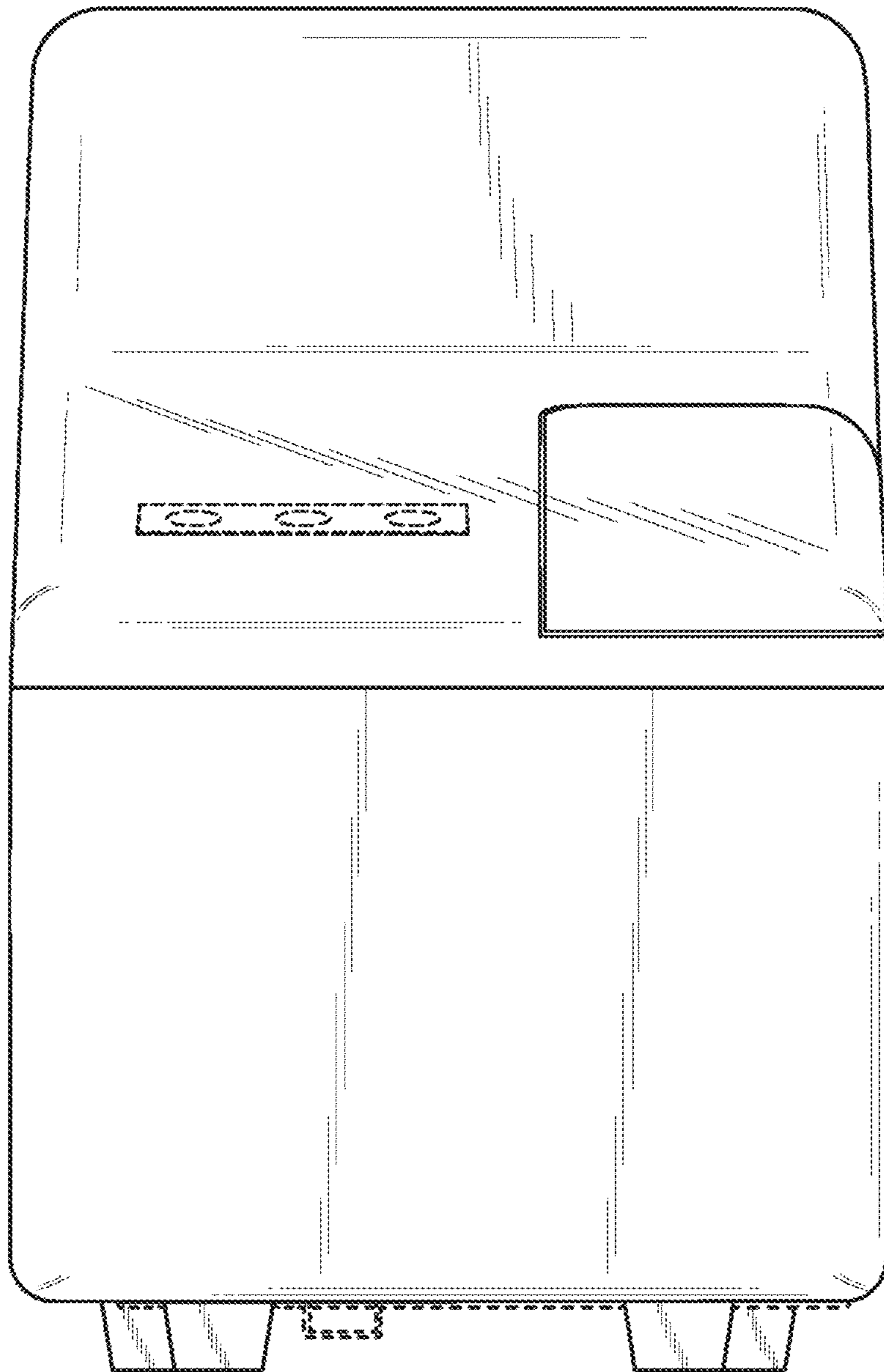
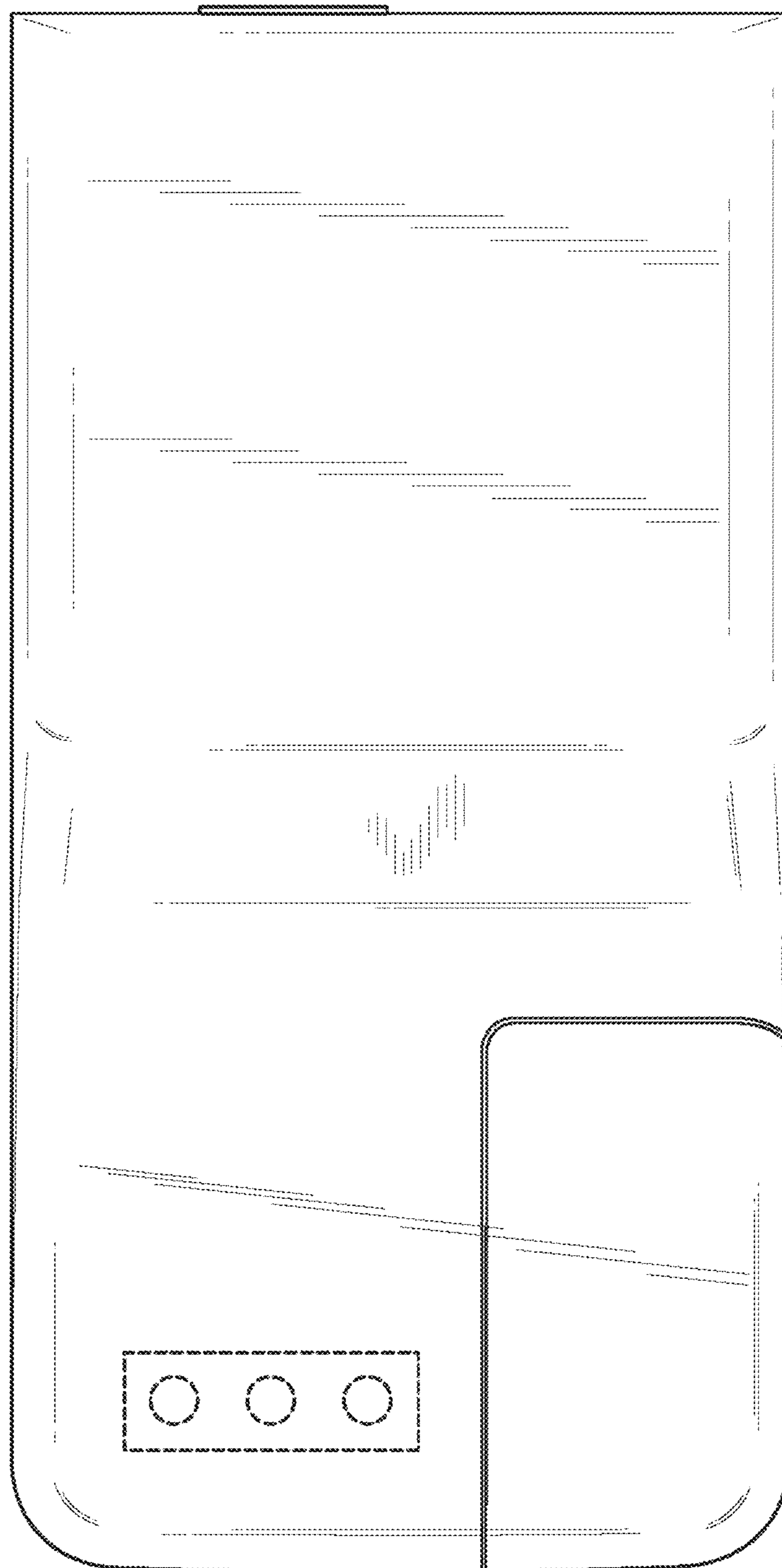


FIG. 3



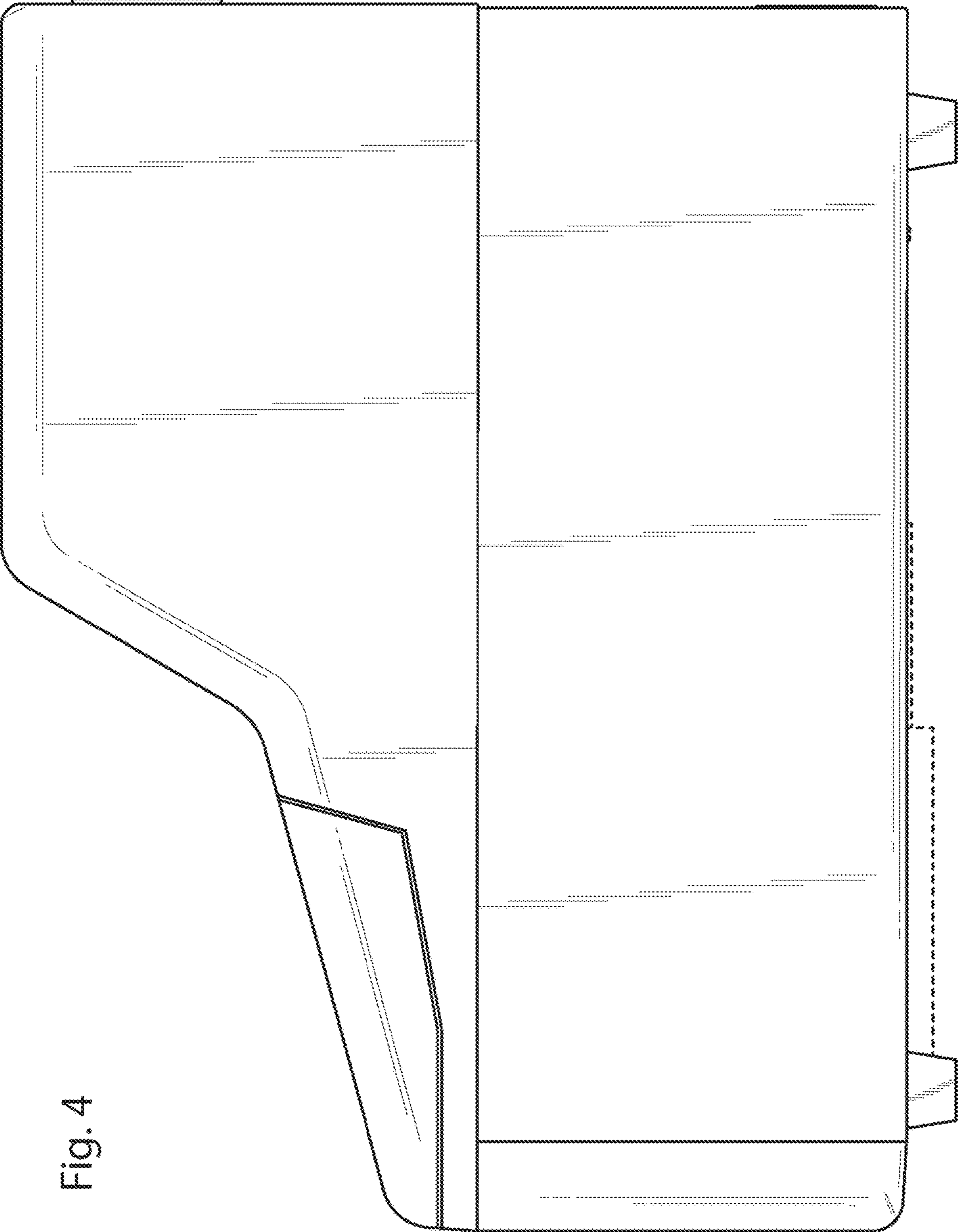


Fig. 4

Fig. 5

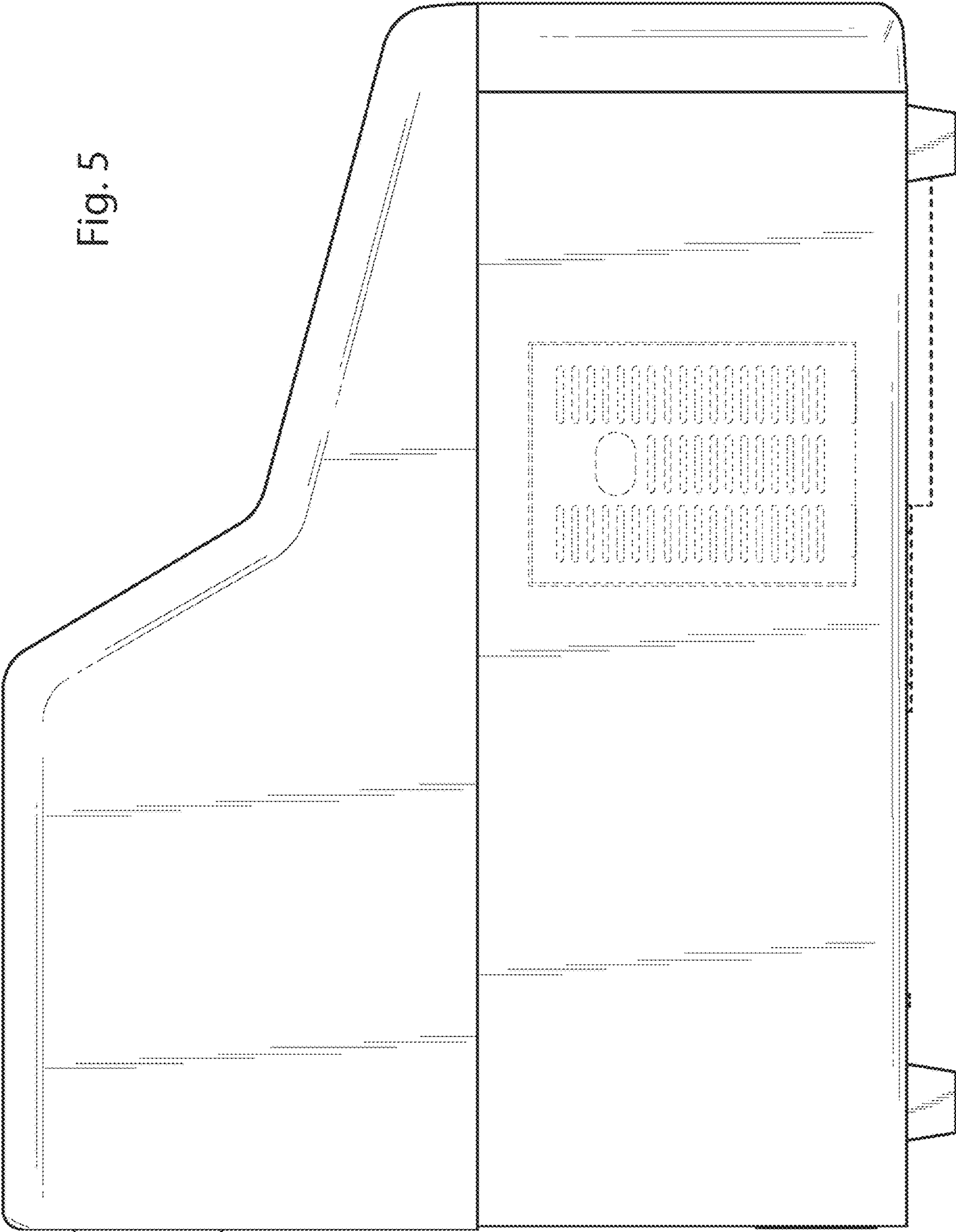


Fig. 6

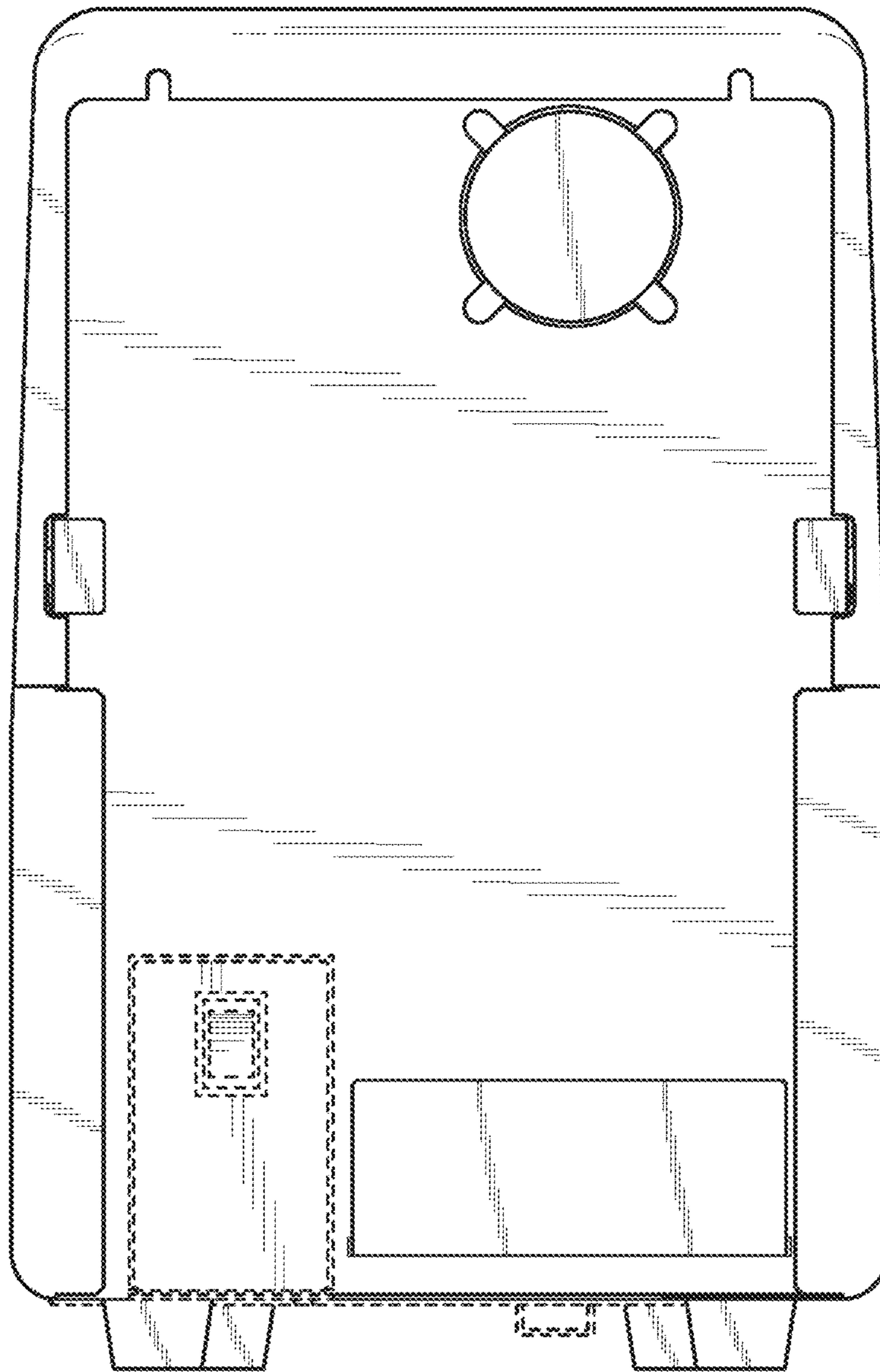


Fig. 7

