

US00D869304S

(12) **United States Design Patent** (10) **Patent No.:** **US D869,304 S**  
**May** (45) **Date of Patent:** **\*\* Dec. 10, 2019**

(54) **FOLDABLE CHILD HEIGHT RECORDING PANELS**

(71) Applicant: **Michael R. May**, San Jose, CA (US)

(72) Inventor: **Michael R. May**, San Jose, CA (US)

(\*\*) Term: **15 Years**

(21) Appl. No.: **29/664,480**

(22) Filed: **Sep. 25, 2018**

(51) **LOC (12) Cl.** ..... **10-04**

(52) **U.S. Cl.**  
USPC ..... **D10/71**

(58) **Field of Classification Search**  
USPC ..... D10/70, 71  
CPC ..... A61B 5/1072; G01B 3/02; G01B 3/04;  
G01B 5/061; Y10S 33/01  
See application file for complete search history.

(56) **References Cited**

**U.S. PATENT DOCUMENTS**

1,608,771	A	11/1926	Hunsdon	
1,974,085	A *	9/1934	Shields	A61B 5/1072 33/512
2,410,696	A	11/1946	Wheeler	
3,965,595	A *	6/1976	Kjellqvist	G03B 21/64 40/536
4,008,524	A	2/1977	Allen	
D390,871	S *	2/1998	Whitney	G01B 3/004 D10/71
6,073,359	A	6/2000	Lee	
6,226,881	B1	5/2001	Landauer	
D455,086	S	4/2002	Chelberg	
D612,273	S *	3/2010	Eras	G01B 3/004 D10/71
D617,665	S *	6/2010	Colonna	A61B 5/1072 D10/70
7,770,301	B1 *	8/2010	Grandberry	G01B 3/004 33/494
8,869,415	B1	10/2014	Haykeen	
D799,348	S *	10/2017	Huston	G01B 3/004 D10/70

(Continued)

**OTHER PUBLICATIONS**

<https://www.personalcreations.com/product/> . . .

*Primary Examiner* — Antoine Duval Davis

(74) *Attorney, Agent, or Firm* — Mark V. Loen

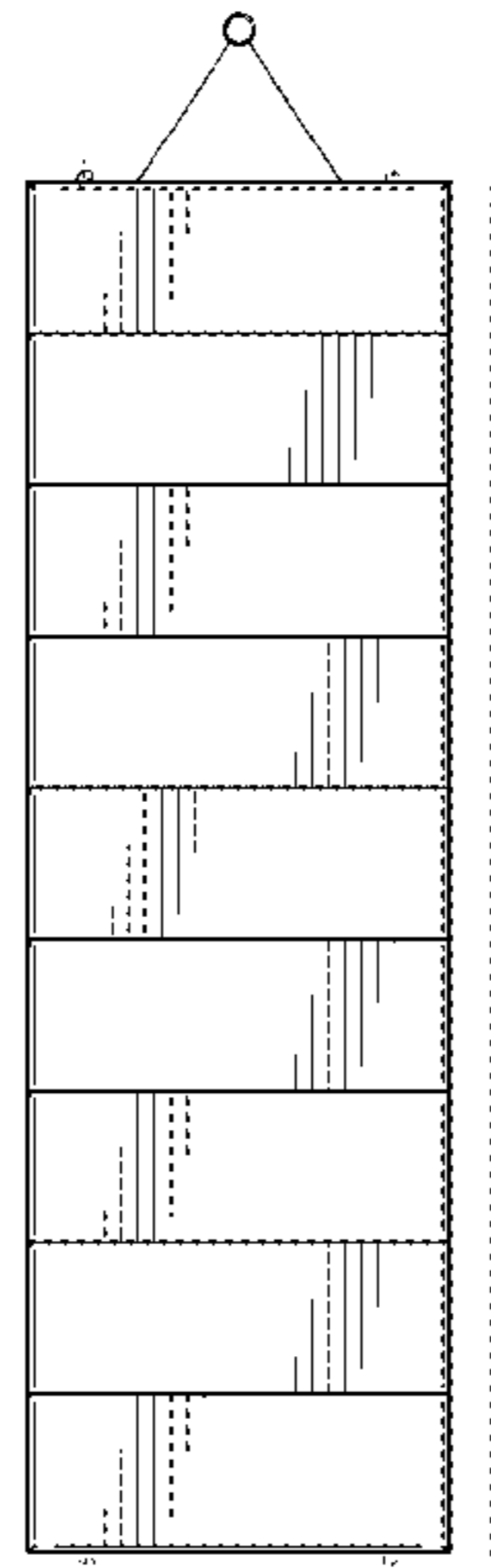
(57) **CLAIM**

The ornamental design for a foldable child height recording panels, as shown and described.

**DESCRIPTION**

FIG. 1 is a front view of a foldable child height recording panels; the back view being a mirror image; FIG. 2 is a right side view thereof, the left side view being a mirror image; FIG. 3 is a lower edge view thereof; FIG. 4 is a top edge view thereof; FIG. 5 is an isometric view thereof; FIG. 6 is an upper detail view of a panel edge from FIG. 5 thereof; FIG. 7 is a lower detail view of a panel edge from FIG. 5 thereof; FIG. 8 is an isometric view of the panels in a folded position thereof; FIG. 9 is a detailed view from FIG. 8 thereof; and, FIG. 10 is a front view thereof with a child and measuring lines drawn in broken lines showing the foldable child height recording panels in a condition of use. The features drawn in broken lines in FIGS. 1-5, 7, 8, 9, and 10 are an unclaimed hanging ring and unclaimed connecting string. Dash dash dot lines shown in FIG. 10 are unclaimed height markings. Other broken lines shown in FIG. 10 are for purposes of illustrating environmental structure associated with the claimed design in condition of use, and which forms no part of the claimed design.

**1 Claim, 4 Drawing Sheets**



(56)

**References Cited**

U.S. PATENT DOCUMENTS

2012/0144686 A1 6/2012 Haykeen

\* cited by examiner

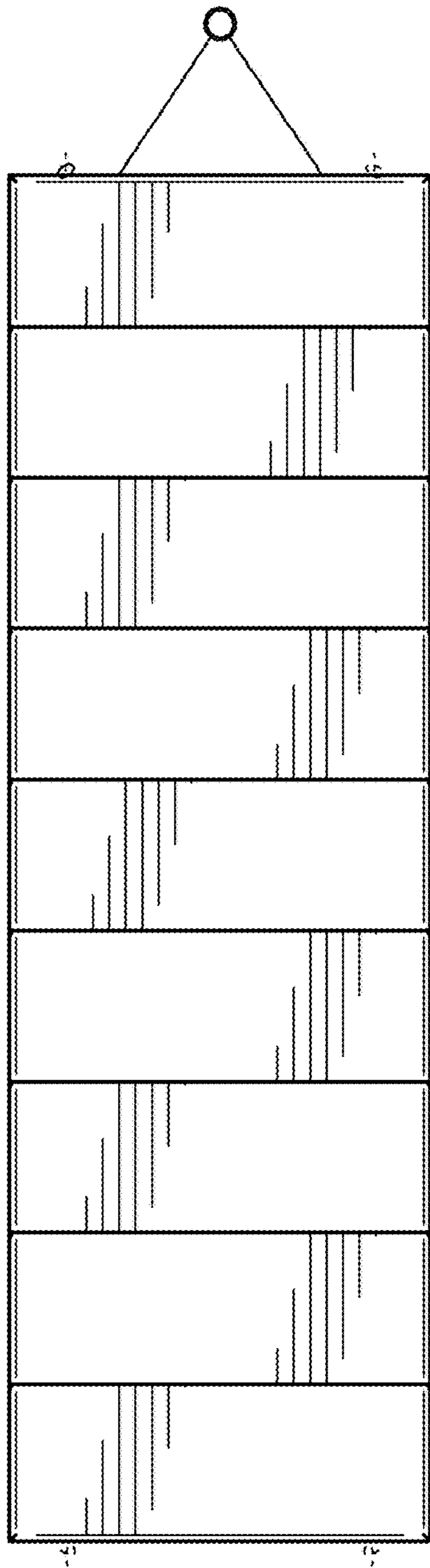


Fig. 1



Fig. 2

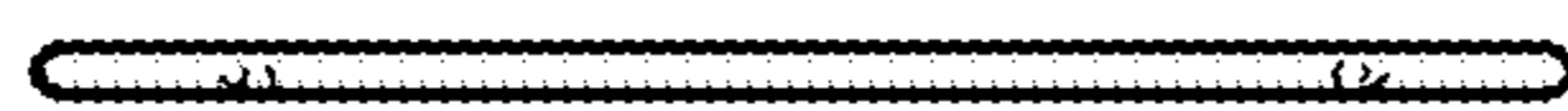


Fig. 3

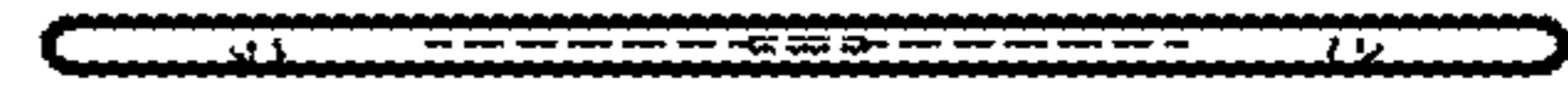
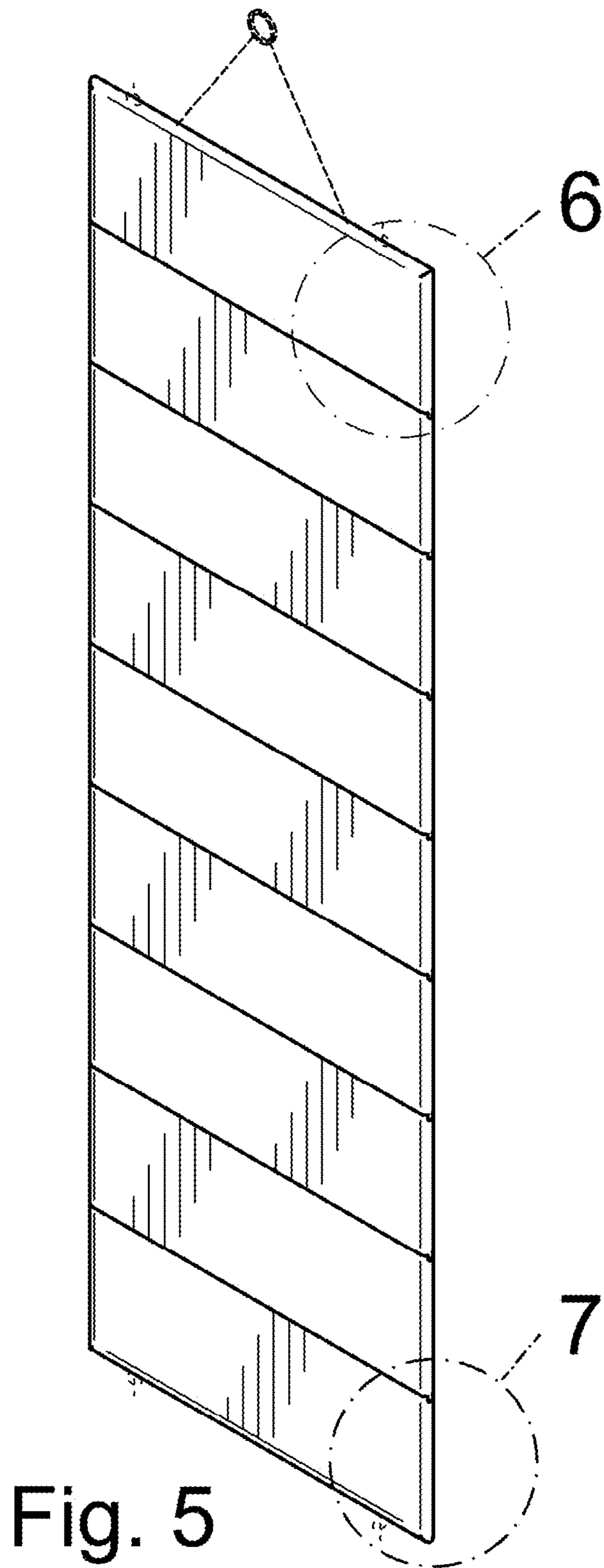


Fig. 4

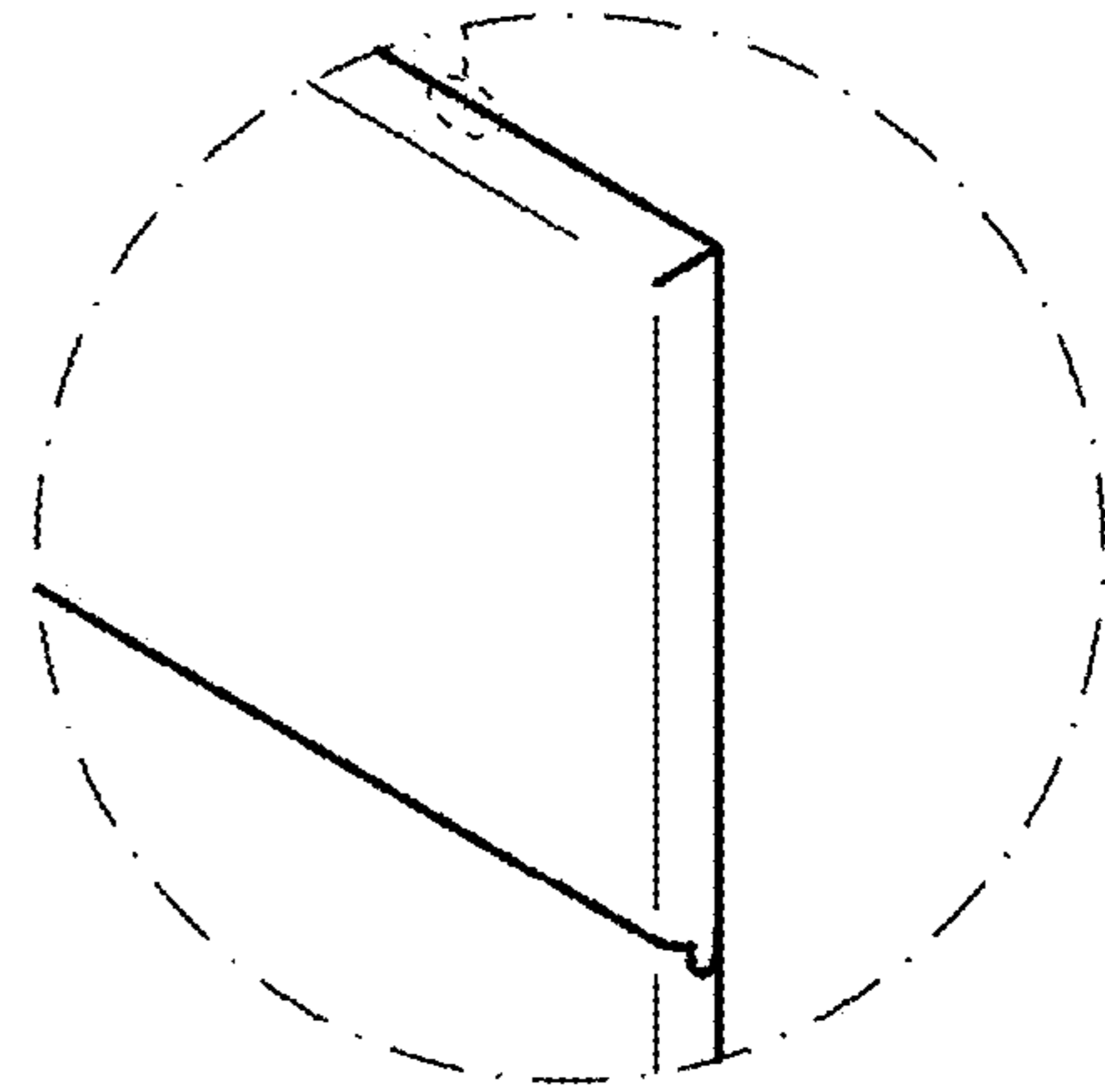


Fig. 6

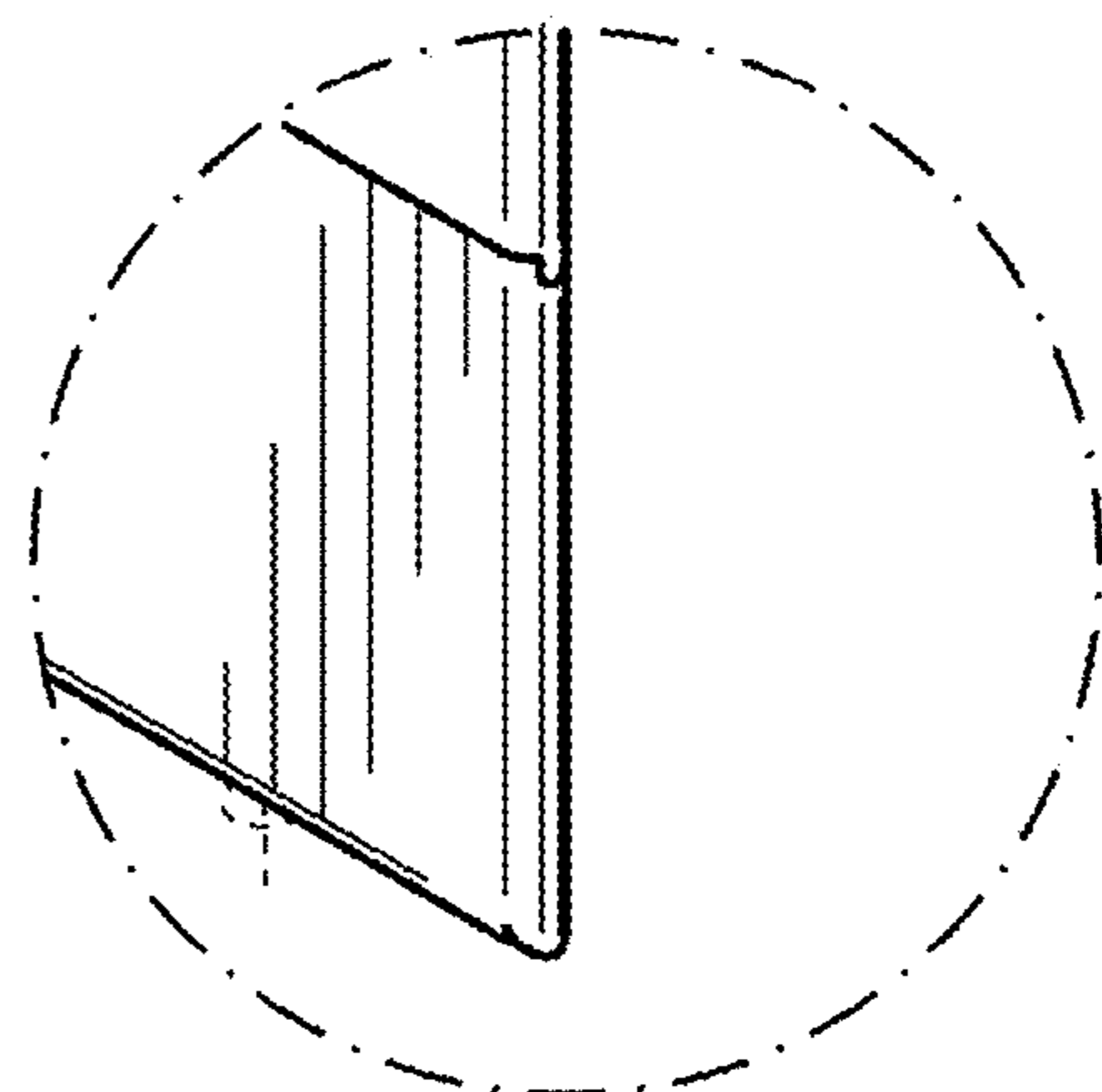


Fig. 7

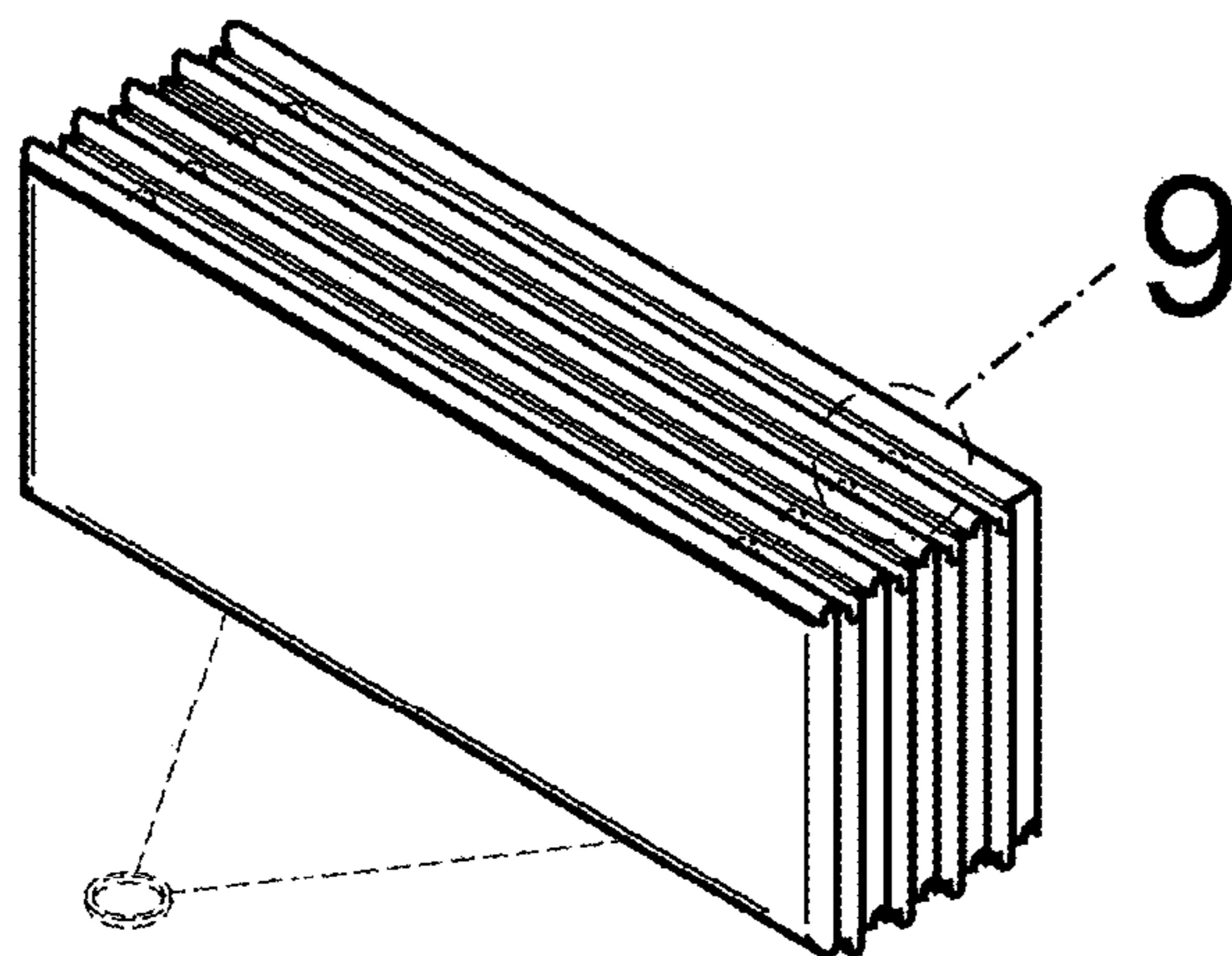


Fig. 8

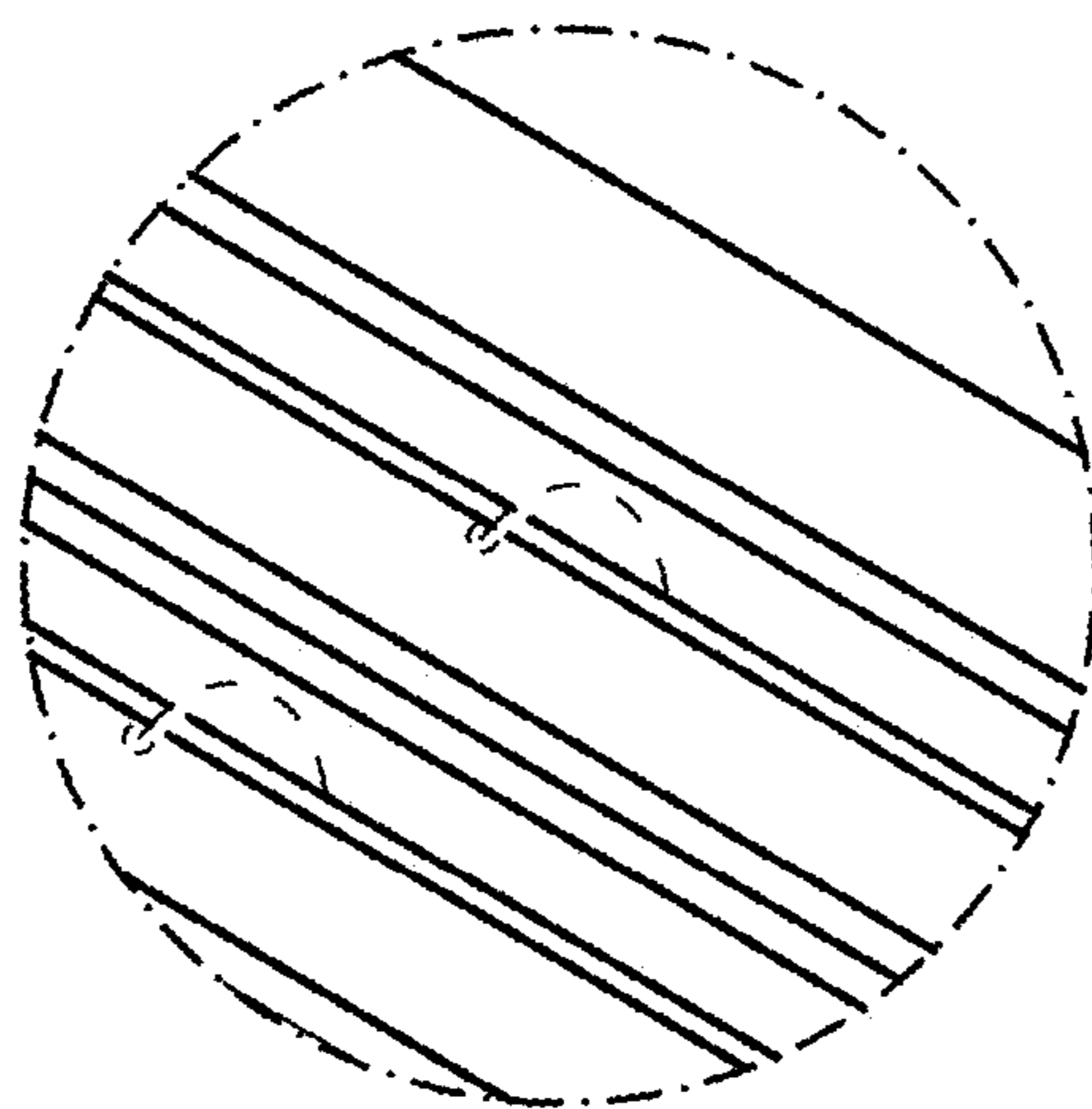


Fig. 9

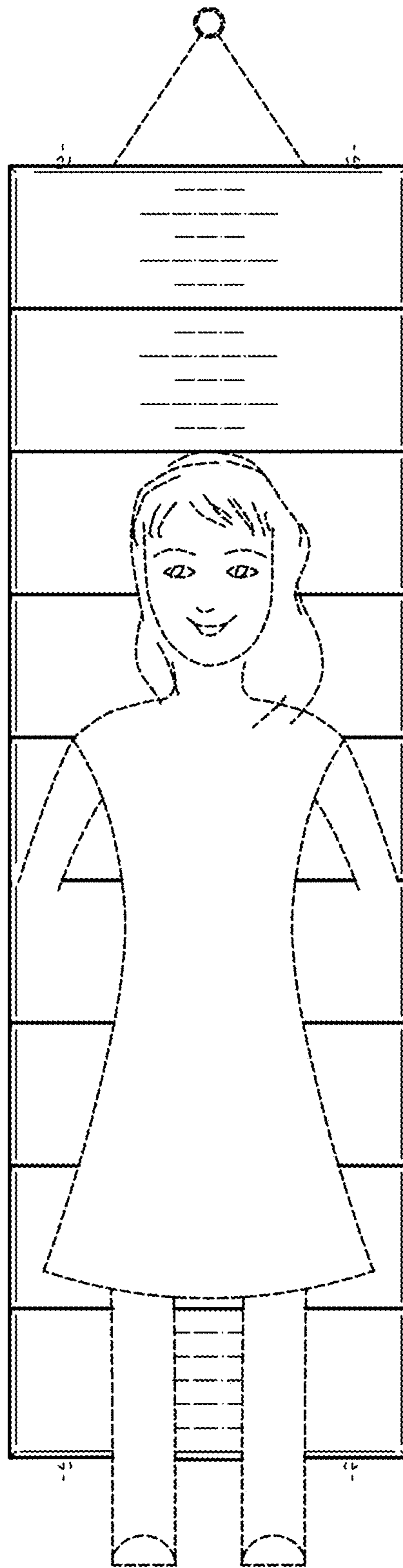


Fig. 10