



US00D869302S

(12) **United States Design Patent**
Rhein et al.

(10) **Patent No.:** **US D869,302 S**

(45) **Date of Patent:** **** Dec. 10, 2019**

(54) **MEASURING STICK FOR A BABY SCALE**

(71) Applicant: **SECA AG**, Reinach (CH)

(72) Inventors: **Detlef Rhein**, Hamburg (DE); **Till Garthoff**, Hamburg (DE)

(73) Assignee: **seca AG**, Reinach (CH)

(**) Term: **15 Years**

(21) Appl. No.: **35/505,886**

(22) Filed: **Mar. 26, 2018**

(80) **Hague Agreement Data**

Int. Filing Date: **Mar. 26, 2018**

Int. Reg. No.: **DM/103146**

Int. Reg. Date: **Mar. 26, 2018**

Int. Reg. Pub. Date: **Oct. 19, 2018**

(51) **LOC (12) Cl.** **10-04**

(52) **U.S. Cl.**

USPC **D10/70**

CPC **A61B 5/1072** (2013.01)

(58) **Field of Classification Search**

USPC D10/70, 87, 88; 177/238–245, 262;
33/512, 515, 806, 783, 809, 483–494

CPC A61B 5/1072

See application file for complete search history.

(56) **References Cited**

U.S. PATENT DOCUMENTS

4,339,012 A * 7/1982 Vogel G01G 21/28
177/262

4,363,371 A * 12/1982 Hutchinson G01G 21/22
177/262

D400,810 S * 11/1998 Landauer D10/70

6,256,896 B1 * 7/2001 Landauer A61B 5/107
177/245

D610,927 S * 3/2010 Garthoff D10/70

7,893,367 B2 * 2/2011 Gerster G01G 21/22
177/126

8,201,342 B2 * 6/2012 Gerster A61B 5/1072
33/512

D667,323 S * 9/2012 Niemczak A61B 5/1072
D10/70

* cited by examiner

Primary Examiner — Richard E Chilcot

(74) *Attorney, Agent, or Firm* — WRB-IP LLP

(57) **CLAIM**

The ornamental design for a measuring stick for a baby scale, as shown and described.

DESCRIPTION

1. Measuring stick for a baby scale

1.1 : Perspective

1.2 : Right

1.3 : Back

1.4 : Left

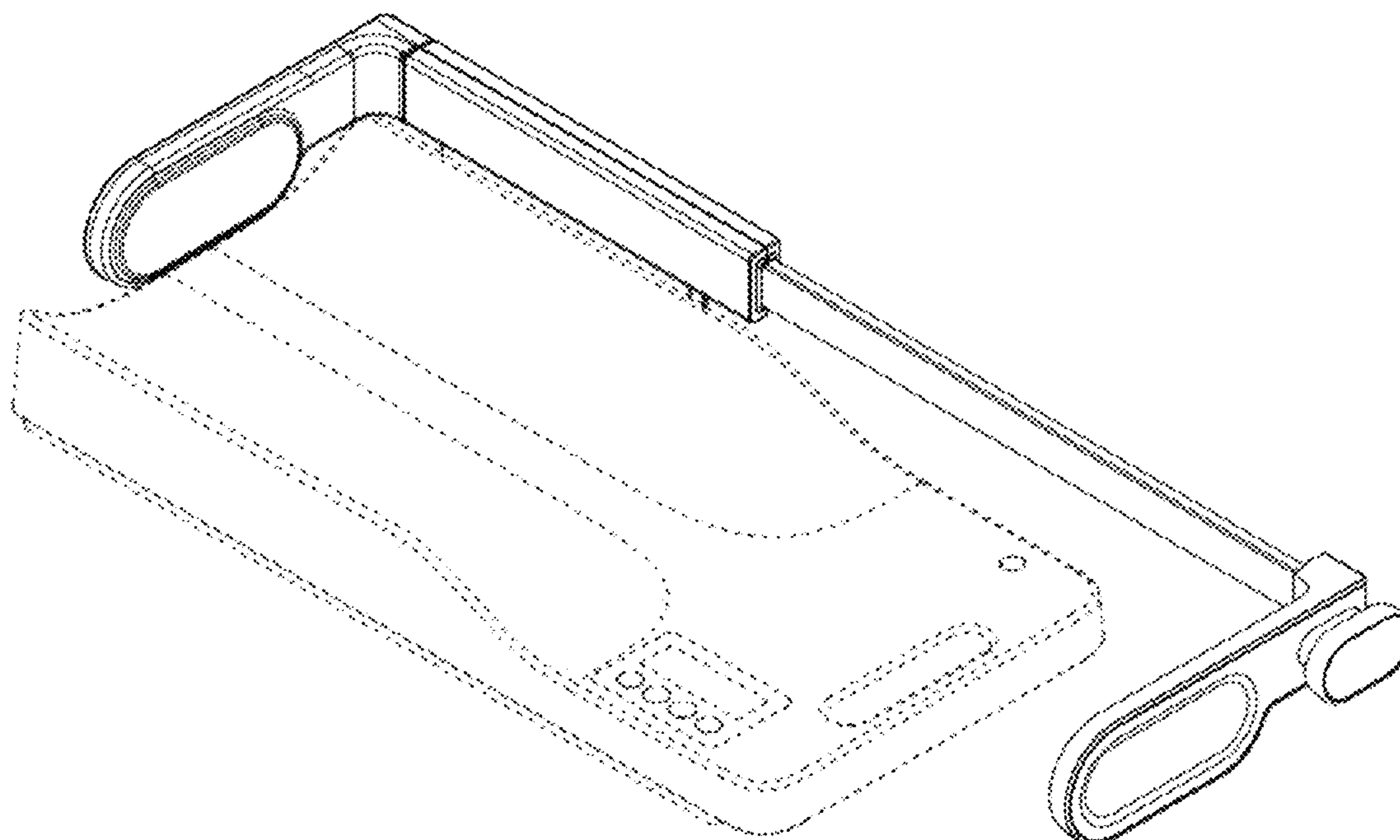
1.5 : Bottom

1.6 : Front

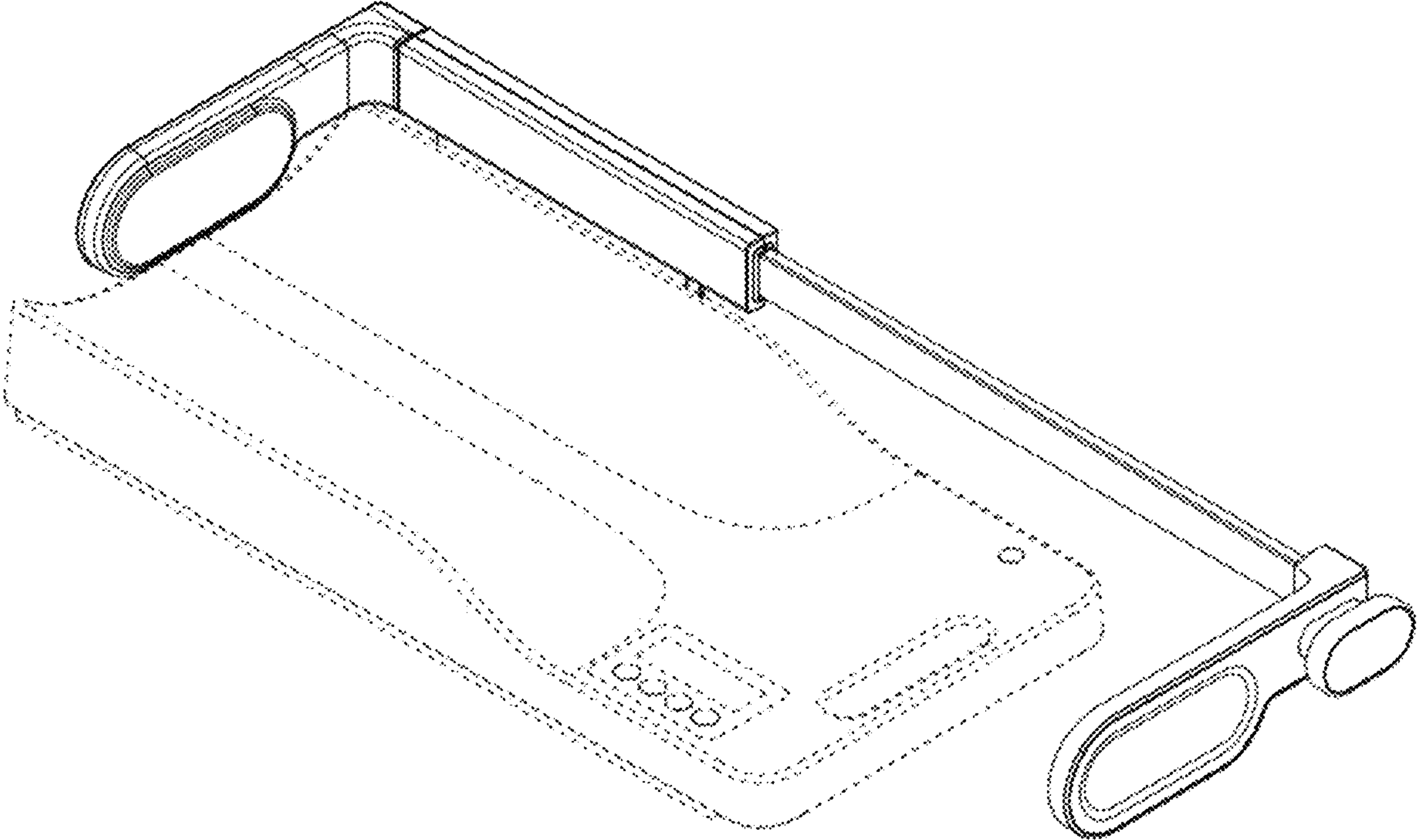
1.7 : Top

The portions of a baby scale shown in broken lines form no part of the claimed design.

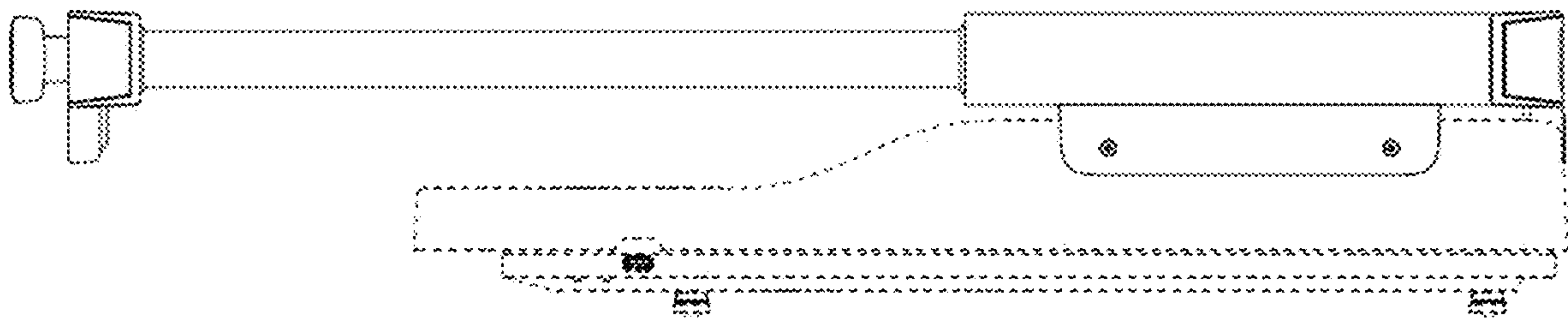
1 Claim, 7 Drawing Sheets



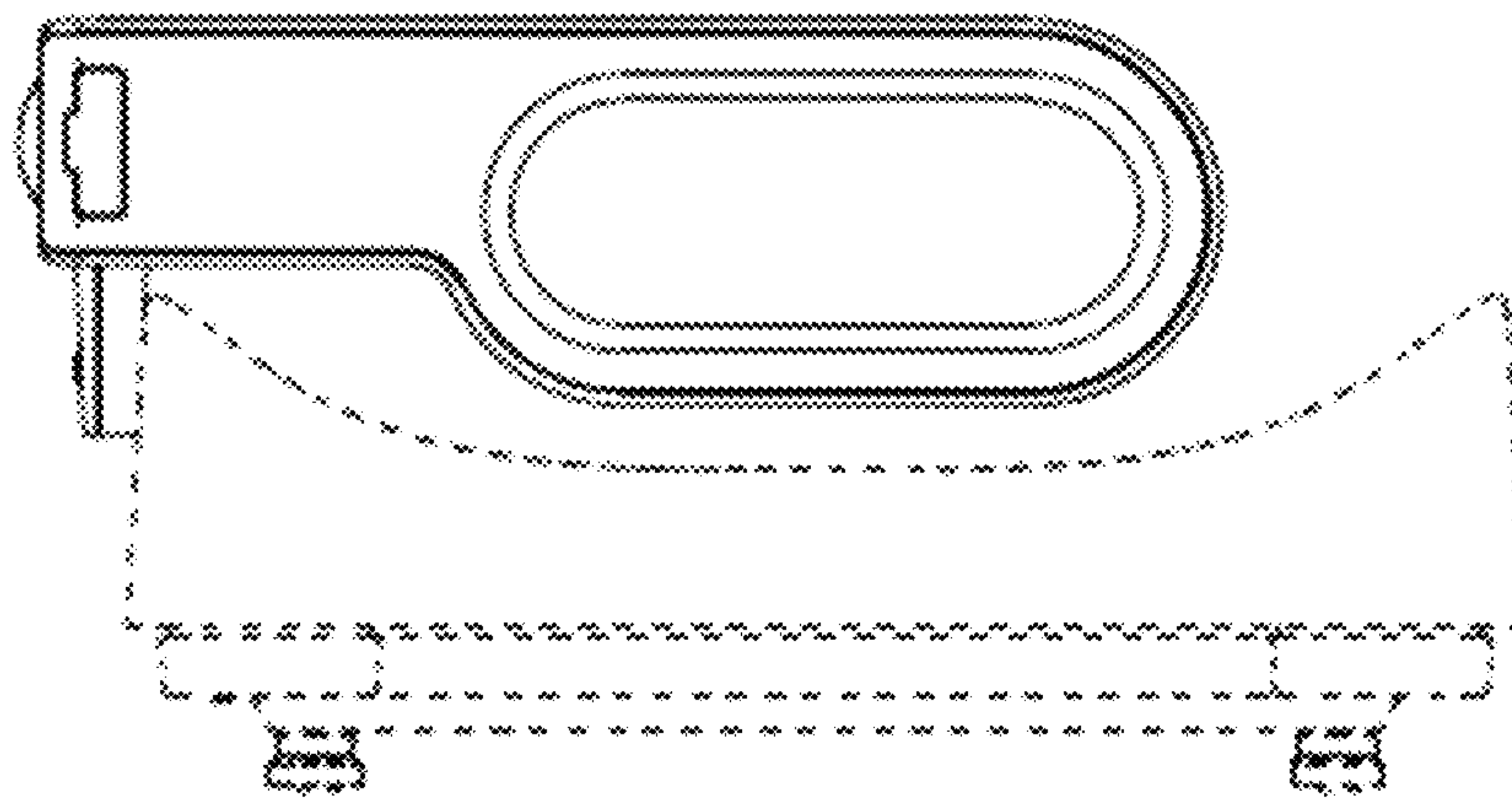
1.1



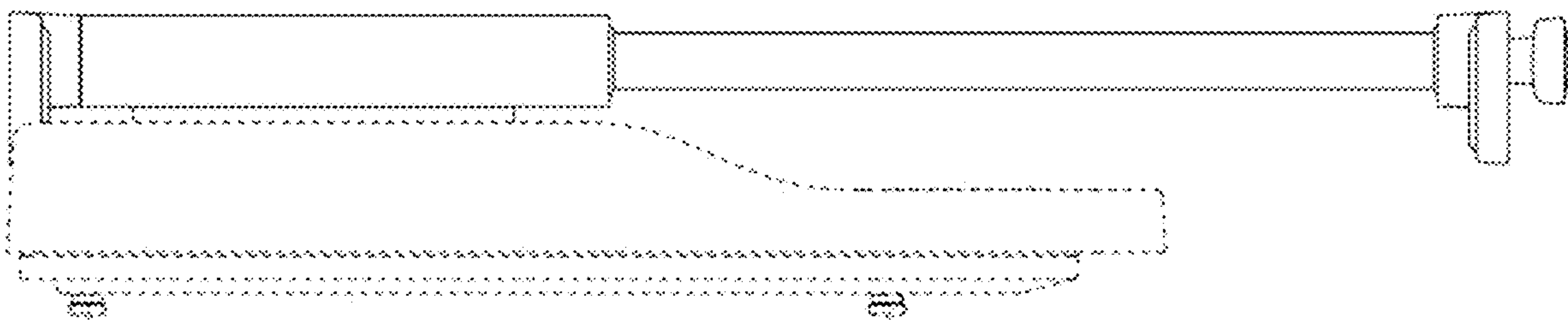
1.2



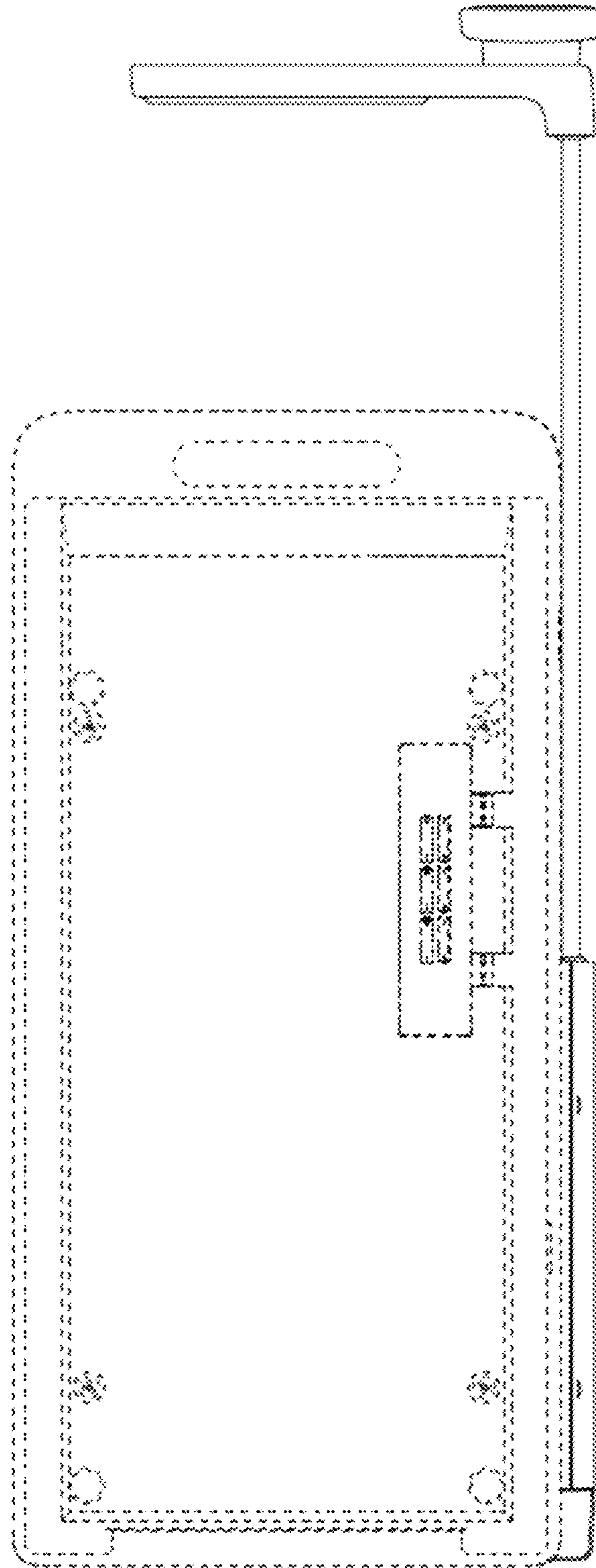
1.3



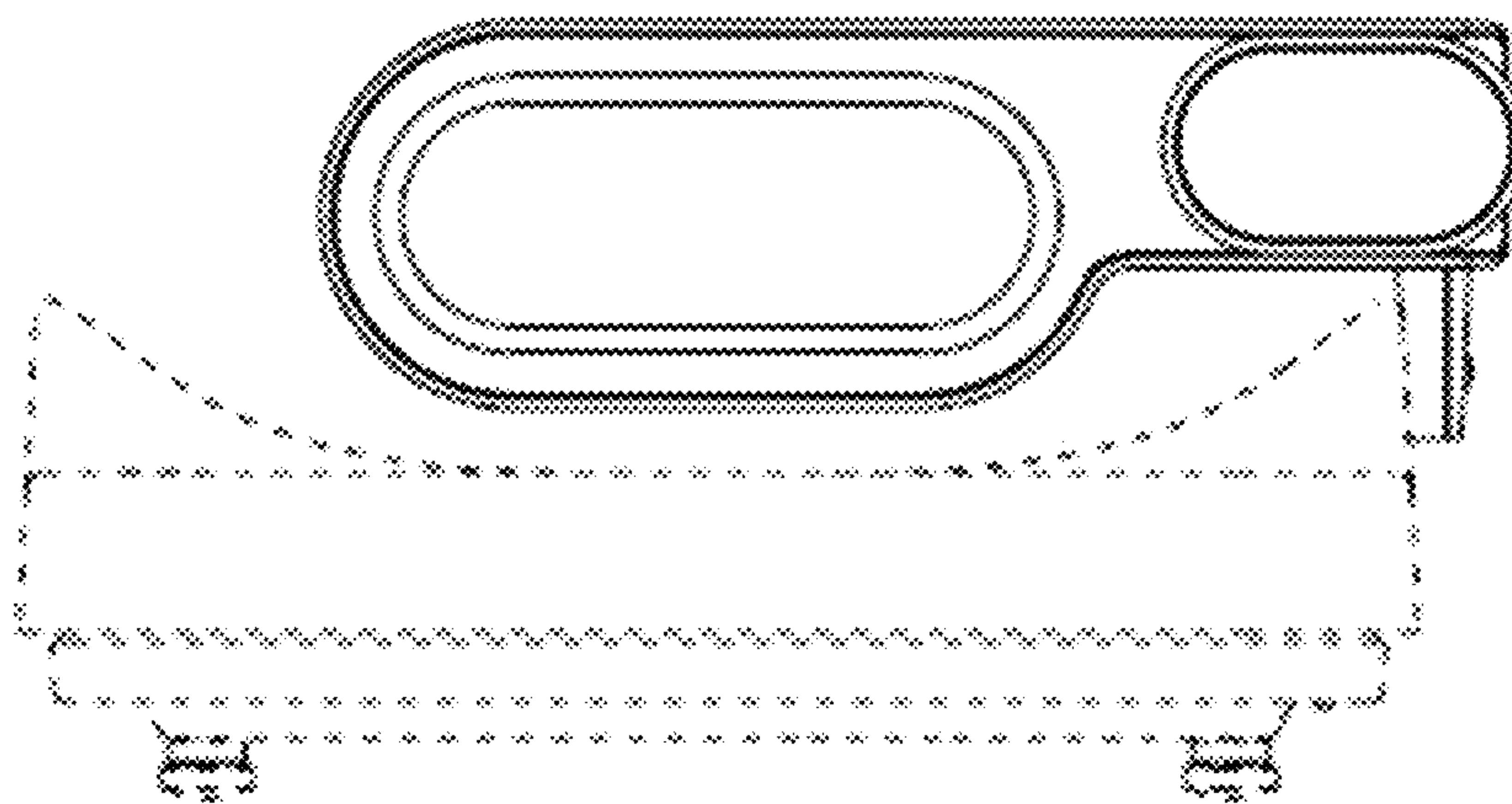
1.4



1.5



1.6



1.7

