



US00D869300S

(12) **United States Design Patent** (10) **Patent No.:** **US D869,300 S**
McClain (45) **Date of Patent:** **** Dec. 10, 2019**

(54) **MULTIFUNCTION ELECTRONIC DEVICE**
 (71) Applicant: **John McClain**, Los Angeles, CA (US)
 (72) Inventor: **John McClain**, Los Angeles, CA (US)
 (**) Term: **15 Years**

(21) Appl. No.: **29/643,201**
 (22) Filed: **Apr. 5, 2018**
 (51) **LOC (12) Cl.** **10-04**
 (52) **U.S. Cl.**
 USPC **D10/70; D10/38; D14/344**

(58) **Field of Classification Search**
 USPC D10/78, 30-39, 65, 70, 97, 98; D11/3;
 D14/138 R, 203.5, 203.6, 341, 344;
 D24/167, 186
 CPC A44C 5/00-5/16; G04B 37/00-37/228;
 G04B 45/0069; G04B 19/00-19/34;
 G04B 21/12; G04B 23/12; G04B
 47/00-47/068; G01C 17/00; G01C
 21/00-21/3697; G01C 22/00-22/025;
 G01C 23/00-23/005; G01C 21/16; G06F
 19/3481; G06F 3/00-3/027; G06F 1/163;
 G01P 1/00-1/26; G01P 15/00-15/18;
 A63B 24/00-2024/0096; A63B 2213/00;
 A63B 69/0028; A63B
 2071/0658-2071/0666; A63B
 2220/00-2220/89; A63B 2225/02; A63B
 2225/50; A63B 2220/836; A61B 5/0537;
 A61B 5/4872; A61B 5/4869; A61B
 5/0858; A61B 5/1075; A61B 5/107; A61B
 5/4875; A61B 5/4878; A61B 5/4881;
 A61B 5/61-5/6898; G04R 20/02; G04C
 10/00; G04C 10/02; G08B 21/0269;
 G08B 21/0272; G08B 21/0286; G08B
 21/0288; G08B 21/0291; G08B

21/04-21/2454; G01S 19/00-19/55;
 G04G 9/0064; G04G 9/0005; A63C 11/02
 See application file for complete search history.

(56) **References Cited**

U.S. PATENT DOCUMENTS

D278,037 S *	3/1985	Hattori	D10/30
D336,617 S *	6/1993	Perrin	D10/39
D337,067 S *	7/1993	Patterson	D10/106.1
D386,429 S *	11/1997	Brodmann	D10/30
D599,683 S *	9/2009	Rabassa	D10/39
D599,684 S *	9/2009	Chastaingt	D10/39
D656,424 S *	3/2012	Bentley	D10/70
D833,897 S *	11/2018	Simpson	D10/70

* cited by examiner

Primary Examiner — Antoine Duval Davis
 (74) *Attorney, Agent, or Firm* — St. Onge Steward
 Johnston & Reens LLC

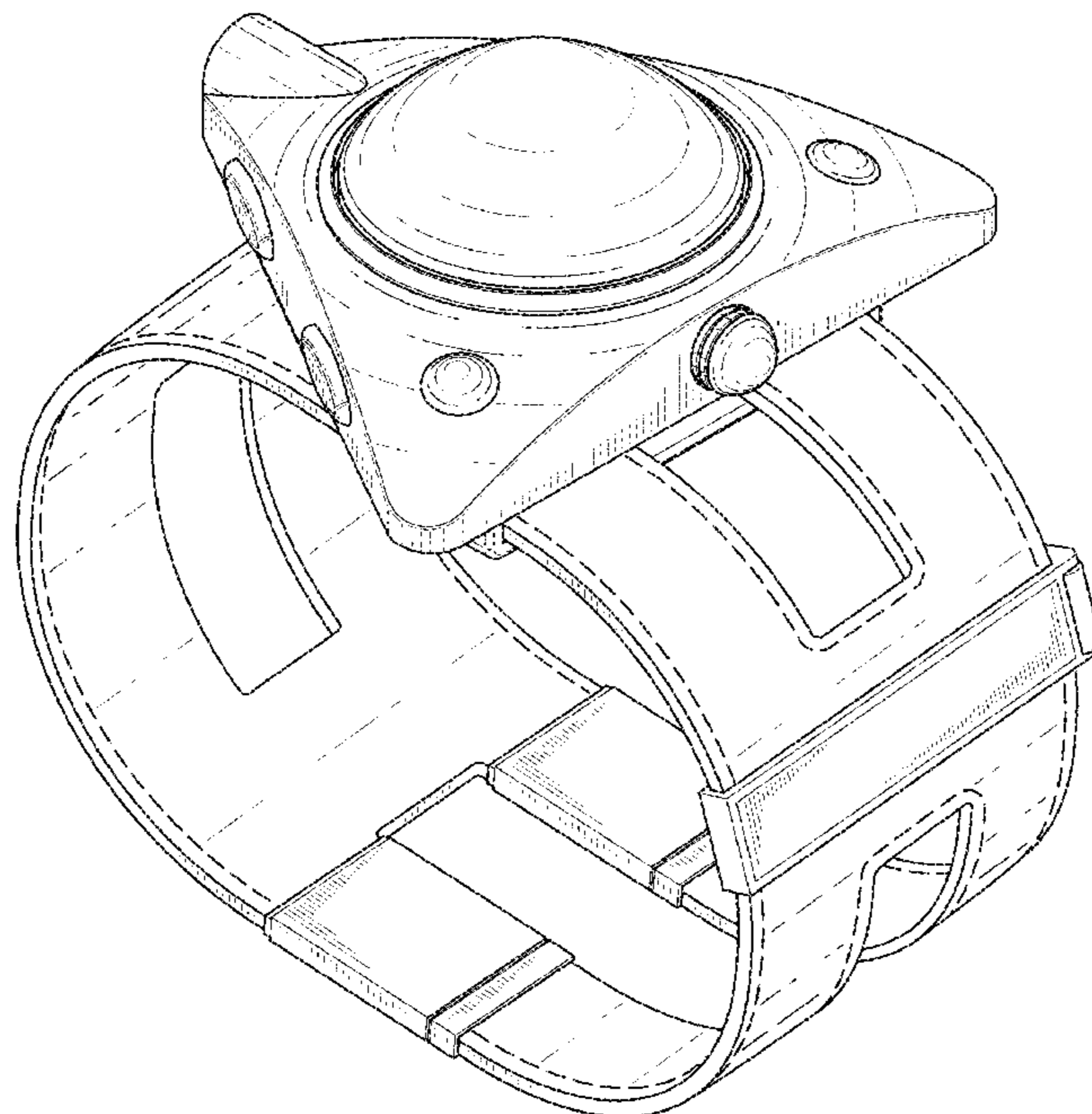
(57) **CLAIM**

The ornamental design for a multifunction electronic device, as shown and described.

DESCRIPTION

FIG. 1 is a perspective view of a multifunction electronic device in accordance with the new design;
 FIG. 2 is a top plan view thereof;
 FIG. 3 is a right side view thereof;
 FIG. 4 is a bottom view thereof;
 FIG. 5 is a left side view thereof;
 FIG. 6 is a rear view thereof; and,
 FIG. 7 is a front view thereof.
 The broken lines shown in FIGS. 1, 2, 4, and 6-7 are for the purpose of illustrating portions of the multifunction electronic device that form no part of the claimed design.

1 Claim, 7 Drawing Sheets



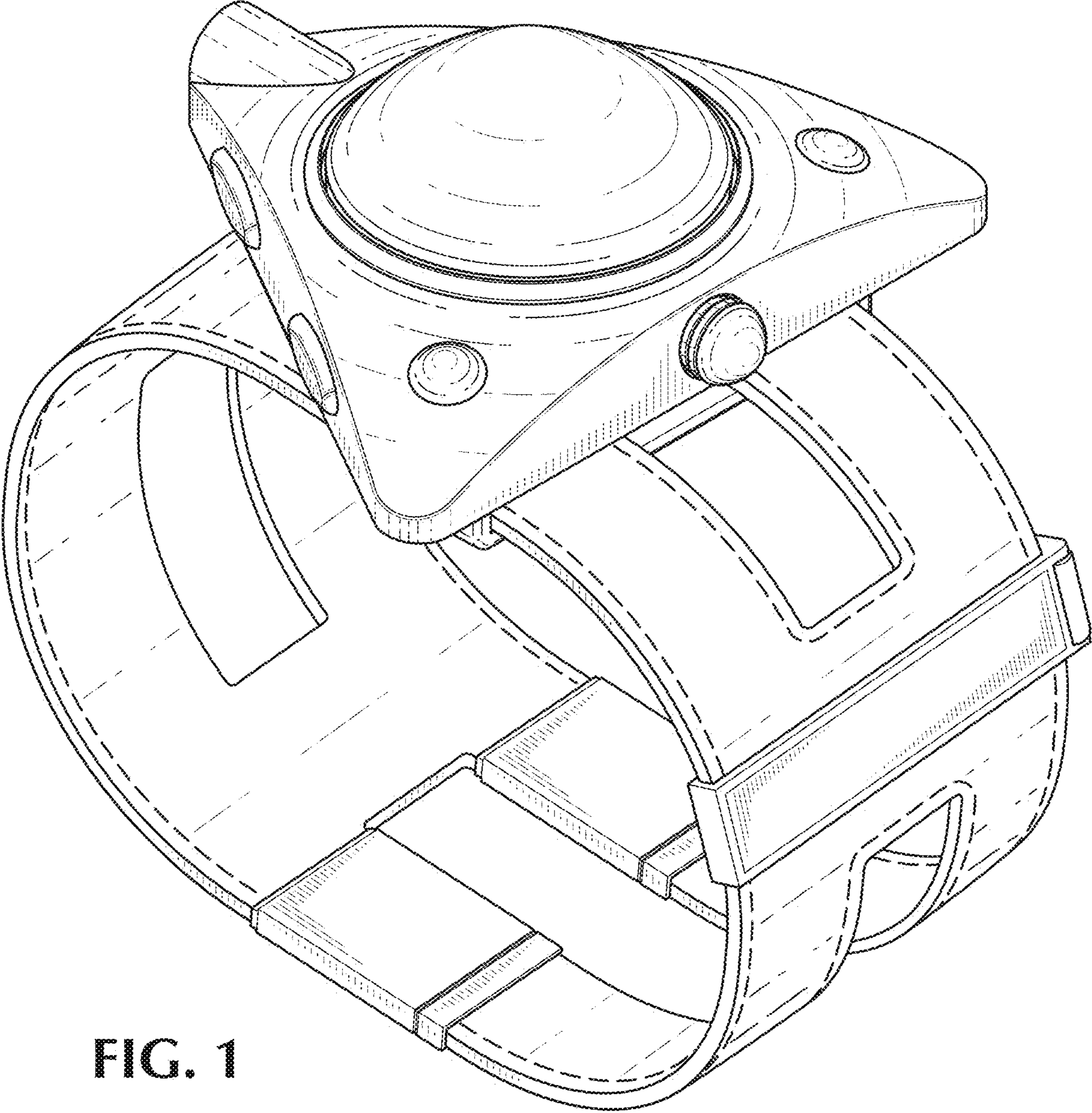


FIG. 1

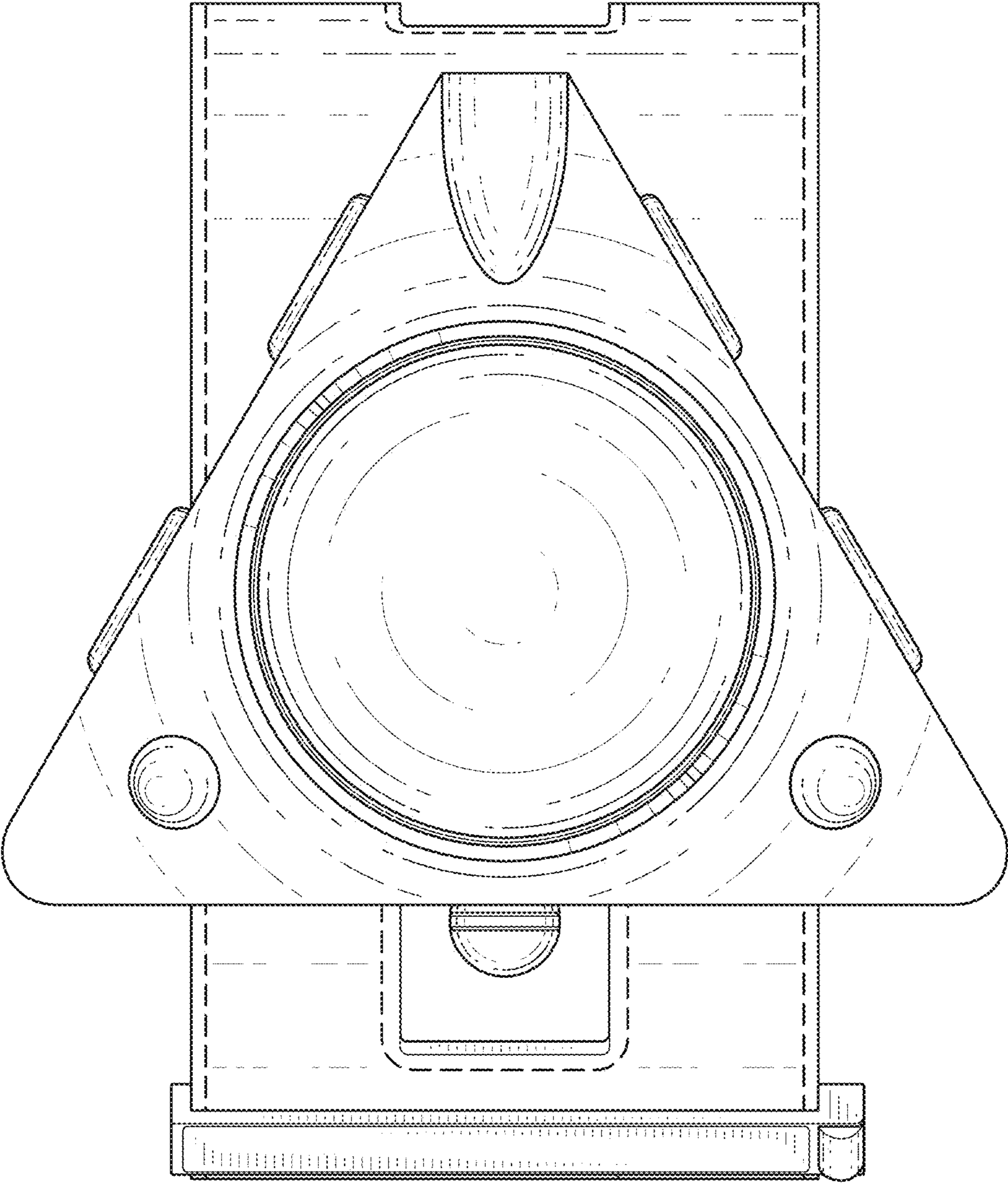


FIG. 2

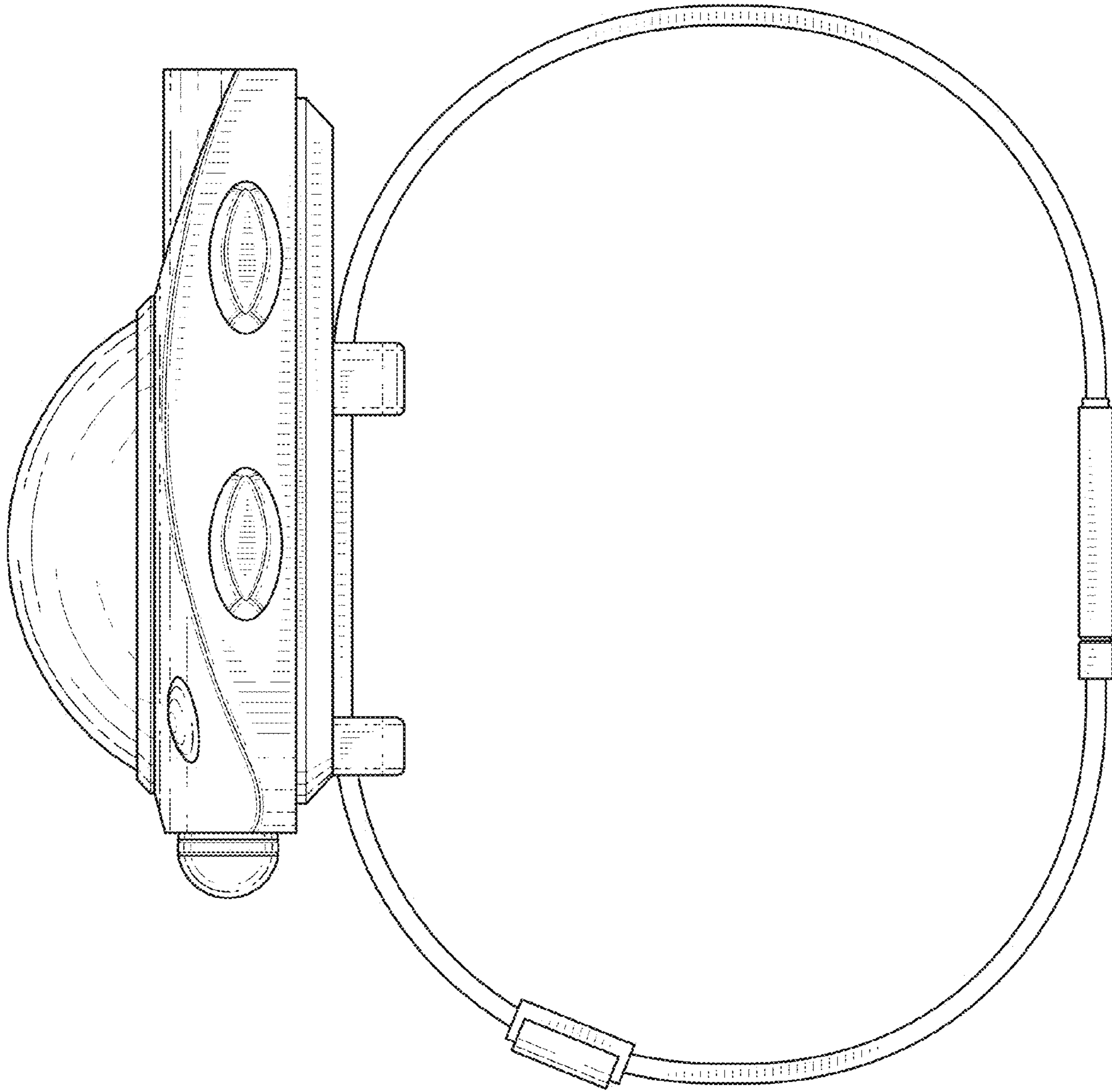


FIG. 3

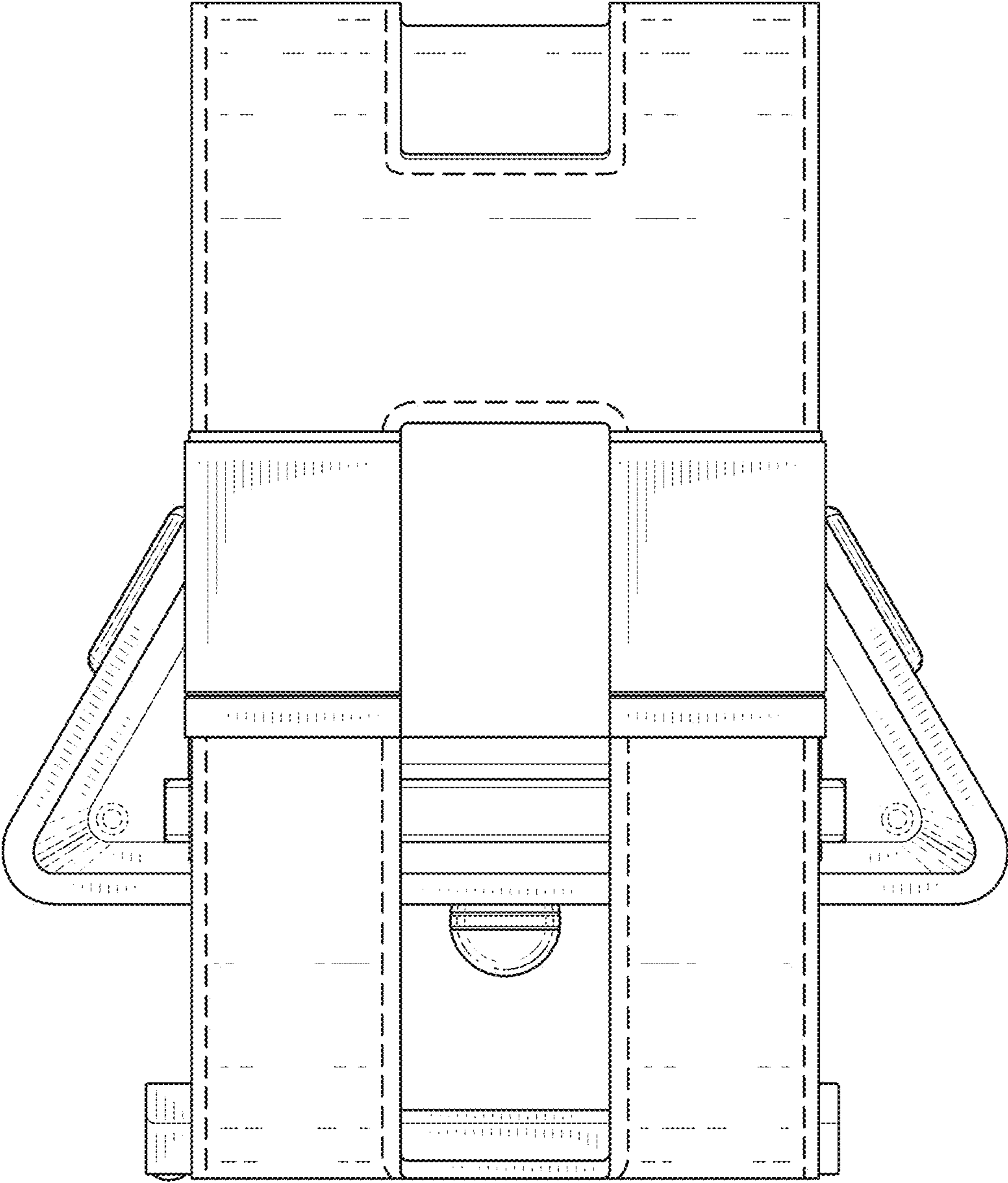


FIG. 4

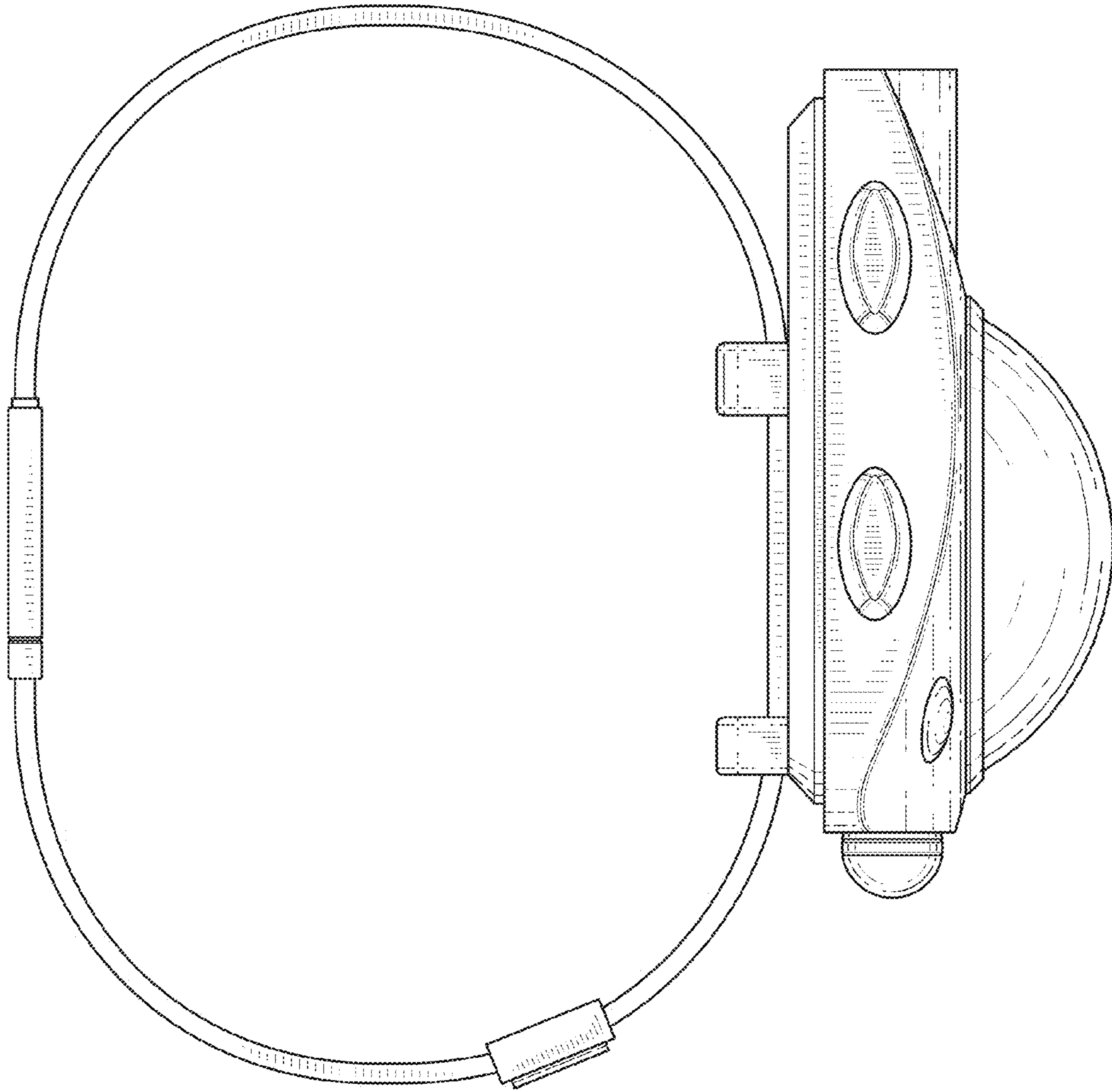


FIG. 5

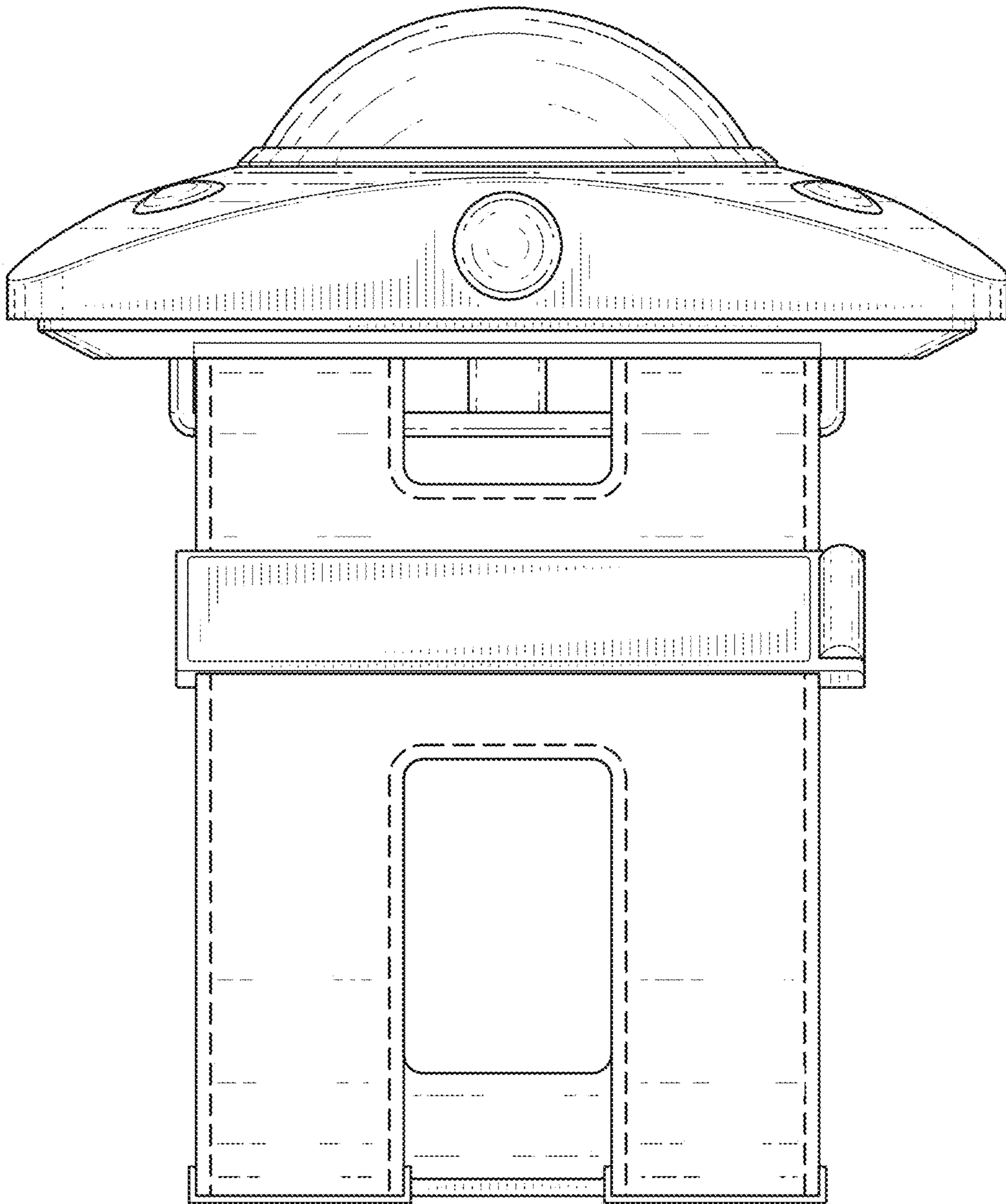


FIG. 6

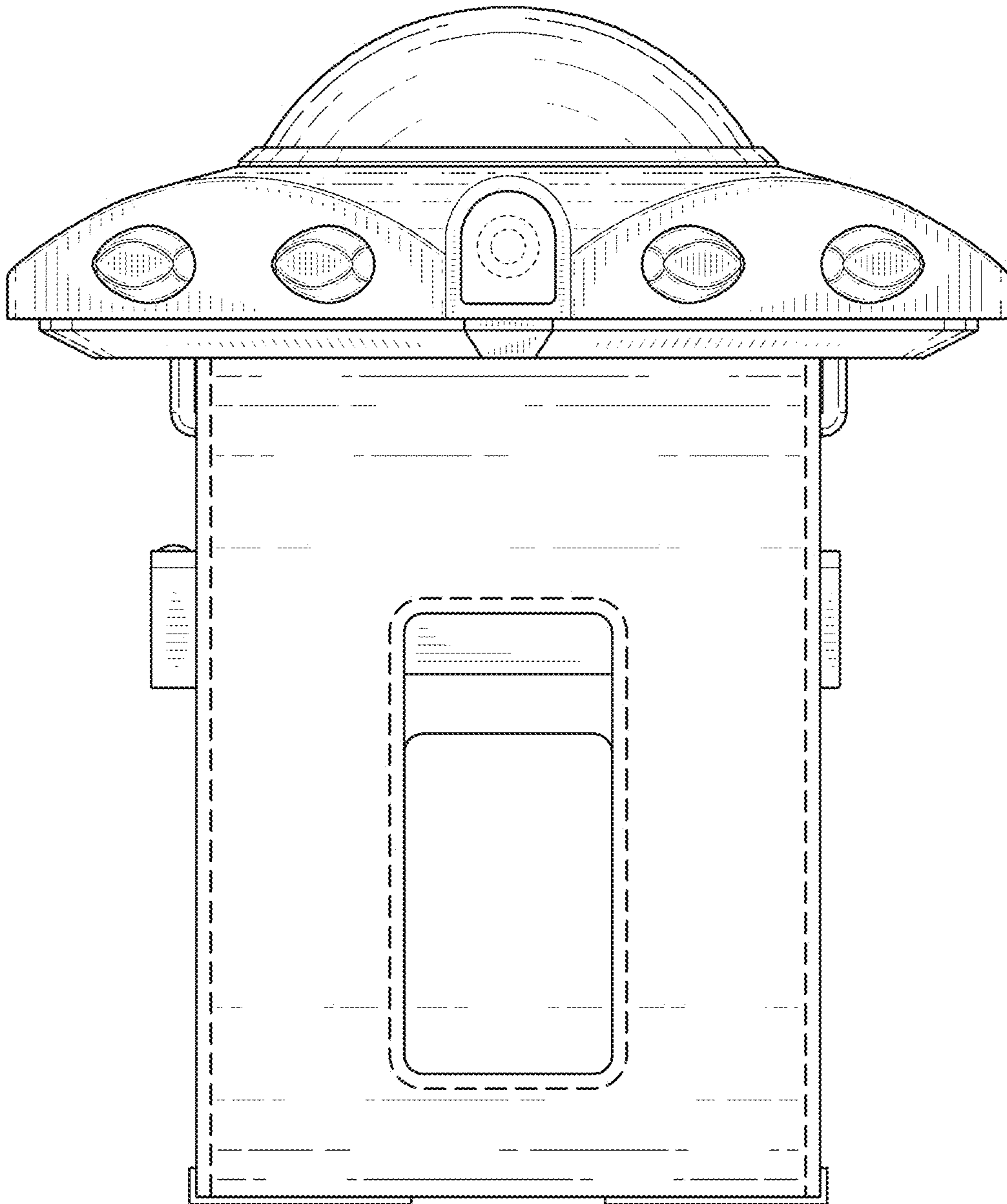


FIG. 7