



US00D869299S

(12) **United States Design Patent** (10) **Patent No.:** **US D869,299 S**  
**Mörsch** (45) **Date of Patent:** **\*\* \*Dec. 10, 2019**

(54) **MEASURING INSTRUMENT**

(71) Applicant: **BLUM-NOVOTEST GMBH,**  
Grünkraut (DE)

(72) Inventor: **Norbert Mörsch,** Wangen (DE)

(73) Assignee: **BLUM-NOVOTEST GMBH,**  
Grünkraut (DE)

(\*) Notice: This patent is subject to a terminal disclaimer.

(\*\*) Term: **15 Years**

(21) Appl. No.: **29/636,229**

(22) Filed: **Feb. 7, 2018**

(51) **LOC (12) Cl.** ..... **10-04**

(52) **U.S. Cl.**  
USPC ..... **D10/70**

(58) **Field of Classification Search**  
USPC ..... D10/46, 70  
CPC .... B23Q 17/09; B23Q 17/0938; B23Q 17/24;  
G01B 11/24  
See application file for complete search history.

(56) **References Cited**

**U.S. PATENT DOCUMENTS**

9,074,878 B2 \* 7/2015 Steffey ..... G01S 17/023

**FOREIGN PATENT DOCUMENTS**

DE 102008017349 10/2009

**OTHER PUBLICATIONS**

MIDA/MARHOSS Product Brochures—Mida Laser P/Compact  
VTS/TBD/ML75P/ML105P/VTS HC.  
Product Brochure—M&H Laser Tool Setters.

\* cited by examiner

*Primary Examiner* — Antoine Duval Davis  
(74) *Attorney, Agent, or Firm* — Tarolli, Sundheim,  
Covell & Tummino LLP

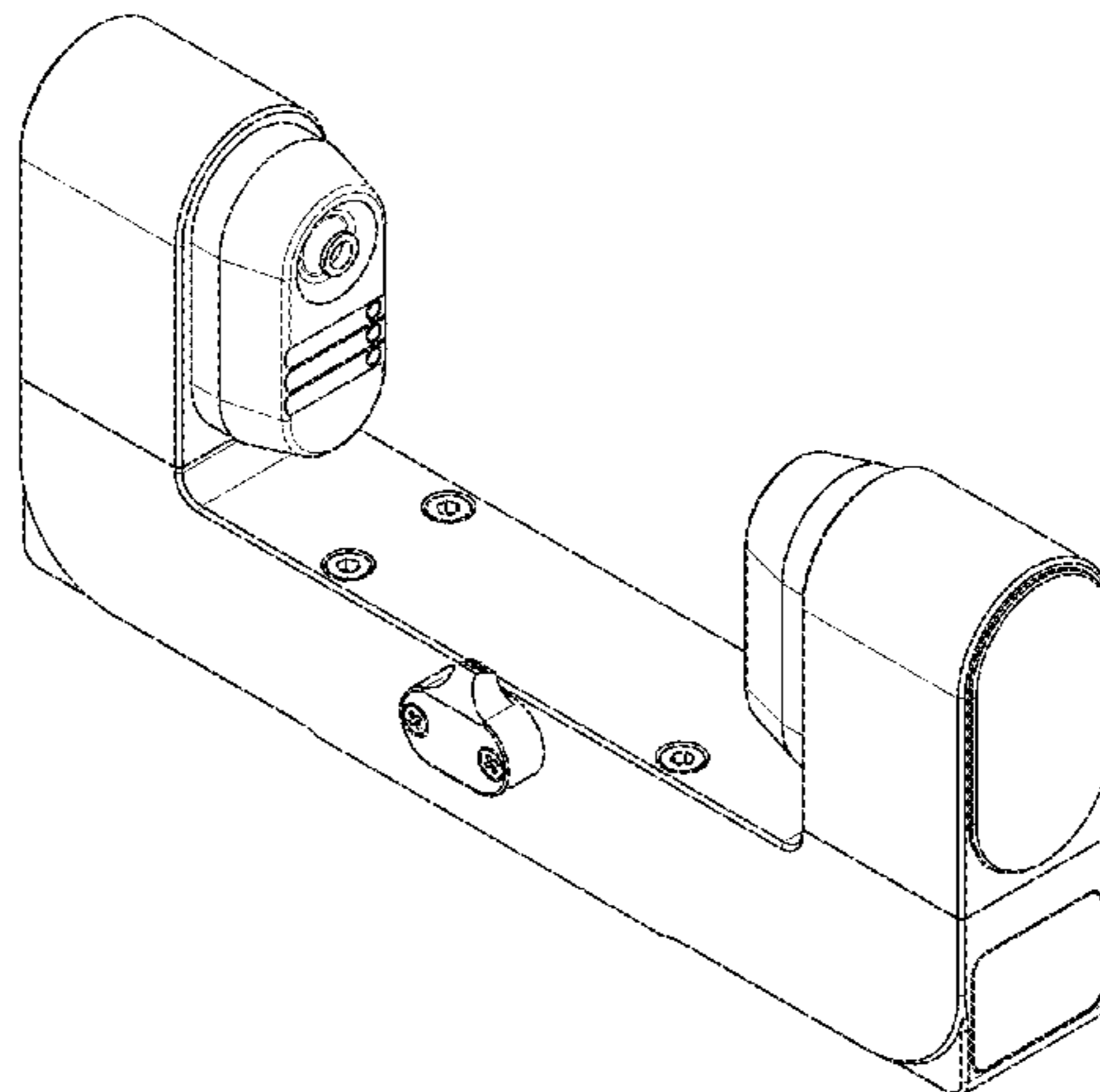
(57) **CLAIM**

I claim the ornamental design for a measuring instrument, as shown and described.

**DESCRIPTION**

FIG. 1 is a perspective view of a measuring instrument comprising a new, original and ornamental design; FIG. 2 is a front elevational of the measuring instrument shown in FIG. 1; FIG. 3 is a rear elevational view of the measuring instrument shown in FIG. 1; FIG. 4 is a left side view of the measuring instrument shown in FIG. 1; FIGS. 5 is a right side view of the measuring instrument shown in FIG. 1; FIG. 6 is a top plan view of the measuring instrument shown in FIG. 1; FIG. 7 is a bottom view of the measuring instrument shown in FIG. 1; FIG. 8 is a perspective view of another embodiment of a measuring instrument comprising a new, original and ornamental design; FIG. 9 is a rear elevational of the measuring instrument shown in FIG. 8; FIG. 10 is a front elevational view of the measuring instrument shown in FIG. 8; FIGS. 11 is a right side view of the measuring instrument shown in FIG. 8; FIG. 12 is a left side view of the measuring instrument shown in FIG. 8; FIG. 13 is a top plan view of the measuring instrument shown in FIG. 8; and, FIG. 14 is a bottom view of the measuring instrument shown in FIG. 8. Broken lines in the Figures, i.e., FIGS. 8-14, are for illustrative purposes only and do not form part of the invention.

**1 Claim, 14 Drawing Sheets**



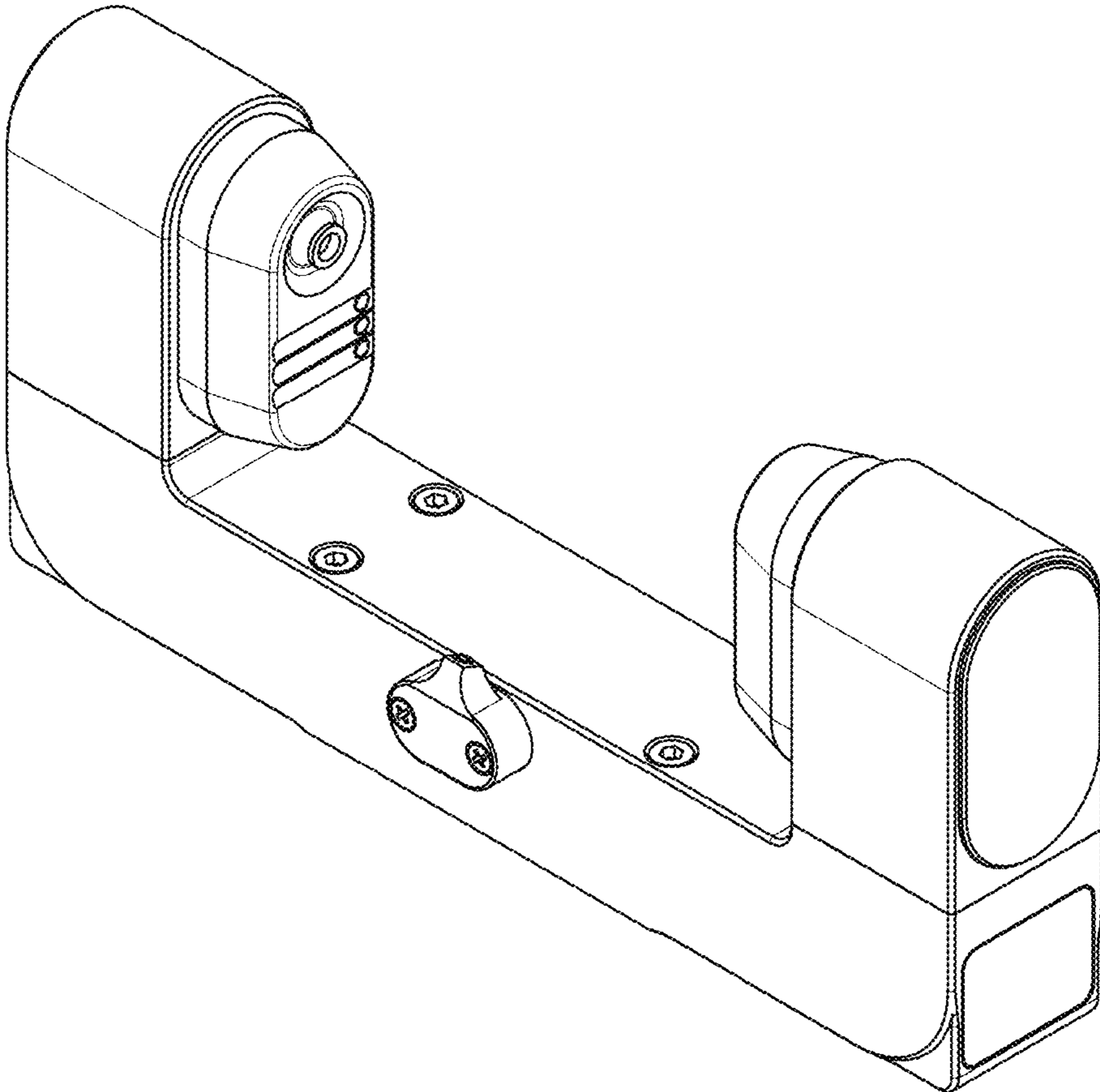


Fig. 1

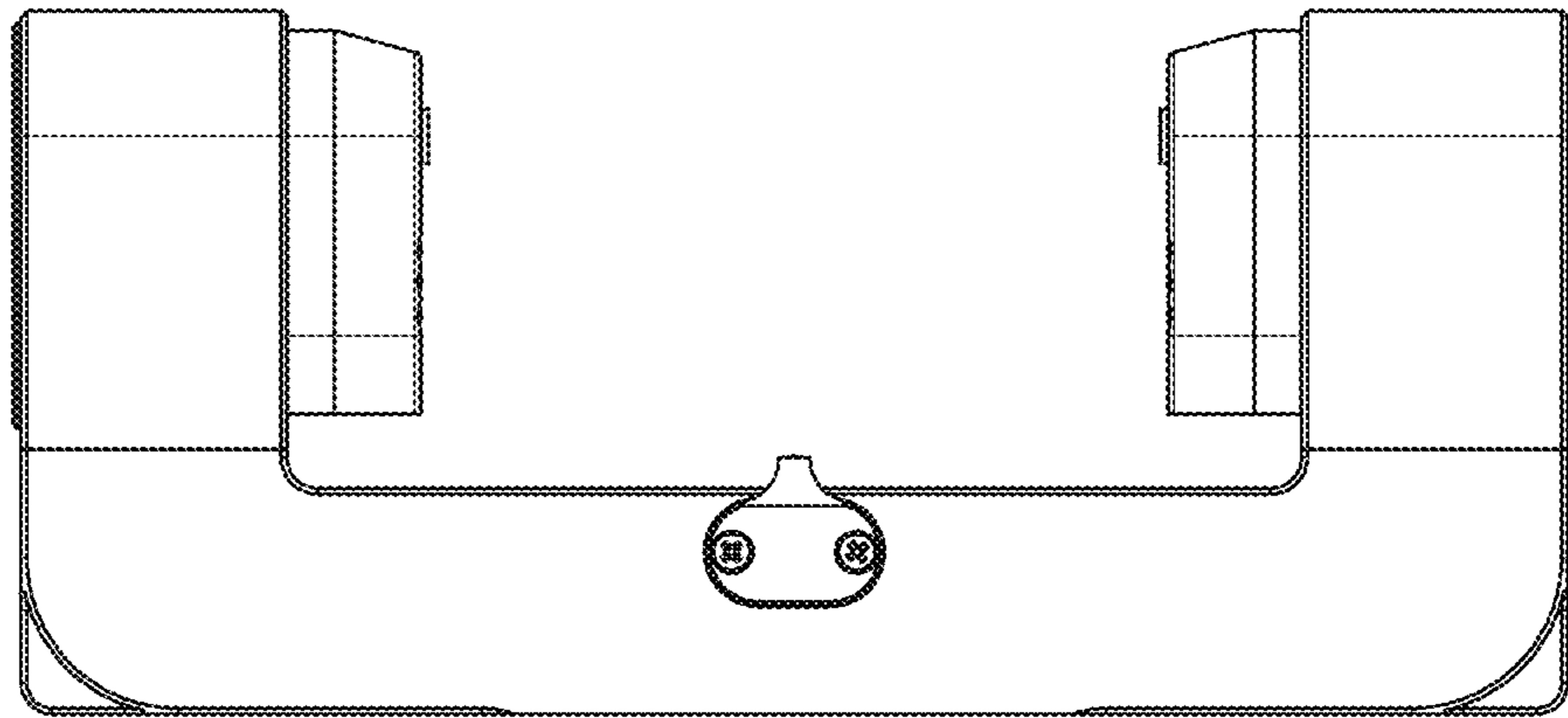


Fig. 2

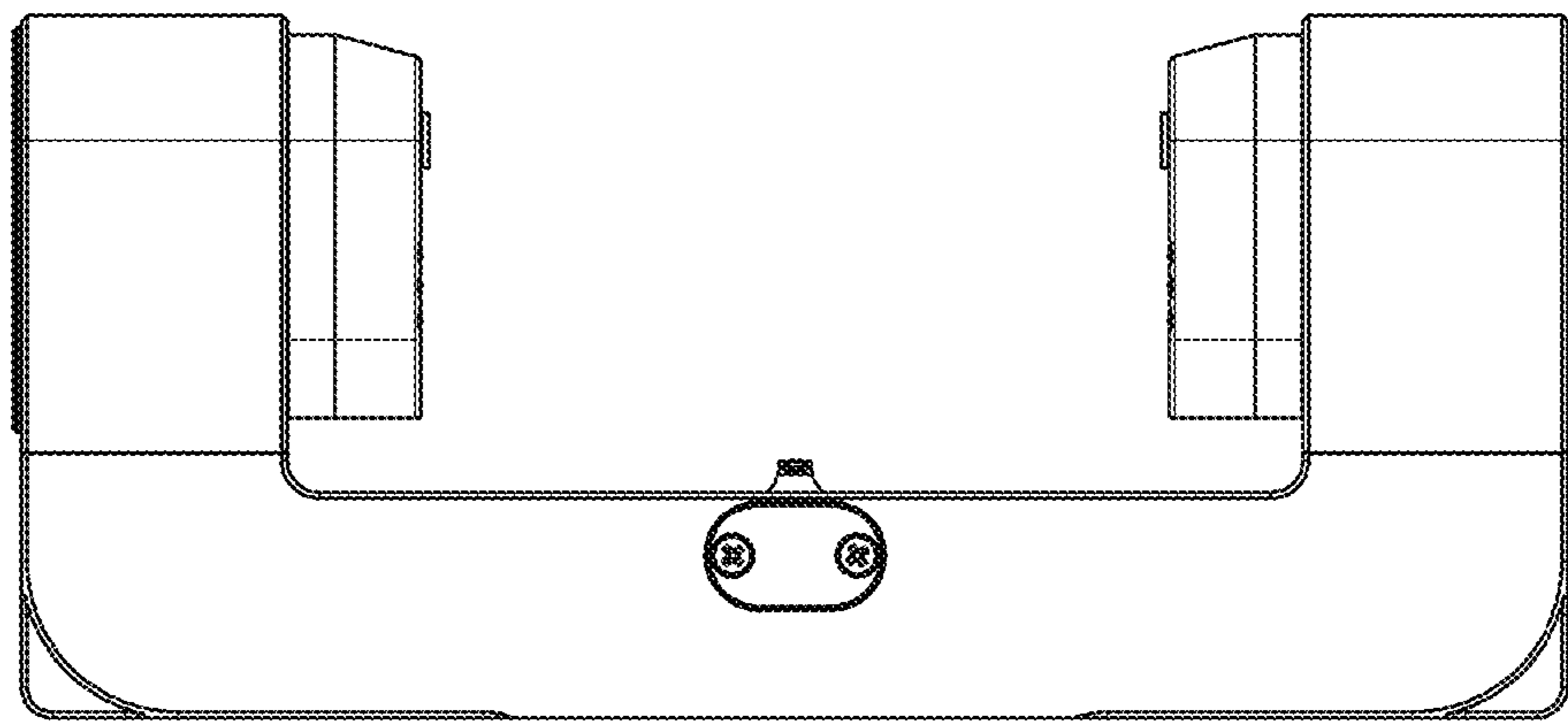


Fig. 3

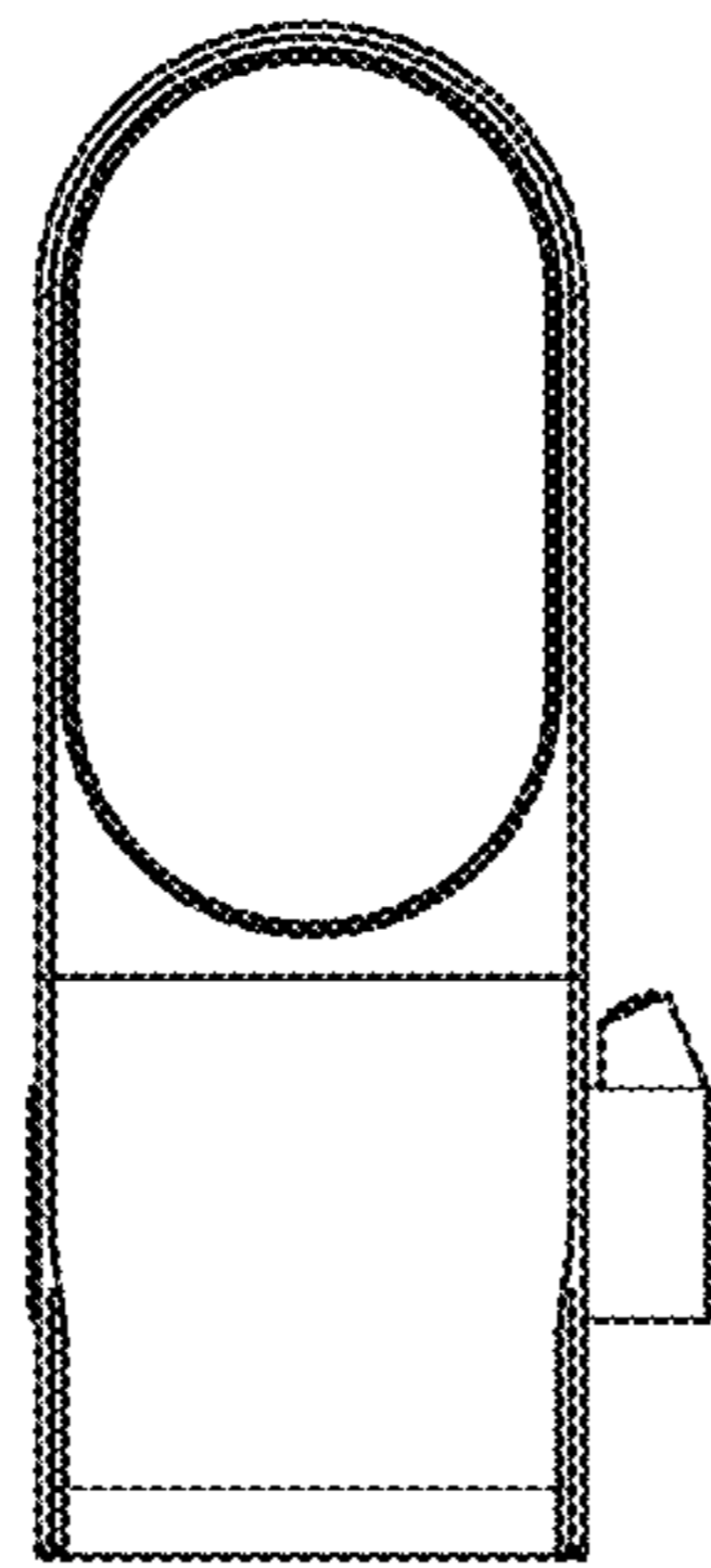


Fig. 4

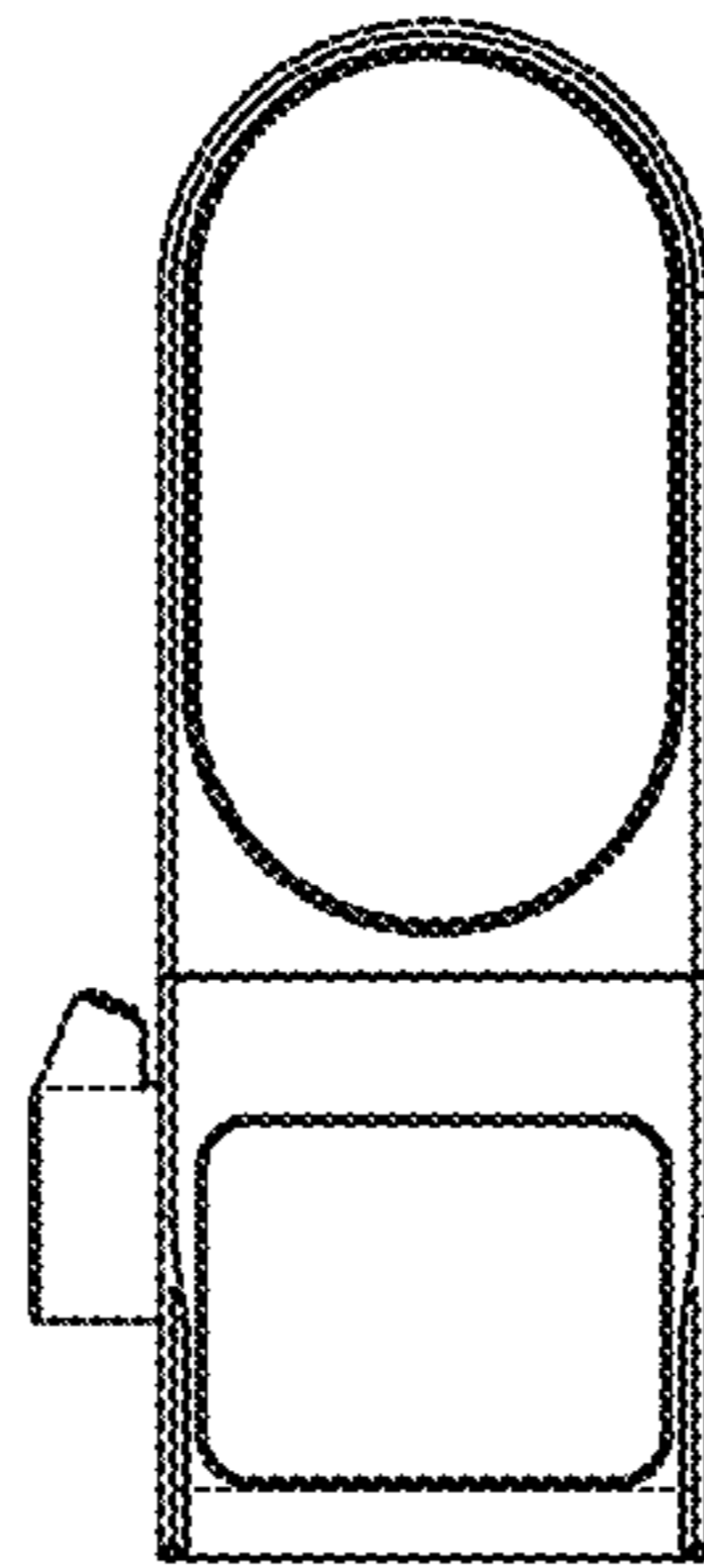


Fig. 5

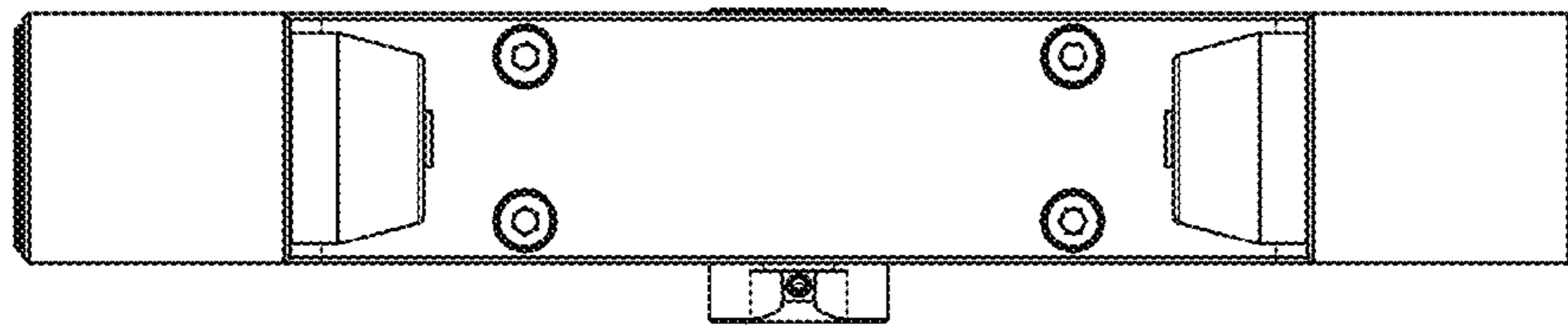


Fig. 6

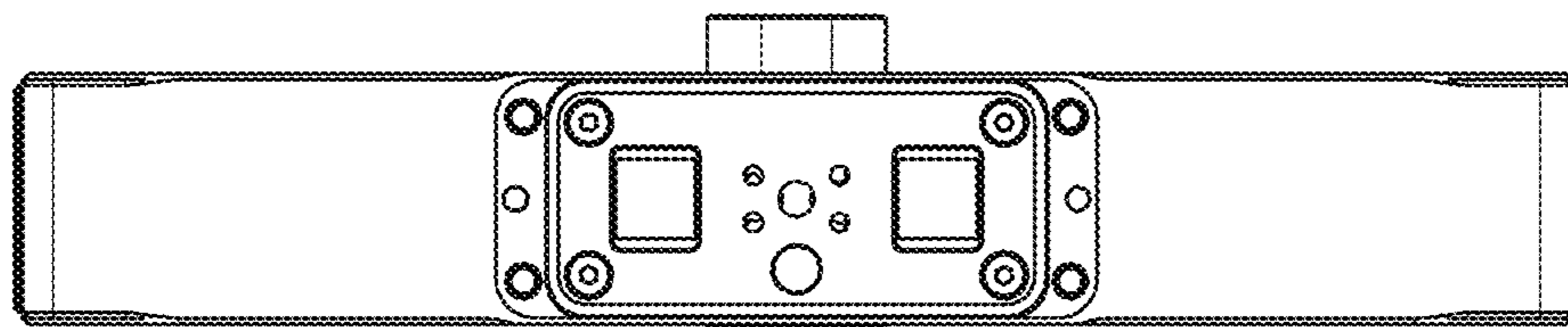


Fig. 7



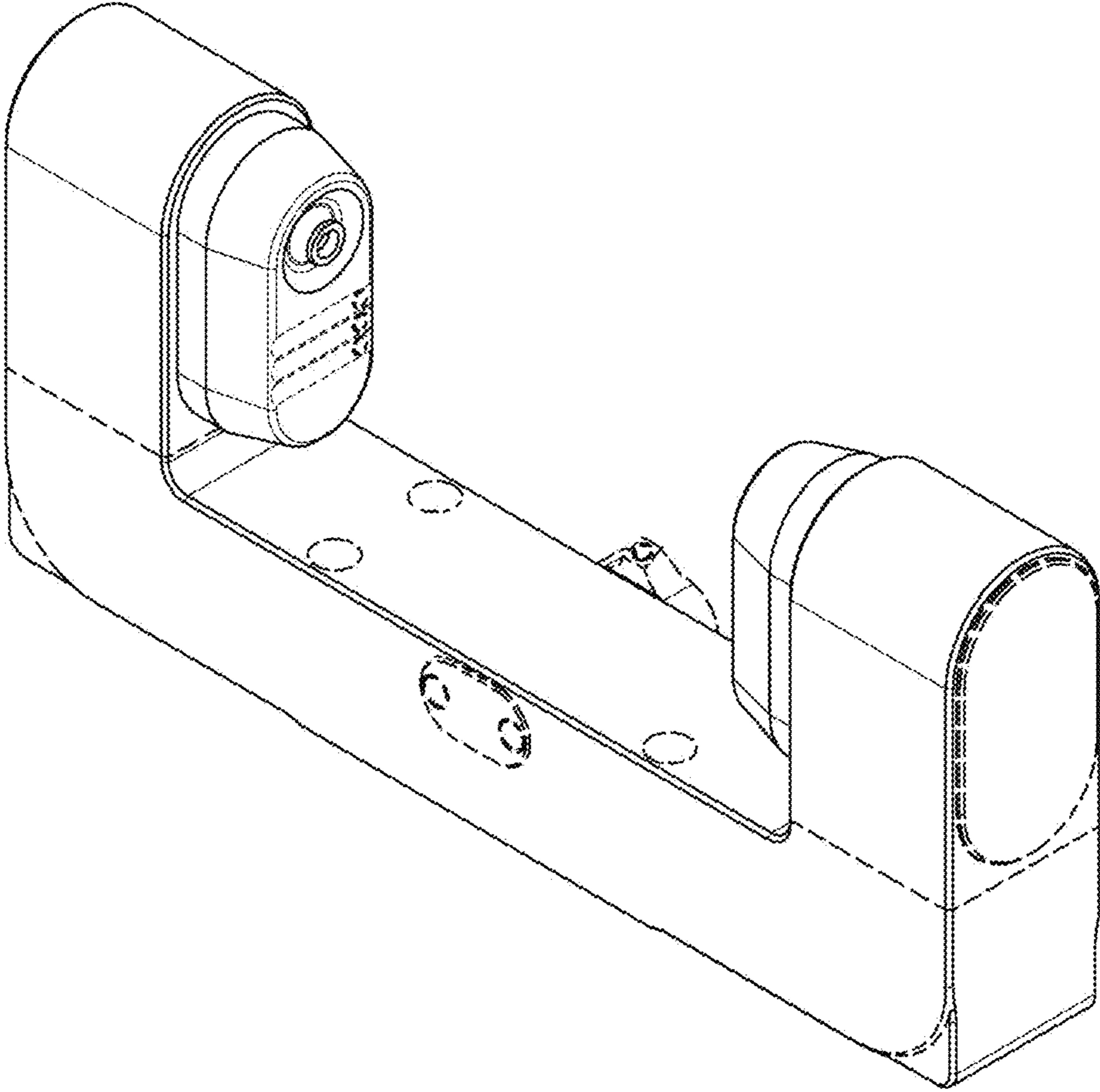


FIG 8

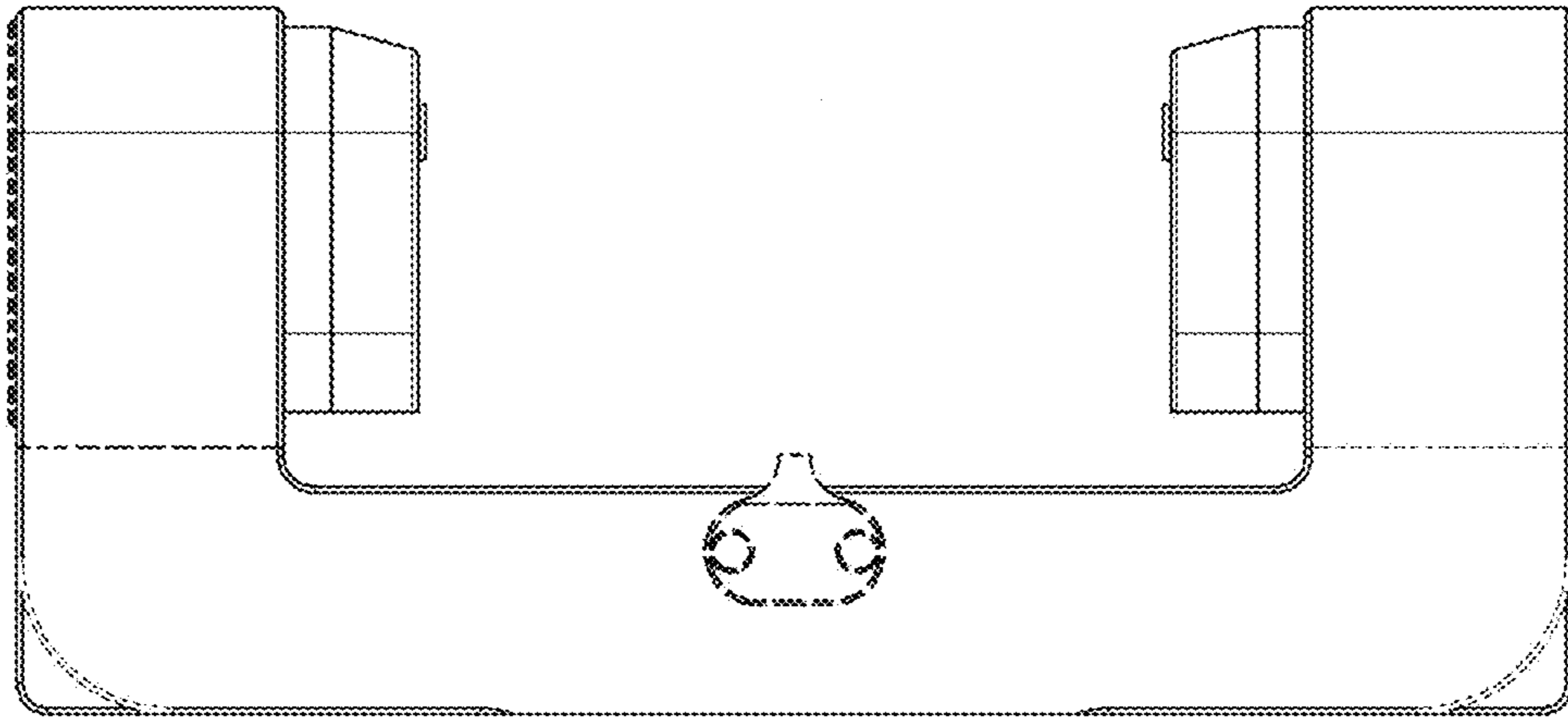


FIG 9

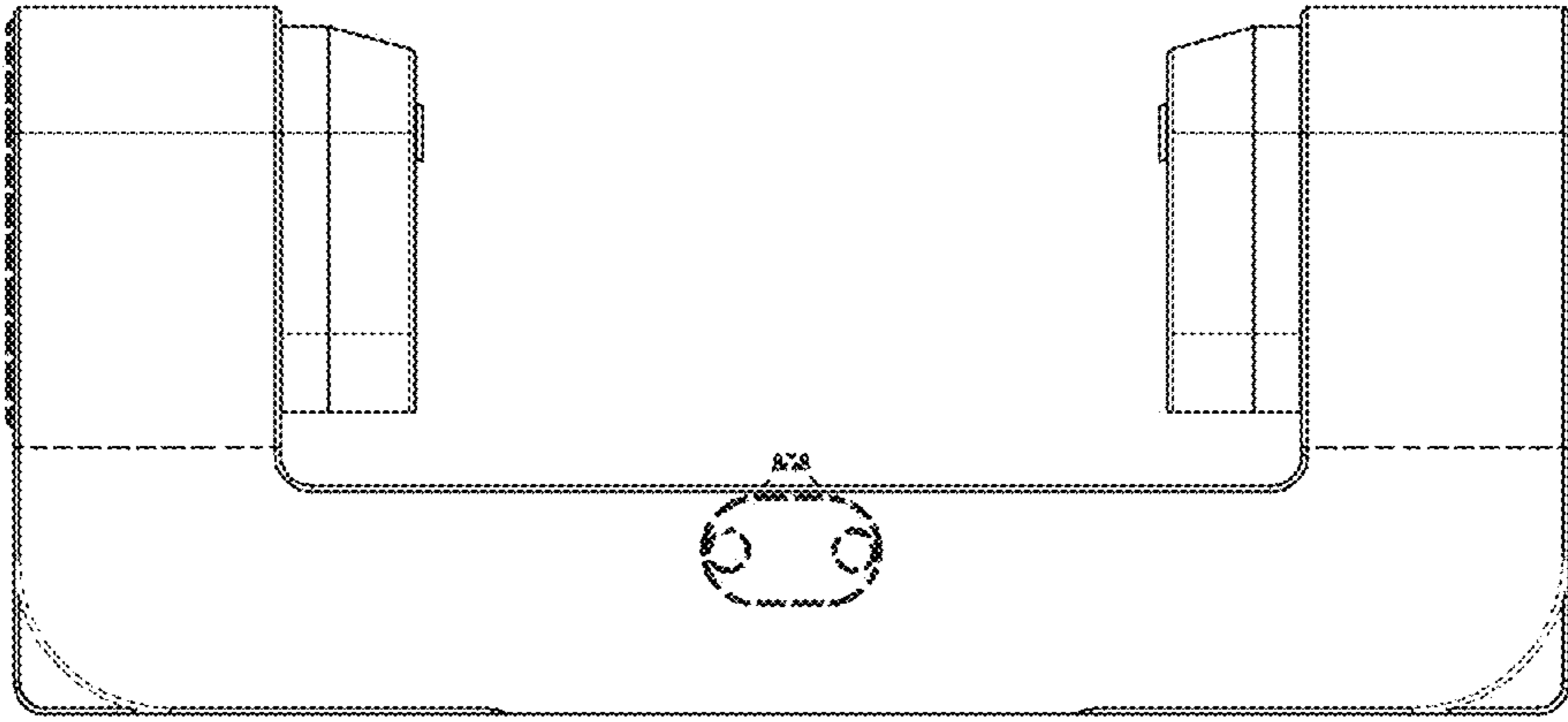


FIG 10

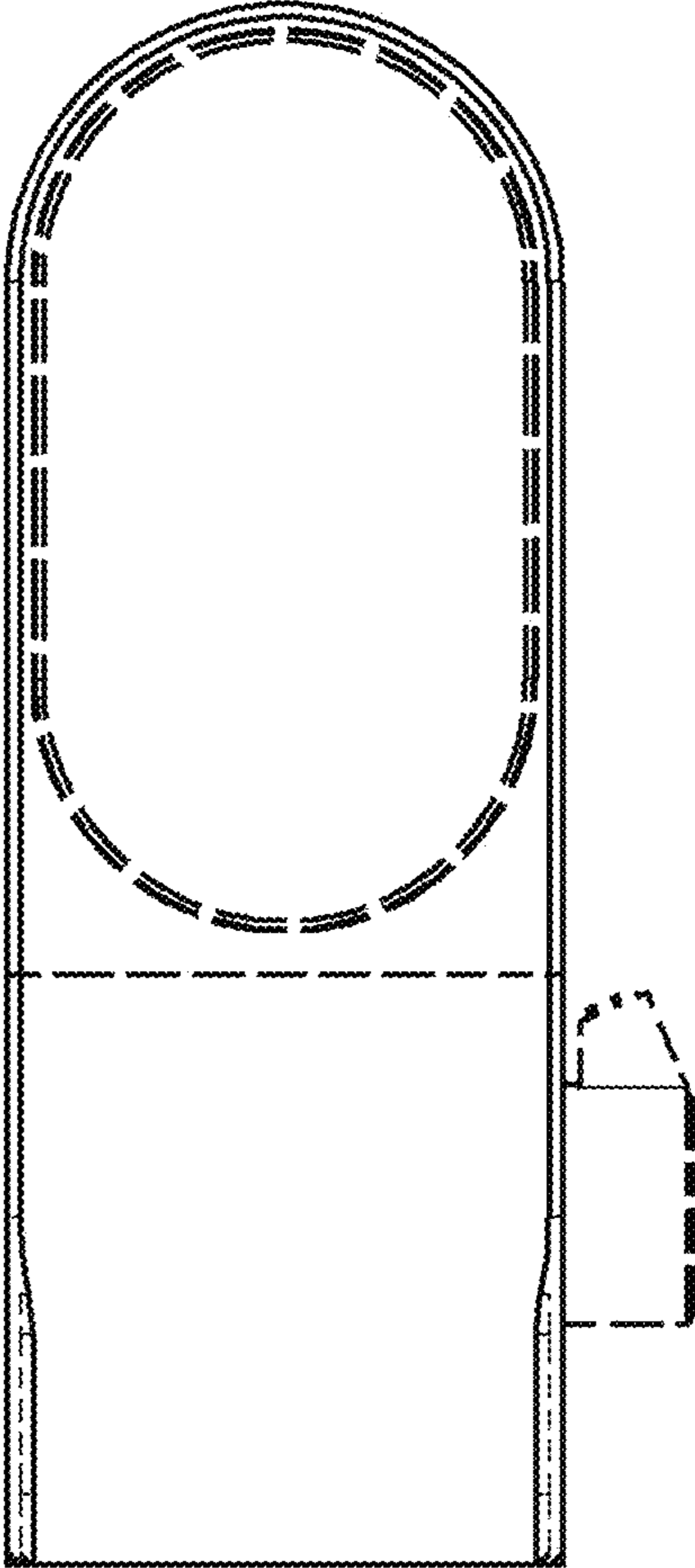


FIG 11

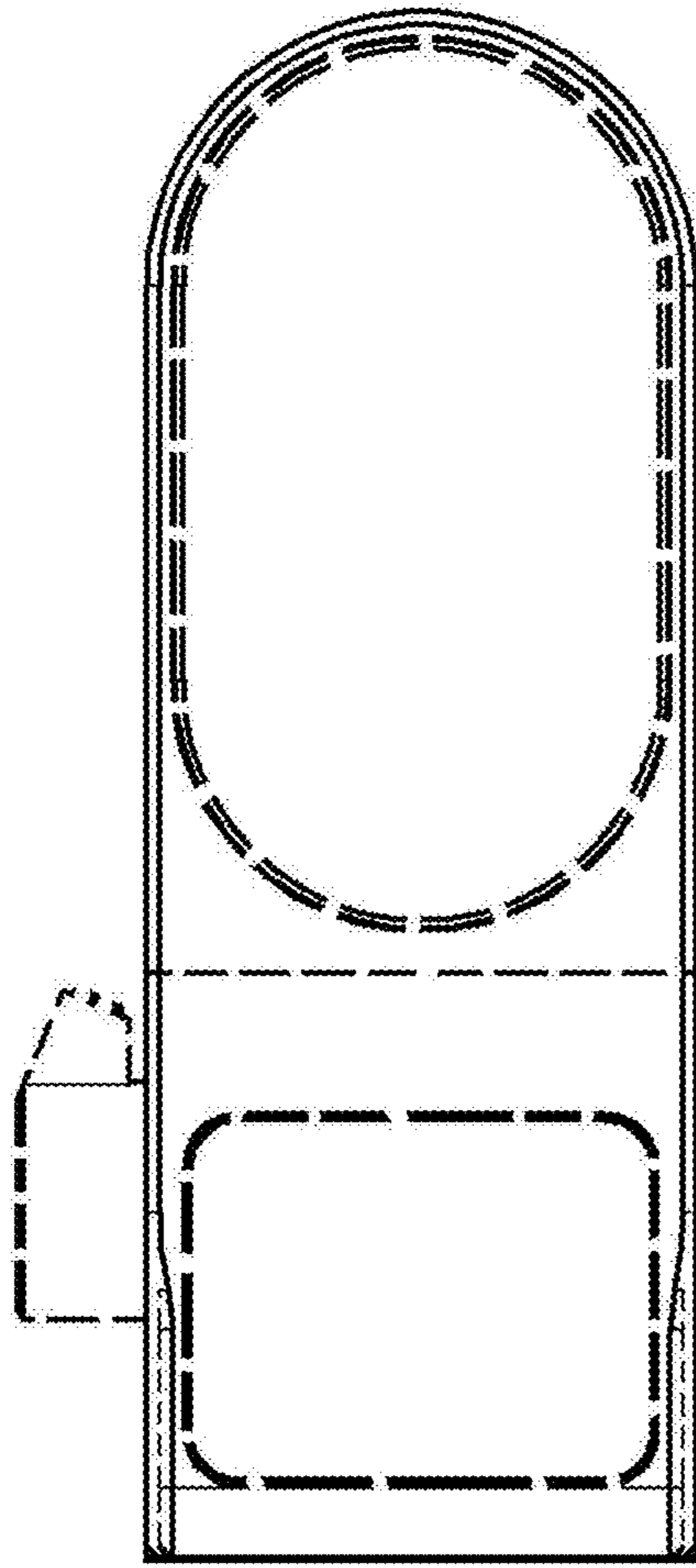


FIG 12

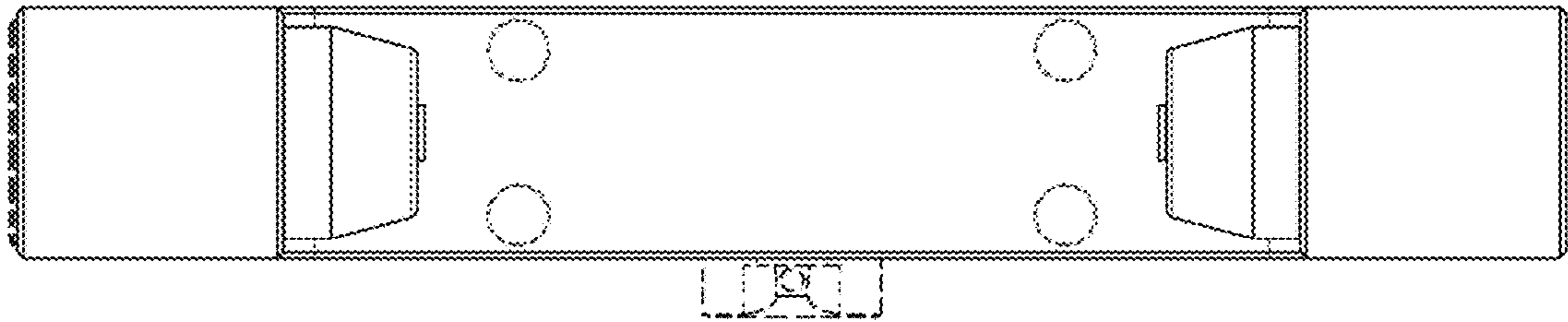


FIG 13

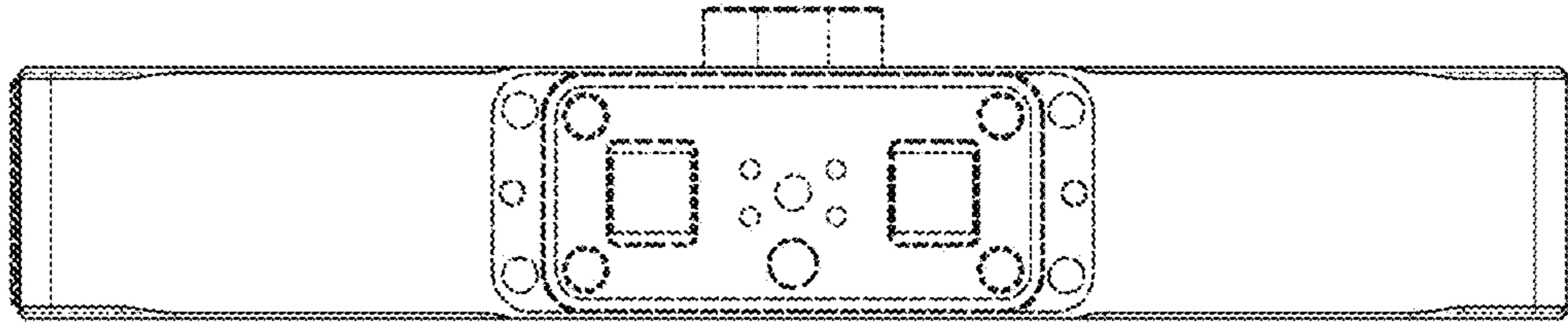


FIG 14

UNITED STATES PATENT AND TRADEMARK OFFICE  
**CERTIFICATE OF CORRECTION**

PATENT NO. : D869,299 S  
APPLICATION NO. : 29/636229  
DATED : December 10, 2019  
INVENTOR(S) : Norbert Mörsch

Page 1 of 1

It is certified that error appears in the above-identified patent and that said Letters Patent is hereby corrected as shown below:

On the Title Page

Insert Item (30): Foreign Application Priority Data: --EM 004691996 filed on Feb. 2, 2018--

Signed and Sealed this  
Twenty-eighth Day of September, 2021



Drew Hirshfeld  
*Performing the Functions and Duties of the  
Under Secretary of Commerce for Intellectual Property and  
Director of the United States Patent and Trademark Office*