



US00D869296S

(12) **United States Design Patent** (10) **Patent No.:** **US D869,296 S**  
**Fukui** (45) **Date of Patent:** **\*\* Dec. 10, 2019**

(54) **MEASURING SPOON**

(71) Applicant: **RYUKAKUSAN CO., LTD.**, Tokyo (JP)

(72) Inventor: **Atsuko Fukui**, Tokyo (JP)

(73) Assignee: **RYUKAKUSAN CO., LTD.**, Tokyo (JP)

(\*\*) Term: **15 Years**

(21) Appl. No.: **29/659,199**

(22) Filed: **Aug. 7, 2018**

D442,028 S *	5/2001	Chien .....	D7/401.2
D489,584 S	5/2004	Cohen et al.	
D495,216 S	8/2004	Overthun et al.	
D523,359 S	6/2006	DiPietro et al.	
D546,210 S *	7/2007	Bodum .....	D10/46.2
D551,522 S	9/2007	Taylor	
D575,004 S *	8/2008	Jansheski .....	D28/65
D608,602 S	1/2010	Davies et al.	
D634,591 S	3/2011	Coppo	
D711,187 S *	8/2014	Lu .....	D7/395
D750,837 S	3/2016	Gast et al.	
9,468,321 B2 *	10/2016	Miksovsky .....	A47G 21/06
D789,161 S	6/2017	Gettig	
D812,438 S *	3/2018	Jauer .....	D7/693
D816,459 S *	5/2018	Morehouse .....	D8/107
2008/0282798 A1 *	11/2008	Law .....	A61J 7/0023 73/429

\* cited by examiner

**Related U.S. Application Data**

(62) Division of application No. 29/595,035, filed on Feb. 24, 2017, now Pat. No. Des. 843,856.

(51) **LOC (12) Cl.** ..... **10-04**

(52) **U.S. Cl.**  
USPC ..... **D10/46.2**

(58) **Field of Classification Search**  
USPC ..... D8/107, 308; D7/393, 401.2, 653, 395,  
D7/642, 664, 649, 643, 688-692, 695;  
D9/455; D10/46.2, 46.3; D4/138;  
D28/48  
CPC ..... A47G 21/00; A47G 21/02; A47G 21/023;  
A47G 21/04; A47J 43/28; A47J 43/281;  
A47J 43/288; A47J 43/1087; G01F  
19/00-19/007  
See application file for complete search history.

(56) **References Cited**

**U.S. PATENT DOCUMENTS**

D172,482 S	6/1954	Smith
D213,719 S	4/1969	Gerlich
D282,708 S	2/1986	Schaeffer
D321,303 S	11/1991	Augustino et al.
D438,070 S	2/2001	Kwok

*Primary Examiner* — Brett Miller

(74) *Attorney, Agent, or Firm* — Oliff PLC

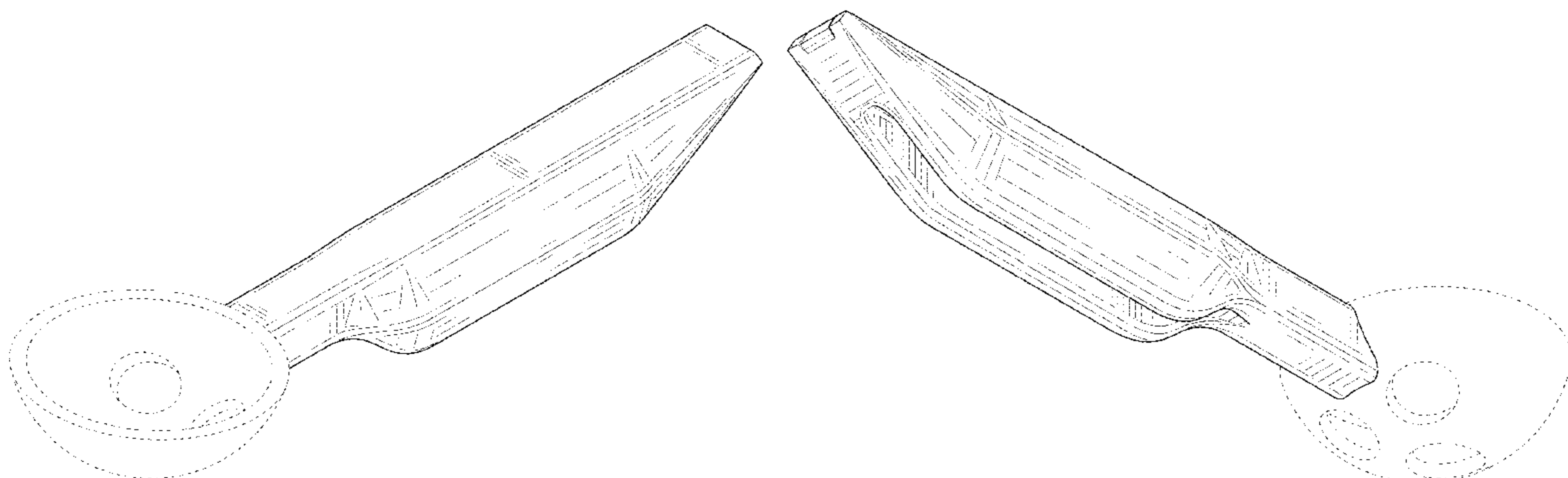
(57) **CLAIM**

The ornamental design for a measuring spoon, as shown and described.

**DESCRIPTION**

FIG. 1 is a left, front, top perspective view of a measuring spoon;  
FIG. 2 is a front view thereof, symmetrical with a rear view thereof;  
FIG. 3 is a top view thereof;  
FIG. 4 is a right-side view thereof;  
FIG. 5 is a left-side view thereof;  
FIG. 6 is a bottom view thereof;  
FIG. 7 is a cross-sectional view taken along 7-7 in FIG. 3; and,  
FIG. 8 is right, rear, bottom perspective view of the measuring spoon.  
The broken lines depict subject matter that forms no part of the claimed design.

**1 Claim, 4 Drawing Sheets**



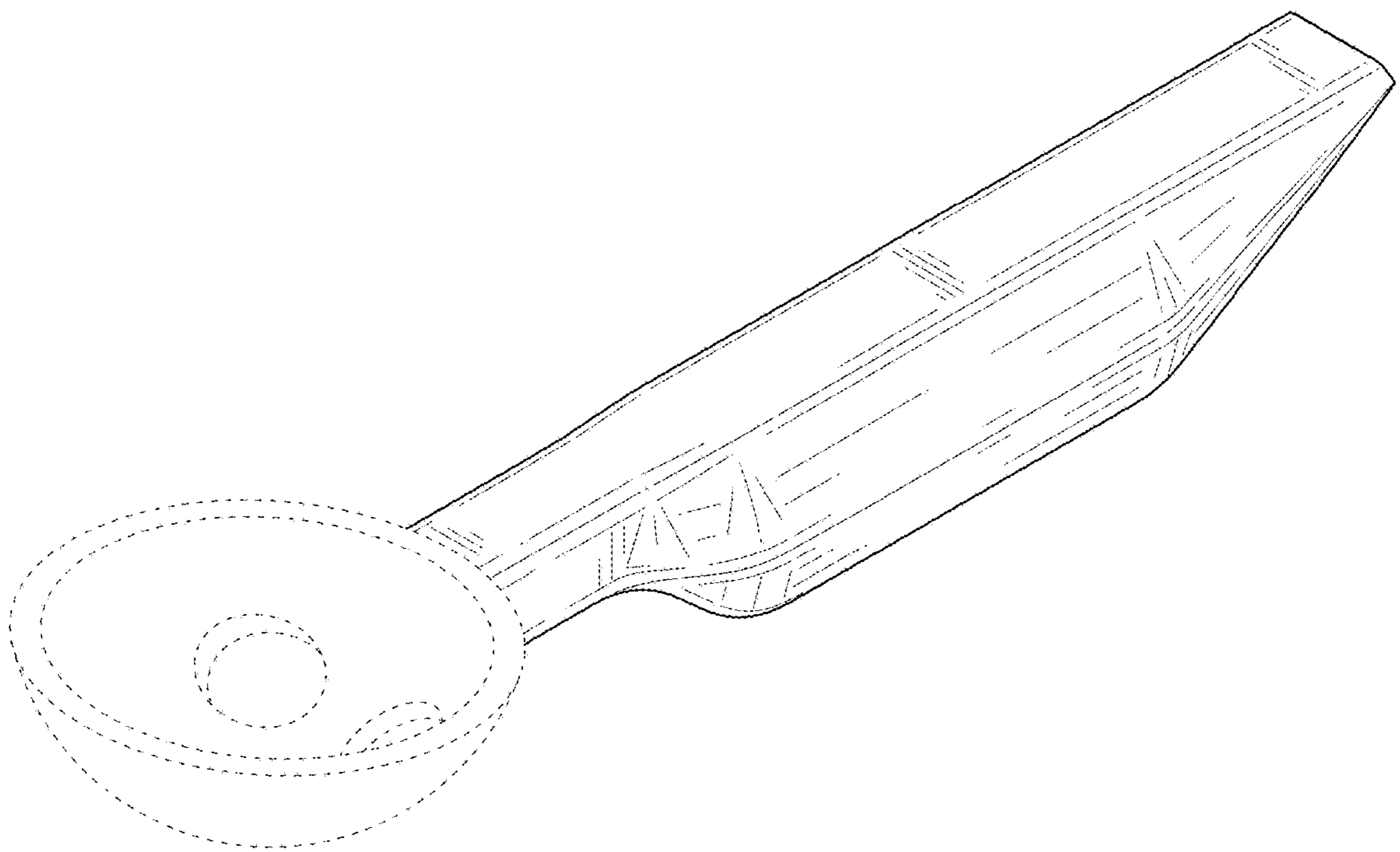


FIG. 1

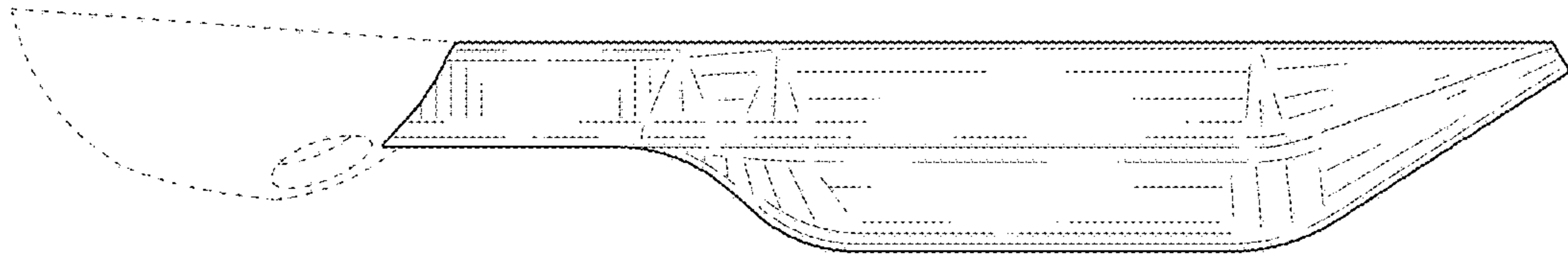


FIG. 2

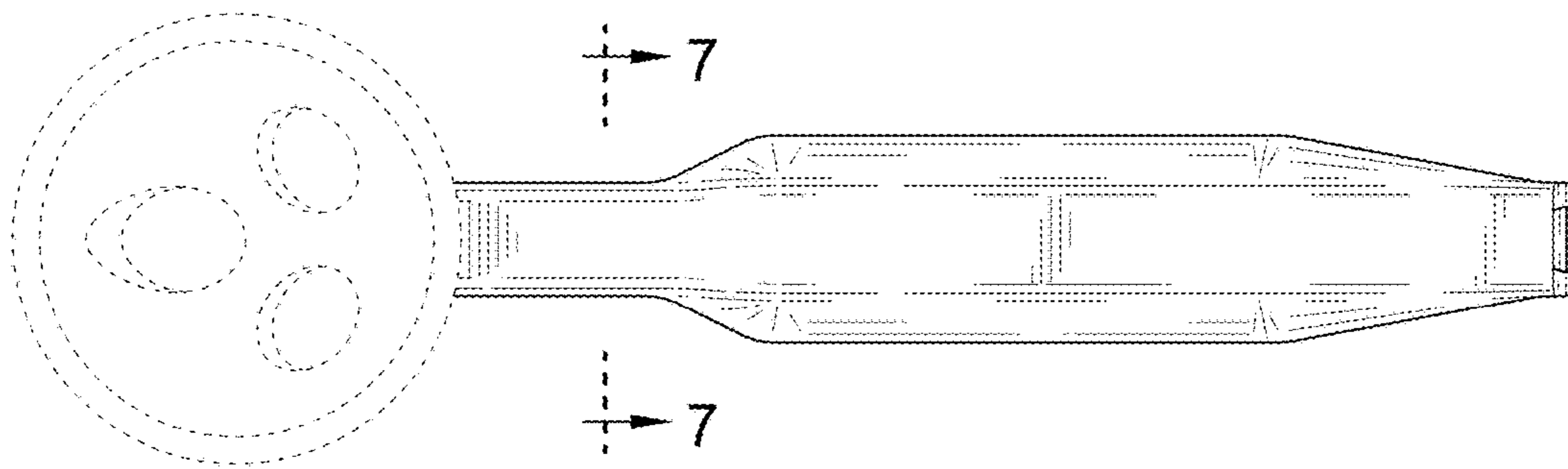


FIG. 3

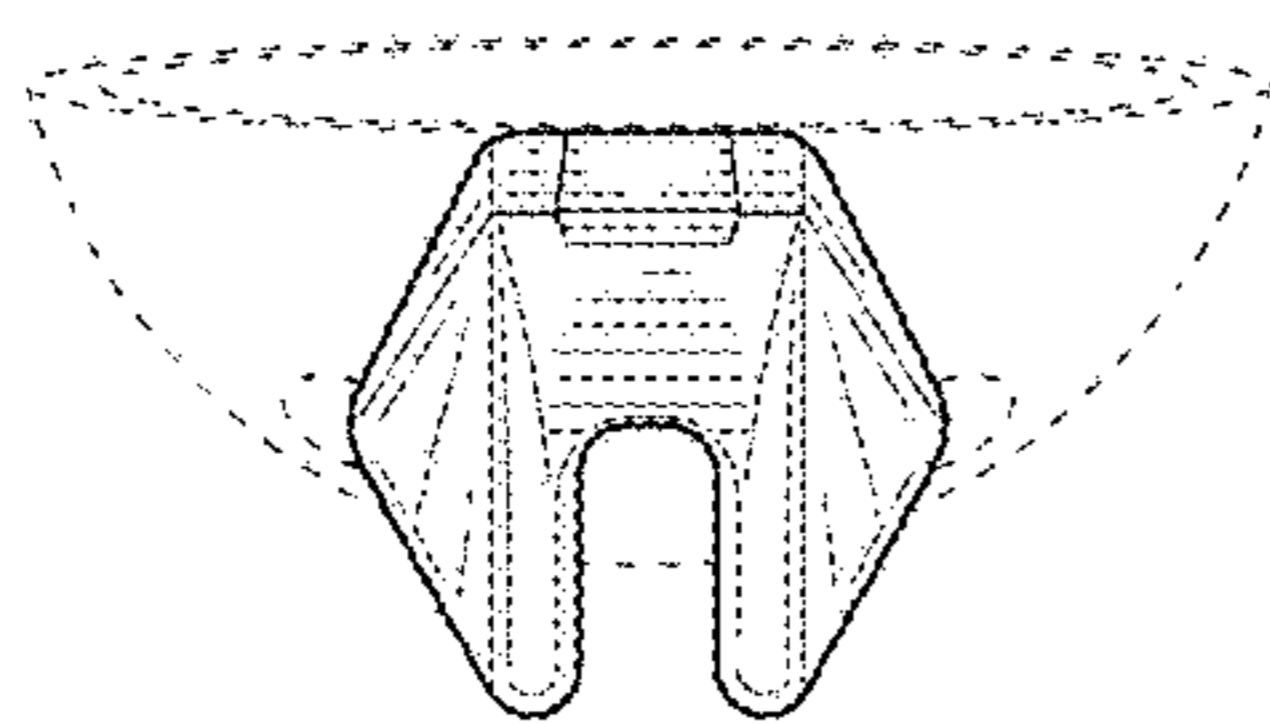


FIG. 4

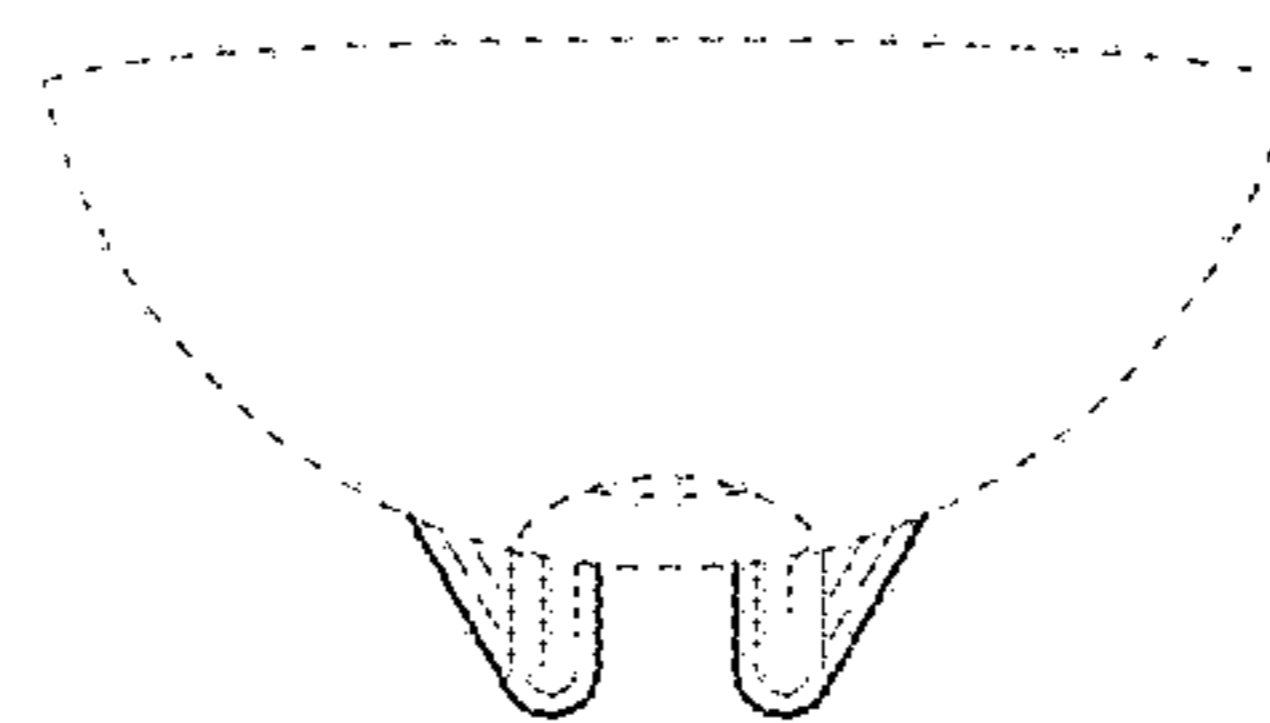


FIG. 5

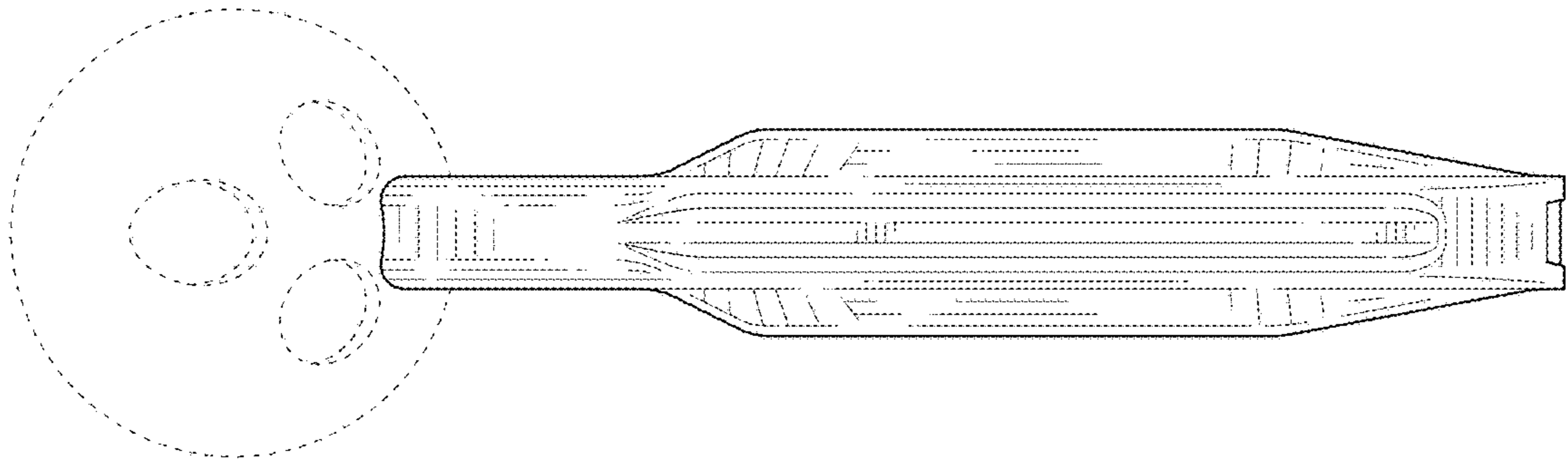


FIG. 6

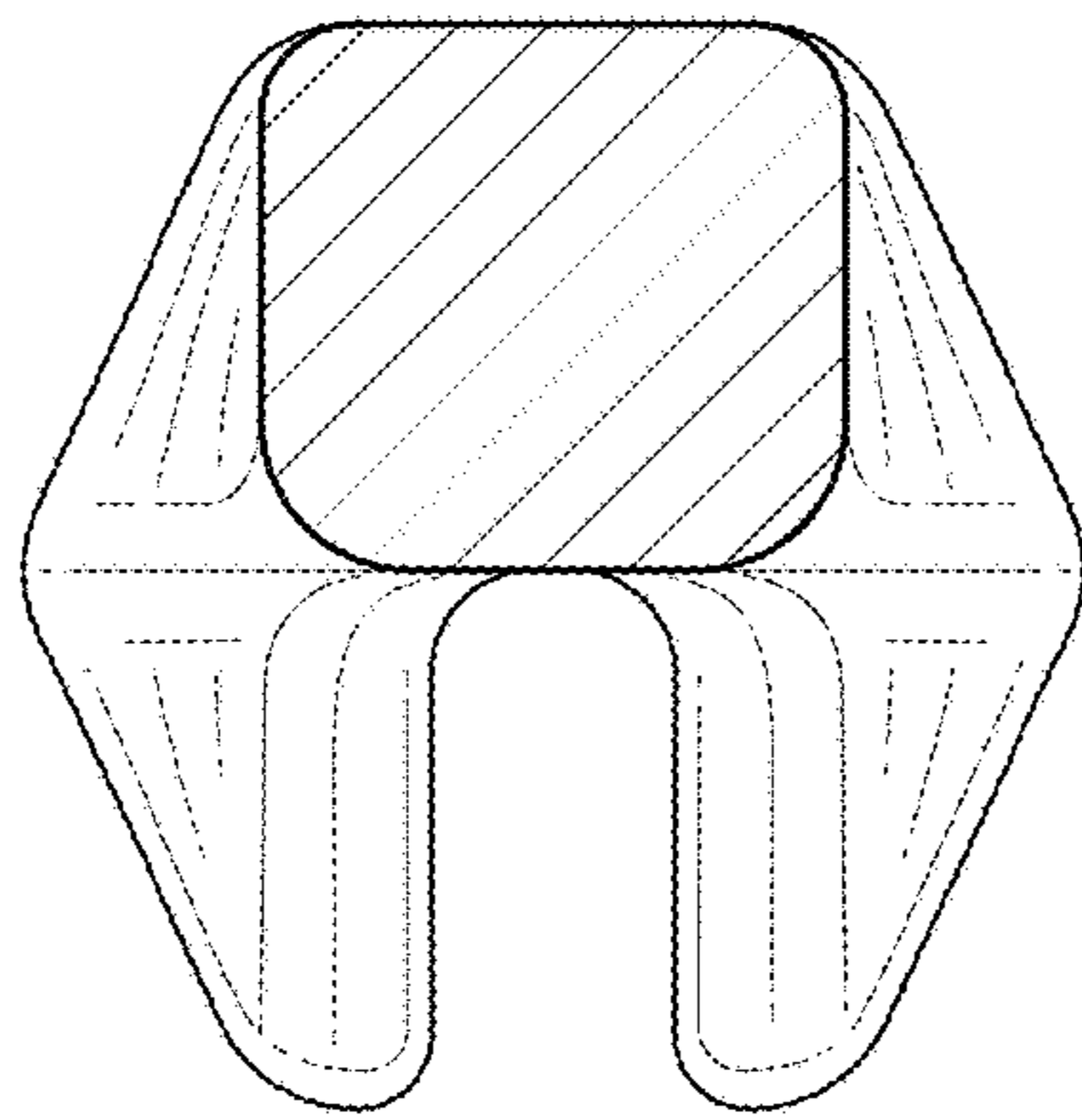


FIG. 7

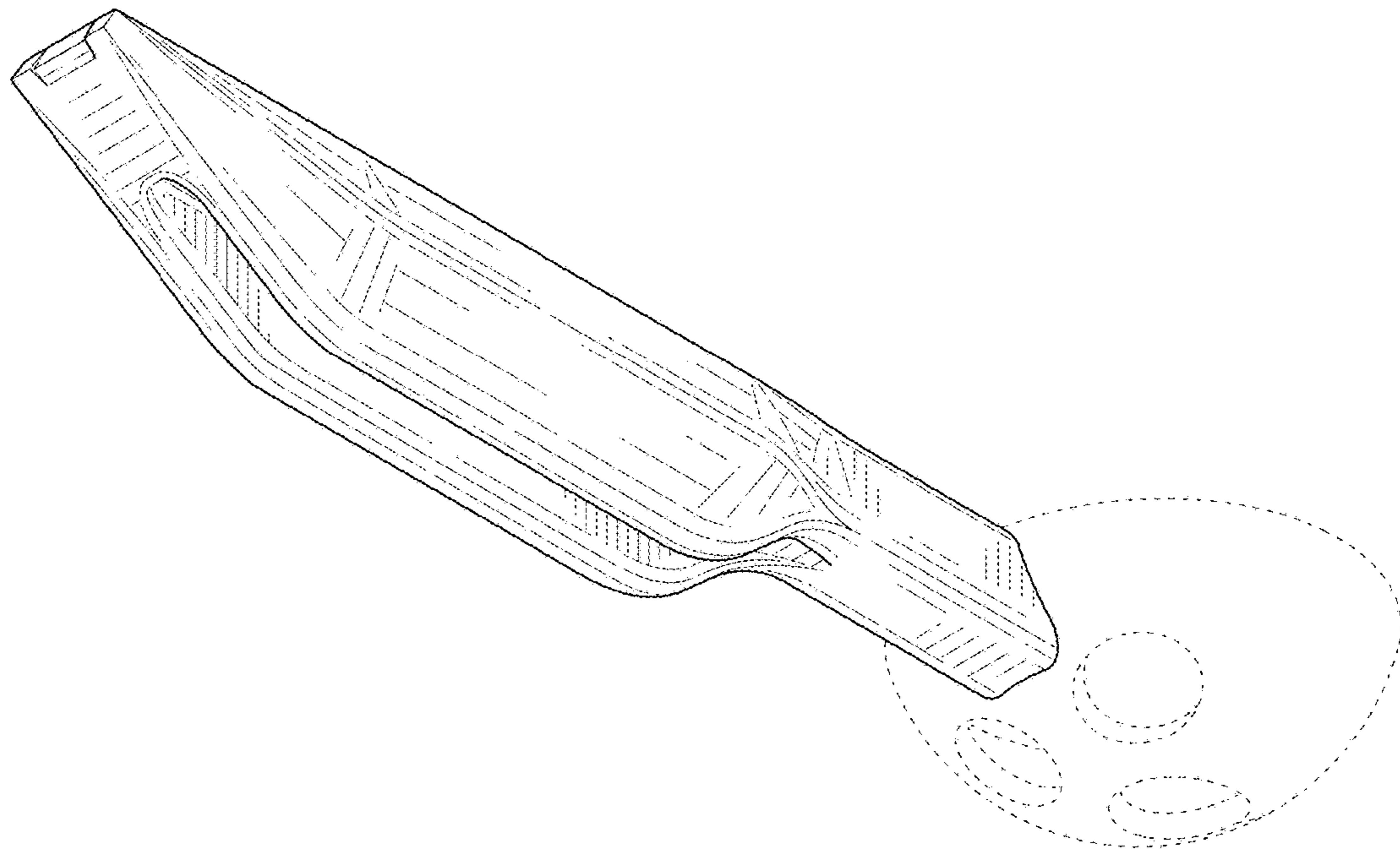


FIG. 8