

US00D869292S

(12) **United States Design Patent** (10) **Patent No.:** **US D869,292 S**
Mille (45) **Date of Patent:** **** Dec. 10, 2019**

(54) **WATCH**

- (71) Applicant: **Turlen Holding SA**, Les Breuleux (CH)
- (72) Inventor: **Richard Mille**, Moulins (FR)
- (73) Assignee: **TURLEN HOLDING SA**, Les Breuleux (CH)
- (**) Term: **15 Years**
- (21) Appl. No.: **29/634,741**
- (22) Filed: **Jan. 24, 2018**
- (30) **Foreign Application Priority Data**

Aug. 24, 2017 (WO) DM/097473

(51) **LOC (12) Cl.** **10-02**

(52) **U.S. Cl.**
USPC **D10/30; D10/68**

(58) **Field of Classification Search**

USPC D10/30-39, 52-75, 98; D14/344

CPC G04B 3/046; G04B 3/048; G04B 19/00;

G04B 19/06; G04B 19/065; G04B 19/08;

G04B 19/082; G04B 19/085; G04B

19/087; G04B 19/10; G04B 19/103;

G04B 19/106; G04B 19/12; G04B 19/18;

G04B 19/22; G04B 19/24; G04B 19/241;

G04B 19/243; G04B 19/226; G04B

19/30; G04B 37/00; G04B 37/08; G04B

37/16; G04B 37/0058; G04B 45/0069;

G04B 45/0076; G04B 47/04; G04B

47/06; G04B 47/063

See application file for complete search history.

(56) **References Cited**

U.S. PATENT DOCUMENTS

D377,612 S * 1/1997 Lee D10/2

D477,542 S * 7/2003 Chang D10/68

D535,198 S * 1/2007 Maeder D10/32

D646,588 S * 10/2011 Lalo D10/38

(Continued)

OTHER PUBLICATIONS

Richard Mille RM 25-01 | posted at Hodinkee.com Aug. 2018 [online]. © 2009-2019 Hodinkee Inc [retrieved Sep. 9, 2019] from Internet: <<https://www.hodinkee.com/articles/richard-mille-rm-25-01-tourbillonadventure-sylvester-stallone-introducing>> (Year: 2018).*

Primary Examiner — Sandra S Snapp

Assistant Examiner — Katherine Glennon

(74) *Attorney, Agent, or Firm* — Donald J. Ranft; Collen

(57) **CLAIM**

The ornamental design for a watch, as shown and described.

DESCRIPTION

FIG. 1 is a front right perspective view of a watch with the case open showing my new design;

FIG. 2 is a bottom left perspective view thereof;

FIG. 3 is a front view thereof;

FIG. 4 is a rear view thereof;

FIG. 5 is a left side view thereof;

FIG. 6 is a right side view thereof;

FIG. 7 is a top view thereof;

FIG. 8 is a bottom view thereof;

FIG. 9 is a front left perspective view thereof;

FIG. 10 is a rear right perspective view thereof;

FIG. 11 is a front right perspective view thereof with the case closed;

FIG. 12 is a bottom left perspective view thereof;

FIG. 13 is a front view thereof;

FIG. 14 is a rear view thereof;

FIG. 15 is a left side view thereof;

FIG. 16 is a right side view thereof;

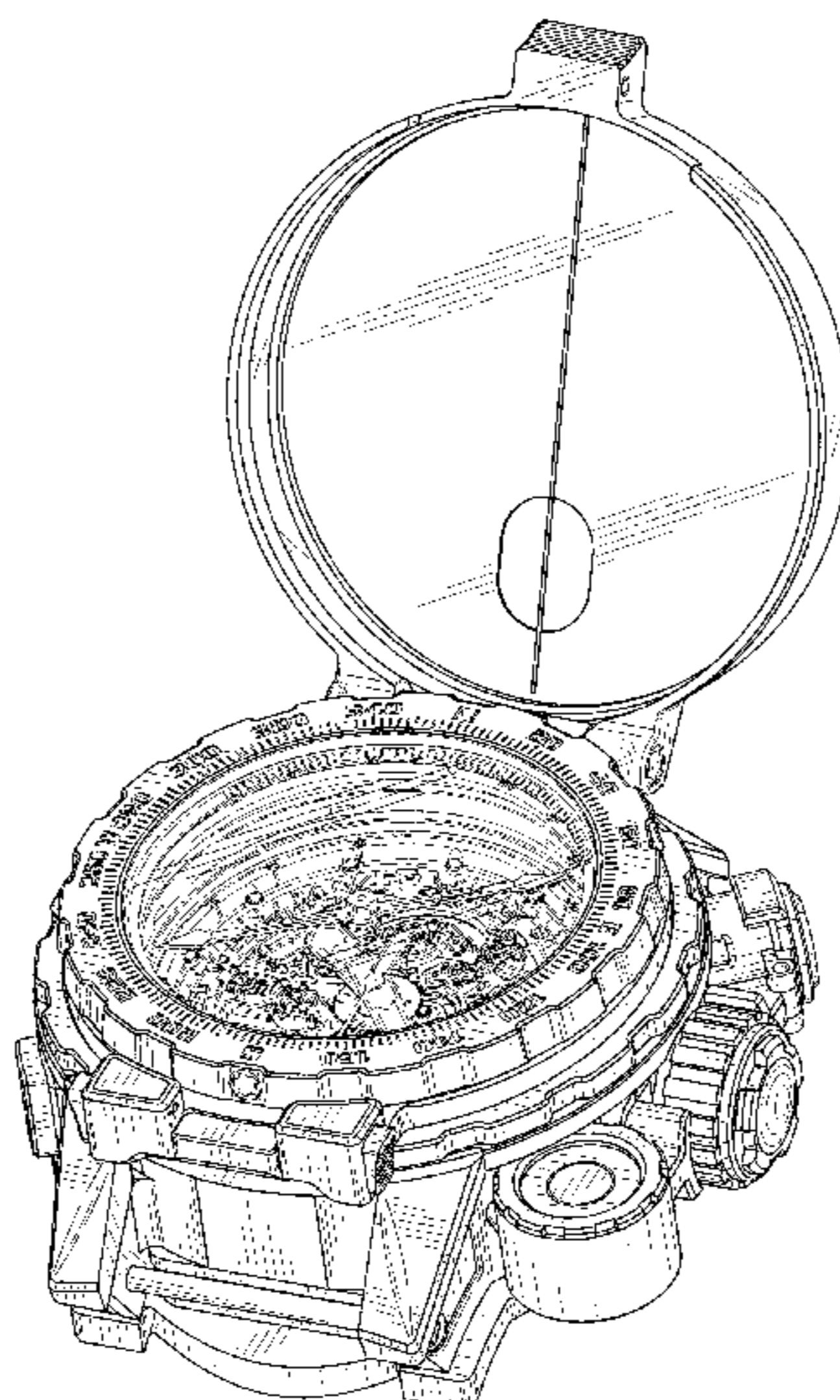
FIG. 17 is a top view thereof;

FIG. 18 is a bottom view thereof;

FIG. 19 is a front left perspective view thereof; and,

FIG. 20 is a rear right perspective view thereof.

1 Claim, 20 Drawing Sheets



(56)

References Cited

U.S. PATENT DOCUMENTS

D648,639	S	*	11/2011	Mille	D10/39
D674,296	S	*	1/2013	Chang	D10/68
D691,902	S	*	10/2013	Mille	D10/39
D707,139	S	*	6/2014	Mille	D10/39
D707,573	S	*	6/2014	Mille	D10/39
D708,077	S	*	7/2014	Mille	D10/31
8,851,743	B1	*	10/2014	Lalo	G04B 3/043 368/315
D741,727	S	*	10/2015	Mille	D10/31
D746,162	S	*	12/2015	Roberts	D10/68
D756,245	S	*	5/2016	Mille	D10/126
D799,987	S	*	10/2017	Mille	D10/30
2006/0285442	A1	*	12/2006	Maeder	G04G 21/02 368/11

* cited by examiner

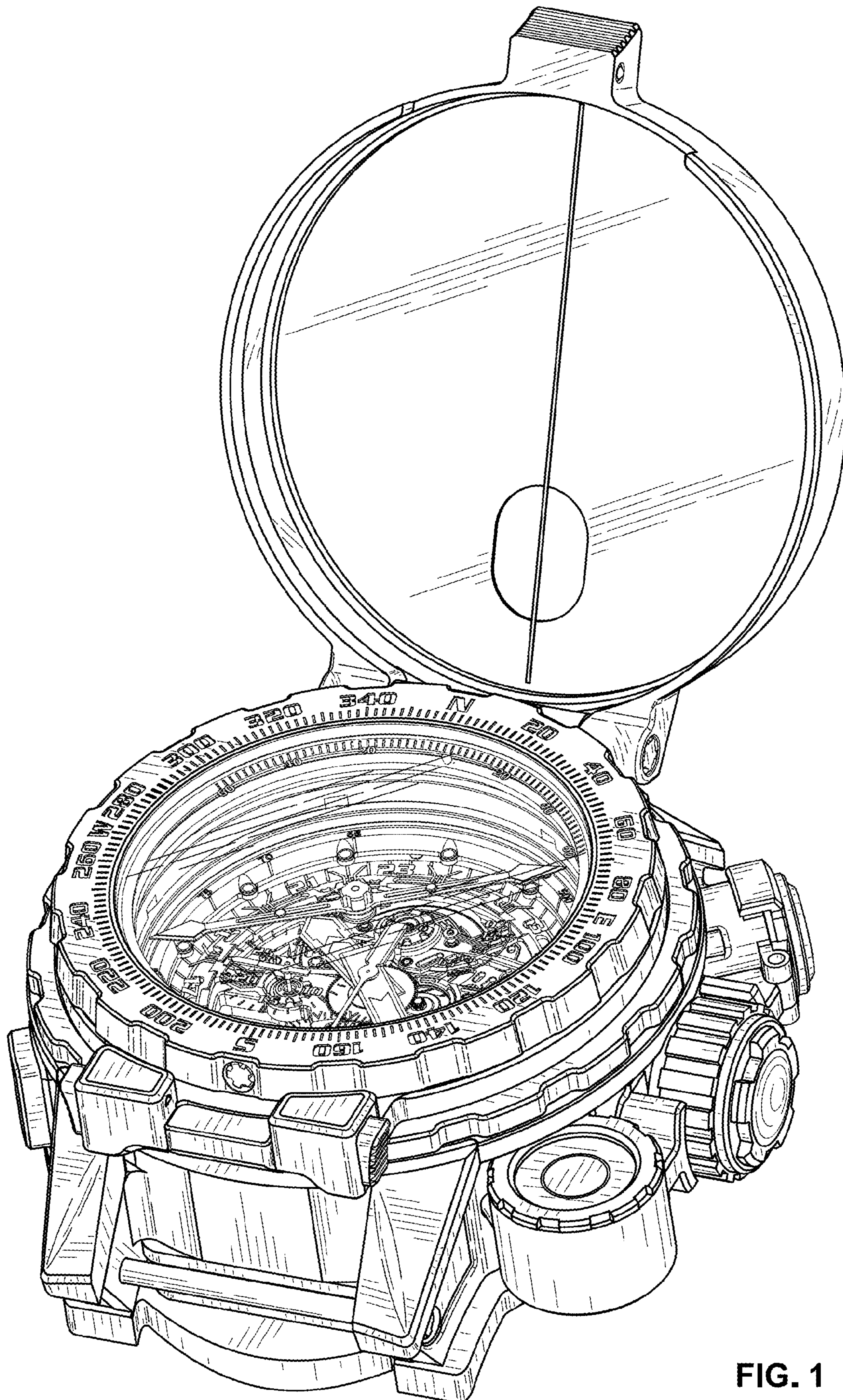


FIG. 1

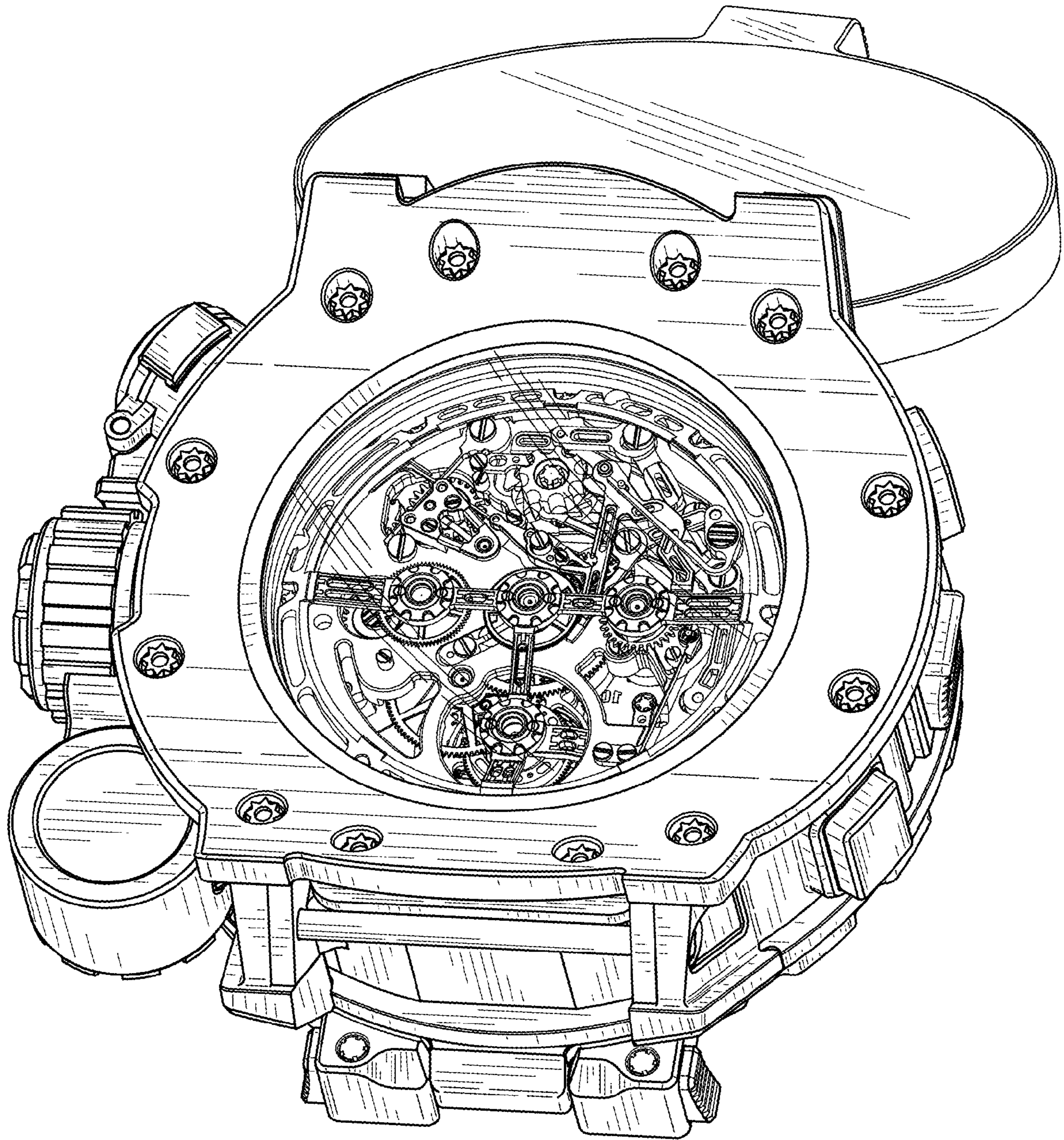


FIG. 2

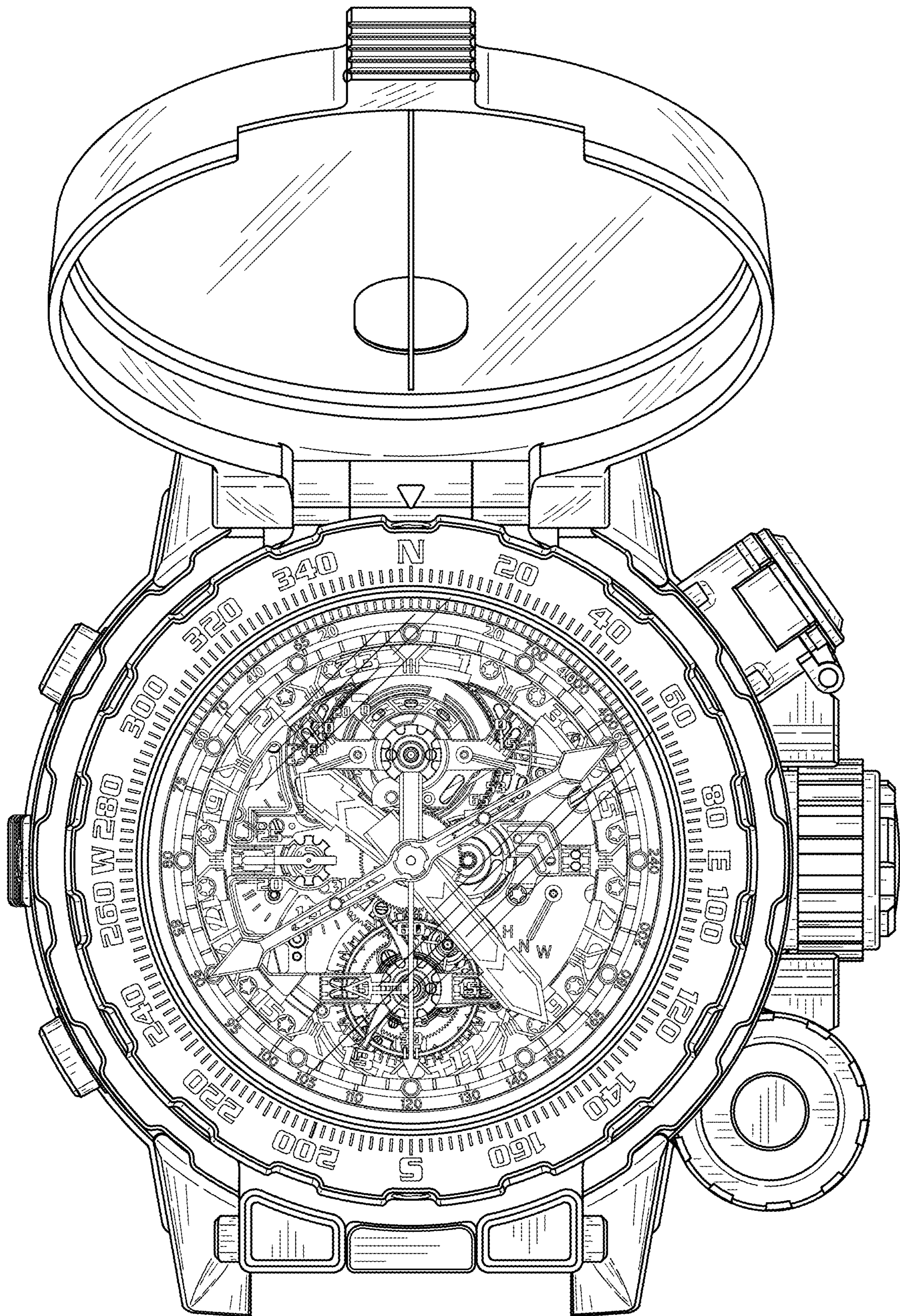


FIG. 3

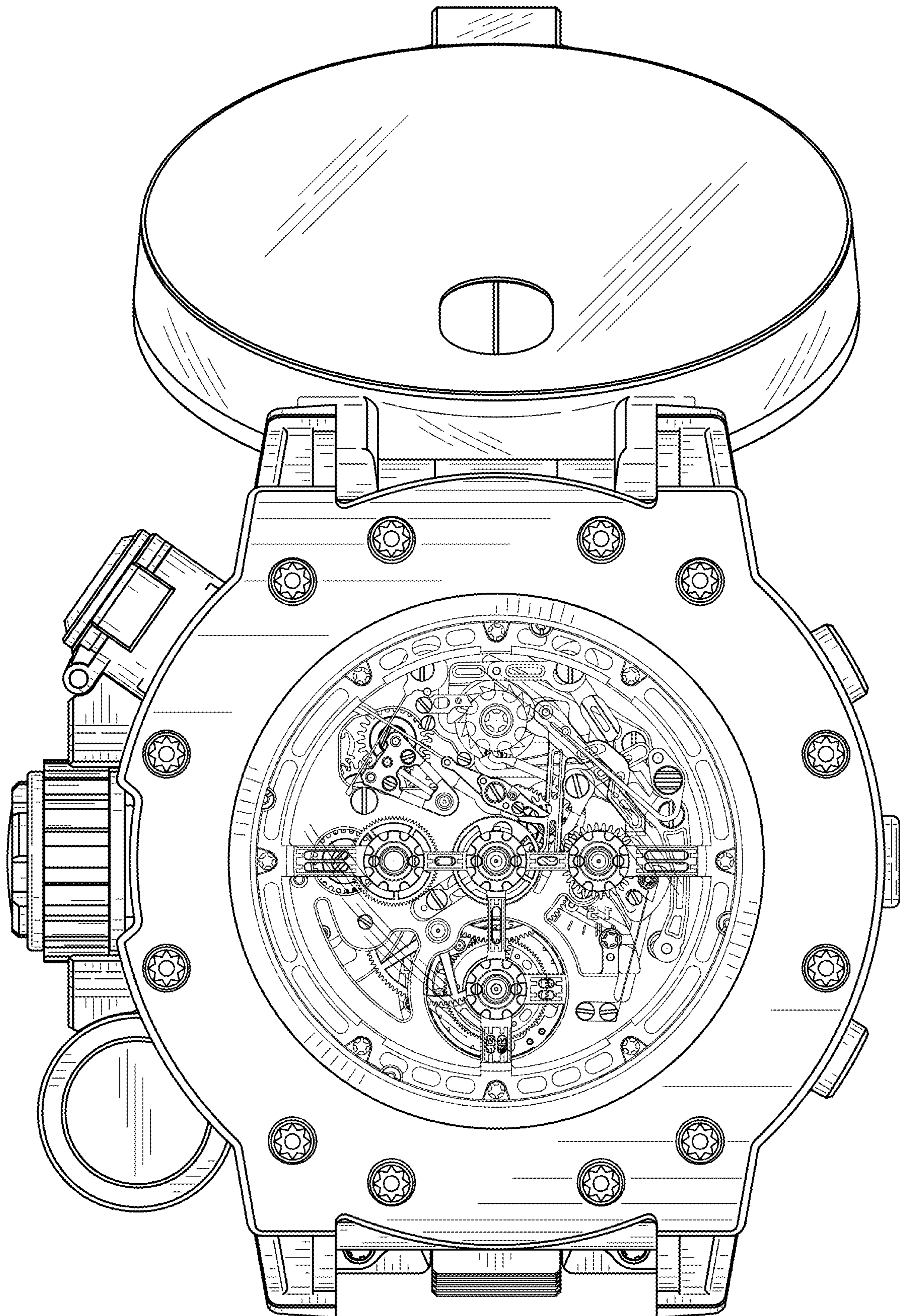


FIG. 4

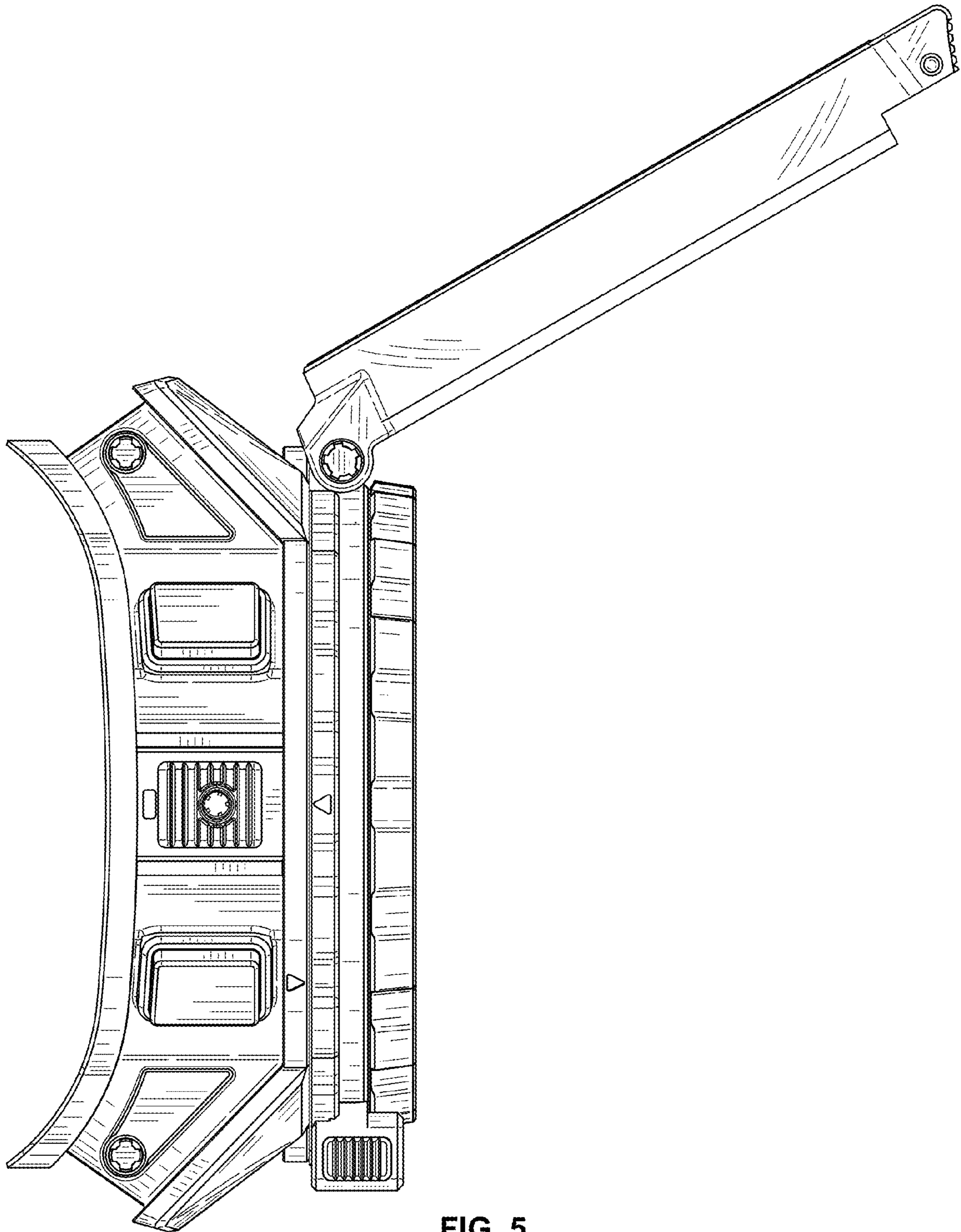


FIG. 5

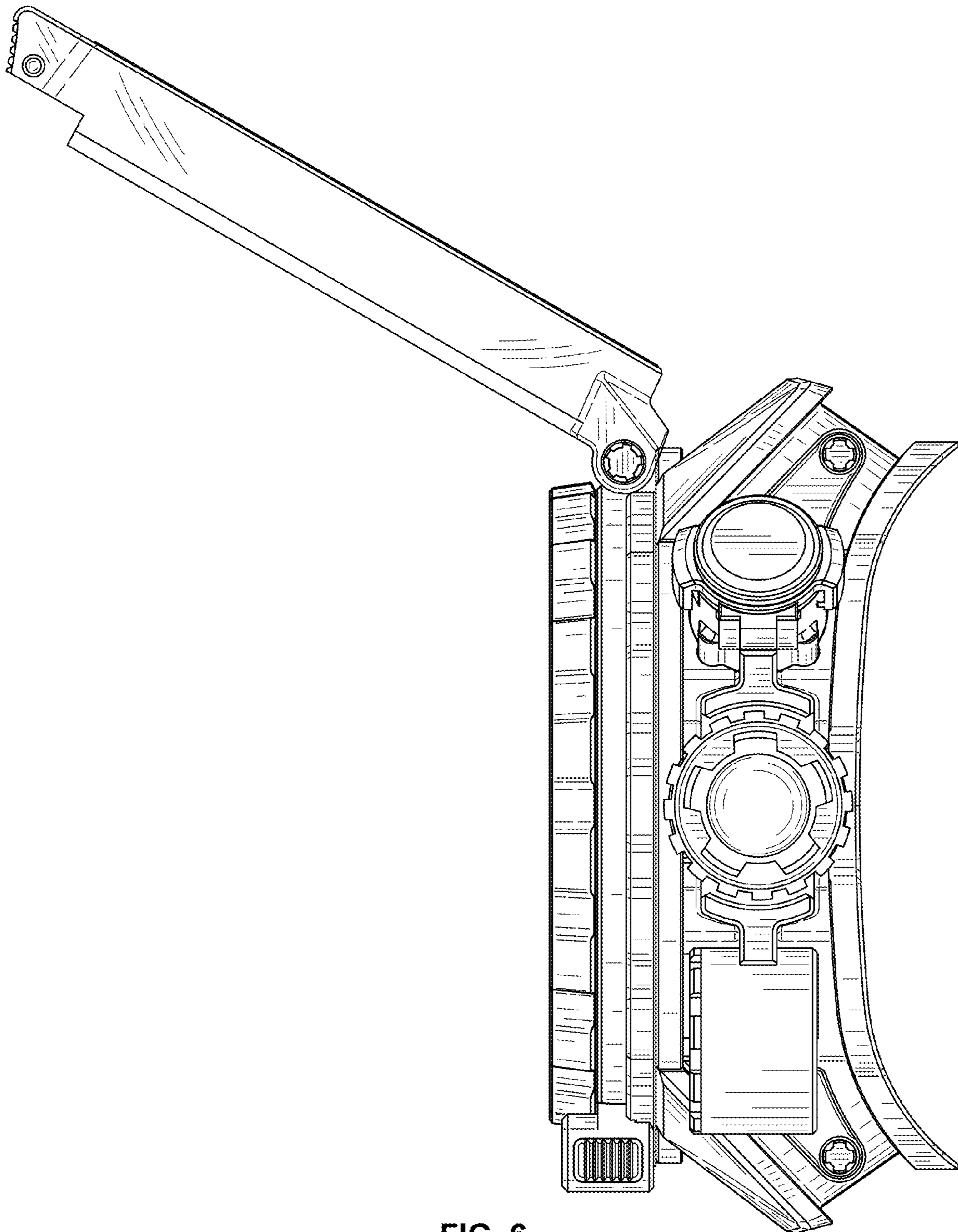


FIG. 6

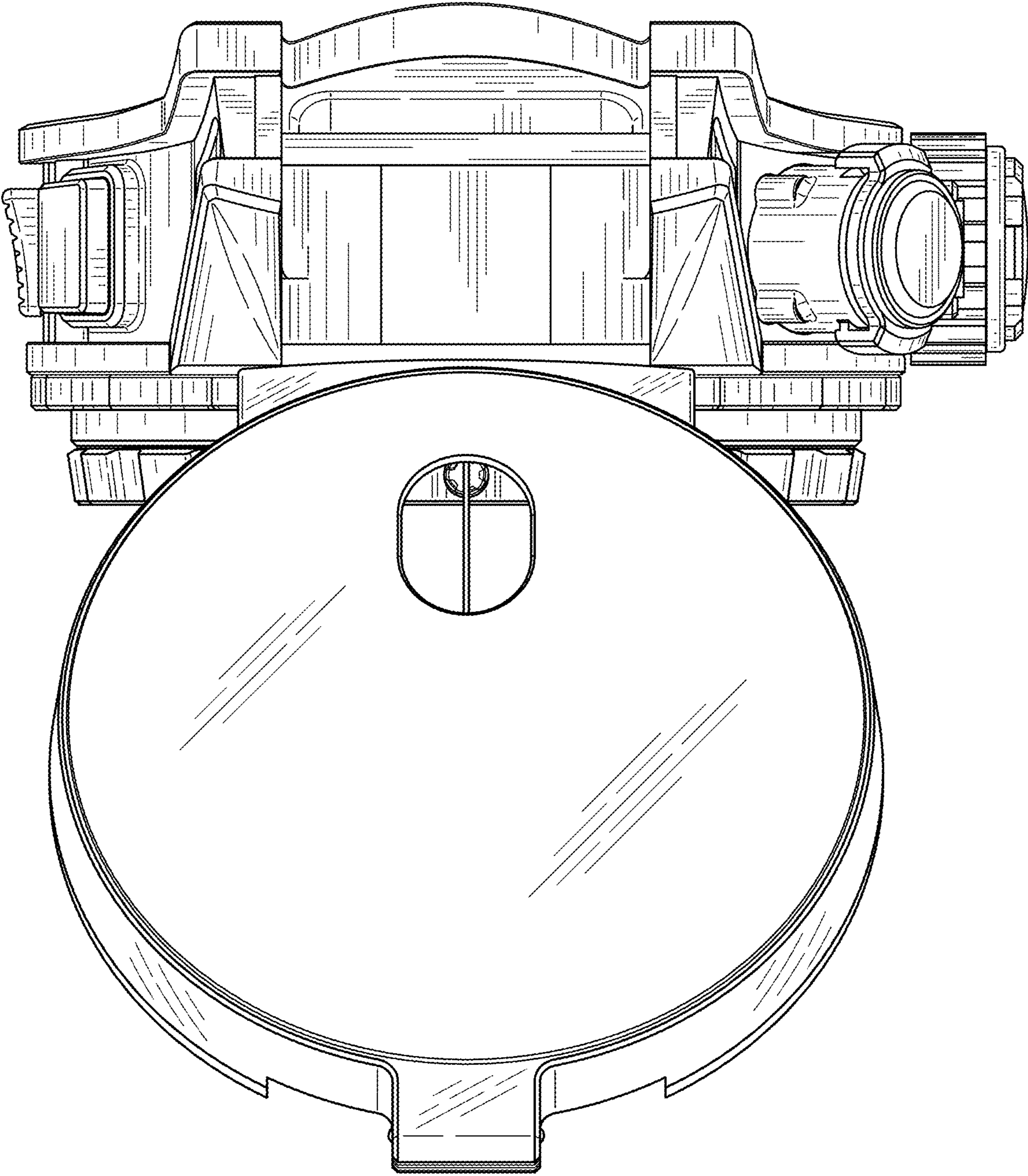


FIG. 7

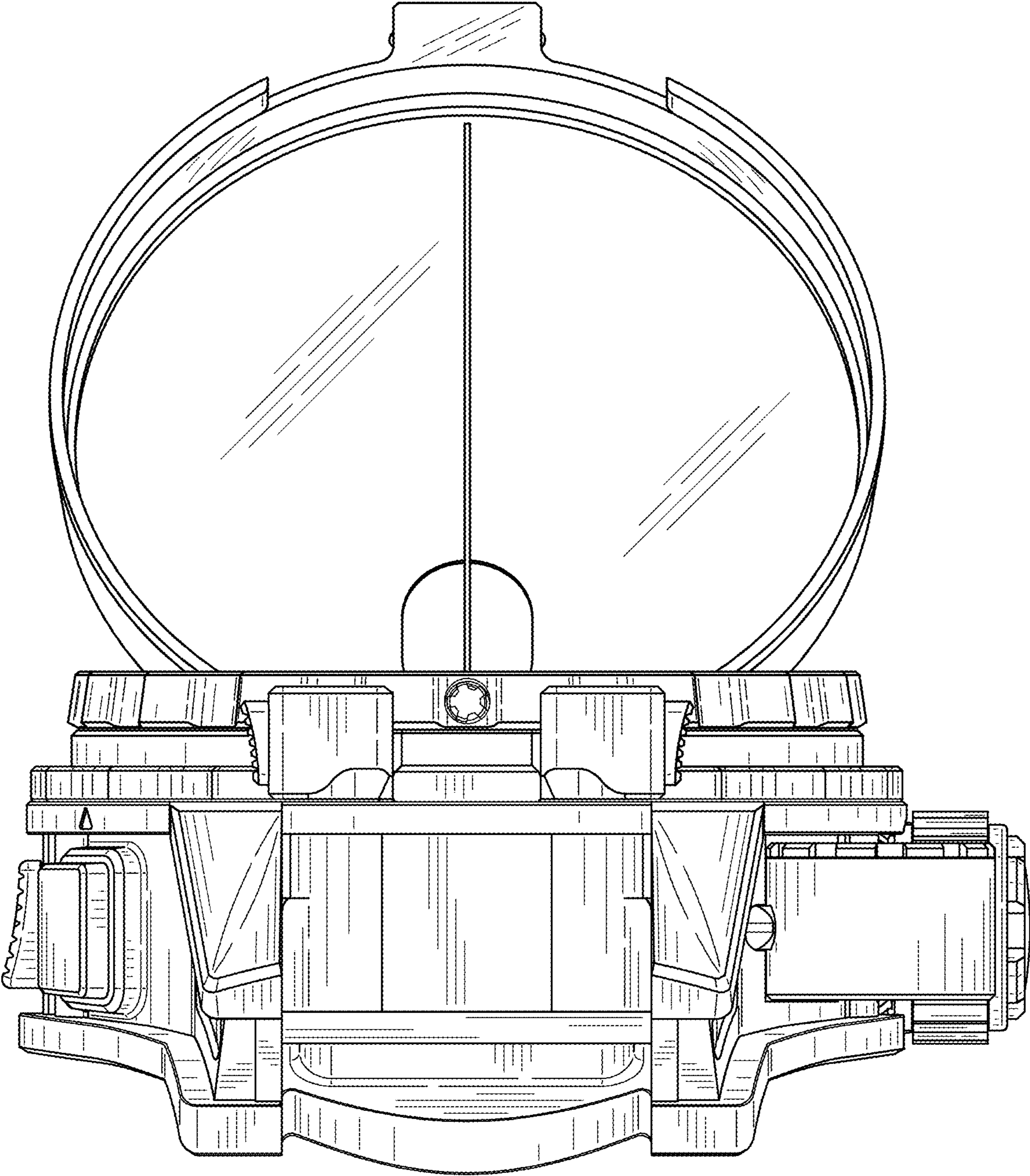


FIG. 8

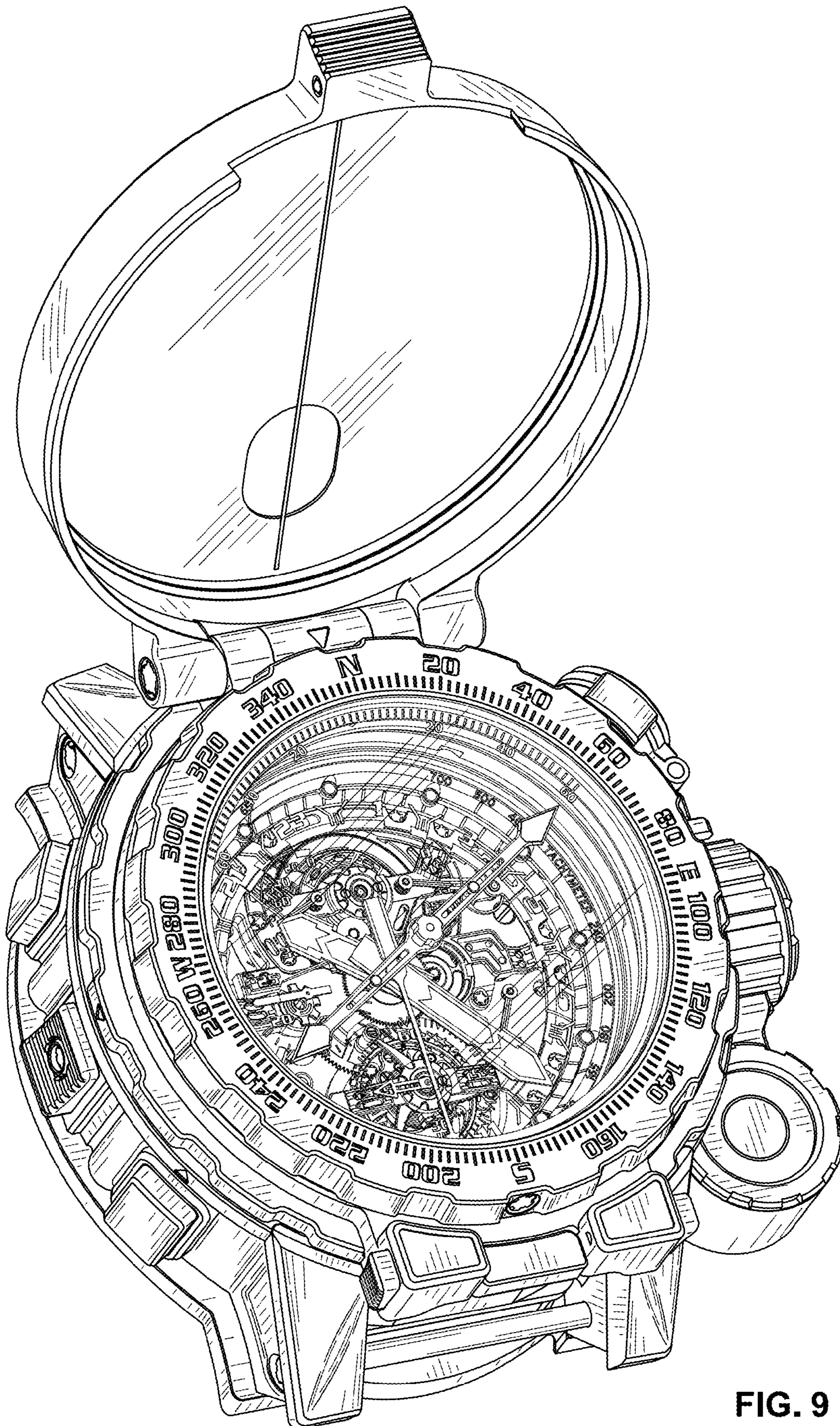


FIG. 9

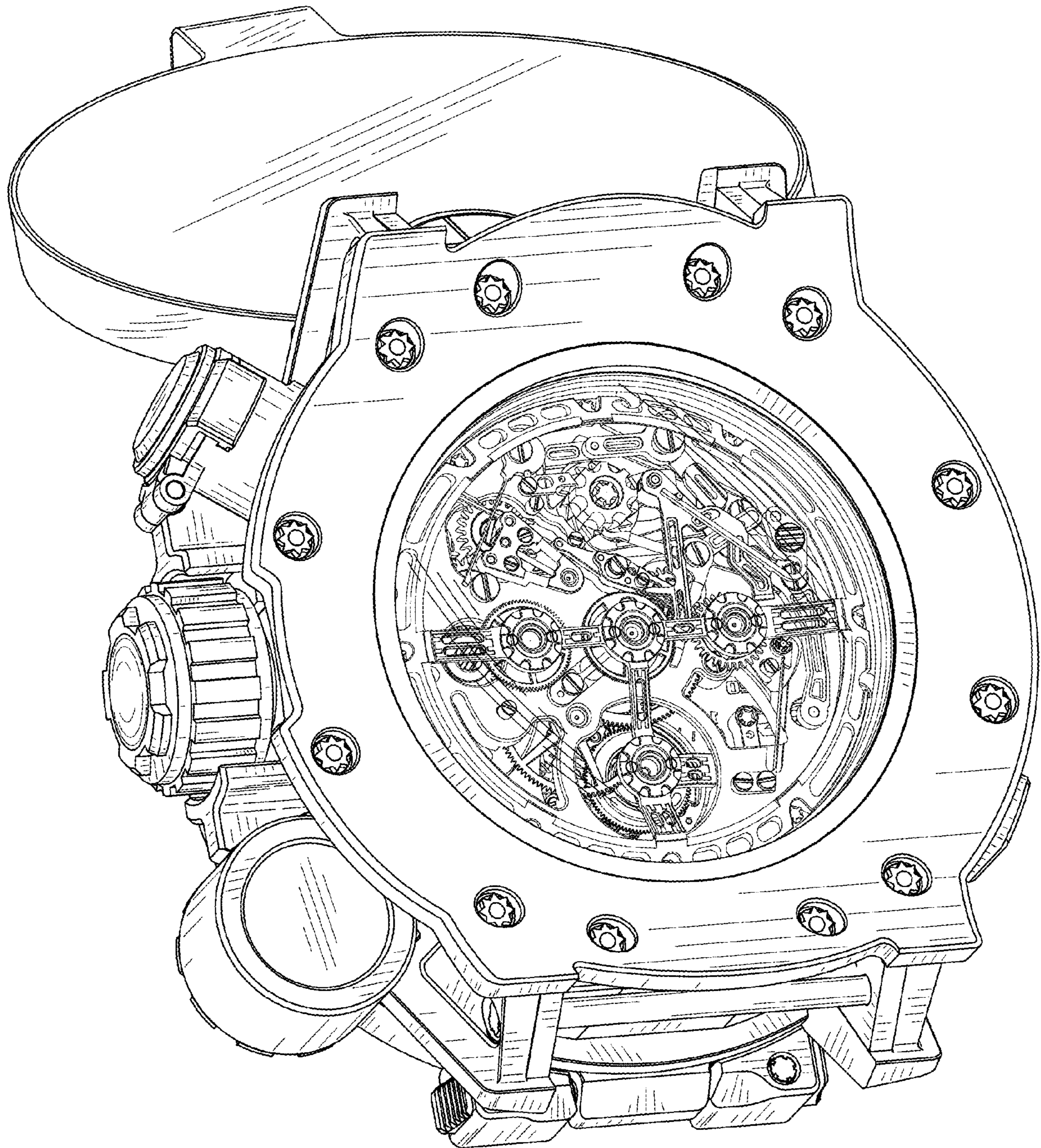


FIG. 10

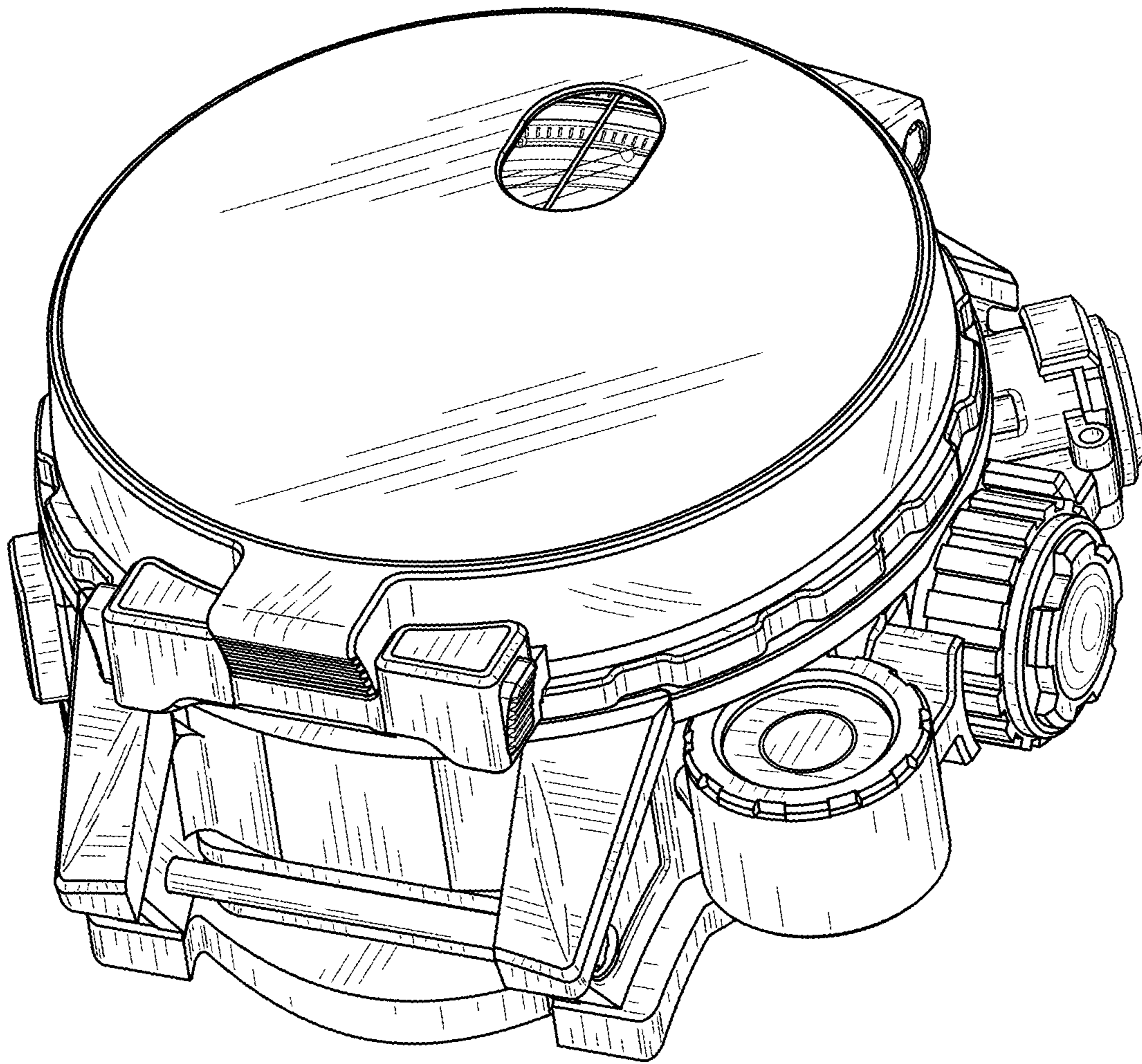


FIG. 11

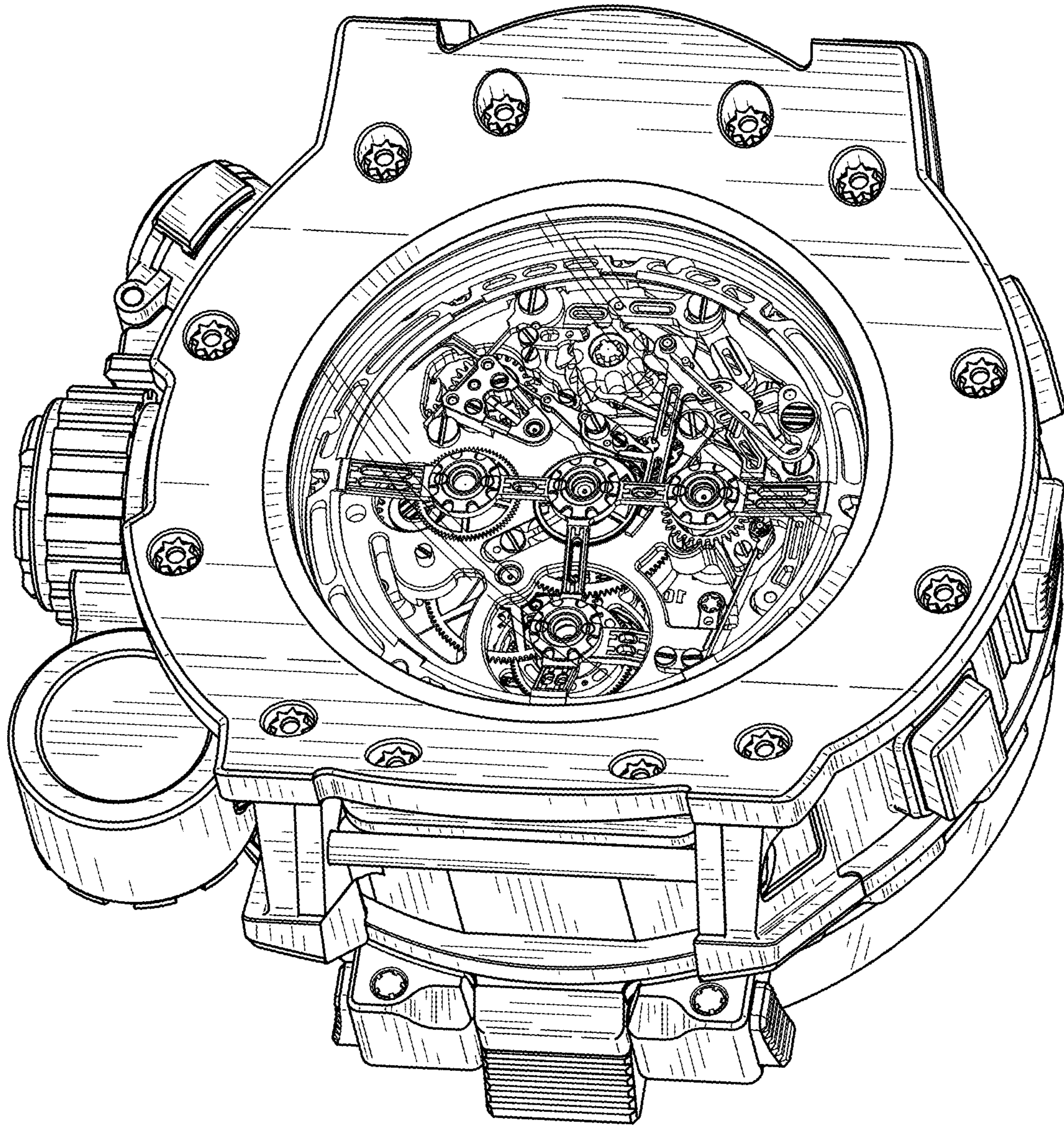


FIG. 12

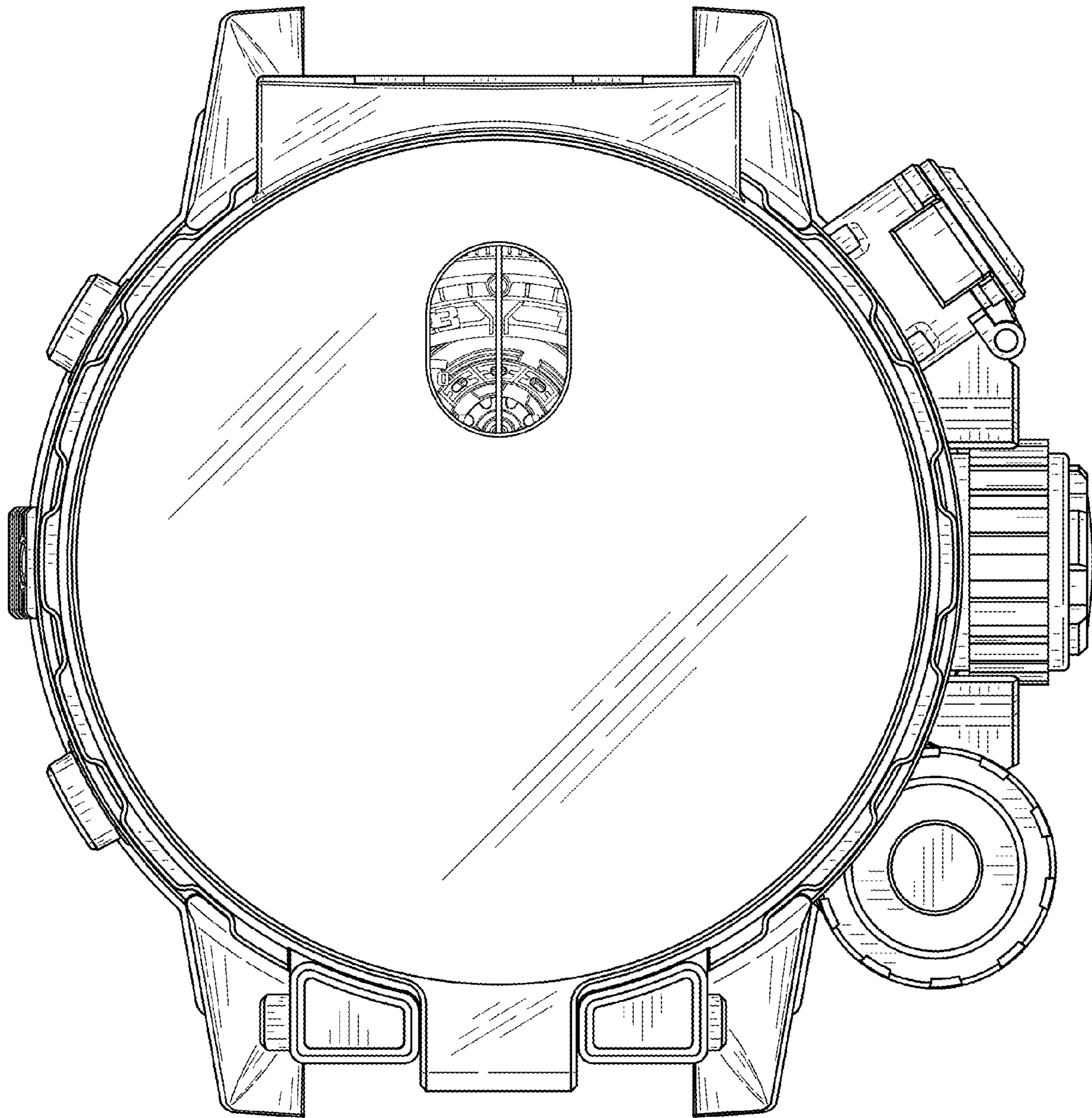


FIG. 13

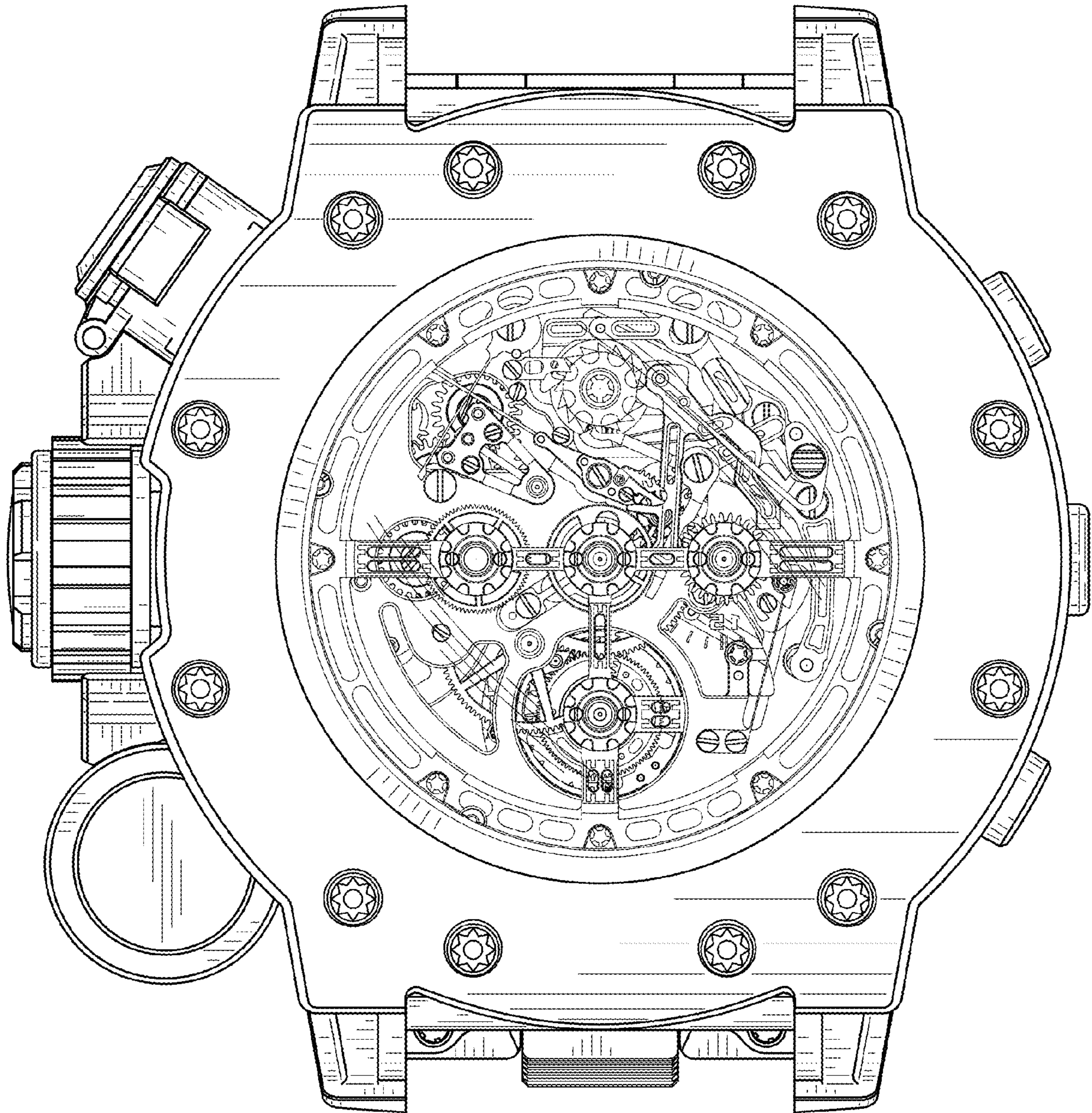


FIG. 14

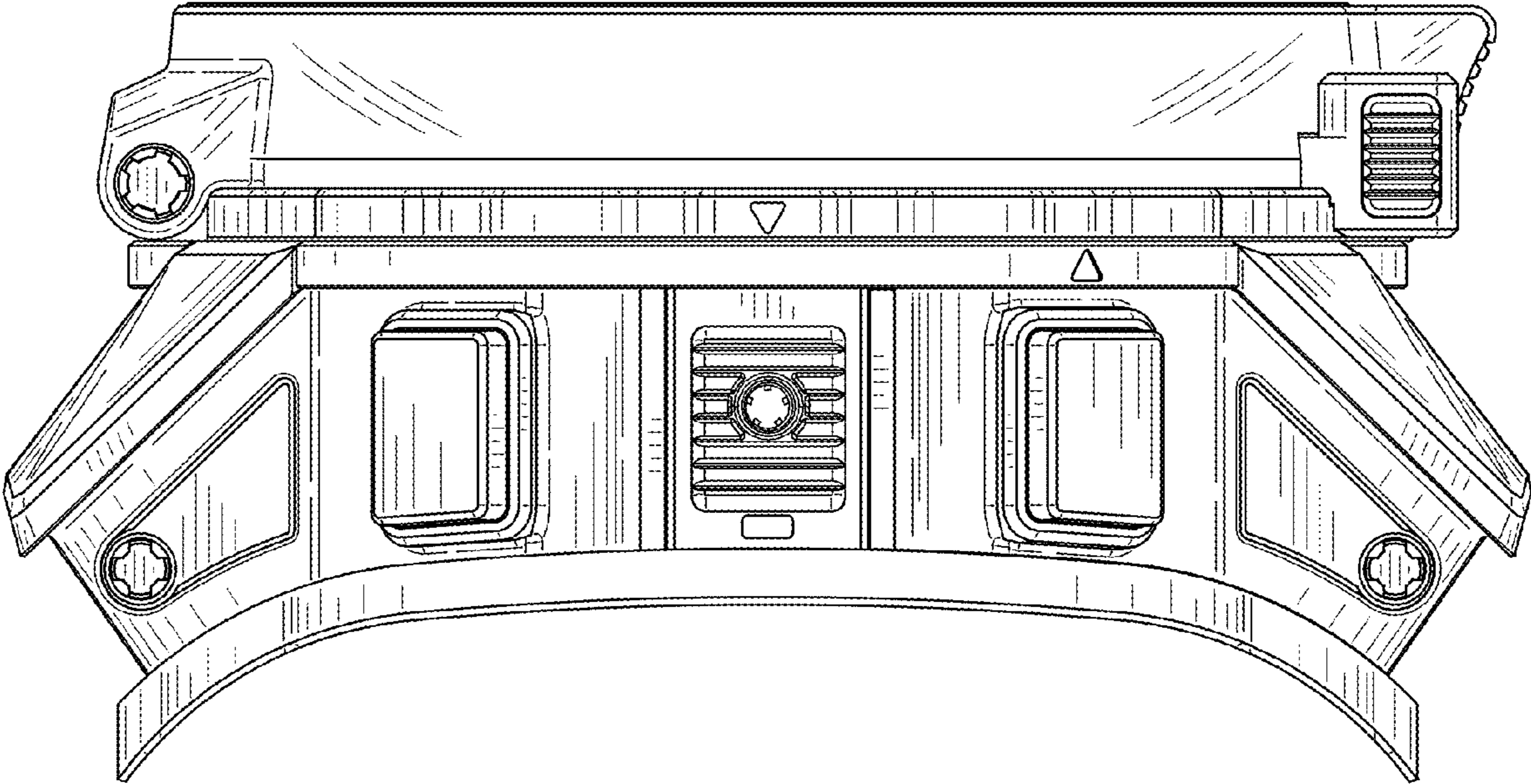


FIG. 15

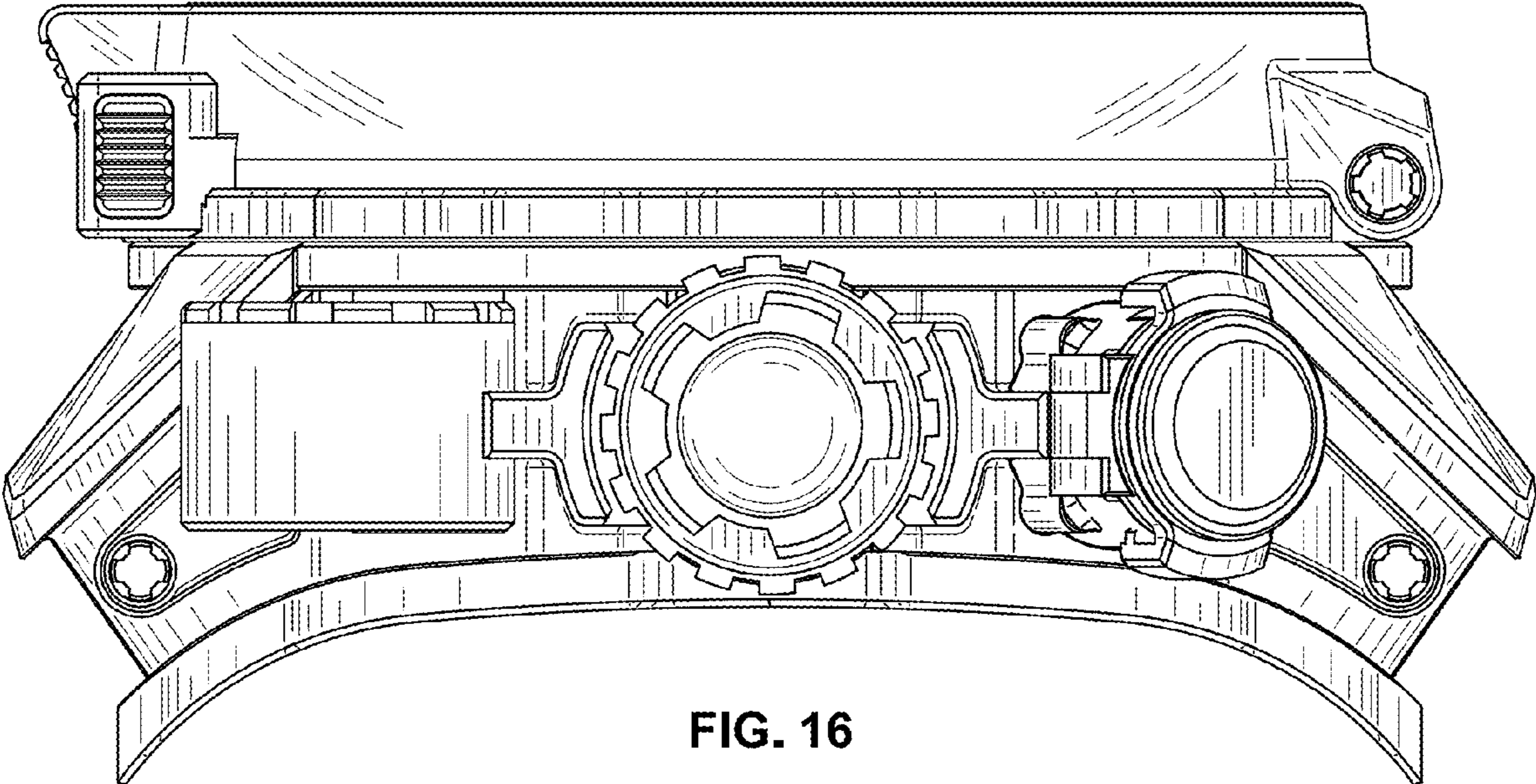


FIG. 16

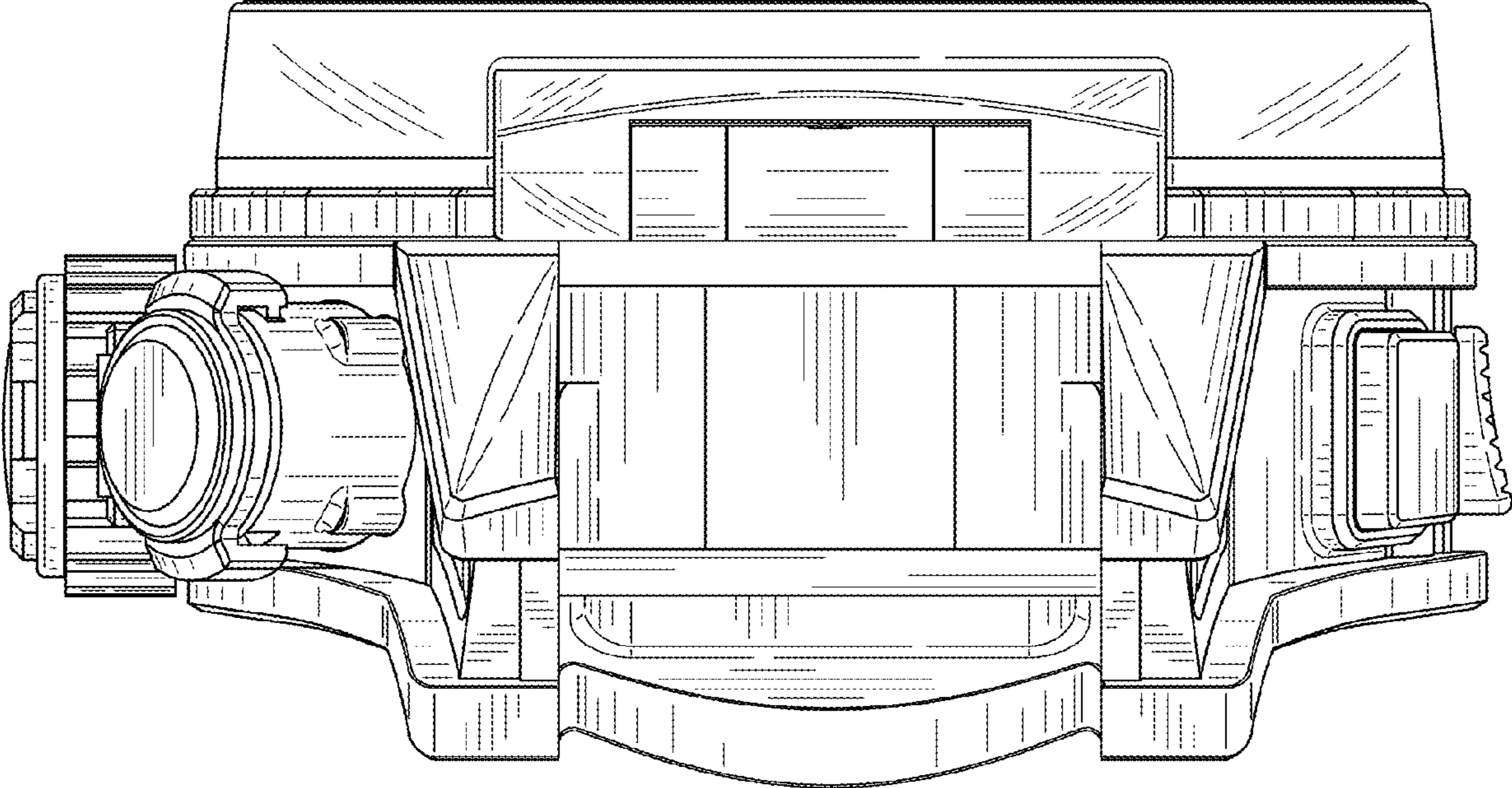


FIG. 17

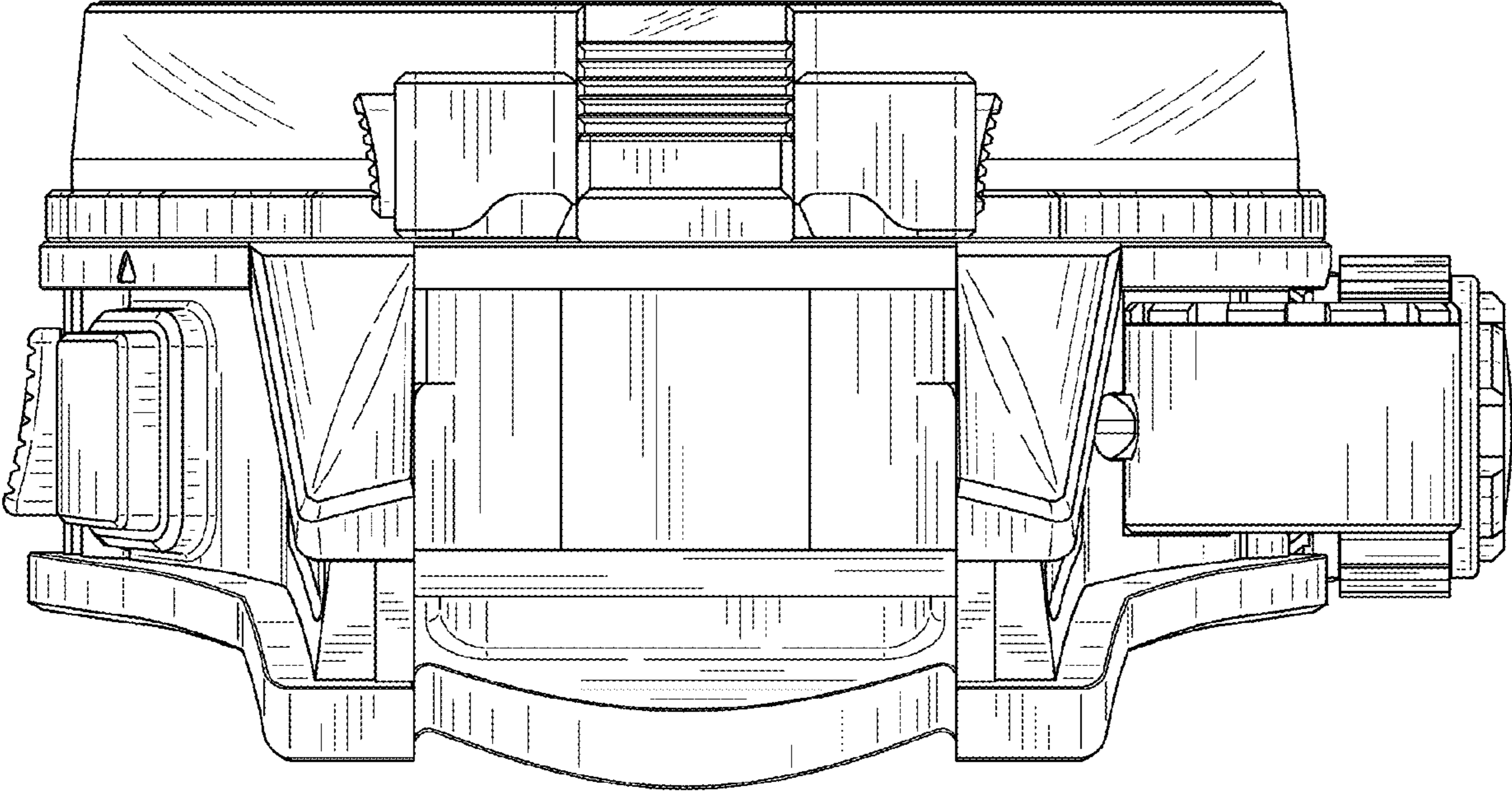


FIG. 18

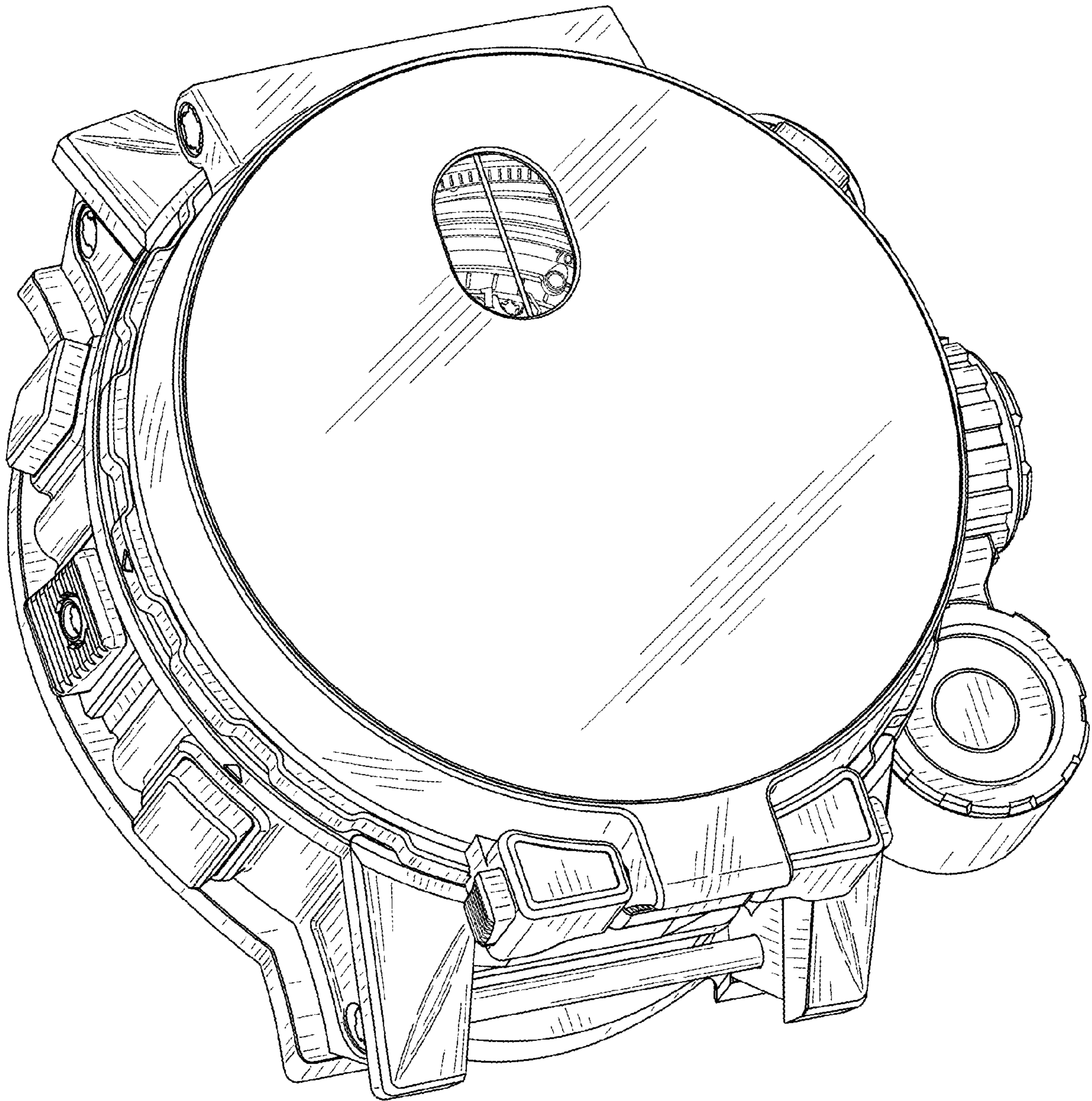


FIG. 19

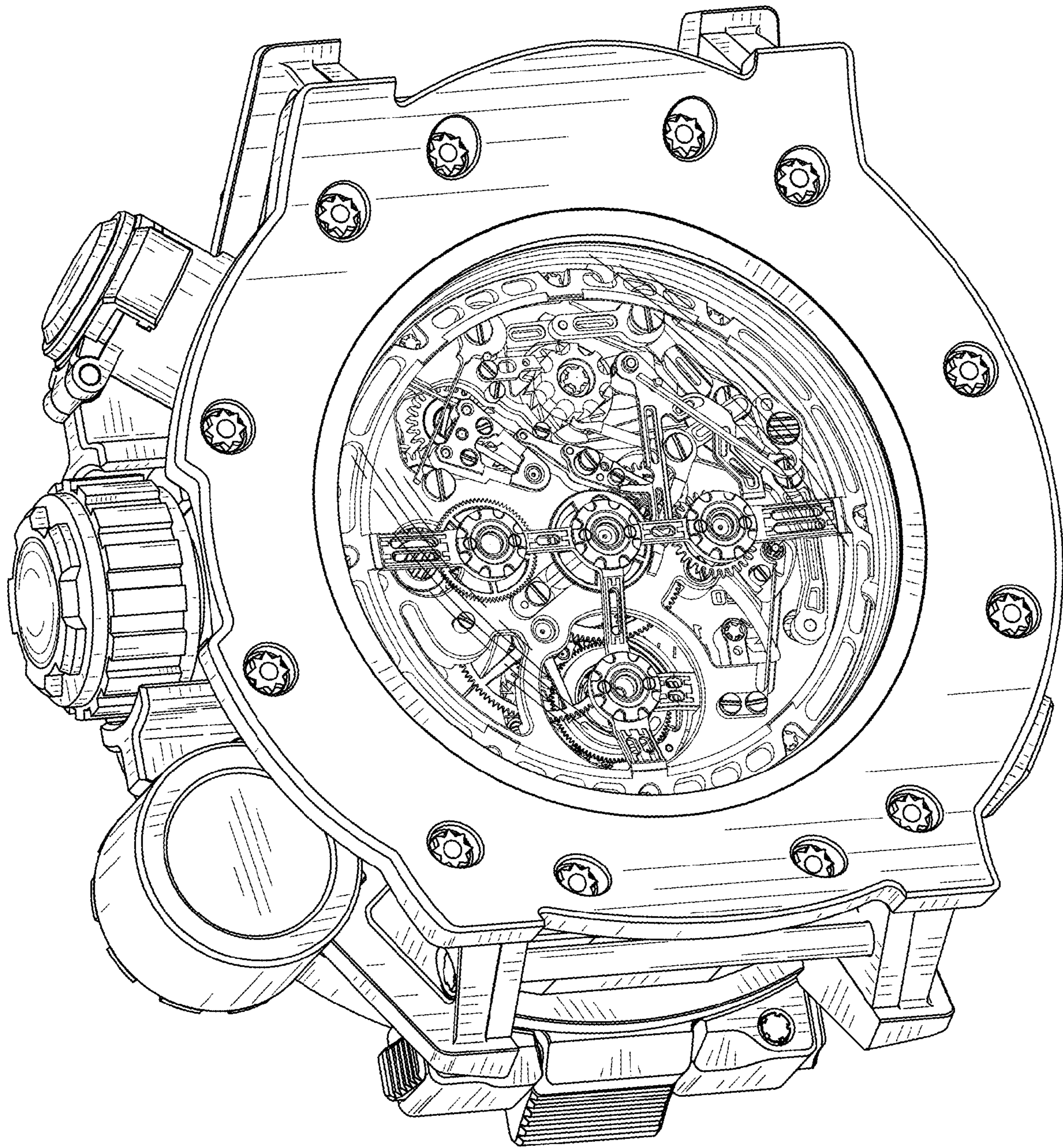


FIG. 20